

ETSI TS 133 128 V18.10.0 (2025-01)



**Digital cellular telecommunications system (Phase 2+) (GSM);
Universal Mobile Telecommunications System (UMTS);
LTE;
5G;
Security;
Protocol and procedures for Lawful Interception (LI);
Stage 3
(3GPP TS 33.128 version 18.10.0 Release 18)**



Reference

RTS/TSGS-0333128via0

Keywords

5G,GSM,LTE,UMTS

ETSI

650 Route des Lucioles
F-06921 Sophia Antipolis Cedex - FRANCE

Tel.: +33 4 92 94 42 00 Fax: +33 4 93 65 47 16

Siret N° 348 623 562 00017 - APE 7112B
Association à but non lucratif enregistrée à la
Sous-Préfecture de Grasse (06) N° w061004871

Important notice

The present document can be downloaded from the
[ETSI Search & Browse Standards](#) application.

The present document may be made available in electronic versions and/or in print. The content of any electronic and/or print versions of the present document shall not be modified without the prior written authorization of ETSI. In case of any existing or perceived difference in contents between such versions and/or in print, the prevailing version of an ETSI deliverable is the one made publicly available in PDF format on [ETSI deliver repository](#).

Users should be aware that the present document may be revised or have its status changed, this information is available in the [Milestones listing](#).

If you find errors in the present document, please send your comments to the relevant service listed under [Committee Support Staff](#).

If you find a security vulnerability in the present document, please report it through our [Coordinated Vulnerability Disclosure \(CVD\)](#) program.

Notice of disclaimer & limitation of liability

The information provided in the present deliverable is directed solely to professionals who have the appropriate degree of experience to understand and interpret its content in accordance with generally accepted engineering or other professional standard and applicable regulations.

No recommendation as to products and services or vendors is made or should be implied.

No representation or warranty is made that this deliverable is technically accurate or sufficient or conforms to any law and/or governmental rule and/or regulation and further, no representation or warranty is made of merchantability or fitness for any particular purpose or against infringement of intellectual property rights.

In no event shall ETSI be held liable for loss of profits or any other incidental or consequential damages.

Any software contained in this deliverable is provided "AS IS" with no warranties, express or implied, including but not limited to, the warranties of merchantability, fitness for a particular purpose and non-infringement of intellectual property rights and ETSI shall not be held liable in any event for any damages whatsoever (including, without limitation, damages for loss of profits, business interruption, loss of information, or any other pecuniary loss) arising out of or related to the use of or inability to use the software.

Copyright Notification

No part may be reproduced or utilized in any form or by any means, electronic or mechanical, including photocopying and microfilm except as authorized by written permission of ETSI.

The content of the PDF version shall not be modified without the written authorization of ETSI.

The copyright and the foregoing restriction extend to reproduction in all media.

© ETSI 2025.
All rights reserved.

Intellectual Property Rights

Essential patents

IPRs essential or potentially essential to normative deliverables may have been declared to ETSI. The declarations pertaining to these essential IPRs, if any, are publicly available for **ETSI members and non-members**, and can be found in ETSI SR 000 314: "*Intellectual Property Rights (IPRs); Essential, or potentially Essential, IPRs notified to ETSI in respect of ETSI standards*", which is available from the ETSI Secretariat. Latest updates are available on the [ETSI IPR online database](#).

Pursuant to the ETSI Directives including the ETSI IPR Policy, no investigation regarding the essentiality of IPRs, including IPR searches, has been carried out by ETSI. No guarantee can be given as to the existence of other IPRs not referenced in ETSI SR 000 314 (or the updates on the ETSI Web server) which are, or may be, or may become, essential to the present document.

Trademarks

The present document may include trademarks and/or tradenames which are asserted and/or registered by their owners. ETSI claims no ownership of these except for any which are indicated as being the property of ETSI, and conveys no right to use or reproduce any trademark and/or tradename. Mention of those trademarks in the present document does not constitute an endorsement by ETSI of products, services or organizations associated with those trademarks.

DECT™, **PLUGTESTS™**, **UMTS™** and the ETSI logo are trademarks of ETSI registered for the benefit of its Members. **3GPP™**, **LTE™** and **5G™** logo are trademarks of ETSI registered for the benefit of its Members and of the 3GPP Organizational Partners. **oneM2M™** logo is a trademark of ETSI registered for the benefit of its Members and of the oneM2M Partners. **GSM®** and the GSM logo are trademarks registered and owned by the GSM Association.

Legal Notice

This Technical Specification (TS) has been produced by ETSI 3rd Generation Partnership Project (3GPP).

The present document may refer to technical specifications or reports using their 3GPP identities. These shall be interpreted as being references to the corresponding ETSI deliverables.

The cross reference between 3GPP and ETSI identities can be found at [3GPP to ETSI numbering cross-referencing](#).

Modal verbs terminology

In the present document "**shall**", "**shall not**", "**should**", "**should not**", "**may**", "**need not**", "**will**", "**will not**", "**can**" and "**cannot**" are to be interpreted as described in clause 3.2 of the [ETSI Drafting Rules](#) (Verbal forms for the expression of provisions).

"**must**" and "**must not**" are **NOT** allowed in ETSI deliverables except when used in direct citation.

Contents

Intellectual Property Rights	2
Legal Notice	2
Modal verbs terminology.....	2
Foreword.....	20
Introduction	20
1 Scope	21
2 References	21
3 Definitions, symbols and abbreviations	26
3.1 Definitions	26
3.2 Symbols.....	26
3.3 Abbreviations	26
4 General	27
4.1 Introduction	27
4.2 Basic principles for internal interfaces	29
4.3 Basic principles for external handover interfaces.....	30
4.4 Service scoping	31
4.4.1 General.....	31
4.4.2 CSP service type	31
4.4.3 Delivery type	31
4.4.4 Location Reporting	32
4.4.5 LALS Triggering	32
4.4.6 Roaming Interception	32
4.5 LI product filtering	32
4.5.1 General.....	32
4.5.2 Traffic policies.....	32
5 Transport and Communications Protocol.....	33
5.1 General	33
5.2 Protocols for LI_X1 and LI_T interfaces	33
5.2.1 General usage of ETSI TS 103 221-1	33
5.2.2 Usage for realising LI_X1	33
5.2.3 Usage for realising LI_X1 (management)	34
5.2.4 Service scoping	34
5.2.5 Usage for realising LI_T2.....	34
5.2.6 Usage for realising LI_T3.....	35
5.2.7 Usage for realising LI_XEM1	35
5.2.8 Traffic policies.....	36
5.3 Protocols for LI_X2 and LI_X3	36
5.3.1 General usage of ETSI TS 103 221-2	36
5.3.2 Usage for realising LI_X2	37
5.3.3 Usage for realising LI_X3	38
5.3.4 Service scoping	39
5.3.5 Usage for realising LI_X2_LA	39
5.4 Protocols for LI_HI1	39
5.4.1 General.....	39
5.4.2 Service scoping	39
5.4.3 Location acquisition.....	40
5.4.4 Traffic policies.....	40
5.5 Protocols for LI_HI2 and LI_HI3.....	40
5.5.1 General.....	40
5.5.2 Usage for realising LI_HI2	41
5.5.3 Usage for realising LI_HI3	42
5.5.4 Service scoping	43

5.5.5	IRI Target Identifiers	43
5.6	Protocols for LI_HI4	43
5.6.1	General.....	43
5.6.2	Usage for realising LI_HI4.....	43
5.7	Protocols for LI_HIQR.....	43
5.7.1	General.....	43
5.7.2	Usage for realising LI_HIQR.....	44
5.7.2.1	Request structure	44
5.7.2.2	Request parameters	44
5.7.2.3	Response structure	46
5.8	Protocols for LI_XQR.....	47
5.8.1	General.....	47
5.8.2	Identity association requests	47
5.8.3	Ongoing identity association requests.....	48
5.8.4	Latest association requests.....	48
5.9	Protocols for LI_XER	49
5.10	Protocols for LI_ST interface.....	49
5.10.1	Overview	49
5.10.2	Storage	49
5.10.3	Retrieval.....	49
5.10.4	Removal.....	49
5.11	Protocols for LI_HILA	50
5.11.1	General.....	50
5.11.2	Usage for realising LI_HILA.....	50
5.11.2.1	Request structure.....	50
5.11.2.2	Request parameters	50
5.11.2.3	Response structure	51
5.12	Protocols for LI_XLA	52
5.12.1	General.....	52
5.12.2	Usage for realising LI_XLA	52
6	Network Layer Based Interception.....	53
6.1	Introduction	53
6.2	5G.....	53
6.2.1	General.....	53
6.2.2	LI at AMF	53
6.2.2.1	Provisioning over LI_X1.....	53
6.2.2.2	Generation of xIRI over LI_X2.....	54
6.2.2.2.1	General	54
6.2.2.2.1A	Simple data types for AMF	55
6.2.2.2.2	Registration	55
6.2.2.2.3	Deregistration	57
6.2.2.2.4	Location update	58
6.2.2.2.5	Start of interception with registered UE.....	59
6.2.2.2.6	AMF unsuccessful procedure	61
6.2.2.2.7	AMF identifier association	62
6.2.2.2.8	Positioning info transfer	63
6.2.2.2.9	Handovers.....	63
6.2.2.2.10	UE Configuration Update	65
6.2.2.2.11	Trace.....	66
6.2.2.2.11.1	General.....	66
6.2.2.2.11.2	AMF RAN trace report	67
6.2.2.2.12	UE policy transfer.....	68
6.2.2.2.13	Service Accept.....	68
6.2.2.2A	Definitions for AMF message Types	69
6.2.2.2A.1	Type: InitialRANUEContextSetup.....	69
6.2.2.2A.2	Type: PDUSessionSetupRequestItem	71
6.2.2.2A.3	Type: UERadioCapability	71
6.2.2.2A.4	Type: UERadioCapabilityForPaging.....	71
6.2.2.2A.5	Type: NRv2XServicesAuthorization	71
6.2.2.2A.6	Type: LTEv2XServicesAuthorization	72
6.2.2.2A.7	Type: TargetNSSAInfo	72

6.2.2.2A.8	Type: FiveGProSeAuthorizationIndication	72
6.2.2.2A.9	Enumeration: IABAuthorizedIndicator	73
6.2.2.2A.10	Enumeration: V2XUEAuthorizationIndicator	73
6.2.2.2A.11	Enumeration: FiveGProSeAuthorizationIndicator	73
6.2.2.3	Generation of IRI over LI_HI2	73
6.2.2.4	Identity privacy	74
6.2.2A	Identifier Reporting for AMF	74
6.2.2A.1	Activation of reporting over LI_XEM1	74
6.2.2A.2	Generation of records over LI_XER	75
6.2.2A.2.2	Association Events	75
6.2.2A.2.3	Transmission to the ICF	76
6.2.2A.2.4	Additional location reporting.....	76
6.2.2A.2.4.1	Type: AdditionalCGIs.....	76
6.2.2A.2.4.2	Type: AdditionalNCGI	77
6.2.3	LI for SMF/UPF	77
6.2.3.1	Provisioning over LI_X1.....	77
6.2.3.1.1	General	77
6.2.3.1.2	Provisioning of the IRI-POI, IRI-TF and CC-TF in the SMF	77
6.2.3.1.3	Provisioning of the MDF2.....	78
6.2.3.1.4	Provisioning of the MDF3.....	79
6.2.3.2	Generation of xIRI at IRI-POI in SMF over LI_X2.....	80
6.2.3.2.1	General	80
6.2.3.2.2	PDU session establishment.....	80
6.2.3.2.3	PDU session modification	85
6.2.3.2.4	PDU session release	89
6.2.3.2.5	Start of interception with an established PDU session	90
6.2.3.2.6	SMF unsuccessful procedure.....	92
6.2.3.2.7	MA PDU sessions.....	94
6.2.3.2.8	PDU to MA PDU session modification.....	106
6.2.3.3	Triggering of the CC-POI from CC-TF over LI_T3	107
6.2.3.3.1	LI_T3 interface specifics	107
6.2.3.3.2	CC interception with multi-homed PDU session.....	109
6.2.3.3.3	CC Interception only at PDU Session Anchor UPFs.....	109
6.2.3.4	IRI-POI in UPF triggering over LI_T2	110
6.2.3.5	Generation of xIRI at UPF over LI_X2.....	111
6.2.3.5.1	Packet data header reporting.....	111
6.2.3.5.2	Fragmentation.....	111
6.2.3.5.3	Packet Data Header Report (PDHR)	111
6.2.3.5.4	Packet Data Summary Report (PDSR).....	111
6.2.3.6	Generation of xCC at CC-POI in the UPF over LI_X3.....	111
6.2.3.7	Generation of IRI over LI_HI2	112
6.2.3.8	Generation of CC over LI_HI3	113
6.2.3.9	Packet header information reporting	113
6.2.3.9.1	General	113
6.2.3.9.2	Provisioning details	114
6.2.3.9.3	PDHeaderReport record	114
6.2.3.9.4	PDSummaryReport record	115
6.2.3.9.5	Usage of the Internet Protocol Packet Reporting record	117
6.2.3.10	Sharing LI state information over LI_ST	117
6.2.3.10.1	Overview	117
6.2.3.10.2	Storing LI state	117
6.2.3.10.3	Retrieving LI state	118
6.2.3.10.4	Removing LI state	119
6.2.4	LI at UDM for 5G.....	119
6.2.4.1	General description	119
6.2.5	LI at SMSF	119
6.2.5.1	Provisioning over LI_X1.....	119
6.2.5.2	Generation of xIRI over LI_X2.....	120
6.2.5.3	SMS Message.....	120
6.2.5.4	Generation of IRI over LI_HI2	124
6.2.6	LI support at NRF.....	124
6.3	4G.....	124

6.3.1	General.....	124
6.3.2	LI at MME.....	125
6.3.2.1	Provisioning over LI_X1.....	125
6.3.2.2	Generation of xIRI over LI_X2.....	126
6.3.2.2.1	General.....	126
6.3.2.2.2	MME identifier association.....	126
6.3.2.2.3	Attach.....	127
6.3.2.2.4	Detach.....	129
6.3.2.2.5	Tracking Area/EPS Location update.....	130
6.3.2.2.6	Start of interception with EPS attached UE.....	131
6.3.2.2.7	MME unsuccessful procedure.....	133
6.3.2.2.8	Positioning info transfer.....	134
6.3.2.2.9	Handovers.....	134
6.3.2.2.10	Trace.....	136
6.3.2.2.10.1	General.....	136
6.3.2.2.10.2	MME RAN trace report.....	136
6.3.2.2.11	Service Accept.....	137
6.3.2.2A	Definitions for MME message Types.....	138
6.3.2.2A.1	Simple data types.....	138
6.3.2.2A.2	Type: EPSHandoverType.....	138
6.3.2.2A.3	Type: ERABContextList.....	138
6.3.2.2A.4	Type: ERABContext.....	139
6.3.2.2A.5	Type: ERABReleaseList.....	139
6.3.2.2A.6	Type: ERABError.....	139
6.3.2.2A.7	Type: EPSRANCause.....	140
6.3.2.2A.8	Type: EPSHandoverRestrictionList.....	140
6.3.2.2A.9	Type: EPSCSGInfo.....	140
6.3.2.2A.10	Type: EPSProSeAuthorization.....	140
6.3.2.2A.11	Type: EPSSubscriptionBasedUEDifferentiationIndication.....	141
6.3.2.2A.12	Type: S1Information.....	141
6.3.2.2A.13	Type: MMEServedGUMMEIList.....	141
6.3.2.2A.14	Type: MMEServedGUMMEI.....	142
6.3.2.2A.15	Type: EPSNASTransportInitialInformation.....	142
6.3.2.2A.16	Type: BBFTunnelInformation.....	142
6.3.2.2A.17	Type: LTENTNTAIInformation.....	143
6.3.2.2A.18	Type: EPSRANUEContext.....	143
6.3.2.2A.19	Enumeration: EPSCSFallbackIndicator.....	144
6.3.2.3	Generation of IRI over LI_HI2.....	144
6.3.2.3.1	General.....	144
6.3.2.3.2	Option A.....	144
6.3.2.3.3	Option B and Option C.....	145
6.3.3	LI at SGW/PGW and ePDG.....	145
6.3.3.0	General.....	145
6.3.3.1	Provisioning over LI_X1.....	145
6.3.3.1.1	General.....	145
6.3.3.1.2	Non-CUPS Architecture.....	147
6.3.3.1.3	CUPS Architecture.....	147
6.3.3.1.4	Provisioning of the MDF2.....	148
6.3.3.1.5	Provisioning of the MDF3.....	148
6.3.3.2	Generation of xIRI over LI_X2.....	149
6.3.3.2.1	General.....	149
6.3.3.2.2	PDU Session Establishment message reporting PDU session establishment or PDN Connection establishment.....	150
6.3.3.2.3	PDU Session Modification message reporting PDU session modification, PDN Connection modification or inter-system handover.....	154
6.3.3.2.4	PDU Session Release message reporting PDU session release, PDN Connection release.....	158
6.3.3.2.5	SMF Start of Interception with Already Established PDU Session message reporting Start of Interception with Already Established PDU Session or Start of Interception with Already Established PDN Connection.....	159
6.3.3.2.6	MA PDU Session Establishment message reporting MA PDU session establishment or PDN Connection establishment as part of an MA PDU Session.....	160

6.3.3.2.7	MA PDU Session Modification message reporting MA PDU session modification, modification of a PDN Connection associated to MA PDU session or inter-system handover	161
6.3.3.2.8	MA PDU Session Release message reporting MA PDU session release or the release of a PDN Connection associated to an MA PDU session.....	161
6.3.3.2.9	SMF Start of Interception with Already Established MA PDU Session message reporting Start of Interception with Already Established MA PDU Session or Start of Interception with Already Established PDN Connection associated to an MA PDU Session	162
6.3.3.2A	Triggering of the CC-POI from CC-TF over LI_T3	162
6.3.3.3	Generation of xCC at CC-POI in the SGW/PGW and ePDG over LI_X3.....	163
6.3.3.3.1	Non-CUPS architecture	163
6.3.3.3.2	CUPS architecture	163
6.3.3.4	Generation of IRI over LI_HI2	163
6.3.3.5	Generation of CC over LI_HI3	163
6.4	3G.....	164
7	Service Layer Based Interception.....	164
7.1	Introduction	164
7.2	Central Subscriber Management	164
7.2.1	General description.....	164
7.2.2	LI at UDM	164
7.2.2.1	General description	164
7.2.2.2	Provisioning over LI_X1.....	164
7.2.2.3	Generation of xIRI over LI_X2.....	164
7.2.2.3.1	General description.....	164
7.2.2.3.2	Serving system	165
7.2.2.3.3	Subscriber record change.....	165
7.2.2.3.4	Cancel location	168
7.2.2.3.5	Location information request.....	169
7.2.2.3.6	Location information result	169
7.2.2.3.7	UE information response	170
7.2.2.3.8	UE Authentication response	170
7.2.2.3.9	Start of Interception with UE registered at the UDM.....	171
7.2.2.3.10	Proximity services reporting at the UDM.....	171
7.2.2.3.10.1	General.....	171
7.2.2.3.10.2	ProSe target identifier deconcealment	172
7.2.2.3.10.3	ProSe target authentication	172
7.2.2.4	Generation of IRI over LI_HI2	172
7.2.3	LI at HSS	173
7.2.3.1	General	173
7.2.3.2	Provisioning over LI_X1.....	173
7.2.3.3	Generation of xIRI over LI_X2.....	173
7.2.3.3.1	General description.....	173
7.2.3.3.2	Serving system	174
7.2.3.3.3	Start of Interception with target registered at the HSS	174
7.2.3.4	Generation of IRI over LI_HI2	174
7.3	Location.....	175
7.3.1	Lawful Access Location Services (LALS)	175
7.3.1.1	General description	175
7.3.1.2	Provisioning over LI_X1.....	175
7.3.1.2.1	Target positioning service	175
7.3.1.2.2	Triggered location service.....	176
7.3.1.3	Triggering over LI_T2	177
7.3.1.4	Generation of xIRI over LI_X2.....	178
7.3.1.5	Generation of IRI over LI_HI2	179
7.3.2	Cell database information reporting.....	179
7.3.2.1	General description	179
7.3.2.2	Delivery of cell site information over LI_HI2	179
7.3.3	Use of the Location structure.....	180
7.3.3.1	General description	180
7.3.3.2	Location structure data types.....	181
7.3.3.2.1	Simple data types for location	181
7.3.3.2.2	Type: Location.....	183

7.3.3.2.3	Type: LocationInfo	184
7.3.3.2.4	Type: UserLocation	184
7.3.3.2.5	Type: EUTRALocation	185
7.3.3.2.6	Type: NRLocation	186
7.3.3.2.7	Type: N3GALocation	188
7.3.3.2.8	Type: UTRALocation	188
7.3.3.2.9	Type: GERALocation	189
7.3.3.2.10	Type: GeographicArea	190
7.3.3.2.11	Type: Point	191
7.3.3.2.12	Type: GeographicalCoordinates	191
7.3.3.2.13	Type: PointUncertaintyCircle	191
7.3.3.2.14	Type: PointUncertaintyEllipse	192
7.3.3.2.15	Type: UncertaintyEllipse	192
7.3.3.2.16	Type: Polygon	192
7.3.3.2.17	Type: PointAltitude	193
7.3.3.2.18	Type: PointAltitudeUncertainty	193
7.3.3.2.19	Type: EllipsoidArc	193
7.3.3.2.20	Enumeration: RATType	194
7.3.3.2.21	Type: CellInformation	194
7.3.3.2.22	Type: RANCGI	194
7.3.3.2.23	Type: TAI	195
7.3.3.2.24	Type: ECGI	195
7.3.3.2.25	Type: GlobalRANNodeID	195
7.3.3.2.26	Type: ANNodeID	195
7.3.3.2.27	Type: NgENBID	196
7.3.3.2.28	Type: NCGI	196
7.3.3.2.29	Type: IPAddr	196
7.3.3.2.30	Type: TNAPID	197
7.3.3.2.31	Type: TWAPID	197
7.3.3.2.32	Enumeration: W5GBANLineType	197
7.3.3.2.33	Enumeration: TransportProtocol	198
7.3.3.2.34	Type: PLMNID	198
7.3.3.2.35	Type: ENbID	198
7.3.3.2.36	Type: PositioningInfo	198
7.3.3.2.37	Type: LocationData	199
7.3.3.2.38	Type: RawMLPResponse	200
7.3.3.2.39	Type: VelocityEstimate	201
7.3.3.2.40	Type: CivicAddress	201
7.3.3.2.41	Type: PositioningMethodAndUsage	203
7.3.3.2.42	Type: GNSSPositioningMethodAndUsage	203
7.3.3.2.43	Type: HorizontalVelocity	203
7.3.3.2.44	Type: HorizontalWithVerticalVelocity	203
7.3.3.2.45	Type: HorizontalVelocityWithUncertainty	204
7.3.3.2.46	Type: HorizontalWithVerticalVelocityAndUncertainty	204
7.3.3.2.47	Type: LocationPresenceReport	204
7.3.3.2.48	Type: AMFEventArea	205
7.3.3.2.49	Type: RMInfo	205
7.3.3.2.50	Type: CMInfo	206
7.3.3.2.51	Enumeration: AccuracyFulfilmentIndicator	206
7.3.3.2.52	Enumeration: PositioningMethod	206
7.3.3.2.53	Enumeration: PositioningMode	207
7.3.3.2.54	Enumeration: GNSSID	207
7.3.3.2.55	Enumeration: Usage	207
7.3.3.2.56	Enumeration: VerticalDirection	208
7.3.3.2.57	Type: IMSLocation	208
7.3.3.2.58	Type: PANIHeaderInfo	208
7.3.3.2.59	Type: SIPGeolocationHeaderInfo	209
7.3.3.2.60	Type: SIPLocationInfo	209
7.3.3.2.61	Type: SIPCNHeaderInfo	209
7.3.3.2.62	Type: PresenceInfo	210
7.3.3.2.63	Type: LADNInfo	210
7.3.3.2.64	Enumeration: AMFEventType	211

7.3.3.2.65	Enumeration: AccessType	211
7.3.3.2.66	Enumeration: UEReachability	211
7.3.3.2.67	Enumeration: RMState	211
7.3.3.2.68	Enumeration: CMState	212
7.3.3.2.69	Enumeration: PresenceState	212
7.3.3.2.70	Type: FourGPositioningInfo	212
7.3.3.2.71	Type: FourGLocationInfo	213
7.3.3.2.72	Type: CGI	213
7.3.3.2.73	Type: SAI	214
7.3.3.2.74	Type: ESMLCCellInfo	214
7.3.3.2.75	Type: GERANPositioningInfo	214
7.3.3.2.76	Type: UTRANPositioningInfo	215
7.3.3.2.77	Type: EPSLocationInformation	215
7.3.3.2.78	Type: MMELocationInformation	215
7.3.3.2.79	Type: SGSNLocationInformation	216
7.3.3.2.80	Type: UserCSGInformation	217
7.3.3.2.81	Type: LAI	217
7.3.3.2.82	Type: RAI	218
7.3.3.2.83	Enumeration: CSGAccessMode	218
7.3.3.2.84	Enumeration: CSGMembershipIndication	218
7.3.3.3	Reference datum	218
7.3.4	Separated location reporting	219
7.3.4.1	General description	219
7.3.5	Location acquisition	219
7.3.5.1	General description	219
7.3.5.2	Acquisition request over LI_HILA	220
7.3.5.3	Acquisition request over LI_XLA	220
7.3.5.4	Location acquisition procedure at the LARF	220
7.3.5.4.1	General description	220
7.3.5.4.2	Location acquisition procedure at the LARF in case of EPC	220
7.3.5.4.3	Location acquisition procedure at the LARF in case of 5GC	220
7.3.5.5	Location acquisition delivery via the LI_HILA	221
7.3.5.5.1	Location acquisition response over LI_XLA	221
7.3.5.5.2	Location acquisition response over LI_HILA	221
7.3.5.6	Location acquisition delivery via the LI_HI2	221
7.3.5.6.1	Provisioning of the MDF2	221
7.3.5.6.2	LI_X2_LA delivery	222
7.3.5.6.3	LI_HI2 delivery	222
7.3.6	Location Only Reporting	222
7.3.6.1	General Information	222
7.3.6.2	Provisioning Information	222
7.3.6.3	Generation of Location Only xIRI	223
7.3.6.3.1	General	223
7.3.6.3.2	Location Only xIRI in 5GS	223
7.3.6.3.3	Location Only xIRI in EPS	223
7.3.6.4	Generation of Location Only IRI	223
7.4	Messaging	224
7.4.1	Introduction	224
7.4.2	LI at the MMS Proxy-Relay	224
7.4.2.1	Provisioning over LI_X1	224
7.4.2.2	Generation of xIRI over LI_X2	224
7.4.2.3	Generation of xCC over LI_X3	224
7.4.2.4	MMS Record Generation Cases	225
7.4.3	MMS Records	225
7.4.3.1	MMSSend	225
7.4.3.2	MMSSendByNonLocalTarget	227
7.4.3.2A	MMSConvertedFromEmail	229
7.4.3.3	MMSNotification	229
7.4.3.4	MMSSendToNonLocalTarget	230
7.4.3.4A	MMSConvertedToEmail	232
7.4.3.5	MMSNotificationResponse	233
7.4.3.6	MMSRetrieval	234

7.4.3.7	MMSDeliveryAck.....	236
7.4.3.8	MMSForward.....	236
7.4.3.9	MMSDeleteFromRelay.....	238
7.4.3.10	MMSMBoxStore.....	239
7.4.3.11	MMSMBoxUpload.....	239
7.4.3.12	MMSMBoxDelete.....	240
7.4.3.13	MMSDeliveryReport.....	240
7.4.3.14	MMSDeliveryReportNonLocalTarget.....	241
7.4.3.15	MMSReadReport.....	242
7.4.3.16	MMSReadReportNonLocalTarget.....	243
7.4.3.17	MMSCancel.....	244
7.4.3.18	MMSMBoxViewRequest.....	244
7.4.3.19	MMSMBoxViewResponse.....	245
7.4.3.20	MMSBoxDescription.....	246
7.4.3.21	MMS Content.....	248
7.4.4	IRI and CC Generation.....	248
7.4.4.1	Generation of IRI over LI_HI2.....	248
7.4.4.2	Generation of CC over LI_HI3.....	248
7.4.5	Redaction of unauthorised information from encapsulated messages.....	248
7.4.5.1	General.....	248
7.4.5.2	SMS Redaction.....	249
7.4.5.2.1	3GPP SMS Redaction.....	249
7.4.5.2.2	3GPP2 SMS Redaction.....	249
7.5	PTC service.....	249
7.5.1	Introduction.....	249
7.5.1.1	Provisioning over LI_X1.....	249
7.5.1.2	Generating xIRI over LI_X2.....	249
7.5.1.3	Generation of xCC over LI_X3.....	250
7.5.2	IRI events.....	250
7.5.2.1	PTC registration.....	250
7.5.2.2	PTC session initiation.....	250
7.5.2.3	PTC session abandon attempt.....	251
7.5.2.4	PTC session start.....	251
7.5.2.5	PTC session end.....	252
7.5.2.6	PTC start of interception.....	253
7.5.2.7	PTC pre-established session.....	254
7.5.2.8	PTC instant personal alert.....	255
7.5.2.9	PTC party join.....	255
7.5.2.10	PTC party drop.....	256
7.5.2.11	PTC party hold.....	256
7.5.2.12	PTC media modification.....	257
7.5.2.13	PTC group advertisement.....	257
7.5.2.14	PTC floor control.....	258
7.5.2.15	PTC target presence.....	259
7.5.2.16	PTC participant presence.....	260
7.5.2.17	PTC list management.....	260
7.5.2.18	PTC access policy.....	261
7.5.3	IRI and CC Generation.....	262
7.5.3.1	Generation of IRI over LI_HI2.....	262
7.5.3.2	Generation of CC over LI_HI3.....	263
7.6	Identifier Association Reporting.....	263
7.6.1	General.....	263
7.6.2	ICF.....	263
7.6.2.1	General.....	263
7.6.2.2	ICF receipt of records over LI_XER.....	263
7.6.2.3	ICF Query and Response over LI_XQR.....	263
7.6.2.4	ICF Identifier Association Event Handling.....	263
7.6.3	IQF.....	264
7.6.3.1	General.....	264
7.6.3.2	IQF Query and Response over LI_HIQR.....	265
7.6.3.3	IQF Query and Response over LI_XQR.....	265
7.7	LI at NEF.....	265

7.7.1	Provisioning over LI_X1	265
7.7.1.1	General	265
7.7.1.2	Provisioning of the IRI-POI and CC-POI in NEF	265
7.7.2	LI for NIDD using NEF	266
7.7.2.1	Generation of xIRI at IRI-POI in NEF over LI_X2	266
7.7.2.1.1	General	266
7.7.2.1.2	PDU session establishment	266
7.7.2.1.3	PDU session modification	266
7.7.2.1.4	PDU session release	267
7.7.2.1.5	Unsuccessful procedure	267
7.7.2.1.6	Start of interception with established PDU session	268
7.7.2.2	Generation of xCC at CC-POI in NEF over LI_X3	268
7.7.2.3	Generation of IRI over LI_HI2	269
7.7.2.4	Generation of CC over LI_HI3	269
7.7.3	LI for device triggering	269
7.7.3.1	Generation of xIRI LI_X2 at IRI-POI in NEF over LI_X2	269
7.7.3.1.1	General	269
7.7.3.1.2	Device trigger	269
7.7.3.1.3	Device trigger replace	270
7.7.3.1.4	Device trigger cancellation	270
7.7.3.1.5	Device trigger report notification	271
7.7.3.2	Generation of IRI over LI_HI2	271
7.7.4	LI for MSISDN-less MO SMS	272
7.7.4.1	Generation of xIRI LI_X2 at IRI-POI in NEF over LI_X2	272
7.7.4.1.1	General	272
7.7.4.1.2	MSISDN-less MO SMS	272
7.7.4.2	Generation of IRI over LI_HI2	272
7.7.5	LI for parameter provisioning	273
7.7.5.1	Generation of xIRI LI_X2 at IRI-POI in NEF over LI_X2	273
7.7.5.1.1	General	273
7.7.5.1.2	Expected UE behaviour update	273
7.7.5.2	Generation of IRI over LI_HI2	273
7.7.6	LI for AF session with QoS	274
7.7.6.1	Generation of xIRI at IRI-POI in NEF over LI_X2	274
7.7.6.1.1	General	274
7.7.6.1.2	AF session with QoS provision	274
7.7.6.1.3	AF session with QoS notification	275
7.7.6.2	Generation of IRI over LI_HI2	275
7.8	LI at SCEF	275
7.8.1	Provisioning over LI_X1	275
7.8.1.1	General	275
7.8.1.2	Provisioning of the IRI-POI and CC-POI in SCEF	276
7.8.2	LI for NIDD using SCEF	276
7.8.2.1	Generation of xIRI at IRI-POI in SCEF over LI_X2	276
7.8.2.1.1	General	276
7.8.2.1.2	SCEF PDN connection establishment	276
7.8.2.1.3	PDN connection update	277
7.8.2.1.4	PDN connection release	278
7.8.2.1.5	Unsuccessful procedure	279
7.8.2.1.6	Start of interception with established PDN connection	280
7.8.2.2	Generation of xCC at CC-POI in SCEF over LI_X3	280
7.8.2.3	Generation of IRI over LI_HI2	280
7.8.2.4	Generation of CC over LI_HI3	281
7.8.3	LI for device triggering	281
7.8.3.1	Generation of xIRI LI_X2 at IRI-POI in SCEF over LI_X2	281
7.8.3.1.1	General	281
7.8.3.1.2	Device trigger	281
7.8.3.1.3	Device trigger replacement	282
7.8.3.1.4	Device trigger cancellation	282
7.8.3.1.5	Device trigger report notification	283
7.8.3.2	Generation of IRI over LI_HI2	283
7.8.4	LI for MSISDN-less MO SMS	284

7.8.4.1	Generation of xIRI LI_X2 at IRI-POI in SCEF over LI_X2.....	284
7.8.4.1.1	General	284
7.8.4.1.2	MSISDN-less MO SMS	284
7.8.4.2	Generation of IRI over LI_HI2	284
7.8.5	LI for parameter provisioning.....	285
7.8.5.1	Generation of xIRI LI_X2 at IRI-POI in SCEF over LI_X2.....	285
7.8.5.1.1	General	285
7.8.5.1.2	Communication pattern update.....	285
7.8.5.2	Generation of IRI over LI_HI2	286
7.8.6	LI for AS session with QoS	286
7.8.6.1	Generation of xIRI at IRI-POI in SCEF over LI_X2	286
7.8.6.1.1	General	286
7.8.6.1.2	AS session with QoS provision	286
7.8.6.1.3	AS session with QoS notification.....	287
7.8.6.2	Generation of IRI over LI_HI2	287
7.9	LI for services encrypted by CSP-provided keys	288
7.9.1	LI for general AKMA-based service	288
7.9.1.1	General.....	288
7.9.1.2	Provisioning over LI_X1.....	288
7.9.1.2.1	General	288
7.9.1.2.2	Provisioning of the IRI-POI and IRI-TF in AAnF	288
7.9.1.2.3	Triggering of the IRI-POI in AF.....	289
7.9.1.3	Generation of xIRI at IRI-POI in AAnF over LI_X2.....	289
7.9.1.3.1	General	289
7.9.1.3.2	AAnF Anchor Key Register	289
7.9.1.3.3	AAnF AKMA application key get.....	290
7.9.1.3.4	AAnF Start of intercept with established AKMA key material.....	290
7.9.1.3.5	AAnF AKMA context removal	290
7.9.1.4	Generation of xIRI at IRI-POI in AF over LI_X2.....	291
7.9.1.4.1	General	291
7.9.1.4.2	AF Application key refresh	291
7.9.1.4.3	AF Start of intercept with established AKMA application key	291
7.9.1.4.4	AF Auxiliary security parameter establishment	291
7.9.1.4.5	AF Application key removal	292
7.9.1.5	Generation of IRI over LI_HI2	292
7.10	LI in VPLMN for IMS-based services with home-routed roaming.....	292
7.10.1	Background.....	292
7.10.2	Backward compatibility.....	293
7.10.3	HR LI Phase 1.....	293
7.10.3.1	Overview.....	293
7.10.3.2	Provisioning over LI_X1.....	294
7.10.3.2.1	General	294
7.10.3.2.2	Provisioning of BBIFF-C and BBIFF.....	294
7.10.3.2.3	Provisioning of LMISF-IRI.....	294
7.10.3.3	Generation of xIRI over LI_X2_LITE.....	295
7.10.3.3.1	General	295
7.10.3.3.2	N9HR LI.....	295
7.10.3.3.3	S8HR LI	297
7.10.3.4	LMISF-IRI handling of xIRIs received over LI_X2_LITE.....	299
7.10.3.4.1	Handling of xIRIs.....	299
7.10.3.4.2	Handling of the stored record	299
7.10.3.5	Triggering of BBIFF-U from BBIFF-C over LI_T3	299
7.10.3.5.1	General	299
7.10.3.5.2	N9HR LI.....	300
7.10.3.5.3	S8HR LI	301
7.10.3.6	Generation of xCC over LI_X3_LITE_S.....	302
7.10.3.6.1	BBIFF-U.....	302
7.10.3.6.2	BBIFF.....	302
7.10.3.6.3	X3 PDU format.....	302
7.10.3.7	LMISF-IRI handling of xCC received over LI_X3_LITE_S.....	302
7.10.4	HR LI Phase 2.....	302
7.10.4.1	Overview.....	303

7.10.4.1.1	General	303
7.10.4.1.2	Service Scoping for Phase 2 of HR LI.....	303
7.10.4.2	Provisioning over LI_X1.....	303
7.10.4.2.1	General	303
7.10.4.2.2	Provisioning of LMISF-IRI.....	304
7.10.4.2.3	Provisioning of the MDF2.....	304
7.10.4.2.4	Provisioning of the MDF3.....	305
7.10.4.3	Generation of xIRI over LI_X2.....	306
7.10.4.3.1	General concepts	306
7.10.4.3.2	Target match.....	306
7.10.4.3.2.1	General.....	306
7.10.4.3.2.2	LMISF-IRI provisioned for voice.....	307
7.10.4.3.2.3	LMISF-IRI provisioned for messaging.....	307
7.10.4.3.3	xIRIs	308
7.10.4.4	Triggering of BBIFF-C from LMISF over LI_T1.....	308
7.10.4.4.1	General	308
7.10.4.4.2	N9HR LI.....	308
7.10.4.4.3	S8HR LI	309
7.10.4.5	Triggering of BBIFF-U from BBIFF-C over LI_T3.....	310
7.10.4.5.1	General	310
7.10.4.5.2	N9HR LI.....	310
7.10.4.5.3	S8HR LI	311
7.10.4.6	Generation of xCC over LI_X3_LITE_M.....	312
7.10.4.7	Generation of xCC over LI_X3.....	312
7.10.4.8	Correlation identifier	312
7.10.4.9	Generation of IRI over LI_HI2	313
7.10.4.10	Generation of CC over LI_HI3	313
7.11	STIR/SHAKEN and RCD/eCNAM	313
7.11.1	Provisioning over LI_X1	313
7.11.1.1	General	313
7.11.1.2	Provisioning of the IRI-POI in the IMS network functions	313
7.11.1.3	Provisioning of the MDF2	314
7.11.2	Generation of xIRI at IRI-POI in the IMS Network Functions over LI_X2.....	315
7.11.2.1	General	315
7.11.2.2	Signature generation.....	315
7.11.2.3	Signature validation	318
7.11.2.4	IMS Network Function that interacts with signing AS	319
7.11.2.5	IMS Network Function that interacts with the verification AS.....	320
7.11.3	Generation of IRI over LI_HI2.....	320
7.12	LI for IMS based services	321
7.12.1	General.....	321
7.12.2	Overview	321
7.12.2.1	General	321
7.12.2.2	Target type and target identifiers	321
7.12.2.3	Roaming considerations	322
7.12.2.4	Service specific aspects.....	322
7.12.2.4.1	General	322
7.12.2.4.2	LI for normal sessions	322
7.12.2.4.3	LI for redirected sessions.....	322
7.12.2.4.4	LI for conferencing.....	322
7.12.2.4.5	STIR/SHAKEN	323
7.12.2.4.6	RCD/eCNAM.....	323
7.12.2.4.7	Called party address translation.....	323
7.12.2.4.8	IMS Data Channel	323
7.12.2.5	Service scoping	323
7.12.2.5.1	General	323
7.12.2.5.2	LI for voice.....	324
7.12.2.5.3	LI for Messaging	324
7.12.2.5.4	LI for voice-mail.....	324
7.12.2.5.5	LI for RCS	325
7.12.2.5.6	LI for PTC service.....	325
7.12.2.5.7	LALS triggering	325

7.12.2.5.8	LI for IMS Data Channel.....	325
7.12.2.6	Location reporting.....	325
7.12.2.7	Deployment considerations.....	325
7.12.2.8	Identifying the intercepted IMS-based communications.....	326
7.12.2.8.1	General concepts.....	326
7.12.2.8.2	Target match.....	326
7.12.2.8.2.1	General.....	326
7.12.2.8.2.2	Session based IMS services.....	326
7.12.2.8.2.3	Session independent IMS services.....	327
7.12.2.9	Handling of correlation information.....	328
7.12.2.9.1	Correlation of IRI and CC.....	328
7.12.2.9.2	Correlation for sessions with called party address translation.....	328
7.12.3	Provisioning over LI_X1.....	329
7.12.3.1	General.....	329
7.12.3.2	Provisioning of IRI-POI.....	329
7.12.3.2.1	Session-based IMS services.....	329
7.12.3.2.2	Session-independent IMS services.....	330
7.12.3.3	Provisioning of CC-TF.....	331
7.12.3.4	Provisioning of the MDF2.....	332
7.12.3.5	Provisioning of the MDF3.....	333
7.12.4	Generation of xIRIs over LI_X2.....	333
7.12.4.1	IRI-POIs in IMS signalling functions.....	333
7.12.4.1.1	General.....	333
7.12.4.1.2	IRI-POI in P-CSCF.....	334
7.12.4.1.2.1	Session-based IMS communications.....	334
7.12.4.1.2.2	Session-independent IMS communications.....	334
7.12.4.1.3	IRI-POI in S-CSCF.....	334
7.12.4.1.3.1	Session-based IMS communications.....	334
7.12.4.1.3.2	Session-independent IMS communications.....	335
7.12.4.1.4	IRI-POI in E-CSCF.....	335
7.12.4.1.5	IRI-POI in IBCF.....	335
7.12.4.1.5.1	Session-based IMS communications.....	335
7.12.4.1.5.2	Session-independent IMS communications.....	336
7.12.4.1.6	IRI-POI in MGCF.....	336
7.12.4.1.6.1	Session-based IMS communications.....	336
7.12.4.1.6.2	Session-independent IMS communications.....	336
7.12.4.1.7	IRI-POI in AS.....	336
7.12.4.1.7.1	Session-based IMS communications.....	336
7.12.4.1.7.2	Session-independent IMS communications.....	336
7.12.4.1.8	IRI-POI in DCSF.....	336
7.12.4.2	IMS records.....	337
7.12.4.2.1	IMS Message.....	337
7.12.4.2.2	Start of interception with Active IMS session.....	338
7.12.4.2.3	IMS CC Unavailable.....	339
7.12.4.2.4	IMS Data Channel Setup.....	340
7.12.4.2.5	IMS Data Channel Modification.....	340
7.12.4.2.6	IMS Data Channel Termination.....	341
7.12.4.3	IMS record parameters.....	342
7.12.4.3.1	Type: IMSPayload.....	342
7.12.4.3.2	Enumeration: SessionDirection.....	342
7.12.4.3.3	Enumeration: VoIPRoamingIndication.....	342
7.12.4.3.4	Type: SIPMessage.....	343
7.12.4.3.5	Type: SIPAccessNetworkInformation.....	343
7.12.4.3.6	Type: SIPCellularNetworkInformation.....	343
7.12.4.3.7	Type: ModifiedSIPMessage.....	343
7.12.5	Triggering of CC-POI by CC-TF over LI_T3.....	344
7.12.5.1	CC-TFs in IMS signalling functions.....	344
7.12.5.1.1	General.....	344
7.12.5.1.2	CC-TF in P-CSCF.....	344
7.12.5.1.3	CC-TF in IBCF.....	344
7.12.5.1.4	CC-TF in MGCF.....	345
7.12.5.1.5	CC-TF in AS/MRFC.....	345

7.12.5.1.6	IMS Data Channel media interception	345
7.12.5.1.6.1	General.....	345
7.12.5.1.6.2	CC-TF in DCSF	345
7.12.5.1.6.3	CC-TF in IMS-AS	345
7.12.5.2	LI_T3 triggering details	346
7.12.5.2.1	General	346
7.12.5.2.2	Activation Task	347
7.12.5.2.2.1	Overview.....	347
7.12.5.2.2.2	Activation of CC-POI in IMS-AGW, TrGW, IM-MGW.....	349
7.12.5.2.2.3	CC-POI in MRFP.....	352
7.12.5.2.2.4	Activation of CC-POI when media interceptions are done at both sides IMS media function	353
7.12.5.2.3	ModifyTask	355
7.12.5.2.4	DeactivateTask	356
7.12.6	Generation of xCC over LI_X3	356
7.12.6.1	General	356
7.12.6.2	Media capture.....	356
7.12.6.3	Payload format	357
7.12.6.4	Payload direction.....	357
7.12.6.5	SDP session description	357
7.12.6.6	Additional XID related information.....	358
7.12.7	Generation of IRI over LI_HI2	358
7.12.7.1	General	358
7.12.7.2	Handling of multiple instances of list of mediation details	359
7.12.7.3	Mid-session activation for additional warrants at MDF2	359
7.12.7.4	Location reporting	359
7.12.8	Generation of CC over LI_HI3	359
7.12.8.1	General	359
7.12.8.2	Handling of multiple instances of list of mediation details	359
7.12.8.3	Handling of additional XID related information	359
7.12.8.4	SDP session description	360
7.12.8.5	Mid-session activation for additional warrants at MDF3	360
7.12.9	Removal of unauthorised information from IMS record payloads	360
7.12.9.1	General	360
7.12.9.2	Removal of location information	360
7.12.9.2.1	General	360
7.12.9.2.2	P-Access-Network-Info location removal	360
7.12.9.2.3	Cellular-Network-Info location removal	361
7.12.9.2.4	Geolocation header location removal	361
7.12.9.2.5	Removal of location information from presence information	361
7.12.9.3	Removal of communications content	361
7.12.9.3.1	General	361
7.12.9.3.2	Removal of SMS content.....	361
7.12.9.3.3	Removal of text content.....	361
7.12.9.3.4	Removal of content from the Subject header field	361
7.12.10	Generation of xIRI from media plane packets	361
7.12.10.1	General	361
7.12.11	Interception of post dialled digits	362
7.12.11.1	General	362
7.12.11.2	Reporting post dialled digits carried in the RTP stream.....	362
7.13	RCS	362
7.13.1	Provisioning over LI_X1	362
7.13.1.1	General	362
7.13.1.2	Provisioning of the POIs and TFs in the RCS Server and the POIs in the HTTP Content Server, File Transfer Localization Function and S-CSCF by the LIPF	363
7.13.1.3	Provisioning of the MDF2	363
7.13.1.4	Provisioning of the MDF3	364
7.13.2	Triggering of the IRI-POI and CC-POI in the HTTP Content Server.....	365
7.13.2.1	Triggering of the IRI-POI in the HTTP Content Server over LI_T2	365
7.13.2.1.1	LI_T2 interface Specifics	365
7.13.2.2	Triggering of the CC-POI in the HTTP Content Server over LI_T3	366
7.13.2.2.1	LI_T3 interface Specifics	366

7.13.3	Generation of xIRI at IRI-POI in the RCS Server over LI_X2.....	367
7.13.3.1	General.....	367
7.13.3.1.1	Introduction.....	367
7.13.3.1.2	Common parameters for RCS reporting.....	367
7.13.3.1.2.1	Simple types.....	367
7.13.3.1.2.2	Type: RCSIdentity.....	368
7.13.3.1.2.3	Type: RCSDestinations.....	368
7.13.3.1.2.4	Type: RCSDestination.....	368
7.13.3.2	Registration.....	368
7.13.3.2.1	RCS registration record.....	368
7.13.3.2.2	RCS Registration parameters.....	369
7.13.3.2.2.1	Enumeration: RCSRegistrationType.....	369
7.13.3.3	RCS Message.....	369
7.13.3.3.1	RCS Message record.....	369
7.13.3.3.2	RCS Message parameters.....	371
7.13.3.3.2.1	Type: RCSMessageType.....	371
7.13.3.3.2.2	Type: RCSPayload.....	371
7.13.3.3.2.3	Type: EncapsulatedRCSPayload.....	371
7.13.3.3.2.4	Type: ModifiedRCSPayload.....	371
7.13.3.4	RCS Session reporting.....	371
7.13.3.4.1	General.....	371
7.13.3.4.2	Session establishment attempt.....	372
7.13.3.4.2.1	RCSSessionEstablishmentAttempt record.....	372
7.13.3.4.2.2	Large Message Mode CPM Standalone session.....	372
7.13.3.4.2.3	CPM 1-to-1 Chat session establishment.....	373
7.13.3.4.3	Session modification.....	373
7.13.3.4.3.1	RCSSessionModification record.....	373
7.13.3.4.3.2	CPM Standalone Message session modification.....	374
7.13.3.4.3.3	CPM 1-to-1 Chat session modification.....	374
7.13.3.4.4	Session release.....	374
7.13.3.4.4.1	RCSSessionRelease record.....	374
7.13.3.4.4.2	CPM Standalone Message session release.....	375
7.13.3.4.4.3	CPM 1-to-1 Chat session release.....	375
7.13.3.4.5	RCS session parameters.....	375
7.13.3.4.5.1	Type: RCSSessionType.....	375
7.13.3.4.5.2	Type: RCSSessionEndpoints.....	375
7.13.3.4.5.3	Type: RCSSIPSessionMessage.....	375
7.13.3.4.5.4	Type: RCSSessionLeg.....	375
7.13.3.4.5.5	Void.....	376
7.13.3.4.5.6	Type: RCSSessionResult.....	376
7.13.3.4.5.7	MSRPPath.....	376
7.13.3.5	Capability discovery.....	376
7.13.3.5.1	RCS Capability discovery record.....	376
7.13.3.6	RCS reported at the start of intercept.....	377
7.13.3.6.1	Records.....	377
7.13.3.6.1.1	General.....	377
7.13.3.6.1.2	StartOfInterceptForRegisteredRCSUser record.....	378
7.13.3.6.1.3	StartOfInterceptWithEstablishedRCSSession record.....	378
7.13.3.6.2	Parameters.....	379
7.13.3.6.2.1	Type: RCSRegistrationInformation.....	379
7.13.3.6.2.2	Type: RCSSessionLegContext.....	380
7.13.3.6.2.3	Type: RCSSIPRegistrationExchange.....	380
7.13.3.6.2.4	Type: RCSSIPSessionExchange.....	380
7.13.3.6.2.5	Type: AdditionalInstanceLocation.....	380
7.13.4	Generation of IRI over LI_HI2.....	380
7.13.5	Redaction of unauthorised information from encapsulated RCS payloads.....	381
7.13.5.1	General.....	381
7.13.5.2	Redaction of location information.....	381
7.13.5.2.1	General.....	381
7.13.5.2.2	Redaction of location information from presence information.....	381
7.13.5.2.3	Redaction of location information from CPIM messages.....	381
7.13.5.3	Redaction of communications content.....	382

7.13.5.3.1	General	382
7.13.5.3.2	Redaction of text content	382
7.13.5.3.3	Redaction of content from the Subject header field.....	382
7.13.5.3.4	Redaction of content from Geolocation PUSH messages.....	382
7.13.5.3.5	Redaction of URLs from file transfer messages.....	382
7.13.6	Generation of xCC over LI_X3	382
7.13.6.1	General	382
7.13.6.2	Generation of xCC at the CC-POI in the RCS Server.....	383
7.13.6.3	Generation of xCC at the CC-POI in the HTTP Content Server.....	383
7.13.6.4	Generation of xCC at the CC-POI in the File Localisation Server.....	383
7.13.6.5	Payload direction.....	383
7.13.7	Generation of CC over LI_HI3	383
7.14	LI at EES	384
7.14.1	Provisioning over LI_X1	384
7.14.1.1	Provisioning of IRI-POI in EES.....	384
7.14.1.2	Provisioning of the MDF2	384
7.14.2	Generation of xIRI at IRI-POI in EES over LI_X2	385
7.14.2.1	General	385
7.14.2.2	EEC registration and deregistration	385
7.14.2.3	EAS discovery.....	386
7.14.2.4	EAS discovery subscription	387
7.14.2.5	EAS discovery notification	388
7.14.2.6	Application context relocation	389
7.14.2.7	Application context relocation information subscription.....	389
7.14.2.8	Application context relocation information notification	390
7.14.2.9	EEC context relocation	390
7.14.2.10	Start of interception with registered EEC.....	391
7.14.2.11	Generation of IRI over LI_HI2	391
7.15	LI at 5GMS AF	392
7.15.1	Provisioning over LI_X1	392
7.15.1.1	Provisioning of IRI-POI in 5GMS AF.....	392
7.15.1.2	Provisioning of the MDF2	392
7.15.2	Generation of xIRI over LI_X2	393
7.15.2.1	General	393
7.15.2.2	Service access information.....	393
7.15.2.3	Consumption reporting.....	393
7.15.2.4	Dynamic policy invocation	394
7.15.2.5	Metrics reporting.....	394
7.15.2.6	Network assistance.....	395
7.15.2.7	Unsuccessful procedure	395
7.15.2.8	Start of interception with already configured UE.....	396
7.15.3	Generation of IRI over LI_HI2	397
7.16	LI at NWDAF.....	397
7.16.1	Provisioning over LI_X1	397
7.16.1.1	Provisioning of IRI-POI in NWDAF	397
7.16.1.2	Provisioning of the MDF2	398
7.16.2	Generation of xIRI over LI_X2	398
7.16.2.1	General	398
7.16.2.1.1	Target matching	398
7.16.2.2	Events subscription	399
7.16.2.3	Events notification	399
7.16.2.4	Analytics info query	400
7.16.2.5	Roaming scenarios	401
7.16.2.5.1	General	401
7.16.2.5.2	Roaming analytics subscription.....	401
7.16.2.5.3	Roaming analytics notification.....	402
7.16.3	Generation of IRI over LI_HI2	402
8	Common Parameter Definitions	402
8.1	General	402
8.2	Simple types	403
8.3	Identifier Types	404

8.3.1	General.....	404
8.3.2	User identifier lists.....	404
8.3.2.1	Type: UserIdentifiers	404
8.3.2.2	Sequence Of user identifier types.....	404
8.3.2.3	Type: EPSSubscriberIDs.....	405
8.3.2.4	Type: FiveGSSubscriberID.....	405
8.3.3	Simple Types for Identifiers	406
8.3.4	Type: SUPI	406
8.3.5	Type: SUCI.....	407
8.3.6	Type: PEI.....	407
8.3.7	Type: GPSI	407
8.3.8	Type: GUTI	408
8.3.9	Type: FiveGGUTI	408
8.3.10	Type: EPS5GGUTI.....	408
8.3.11	Type: NonIMEISVPEI	409
8.4	Complex types.....	409
8.4.1	Type: HandoverCause.....	409
8.4.2	Type: EMM5GMMStatus.....	409
8.4.3	Type: ForbiddenAreaInformation.....	409
8.4.4	Type: ForbiddenLAINformation	410
8.4.5	Type: RATRestrictionItem	410
8.4.6	Type: LTEV2XServiceAuthorization	410
8.4.7	Type: NRV2XServiceAuthorization.....	410
8.4.8	Type: RRCEstablishmentCause.....	410
8.4.9	Type: ConnectedENGNB	411
8.4.10	Type: PLMNSupportItem	411
8.5	Enumerations.....	411
8.5.1	Enumeration: EMMRegStatus.....	411
8.5.2	Enumeration: FiveGMMRegStatus	411
8.5.3	Enumeration: SMSOverNASIndicator	412
8.5.4	Enumeration: CSGMembershipIndication.....	412
8.5.5	Enumeration: EPSAttachType.....	412
8.5.6	Enumeration: EPSAttachResult.....	412
8.5.7	Enumeration: EPSSMSServiceStatus	413
8.5.8	Enumeration: EstablishmentCause	413
8.5.9	Enumeration: TraceRecordType.....	413
8.5.10	Enumeration: TraceDirection.....	414
Annex A (normative): ASN.1 Schema for the Internal and External Interfaces.....		415
Annex B (normative): LI Notification.....		416
Annex C (normative): XSD Schema for LI_X1 extensions.....		418
Annex D (informative): Drafting Guidance		419
D.1	Introduction	419
D.2	Drafting conventions	419
D.3	Naming conventions.....	420
D.4	ASN.1 Syntax conventions.....	420
D.5	Referencing ASN.1 components	422
Annex E (normative): XSD Schema for Identity Association.....		423
Annex F (normative): ASN.1 Schema for LI_XER messages.....		424
Annex G (informative): Void.....		425
Annex H (normative): XSD Schema for State Transfers.....		426
Annex I (normative): XSD Schema for Location Acquisition		427

Annex L (normative): XSD Schema for LI Queries	428
Annex M (normative): Reuse of externally defined structures	429
M.1 Encapsulated Information.....	429
M.1.1 General	429
M.1.2 Encapsulated information reporting parameters	429
M.1.2.1 Simple Types for encapsulate information reporting	429
M.1.2.2 Type: SBType.....	430
M.1.2.3 Type: XMLType	430
M.1.2.4 Type: MIMEEntity	430
M.1.2.5 Type: MSRPMMessage	430
M.1.2.6 Type: MIMEPartIdentifier	431
M.1.2.7 Type: ExternalASNTType	431
M.1.2.8 Type: ExternalASNValue	431
M.2 Encapsulated information modification	431
M.2.1 General	431
M.2.2 Predefined modifications.....	432
M.2.3 Use of described modifications	432
M.2.4 Encapsulated information modification parameters	432
M.2.4.1 Simple Types for encapsulated information modification	432
M.2.4.2 Type: PayloadModifications	432
M.2.4.3 Type: PayloadModification	432
M.2.4.4 Enumeration: PredefinedPayloadModification	432
M.2.4.5 Type: PayloadModificationDescription	433
M.2.4.6 Type: ModificationLocation	434
M.2.4.7 Type: ModificationType	434
M.2.4.8 Type: PayloadInformationReplacedWithCharacters	435
M.2.4.9 Type: PayloadInformationRemoved	435
M.2.4.10 Type: MIMEBody	435
M.2.4.11 Type: IndexRange.....	435
Annex N (normative): Application to proprietary implementations	436
N.1 General	436
N.2 Implementation with proprietary network layers	436
N.3 Implementation with proprietary service layers	436
Annex Z (informative): Change history	437
History	444

Foreword

This Technical Specification has been produced by the 3rd Generation Partnership Project (3GPP).

The contents of the present document are subject to continuing work within the TSG and may change following formal TSG approval. Should the TSG modify the contents of the present document, it will be re-released by the TSG with an identifying change of release date and an increase in version number as follows:

Version x.y.z

where:

- x the first digit:
 - 1 presented to TSG for information;
 - 2 presented to TSG for approval;
 - 3 or greater indicates TSG approved document under change control.
- y the second digit is incremented for all changes of substance, i.e. technical enhancements, corrections, updates, etc.
- z the third digit is incremented when editorial only changes have been incorporated in the document.

Introduction

The present document has been produced by the 3GPP TSG SA to standardise Lawful Interception of telecommunications. The present document describes protocols and procedures for Lawful Interception based on 3GPP specifications. These protocols and procedures cover both internal 3GPP interfaces (those required to intercept communications and manage interception within a 3GPP network) and external handover interfaces (those used for delivery of intercepted communications to Law Enforcement, or handling of warrants).

Lawful Interception needs to be done in accordance with the applicable national or regional laws and technical regulations. Such national laws and regulations define the extent to which capabilities in the present document are applicable in specific jurisdictions.

1 Scope

The present document specifies the protocols and procedures required to perform Lawful Interception within a 3GPP network. The present document addresses both internal interfaces used internally with a 3GPP network and external handover interfaces used to handover intercepted communications to law enforcement.

The present document describes the detailed targeting of communications in each point of interception within a 3GPP network and the information that a point of interception needs to be able to capture. Furthermore, the detailed data formats for both the internal and external interfaces are also defined.

National regulations determine the applicable set of information that needs to be handed over or excluded from handover to law enforcement for a given 3GPP operator service.

2 References

The following documents contain provisions which, through reference in this text, constitute provisions of the present document.

- References are either specific (identified by date of publication, edition number, version number, etc.) or non-specific.
- For a specific reference, subsequent revisions do not apply.
- For a non-specific reference, the latest version applies. In the case of a reference to a 3GPP document (including a GSM document), a non-specific reference implicitly refers to the latest version of that document *in the same Release as the present document*.

- [1] 3GPP TR 21.905: "Vocabulary for 3GPP Specifications".
- [2] 3GPP TS 23.501: "System Architecture for the 5G System".
- [3] 3GPP TS 33.126: "Lawful Interception Requirements".
- [4] 3GPP TS 23.502: "Procedures for the 5G System; Stage 2".
- [5] 3GPP TS 33.127: "Lawful Interception (LI) Architecture and Functions".
- [6] ETSI TS 103 120: "Lawful Interception (LI); Interface for warrant information".
- [7] ETSI TS 103 221-1: "Lawful Interception (LI); Internal Network Interfaces; Part 1: X1".
- [8] ETSI TS 103 221-2: "Lawful Interception (LI); Internal Network Interfaces; Part 2: X2/X3".
- [9] ETSI TS 102 232-1: "Lawful Interception (LI); Handover Interface and Service-Specific Details (SSD) for IP delivery; Part 1: Handover specification for IP delivery".
- [10] ETSI TS 102 232-7: "Lawful Interception (LI); Handover Interface and Service-Specific Details (SSD) for IP delivery; Part 7: Service-specific details for Mobile Services".
- [11] 3GPP TS 33.501: "Security Architecture and Procedures for the 5G System".
- [12] 3GPP TS 33.108: "3G security; Handover interface for Lawful Interception (LI)".
- [13] 3GPP TS 24.501: "Non-Access-Stratum (NAS) protocol for 5G System (5GS)".
- [14] 3GPP TS 24.007: "Mobile radio interface signalling layer 3; General Aspects".
- [15] 3GPP TS 29.244: "Interface between the Control Plane and the User Plane nodes".
- [16] 3GPP TS 29.502: "5G System; Session Management Services; Stage 3".
- [17] 3GPP TS 29.571: "5G System; Common Data Types for Service Based Interfaces; Stage 3".

- [18] 3GPP TS 23.040: "Technical realization of the Short Message Service (SMS)".
- [19] 3GPP TS 23.003: "Numbering, addressing and identification".
- [20] OMA-TS-MLP-V3_5-20181211-C: "Open Mobile Alliance; Mobile Location Protocol, Candidate Version 3.5", https://www.openmobilealliance.org/release/MLS/V1_4-20181211-C/OMA-TS-MLP-V3_5-20181211-C.pdf.
- [21] 3GPP TS 29.540: "5G System; SMS Services; Stage 3".
- [22] 3GPP TS 29.518: "5G System; Access and Mobility Management Services; Stage 3".
- [23] 3GPP TS 38.413: "NG Application Protocol (NGAP)".
- [24] 3GPP TS 29.572: "Location Management Services; Stage 3".
- [25] 3GPP TS 29.503: "5G System; Unified Data Management Services".
- [26] IETF RFC 815: "IP datagram reassembly algorithms".
- [27] IETF RFC 2460: "Internet Protocol, Version 6 (IPv6) Specification".
- [28] IETF RFC 793: "Transmission Control Protocol".
- [29] IETF RFC 768: "User Datagram Protocol".
- [30] IETF RFC 4340: "Datagram Congestion Control Protocol (DCCP)".
- [31] IETF RFC 4960: "Stream Control Transmission Protocol".
- [32] IANA (www.iana.org): Assigned Internet Protocol Numbers, "Protocol Numbers".
- [33] IETF RFC 6437: "IPv6 Flow Label Specification".
- [34] IETF RFC 791: "Internet Protocol".
- [35] Open Geospatial Consortium OGC 05-010: "URNs of definitions in ogc namespace".
- [36] 3GPP TS 33.107: "3G security; Lawful interception architecture and functions".
- [37] 3GPP TS 37.340: "Evolved Universal Radio Access (E-UTRA) and NR-Multi-connectivity; Stage 2".
- [38] 3GPP TS 36.413: "S1 Application Protocol (S1AP)".
- [39] OMA-TS-MMS_ENC-V1_3-20110913-A: "Multimedia Messaging Service Encapsulation Protocol".
- [40] 3GPP TS 23.140: "Multimedia Messaging Protocol. Functional Description. Stage 2".
- [41] 3GPP TS 38.415: "NG-RAN; PDU Session User Plane Protocol".
- [42] 3GPP TS 23.273: "5G System (5GS) Location Services (LCS); Stage 2".
- [43] IETF RFC 4566: "SDP: Session Description Protocol".
- [44] 3GPP TS 24.193: "Stage 3: Access Traffic Steering, Switching and Splitting (ATSSS)".
- [45] 3GPP TS 29.509: "5G System; Authentication Server Services; Stage 3".
- [46] 3GPP TS 24.011: "Point-to-Point (PP) Short Message Service (SMS) support on mobile radio interface".
- [47] 3GPP TS 29.002: "Mobile Application Part (MAP) specification".
- [48] 3GPP TS 29.504: "5G System; Unified Data Repository Services; Stage 3".

- [49] 3GPP TS 29.505: "5G System; Usage of the Unified Data Repository services for Subscription Data; Stage 3".
- [50] 3GPP TS 23.401 "General Packet Radio Service (GPRS) enhancements for Evolved Universal Terrestrial Radio Access Network (E-UTRAN) access".
- [51] 3GPP TS 24.301 "Non-Access-Stratum (NAS) protocol for Evolved Packet System (EPS), Stage 3".
- [52] 3GPP TS 23.271 "Functional stage 2 description of Location Services (LCS)".
- [53] 3GPP TS 29.172 "Evolved Packet Core (EPC) LCS Protocol (ELP) between the Gateway Mobile Location Centre (GMLC) and the Mobile Management Entity (MME); SLg interface".
- [54] 3GPP TS 29.171 "LCS Application Protocol (LCS-AP) between the Mobile Management Entity (MME) and Evolved Serving Mobile Location Centre (E-SMLC); SLs interface".
- [55] 3GPP TS 24.379: "Mission Critical Push to Talk (MCPTT) call control; protocol specification".
- [56] OMA-TS-PoC-System_Description-V2_1-20110802-A: "OMA PoC System Description".
- [57] 3GPP TS 29.541: "5G System; Network Exposure (NE) function services for Non-IP Data Delivery (NIDD); Stage 3".
- [58] 3GPP TS 29.522: "5G System; Network Exposure Function Northbound APIs; Stage 3".
- [59] 3GPP TS 29.338: "Diameter based protocols to support Short Message Service (SMS) capable Mobile Management Entities (MMEs); Stage 3".
- [60] 3GPP TS 29.337: "Diameter-based T4 interface for communications with packet data networks and applications".
- [61] 3GPP TS 24.250: "Protocol for Reliable Data Service; Stage 3".
- [62] 3GPP TS 29.128: "Mobility Management Entity (MME) and Serving GPRS Support Node (SGSN) interfaces for interworking with packet data networks and applications".
- [63] 3GPP TS 29.122: "T8 reference point for Northbound APIs".
- [64] 3GPP TS 29.598: "5G System; Unstructured Data Storage Services; Stage3".
- [65] 3GPP TS 33.535: "Authentication and Key Management for Applications (AKMA) based on 3GPP credentials in the 5G System (5GS)".
- [66] IETF RFC 5246: "The Transport Layer Security (TLS) Protocol Version 1.2".
- [67] GSMA IR.88: "IR.88 LTE and EPC Roaming Guidelines".
- [68] GSMA NG.114 "IMS Profile for Voice, Video and Messaging over 5GS".
- [69] IETF RFC 8225: "PASSporT: Personal Assertion Token".
- [70] IETF RFC 8224: "Authenticated Identity Management in the Session Initiation Protocol (SIP)".
- [71] IETF RFC 8588: "Personal Assertion Token (PaSSporT) Extension for Signature-based Handling of Asserted information using toKENs (SHAKEN)".
- [72] 3GPP TS 24.196: "Enhanced Calling Name (eCNAM)".
- [73] IETF draft-ietf-stir-passport-rcd-26: "PASSporT Extension for Rich Call Data".
- NOTE: The above document cannot be formally referenced until it is published as an RFC.
- [74] 3GPP TS 24.229: "IP multimedia call control protocol based on Session Initiation Protocol (SIP)and Session Description Protocol (SDP); Stage 3".

- [75] IANA Session Initiation Protocol (SIP) Parameters: <https://www.iana.org/assignments/sip-parameters/sip-parameters.xhtml>
- [76] IETF RFC 8946: "Personal Assertion Token (PASSporT) Extension for Diverted Calls".
- [77] 3GPP TS 23.204: "3rd Generation Partnership Project; Technical Specification Group Services and System Aspects; Support of Short Message Service (SMS) over generic 3GPP Internet Protocol (IP) access; Stage 2".
- [78] GSMA RCC.07: "Rich Communication Suite – Advanced Communications Services and Client Specification".
- [79] IETF RFC 4975: "The Message Session Relay Protocol (MSRP)".
- [80] IETF RFC 3862: "Common Presence and Instant Messaging (CPIM): Message Format".
- [81] IETF RFC 5438: "Instant Message Disposition Notification (IMDN)".
- [82] OMA-TS-CPM_System_Description-V2_2-20170926-C: "OMA Converged IP Messaging System Description".
- [83] Void.
- [84] 3GPP TS 36.455: "Evolved Universal Terrestrial Radio Access (E-UTRA); LTE Positioning Protocol A (LPPa) ".
- [85] 3GPP TS 37.355: "LTE Positioning Protocol (LPP)".
- [86] 3GPP TS 38.455: "NG-RAN; NR Positioning Protocol A (NRPPa)".
- [87] 3GPP TS 29.274: "3GPP Evolved Packet System (EPS); Evolved General Packet Radio Service (GPRS) Tunnelling Protocol for Control plane (GTPv2-C); Stage 3".
- [88] 3GPP TS 29.513: "5G System; Policy and Charging Control signalling flows and QoS parameter mapping".
- [89] 3GPP TS 29.512: "5G System; Session Management Policy Control Service; Stage 3".
- [90] 3GPP TS 29.508: "5G System; Session Management Event Exposure Service; Stage 3".
- [91] 3GPP TS 29.514: "5G System; Policy Authorization Service; Stage 3".
- [92] 3GPP TS 29.214: "Policy and Charging Control over Rx reference point".
- [93] 3GPP TS 24.558: "Enabling Edge Applications; Protocol specification".
- [94] 3GPP TS 29.558: "Enabling Edge Applications; Application Programming Interface (API) specification".
- [95] 3GPP TS 24.008: "Mobile radio interface Layer 3 specification; Core network protocols; Stage 3".
- [96] 3GPP TS 29.551: "5G System; Packet Flow Description Management Service; Stage 3".
- [97] ETSI TS 103 280: "Lawful Interception (LI); Dictionary for common parameters".
- [98] 3GPP TS 26.512: "5G Media Streaming (5GMS); Protocols".
- [99] 3GPP TS 26.247: "Transparent end-to-end Packet-switched Streaming Service (PSS); Progressive Download and Dynamic Adaptive Streaming over HTTP (3GP-DASH)".
- [100] 3GPP TS 29.563: "5G System; Home Subscriber Server (HSS) services for interworking with Unified Data Management (UDM); Stage 3".
- [101] 3GPP TS 29.562: "5G System; Home Subscriber Server (HSS) Services; Stage 3".
- [102] 3GPP TS 24.341 "Support of SMS over IP networks, Stage 3".
- [103] 3GPP TS 38.473 "NG-RAN;F1 application protocol (F1AP)".

- [104] 3GPP TS 23.032: "Universal Geographical Area Description (GAD)".
- [105] ITU-T Recommendation Q.763 (1999): "Specifications of Signalling System No.7; Formats and codes".
- [106] 3GPP TS 29.272: "Mobility Management Entity (MME) and Serving GPRS Support Node (SGSN) related interfaces based on Diameter protocol".
- [107] IETF RFC 6442: "Location Conveyance for the Session Initiation Protocol".
- [108] Void.
- [109] OMA-TS-CPM_Conv_Function: "OMA CPM Conversation Functions".
- [110] IETF RFC 2045: "Multipurpose Internet Mail Extensions (MIME) Part One: Format of Internet Message Bodies".
- [111] 3GPP TS 32.299: "Telecommunication management; Charging management; Diameter charging applications".
- [112] 3GPP TS 32.423: "Telecommunication management; Subscriber and equipment trace; Trace data definition and management".
- [113] 3GPP TS 38.414: "NG-RAN; NG data transport".
- [114] IETF RFC 2045: "Multipurpose Internet Mail Extensions (MIME) Part One: Format of Internet Message Bodies".
- [115] IETF RFC 5322: "Internet Message Format".
- [116] IETF RFC 4975: "The Message Session Relay Protocol (MSRP)".
- [117] IETF RFC 6901: "JavaScript Object Notation (JSON) Pointer".
- [118] IETF RFC 3261: "SIP: Session Initiation Protocol".
- [119] W3C Recommendation: "XML Path Language (XPath)".
- [120] IETF RFC 2046: "Multipurpose Internet Mail Extensions (MIME) Part Two: Media Types".
- [121] 3GPP TR 33.928: "ADMF Logic for Provisioning Lawful Interception (LI)".
- [122] 3GPP TS 23.316: "Wireless and wireline convergence access support for the 5G System".
- [123] 3GPP TS 23.038: "Alphabets and language-specific information".
- [124] ITU-T Recommendation X.680 (2021): "Information technology—Abstract Syntax Notation One (ASN.1): Specification of basic notation".
- [125] IETF RFC 4282: "The Network Access Identifier".
- [126] IETF RFC 7042: "IANA Considerations and IETF Protocol and Documentation Usage for IEEE 802 Parameters".
- [127] IEEE "Guidelines for Use of Extended Unique Identifier (EUI), Organizationally Unique Identifier (OUI), and Company ID (CID)", <https://standards.ieee.org/content/dam/ieee-standards/standards/web/documents/tutorials/eui.pdf>
- [128] 3GPP TS 24.502: "Access to the 3GPP 5G Core Network (5GCN) via Non-3GPP Access Networks (N3AN)".
- [129] 3GPP TS 33.503: "Security aspects of Proximity based Services (ProSe) in the 5G System (5GS)".
- [130] 3GPP TS 29.228: "IP Multimedia (IM) Subsystem Cx and Dx Interfaces; Signalling flows and message contents".

- [131] 3GPP TS 24.174: "Support of multi-device and multi-identity in the IP Multimedia Subsystem (IMS)".
- [132] OMA-TS-CPM_Message_Storage: "OMA CPM Message Storage".
- [133] 3GPP TS 29.520: "Network Data Analytics Services".
- [134] 3GPP2 C.S0015-A: "Short Message Service (SMS) for Wideband Spread Spectrum Systems".
- [135] ETSI TS 102 232-5: "Lawful Interception (LI); Handover Interface and Service-Specific Details (SSD) for IP delivery; Part 5: Service-specific details for IP Multimedia services".
- [136] ETSI TS 102 232-3: "Lawful Interception (LI); Handover Interface and Service-Specific Details (SSD) for IP delivery; Part 3: Service-specific details for internet access services".
- [137] 3GPP TS 29.176: "IP Multimedia Subsystem (IMS); Media Function (MF); Services Stage 3".
- [138] 3GPP TS 29.175: "IP Multimedia Subsystem (IMS) Application Server (AS) Services Stage 3".
- [139] 3GPP TS 26.114: "IP Multimedia Subsystem (IMS); Multimedia Telephony; Media handling and interaction".
- [140] 3GPP TS 29.165: "Inter-IMS Network to Network Interface (NNI)".

3 Definitions, symbols and abbreviations

3.1 Definitions

For the purposes of the present document, the terms and definitions given in 3GPP TR 21.905 [1] and the following apply. A term defined in the present document takes precedence over the definition of the same term, if any, in 3GPP TR 21.905 [1].

3.2 Symbols

For the purposes of the present document, the following symbols apply:

<symbol> <Explanation>

3.3 Abbreviations

For the purposes of the present document, the abbreviations given in 3GPP TR 21.905 [1] and the following apply. An abbreviation defined in the present document takes precedence over the definition of the same abbreviation, if any, in 3GPP TR 21.905 [1].

ADMF	LI Administration Function
CC	Content of Communication
CSP	Communication Service Provider
CUPS	Control and User Plane Separation
DC	Data Channel
DCSF	Data Channel Signalling Function
DNAI	Data Network Access Identifier
ICF	Identity Caching Function
IEF	Identity Event Function
IPPR	Internet Protocol Packet Reporting
IQF	Identity Query Function
IRI	Intercept Related Information

LAF	Location Acquisition Function
LALS	Lawful Access Location Services
LARF	Location Acquisition Requesting Function
LEA	Law Enforcement Agency
LEMF	Law Enforcement Monitoring Facility
LI	Lawful Interception
LICF	Lawful Interception Control Function
LI_HI1	LI_Handover Interface 1
LI_HI2	LI_Handover Interface 2
LI_HI3	LI_Handover Interface 3
LI_HI4	LI_Handover Interface 4
LI_HILA	Lawful Interception Handover Interface Location Acquisition
LI_HIQR	Lawful Interception Handover Interface Query Response
LIPF	Lawful Interception Provisioning Function
LIR	Location Immediate Request
LI_SI	Lawful Interception System Information Interface
LISSE	Lawful Interception State Storage Function
LI_ST	Lawful Interception State Transfer Interface
LI_X1	Lawful Interception Internal Interface 1
LI_X2	Lawful Interception Internal Interface 2
LI_X2_LA	Lawful Interception Internal Interface 2 Location Acquisition
LI_X3	Lawful Interception Internal Interface 3
LI_XEM1	Lawful Interception Internal Interface Event Management Interface 1
LI_XER	Lawful Interception Internal Interface Event Record
LI_XLA	Lawful Interception Internal Interface Location Acquisition
LI_XQR	Lawful Interception Internal Interface Query Response
LTF	Location Triggering Function
MDF	Mediation and Delivery Function
MDF2	Mediation and Delivery Function 2
MDF3	Mediation and Delivery Function 3
MDT	Minimization of Drive Test
MM	Multimedia Message
MMS	Multimedia Message Service
N3AEC	Non-3GPP Access Establishment Cause
N3AF	Non-3GPP Access Function
NAT	Network Address Translation
NPLI	Network Provided Location Information
O&M	Operations and Management
PKMF	ProSe Key Management Function
POI	Point Of Interception
RCS	Rich Communication Suite
SDP	Session Description Protocol
SIP	Session Initiation Protocol
SIRF	System Information Retrieval Function
SOI	Start Of Interception
TF	Triggering Function
TNGF	Trusted Non-3GPP Gateway Function
TWIF	Trusted WLAN Interworking Function
xCC	LI_X3 Communications Content.
xIRI	LI_X2 Intercept Related Information

4 General

4.1 Introduction

The present document provides details of the internal and external interfaces required for a network operator, access provider and/or service provider to provide the necessary information to a Law Enforcement Agency (LEA) required to meet LI requirements. LI requirements for 3GPP networks and services are given in TS 33.126 [3].

The high-level architecture that defines the necessary interfaces is specified in TS 33.127 [5]. The generic high-level interception architecture is as follows:

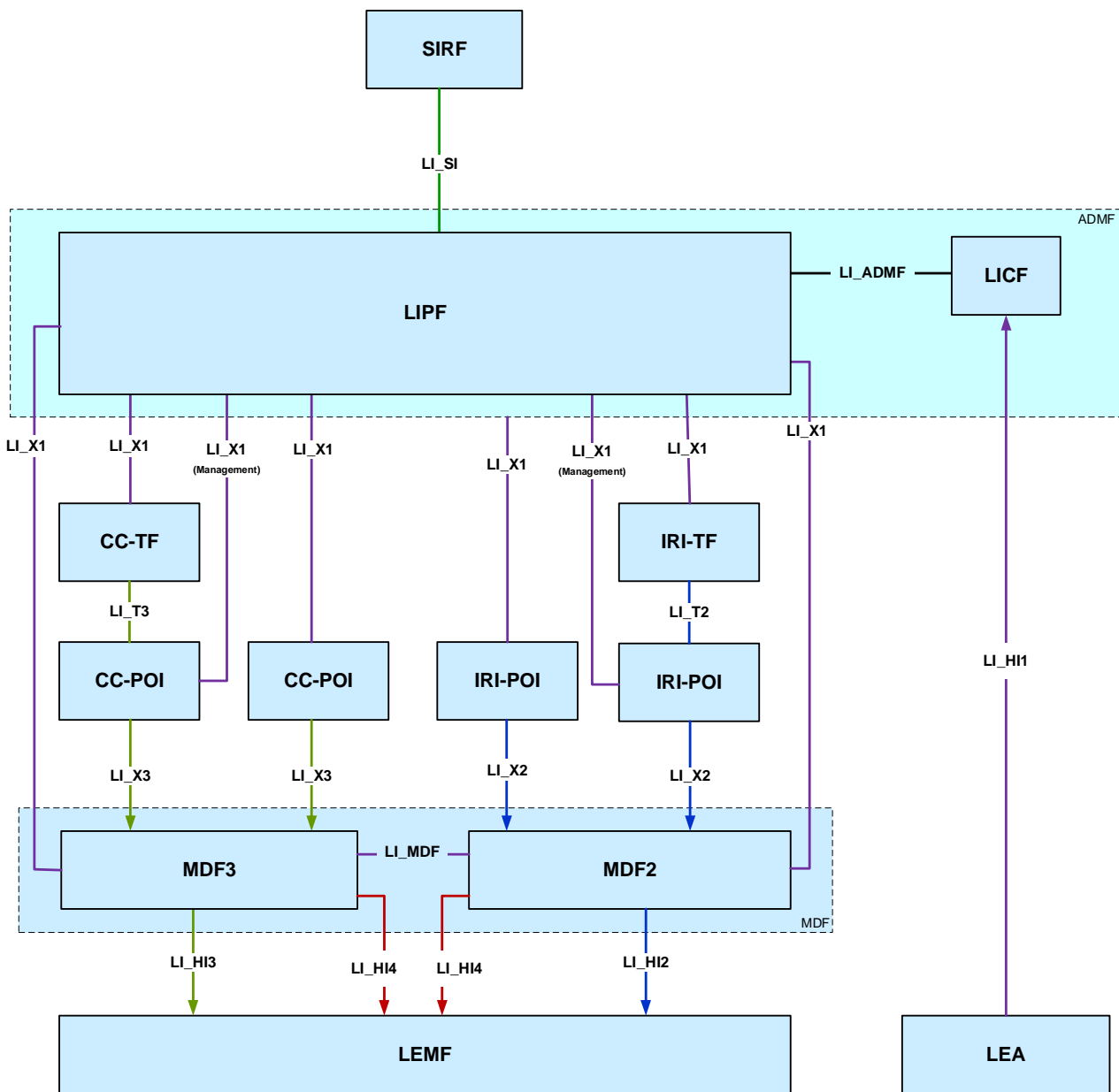


Figure 4.1-1: High-level interception architecture diagram with key point-to-point LI interfaces

The generic high-level acquisition architecture is as follows:

Table 4.2-1: Internal interfaces and related protocols

Interface	Description	Protocol used to realise interface	Usage
LI_ADMF	Used to pass intercept provisioning information from the LICF to the LIPF.	Out of scope of the present document.	
LI_IQF	Used to pass information related to IEFs and ICF to IQF.	Out of scope of the present document.	
LI_LAFC	Used to pass information from LICF to LAF.	Out of scope of the present document.	
LI_LAFP	Used to pass information from LIPF to LAF.	Out of scope of the present document.	
LI_MDF	Used by MDF2 and MDF3 in interactions necessary to correctly generate CC and IRI from xCC and xIRI.	Out of scope of the present document.	
LI_SI	Used to provide system information to the LIPF from the SIRF.	Out of scope of the present document.	
LI_ST	Used to transfer LI state information to and from the LISSF.	3GPP TS 29.598 [64].	See clauses 5.10 and 6.2.3.10
LI_T2	Used to pass triggering information from the IRI-TF to a Triggered IRI-POI.	ETSI TS 103 221-1 [7].	See clause 5.2.4
LI_T3	Used to pass triggering information from a CC-TF to a Triggered CC-POI.	ETSI TS 103 221-1 [7].	See clause 5.2.4
LI_X1	Used to configure and audit Directly-provisioned POIs, TFs and MDFs.	ETSI TS 103 221-1 [7].	See clause 5.2.2
LI_X1 (Management)	Used to audit Triggered POIs.	ETSI TS 103 221-1 [7].	See clause 5.2.3
LI_X2	Used to pass xIRI from IRI-POIs to the MDF2.	ETSI TS 103 221-2 [8].	See clause 5.3.2
LI_X2_LA	Used to pass xIRI from LARF to the MDF2	ETSI TS 103 221-2 [8].	See clause 5.3.5
LI_X3	Used to pass xCC from CC-POIs to the MDF3.	ETSI TS 103 221-2 [8].	See clause 5.3.3
LI_XEM1	Used by the LICF/LIPF to manage IEFs and ICF.	ETSI TS 103 221-1 [7].	See clause 5.2.7
LI_XER	Used to pass identifier association event records from IEFs to ICF.	See Clause 5.9.	See clause 5.9
LI_XLA	Used to send the location acquisition requests from LAF to LARF and used by the LARF to send the location acquisition responses to the LAF.	ETSI TS 103 221-1 [7].	See clause 5.12
LI_XQR	Used to pass queries from IQF to ICF and responses from ICF to IQF.	ETSI TS 103 221-1 [7].	See clause 5.8

4.3 Basic principles for external handover interfaces

This clause lists the external handover interfaces shown in clause 4.1, indicates the protocol used to realise each interface, and gives a reference to the relevant clauses of the present document that specify how the protocol is to be used for the given interface.

Table 4.3-1: External handover interfaces and related protocols

Interface	Description	Protocol used to realise interface	Usage
LI_HI1	Used to send warrant and other interception request information from LEA to operator.	ETSI TS 103 120 [6] shall be supported. Other methods (e.g. manual exchange) may be used depending on national regulatory requirements.	See clause 5.4
LI_HI2	Used to send IRI from the MDF2 to the LEMF.	ETSI TS 102 232-1 [9] and ETSI TS 102 232-7 [10] shall be supported.	See clause 5.5
LI_HI3	Used to send CC from the MDF3 to the LEMF.	ETSI TS 102 232-1 [9] and ETSI TS 102 232-7 [10] shall be supported.	See clause 5.5
LI_HI4	Used to send LI notification information from MDF2/MDF3 to LEMF.	ETSI TS 102 232-1 [9] and ETSI TS 102 232-7 [10] shall be supported.	See clause 5.6
LI_HILA	Used to send the location acquisition requests from LEA to CSP and used by the CSP to send the location acquisition responses to the LEA.	ETSI TS 103 120 [6] shall be supported.	See clause 5.11
LI_HIQR	Used to send warrant and other identifier association query information from LEA to CSP and used by the CSP to send query responses to the LEA.	ETSI TS 103 120 [6] shall be supported.	See clause 5.7

4.4 Service scoping

4.4.1 General

The interception product shall be delivered to the LEMF over LI_HI2 and LI_HI3, observing the service scoping described in the following clauses.

4.4.2 CSP service type

The LIPF shall be able to provision the POIs, TFs and MDF2/MDF3 according to the requirements of the warrant with the following CSP service type(s):

- Voice.
- Data.
- Messaging.
- Push-to-Talk (including MCPTT).
- LALS (the Target Positioning service, per TS 33.127 [5] clause 7.3.3.2).
- RCS (including all associated services).

When multiple service types are applicable to a target, the MDF2/MDF3 shall be able to deliver interception product for each CSP service type independently to different destinations when required.

When no service type is provisioned, the POIs shall generate and deliver applicable interception product for all services specified for the NF where the POI is located.

When no service type is provisioned, the MDF2/MDF3 shall deliver all interception product it receives from the POIs.

4.4.3 Delivery type

- IRI.
- CC.
- IRI and CC.

The LIPF shall be able to provision the POI, TF and the MDF2/MDF3 according the delivery type(s) applicable to a warrant.

When different delivery types are applicable to a target due to multiple warrants, the MDF2/MDF3 shall be able to deliver IRI/CC to each LEMF based on the delivery type(s) of the respective warrant.

4.4.4 Location Reporting

The LIPF shall be able to provision the POIs and MDF2 according to the requirements of the warrant with the following location reporting types:

- Report location only at the beginning and end of a session.
- Do not report location.

When no location reporting type is provisioned, the POIs and MDF2/MDF3 shall report location every time the target location information is received at the POI (including location update with no physical change of location).

When different location reporting types are applicable to a target due to multiple warrants, then POI may be provisioned as if the reporting of all location information occurrences at the POI is required, with MDF2 restricting the delivery of location to the LEMF as per the provisioned information for a warrant.

4.4.5 LALS Triggering

- This option is used to activate the LALS triggered location service (TS 33.127 [5] clause 7.3.3.3) for the target.

The LIPF shall be able to provision the LTF associated with a POI or MDF2 with the LALS triggered location service parameters provided in the warrant or use a default set of parameters.

4.4.6 Roaming Interception

- Stop interception when the target is roaming outbound internationally.

NOTE 1: The definition of international roaming for LI purposes could vary per jurisdiction.

NOTE 2: The method used to achieve the roaming related service scoping is not described in the present document.

4.5 LI product filtering

4.5.1 General

As described in TS 33.127 [5] Annex B, the ADMF is responsible for providing administration and local management of the warrant including filtering criteria. Some of the reasons these criteria may be applied include LEA initiated suspend/resume (TS 33.127 [5] Annex C), as a part of location dependent interception management, or bandwidth optimization.

This document currently defines the following methods for providing and provisioning the criteria for filtering LI product:

- Traffic Policies (see clause 4.5.2).

4.5.2 Traffic policies

ETSI TS 103 120 [6] clause 7.5 defines a traffic policy object which represents a policy from an LEA that is to be applied to authorized intercept product.

The use of Traffic Policies over LI_X1 can be found in clause 5.2.8.

The use of Traffic Policies over LI_HI1 can be found in clause 5.4.4.

5 Transport and Communications Protocol

5.1 General

This clause describes the protocols used for each of the interfaces at a level which is agnostic of the subject service or network. Additional specific fields or behaviours are given in the relevant parts of clauses 6 and 7.

5.2 Protocols for LI_X1 and LI_T interfaces

5.2.1 General usage of ETSI TS 103 221-1

Functions having an LI_X1, LI_T2 or LI_T3 interface shall support the use of ETSI TS 103 221-1 [7] to realise the interface.

In the event of a conflict between ETSI TS 103 221-1 [7] and the present document, the terms of the present document shall apply.

The LIPF and MDF2/MDF3 shall maintain a mapping between internal interception identifiers (XIDs) and external interception identifiers (LIIDs), as defined by ETSI TS 103 221-1 [7] clause 5.1.2. In case of multiple interceptions for a single target identifier, it is an implementation decision for the LIPF/TF whether multiple XIDs are used (i.e. a one-to-one mapping between XID and LIID is maintained) or whether the single XID is used and mapped to multiple LIIDs at the MDF2/MDF3. Clauses 6 and 7 give further details for specific networks or services (e.g. minimum supported target identifier formats).

In the event of a request issued over the interface fails, or an error is reported, the LIPF should raise an alert in the appropriate LI Operations and Management (O&M) system. Further procedures (e.g. retrying a failed request) are left to CSP policy to define.

A failure of LI shall not impact the target's or other users' services.

In general, and unless otherwise specified, the function playing the role of the NE (i.e. IRI-POI, IRI-TF, CC-TF, CC-POI, MDF2 or MDF3) shall:

- Accept CreateDestination and ModifyDestination messages regardless of the DeliveryType.
- Reject ActivateTask/ModifyTask messages that contain destination identifiers (DIDs) that reference Destinations that have not been created via a CreateDestination message; Destinations shall be created before they are used.
- Reject ActivateTask/ModifyTask messages that do not result in at least one valid DID for their DeliveryType (e.g. at least one valid DID for an X2 delivery destination for an "X2Only" Task). Additional DIDs for Destinations of other DeliveryTypes (e.g. a DID for an X3 Destination for an "X2Only" Task) shall be accepted, but a ReportTaskIssue message may be sent to indicate the mismatch.

5.2.2 Usage for realising LI_X1

For the purposes of realising LI_X1 between the LIPF and a POI, MDF or TF, the LIPF plays the role of the ADMF as defined in ETSI TS 103 221-1 [7] reference model (clause 4.2), and the POI, MDF or TF plays the role of the NE.

In general, and unless otherwise specified, the ADMF shall:

- When the provisioning of an IRI-POI/IRI-TF/MDF2 is needed to meet the requirements of the warrant, send an ActivateTask (and subsequent ModifyTask if/as needed) with the DeliveryType set to "X2Only" and the ListOfDIDs containing at least one DID for an X2 or LI_HI2 delivery destination over LI_X1 to each of the relevant functions.
- When the provisioning of a CC-POI/CC-TF/MDF3 is needed to meet the requirements of the warrant, send an ActivateTask (and subsequent ModifyTask if/as needed) with the DeliveryType set to "X3Only" and the ListOfDIDs containing at least one DID for X3 or LI_HI3 delivery destination over LI_X1 to each of the relevant functions.

When both the above are required to meet the requirements of the warrant, the ADMF shall send each independently to each relevant function.

When it is required to cease interception, the ADMF shall send a DeactivateTask message to each relevant function, unless the Task has already been removed by other means (e.g. by the use of the ImplicitDeactivationAllowed flag, see ETSI TS 103 221-1 [7] clause 6.2.1.2).

Other deployments compliant with ETSI TS 103 221-1 [7] may be used subject to local agreement.

5.2.3 Usage for realising LI_X1 (management)

For the purposes of realising LI_X1 between the LIPF and a triggered POI, the LIPF plays the role of the "ADMF" as defined in ETSI TS 103 221-1 [7] reference model (clause 4.2), and the triggered POI plays the role of the "NE".

5.2.4 Service scoping

The LIPF shall be able to provision the POI, TFs and the MDF2/MDF3 according to the service scoping (see clause 4.4) applicable to a warrant as described in clause 6.2.1.2 and Annex C of ETSI TS 103 221-1 [7].

If there is a need to explicitly identify specific CSP service types to be intercepted by the task, the LIPF shall include the ListOfServiceTypes parameter in the TaskDetails of the provisioning message sent to the POIs/TFs. If no service type is provisioned, the POIs shall generate and deliver applicable interception product for all services specified for the NF where the POI is located as described in clause 4.4.2.

If there is a need to explicitly identify specific CSP service types to be delivered by the task, the LIPF shall populate the ServiceType in the ServiceScoping parameter in the MediationDetails of the provisioning message sent to the MDF2/MDF3. If the LIPF includes the ListOfServiceTypes parameter in the TaskDetails of the provisioning message sent to the MDF2/MDF3, the MDF2/MDF3 shall ignore this parameter.

5.2.5 Usage for realising LI_T2

For the purposes of realising LI_T2 between an IRI-TF and a triggered IRI-POI, the IRI-TF plays the role of the "ADMF" as defined in the ETSI TS 103 221-1 [7] reference model (clause 4.2), and the triggered IRI-POI plays the role of the "NE".

In case the IRI-TF receives from the triggered IRI-POI an error in the answer to a triggering message, the IRI-TF shall send a ReportTaskIssue message to the LIPF. In such case, the failure of LI shall not impact the target's or other users' services.

Unless otherwise specified, an IRI-TF shall set the ProductID field in any ActivateTask or ModifyTask message issued to a triggered IRI-POI (see ETSI TS 103 221-1 [7] clause 6.2.1.2). The IRI-TF shall set the ProductID to the XID of the Task object associated with the interception at the IRI-TF in order to allow correlation of LI product at the MDF2.

Unless otherwise specified, the TF shall include the MDF2 as the X2 delivery destination in the trigger sent using the ActivateTask/ModifyTask with "X2Only".

When the IRI-TF determines that it is required to remove a Task at a particular IRI-POI (e.g. having detected the end of a session) it shall send a DeactivateTask message for the relevant Task to that IRI-POI, unless the Task has already been removed by other means (e.g. by the use of the ImplicitDeactivationAllowed flag, see ETSI TS 103 221-1 [7] clause 6.2.12).

When the IRI-TF receives a DeactivateTask message or ModifyTask message from the LIPF, the IRI-TF shall send DeactivateTask or ModifyTask messages to all applicable triggered IRI-POIs for all tasks associated to the Task object in the message from the LIPF.

When the IRI-TF reports the status of a Task via a GetTaskDetailsResponse or GetAllDetailsResponse, the IRI-TF shall also report the details of each 'delegated' Task that the IRI-TF is maintaining at an IRI-POI as a result of that Task. The details are given using the DelegatedTaskStatus structure described in Table 5.2.5-1 below, which is placed in the TaskStatusExtensions element of the TaskStatus structure in the response (see ETSI TS 103 221-1 [7] clause 6.4.2.2).

Table 5.2.5-1: DelegatedTaskStatus definition

ETSI TS 103 221-1 field name	Description	M/C/O
ListOfDelegatedTasks	List of DelegatedTask structures (see Table 5.2.5-2).	M

Table 5.2.5-2: DelegatedTask definition

ETSI TS 103 221-1 field name	Description	M/C/O
NEID	NE Identifier (see ETSI TS 103 221-1 [7] clause 6.1) of the triggered POI where the TF is maintaining the relevant Task.	M
TaskDetails	Contains a copy of the relevant Task, as maintained by the TF at the triggered POI.	M
TaskStatus	Copy of the last TaskStatus information received from the triggered POI regarding the relevant Task, if available.	C
LastTaskStatusTime	Time at which the TaskStatus information was received. Shall be present if TaskStatus is supplied.	C

5.2.6 Usage for realising LI_T3

For the purposes of realising LI_T3 between a CC-TF and a triggered CC-POI, the CC-TF plays the role of the "ADMF" as defined in the ETSI TS 103 221-1 [7] reference model (clause 4.2), and the triggered CC-POI plays the role of the "NE".

In case the CC-TF receives from the triggered CC-POI an error in the answer to a triggering message, the CC-TF shall send a ReportTaskIssue message to the LIPF. In such case, the failure of LI shall not impact the target's or other users' services.

Unless otherwise specified, a CC-TF shall set the ProductID field in any ActivateTask or ModifyTask message issued to a triggered CC-POI (see ETSI TS 103 221-1 [7] clause 6.2.1.2). The CC-TF shall set the ProductID to the XID of the Task object associated with the interception at the CC-TF in order to allow correlation of LI product at the MDF3.

Unless otherwise specified, the TF shall include MDF3 as the X3 delivery destination in the trigger sent using the ActivateTask/ModifyTask with "X3Only".

When the CC-TF determines that it is required to remove a Task at a particular CC-POI (e.g. having detected the end of a session) it shall send a DeactivateTask message for the relevant Task to that CC-POI, unless the Task has already been removed by other means (e.g. by the use of the ImplicitDeactivationAllowed flag, see ETSI TS 103 221-1 [7] clause 6.2.12).

When the CC-TF receives a DeactivateTask message or ModifyTask message from the LIPF, the CC-TF shall send DeactivateTask or ModifyTask messages to all applicable triggered CC-POIs for all tasks associated to the Task object in the message from the LIPF.

When the CC-TF reports the status of a Task via a GetTaskDetailsResponse or GetAllDetailsResponse, the CC-TF shall also report the details of each 'delegated' Task that the CC-TF is maintaining at an CC-POI as a result of that Task, using the mechanism described in clause 5.2.5.

5.2.7 Usage for realising LI_XEM1

For the purposes of realising LI_XEM1 between the LIPF and an IEF, the LIPF plays the role of the ADMF as defined in ETSI TS 103 221-1 [7] reference model (clause 4.2), and the IEF plays the role of the NE.

The IEF shall be enabled by sending the following ActivateTask message from the LIPF.

NOTE: The terms identifier and identity are used interchangeably in clause 5.2.7.

Table 5.2.7-1: ActivateTask message for activating an IEF

ETSI TS 103 221-1 field name	Description	M/C/O
XID	Shall be set to a value assigned by the LIPF.	M
TargetIdentifiers	Shall contain a single Target Identifier of type "IdentityAssociation" (see table 5.2.7-2)	M
DeliveryType	Set to "X2Only".	M
ListOfDIDs	Shall give the DID of the delivery endpoint of the ICF(s) to which identity association events should be delivered. These delivery endpoints are configured using the CreateDestination message as described in ETSI TS 103 221-1 [7] clause 6.3.1 prior to the task activation.	M

The following Target Identifier Type is defined for the use of LI_XEM1. Unless otherwise specified, use of any other Target Identifier Type (including adding a target identifier more than once) shall result in the ActivateTask message being rejected with the appropriate error.

Table 5.2.7-2: Target Identifier Type for LI_XEM1

Identifier type	Owner	ETSI TS 103 221-1 [7] TargetIdentifier type	Definition
IdentityAssociationTargetIdentifier	3GPP	TargetIdentifierExtension / IdentityAssociationTargetIdentifier	Empty tag (see XSD schema)

The IEF may be reconfigured to send identity associations to a different ICF using a ModifyTask message to modify the delivery destinations.

The IEF shall be disabled by sending the following DeactivateTask message from the LIPF.

Table 5.2.7-3: DeactivateTask message for de-activating an IEF

ETSI TS 103 221-1 field name	Description	M/C/O
XID	Shall be set to the value assigned by the LIPF	M

The LIPF should send one ActivateTask command to each IEF.

NOTE: The IEF may receive multiple ActivateTask messages conforming to table 5.2.7-1, each of which can be independently deactivated. The IEF shall remain active as long as at least one valid Task remains active.

5.2.8 Traffic policies

The LIPF shall be able to provision the POI, TFs and the MDF2/MDF3 with Traffic Policies as described in ETSI TS 103 221-1 [7] Annex F.

Whether the Traffic Policies are applied on a per-task basis (at the POIs or the MDF2/MDF3) or they are applied at the LIID level is up to implementation.

Additional information on the use of Traffic Policies in this document is described in clause 4.5.

5.3 Protocols for LI_X2 and LI_X3

5.3.1 General usage of ETSI TS 103 221-2

Functions having an LI_X2 or LI_X3 interface shall support the use of ETSI TS 103 221-2 [8] to realise the interface.

In the event of a conflict between ETSI TS 103 221-2 [8] and the present document, the terms of the present document shall apply.

Table 5.3.1-1 shows the minimum details of xIRI records sent over LI_X2 and xCC messages sent over LI_X3 in addition to those described in 103 221-2 [8].

Table 5.3.1-1: LI_X2/LI_X3 message details

ETSI TS 103 221-2 [8] field name	Description
XID	Shall contain the appropriate XID as received in the relevant LI_X1 provisioning message (or LI_T2/LI_T3 triggering message, as appropriate), noting that the appropriate XID may be given in the ProductID field.
Correlation ID	Shall contain the Correlation ID generated by the IRI-POI or as received in the relevant LI_X1 provisioning message (or LI_T2/LI_T3 triggering message, as appropriate).
Conditional Attribute Fields	Additional details for conditional attribute fields are provided in Table 5.3.1-2.

Table 5.3.1-2 shows the minimum details for the Conditional Attribute Fields included in xIRI records sent over LI_X2 and xCC messages sent over LI_X3 in addition to those described in 103 221-2 [8].

Table 5.3.1-2: LI_X2/LI_X3 conditional attributes

ETSI TS 103 221-2 [8] Conditional Attribute Type	Description
Network Function ID (NFID)	Unless otherwise specified, the NFID conditional attribute (see ETSI TS 103 221-2 [8] clause 5.3.7) shall be set to indicate the NF that contains the POI. The NFID is defined as a unique identifier assigned to the NF by the network (e.g. FQDN) per carrier implementation and referred to in the following clauses.
Interception Point ID (IPID)	Unless otherwise specified, the IPID conditional attribute (see ETSI TS 103 221-2 [8] clause 5.3.8) shall be set to indicate the POI (within the NF) that generated the xIRI for the conditional attribute field.

Additional details specific to xIRI records can be found in clause 5.3.2.

Additional details specific to xCC messages can be found in clause 5.3.3.

5.3.2 Usage for realising LI_X2

Table 5.3.2-1 shows the minimum details of xIRI records sent over LI_X2 in addition to those described in 103 221-2 [8] and clause 5.3.1.

Table 5.3.2-1: Additional xIRI record details

ETSI TS 103 221-2 [8] field name	Description
PDU Type	The PDU Type field (see ETSI TS 103 221-2 [8] clause 5.1) shall be set to "X2 PDU" (see ETSI TS 103 221-2 [8] clause 5.2.2).
Payload Direction	Where a single xIRI is sent as a result of a network procedure (i.e. as result of several signalling messages exchanged between the target UE and the network), the Payload Direction field (see ETSI TS 103 221-2 [8] clause 5.2.6) shall be set based on the initiator of the network procedure.
Payload Format	Unless otherwise specified by the relevant clause, the payload format (see ETSI TS 103 221-2 [8] clauses 5.2.5 and 5.4) shall be set to the value 2. If the Payload does not consist of a BER-encoded <i>@TS33128Payloads.XIRIPayload</i> structure, the Payload Format (see ETSI TS 103 221-2 [8] clauses 5.2.5 and 5.4) shall be set according to the relevant clause of the present document.
Payload	Unless otherwise specified by the relevant clause, the payload shall consist of a BER-encoded <i>@TS33128Payloads.XIRIPayload</i> (See Table 5.3.2-3) structure.
Conditional Attribute Fields	Additional details for conditional attribute fields are provided in Table 5.3.2-2.

Table 5.3.2-2 shows the minimum details for the Conditional Attribute Fields included in xIRI records sent over LI_X2 and xCC messages sent over LI_X3 in addition to those described in 103 221-2 [8] and Table 5.3.1-2.

Table 5.3.2-2: Additional xIRI conditional attributes

ETSI TS 103 221-2 [8] Conditional Attribute Type	Description
Timestamp	Unless otherwise specified, the Timestamp (see ETSI TS 103 221-2 [8] clause 5.3.10) shall be present and set to the time at which the event occurred.
Sequence Number	Unless otherwise specified, the Sequence Number (see ETSI TS 103 221-2 [8] clause 5.3.9) shall be present.
Matched Target Identifier	Shall be set to indicate what target identity was matched to generate the xIRI (see ETSI TS 103 221-2 [8] clause 5.3.18).
Other Target Identifier	Shall be set with all other target identities present at the NF that contains the POI (see ETSI TS 103 221-2 [8] clause 5.3.19).

Table 5.3.2-3 shows details for the *@TS33128Payloads.XIRIPayload*.

Table 5.3.2-3: Payload details for xIRIPayload

Field name	Type	Cardi nality	Description	M/C /O
xIRIPayloadOID	RELATIVE-OID	1	Shall be populated with the value of the <i>xIRIPayloadOID</i> specified in the version of the ASN.1 used by the IRI-POI to generate the xIRI record.	M
event	XIRIEvent	1	Shall be populated with the event specified in the relevant clause of the present document.	M

The TLS transport profile (see ETSI TS 103 221-2 [8] clause 6) shall be supported and used by default.

5.3.3 Usage for realising LI_X3

Table 5.3.3-1 shows the minimum details of xCC messages sent over LI_X3 in addition to those described in 103 221-2 [8] and clause 5.2.1.

Table 5.3.3-1: Additional xCC message details

ETSI TS 103 221-2 [8] field name	Description
PDU Type	The PDU Type field (see ETSI TS 103 221-2 [8] clause 5.1) shall be set to "X3 PDU" (see ETSI TS 103 221-2 [8] clause 5.2.2).
Payload Direction	The payload direction shall be set as specified in the relevant clause of the present document or based on the direction of the intercepted payload.
Payload Format	The payload format shall be set as specified in the relevant clause of the present document.
Payload	The payload shall be populated as specified in the relevant clause of the present document.
Conditional Attribute Fields	Additional details for conditional attribute fields are provided in Table 5.3.3-2.

Table 5.3.3-2: Additional xCC conditional attributes

ETSI TS 103 221-2 [8] Conditional Attribute Type	Description
Timestamp	Unless otherwise specified, the Timestamp (see ETSI TS 103 221-2 [8] clause 5.3.10) shall be present and set to the time at which the xCC is generated.
Sequence Number	Unless otherwise specified, the Sequence Number (see ETSI TS 103 221-2 [8] clause 5.3.9) shall be present.

If defined by LI for a specific 3GPP-defined-network deployment (see clause 6) or a specific 3GPP-defined service (see clause 7), the POI may use the Additional XID Related Information attributes to facilitate efficient delivery of xCC, as specified in ETSI TS 103 221-2 [8] clause 5.3.22.

NOTE: ETSI TS 103 221-2 [8] specifies in clause 6 a default profile which is mandatory to support, but allows further profiles to be defined. In scenarios where it may not be possible to achieve the necessary LI data rates based on the default profile, alternative profiles may be considered (e.g. based on UDP, multi path TCP or other protocols). Any alternative profile needs to ensure that LI reliability, security and completeness requirements as specified in TS 33.126 [3] are met.

5.3.4 Service scoping

When applicable, the POIs shall deliver the xIRIs/xCC to MDF2/MDF3 over LI_X2/LI_X3 according to the service scoping as provisioned by the LIPF to them (see clause 5.2.4).

5.3.5 Usage for realising LI_X2_LA

Functions having an LI_X2_LA interface shall use the protocols for LI_X2 as defined in clause 5.3.2 to realise the interface with the following additions.

The LI function sending the message over LI_X2_LA shall set the Payload Direction field in the PDU header to *not applicable* (Direction Value 5, see ETSI TS 103 221-2 [8] clause 5.2.6).

5.4 Protocols for LI_HI1

5.4.1 General

Functions having an LI_HI1 interface shall support the use of ETSI TS 103 120 [6] to realise the interface.

In the event of a conflict between ETSI TS 103 120 [6] and the present document, the terms of the present document shall apply.

The representation of tasking requests shall be as specified in the present clause.

Each request to intercept a particular identifier shall be represented as an LITaskObject (see ETSI TS 103 120 [6] clause 8.2). Table 5.4.1-1 shows the minimum details required for the LITaskObject to be valid.

Table 5.4.1-1: LITaskObject details

ETSI TS 103 120 [6] field name	Description	M/C/O
Reference	Set to the LIID associated with the interception.	M
DesiredStatus	Set to "Active" to indicate that LI should commence.	M
TimeSpan	At a minimum, EndTime shall be set.	M
TargetIdentifier	See table 5.4.1-2.	M
DeliveryType	Set to the appropriate delivery type (IRI, CC or both).	M
DeliveryDetails	Shall include at least one appropriate LI delivery destination.	M

Table 5.4.1-2: LITaskObject TargetIdentifier details

ETSI TS 103 120 [6] field name	Description	M/C/O
TargetIdentifierValues	Shall contain at least one valid target identifier.	M
ServiceType	If used, set to the appropriate service scoping dictionary value as defined in clause 5.4.2.	O

5.4.2 Service scoping

Functions having an LI_HI1 interface (i.e. the ADMF) shall be able to receive the service scoping as applicable to the warrant from the LEA over the LI_HI1 interface (see clause 4.4).

Where TS 103 120 [6] is used to realise LI_HI1, and where the details in clause 5.4.1 apply, the ServiceType field of the TargetIdentifier in a given LITaskObject shall be used to identify the appropriate service scoping. For each service scoping type defined in clause 4.4.2 that is required, the appropriate dictionary entry defined in table 5.4.2-1 below shall

be included in the ServiceType field. If no service type is required to be provisioned, the ServiceType field shall be omitted.

Table 5.4.2-1: ServiceType Dictionary

Dictionary Owner	Dictionary Name
3GPP	ServiceType
Defined DictionaryEntries	
Value	Meaning
Voice	Service scoping shall include the Voice service type as given in clause 4.4.2.
Data	Service scoping shall include the Data service type as given in clause 4.4.2.
Messaging	Service scoping shall include the Messaging service type as given in clause 4.4.2.
PTC	Service scoping shall include the Push-to-Talk service type as given in clause 4.4.2.
LALS	Service scoping shall include the LALS service type as given in clause 4.4.2.
RCS	Service scoping shall include the RCS service type as given in clause 4.4.2.

5.4.3 Location acquisition

When required for location acquisition, the warrant sent over the LI_HI1 interface will specify the delivery method using task flags populated as shown in table 5.4.3-1. If the delivery method is HI2Delivery (via MDF2), the LIPF shall ensure that the MDF2 (clause 7.3.5.6.1) is provisioned. Subsequently, the LAF will use this information while processing location acquisition requests received over the LI_HILA interface.

Table 5.4.3-1: LATaskFlag Dictionary for LI_HI1

Dictionary Owner	Dictionary Name
3GPP	LATaskFlag
Defined DictionaryEntries	
Value	Meaning
HILADelivery	The location information shall be delivered via the LI_HILA interface.
HI2Delivery	The location information shall be delivered via the LI_HI2 interface.

5.4.4 Traffic policies

Functions having an LI_HI1 interface (i.e. the ADMF) shall be able to receive Traffic Policies as applicable to an intercept task over the LI_HI1 interface (see clause 4.5.2).

Where ETSI TS 103 120 [6] is used to realise LI_HI1, and where the details in clause 5.4.1 apply, when the use of Traffic Policies is required, the ListOfTrafficPolicyReferences field in a given LITaskObject shall be used to identify the appropriate Traffic Policies for that task. The referenced TrafficPolicyObjects shall be defined as described in ETSI TS 103 120 [6] prior to being referenced in an LITaskObject.

Unless otherwise specified, Traffic Policies shall not be used in place of service scoping.

Additional information on the use of Traffic Policies in this document is described in clause 4.5.

5.5 Protocols for LI_HI2 and LI_HI3

5.5.1 General

Functions having an LI_HI2 or LI_HI3 interface shall support the use of ETSI TS 102 232-1 [9] and ETSI TS 102 232-7 [10] to realise the interface.

In the event of a conflict between either specification and the present document, the terms of the present document shall apply.

Messages sent over LI_HI2 or LI_HI3 are structured as a header and a payload.

The header contains general information like LIID, timestamp, correlation information. Table 5.5.1-1 shows the minimum header details for IRI messages sent over LI_HI2 and CC messages sent over LI_HI3 in addition to those described in 102 232-1 [9] and ETSI TS 102 232-7 [10].

Table 5.5.1-1: LI_HI2/LI_HI3 message header details

ETSI TS 102 232-1 [9] field name	Description
Lawful Interception Identifier (LIID)	Shall be set based on agreement between the network operator and the LEA. See ETSI TS 102 232-1 [9] clause 5.2.2.
Communication Identifier	Contains correlation information. Unless otherwise specified, shall be present and populated as described in the relevant clause of the present document. See ETSI TS 102 232-1 [9] clause 5.2.4.
Timestamp	Unless otherwise specified, the timestamp shall be set to the time the event was observed at the POI (i.e. the timestamp field of the xIRI or xCC). See ETSI TS 102 232-1 [9] clause 5.2.6.
Timestamp Qualifier	Unless otherwise specified, the timestamp qualifier (see ETSI TS 102 232-1 [9] clause 5.2.6) shall be present.
Network Function Identifier	The Network Function Identifier (see ETSI TS 103 232-1 [9] clause 5.2.14 and ETSI TS 102 232-7 [10] clause 15.3) shall be populated with a value mapped from the NFID conditional attribute field (see Table 5.3.1-2) if the message received over LI_X2 or LI_X3 contains the NFID conditional attribute.
Extended Interception Point Identifier	The Extended Interception Point Identifier (see ETSI TS 102 232-1 [9] clause 5.2.13) shall be populated with a value mapped from the IPID conditional attribute field (see Table 5.3.1-2) if the message received over LI_X2 or LI_X3 contains the IPID conditional attribute.

The payload contains information that the MDF has received from sources in the network, such as the POI as described in clauses 6 and 7 of the present document.

5.5.2 Usage for realising LI_HI2

The payload of IRI messages contains intercept related information. Details of the IRI messages can be found in Annex A of the present document.

Table 5.5.2-1 shows the minimum payload details for IRI messages sent over LI_HI2 in addition to those described in 102 232-1 [9] and ETSI TS 102 232-7 [10].

Table 5.5.2-1: LI_HI2 ETSI TS 102 232-1 [9] PS-PDU IRIPayload details

ETSI TS 102 232-1 [9] field name	Description
IRI-Type	The IRI-Type (see ETSI TS 102 232-1 [9] clause 5.2.10) shall be populated as specified in the relevant clause of the present document.
Timestamp	Shall be present and populated as described in ETSI TS 102 232-1 [9] clause 6.2.3 when payload aggregation is used.
IRI Contents	Unless otherwise specified, the IRI Contents field shall be set to the threeGPP33128DefinedIRI choice (see TS ETSI 102 232 -7 [10] clause 15) and populated with a BER-encoded <i>@TS33128Payloads.IRIPayload</i> . See Table 5.5.2-2.
Timestamp Qualifier	Unless otherwise specified, if the timestamp field is set, the timestamp qualifier (see ETSI TS 102 232-1 [9] clause 5.2.6) shall be present and set to "timeOfInterception(1)".
Network Function Identifier	The Network Function Identifier (see ETSI TS 103 232-1 [9] clause 5.2.14 and ETSI TS 102 232-7 [10] clause 15.3) shall be populated with a value mapped from the NFID conditional attribute field (see Table 5.3.1-2) if the message received over LI_X2 or LI_X3 contains the NFID conditional attribute.
Extended Interception Point Identifier	The Extended Interception Point Identifier (see ETSI TS 102 232-1 [9] clause 5.2.13) shall be populated with a value mapped from the IPID conditional attribute field (see Table 5.3.1-2) if the message received over LI_X2 or LI_X3 contains the IPID conditional attribute.

Table 5.5.2-2 shows details for the *@TS33128Payloads.IRIPayload*.

Table 5.5.2-2: Payload details for IRIPayload

Field name	Type	Cardinality	Description	M/C /O
iRIPayloadOID	RELATIVE-OID	1	Shall be populated with the value of the <i>iRIPayloadOID</i> specified in the version of the ASN.1 used by the MDF2 to generate the IRI record.	M
event	IRIEvent	1	Unless otherwise specified, if the IRI event is generated from a <i>XIRIPayload</i> received over LI_X2, then MDF2 shall choose the same choice for the <i>IRIPayload.event</i> that was received in the <i>xIRIPayload.event</i> . If the IRI event is generated due to another cause, the MDF2 shall choose the <i>IRIPayload.event</i> appropriate for reporting the IRI event.	M
targetIdentifiers	SEQUENCE OF IRIIdentifier	0..MAX	Shall be populated with all the Target Identifiers available at the MDF2. See clause 5.5.5 for additional details. This parameter is conditional only for backwards compatibility.	C
mediatedFromIndicator	MediatedFromIndicator	0..1	Shall be present if the IRI is generated from an <i>xIRIPayload</i> received over LI_X2 and the release and version of the <i>xIRIPayload.relativeOID</i> is different from the release and version of the <i>IRIPayload.relativeOID</i> . The <i>IRIPayload.mediatingFromIndicator.xIRIRelativeOID</i> choice shall be used and set to the value of the <i>xIRIPayload.relativeOID</i> of the <i>xIRI</i> message used to generate the IRI message.	C

5.5.3 Usage for realising LI_HI3

The payload of CC messages contains content of communication. Details of the CC can be found in Annex A of the present document.

Table 5.5.3-1 shows the minimum payload details for CC messages sent over LI_HI3 in addition to those described in 102 232-1 [9] and ETSI TS 102 232-7 [10].

Table 5.5.3-1: LI_HI3 ETSI 102 232-1 [9] PS-PDU CCPayload details

ETSI TS 102 232-1 [9] field name	Description
Timestamp	Unless otherwise specified, when multiple CC records are aggregated in a single LI_HI3 message, this timestamp shall be set to the time the communication was observed at the POI (i.e. the timestamp field of the <i>xCC</i>). See ETSI TS 102 232-1 [9] clause 5.2.6.
CC Contents	Unless otherwise specified, the CC Contents field shall be set to the <i>threeGPP33128DefinedCC</i> choice (see TS ETSI 102 232-7 [10] clause 15) and populated with a BER-encoded <i>@TS33128Payloads.CCPayload</i> . See Table 5.5.3-2.

NOTE: ETSI TS 102 232-1 [9] specifies in clause 6.4 a transport layer based on TCP. However, based on agreement between network operator and LEA, in scenarios where it may not be possible to achieve the necessary LI data rates based on the transport layer based on single TCP connection, alternative profiles may be considered (e.g. based on UDP, multi path TCP or other protocols). Any alternative profile needs to ensure that LI reliability, security and completeness requirements as specified in TS 33.126 [3] are met.

Table 5.5.3-2 shows details for the *@TS33128Payloads.CCPayload*.

Table 5.5.3-2: Payload details for CCPayload

Field name	Type	Cardinality	Description	M/C /O
cCPayloadOID	RELATIVE-OID	1	Shall be populated with the value of the <i>cCPayloadOID</i> specified in the version of the ASN.1 used by the MDF3 to generate the CC record.	M
pDU	CCPDU	1	Shall be populated as described in the relevant clause of the present document.	M

5.5.4 Service scoping

The MDF2 and MDF3 shall be able to deliver the IRI messages and the CC to the LEMF over LI_HI2 and LI_HI3 respectively, according to the provisioned service scoping (see clause 5.2.4).

5.5.5 IRI Target Identifiers

The MDF shall populate the TargetIdentifiers field of the IRIPayload defined in Annex A with all Target Identifiers available at the MDF. For all Identifiers received in the LI_X2 "Matched Target Identifier" conditional attribute (see clause 5.3.2), the MDF shall include the relevant Identifier with the provenance set to "matchedOn". For all Identifiers received in the LI_X2 "Other Target Identifier" conditional attribute (see clause 5.3.2), the MDF shall include the relevant Identifier with the provenance set to "other". For all Identifiers present in the xIRI payload, the MDF shall include the relevant Identifier with the provenance set to "observed". For all Identifiers present in the provisioning message received over X1, the MDF shall include the relevant Identifier with the provenance set to "IEAProvided". For all Identifiers present in the MDF that are not reported as other TargetIdentifiers, the MDF shall include the relevant Identifier with the provenance set to "other".

5.6 Protocols for LI_HI4

5.6.1 General

Functions having an LI_HI4 shall support the use of ETSI TS 102 232-1 [9] to realise the interface.

In the event of a conflict between ETSI TS 102 232-1 [9] and the present document, the terms of the present document shall apply.

5.6.2 Usage for realising LI_HI4

The LI Notification messages sent over LI_HI4 are structured as a header and a payload. The header contains general information like LIID, timestamp (as for example defined in ETSI TS 102 232-1 [9]). The payload contains the administrative information such as notification. Details of the LI Notification messages can be found in Annex B of the present document.

Where the LI_HI4 interface is present alongside an LI_HI2 interface or LI_HI3 interface, the LI Notification messages shall be transmitted along the same connection as the IRI messages or CC. Where ETSI TS 102 232-1 [9] is used for LI_HI2 or LI_HI3, messages defined as passing over the LI_HI4 interface shall be passed in the hI4Payload sequence.

The MDF2/MDF3 shall support generation LI Notification messages for at least the following events:

- Activation of an interception at the MDF2/MDF3 via LI_X1.
- Modification of an interception at the MDF2/MDF3 via LI_X1.
- Deactivation of an interception at the MDF2/MDF3 via LI_X1.

5.7 Protocols for LI_HIQR

5.7.1 General

Functions having an LI_HIQR interface shall support the use of ETSI TS 103 120 [6] to realise the interface.

In the event of a conflict between ETSI TS 103 120 [6] and the present document, the terms of the present document shall apply.

NOTE: The terms identifier and identity are used interchangeably in clause 5.7.

5.7.2 Usage for realising LI_HIQR

5.7.2.1 Request structure

LI_HIQR requests are represented by issuing a CREATE request for an LDTaskObject (see ETSI TS 103 120 [6] clause 8.3), populated as follows:

Table 5.7.2-1: LDTaskObject representation of LI_HIQR request

Field	Value	M/C/O
Reference	Reference to the authorization under which the request is made. The format of this field, and any procedures for allocating or validating it, are for national agreement.	M
DesiredStatus	Shall be set to "AwaitingDisclosure".	M
RequestDetails	Set according to table 5.7.2-2 below.	M
DeliveryDetails	Shall be set to indicate the delivery destination for the LI_HIQR records (see clause 5.7.2.3 and ETSI TS 103 120 [6] clause 8.3.6.2) unless the delivery destination is known via other means.	C

The use of any other LDTaskObject parameter is outside the scope of the present document.

Table 5.7.2-2: RequestDetails structure

Field	Value	M/C/O
Type	Shall be set to one of the RequestType values as defined in table 5.7.2-3.	M
ObservedTime	When the RequestValues provides a temporary identity, this field shall be set to the observation time of that temporary identity. When the RequestValues provides a permanent identity, this field may be set to the time at which the LEA requires that the permanent to temporary association is applicable. If no ObservedTime is provided the IQF shall assume it is being asked for the most recent association, if any exists (see clause 5.8.4). Shall not be present for requests of type "OngoingIdentityAssociation".	C
RequestValues	Set to the target identifier plus additional information required (see clause 5.7.2.2).	M

NOTE: If the observed time is in the past, providing a successful query response is subject to associations still being available in the cache when the query is made to the ICF.

Table 5.7.2-3: RequestType Dictionary for LI_HIQR

Dictionary Owner	Dictionary Name
3GPP	RequestType
Defined DictionaryEntries	
Value	Meaning
IdentityAssociation	A request for a single IdentityResponseDetails response to the query provided.
OngoingIdentityAssociation	A request for an ongoing series of IdentityResponseDetails responses matching the query provided. May only be used when the RequestValues contains a permanent identifier. The request shall be terminated by updating the LDTaskObject DesiredStatus to "Disclosed".

Table 5.7.2-3 is formatted in accordance with ETSI TS 103 120 [6] Annex F.

5.7.2.2 Request parameters

The RequestValues field shall contain one of the following:

- SUPI, given in either SUPIIMSI or SUPINAI formats as defined in ETSI TS 103 120 [6] clause C.2.
- SUCI, given as defined in table 5.7.2-4 below.
- 5G-S-TMSI, given as defined in table 5.7.2-4 below.
- 5G-GUTI, given as defined in table 5.7.2-4 below.

If the RequestType is "OngoingIdentityAssociation" (see table 5.7.2-3), SUPI is the only valid identity type in the RequestValues field. If the RequestType is "OngoingIdentityAssociation" and any other identity type is provided, the IQF shall signal the error by setting the LDTaskObject Status to "Invalid" (see ETSI TS 103 120 [6] clause 8.3.3).

If a temporary identity is provided, the following may also be present as RequestValues:

- NRCellIdentity, given as defined in table 5.7.2-4 below.

If a temporary identity is provided, the following shall also be present as RequestValues:

- TrackingAreaCode, given as defined in table 5.7.2-4 below.

The following RequestValue FormatTypes (see ETSI TS 103 120 [6] clause 8.3.5.4) are defined (which are not otherwise defined elsewhere).

Table 5.7.2-4: RequestValue FormatType extensions for LI_HIQR Requests

Format Owner	Format Name	Description	Format
3GPP	SUCI	Subscription Concealed Identifier as per TS 23.003 [19] clause 2.2B.	TS 29.509 [45] clause 6.1.6.3.2
3GPP	5GSTMSI	Shortened form of the 5G-GUTI as defined in TS 23.003 [19] clause 2.11. Given as a hyphen-separated concatenation of: <ul style="list-style-type: none"> - The string "5gstmsi". - The AMF Set ID given as three hexadecimal digits (10 bits). - The AMF Pointer given as two hexadecimal digits (6 bits). - The 5G-TMSI given as eight hexadecimal digits (32 bits). 	Matches regular expression: $\wedge(5gstmsi-([0-3][0-9A-Fa-f]{2})-([0-3][0-9A-Fa-f])-([0-9A-Fa-f]{8}))\wedge$
3GPP	5GGUTI	As defined in TS 23.003 [19] clause 2.10. Given as a hyphen-separated concatenation of: <ul style="list-style-type: none"> - The string "5gguti". - MCC given as a three decimal digits. - MNC given as a two or three digit decimal digits. - AMF Region ID given as two hexadecimal digits (8 bits). - The AMF Set ID, AMF Pointer and 5G-TMSI as defined above in 5GSTMSI. 	Matches regular expression: $\wedge(5gguti-([0-9]{3})-([0-9]{2,3})-([0-9A-Fa-f]{2})-([0-3][0-9A-Fa-f]{2})-([0-3][0-9A-Fa-f])-([0-9A-Fa-f]{8}))\wedge$
3GPP	NRCellIdentity	NR Cell ID (NCI), as defined in TS 23.003 [19] clause 19.6A.	TS 29.571 [17] clause 5.4.2
3GPP	TrackingAreaCode	Tracking area code as defined in TS 23.003 [19] clause 19.4.2.3.	TS 29.571 [17] clause 5.4.2

The LDTaskObject may also contain LDTaskFlags (see table 5.7.2-4A). If the IncludeNCGIInResponse LDTaskFlag is present for such a query, then the response shall contain the NR Cell Global Identity associated with the SUPI at the time of association (see table 5.7.2-5). If additional CGIs are available at the IEF when the identity association is reported, the additional CGIs that are available shall be delivered in the AdditionalCGIs field in the response (see table 5.7.2-5).

Table 5.7.2-4A: LDTaskFlags for LI_HIQR Requests

Dictionary Owner	Dictionary Name
3GPP	LIHIQRFlags
Defined DictionaryEntries	
Value	Meaning
IncludeNCGIInResponse	A request for returning the NCGI and additional CGIs in the response.
IncludeCSIInResponse	If the IncludeNCGIInResponse flag is set to true, the IncludeCSIInResponse flag may also be set to true to return cell site information (see clause 5.7.2.3).

5.7.2.3 Response structure

The LI_HIQR request is used to generate a request to the ICF over LI_XQR (see clause 5.8). The response received over LI_XQR is then transformed into an LI_HIQR response.

LI_HIQR responses and updates are represented as XML following the IdentityResponseDetails type definition (see Annex E).

When an NCGI is present within a response details structure and the IncludeCSIInResponse flag is set to true in the LI_HIQR request, the IQF shall retrieve the cell site information and associated cell radio related information (e.g. OAM system or CSP cell database information) for the reported cell and deliver the same to the LEMF within the LI_HIQR response message.

NOTE: For cells with mobility, the CSP should ensure that the cell site information (e.g. cell site location) reported correlates to the observed NCGI and NCGItime that is in the IdentityAssociationRecord.

Responses and updates are delivered within a DELIVER Request (see ETSI TS 103 120 [6] clause 6.4.10) containing a DeliveryObject (see ETSI TS 103 120 [6] clause 10).

IdentityResponseDetails contain IdentityAssociation records. The fields of each IdentityAssociationRecord shall be set as follows:

Table 5.7.2-5: IdentityAssociationRecord

Field	Value	M/C/O
SUPI	SUPI associated with the provided identity.	M
SUCI	SUCI associated with the provided identity, if available.	C
5G-GUTI	5G GUTI associated with the provided identity, provided in the form given in the request (see table 5.7.2-4).	M
PEI	PEI associated with the provided identity during the association period, if known.	C
AssociationStartTime	The time that the association between the SUPI and the temporary identity became valid. (see NOTE).	M
AssociationEndTime	The time that the association between the SUPI and the temporary identity ceased to be valid. Shall be omitted if the association is still valid (see NOTE).	C
FiveGSTAIList	List of tracking areas associated with the registration area within which the UE was or is registered in the lifetime of the reported association, if available. See clause 7.6.2.4 for details.	C
GPSI	GPSI associated with the provided identity during the association period, if known.	C
NCGI	NR Cell Global Identity associated with the SUPI at the time of association between the SUPI and the temporary identity. Shall be sent if the "IncludeNCGIInResponse" flag is set.	C
AdditionalCGIs	The additional CGIs that are associated with the SUPI and present at the IEF at the time of the reported association. Shall be sent if the "IncludeNCGIInResponse" flag is set and if additional CGIs are available at the IEF.	C
<p>NOTE: The AssociationStartTime and AssociationEndTime represent the lifespan of the SUPI to 5G-GUTI association. When a SUCI is present, the AssociationStartTime also represents the time of the SUCI's validity.</p>		

If no association is found which matches the criteria provided in the LI_XQR request, then the LI_XQR response contains zero IdentityAssociationRecords. Similarly, the LI_HIQR response contains zero IdentityAssociationRecords.

For responses or updates providing a currently valid SUPI to 5G-GUTI identity association, the AssociationEndTime shall be absent. The AssociationStartTime shall indicate when the 5G-GUTI became associated with the SUPI. The SUCI field shall be populated if it was present in the IEF record for the association (see clause 6.2.2A.2.1). The PEI and TAI List fields may be populated as well, see clause 7.6.2.4 for details.

In the case of ongoing updates, the presence of the AssociationEndTime indicates the SUPI to 5G-GUTI identity disassociation. Such updates shall only happen when no new association is replacing the outgoing one.

The DeliveryObject Reference field (see ETSI TS 103 120 [6] clause 10.2.1) shall be set to the Reference of the LDTaskObject used in the request, to provide correlation between request and response. The DeliveryID, SequenceNumber and LastSequence fields shall be set according to ETSI TS 103 120 [6] clause 10.2.1.

The content manifest (see ETSI TS 103 120 [6] clause 10.2.2) shall be set to indicate the present document, using the following Specification Dictionary extension.

Table 5.7.2-6: Specification Dictionary

Dictionary Owner	Dictionary Name
3GPP	ManifestSpecification.
Defined DictionaryEntries	
Value	Meaning
LIHIQRResponse	The delivery contains IdentityResponseDetails (see Annex E)

5.8 Protocols for LI_XQR

5.8.1 General

LI_XQR requests are realised using ETSI TS 103 221-1 [7] to transport the IdentityAssociationRequest and IdentityAssociationResponse messages (which are derived from the X1RequestMessage and X1ResponseMessage definitions in ETSI TS 103 221-1 [7]) as described in Annex E.

NOTE: The terms identifier and identity are used interchangeably in clause 5.8.

5.8.2 Identity association requests

For requests with RequestType "IdentityAssociation" (see table 5.7.2-3), the IQF issues an IdentityAssociationRequest message populated with a RequestDetails structure as follows:

Table 5.8.2-1: RequestDetails structure for LI_XQR

ETSI TS 103 221-1 [7] field name	Description	M/C/O
Type	Shall be set to the RequestType value "IdentityAssociation" as defined in Table 5.7.2-3.	M
ObservedTime	Observation time as provided over LI_HIQR (see clause 5.7.2).	M
RequestValues	Set to the target identifier plus additional information specified in the LI_HIQR request (see clause 5.7.2).	M

Successful LI_XQR responses are returned using the IdentityAssociationResponse message. Error conditions are reported using the normal error reporting mechanisms described in TS 103 221-1 [7].

LI_XQR query responses are represented in XML following the IdentityAssociationResponse schema (see Annex E). The fields of the IdentityAssociationResponse record shall be populated as described in Table 5.7.2-5.

5.8.3 Ongoing identity association requests

For requests with RequestType "OngoingIdentityAssociation", the IQF shall activate a request for ongoing updates at the ICF by sending it an ActivateAssociationUpdates message populated as follows:

Table 5.8.3-1: ActivateAssociationUpdates message for LI_XQR

Field name	Description	M/C/O
OngoingAssociationTaskID	Unique identifier for this request allocated by the IQF.	M
SUPI	Permanent identifier for which ongoing identity association updates shall be issued.	M
Flags	This parameter shall contain the LDTaskFlags (see table 5.7.2-4A) if these flags are present in the LI_HIQR Request, see clause 5.7.2.2. In case the "IncludeNCGIInResponse" LDTaskFlag is present then the response shall contain the NR Cell Global Identity associated with the SUPI at the time of association and the additional CGIs that are available at the IEF (see table 5.7.2-5).	C

The ICF shall acknowledge the receipt of the ActivateAssociationUpdates message by responding with an ActivateAssociationUpdatesAcknowledgement response (see Annex E) containing an IdentityAssociationRecord representing the association active at the time the ICF receives the ActivateAssociationUpdates message. If no such active association exists, the ActivateAssociationUpdatesAcknowledgement response shall not contain an IdentityAssociationRecord. Error conditions are reported using the normal error reporting mechanisms described in ETSI TS 103 221-1 [7].

When a request with RequestType "OngoingIdentityAssociation" is terminated over LI_HIQR (see table 5.7.2-3), the IQF shall issue a DeactivateAssociationUpdates message (see Annex E) with the appropriate OngoingAssociationTaskID populated. On termination of the request, the ICF shall respond with a DeactivateAssociationUpdatesAcknowledgement message.

While a request with RequestType "OngoingIdentityAssociation" is active, the ICF shall generate an IdentityAssociationUpdate message every time the ICF receives an IEFAssociationRecord or IEFDeassociationRecord over LI_IEF for the relevant identifier. The message shall contain an IdentityAssociationRecord as described in table 5.7.2-5, and the relevant OngoingAssociationTaskID. The IdentityAssociationUpdate message is sent to the IQF over LI_XQR with the ICF becoming the "requester" as defined in ETSI TS 103 221-1 [7] clause 4.2. The IQF shall respond with an IdentityAssociationUpdateAcknowledgement message.

5.8.4 Latest association requests

If the IQF receives a permanent to temporary association request with RequestType "IdentityAssociation" (see table 5.7.2-3) which does not include an ObservedTime, the IQF issues a LatestAssociationRequest message populated as follows:

Table 5.8.4-1: LatestAssociationRequest message for LI_XQR

Field name	Description	M/C/O
SUPI	Permanent identifier for which the most recent association shall be provided.	M
Flags	This parameter may contain the "IncludeNCGIInResponse" LDTaskFlag (see table 5.7.2-4A) indicating if the response shall contain the NR Cell Global Identity associated with the SUPI at the time of association (see table 5.7.2-5) and the additional CGIs associated with the SUPI that are available in the IEF.	M

The corresponding successful LI_XQR responses are returned using the IdentityAssociationResponse message. The IdentityAssociationResponse message shall be populated with the most recent association present in the ICF, if available. Error conditions are reported using the normal error reporting mechanisms described in TS 103 221-1 [7].

LI_XQR query responses are represented in XML following the IdentityAssociationResponse schema (see Annex E). The fields of the IdentityAssociationResponse record shall be populated as described in Table 5.7.2-5.

5.9 Protocols for LI_XER

LI_XER records are realised using a TLS connection as defined in clause 6.2.2A.2.3, with records BER-encoded as defined in Annex F.

5.10 Protocols for LI_ST interface

5.10.1 Overview

LI_ST shall be realised using a dedicated separate instance of the Nudsf_DataRepository service as defined in TS 29.598 [64] subject to the following terms.

The LISSF shall adopt the role of the NF Service Provider as described in TS 29.598 [64] clause 5.2.1. The LISSF may be realised as a standalone function or within the ADMF. In either case it shall meet the requirements set out in TS 33.127 [5] clause 6.2.3.8.

An LI function may only store state over LI_ST using an LISSF identified by the LIPF via LI_X0. The LIPF shall provide the necessary details for connection, including the relevant apiRoot, apiVersion, realmId and storageId values (see TS 29.598 [64] clause 6.1.3.1) and any necessary keys for authentication.

5.10.2 Storage

When an LI function wishes to store LI state in the LISSF, it shall perform the Record Create service operation as described in TS 29.598 [64] clause 5.2.2.3.1. Unless otherwise specified, the recordId shall be a randomly-assigned UUID. The record metadata shall include at least the following information as tag value pairs (see TS 29.598 [64] clause 6.1.6.2.3)

Table 5.10.2-1: Minimum information elements for RecordMeta structure

Field Name	Description	M/C/O
NFInstanceID	The NF instance ID associated with the NF in which the LI function is located, if applicable (see TS 29.571 [17] clause 5.3.2).	C
NEID	The LI_X1 identifier associated with the LI function.	M
XID	XID for the task that the state is associated with, if applicable.	C
DID	DID for the destination that the state is associated with, if applicable.	C

Further details on the contents of the Record Blocks is given in the relevant clauses.

The LIPF shall always be able to store records in the LISSF.

5.10.3 Retrieval

When an LI function wishes to retrieve records from the LISSF and knows the RecordID of the relevant state information, it shall perform a Record Retrieval operation as described in TS 29.598 [64] clause 5.2.2.2.2. If the LI function does not know the RecordID, it shall perform a search as described in TS 29.598 [64] clause 5.2.2.2.6 using appropriate search criteria. The details for choosing search criteria are specific to each LI function and are therefore given in later clauses specific to that LI function.

The LIPF shall always be able to retrieve records from the LISSF.

5.10.4 Removal

When an LI function wishes to remove records from the LISSF, it shall perform a Record Delete service operation as described in TS 29.598 [64] clause 5.2.2.5.

The LIPF shall always be able to remove records from the LISSF.

5.11 Protocols for LI_HILA

5.11.1 General

Functions having a LI_HILA interface shall support the use of ETSI TS 103 120 [6] to realise the interface.

In the event of a conflict between ETSI TS 103 120 [6] and the present document, the terms of the present document shall apply.

Prior to issuing of location acquisition requests, the LEA shall provide an authorization for these requests This is done by issuing a warrant over the LI_HI1 interface prior to issuing the LI_HILA requests as described in clause 5.4.3.

5.11.2 Usage for realising LI_HILA

5.11.2.1 Request structure

LI_HILA requests are represented by issuing a CREATE request for an LDTaskObject (see ETSI TS 103 120 [6] clause 8.3), populated as follows:

Table 5.11.2.1-1: LDTaskObject representation of LI_HILA request

Field	Value	M/C/O
Reference	The LDID (as in ETSI TS 103 280 [97] with country code, unique LEA identifier, and the LIID used in the warrant as unique request identifier.	M
DesiredStatus	Shall be set to "AwaitingDisclosure".	M
RequestDetails	Set according to table 5.11.2.1-2 below.	M
DeliveryDetails	Shall be set to indicate the delivery destination for the LI_HILA records (see clause 5.11.2.3 and ETSI TS 103 120 [6] clause 8.3.6.2) unless the delivery destination is known via other means.	C

The use of any other LDTaskObject parameter is outside the scope of the present document.

Table 5.11.2.1-2: RequestDetails structure

Field	Value	M/C/O
Type	Shall be set to one of the HIAResultType values as defined in table 5.11.2.1-3.	M
RequestValues	Set to the target identifier (see clause 5.11.2.2).	M

Table 5.11.2.1-3: RequestType Dictionary for LI_HILA

Dictionary Owner	Dictionary Name
3GPP	RequestType
Defined DictionaryEntries	
Value	Meaning
LocationAcquisition	A request for location information of the target, consisting at least of the TAI and the ECGI/NCGI.

5.11.2.2 Request parameters

The RequestValues field shall contain at least one of the following:

- IMSI, given in the IMSI format as defined in ETSI TS 103 120 [6] clause C.2.
- MSISDN, given in the E.164 format as defined in ETSI TS 103 120 [6] clause C.2.
- SUPI, given in either SUPIMSI or SUPINAI formats as defined in ETSI TS 103 120 [6] clause C.2.
- GPSI, given in either GPSIMSIDN or GPSINAI formats as defined in ETSI TS 103 120 [6] clause C.2.

The LDTaskObject for a location acquisition request may also contain the "ReqCurrentLoc" LDTask flag (see table 5.11.2.2-1). If this flag is present, the LAF shall set the ReqCurrentLoc parameter in the LI_XLA request sent to the LARF to true. If this flag is absent, the LAF shall either set the ReqCurrentLoc parameter in the LI_XLA request sent to the LARF to false or not include this parameter.

Table 5.11.2.2-1: LDTaskFlags for LI_HILA Requests

Dictionary Owner	Dictionary Name
3GPP	LIHILAFlags
Defined DictionaryEntries	
Value	Meaning
ReqCurrentLoc	Indicates whether the current location of the UE is requested.

5.11.2.3 Response structure

If delivery via the LI_HI2 is required, the LARF will send the acquisition response as either an AMFLocationUpdate (in case of the 5GC) or an MMELocationUpdate (in case of the EPC) xIRI record to the MDF2 via LI_X2_LA. Full details are given in clause 7.3.5.6.

If delivery via the LI_HILA is required, the LARF returns the acquisition response as part of the LI_XLA response, which the LAF then transforms into a LI_HILA response given as a LocationResponseDetails structure (see table 5.11.2.3-1). Full details are given in clause 7.3.5. LocationResponseDetails contains LocationOutcome records.

The fields of the LocationResponseDetails structure shall be set as follows:

Table 5.11.2.3-1: LocationResponseDetails

Field	Description/Value	M/C/O
LocationOutcomes	Locations of the target if determined by the network, or failure causes. The format of each LocationOutcome shall be set as defined in table 5.11.2.3-3 in case of EPC or as defined in table 5.11.2.3-2 in case of 5GC.	C

Table 5.11.2.3-2: LocationOutcome

Field	Description/Value	M/C/O
SUPI	SUPI associated with the UE for which location is returned.	M
GPSI	GPSI associated with the UE for which location is returned. Shall be included if the GPSI of the UE for which location is returned is known.	C
Location	Location of the target if determined by the network. - It shall include a JSON ProvideLocInfo structure as defined in TS 29.518 [22] clause 6.4.6.2.6, in base-64 encoding, in case the location could be determined.	C
FailureCause	If the location acquisition procedure fails, this parameter shall be included. The values for this parameter shall be derived from values of the failure response received from the AMF. - If a ProblemDetails structure is returned, the errorDetails field shall be populated with a JSON ProblemDetails structure as defined in TS 29.571 [17] clause 5.2.4.1 in base-64 encoding.	C

Table 5.11.2.3-3: EPCLocationOutcome

Field	Description/Value	M/C/O
IMSI	IMSI associated with the UE for which location is returned.	M
MSISDNs	List of MSISDNs associated with the UE for which location is returned, if available.	C
Location	Location of the target if determined by the network. It shall include the MME-Location-Information AVP as defined in TS 29.272 [108] clause 7.3.115, in base-64 encoding, in case the location could be determined.	C
FailureCause	If the location acquisition procedure fails, this parameter shall be included. The value of this parameter shall be set to the Result-Code as returned from the MME.	C

Responses are delivered within a DELIVER Request (see ETSI TS 103 120 [6] clause 6.4.10) containing a DeliveryObject (see ETSI TS 103 120 [6] clause 10).

The DeliveryObject Reference field (see ETSI TS 103 120 [6] clause 10.2.1) shall be set to the Reference of the LDTaskObject used in the request to provide a correlation between request and response. The DeliveryID, SequenceNumber, and LastSequence fields shall be set according to ETSI TS 103 120 [6] clause 10.2.1.

The content manifest (see ETSI TS 103 120 [6] clause 10.2.2) shall be set to indicate the present document and the type of response using the following Specification Dictionary extension.

Table 5.11.2.3-4: Specification Dictionary

Dictionary Owner	Dictionary Name
3GPP	ManifestSpecification
Defined DictionaryEntries	
Value	Meaning
HILAResponse	The delivery contains a LocationResponseDetails (see Annex I)

5.12 Protocols for LI_XLA

5.12.1 General

Functions having a LI_XLA interface shall support the use of ETSI TS 103 221-1 [7] to realise the interface.

In the event of a conflict between ETSI TS 103 221-1 [7] and the present document, the terms of the present document shall apply.

5.12.2 Usage for realising LI_XLA

LI_XLA requests are realised using ETSI TS 103 221-1 [7] to transport the LocationAcquisitionRequest and LocationAcquisitionResponse messages (which are derived from X1RequestMessage and X1ResponseMessage respectively, as defined in ETSI TS 103 221-1 [7]), see Annex I. The LocationAcquisitionRequest message is populated as follows:

Table 5.12.2.1-1: LocationAcquisitionRequest representation for an XLA request

Field	Description	M/C/O
RequestValues	Set to the target identifier specified in the LI_HILA request (see clause 5.11.2).	M
ReqCurrentLoc	Indicates whether the current location of the UE is requested. If set to true, the LARF shall: - in case of the EPC, invoke the Insert Subscriber Data Procedure with the IDR-Flags with the "EPS Location Information Request" and the "Current Location Request" bit set (TS 29.272 [108] clause 5.2.2.1.2) at the MME, as described in clause 7.3.5.4.2. - in case of the 5GC, invoke a ProvideLocationInfo service operation (see TS 29.518 [16] clause 5.5.2.4) as described in clause 7.3.5.4.3. If set to false, the LARF shall use the location information in the UE context at the MME/AMF. This parameter shall be set to true if the request received over LI_HILA had the ReqCurrentLoc flag set and shall be set to false if the request received over LI_HILA did not have the ReqCurrentLoc flag.	M
HILADelivery	Based on the information received over the LI_HI1 interface (see 5.4.3). If set, the LARF shall return the location information to the LAF (see NOTE).	C
HI2Delivery	Based on the information received from the LI_HI1 interface (see 5.4.3). If present, the format shall be as defined in table 5.12.2.1-2 (See NOTE).	C
NOTE: At least one delivery method is required		

Table 5.12.2.1-2: HI2Delivery structure

Field	Description	M/C/O
XID	The value shall be used by the LARF to fill the XID field of the X2 PDUs. The value shall be the same as the one provisioned on the MDF2 (see clause 7.3.5.6.2).	C
ListOfDestinations	Delivery endpoints for LI_X2_LA for the LARF in the MME/AMF. This field shall be present unless the delivery details are known via other means.	C

Successful LI_XLA responses are returned using the LocationAcquisitionResponse message. Error conditions are reported using the normal error reporting mechanisms described in ETSI TS 103 221-1 [7].

LI_XLA query responses are represented in XML following the LocationAcquisitionResponse schema (see Annex I). If delivery via the LI_HILA was specified, the fields of the LocationAcquisitionResponse record shall be populated as described in clause 5.11.2.3. If delivery via the LI_HI2 was specified in the original request, the LARF shall leave the LocationAcquisitionResponse record field unpopulated.

6 Network Layer Based Interception

6.1 Introduction

Clause 6 describes any remaining fields, behaviours or details necessary to implement the required LI interfaces for specific 3GPP-defined network deployments which are not described in clauses 4 and 5. For 3GPP-defined networks that utilize proprietary deployments, see clause N.2.

Additional or alternative triggers shall be used when required to ensure that all instances of the events listed in TS 33.127 [5] are reported.

6.2 5G

6.2.1 General

This clause describes the LI interfaces specific to LI for 5G networks.

6.2.2 LI at AMF

6.2.2.1 Provisioning over LI_X1

The IRI-POI present in the AMF is provisioned over LI_X1 by the LIPF using the X1 protocol as described in clause 5.2.2.

The POI in the AMF shall support the following target identifier formats in the ETSI TS 103 221-1 [7] messages (or equivalent if ETSI TS 103 221-1 [7] is not used):

- SUPIIMSI.
- SUPINAI.
- PEIIMEI.
- PEIIMEISV.
- GPSIMSISDN.
- GPSINAI.

Table 6.2.2.1-1 shows the minimum details of the LI_X1 ActivateTask message used for provisioning the IRI-POI in the AMF.

Table 6.2.2.1-1: ActivateTask message for the IRI-POI in the AMF

ETSI TS 103 221-1 [7] field name	Description	M/C/O
XID	XID assigned by LIPF.	M
TargetIdentifiers	One of the target identifiers listed in the paragraph above.	M
DeliveryType	Set to "X2Only".	M
ListOfDIDs	Delivery endpoints for LI_X2 for the IRI-POI in the AMF. These delivery endpoints are configured using the CreateDestination message as described in ETSI TS 103 221-1 [7] clause 6.3.1 prior to the task activation.	M
TaskDetailsExtensions/ IdentifierAssociationExtensions	This field shall be included if the IRI POI is required to generate AMFIdentifierAssociation records (see clause 6.2.2.2.1). If the field is absent, AMFIdentifierAssociation records shall not be generated.	C
ListOfServiceTypes	Shall be included when the explicit identification of specific CSP service types to be intercepted by the task as described in clause 5.2.4 is required. This parameter is defined in ETSI TS 103 221-1 [7] clause 6.2.1.2 table 4.	C

Table 6.2.2.1-2: IdentifierAssociationExtensions Parameters

Field Name	Description	M/C/O
EventsGenerated	One of the following values: - IdentifierAssociation - All See clause 6.2.2.2.1 for the interpretation of this field.	M

6.2.2.2 Generation of xIRI over LI_X2

6.2.2.2.1 General

The IRI-POI present in the AMF shall send the xIRIs over LI_X2 for each of the events listed in TS 33.127 [5] clause 6.2.2.4, the details of which are described in the following clauses.

If the AMF receives one or more cell IDs in an N2 message (as specified in TS 38.413 [23]), the IRI-POI in the AMF shall report all of them.

The IRI-POI in the AMF shall only generate xIRI containing AMFIdentifierAssociation records when the IdentifierAssociationExtensions parameter has been received over LI_X1 (see clause 6.2.2.1). The IRI-POI in the AMF shall generate records according to the value of the EventsGenerated sub-parameter (see table 6.2.2.1-2) as follows:

- IdentifierAssociation: AMFIdentifierAssociation and AMFLocationUpdate records shall be generated. No other record types shall be generated for that target.
- All: All AMF record types shall be generated.

6.2.2.2.1A Simple data types for AMF

Table 6.2.2.2.1A-1: Simple types for AMF

Type name	Type	Description
MUSIMUERequestType	OCTET STRING (SIZE (1))	The purpose of the MUSIMUERequestType type is to indicate a MUSIM UE has requested the network to perform specific requests due to activity on another USIM. Shall contain the UE request type information octet sent in the REGISTRATON REQUEST message, omitting the first two octets. Encoded per TS 24.301 [51] clause 9.9.3.65.
RATFrequencySelectionPriority	INTEGER (1..256)	This field is used to define local configuration for RRM strategies such as camp priorities in idle mode and control of inter-RAT/inter-frequency handover in Active mode. See TS 23.501 [13] clause 5.3.4.3.1. Encoded per TS 38.413 [23] clause 6.3.1.61.
FiveGMMCapability	OCTET STRING (SIZE (1..13))	The purpose of the FiveGMMCapability type is to provide information concerning aspects of the UE related to the 5GCN or interworking with the EPS. Encoded per TS 24.501 [13] clause 9.11.3.1 omitting the first two octets.
FiveGSUpdateType	OCTET STRING (SIZE (1))	The purpose of the FiveGSUpdateType is to allow the UE to provide additional information to the network when performing a registration procedure. Defined in TS 24.501 [13] clause 9.11.3.9A, omitting the first two octets.
UnavailabilityPeriodDuration	OCTET STRING (SIZE (1))	The purpose of UnavailabilityPeriodDuration is to indicate the period duration the UE is unavailable, see TS 24.501 [13] clause 8.2.6.1. Encoded as GPRS Timer 3, see TS 24.008 [95] clause 10.5.7.4a, omitting the first two octets.

6.2.2.2.2 Registration

The IRI-POI in the AMF shall generate an xIRI containing an AMFRegistration record when the IRI-POI present in the AMF detects that a UE matching one of the target identifiers provided via LI_X1 has successfully registered to the 5GS via 3GPP NG-RAN or non-3GPP access. Accordingly, the IRI-POI in the AMF generates the xIRI when the following event is detected:

- AMF sends a N1: REGISTRATION ACCEPT message to the target UE and the UE 5G Mobility Management (5GMM) state for the access type (3GPP NG-RAN or non-3GPP access) within the AMF is changed to 5GMM-REGISTERED.

Table 6.2.2.2.2-1: Payload for AMFRegistration record

Field name	Type	Cardinality	Description	M/C/O
registrationType	AMFRegistrationType	1	Specifies the type of registration, see TS 24.501 [13] clause 9.11.3.7. This is derived from the information received from the UE in the REGISTRATION REQUEST message.	M
registrationResult	AMFRegistrationResult	1	Specifies the result of registration, see TS 24.501 [13] clause 9.11.3.6.	M
slice	Slice	0..1	Provide, if available, one or more of the following: <ul style="list-style-type: none"> - allowed NSSAI (see TS 24.501 [13] clause 9.11.3.37). - configured NSSAI (see TS 24.501 [13] clause 9.11.3.37). - rejected NSSAI (see TS 24.501 [13] clause 9.11.3.46). This is derived from the information sent to the UE in the REGISTRATION ACCEPT message.	C
sUPI	SUPI	1	SUPI associated with the registration (see clause 6.2.2.4).	M
sUCI	SUCI	0..1	SUCI used in the registration, if available.	C
pEI	PEI	0..1	PEI provided by the UE during the registration, if available.	C
gPSI	GPSI	0..1	GPSI obtained in the registration, if available as part of the subscription profile.	C

Field name	Type	Cardinality	Description	M/C/O
gUTI	FiveGGUTI	1	5G-GUTI provided as outcome of initial registration or used in other cases, see TS 24.501 [13] clause 5.5.1.2.2.	M
location	Location	0..1	Location information determined by the network during the registration, if available. Shall be encoded using the <i>Location.locationInfo.userLocation</i> parameter and, when Dual Connectivity is activated, using the <i>Location.locationInfo.additionalCellIDs</i> parameter. If available, other parameters reportable via <i>Location</i> shall be included.	C
non3GPPAccessEndpoint	UEEndpointAddress	0..1	UE's local IP address used to reach the N3IWF, TNGF or TWIF, if available. IP addresses are given as 4 octets (for IPv4) or 16 octets (for IPv6) with the most significant octet first (network byte order).	C
fiveGSTAIList	TAIList	0..1	List of tracking areas associated with the registration area within which the UE is current registered, see TS 24.501 [13] clause 9.11.3.9 (see NOTE)	C
sMSOverNASIndicator	SMSOverNASIndicator	0..1	Indicates whether SMS over NAS is supported. Provide, if included in registrationResult, see TS 24.501 [13] clause 9.11.3.6.	C
oldGUTI	EPS5GGUTI	0..1	GUTI or 5G-GUTI, if provided in the REGISTRATION REQUEST message, see TS 24.501 [13] clause 5.5.1.2.2.	C
eMM5GRegStatus	EMM5GMMStatus	0..1	UE Status, if provided in the REGISTRATION REQUEST message, see TS 24.501 [13] clause 9.11.3.56.	C
nonIMEISVPEI	NonIMEISVPEI	0..1	MACAddress or EUI-64 used as UE equipment identity if IMEI or IMEISV based PEI is not available. Provide if known, see TS 24.501 [13] clause 8.2.26.4.	C
macRestIndicator	MACRestrictionIndicator	0..1	Indicates whether the non-IMEISV PEI MACAddress can be used as an equipment identifier. Required if non-IMEISVPEI is used, see TS 24.501 [13] clause 9.11.3.4.	C
pagingRestrictionIndicator	PagingRestrictionIndicator	0..1	Indicates if paging is restricted or the type of paging allowed. Shall be included if sent in the REGISTRATION REQUEST message. Encoded per TS 24.501 [13] clause 9.11.3.77, omitting the first two octets.	C
rATType	RATType	0..1	RAT Type shall be present if known by the AMF. RAT Type is determined by the AMF during registration. See TS 23.501 [2] clause 5.3.2.3	C
rRCEstablishmentCause	RRCEstablishmentCause	0..1	Indicates the reason for UE RRC Connection Establishment. This parameter shall be populated with information provided by the serving RAN during NAS establishment in the Initial UE Message. See TS 38.413 [23] clause 9.3.1.111.	C
nGInformation	NGInformation	0..1	Provides application layer related information for the serving Global RAN Node provided by the NG-RAN node to the serving AMF during NG setup. This parameter shall be populated using information from the NG SETUP REQUEST and NG SETUP RESPONSE. See TS 38.413 [23] clauses 9.2.6.1 and 9.2.6.2. Shall only be sent when location information reporting is authorized.	C
nASTransportInitialInformation	NASTransportInitialInformation	0..1	Provides information related to the NAS Transport setup for the target UE over the NG interface. Shall be included when received by the AMF per TS 38.413 [23]. This parameter is only conditional for backward compatibility. See TS 38.413 [23] clause 9.2.5.1.	C
equivalentPLMNList	PLMNList	0..1	Provides a list of equivalent PLMNs in the REGISTRATION ACCEPT message. See clause TS 24.501 [13] clause 8.2.7.3.	C
fiveGMMCapability	FiveGMMCapability	0..1	Shall contain the target 5GMM capability information octets sent in the REGISTRATION REQUEST message, omitting the first two octets. Defined in TS 24.501 [13] clause 9.11.3.1.	C
initialRANUEContextSetup	InitialRANUEContextSetup	0..1	Provides information sent in the INITIAL CONTEXT SETUP message from the AMF to the RAN for a target. See TS 38.413 [23] clause 9.2.2.1.	C
mUSIMUERRequestType	MUSIMUERRequestType	0..1	Indicates a MUSIM UE has requested release of NAS signalling or has rejected paging. Shall be included if sent in the REGISTRATION REQUEST message. Encoded per UE Request Type omitting the first two octets. See TS 24.301 [51] clause 9.9.3.65.	C

Field name	Type	Cardinality	Description	M/C/O
sORTransparentContainer	SORTransparentContainer	0..1	Provides the list of preferred PLMN/access technology combinations. Included if sent in the NAS N1 message REGISTRATION ACCEPT. Given as a SoR Transparent container encoded per TS 24.501 [13] clause 9.11.3.51 omitting the first three octets.	C
unavailabilityPeriodDuration	UnavailabilityPeriodDuration	0..1	Period duration the UE is unavailable. Include if sent in the REGISTRATION REQUEST message. See TS 24.501 [13] clause 8.2.6.1. Encoded as GPRS Timer 3, see TS 24.008 [95] clause 10.5.7.4a, omitting the first two octets.	C
fiveGSUpdateType	FiveGSUpdateType	0..1	Shall contain the target 5GS Update Type information octets if sent in the REGISTRATION REQUEST message. Defined in TS 24.501 [13] clause 9.11.3.9A, omitting the first two octets.	C
uEAreaIndication	UEAreaIndication	0..1	Contains a country, area in a country or international area indication where UE is located, if available. If UE is outside of the area of any known country, i.e. international area, it contains the international area indication without a country. UEAreaIndication is derived from the data present in the UEAreaIndication information element defined in TS 29.572 [24] clause 6.1.6.2.42.	C
establishmentCauseNon3GPPAccess	EstablishmentCauseNon3GPPAccess	0..1	Provides the establishment cause for Non-3GPP access (N3AEC) sent to the AMF by the N3AF on behalf of the target. Encoded per TS 24.502 [128] clause 9.2.2 omitting the first octet. Shall be included for N3AEC.	C
NOTE: List shall be included each time there is a change to the registration area.				

Table 6.2.2.2-2: Payload for UEAreaIndication

Field name	Type	Cardinality	Description	M/C/O
Country	UTF8String (SIZE (2))	0..1	Indicates the country or the area of country where the UE is located. Contains the two-letter ISO 3166 country code in capital ASCII letters, e.g., DE or US. Shall be encoded as described in TS 29.572 [24] table 6.1.6.2.42-1.	C
internationalAreaIndication	BOOLEAN	0..1	Indicates international area. Set to true if UE is located in international area and set to false (default) if UE is not located in international area.	C
NOTE: Either country or internationalAreaIndication shall be present.				

6.2.2.2.3 Deregistration

The IRI-POI in the AMF shall generate an xIRI containing an AMFDeregistration record when the IRI-POI present in the AMF detects that a UE matching one of the target identifiers provided via LI_X1 has deregistered from the 5GS over at least one access type. Accordingly, the IRI-POI in AMF generates the xIRI when any of the following events is detected:

- For network initiated de-registration, when the AMF receives the N1: DEREGISTRATION ACCEPT message from the target UE or when implicit deregistration timer expires; and in both cases the UE 5GMN state for the access type (3GPP NG-RAN or non-3GPP access) within the AMF is changed to 5GMM-DEREGISTERED.
- For UE initiated de-registration, when the AMF sends the N1: DEREGISTRATION ACCEPT message to the target UE or when the AMF receives the N1: DEREGISTRATION REQUEST message from the target UE with deregistration type value of “switch off”; and in both cases the UE 5GMN state for the access type (3GPP NG-RAN or non-3GPP access) within the AMF is changed to 5GMM-DEREGISTERED.
- For network initiated AMF UE relocation, the AMFDeregistration xIRI shall not be sent unless the 5GMM COMMON PROCEDURE INITIATED (see TS 24.501 [13] clause 5.1.3.2.3.3) results in deregistration.

Table 6.2.2.3-1: Payload for AMFDeregistration record

Field name	Type	Cardinality	Description	M/C/O
deregistrationDirection	AMFDirection	1	Indicates whether the deregistration was initiated by the network or by the UE.	M
accessType	AccessType	1	Indicates the access for which the deregistration is handled, see TS 24.501 [13] clause 9.11.3.20.	M
sUPI	SUPI	0..1	SUPI associated with the deregistration (see clause 6.2.2.4), if available (see NOTE).	C
sUCI	SUCI	0..1	SUCI used in the deregistration, if available (see NOTE).	C
pEI	PEI	0..1	PEI used in the deregistration, if available (see NOTE).	C
gPSI	GPSI	0..1	GPSI associated to the deregistration, if available as part of the subscription profile (see NOTE).	C
gUTI	FiveGGUTI	0..1	5G-GUTI used in the deregistration, if available, see TS 24.501 [13] clause 5.5.2.2.1.	C
cause	FiveGMMCause	0..1	Indicates the 5GMM cause value associated with the deregistration procedure, see TS 24.501 [13] clause 9.11.3.2. The integer value is mapped from the second octet shown in TS 24.501 [13] clause 9.11.3.2.	C
location	Location	0..1	Location information determined by the network during the deregistration, if available. Shall be encoded using the <i>Location.locationInfo.userLocation</i> parameter. If available, other parameters reportable via <i>Location</i> shall be included.	C
switchOffIndicator	SwitchOffIndicator	0..1	Indicates whether the deregistration type is normal or switch off, if available, see TS 24.501 [13] clause 9.1.3.20.1.	C
reRegRequiredIndicator	ReRegRequiredIndicator	0..1	Indicates whether UE re-registration is required in the DEREGISTRATION REQUEST message, if available, see TS 24.501 [13] clause 9.1.3.20.1.	C
unavailabilityPeriodDuration	UnavailabilityPeriodDuration	0..1	Period duration the UE is unavailable. Include if sent in the DEREGISTRATION REQUEST message. See TS 24.501 [13] clause 8.2.12.1. Encoded as GPRS Timer 3, see TS 24.008 [95] clause 10.5.7.4a, omitting the first two octets.	C
NOTE: At least one among SUPI, SUCI, PEI and GPSI shall be provided.				

6.2.2.2.4 Location update

The IRI-POI in the AMF shall generate an xIRI containing an AMFLocationUpdate record each time the IRI-POI present in an AMF detects that the target's UE location is updated due to target UE mobility or as a part of an AMF service procedure and the reporting of location information is not restricted by service scoping. The generation of such separate xIRI is not required if the updated UE location information is obtained as a part of a procedure producing some other xIRIs (e.g. mobility registration). In that case the location information is included into the respective xIRI.

The UE mobility events resulting in generation of an AMFLocationUpdate xIRI include the *N2 Path Switch Request (Xn based inter NG-RAN handover)* procedure described in TS 23.502 [4] clause 4.9.1.2) and the *N2 Handover Notify (Inter NG-RAN node N2 based handover)* procedure described in TS 23.502 [4] clause 4.9.1.3).

The AMFLocationUpdate xIRI is also generated when the AMF receives an NG-RAN NGAP *PDU Session Resource Modify Indication* message as a result of Dual Connectivity activation/release for the target UE, as described in TS 37.340 [37] clause 10.

Optionally, based on operator policy, other NG-RAN NGAP messages that do not generate separate xIRI but carry location information (e.g. RRC INACTIVE TRANSITION REPORT) may trigger the generation of an xIRI AMFLocationUpdate record.

Additionally, based on regulatory requirements and operator policy, the location information obtained by AMF from NG-RAN or LMF in the course of some service operation (e.g. emergency services, LCS) may generate xIRI

AMFLocationUpdate record. The AMF services providing the location information in these cases include the AMF Location Service (ProvideLocInfo, ProvidePosInfo, NotifiedPosInfo and EventNotify service operations) and the AMF Exposure Service (AmfEventReport with LOCATION_REPORT) (see TS 29.518 [22]). Additionally, the AMF Communication Service (Namf_Communication_N1MessageNotify service operation) may be monitored to capture the location information in the scenarios described in TS 23.273 [42] clause 6.3.1. Also, in the case of Mobile Originated LCS service invoked by the target, the location information may be derived from a N1mf_Location_DetermineLocation Response to AMF (see TS 23.273 [42] clause 6.2).

The AMFLocationUpdate record is also used by LARF to deliver Location Acquisition responses to MDF2, as described in clause 7.3.5.6. The IRI-POI in the AMF shall not generate the AMFLocationUpdate xIRI when the location is acquired as the result of a LARF request, as described in TS 33.127 [5] clause 7.3.5.2.

Table 6.2.2.4-1: Payload for AMFLocationUpdate record

Field name	Type	Cardinality	Description	M/C/O
sUPI	SUPI	1	SUPI associated with the location update (see clause 6.2.2.4).	M
sUCI	SUCI	0..1	SUCI associated with the location update, if available, see TS 24.501 [13].	C
pEI	PEI	0..1	PEI associated with the location update, if available.	C
gPSI	GPSI	0..1	GPSI associated with the location update, if available as part of the subscription profile.	C
gUTI	FiveGGUTI	0..1	5G-GUTI associated with the location update, if available, see TS 24.501 [13].	C
location	Location	1	Updated location information determined by the network. Depending on the service or message type from which the location information is extracted, it may be encoded in several forms: <ol style="list-style-type: none"> 1) as a <i>Location.locationInfo.userLocation</i> parameter in the case the information is obtained from an NGAP message, except the LOCATION REPORT message (see TS 38.413 [23]); 2) as a <i>Location.locationInfo</i> in the case the information is obtained from a ProvideLocInfo (TS 29.518 [22] clause 6.4.6.2.6); 3) as a <i>Location.locationPresenceReport</i> parameter in the case the information is obtained from an AmfEventReport (TS 29.518 [22] clause 6.2.6.2.5) with event type Location-Report or Presence-In-AOI-Report; 4) as a <i>Location.positioningInfo.positionInfo</i> parameter in the case the information is obtained from a ProvidePosInfo (TS 29.518 [22] clause 6.4.6.2.3) or a NotifiedPosInfo (TS 29.518 [22] clause 6.4.6.2.4). If available, other parameters reportable via <i>Location</i> shall be included.	M
deprecatedSMSOverNASIndicator	SMSOverNASIndicator	0..1	No longer used in present version of this specification.	C
deprecatedOldGUTI	EPS5GGUTI	0..1	No longer used in present version of this specification.	C
uEAreaIndication	UEAreaIndication	0..1	Contains a country, area in a country or international area indication where UE is located, if available. If UE is outside of the area of any known country, i.e. international area, it contains the international area indication without a country. See table 6.2.2.2.2-2 for details on this data type.	C

6.2.2.2.5 Start of interception with registered UE

The IRI-POI in the AMF shall generate an xIRI containing an AMFStartOfInterceptionWithRegisteredUE record when the IRI-POI present in the AMF detects that interception is activated on a UE that has already been registered in the

5GS (see clause 6.2.2.4 on identity privacy). A UE is considered already registered to the 5GS when the 5GMM state for the access type (3GPP NG-RAN or non-3GPP access) for that UE is 5GMM-REGISTERED. Therefore, the IRI-POI present in the AMF shall generate the xIRI AMFStartOfInterceptionWithRegisteredUE record when it detects that a new interception for a UE is activated (i.e. provisioned by the LIPF) and the 5G mobility management state for the access type (3GPP NG-RAN or non-3GPP access) within the AMF for that UE is 5GMM-REGISTERED. If the UE is registered over both 3GPP NG-RAN and non-3GPP access, the IRI-POI present in the AMF shall generate an xIRI containing an AMFStartOfInterceptionWithRegisteredUE record for each access type.

Table 6.2.2.5-1: Payload for AMFStartOfInterceptionWithRegisteredUE record

Field name	Type	Cardinality	Description	M/C /O
registrationResult	AMFRegistrationResult	1	Specifies the result of registration, see TS 24.501 [13] clause 9.11.3.6.	M
registrationType	AMFRegistrationType	0..1	Specifies the type of registration, see TS 24.501 [13] clause 9.11.3.7, if available.	C
slice	Slice	0..1	Provide, if available, one or more of the following: <ul style="list-style-type: none"> - allowed NSSAI (see TS 24.501 [13] clause 9.11.3.37). - configured NSSAI (see TS 24.501 [13] clause 9.11.3.37). 	C
sUPI	SUPI	1	SUPI associated with the target UE.	M
sUCI	SUCI	0..1	SUCI used in the registration, if available.	C
pEI	PEI	0..1	PEI associated with the target UE, if available.	C
gPSI	GPSI	0..1	GPSI associated with the target UE, if available.	C
gUTI	FiveGGUTI	1	Latest 5G-GUTI assigned to the target UE by the AMF.	M
location	Location	0..1	Location information associated with the access type for the target UE, if available. Shall be encoded using the <i>Location.locationInfo.userLocation</i> parameter and, when Dual Connectivity is activated, using the <i>Location.locationInfo.additionalCellIDs</i> parameter (see attachment <i>TS33128Payloads.asn</i>). If available, other parameters reportable via <i>Location</i> shall be included.	C
non3GPPAccessEndpoint	UEEndpointAddress	0..1	UE's local IP address used to reach the N3IWF, TNGF or TWIF, if available. IP addresses are given as 4 octets (for IPv4) or 16 octets (for IPv6) with the most significant octet first (network byte order).	C
timeOfRegistration	Timestamp	0..1	Time at which the last registration occurred, if available. This is the time stamp when the REGISTRATION ACCEPT message was sent to the UE or (when applicable) when the REGISTRATION COMPLETE was received from the UE. Shall be given qualified with time zone information (i.e. as UTC or offset from UTC, not as local time).	C
fiveGSTAIList	TAIList	0..1	List of tracking areas associated with the target UE for the access type.	C
sMSOverNASIndicator	SMSOverNASIndicator	0..1	Indicates whether SMS over NAS is supported. Provide, if included in the UE Context.	C
oldGUTI	EPS5GGUTI	0..1	Latest GUTI or 5G-GUTI received from the target UE if different than the latest GUTI assigned by the AMF and the target UE has not acknowledged the latest GUTI assignment.	C
eMM5GRegStatus	EMM5GMMStatus	0..1	UE Status, if this parameter can be derived from information available in the UE Context at the AMF.	C

Field name	Type	Cardinality	Description	M/C/O
sORTtransparentContainer	SORTtransparentContainer	0..1	Provides the list of preferred PLMN/access technology combinations. Included if sent in the NAS N1 message REGISTRATION ACCEPT. Given as a SoR Transparent container encoded per TS 24.501 [13] clause 9.11.3.51 omitting the first three octets.	C
uEPolicy	UEPolicy	0..1	Content of the N1 NAS message MANAGE UE POLICY COMMAND, as defined in TS 24.501 [13] table D.5.1.1.1.	C
unavailabilityPeriodDuration	UnavailabilityPeriodDuration	0..1	Period duration the UE is unavailable. Include if sent in the REGISTRATION REQUEST. See TS 24.501 [13] clause 8.2.6.1. Encoded as GPRS Timer 3, see TS 24.008 [95] clause 10.5.7.4a, omitting the first two octets.	C
fiveGSUpdateType	FiveGSUpdateType	0..1	Shall contain the target 5GS Update Type information octets if sent in the REGISTRATION REQUEST message. Defined in TS 24.501 [13] clause 9.11.3.9A, omitting the first two octets.	C
uEAreaIndication	UEAreaIndication	0..1	Contains a country, area in a country or international area indication where UE is located, if available. If UE is outside of the area of any known country, i.e. international area, it contains the international area indication without a country. See table 6.2.2.2.2-2 for details on this data type.	C
NOTE: The values of the parameters in the table above are derived from the UE Context at the AMF, see TS 23.502 clause 5.2.2.2.2.				

The IRI-POI present in the AMF generating an xIRI containing an AMFStartOfInterceptionWithRegisteredUE record shall set the Payload Direction field in the PDU header to *not applicable* (Direction Value 5, see ETSI TS 103 221-2 [8] clause 5.2.6).

6.2.2.2.6 AMF unsuccessful procedure

The IRI-POI in the AMF shall generate an xIRI containing an AMFUnsuccessfulProcedure record when the IRI-POI present in the AMF detects an unsuccessful procedure for a UE matching one of the target identifiers provided via LI_X1.

Accordingly, the IRI-POI in the AMF generates the xIRI when any of the following events is detected:

- AMF sends a N1: REGISTRATION REJECT message to the target UE and the UE 5G Mobility Management (5GMM) state for the access type (3GPP NG-RAN or non-3GPP access) within the AMF is changed to 5GMM-DEREGISTERED.
- AMF aborts a registration procedure before the UE 5G Mobility Management (5GMM) state for the access type (3GPP NG-RAN or non-3GPP access) within the AMF is changed to 5GMM-REGISTERED.
- AMF sends a SERVICE REJECT message to the target UE including a PDU session establishment reject message type.
- AMF aborts a UE-initiated NAS transport procedure with payload container type IE set to "SMS".

Unsuccessful registration shall be reported only if the target UE has been successfully authenticated.

Table 6.2.2.6-1: Payload for AMFUnsuccessfulProcedure record

Field name	Type	Cardinality	Description	M/C /O
failedprocedureType	AMFFailedProcedureType	1	Specifies the procedure which failed at the AMF.	M
failureCause	AMFFailureCause	1	Provides the value of the 5GSM or 5GMM cause, see TS 24.501 [13] clauses 9.11.3.2 and 9.11.4.2. The integer value is mapped from the second octet shown in TS 24.501 [13] clauses 9.11.3.2 and 9.11.4.2.	M
requestedSlice	NSSAI	0..1	Slice requested for the procedure, if available, given as a NSSAI (a list of S-NSSAI values as described in TS 24.501 [13] clause 9.11.3.37).	C
sUPI	SUPI	0..1	SUPI associated with the procedure, if available (see NOTE).	C
sUCI	SUCI	0..1	SUCI used in the procedure, if applicable and if available (see NOTE).	C
pEI	PEI	0..1	PEI used in the procedure, if available (see NOTE).	C
gPSI	GPSI	0..1	GPSI used in the procedure, if available (see NOTE).	C
gUTI	FiveGGUTI	0..1	5G-GUTI used in the procedure, if available, see TS 24.501 [13] clause 9.11.3.4 (see NOTE).	C
location	Location	0..1	Location information determined during the procedure, if available. Shall be encoded using the <i>Location.locationInfo.userLocation</i> parameter. If available, other parameters reportable via <i>Location</i> shall be included.	C
NOTE: At least one identity shall be provided, the others shall be provided if available.				

6.2.2.2.7 AMF identifier association

The IRI-POI present in the AMF shall generate an xIRI containing an AMFIdentifierAssociation record when the IRI-POI present in the AMF detects a new identifier association for a UE matching one of the target identifiers provided via LI_X1. Generation of this record is subject to this record type being enabled for a specific target (see clause 6.2.2.2.1).

Table 6.2.2.2.7-1: Payload for AMFIdentifierAssociation record

Field name	Type	Cardinality	Description	M/C /O
sUPI	SUPI	1	SUPI associated with the procedure (see NOTE 1).	M
sUCI	SUCI	0..1	SUCI used in the procedure, if applicable and if available.	C
pEI	PEI	0..1	PEI used in the procedure, if available (see NOTE 1).	C
gPSI	GPSI	0..1	GPSI used in the procedure, if available (see NOTE 1).	C
gUTI	FiveGGUTI	1	5G-GUTI used in the procedure, see TS 24.501 [13] clause 9.11.3.4.	M
location	Location	1	Location information available when identifier association occurs. Shall be encoded using the <i>Location.locationInfo.userLocation</i> parameter (see attachment. If available, other parameters reportable via <i>Location</i> shall be included.	M
fiveGSTAIList	TAIList	0..1	List of tracking areas associated with the registration area within which the UE is current registered, see TS 24.501 [13] clause 9.11.3.9. (see NOTE 2)	C
NOTE 1: SUPI shall always be provided, in addition to the warrant target identifier if different to SUPI. Other identifiers shall be provided if available.				
NOTE 2: List shall be included each time there is a change to the registration area.				

The IRI-POI present in the AMF generating an xIRI containing an AMFIdentifierAssociation record shall set the Payload Direction field in the PDU header to *not applicable* (Direction Value 5, see ETSI TS 103 221-2 [8] clause 5.2.6).

6.2.2.2.8 Positioning info transfer

The IRI-POI present in the AMF shall generate an xIRI containing an AMFPositioningInfoTransfer when the IRI-POI present in the AMF detects one of the following events :

- an NRPPa (see TS 38.455 [86]) message related to a target UE has been exchanged between the LMF and NG-RAN via the AMF.
- a LPP (see TS 37.355 [85]) message related to a target UE has been exchanged between the LMF and the target UE via the AMF.

Accordingly, the IRI-POI in AMF generates the xIRI when any of the following events is detected:

- AMF receives an Namf_Communication_N1N2MessageTransfer (see TS 29.518 [22]) from LMF to request the transfer of a NRPPa request to the serving NG-RAN node for a target UE as part of a UE associated NRPPa positioning activity. The NRPPa request may be E-CID MEASUREMENT INITIATION REQUEST or OTDOA INFORMATION REQUEST.
- AMF sends a Namf_Communication_N2InfoNotify [22] to the LMF to forward the NRPPa response or report received from the NG-RAN for a target UE. The NRPPa response or report may be E-CID MEASUREMENT INITIATION RESPONSE, E-CID MEASUREMENT REPORT or OTDOA INFORMATION RESPONSE.
- AMF receives an Namf_Communication_N1N2MessageTransfer ([22]) from LMF to request the transfer of a LPP message to a target UE as part of a LPP positioning activity.
- AMF sends an Namf_Communication_N1MessageNotify ([22]) to LMF to forward a LPP message received from the target UE.

Table 6.2.2.2.8-1: Payload for AMFPositioningInfoTransfer record

Field name	Type	Cardinality	Description	M/C /O
sUPI	SUPI	1	SUPI associated with the procedure (see NOTE 1 in table 6.2.2.2.7-1).	M
sUCI	SUCI	0..1	SUCI used in the procedure, if applicable and if available.	C
pEI	PEI	0..1	PEI used in the procedure, if available (see NOTE 1 in table 6.2.2.2.7-1).	C
gPSI	GPSI	0..1	GPSI used in the procedure, if available (see NOTE 1 in table 6.2.2.2.7-1).	C
gUTI	FiveGGUTI	0..1	5G-GUTI used in the procedure, see TS 24.501 [13] clause 9.11.3.4.	C
nRPPaMessage	OCTET STRING	0..1	Any UE associated NRPPa message exchanged between the LMF and NG-RAN via AMF.	C
lPPMessage	OCTET STRING	0..1	Any LPP message exchanged between the LMF and the target UE via AMF.	C
lcsCorrelationId	UTF8String (SIZE(1..255))	1	LCS correlation ID (see TS 29.572 [24] clause 6.1.6.3.2) related to a location session, found in the Namf_CommunicationN1N2MessageTransfer and corresponding Namf_Communication_N2InfoNotify or Namf_CommunicationN1MessageNotify. All the AMFPositioningInfoTransfer records related to the same location session have the same lcsCorrelationId.	M

6.2.2.2.9 Handovers

6.2.2.2.9.1 General

The present clause provides the LI requirements for NG interface-based handovers which occur for a target UE. Such handovers may be intra 5GS (inter-gNB), 5GS to EPS (inter-system), EPS to 5GS (inter-system), or 5GS to UTRA (inter-system).

The following xIRI records are used to report handover related events between the AMF and RAN nodes for the target UE when the delivery of location information is not restricted by service scoping:

- AMFRANHandoverCommand.

- AMFRANHandoverRequest.

The above xIRIs are used to report handover events and information that are not carried in the AMFLocationUpdate (clause 6.2.2.2.4) record and shall include the information transferred between the AMF and RAN nodes, as a part of handover preparation, resource allocation, and handover notification.

6.2.2.2.9.2 Handover command

The IRI-POI in the AMF shall generate an xIRI containing an AMFRANHandoverCommand record when the IRI-POI present in the AMF detects that the AMF has sent a HANOVER COMMAND message to the source RAN node (old RAN node) in response to a HANOVER REQUIRED message for the target UE and location information is not restricted by service scoping.

Table 6.2.2.9.2-1: Payload for AMFRANHandoverCommand record

Field name	Type	Cardinality	Description	M/C /O
userIdentifiers	UserIdentifiers	1	List of identifiers, including the target identifier, associated with the target UE registration stored in the AMF context. See TS 29.518 [22] clause 6.1.6.2.25 and TS 23.502 [4] clause 4.11.2.2.	M
aMFUENGAPID	AMFUENGAPID	1	Identity that the AMF uses to uniquely identify the target UE over the NG Interface. See TS 38.413 [23] clause 9.3.3.1. This is correlated to the SUPI known in the UE AMF context.	M
rANUENGAPID	RANUENGAPID	1	Identity that the AMF receives from the NG-RAN node uniquely identifying the target UE with the NG-RAN Node. See TS 38.413 [23] clause 9.3.3.2.	M
handoverType	HandoverType	1	Identifies the type of handover indicated by the source RAN node to the AMF. See TS 38.413 [23] clause 9.3.1.22.	M
targetToSourceContainer	RANTargetToSourceContainer	1	Provides radio related information about the gaining RAN node. See TS 38.413 [23] clause 9.3.1.21.	M

6.2.2.2.9.3 Handover request

The IRI-POI in the AMF shall generate an xIRI containing an AMFRANHandoverRequest record when the IRI-POI in the AMF detects that the AMF received a HANOVER REQUEST ACKNOWLEDGE message from the target RAN node (new RAN node) for the target UE and location information is not restricted by service scoping.

NOTE: The gaining RAN node sends the HANOVER REQUEST ACKNOWLEDGE in response to a HANOVER REQUEST from the AMF.

Table 6.2.2.9.3-1: Payload for AMFRANHandoverRequest record

Field name	Type	Cardinality	Description	M/C /O
userIdentifiers	UserIdentifiers	1	List of user identifiers associated with the target UE registration stored in the AMF context. See TS 29.518 [22] clause 6.1.6.2.25 and TS 23.502 [4] clause 4.11.2.2.	M
aMFUENGAPID	AMFUENGAPID	1	Identity that the AMF uses to uniquely identify the target UE over the NG Interface, See TS 38.413 [23] clause 9.3.3.1. This is correlated to the SUPI known in the UE AMF context.	M

Field name	Type	Cardinality	Description	M/C/O
rANUENGAPID	RANUENGAPID	1	Identity that the AMF receives from the NG-RAN node uniquely identifying the target UE within the NG-RAN Node. See TS 38.413 [23] clause 9.3.3.2.	M
handoverType	HandoverType	1	Identifies the type of handover indicated by the AMF to gaining RAN Node as seen in the HANDOVER REQUEST message. See TS 38.413 [23] clause 9.3.1.22.	M
handoverCause	HandoverCause	1	Indicates the cause of handover as seen in the HANDOVER REQUEST message from AMF to gaining RAN node. See TS 38.413 [23] clause 9.3.1.2.	M
pDUSessionResourceInformation	PDUSessionResourceInformation	1	Indicates the PDU Session to be transferred and Handover Command Transfer information as seen in the HANDOVER REQUEST and confirmed in the HANDOVER REQUEST ACKNOWLEDGE message. See TS 38.413 [23] clauses 9.3.1.50 and 9.3.4.10.	M
mobilityRestrictionList	MobilityRestrictionList	0..1	Provides roaming or access restrictions related to mobility from AMF to gaining RAN Node. Include if sent in HANDOVER REQUEST. See TS 38.413 [23] clause 9.3.1.85.	C
locationReportingRequestType	LocationReportingRequestType	0..1	Indicates the type of location reporting requested in the HANDOVER REQUEST. Include if in HANDOVER REQUEST message. See TS 38.413 [23] clause 9.3.1.65.	C
targetToSourceContainer	RANTargetToSourceContainer	1	Provides radio related information from gaining to losing NG-RAN node that the AMF receives from the gaining RAN Node in the HANDOVER REQUEST ACKNOWLEDGE message. See TS 38.413 [23] clause 9.3.1.21.	M
nPNAccessInformation	NPNAccessInformation	0..1	Globally identifies the secondary NG-RAN node CAG Cells. Include if sent in the HANDOVER REQUEST ACKNOWLEDGE message from gaining RAN node to AMF. See TS 38.413 [23] clause 9.3.3.46.	C
rANSourceToTargetContainer	RANSourceToTargetContainer	1	Provides radio related information via the AMF in the HANDOVER REQUEST from source to gaining NG-RAN node. See TS 38.413 [23] clause 9.3.1.21.	M

6.2.2.2.10 UE Configuration Update

The IRI-POI in the AMF shall generate an xIRI containing a AMFUEConfigurationUpdate record when the IRI-POI present in the AMF detects that a UE matching one of the target identifiers provided via LI_X1 has been commanded to update its configuration. Accordingly, the IRI-POI in the AMF generates the xIRI when the following event is detected:

- AMF sends a CONFIGURATION UPDATE COMMAND message to the target UE.

Table 6.2.2.2.10-1: Payload for AMFUEConfigurationUpdate record

Field name	Type	Cardinality	Description	M/C /O
userIdentifiers	UserIdentifiers	1	List of identifiers, including the target identifier, associated with the target UE registration stored in the AMF context. See TS 29.518 [22] clause 6.1.6.2.25.	M
gUTI	GUTI	1	Current 5G-GUTI associated with the UE context. If the AMF includes a new 5G-GUTI as a part of the configuration update, this parameter shall be set to the new GUTI and the oldGUTI parameter shall be populated, see TS 24.501 [13] clause 8.2.19.3.	M
oldGUTI	EPS5GGUTI	0..1	Old 5G-GUTI associated with the UE context. If the AMF includes a new 5G-GUTI as a part of the configuration update, this parameter shall be set to the old GUTI.	C
fiveGSTAIList	TAIList	0..1	List of tracking areas associated with the registration area within which the UE is current registered, see TS 24.501 [13] clause 9.11.3.9. Shall be included each time there is a change to the registration area and omitted if the registration area does not change.	C
slice	Slice	0..1	Provide, if available, one or more of the following: <ul style="list-style-type: none"> - allowed NSSAI (see TS 24.501 [13] clause 9.11.3.37). - configured NSSAI (see TS 24.501 [13] clause 9.11.3.37). - rejected NSSAI (see TS 24.501 [13] clause 9.11.3.46). This is derived from the information sent to the UE in the CONFIGURATION UPDATE COMMAND message.	C
serviceAreaList	ServiceAreaList	0..1	Includes a list of allowed service areas or non-allowed service areas, encoded per TS 24.501 [13] clause 9.11.3.49, omitting the first two octets. Shall be included if present in the CONFIGURATION UPDATE COMMAND message, see TS 24.501 [13] clause 8.2.19.	C
registrationResult	AMFRegistrationResult	0..1	Specifies the result of registration, see TS 24.501 [13] clause 9.11.3.6. Shall be included if present in the CONFIGURATION UPDATE COMMAND message, see TS 24.501 [13] clause 8.2.19.	C
sMSoverNASIndicator	SMSOverNASIndicator	0..1	Indicates whether SMS over NAS is supported. Shall be present if the SMS indication is present in the CONFIGURATION UPDATE COMMAND message, see TS 24.501 [13] clause 8.2.19.	C

6.2.2.2.11 Trace

6.2.2.2.11.1 General

Trace procedures, as defined in TS 32.423 [112], allow for the AMF to request trace sessions, including Minimization of Drive Test (MDT) data gathering for a target using UE-associated signalling.

The present clause provides the LI requirements for reporting trace sessions from the IRI-POI in the AMF for a target UE.

The following xIRI records are used to report trace related events between the AMF and RAN nodes for the target UE when the delivery of location information is not restricted by service scoping:

- AMFRANTraceReport

6.2.2.2.11.2 AMF RAN trace report

The IRI-POI in the AMF shall generate an xIRI containing an AMFRANTraceReport record when the IRI-POI present in the AMF has detected any of the following events:

- AMF sent a TRACE START message to the target RAN node (old RAN node) in response to a Trace Session Activation message for the target.
- AMF received a CELL TRAFFIC TRACE message from the NG-RAN for the target.
- AMF sent MDT or trace data to the trace collection entity for the target.
- AMF sent a deactivate trace message to the NG-RAN for the target.

Table 6.2.2.2.11.2-1: Payload for AMFRANTraceReport record

Field name	Type	Cardinality	Description	M/C/O
userIdentifiers	UserIdentifiers	1	List of identifiers, including the target identifier, associated with the target UE registration stored in the AMF context. See TS 29.518 [22] clause 6.1.2.25.	M
aMFUENGAPID	AMFUENGAPID	1	Identify that the AMF uses to uniquely identify the target UE over the NG Interface. See TS 38.413 [23] clause 9.3.3.1. This is correlated to the SUPI known in the UE AMF context.	M
rANUENGAPID	RANUENGAPID	1	Identify that the AMF receives from the NG-RAN node uniquely identifying the target UE with the NG-RAN Node. See TS 38.413 [23] clause 9.3.3.2.	M
traceRecordType	TraceRecordType	1	Identifies the type of trace record being generated. This parameter is populated with either Trace Start, Cell Traffic Trace, Trace Data Delivery, or Trace Deactivation.	M
traceDirection	TraceDirection	1	Identifies which network element is signalling the trace information. This parameter is populated with a choice of either AMF or NG-RAN. See TS 38.413 [23] clause 9.2.10.4	M
deprecatedTraceActivationInfo	TraceActivationInfo	0	No longer used in present version of this specification. Use traceActivation instead.	O
nGRANCGI	NCGI	1	Identifies the NR-RAN Cell Global Identifier of the cell performing the UE trace.	M
globalRANNodeID	GlobalRANNodeID	1	Uniquely identifies the NG-RAN node to which the TRACE START message is sent. This is derived from the initial NG Setup exchange between the NG-RAN node and the AMF.	M
traceCollectionEntityInfo	TraceCollectionEntityInfo	0..1	Provides information related to the trace collection entity to which the AMF sends the MDT or Trace data of the target. Shall be populated if the Trace Record Type is set to Trace Data Delivery. See TS 38.413 [23] clause 9.3.2.4. and 9.3.2.14.	C
aMFTraceData	XMLType	1	Includes the trace data (in raw XML format) sent from the AMF to the trace collection entity when the AMF is the trace collection NE. See TS 32.423 [112] clauses 4.18 and 5.2.	M
location	Location	0..1	Shall be provided if the current location is known in the UE context at the AMF or supplemented by the MDF2.	C

Field name	Type	Cardinality	Description	M/C/O
traceActivation	TraceActivation	0..1	Information related to a trace session activation provided from the AMF to the NG-RAN node. Shall be populated if the traceRecordType is set to Trace Start. The <i>ExternalASNType.encodedASNValue.alignedPER</i> choice shall be used when populating this type and it shall be populated with the contents of the Trace Activation IE defined in TS 38.413 [23] clause 9.3.1.14,	C

Table 6.2.2.2.11.2-2: Payload for traceCollectionEntityInfo Parameter

Field name	Type	Cardinality	Description	M/C/O
traceCollectionEntityIP	BIT STRING (SIZE(1..160, ...))	1	Indicates the transport layer address of the trace collection entity. May include IPv4, IPv6, or IPv4 and IPv6 addresses. Encoded per TS 38.414 [113] clause 5.3.	M
traceCollectionEntityURI	UTF8String	1	Indicates the URI of the trace collection entity. Include if sent in the TRACE START message. If the TRACE START message does not include a traceCollectionEntityURI, this parameter shall be sent as an empty string. See TS 38.413 [23] clause 9.3.1.14.	M

6.2.2.2.12 UE policy transfer

The IRI-POI present in the AMF shall generate an xIRI containing an AMFUEPolicyTransfer record when the IRI-POI present in the AMF detects one of the following events:

- AMF sends a Namf_Communication_N1MessageNotify Request (See TS 29.518 [22] clause 5.2.2.3) related to the target UE containing the N1 NAS message MANAGE UE POLICY COMPLETE. It confirms that UE policies forwarded by AMF to the target UE in the N1 NAS message MANAGE UE POLICY COMMAND have been accepted by the UE.

Table 6.2.2.2.12-1: Payload for AMFUEPolicyTransfer record

Field name	Type	Cardinality	Description	M/C/O
sUPI	SUPI	1	RCS target identities. All identities associated to the target known at the POI shall be included.	M
sUCI	SUCI	0..1	RCS Registration type, i.e. registration, re-registration and deregistration.	C
pEI	PEI	0..1	SIP REGISTER request related to target IMS Registration, Re-registration or Deregistration.	C
gPSI	GPSI	0..1	SIP REGISTER response related to target IMS Registration, Re-registration or Deregistration.	C
gUTI	FiveGGUTI	0..1	Shall include the target's location when reporting of the target's location information if authorized and available.	C
uePolicy	UEPolicy	1	Content of the N1 NAS message MANAGE UE POLICY COMMAND, as defined in TS 24.501 [13] table D.5.1.1.1.	M

6.2.2.2.13 Service Accept

The IRI-POI in the AMF shall generate an xIRI containing an or AMFUEServiceAccept record when the IRI-POI in present in the AMF detects that the AMF has sent a service accept in response to a service request or control plane service request from the target. Accordingly, the IRI-POI in the AMF generates the xIRI when any of the following events are detected:

- AMF sends a SERVICE ACCEPT message to the target in response to a SERVICE REQUEST message from the target.

- AMF sends a SERVICE ACCEPT message to the target in response to a CONTROL PLANE SERVICE REQUEST message from the target.

Table 6.2.2.2.13-1: Payload for AMFUEServiceAccept record

Field name	Type	Cardinality	Description	M/C/O
userIdentifiers	UserIdentifiers	1	List of identifiers, including the target identifier, associated with the target UE registration stored in the AMF context. See TS 29.518 [22] clause 6.1.6.2.25.	M
serviceMessageIdentity	ServiceMessageIdentity	1	Indicates the type of message sent within the SERVICE ACCEPT from the AMF to the UE. Encoding per TS 24.501 [13] clause 9.7.	M
serviceType	OCTET STRING (SIZE (1))	0..1	Indicates the purpose of the service request procedure. Encoded per TS 24.501 [13] clause 9.11.3.50.	C
fiveGTMSI	FiveGTMSI	0..1	TMSI value associated with the target within the AMF context. Include if known. Encoded per 24.501 [13] figure 9.11.3.4.5	C
uplinkDataStatus	OCTET STRING (SIZE (2..32))	0..1	Indicates if uplink data is pending for the PDU Session modified in the SERVICE REQUEST. See 24.501 [13] clause 9.11.3.57.	C
pDUSessionStatus	OCTET STRING (SIZE (2..32))	0..1	Indicates the current status of the PDU Session (active, inactive) for the PDU Session the target has attempted to activate. This parameter is encoded using the format defined in TS 24.501 [13] clause 9.11.3.44.	C
deprecatedUERequestType	FiveGSMRequestType	0	No longer used in present version of this specification. Use uERequestType instead.	O
pagingRestriction	PagingRestrictionIndicator	0..1	Indicates the current paging restriction status for the target as known at the AMF. Encoded per TS 24.501 [13] clause 9.11.3.77.2, omitting the first two octets.	C
forbiddenTAList	TAList	0..1	Provides a list of tracking areas that the UE is forbidden to use either during roaming or configured via regional service provisioning. See TS 24.501 [13] clause 8.2.17.7 and 8.2.17.8.	C
uERequestType	MUSIMUERequestType	0..1	Indicates a MUSIM UE has requested release of NAS signalling or has rejected paging. Include if the UE Request Type IE message (see TS 24.501 [18] clause 9.11.3.76) is sent in the SERVICE REQUEST or CONTROL PLANE SERVICE REQUEST. Encoded per UE Request Type as defined in TS 24.301 [51] clause 9.9.3.65 omitting the first two octets.	C

6.2.2.2A Definitions for AMF message Types

6.2.2.2A.1 Type: InitialRANUEContextSetup

The purpose of the InitialRANUEContextSetup type is to provide information the AMF sends to the NG-RAN to request the setup of the UE context. Encoded per TS 38.413 [23] clause 9.2.2.1.

Table 6.2.2.2A.1-1 contains the details for the InitialRANUEContextSetup type.

Table 6.2.2.2A.1-1: Structure of the InitialRANUEContextSetup type

Field name	Type	Cardinality	Description	M/C/O
aMFUENGAPID	AMFUENGAPID	1	Identity that the AMF uses to uniquely identify the target UE over the NG Interface, See TS 38.413 [23] clause 9.3.3.1.	M

Field name	Type	Cardinality	Description	M/C/O
rANUENGAPID	RANUENGAPID	1	Identity that the AMF receives from the NG-RAN node uniquely identifying the target UE within the NG-RAN Node. See TS 38.413 [23] clause 9.3.3.2.	M
oldAMF	GUAMI	0..1	Previous serving AMF's GUAMI, include when sent in the INITIAL CONTEXT SETUP REQUEST or when known at the NF. Format is defined in TS 29.571 [17] clause 5.3.4.1.	C
pDUSessionSetupRequest	SEQUENCE (SIZE (1..MAX)) OF PDU Session Setup Request Item	1..MAX	Identifies the PDU Sessions for a UE. Derived from the information in the PDU Session Resource Setup Request Item IE defined in TS 38.413 [23] clause 9.2.2.1.	M
allowedNSSAI	AllowedNSSAI	1	Indicates the S-NSSAIs permitted by the network.	M
mobilityRestrictionList	MobilityRestrictionList	0..1	Provides roaming or access restrictions related to mobility from AMF to the RAN Node. Include when sent in the INITIAL CONTEXT SETUP REQUEST or when known at the NF. See TS 38.413 [23] clause 9.3.1.85.	C
uERadioCapability	UERadioCapability	0..1	Contains the UE Radio Capability information. Include when sent in the INITIAL CONTEXT SETUP REQUEST or when known at the NF. Defined in TS 38.413 [23] clauses 9.3.1.74, and 9.3.1.74a.	C
rATFrequencySelectionPriority	RATFrequencySelectionPriority	0..1	Used to define local configuration for RRM strategies. Include when sent in the INITIAL CONTEXT SETUP REQUEST or when known at the NF. See TS 38.413 [23] 9.3.1.61.	C
uERadioCapabilityForPaging	UERadioCapabilityForPaging	0..1	Contains paging specific UE Radio Capability information. Include when sent in the INITIAL CONTEXT SETUP REQUEST or when known at the NF. Defined in TS 38.413 [23] clause 9.3.1.68.	C
iABAuthorizedIndicator	IABAuthorizedIndicator	0..1	Provides information about the authorization status of the UE to operate as an IAB node. Include when sent in the INITIAL CONTEXT SETUP REQUEST or when known at the NF. See TS 38.413 [23] clause 9.3.1.129.	C
nRV2XServicesAuthorization	NRV2XServicesAuthorization	0..1	Provides information on the authorization status of the UE to use the NR sidelink for V2X services. Include when sent in the INITIAL CONTEXT SETUP REQUEST or when known at the NF. See TS 38.413 [23] clause 9.3.1.146.	C
lTEV2XServiceAuthorization	LTEV2XServiceAuthorization	0..1	Provides information on the authorization status of the UE to use the LTE sidelink for V2X services. Include when sent in the INITIAL CONTEXT SETUP REQUEST or when known at the NF. See TS 38.413 [23] clause 9.3.1.147.	C
rGLevelWirelineAccessCharacteristics	OCTET STRING	0..1	Indicates the wireline access technology specific QoS information corresponding to a specific wireline access subscription. Include when sent in the INITIAL CONTEXT SETUP REQUEST or when known at the NF. Specified in TS 23.316 [122] clause 4.5.1.2.	C
uERadioCapabilityID	OCTET STRING	0..1	Identifier used to represent a set of UE radio capabilities. Include when sent in the INITIAL CONTEXT SETUP REQUEST or when known at the NF. Defined in TS 23.003 [19] clause 29.2.	C
targetNSSAIInfo	TargetNSSAIInfo	0..1	Contains the Target NSSAI and Index to RAT/Frequency Selection Priority. Include when sent in the INITIAL CONTEXT SETUP REQUEST or when known at the NF. Defined in TS 38.413 [23] clause 9.3.1.229.	C
fiveGProSeAuthorizationIndication	FiveGProSeAuthorizationIndication	0..1	Provides information on the authorization status of the UE to use ProSe services. Include when sent in the INITIAL CONTEXT SETUP REQUEST or when known at the NF. Defined in TS 38.413 [23] clause 9.3.1.233.	C

6.2.2.2A.2 Type: PDUSessionSetupRequestItem

The PDUSessionSetupRequestItem identifies a PDU Session for a UE. The PDUSessionSetupRequestItem is derived from the information in the PDU Session Resource Setup Request Item IE defined in TS 38.413 [23] clause 9.2.2.1.

Table 6.2.2.2A.2-1 contains the details for the PDUSessionSetupRequestItem type.

Table 6.2.2.2A.2-1: Structure of the PDUSessionSetupRequestItem type

Field name	Type	Cardinality	Description	M/C /O
pDUSessionID	PDUSessionID	1	Identifies a PDU Session for a UE. The definition and use of the PDU Session ID is specified in TS 23.501 [2] clause 5.6.	M
sNSSAI	SNSSAI	1	Slice identifier associated with the PDU session, if available. See TS 23.003 [19] clause 28.4.2 and TS 23.501 [2] clause 5.15.2.	M

6.2.2.2A.3 Type: UERadioCapability

The UERadioCapability contains the UE radio access capability information. The UERadioCapability type is derived from UE Radio Capability IE defined in TS 38.413 [23] clauses 9.3.1.74, and 9.3.1.74a.

Table 6.2.2.2A.3-1 contains the details for the UERadioCapability type.

Table 6.2.2.2A.3-1: Structure of the UERadioCapability type

Field name	Type	Cardinality	Description	M/C /O
uERadioCapibilityNR	OCTET STRING	0..1	Includes the UE Radio Capability information as defined in TS 38.413 [23] clause 9.3.1.74.	C
uERadioCapabilityEUTRA	OCTET STRING	0..1	Includes the UE Radio Capability – E-UTRA Format information message defined in TS 38.413 [23] clause 9.3.1.74a.	C

6.2.2.2A.4 Type: UERadioCapabilityForPaging

The UERadioCapabilityForPaging contains paging specific UE Radio Capability information. The UERadioCapabilityForPaging type is derived from the UE Radio Capability for Paging IE defined in TS 38.413 [23] clause 9.3.1.68.

Table 6.2.2.2A.4-1 contains the details for the UERadioCapabilityForPaging type.

Table 6.2.2.2A.4-1: Structure of the UERadioCapabilityForPaging type

Field name	Type	Cardinality	Description	M/C /O
uERadioCapabilityForPagingOfNR	OCTET STRING	0..1	Includes the UE Radio Capability Paging of NR information as defined in TS 38.413 [23] clause 9.3.1.68.	C
uERadioCapabilityForPagingOfEUTRA	OCTET STRING	0..1	Includes the UE Radio Capability Paging of E-UTRA information as defined in TS 38.413 [23] clause 9.3.1.68.	C
uERadioCapabilityForPagingOfNBIoT	OCTET STRING	0..1	Includes the UE Radio Capability Paging of NB-IoT information as defined in TS 38.413 [23] clause 9.3.1.68.	C

6.2.2.2A.5 Type: NRV2XServicesAuthorization

The NRV2XServicesAuthorization provides information on the authorization status of the UE to use the NR sidelink for V2X services. Defined in TS 38.413 [23] clause 9.3.1.146.

Table 6.2.2.2A.5-1 contains the details for the NRV2XServicesAuthorization type.

Table 6.2.2.2A.5-1: Structure of the NRV2XServicesAuthorization type

Field name	Type	Cardinality	Description	M/C /O
v2XVehicleUEAuthorizationIndicator	V2XUEAuthorizationIndicator	0..1	Indicates whether the UE is authorized as Vehicle UE.	C
v2XPedestrianUEAuthorizationIndicator	V2XUEAuthorizationIndicator	0..1	Indicates whether the UE is authorized as Pedestrian UE.	C

6.2.2.2A.6 Type: LTEV2XServicesAuthorization

The LTEV2XServicesAuthorization provides information on the authorization status of the UE to use the LTE sidelink for V2X services. Defined in TS 38.413 [23] clause 9.3.1.147.

Table 6.2.2.2A.6-1 contains the details for the LTEV2XServicesAuthorization type.

Table 6.2.2.2A.6-1: Structure of the LTEV2XServicesAuthorization type

Field name	Type	Cardinality	Description	M/C /O
v2XVehicleUEAuthorizationIndicator	V2XUEAuthorizationIndicator	0..1	Indicates whether the UE is authorized as Vehicle UE.	C
v2XPedestrianUEAuthorizationIndicator	V2XUEAuthorizationIndicator	0..1	Indicates whether the UE is authorized as Pedestrian UE.	C

6.2.2.2A.7 Type: TargetNSSAIInfo

The TargetNSSAIInfo contains the Target NSSAI and Index to RAT/Frequency Selection Priority. Derived from Target NSSAI Information IE defined in TS 38.413 [23] clause 9.3.1.229.

Table 6.2.2.2A.7-1 contains the details for the TargetNSSAIInfo type.

Table 6.2.2.2A.7-1: Structure of the TargetNSSAIInfo type

Field name	Type	Cardinality	Description	M/C /O
targetSNSSAIList	NSSAI	0..1	Contains the Target S-NSSAI list. Derived from the Target NSSAI IE specified in TS 38.413 [23] clause 9.3.1.230.	M
rATFrequencySelectionPriority	RATFrequencySelectionPriority	0..1	Used to define local configuration for RRM strategies.	M

6.2.2.2A.8 Type: FiveGProSeAuthorizationIndication

The FiveGProSeAuthorizationIndication provides information on the authorization status of the UE to use the 5G ProSe services. Derived from 5G ProSe Authorized IE defined in TS 38.413 [23] clause 9.3.1.233.

Table 6.2.2.2A.8-1 contains the details for the FiveGProSeAuthorizationIndication type.

Table 6.2.2.2A.8-1: Structure of the FiveGProSeAuthorizationIndication type

Field name	Type	Cardinality	Description	M/C /O
fiveGProSeDirectDiscovery	FiveGProSeAuthorizationIndicator	0..1	Indicates whether the UE is authorized for 5G ProSe Direct Discovery.	C
fiveGProSeDirectCommunication	FiveGProSeAuthorizationIndicator	0..1	Indicates whether the UE is authorized for 5G ProSe Direct Communication.	C
fiveGProSeL2UEToNetworkRelay	FiveGProSeAuthorizationIndicator	0..1	Indicates whether the UE is authorized for 5G ProSe Layer-2 UE-to-Network Relay.	C
fiveGProSeL3UEToNetworkRelay	FiveGProSeAuthorizationIndicator	0..1	Indicates whether the UE is authorized for 5G ProSe Layer-3 UE-to-Network Relay.	C

Field name	Type	Cardinality	Description	M/C/O
fiveGProSeL2RemoteUE	FiveGProSeAuthorizationIndicator	0..1	Indicates whether the UE is authorized for 5G ProSe Layer-2 Remote UE.	C

6.2.2.2A.9 Enumeration: IBAuthorizedIndicator

The IBAuthorizedIndicator provides information about the authorization status of the IAB node. Defined in TS 38.413 [23] clause 9.3.1.129.

Table 6.2.2.2A.9-1 contains the details of the IBAuthorizedIndicator type.

Table 6.2.2.2A.9-1: Enumeration for IBAuthorizedIndicator

Enumeration value	Description
authorized(1)	Indicates the UE is authorized to operate as an IAB node.
notAuthorized(2)	Indicates the UE is not authorized to operate as an IAB node.

6.2.2.2A.10 Enumeration: V2XUEAuthorizationIndicator

The V2XUEAuthorizationIndicator indicates whether the UE is authorized to use Sidelink for V2X operation. Derived from the IEs defined in TS 38.413 [23] clauses 9.3.1.146 and 9.3.1.147.

Table 6.2.2.2A.10-1 contains the details of the V2XUEAuthorizationIndicator type.

Table 6.2.2.2A.10-1: Enumeration for V2XUEAuthorizationIndicator

Enumeration value	Description
authorized(1)	Sidelink for V2X operation is authorized.
notAuthorized(2)	Sidelink for V2X operation is not authorized.

6.2.2.2A.11 Enumeration: FiveGProSeAuthorizationIndicator

The FiveGProSeAuthorizationIndicator indicates authorization status of the UE to use the 5G ProSe services. Derived from the 5G ProSe Authorized IE defined in TS 38.413 [23] clause 9.3.1.233.

Table 6.2.2.2A.11-1 contains the details of the FiveGProSeAuthorizationIndicator type.

Table 6.2.2.2A.11-1: Enumeration for FiveGProSeAuthorizationIndicator

Enumeration value	Description
authorized(1)	5G ProSe service is authorized.
notAuthorized(2)	5G ProSe service is not authorized.

6.2.2.3 Generation of IRI over LI_HI2

When an xIRI is received over LI_X2 from the IRI-POI in AMF, the MDF2 shall generate the corresponding IRI message and deliver over LI_HI2 without undue delay. The IRI message shall contain a copy of the relevant record received in the xIRI over LI_X2. This record may be enriched with any additional information available at the MDF (e.g. additional location information).

The ETSI TS 102 232-1 [9] *@LI-PS-PDU.pSHeader.timeStamp* shall be set to the time at which the AMF event was observed (i.e. the timestamp field of the X2 PDU).

The *@LI-PS-PDU.payload.iRIPayloadSequence.iRIType* parameter (see ETSI TS 102 232-1 [9] clause 5.2.10) shall be included and coded according to table 6.2.2-7.

Table 6.2.2-7: IRI type for IRI messages

IRI message	IRI type
AMFRegistration	REPORT
AMFDeregistration	REPORT
AMFLocationUpdate	REPORT
AMFStartOfInterceptionWithRegisteredUE	REPORT
AMFUnsuccessfulProcedure	REPORT
AMFIdentifierAssociation	REPORT
AMFPositioningInfoTransfer	REPORT
AMFRANHandoverCommand	REPORT
AMFRANHandoverRequest	REPORT
AMFUEConfigurationUpdate	REPORT
AMFRANTraceReport	REPORT
AMFUEPolicyTransfer	REPORT
AMFUEServiceAccept	REPORT

These IRI messages shall omit the CIN (see ETSI TS 102 232-1 [9] clause 5.2.4).

The @LI-PS-PDU.payload.iRIPayloadSequence.iRIContents.threeGPP33128DefinedIRI field of the LI_HI2 message shall be populated with the BER-encoded *IRIPayload* as described in in ETSI TS 102 232-7 [10] clause 15.

When an additional warrant is activated on a target UE and the LIPF uses the same XID for the additional warrant, the MDF2 shall be able to generate and deliver the IRI message containing the AMFStartOfInterceptionWithRegisteredUE record to the LEMF associated with the additional warrant without receiving a corresponding xIRI. The payload of the AMFStartOfInterceptionWithRegisteredUE record is specified in table 6.2.2.2.5-1.

If the MDF2 did not receive a previous *AMFStartOfInterceptionWithRegisteredUE.timeOfRegistration* parameter for the same registration from the IRI-POI, the MDF2 shall set the value of the *AMFStartOfInterceptionWithRegisteredUE.timeOfRegistration* field to the time provided in the timestamp previously received in the header of the related AMFRegistration xIRI.

6.2.2.4 Identity privacy

The AMF shall ensure for every registration (including re-registration) that SUPI has been provided by the UDM to the AMF and that the SUCI to SUPI mapping has been verified as defined in TS 33.501 [11]. This shall be performed regardless of whether the SUPI is a target of interception, and whether the null encryption algorithm is used for the SUCI. The AMF shall maintain the SUPI to SUCI mapping for at least the lifetime of the registration in order to allow interception based on SUPI after the initial registration.

6.2.2A Identifier Reporting for AMF

6.2.2A.1 Activation of reporting over LI_XEM1

The IEF in the AMF is activated and deactivated over LI_XEM1 by the LIPF using the LI_XEM1 protocol described in clause 5.2.7.

NOTE: Since the IEF reports association events for all UEs registered in the IEF's parent AMF, unlike POIs there is no concept of provisioning an IEF with target identifiers.

Upon receiving a valid activate task message over LI_XEM1, the IEF shall start generating records as defined in clause 6.2.2A.2.

Upon receiving a valid deactivate task message over LI_XEM1, the IEF shall stop generating records as defined in clause 6.2.2A.2.

6.2.2A.2 Generation of records over LI_XER

6.2.2A.2.1 Events

The IEF in the AMF shall generate an IEFIdentifierAssociation record whenever the IEF present in the AMF detects a change in association between a SUPI and a 5G-GUTI for any UE registered with the AMF. The IEF shall send the IEFIdentifierAssociation records to the ICF over LI_XER as defined in clause 5.9.

Accordingly, the IEF in the AMF generates IEFIdentifierAssociation records when any of the following events are detected:

- IEFAssociationRecord: Association of a 5G-GUTI to a SUPI, (this may also include SUCI to SUPI association).
- IEFDeassociationRecord: De-association of a 5G-GUTI from a SUPI.

NOTE1: The de-association of 5G-GUTI from a SUPI event record is only generated if a new 5G-GUTI is not allocated to a SUPI to update a previous association (e.g. at inter-AMF handover).

NOTE 2: As SUCIs are single use and only valid for a single authentication, they are only valid at the single point in time when the association event is detected and reported to the ICF by the IEF.

In addition, when an IEF is activated as per clause 6.2.2A.1, the IEF shall generate associations event for all SUPIs which are registered in the AMF, where those identifier associations allocated prior to IEF activation remain current and are still available in the AMF (See NOTE 2).

NOTE 3: Only identifier associations which have been maintained by the AMF as part of normal network operations will be available.

In the case where the IEF in the AMF detects that a REGISTRATION ACCEPT message or a CONFIGURATION UPDATE (5G-GUTI) message as defined in TS 24.501 [13] has been sent by the AMF towards a UE, the IEF shall immediately generate an IEFIdentifierAssociation record. This record shall be generated regardless of whether the CONFIGURATION UPDATE (5G-GUTI) or REGISTRATION ACCEPT procedure is subsequently successfully completed or not.

Also, an IEFAssociationRecord shall be generated when there is no change in the 5G-GUTI to SUPI association, but an update of any other reportable parameter (e.g. GPSI) is detected by the IEF.

6.2.2A.2.2 Association Events

For each association event, the IEF shall create an IEFAssociationRecord, as defined below.

Table 6.2.2A.2.2-1: Payload for IEFAssociationRecord

Field name	Type	Cardinality	Description	M/C/O
sSUPI	SUPI	1	SUPI associated with detected association event.	M
fiveGGUTI	FiveGGUTI	1	5G-GUTI shall be provided. Encoded as per TS 24.501 [13] figure 9.11.3.4.1, omitting the first four octets.	M
timeStamp	GeneralizedTime	1	Time at which the identifier association event occurred. Shall be given qualified with time zone information (i.e. as UTC or offset from UTC, not as local time).	M
tAI	TAI	1	Last known TAI associated with the SUPI. Encoded as per TS 24.501 [13] clause 9.11.3.8, omitting the first octet.	M
nCGI	NCGI	1	Current nCGI known when the identifier association event is detected. Given as a sequence of PLMNID (encoded as per TS 38.413 [23] clause 9.3.3.5) and NCI (encoded as per TS 38.413 [23] clause 9.3.1.7).	M
nCGITime	GeneralizedTime	1	ueLocationTimestamp of the current nCGI if available in AMF as per TS 29.571 [17] clause 5.4.4.9. If ueLocationTimestamp is not available, shall be populated with timestamp of when the current nCGI was obtained and stored by the AMF.	M
sSUCI	SUCI	0..1	SUCI shall be provided when event is triggered by association of a SUCI to a SUPI. Encoded as per TS 24.501 [13] clause 9.11.3.4, omitting the first 3 octets.	C
pEI	PEI	0..1	PEI, (see NOTE 1).	C

Field name	Type	Cardinality	Description	M/C/O
fiveGSTAIList	FiveGSTAIList	0..1	List of tracking areas associated with the registration area within which the UE is current registered, see TS 24.501 [13] clause 9.11.3.9. (see NOTE 2)	C
gPSI	GPSI	0..1	GPSI, (see NOTE 1).	C
additionalCGIs	AdditionalCGIs	0..1	This parameter shall be present if the AMF has additional cell information for the UE when the identifier association event is detected. Shall contain a list of additional NCGIs that are available at the AMF.	C
NOTE 1: Shall be provided in first association record to ICF after PEI or GPSI is available and following any change of PEI or GPSI.				
NOTE 2: As a minimum, list of tracking areas shall be included in the first association event for each SUPI registered (per UE session) with the AMF and additionally whenever the TAI list changes due to a change in registration area.				

For each de-association event, the IEF shall create an IEFDeassociationRecord, as defined below.

Table 6.2.2A.2.2-2: Payload for IEFDeassociationRecord

Field name	Type	Cardinality	Description	M/C/O
sUPI	SUPI	1	SUPI associated with detected de-association event.	M
fiveGGUTI	FiveGGUTI	1	5G-GUTI shall be provided. Encoded as per TS 24.501 [13] figure 9.11.3.4.1, omitting the first four octets.	M
timeStamp	GeneralizedTime	1	Time at which the identifier de-association event occurred. Shall be given qualified with time zone information (i.e. as UTC or offset from UTC, not as local time)	M
nCGI	NCGI	1	Current nCGI known when the identifier de-association event detected. Given as a sequence of PLMNID (encoded as per TS 38.413 [23] clause 9.3.3.5) and NCI (encoded as per TS 38.413 [23] clause 9.3.1.7).	M
nCGITime	GeneralizedTime	1	ueLocationTimestamp of nCGI if available in AMF as per TS 29.571 [17] clause 5.4.4.9. If ueLocationTimestamp is not available, shall be populated with timestamp of when the current nCGI was obtained and stored by the AMF.	M
additionalCGIs	AdditionalCGIs	0..1	This parameter shall be present if the AMF has additional cell information for the UE when the identifier de-association event is detected. Shall contain a list of additional NCGIs that are available at the AMF.	C

6.2.2A.2.3 Transmission to the ICF

When activated (see clause 5.2.7), the IEF shall establish a TLS connection to the ICF as given over LI_XER. If the IEF fails to establish a TLS connection, it shall report an error over LI_XEM1 using the error reporting mechanisms described in ETSI TS 103 221-1 [7] and attempt to reconnect after a configurable period of time.

When a record has been generated as described in clause 6.2.2A.2.2, the IEF shall encode the IEFAssociationRecord or IEFDeassociationRecord as a BER-encoded *@TS33128IdentityAssociation.IEFMessage*, and transmit it to the ICF over the established TLS connection.

The IEF may transmit a keepalive request using the keepalive record defined in Annex F. Upon receiving a keepalive request, the ICF shall respond with a keepaliveResponse record containing the same sequence number used in the request. The circumstances under which the IEF transmits keepalive requests is out of scope of the present document.

6.2.2A.2.4 Additional location reporting

6.2.2A.2.4.1 Type: AdditionalCGIs

When additional cell information is available in the AMF at the time the association and de-association events are detected, and is being reported, are encoded as defined below.

Table 6.2.2A.2.4.1-1: Payload for AdditionalCGIs type

Field name	Type	Cardinality	Description	M/C/O
additionalNCGList	SEQUENCE OF AdditionalNCGI	0..MAX	Shall contain a list of additional NCGIs that are available at the AMF when either the identifier association or de-association events are detected.	C

6.2.2A.2.4.2 Type: AdditionalNCGI

The additional NCGI that is being reported in the the IEFAssociationRecord and IEFDeassociationRecord are reported in the AdditionalNCGI type, as defined below.

Table 6.2.2A.2.4.2-1: Payload for AdditionalNCGI

Field name	Type	Cardinality	Description	M/C/O
nCGI	NCGI	1	NCGI available in the AMF. Given as a sequence of PLMNID (encoded as per TS 38.413 [23] clause 9.3.3.5) and NCI (encoded as per TS 38.413 [23] clause 9.3.1.7).	M

6.2.3 LI for SMF/UPF

6.2.3.1 Provisioning over LI_X1

6.2.3.1.1 General

If the warrant is for IRI and CC, then the IRI-POI and the CC-TF in the SMF shall be provisioned in accordance with clause 6.2.3.1.2, the MDF2 shall be provisioned in accordance with clause 6.2.3.1.3, and the MDF3 shall be provisioned in accordance with clause 6.2.3.1.4.

If the warrant is for IRI only, the IRI-POI in the SMF shall be provisioned in accordance with clause 6.2.3.1.2 and the MDF2 shall be provisioned in accordance with clause 6.2.3.1.3.

If approach 1 described in clause 6.2.3.9 is used for packet header information reporting, the IRI-TF in the SMF shall be provisioned in accordance with clause 6.2.3.1.2 and the MDF2 shall be provisioned in accordance with clause 6.2.3.1.3. If approach 2 described in clause 6.2.3.9 is used for packet header information reporting, the CC-TF in the SMF shall be provisioned in accordance with clause 6.2.3.1.2, the MDF2 shall be provisioned in accordance with clause 6.2.3.1.3, and the MDF3 shall be provisioned in accordance with clause 6.2.3.1.4.

If the SMF is part of a combined SMF+PGW-C, the requirements in clause 6.3.3 shall apply.

6.2.3.1.2 Provisioning of the IRI-POI, IRI-TF and CC-TF in the SMF

The IRI-POI, IRI-TF and CC-TF present in the SMF are provisioned over LI_X1 by the LIPF using the X1 protocol as described in clause 5.2.2.

The POI/TF in the SMF shall support the following target identifier formats in the ETSI TS 103 221-1 [7] messages (or equivalent if ETSI TS 103 221-1 [7] is not used):

- SUPIIMSI.
- SUPINAI.
- PEIIMEI.
- PEIIMEISV.
- GPSIMSISDN.
- GPSINAI.

Table 6.2.3-0A shows the minimum details of the LI_X1 ActivateTask message used for provisioning the IRI-POI, in the SMF.

Table 6.2.3-0A: ActivateTask message for SMF IRI-POI, CC-TF and IRI-TF

ETSI TS 103 221-1 [7] field name	Description	M/C/O
XID	XID assigned by LIPF. If the CC-TF or IRI-TF is also being tasked for the same interception, the same XID shall be used.	M
TargetIdentifiers	One or more of the target identifiers listed in the paragraph above.	M
DeliveryType	Set to "X2Only", "X3Only" or "X2andX3" as needed to meet the requirements of the warrant. (NOTE: "X2Only" for IRI-POI, IRI-TF and "X3Only" for CC-TF can also be used).	M
TaskDetailsExtensions/ HeaderReporting	Header reporting-specific tag to be carried in the <i>TaskDetailsExtensions</i> field of ETSI TS 103 221-1 [7]. See table 6.2.3.9.2-1. Unless there is a CSP/LEA agreement to not report packet header information, this field shall be present to enable packet header information reporting.	C
ListOfDIDs	Delivery endpoints of LI_X2 or LI_X3. These delivery endpoints shall be configured using the <i>CreateDestination</i> message as described in ETSI TS 103 221-1 [7] clause 6.3.1 prior to first use.	M
ListOfServiceTypes	Shall be included when the task should only intercept specific CSP service types as described in clause 5.2.4. This parameter is defined in ETSI TS 103 221-1 [7] clause 6.2.1.2 table 4.	C

To enable packet header information reporting, parameters specified in table 6.2.3.9.2-1: PDHRRReportingExtensions parameters shall be provided as the TaskDetailsExtensions/HeaderReporting field of the LI_X1 provisioning message.

6.2.3.1.3 Provisioning of the MDF2

The MDF2 listed as the delivery endpoint for xIRI generated by the IRI-POI in the SMF or the IRI-POI in the UPF shall be provisioned over LI_X1 by the LIPF using the X1 protocol as described in clause 5.2.2. Table 6.2.3-0B shows the minimum details of the LI_X1 ActivateTask message used for provisioning the MDF2.

The MDF2 shall support the following target identifier formats in the ETSI TS 103 221-1 [7] messages (or equivalent if ETSI TS 103 221-1 [7] is not used):

- SUPIIMSI.
- SUPINAI.
- PEIIMEI.
- PEIIMEISV.
- GPSIMSISDN.
- GPSINAI.

Table 6.2.3-0B: ActivateTask message for MDF2

ETSI TS 103 221-1 [7] field name	Description	M/C/O
XID	XID assigned by LIPF.	M
TargetIdentifiers	One or more of the target identifiers listed in the paragraph above.	M
DeliveryType	Set to "X2Only", "X3Only" or "X2andX3" as needed to meet the requirements of the warrant. (Ignored by the MDF2).	M
TaskDetailsExtensions/ HeaderReporting	Header reporting-specific tag to be carried in the <i>TaskDetailsExtensions</i> field of ETSI TS 103 221-1 [7]. See table 6.2.3.9.2-1. Unless there is a CSP/LEA agreement to not report packet header information, this field shall be present to enable packet header information reporting.	C
ListOfDIDs	Delivery endpoints of LI_HI2. These delivery endpoints shall be configured using the <i>CreateDestination</i> message as described in ETSI TS 103 221-1 [7] clause 6.3.1 prior to first use.	M
ListOfMediationDetails	Sequence of Mediation Details, See table 6.2.3-0C.	M

Table 6.2.3-0C: Mediation Details for MDF2

ETSI TS 103 221-1 [7] field name	Description	M/C/O
LIID	Lawful Intercept ID associated with the task.	M
DeliveryType	Set to "HI2Only".	M
ListOfDIDs	Details of where to send the IRI for this LIID. Shall be included if deviation from the ListofDIDs in the ActivateTask message is necessary. If included, the ListOfDIDs in the Mediation Details shall be used instead of any delivery destinations authorised by the ListOfDIDs field in the ActivateTask Message.	C
ServiceScoping	Shall be included to Identify the service(s) and associated service-related delivery settings for this LIID. May include more than one instance of this parameter to allow for different combinations of subparameters associated with a single LIID. This parameter is defined in ETSI TS 103 221-1 [7] Annex C table C.2.	C
MediationDetailsExtensions/ HeaderReporting	Header reporting-specific tag to be carried in the MediationDetailsExtensions field of ETSI TS 103 221-1 [7]. See table 6.2.3.9.2-1. This field shall be included if deviation from the taskDetails HeaderReporting TaskDetailsExtensions is required. If included, the details shall be used instead of the HeaderReporting instructions specified in the HeaderReporting field in the TaskDetails structure.	C

6.2.3.1.4 Provisioning of the MDF3

The MDF3 listed as the delivery endpoint for the xCC generated by the CC-POI in the UPF shall be provisioned over LI_X1 by the LIPF using the X1 protocol as described in clause 5.2.2. Table 6.2.3-0D shows the minimum details of the LI_X1 ActivateTask message used for provisioning the MDF3. If packet header information reporting is authorised and approach 2 described in clause 6.2.3.9.1 is used, the endpoint for the MDF3 shall be the MDF2 over LI_MDF.

The MDF3 shall support the following target identifier formats in the ETSI TS 103 221-1 [7] messages (or equivalent if ETSI TS 103 221-1 [7] is not used):

- SUPIIMSI.
- SUPINAI.
- PEIIMEI.
- PEIIMEISV.
- GPSIMSISDN.
- GPSINAI.

Table 6.2.3-0D: ActivateTask message for MDF3

ETSI TS 103 221-1 [7] field name	Description	M/C/O
XID	XID assigned by LIPF.	M
TargetIdentifiers	One or more of the target identifiers listed in the paragraph above.	M
DeliveryType	Set to "X2Only", "X3Only" or "X2andX3" as needed to meet the requirements of the warrant.	M
TaskDetailsExtensions/ HeaderReporting	Header reporting-specific tag to be carried in the <i>TaskDetailsExtensions</i> field of ETSI TS 103 221-1 [7]. See table 6.2.3.9.2-1. Unless there is a CSP/LEA agreement to not report packet header information, this field shall be present to enable packet header information reporting is.	C
ListOfDIDs	Delivery endpoints of LI_HI3 or LI_MDF. These delivery endpoints shall be configured using the <i>CreateDestination</i> message as described in ETSI TS 103 221-1 [7] clause 6.3.1 prior to first use.	M
ListOfMediationDetails	Sequence of Mediation Details, see table 6.2.3-0E.	M

Table 6.2.3-0E: Mediation Details for MDF3

ETSI TS 103 221-1 [7] field name	Description	M/C/O
LIID	Lawful Intercept ID associated with the task.	M
DeliveryType	Set to "HI3Only".	M
ListOfDIDs	Details of where to send the CC for this LIID. Shall be included if deviation from the ListofDIDs in the ActivateTask message is necessary. If included, the ListOfDIDs in the Mediation Details shall be used instead of any delivery destinations authorised by the ListOfDIDs field in the ActivateTask Message.	C
ServiceScoping	Shall be included to Identify the service(s) and associated service-related delivery settings for this LIID. May include more than one instance of this parameter to allow for different combinations of subparameters associated with a single LIID. This parameter is defined in ETSI TS 103 221-1 [7] Annex C table C.2.	C
MediationDetailsExtensions/ HeaderReporting	Header reporting-specific tag to be carried in the MediationDetailsExtensions field of ETSI TS 103 221-1 [7]. See table 6.2.3.9.2-1. This field shall be included if deviation from the taskDetails HeaderReporting TaskDetailsExtensions is required. If included, the details shall be used instead of the HeaderReporting instructions specified in the HeaderReporting field in the TaskDetails structure.	C

6.2.3.2 Generation of xIRI at IRI-POI in SMF over LI_X2

6.2.3.2.1 General

The IRI-POI present in the SMF shall send the xIRIs over LI_X2 for each of the events listed in TS 33.127 [5] clause 6.2.3.3, the details of which are described in the following clauses. In the case where the SMF is part of a combined SMF+PGW-C, the details of the events are specified in clause 6.3.3.2. The IRI-POI present in the SMF shall also send a SeparatedLocationReporting xIRI (as described in clause 7.3.4.1) when the IRI-POI provisioned in the H-SMF detects that the V-SMF has sent location data via the HsmfUpdateData service operation to the H-SMF that does not otherwise trigger an existing SMF record type.

As specified in TS 23.501 [2] clause 5.6.1, a PDU session may support either a single-access PDU Connectivity Service (referred to as a single-access PDU Session) or a multi-access PDU Connectivity Service (referred to as a Multi-Access PDU (MA PDU) session).

The details of the messages for single-access PDU sessions are provided below in clauses 6.2.3.2.2, 6.2.3.2.3, 6.2.3.2.4, 6.2.3.2.5 and 6.2.3.2.6.

The details of the messages for multi-access PDU sessions are provided below in clauses 6.2.3.2.7 and 6.2.3.2.8.

6.2.3.2.2 PDU session establishment

The IRI-POI in the SMF shall generate an xIRI containing an SMF PDU Session Establishment record when the IRI-POI present in the SMF detects that a single-access PDU session has been established for the target UE. The IRI-POI present in the SMF shall generate the xIRI for the following events:

- For a non-roaming scenario, the SMF (or for a roaming scenario, V-SMF in the VPLMN for HR or SMF in the VPLMN for LBO), sends the N1 NAS message (via AMF) PDU SESSION ESTABLISHMENT ACCEPT to the UE and the 5G Session Management (5GSM) state within the SMF is changed to PDU SESSION ACTIVE (see TS 24.501 [13] clauses 6.1.3.3 and 6.4.1).
- For a home-routed roaming scenario, the SMF in the HPLMN (i.e. H-SMF) sends the N16: Nsmf_PDU_Session_Create Response message with n1SmInfoToUe IE containing the PDU SESSION ESTABLISHMENT ACCEPT (see TS 29.502 [16] clauses 5.2.1, 5.2.2.7, 5.2.3, 6.1.2.4, and 6.1.6.4).

If the Npcf_SMPolicyControl_Create response received from the PCF for the target UE in response to Npcf_SMPolicyControl_Create request includes PCC rules in which the traffic control policy data contains either a routeToLocs IE or trafficSteeringPolIdDI IE and/or trafficSteeringPolIdUI IE, then the SMF shall include those PCC rules in the xIRI. These PCC rules correspond to policies that influence the target UE's traffic flows (see TS 29.513 [88] clause 5.5.3).

Table 6.2.3-1: Payload for SMF PDU Session Establishment record

Field name	Type	Cardinality	Description	M/C/O
sUPI	SUPI	0..1	SUPI associated with the PDU session (e.g. as provided by the AMF in the associated Nsmf_PDU_Session_CreateSMContext service operation). Shall be present except for PEI-only unauthenticated emergency sessions (see NOTE).	C
sUPIUnauthenticated	SUPIUnauthenticatedIndication	0..1	Shall be present if a SUPI is present in the message and set to "true" if the SUPI has not been authenticated, or "false" if it has been authenticated.	C
pEI	PEI	0..1	PEI associated with the PDU session, if available (see NOTE).	C
gPSI	GPSI	0..1	GPSI associated with the PDU session, if available (see NOTE).	C
pDUSessionID	PDU Session ID	1	PDU Session ID. See TS 24.501 [13] clause 9.4.	M
gTPTunnelID	FTEID	1	Contains the F-TEID identifying the UPF endpoint of the GTP tunnel used to encapsulate the traffic derived from the UL NG-U UP TNL Information (see TS 38.413 clause 9.3.4.1), as defined in TS 29.244 [15] clause 8.2.3. Non-GTP encapsulation is for further study.	M
pDUSessionType	PDU Session Type	1	Identifies selected PDU session type, see TS 24.501 [13] clause 9.11.4.11.	M
sNSSAI	SNSSAI	0..1	Slice identifiers associated with the PDU session, if available. See TS 23.003 [19] clause 28.4.2 and TS 23.501 [2] clause 5.15.2.	C
uEEndpoint	SEQUENCE OF UEEndpointAddresses	0..MAX	UE endpoint address(es) assigned to the PDU Session, if available (see TS 29.244 [15] clause 5.21).	C
non3GPPAccessEndpoint	UEEndpointAddresses	0..1	UE's local IP address used to reach the N3IWF, TNGF or TWIF, if available. IP addresses are given as 4 octets (for IPv4) or 16 octets (for IPv6) with the most significant octet first (network byte order).	C
location	Location	0..1	Location information provided by the AMF or present in the context at the SMF, if available.	C
dNN	DNN	1	Data Network Name requested by the target UE, as defined in TS 23.003 [19] clause 9A and described in TS 23.502 [4] clause 4.3.2.2. Shall be given in dotted-label presentation format as described in TS 23.003 [19] clause 9.1.	M
aMFID	AMFID	0..1	Identifier of the AMF associated with the target UE, as defined in TS 23.003 [19] clause 2.10.1 if available.	C
hSMFURI	HSMFURI	0..1	URI of the Nsmf_PDU_Session service of the selected H-SMF, if available. See TS 29.502 [16] clause 6.1.6.2.2.	C
requestType	FiveGSMRequestType	1	Type of request as described in TS 24.501 [13] clause 9.11.3.47 provided within the Nsmf_PDU_Session_CreateSMContext Request (TS 29.502 [16]) message shall be reported. In the case where the network does not support Multi Access (MA) PDU sessions, but receives a MA PDU session request, a request type of "Initial request" shall be reported. In the case where the network does not provide a request type value for a non-MA PDU session, a request type of "initial request", according to TS 24.501 [13] clause 6.4.1.2 shall be reported.	M
accessType	AccessType	0..1	Access type associated with the session (i.e. 3GPP or non-3GPP access) if provided by the AMF (see TS 24.501 [13] clause 9.11.2.1A).	C
rATType	RATType	0..1	RAT Type associated with the access if provided by the AMF as part of session establishment (see TS 23.502 [4] clause 4.3.2). Values given as per TS 29.571 [17] clause 5.4.3.2.	C
sMPDUDNRequest	SMPDUDNRequest	0..1	Contents of the SM PDU DN Request container, if available, as described in TS 24.501 [13] clause 9.11.4.15.	C

Field name	Type	Cardinality	Description	M/C/O
uEEPSPDNConnection	UEEPSPDNConnection	0..1	This IE shall be present, if available, during an EPS to 5GS Idle mode mobility or handover using the N26 interface. If present, it shall contain the EPS bearer context(s) information present in the uEEPSPDNConnection parameter of the intercepted SmContextCreateData message. (see TS 29.502 [16] clause 6.1.6.2.2).	C
ePS5GSCombolInfo	EPS5GSCombolInfo	0..1	Provides detailed information about PDN Connections associated with the reported PDU Session. Shall be included if the AMF has selected a SMF+PGW-C to serve the PDU session. This parameter shall include the additional IEs in Table 6.2.3-1A, if present.	C
selectedDNN	DNN	0..1	Shall be present if a DNN other than the UE requested DNN is selected for the PDU Session. Shall be given in dotted-label presentation format as described in TS 23.003 [19] clause 9.1.	C
servingNetwork	SMFServingNetwork	0..1	PLMN ID of the serving core network operator, and, for a Non-Public Network (NPN), the NID that together with the PLMN ID identifies the NPN. Shall be present if this IE is in the SMContextCreateData or PDUSessionCreateData message sent to the SMF or the PDU Session Context or SM Context at the SMF (see TS 29.502 [16] clauses 6.1.6.2.2, 6.1.6.2.9 and 6.1.6.2.39).	C
oldPDUSessionID	PDUSessionID	0..1	Shall be present if this IE is in the SMContextCreateData or PDUSessionCreateData message sent to the SMF or the PDU Session Context or SM Context at the SMF (see TS 29.502 [16] clauses 6.1.6.2.2, 6.1.6.2.9 and 6.1.6.2.39).	C
handoverState	HandoverState	0..1	Indicates whether the PDU Session Establishment being reported was due to a handover. Shall be present if this IE is in the SMContextCreatedData sent by the SMF (see TS 29.502 [16] clause 6.1.6.2.3).	C
gTPTunnelInfo	GPTTunnelInfo	1	Contains the information for the User Plane GTP Tunnels for the PDU Session (see TS 29.502 [16] clauses 6.1.6.2.2, 6.1.6.2.9 and 6.1.6.2.39). See Table 6.2.3-1B.	M
pCCRules	PCCRuleSet	0..1	Set of PCC rules related to traffic influence. Each PCC rule influences the routing of a given traffic flow. If several flows are concerned, then several PCC rules shall be handled by the SMF. Traffic influence policies are originated by an AF. PCF translates these rules into PCC rules for traffic influence. The payload of a PCC rule for traffic influence is defined in Table 6.2.3-1E.	C
ePSPDNConnectionEstablishment	EPSPDNConnectionEstablishment	0..1	Provides details about PDN Connections when the SMFPDUSessionEstablishment xIRI message is used to report PDN Connection establishment. See Table 6.3.3-1 and clause 6.3.3.2.2.	C
satelliteBackhaulCategory	SBType	0..1	Indicates that a satellite backhaul is used towards 5G AN and the corresponding backhaul category, if available. Encoded according to TS 29.571 [17] clause 5.4.3.39. The SBReference for this parameter shall be populated with 'TS29571_CommonData.yaml#/components/schemas/SatelliteBackhaulCategory'.	C
gEOSatelliteID	GEOsatelliteID	0..1	Indicates the satellite ID if satellite backhaul category is GEO, if available. Encoded according to TS 29.571 [17] clause 5.4.2.	C

NOTE: At least one of the SUPI, PEI or GPSI fields shall be present.

Table 6.2.3-1A: Payload for ePS5GSCombInfo

Field name	Type	Cardinality	Description	M/C /O
ePSInterworkingIndication	EPSInterworkingIndication	1	Indicates whether and how the PDU Session may be moved to EPS. Shall be derived from the EpsInterworkingIndication associated with the PDU Session at the SMF+PGW-C (see TS 29.502 [16] clause 6.1.6.3.11).	M
ePSSubscriberIDs	EPSSubscriberIDs	1	Includes the Subscriber Identities associated with the EPS PDN Connection in the UE Context sent from the MME to the AMF or known in the context at the SMF+PGW-C. See TS 29.274 [87] clause 7.2.1 and TS 23.502 [4] clause 4.11.1.	M
ePSPdnCnxInfo	EPSPDNCnxInfo	0..1	Shall be present if there are any EPS PDN connections associated to the PDU Session in the SM Context or PDU Session Context at the SMF+PGW-C. Contains information about the EPS PDN connection associated with the PDU Session. See TS 29.502 [16] clause 6.1.6.2.31.	C
ePSBearerInfo	EPSBearerInfo	0..1	Shall be present if there are any EPS Bearers associated to the PDU Session in the SM Context or PDU Session Context at the SMF+PGW-C. Contains information about the EPS Bearer context(s) associated with the PDU Session. See TS 29.502 [16] clause 6.1.6.2.4.	C

Table 6.2.3-1B: Payload for gTPTunnelInfo field

Field name	Type	Cardinality	Description	M/C /O
fiveGSGTPTunnels	FiveGSGTPTunnels	0..1	Shall include the 5GS GTP Tunnels (see Table 6.2.3-1C) when the xIRI message is used to report PDU Session related events.	C
ePSGTPTunnels	EPSTPTunnels	0..1	Shall include the information for the User Plane GTP Tunnels for the bearer context if present in the Request or Response (see TS 29.274 [87] clauses 7.2.2, 7.2.4 and 8.15) or known at the context at the SGW or PGW (see TS 23.401 [50] clause 5.6.4) when the xIRI message is used to report PDN Connection related events. See Table 6.3.3-6.	C

Table 6.2.3-1C: Payload for fiveGSGTPTunnels field

Field name	Type	Cardinality	Description	M/C /O
uLNGUPTunnelInformation	FTEID	0..1	Shall include the F-TEID for the UPF endpoint of the NG-U transport bearer (see TS 38.413 [23] clause 9.3.4.1).	C
additionalULNGUPTunnelInformation	FTEIDList	0..1	Shall include the F-TEID for the UPF endpoint of any additional NG-U transport bearers (see TS 38.413 [23] clause 9.3.4.1).	C
dLRANTunnelInformation	DLRANTunnelInformation	0..1	Shall include the RAN tunnel and QOS Flow information for the PDU Session (see TS 29.502 [16] clause 6.1.6.2.39 and TS 38.413 [23] clause 9.3.4.1). See Table 6.2.3-1D.	C

Table 6.2.3-1D: Payload for dLRANTunnelInformation field

Field name	Type	Cardinality	Description	M/C/O
dLQOSFlowTunnelInformation	QOSFlowTunnelInformation	0..1	Shall include the F-TEID NG-RAN endpoint of the NG-U transport bearer together with associated QoS flows (see TS 38.413 [23] clause 9.3.4.2 and TS 29.502 [16] clause 6.1.6.2.39).	C
additionalDLQOSFlowTunnelInformation	QOSFlowTunnelInformationList	0..1	Shall include the F-TEID NG-RAN endpoint of any additional NG-U transport bearers together with associated QoS flows (see TS 38.413 [23] clause 9.3.4.2 and TS 29.502 [16] clause 6.1.6.2.39).	C
redundantDLQOSFlowTunnelInformation	QOSFlowTunnelInformationList	0..1	Shall include the F-TEID NG-RAN endpoint of redundant NG-U transport bearers together with associated QoS flows (see TS 38.413 [23] clause 9.3.4.2 and TS 29.502 [16] clause 6.1.6.2.39).	C
additionalredundantDLQOSFlowTunnelInformation	QOSFlowTunnelInformationList	0..1	Shall include the F-TEID NG-RAN endpoint of any additional redundant NG-U transport bearers together with associated QoS flows (see TS 38.413 [23] clause 9.3.4.2 and TS 29.502 [16] clause 6.1.6.2.39).	C

Each PCC rule for traffic influence has the payload defined in Table 6.2.3-1E.

Table 6.2.3-1E: Payload of PCCRule for traffic influence

Field name	Description	M/C/O
pCCRuleID	Policy rule identifier. This IE is defined in TS 29.512 [89] table 5.6.2.6-1.	M
appld	Identifies an application (NOTE 1), if available. This IE is defined in TS 29.512 [89] table 5.6.2.6-1 (NOTE 1).	C
pFD	Packet flow description (PFD) associated with the appld, if available. It is defined in TS 29.551 [96] table 5.6.2.5-1 (NOTE 1).	C
flowInfos	A set of flow information, if available. A flow information is an Ethernet or IP flow packet filter information (NOTE 1). This IE is defined in TS 29.512 [89] table 5.6.2.6-1 (NOTE 1). FlowInfos may be IP flow or Ethernet flow. IP flow is specified in TS 29.214, section 5.3.8 [92]. Ethernet Flow is specified in TS 29.514 [91] table 5.6.2.17-1.	C
appReloc	Indicates that the application cannot be relocated once a location of the application is selected by the 5GC when it is included and set to "true". The default value is "false".	C
simConnInd	Indication of simultaneous connectivity temporarily maintained for the source and target PSA (PDU Session Anchor). If it is included and set to "true", temporary simultaneous connectivity should be kept. The default value "false" applies, if the IE is not present. This IE is defined in TS 29.512 [89] table 5.6.2.9-1.	C
simConnTerm	Indication of the minimum time interval to be considered for inactivity of the traffic routed via the source PSA during the edge re-location procedure. It may be included when the "simConnInd" attribute is set to true. This IE is defined in TS 29.512 [89] table 5.6.2.9-1.	C
maxAllowedUpLat	Indicates the target user plane latency in units of milliseconds used by SMF to decide whether edge relocation is needed to ensure that the user plane latency does not exceed the value. This IE is defined in TS 29.512 [89] table 5.6.2.9-1, if available.	C
routeToLocs	A set of traffic routes, if available. A traffic route provides information to route to/from a DNAI. This IE is defined in TS 29.512 [89] table 5.6.2.9-1 (NOTE 2).	C
trafficSteeringPolIdDL	Traffic steering policy for downlink traffic at the SMF, if available. This IE is defined in TS 29.512 [89] table 5.6.2.9-1 (NOTE 2).	C
trafficSteeringPolIdUL	Traffic steering policy for uplink traffic at the SMF, if available. This IE is defined in TS 29.512 [89] table 5.6.2.9-1 (NOTE 2).	C
deprecatedSourceDNAI	No longer used in present version of this specification	O
deprecatedTargetDNAI	No longer used in present version of this specification	O
deprecatedDNAIChangeType	No longer used in present version of this specification	O
deprecatedSourceUEIPAddress	No longer used in present version of this specification	O
deprecatedTargetUEIPAddress	No longer used in present version of this specification	O
eASIPReplacelInfos	Contains EAS IP replacement information for a Source and a Target EAS, if available. This IE is defined in TS 29.571 [17] table 5.4.4.79.	C
NOTE 1: Either appld/pFD or flowInfos shall be supplied.		
NOTE 2: TrafficSteeringPolIdDL attribute and/or trafficSteeringPolIdUL attribute and routeToLocs attribute are mutually exclusive.		

6.2.3.2.3 PDU session modification

The IRI-POI in the SMF shall generate an xIRI containing an SMFPDUSessionModification record when the IRI-POI present in the SMF detects that a single-access PDU session has been modified for the target UE. The IRI-POI present in the SMF shall generate the xIRI for the following events:

- For a non-roaming scenario, the SMF (or for a roaming scenario, V-SMF in the VPLMN for HR or SMF in the VPLMN for LBO), receives the N1 NAS message (via AMF) PDU SESSION MODIFICATION COMPLETE from the UE and the 5GSM state within the SMF is returned to PDU SESSION ACTIVE (see TS 24.501 [13] clauses 6.1.3.3, 6.3.2 and 6.4.2). This applies to the following two cases:
 - UE initiated PDU session modification (see TS 23.502 [4] clause 4.3.3.2).
 - Network initiated PDU session modification (see TS 23.502 [4] clause 4.3.3.2).
- For a non-roaming scenario, the SMF (or for a roaming scenario, V-SMF in the VPLMN for HR or SMF in the VPLMN for LBO), sends the N1 NAS message (via AMF) PDU SESSION ESTABLISHMENT ACCEPT to the

UE and the 5GSM state within the SMF remains in the PDU SESSION ACTIVE (see TS 24.501 [13] clause 6.1.3.3 and 6.4.1). This applies to the following case:

- Handover from one access type to another access type happens (e.g. 3GPP to non-3GPP); see TS 23.502 [4] clauses 4.9.2.1 and 4.9.2.2).
- For a non-roaming scenario, the SMF (or for a roaming scenario, V-SMF in the VPLMN for HR or SMF in the VPLMN for LBO), sends the Nsmf_PDUSession_UpdateSMContext response to the AMF when the PDU session modified or SM context is changed. In this case, the Nsmf_PDUSession_UpdateSMContext response may not have an embedded NAS message. This applies to the following case:
 - Handover scenarios (5G to 5G, see TS 23.502 [4] clauses 4.9.1.2 and 4.9.1.3).
- For a non-roaming scenario, the SMF (or for a roaming scenario, V-SMF in the VPLMN for HR or SMF in the VPLMN for LBO) receives the N4: PFCP Session Establishment Response when a PFCP session is established on a new UPF (or V-UPF in a roaming case) within the existing SM Context without a following Nsmf_PDUSession_Update_Context message being sent to the AMF. This applies to the following case:
 - Handover scenarios (5G to 5G, see TS 23.502 [4] clauses 4.9.1.2 and 4.9.1.3).
- For a non-roaming scenario, the SMF (or for a roaming scenario, V-SMF in the VPLMN for HR or SMF in the VPLMN for LBO) receives the N4: PFCP Session Modification Response when a new tunnel Identifier (local or remote) is added to the PDU session or removed from the PDU session without a following Nsmf_PDUSession_Update_Context message being sent to the AMF. This applies to the following case:
 - Handover scenarios (5G to 5G, see TS 23.502 [4] clauses 4.9.1.2 and 4.9.1.3).
- For a non-roaming scenario, the SMF (or for a roaming scenario, V-SMF in the VPLMN for HR or SMF in the VPLMN for LBO) receives the N4: PFCP Session Deletion Response when a PFCP session is deleted from an SM Context that remains active. This applies to the following case:
 - Handover scenarios (5G to 5G, see TS 23.502 [4] clauses 4.9.1.2 and 4.9.1.3).
- For a home-routed roaming scenario, the SMF in the HPLMN (i.e. H-SMF) receives the N16: Nsmf_PDU_Session_Update Response message with n1SmInfoFromUe IE containing the PDU SESSION MODIFICATION COMPLETE (see TS 29.502 [16] clauses 5.2.1, 5.2.2.8, 5.2.3, and 6.1.6.4). This applies to the following three cases:
 - UE initiated PDU session modification (see TS 23.502 [4] clause 4.3.3.3).
 - Network (VPLMN) initiated PDU session modification (see TS 23.502 [4] clause 4.3.3.3).
 - Network (HPLMN) initiated PDU session modification (see TS 23.502 [4] clause 4.3.3.3).
- For a home-routed roaming scenario, the SMF in the HPLMN (i.e. H-SMF) sends the N16: Nsmf_PDU_Session_Create Response message with n1SmInfoToUe IE containing the PDU SESSION ESTABLISHMENT ACCEPT (see TS 29.502 [16] clauses 5.2.1, 5.2.2.8, 5.2.3, and 6.1.6.4) while it had received a N16 Nsmf_PDU_Session_Create Request message with an existing PDU Session Id with access type being changed. This applies to the following case:
 - Handover from one access type to another access type happens (e.g. 3GPP to non-3GPP); see TS 23.502 [4] clauses 4.9.2.3 and 4.9.2.4) where the V-SMF is used for the PDU session on the new access type only.
- For a home-routed roaming scenario, the SMF in the HPLMN (i.e. H-SMF) sends the N16: Nsmf_PDU_Session_Update Response message with n1SmInfoToUe IE containing the PDU SESSION ESTABLISHMENT ACCEPT (see TS 29.502 [16]) while it had received a N16 Nsmf_PDU_Session_Update Request message with an existing PDU Session Id with access type being changed. This applies to the following case:
 - Handover from one access type to another access type happens (e.g. 3GPP to non-3GPP) where the same V-SMF is used for the PDU session on both access types.
- For a non-roaming scenario, SMF sends a Nsmf_EventExposure_Notify request to the NEF or AF for the target UE for the event "UP Path Change" related to a corresponding subscription from AF (see TS 29.508 [90] clause 4.2.2).

- For a non-roaming scenario, SMF sends a Nsmf_EventExposure_AppRelocationInfo response to the NEF or AF for the target UE in response to Nsmf_EventExposure_AppRelocationInfo request sent by NEF or AF to SMF (see TS 29.508 [90] clause 4.2.5).
- For a non-roaming scenario, SMF receives a Nnef_PFDManagement_Fetch response from the NEF for the target UE in response to Nnef_PFDManagement_Fetch request sent by SMF to NEF (see TS 29.551 [96] clause 4.2.2).

If the Npcf_SMPolicyControlUpdateNotify response sent to the PCF for the target UE in response to an Npcf_SMPolicyControlUpdateNotify request includes PCC rules in which the traffic control policy data contains either a routeToLocs IE or trafficSteeringPolIdDI IE and/or trafficSteeringPolIdUI IE, then the SMF shall include those PCC rules in the xIRI. These PCC rules correspond to policies that influence the target UE's traffic flows (see TS 29.513 [88] clause 5.5.3).

Table 6.2.3-2: Payload for SMFPDUSessionModification record

Field name	Type	Cardinality	Description	M/C/O
sUPI	SUPI	0..1	SUPI associated with the PDU session (e.g. as provided by the AMF in the associated Nsmf_PDU_Session_CreateSMContext service operation). Shall be present except for PEI-only unauthenticated emergency sessions.	C
sUPIUnauthenticated	SUPIUnauthenticatedIndication	0..1	Shall be present if a SUPI is present in the message and set to "true" if the SUPI was not authenticated, or "false" if it has been authenticated.	C
pEI	PEI	0..1	PEI associated with the PDU session, if available.	C
gPSI	GPSI	0..1	GPSI associated with the PDU session, if available.	C
sNSSAI	SNSSAI	0..1	Slice identifier associated with the PDU session, if available. See TS 23.003 [19] clause 28.4.2 and TS 23.501 [2] clause 5.15.2.	C
non3GPPAccessEndpoint	UEEndpointAddress	0..1	UE's local IP address used to reach the N3IWF, TNGF or TWIF, if available. IP addresses are given as 4 octets (for IPv4) or 16 octets (for IPv6) with the most significant octet first (network byte order).	C
location	Location	0..1	Location information provided by the AMF or present in the context at the SMF, if available.	C
requestType	FiveGSMRequestType	0..1	Type of request as described in TS 24.501 [13] clause 9.11.3.47, if available.	C
accessType	AccessType	0..1	Access type associated with the session (i.e. 3GPP or non-3GPP access) if provided by the AMF (see TS 24.501 [13] clause 9.11.2.1A).	C
rATType	RATType	0..1	RAT type associated with the access, if available. Values given as per TS 29.571 [17] clause 5.4.3.2.	C
pDUSessionID	PDUSessionID	0..1	PDU Session ID, see TS 24.501 [13] clause 9.4. Shall be provided. This parameter is conditional only for backwards compatibility.	C
ePS5GSCombInfo	EPS5GSCombInfo	0..1	Provides detailed information about PDN Connections associated with the reported PDU Session. Shall be included when the AMF has selected a SMF+PGW-C to serve the PDU session. This parameter may include the additional IEs in Table 6.2.3-1A, if available.	C
uEEndpoint	UEEndpointAddress	0..1	UE IP address(es) assigned to the PDU Session, if available (see TS 29.244 [15] clause 5.21).	C
servingNetwork	SMFServingNetwork	0..1	Shall be present if this IE is in the SMContextUpdateData, HsmfUpdateData or message sent to the SMF or the PDU Session Context or SM Context at the SMF (see TS 29.502 [16] clauses 6.1.6.2.3, 6.1.6.2.11 and 6.1.6.2.39).	C
handoverState	HandoverState	0..1	Indicates whether the PDU Session Modification being reported was due to a handover. Shall be present if this IE is in the SMContextUpdatedData or sent by the SMF (see TS 29.502 [16] clause 6.1.6.2.3).	C
gTPTunnelInfo	GTPTunnelInfo	1	Contains the information for the User Plane GTP Tunnels for the PDU Session (see TS 29.502 [16] clauses 6.1.6.2.2, 6.1.6.2.9 and 6.1.6.2.39). See Table 6.2.3-1B.	M

Field name	Type	Cardinality	Description	M/C/O
pCCRules	PCCRuleSet	0..1	Set of PCC rules related to traffic influence. Each PCC rule influences the routing of a given traffic flow. If several flows are concerned, then several PCC rules shall be handled by the SMF. Traffic influence policies are originated by an AF. PCF translates these rules into PCC rules for traffic influence, if available. The payload of a PCC rule for traffic influence is defined in Table 6.2.3-1E.	C
ePSPDNConnectionModification	EPSPDNConnectionModification	0..1	Provides details about PDN Connections when the SMF PDUSessionModification xIRI message is used to report PDN Connection Modification. See Table 6.3.3-8 and clause 6.3.3.2.3.	C
uPPathChange	UPPathChange	0..1	Notification of the UPPathChange event. This IE is defined in TS 29.508 [90], if available, see table 5.6.2.5-1.	C
pFDDataForApp	PFDDataForApp	0..1	Represents the packet flow descriptions (PFDs) for an application identifier (AppId), if available. This IE is defined in TS 29.551 [96] table 5.6.2.2-1.	C
satelliteBackhaulCategory	SBIType	0..1	Indicates that a satellite backhaul is used towards 5G AN and the corresponding backhaul category, if available. Encoded according to TS 29.571 [17] clause 5.4.3.39. The SBIReference for this parameter shall be populated with 'TS29571_CommonData.yaml#/components/schemas/SatelliteBackhaulCategory'.	C
gEOSatelliteID	GEOSatelliteID	0..1	Indicates the satellite ID if satellite backhaul category is GEO, if available. Encoded according to TS 29.571 [17] clause 5.4.2.	C

Table 6.2.3-2A: Payload of UPPathChange

Field name	Type	Cardinality	Description	M/C/O
sourceDNAI	DNAI	0..1	Source DNAI, if the DNAI has changed. DNAI represents the location of applications towards which the traffic routing should apply, if available.	C
targetDNAI	DNAI	0..1	Target DNAI if the DNAI has changed.	C
dNAIChangeType	DNAIChangeType	0..1	Type of a DNAI change. Possible values are "early", "late" and "earlyAndLate" notification of UP path reconfiguration, if available.	C
sourceUEIPAddress	IPAddress	0..1	The IPv4 Address of the served UE for the source DNAI, if available.	C
targetUEIPAddress	IPAddress	0..1	The IPv4 Address of the served UE for the target DNAI, if available.	C
sourceTrafficRouting	RouteToLocation	0..1	N6 traffic routing information for the source DNAI, if available.	C
targetTrafficRouting	RouteToLocation	0..1	N6 traffic routing information for the target DNAI, if available.	C
macAddress	MACAddress	0..1	The MAC address of the served UE, if available.	C

Table 6.2.3-2B: Payload of PFDDataForApp

Field name	Description	M/C/O
appId	Identifier of an application.	M
pFDs	PFDs for an application identifier, if available. PFD is defined in TS 29.551 [96] table 5.6.2.5-1.	C

Table 6.2.3-2C: Payload of PFD

Field name	Description	M/C/O
pFDId	PFD identifier.	M
pFDflowDescription	Represents a set of 3-tuple with protocol, server IP address and server port for UL/DL application traffic, if available.	C
uRLs	Represents a set of URL, if available.	C
domainNames	Represents a set of FQDN, if available.	C
dnProtocol	Indicates the additional protocol and protocol field for domain names to be matched, if available. This IE is defined in 29.122 [63] table 5.14.2.2.4-1.	C

6.2.3.2.4 PDU session release

The IRI-POI in the SMF shall generate an xIRI containing an SMFPDUSessionRelease record when the IRI-POI present in the SMF detects that a single-access PDU session has been released. The IRI-POI present in the SMF shall generate the xIRI for the following events:

- For a non-roaming scenario, the SMF (or for a roaming scenario, V-SMF in the VPLMN for HR or SMF in the VPLMN for LBO), receives the N1 NAS message (via AMF) PDU SESSION RELEASE COMPLETE from the UE and the 5GSM state within the SMF is changed to PDU SESSION INACTIVE (see TS 24.501 [13] clauses 6.1.3.3 and 6.4.3). This applies to the following two cases:
 - UE initiated PDU session release (see TS 23.502 [4] clause 4.3.4.2).
 - Network initiated PDU session release (see TS 23.502 [4] clause 4.3.4.2).
- For a non-roaming scenario, the SMF (or for a roaming scenario, V-SMF in the VPLMN for HR or SMF in the VPLMN for LBO), receives the N1 NAS message (via AMF) STATUS from the UE with the cause values listed in TS 24.501 [13] clause 6.5.3 and the 5GSM state within the SMF is changed to PDU SESSION INACTIVE. One of the cases where this applies is of UE finding that the PDU session ID received in a PDU SESSION MODIFICATION COMMAND is invalid.
- For a non-roaming scenario, the SMF (or for a roaming scenario, the V-SMF in the VPLMN for HR or SMF in the VPLMN for LBO) sends the Nsmf_PDUSession_ReleaseSMContext Response to the AMF (see TS 29.502 [16] clause 5.2.2.4). This applies to the case where the PDU session is released without any N1 or N2 messages (e.g. AMF initiates the PDU session release when it finds that the PDU session is no longer associated with the UE, see TS 23.502 [4] clause 4.2.2.4).
- For a non-roaming scenario, the SMF (or for a roaming scenarios, V-SMF in the VPLMN for HR or SMF in the VPLMN for LBO) sends Nsmf_PDUSession_SMContextStatusNotify (see TS 29.502 [16] clause 6.1.6.2.8) with RELEASED in the ResourceStatus IE (see TS 29.502 [16] clause 6.1.6.3.1) to the AMF. This applies to the case where PDU session release is neither initiated by a NAS message nor by Nsmf_PDUSessionReleaseSMContext Request message (see TS 29.502 [16] clause 5.2.2.5).
- For a home-routed roaming scenario, the SMF in the HPLMN (i.e. H-SMF) receives the N16: Nsmf_PDU_Session_Update Response message with n1SmInfoFromUe IE containing the PDU SESSION RELEASE COMPLETE (see TS 29.502 [16] clauses 5.2.1, 5.2.2.8, 5.2.3, and 6.1.6.4) from the V-SMF. This applies to the following three cases:
 - UE initiated PDU session release (see TS 23.502 [4] clause 4.3.4.3).
 - Network (VPLMN) initiated PDU session release (see TS 23.502 [4] clause 4.3.4.3).
 - Network (HPLMN) initiated PDU session release (see TS 23.502 [4] clause 4.3.4.3).
- For a home-routed roaming scenario, H-SMF in the HPLMN sends the Nsmf_PDUSession_Release Response to the V-SMF (see TS 29.502 [16] clause 5.2.2.9). This applies to the case where the PDU session is released without any N1 or N2 messages (e.g. AMF in the VPLMN initiates the PDU session release when it finds that the PDU session is no longer associated with the UE, see TS 23.502 [4] clause 4.3.4.3).
- For a home-routed roaming scenario, H-SMF in the HPLMN sends a Nsmf_PDUSession_StatusNotify (see TS 29.502, clause 6.1.6.2.17) with RELEASED in the ResourceStatus IE (see TS 29.502 [16] clause 6.1.6.3.1) to the V-SMF. This applies to the case where PDU session release is neither initiated by a NAS message nor by Nsmf_PDUSessionRelease Request message (see TS 29.502 [16] clause 5.2.2.9).

Table 6.2.3-3: Payload for SMF PDUSessionRelease record

Field name	Type	Cardinality	Description	M/C /O
sUPI	SUPI	1	SUPI associated with the PDU session.	M
pEI	PEI	0..1	PEI associated with the PDU session if available.	C
gPSI	GPSI	0..1	GPSI associated with the PDU session if available.	C
pDUSessionID	PDUSessionID	1	PDU Session ID as assigned by the AMF.	M
timeOfFirstPacket	Timestamp	0..1	Time of first packet for the PDU session.	C
timeOfLastPacket	Timestamp	0..1	Time of last packet for the PDU session.	C
uplinkVolume	INTEGER	0..1	Number of uplink octets for the PDU session.	C
downlinkVolume	INTEGER	0..1	Number of downlink octets for the PDU session.	C
location	Location	0..1	Location information, if available.	C
cause	SMFErrorCodes	0..1	Indicates the NF Service Consumer cause for the requested PDU session release (see TS 29.502 [16] clause 6.1.6.3.8 for enumerated cause information). Include if known.	C
ePS5GSCombolInfo	EPS5GSCombolInfo	0..1	Provides detailed information about PDN Connections associated with the reported PDU Session. This parameter may include the additional IEs in Table 6.2.3-1A, when available.	C
nGAPCause	NGAPCauseInt	0..1	Indicates the NGAP cause for the requested SM context release (see TS 29.502 [16] clause 6.1.6.2.6). Shall be derived as described in TS 29.571 [17] clause 5.4.4.12.	C
fiveGMMCause	FiveGMMCause	0..1	Indicates the 5GMM cause for a PDU Session released due to any 5GMM failure (see 29.502 [16] clause 6.1.6.2.6). Shall be sent as an integer derived as described in TS 29.571 [17] clause 5.4.2.	C
pCCRuleIDs	PCCRuleIDSet	0..1	PCC rule IDs of the PCC rules related to traffic influence that are associated to the PDU session and active at the time the PDU session is released.	C
ePSPDNConnectionRelease	EPSPDNConnectionRelease	0..1	Provides details about PDN Connections when the SMF PDUSessionRelease xIRI message is used to report PDN Connection Release. See Table 6.3.3-13 and clause 6.3.3.2.4.	C

6.2.3.2.5 Start of interception with an established PDU session

The IRI-POI in the SMF shall generate an xIRI containing an SMFStartOfInterceptionWithEstablishedPDUSession record when the IRI-POI present in the SMF detects that a single-access PDU session has already been established for the target UE when interception starts.

In a non-roaming scenario, the IRI-POI in the SMF (or in a roaming scenario, the IRI-POI in the V-SMF in the VPLMN for HR or SMF in the VPLMN for LBO) shall generate the xIRI containing the SMFStartOfInterceptionWithEstablishedPDUSession record when it detects that a new interception for a UE is activated (i.e. provisioned by the LIPF) for the following case:

- The 5GSM state within the SMF for that UE is 5GSM: PDU SESSION ACTIVE or PDU SESSION MODIFICATION PENDING.

NOTE: The above trigger happens when the SMF (V-SMF in VPLMN for HR or SMF in the VPLMN for LBO) had not sent an N1 NAS message PDU SESSION RELEASE COMMAND to the UE for a PDU session and the SMF (V-SMF in the VPLMN for HR or SMF in the VPLMN for LBO) had previously sent an N1 NAS message PDU SESSION ESTABLISHMENT ACCEPT to that UE for the same PDU session.

In a home-routed roaming scenario, the IRI-POI in the H-SMF shall generate the xIRI containing the SMFStartOfInterceptionWithEstablishedPDUSession record when it detects that a new interception for a UE is activated (i.e. provisioned by the LIPF) for the following case:

- The H-SMF had not sent a Nsmf_PDU_Session_Update Request (n1SmInfoToUe: PDU SESSION RELEASE COMMAND) to the V-SMF for a PDU session and H-SMF had previously sent a Nsmf_PDU_Session_Create Response (n1SmInfoToUE: PDU SESSION ESTABLISHMENT ACCEPT) to the V-SMF for that PDU session.

The IRI-POI in the SMF shall generate the xIRI containing the SMFStartOfInterceptionWithEstablishedPDUSession record for each of the PDU sessions (that meets the above criteria) associated with the newly identified target UEs.

Table 6.2.3-4: Payload for SMFStartOfInterceptionWithEstablishedPDUSession record

Field name	Type	Cardinality	Description	M/C/O
sUPI	SUPI	0..1	SUPI associated with the PDU session (e.g. as provided by the AMF in the associated Nsmf_PDU_Session_CreateSMContext service operation). Shall be present except for PEI-only unauthenticated emergency sessions.	C
sUPIUnauthenticated	SUPIUnauthenticatedIndication	0..1	Shall be present if a SUPI is present in the message and set to "true" if the SUPI has not been authenticated, or "false" if it has been authenticated.	C
pEI	PEI	0..1	PEI associated with the PDU session, if available.	C
gPSI	GPSI	0..1	GPSI associated with the PDU session, if available.	C
pDUSessionID	PDUSESSIONID	1	PDU Session ID as assigned by the AMF, as defined in TS 24.007 [14] clause 11.2.3.1b.	M
gTPTunnelID	FTEID	1	Contains the F-TEID identifying the UPF endpoint of the GTP tunnel used to encapsulate the traffic derived from the UL NG-U UP TNL Information (see TS 38.413 clause 9.3.4.1), as defined in TS 29.244 [15] clause 8.2.3. Non-GTP encapsulation is for further study.	M
pDUSessionType	PDUSESSIONTYPE	1	Identifies selected PDU session type, see TS 24.501 [13] clause 9.11.4.11.	M
sNSSAI	SNSSAI	0..1	Slice identifier associated with the PDU session, if available. See TS 23.003 [19] clause 28.4.2 and TS 23.501 [2] clause 5.15.2.	C
uEEndpoint	SEQUENCE OF UEEndpointAddresses	0..N	UE endpoint address(es) if available. IP addresses are given as 4 octets (for IPv4) or 16 octets (for IPv6) with the most significant octet first (network byte order). MAC addresses are given as 6 octets with the most significant octet first (see TS 29.244 [15] clause 5.21).	C
non3GPPAccessEndpoint	UEEndpointAddresses	0..1	UE's local IP address used to reach the N3IWF, TNGF or TWIF, if available. IP addresses are given as 4 octets (for IPv4) or 16 octets (for IPv6) with the most significant octet first (network byte order).	C
location	Location	0..1	Location information provided by the AMF at session establishment or present in the context at the SMF, if available.	C
dNN	DNN	1	Data Network Name associated with the target traffic, as defined in TS 23.003 [19] clause 9A and described in TS 23.502 [4] clause 4.3.2.2. Shall be given in dotted-label presentation format as described in TS 23.003 [19] clause 9.1.	M
aMFID	AMFID	0..1	Identifier of the AMF associated with the target UE, as defined in TS 23.003 [19] clause 2.10.1, if available.	C
hSMFURI	HSMFURI	0..1	URI of the Nsmf_PDUSession service of the selected H-SMF, if available. See TS 29.502 [16] clause 6.1.6.2.2.	C
requestType	FiveGSMRequestType	1	Type of request as initially set within the PDU SESSION ESTABLISHMENT as described in TS 24.501 [13] clause 9.11.3.47. If the initial value is no longer available the request type shall be set to "existing PDU session".	M
accessType	AccessType	0..1	Access type associated with the session (i.e. 3GPP or non-3GPP access) if provided by the AMF (see TS 24.501 [13] clause 9.11.2.1A).	C
rATType	RATType	0..1	RAT type associated with the access if provided by the AMF as part of session establishment (see TS 23.502 [4] clause 4.3.2). Values given as per TS 29.571 [17] clause 5.4.3.2.	C
sMPDUDNRequest	SMPDUDNRequest	0..1	Contents of the SM PDU DN request container, if available, as described in TS 24.501 [13] clause 9.11.4.15.	C
timeOfSessionEstablishment	Timestamp	0..1	Time at which the session establishment occurred, if available. Shall be given qualified with time zone information (i.e. as UTC or offset from UTC, not as local time).	C
ePS5GSComboInfo	EPS5GSComboInfo	0..1	Provides detailed information about PDN Connections associated with the reported PDU Session. Shall be included when the AMF has selected a SMF+PGW-C to serve the PDU session. This parameter may include the additional IEs in table 6.2.3-1A, if available.	C

Field name	Type	Cardinality	Description	M/C/O
uEESPdNConnection	UEESPdNConnection	0..1	This IE shall be present, if available, during an EPS to 5GS Idle mode mobility or handover using the N26 interface. If present, it shall contain the EPS bearer context(s) information present in the uEESPdNConnection parameter of the intercepted SmContextCreateData message. (see TS 29.502 [16] clause 6.1.6.2.2).	C
servingNetwork	SMFServingNetwork	0..1	Indicates the serving core network operator PLMN, and for an SNPN, the NID. Shall be present if present in the PDU Session Context or SM Context at the SMF (see TS 29.502 [16] clause 6.1.6.2.39).	C
gTPTunnelInfo	GTPTunnelInfo	1	Contains the information for the User Plane GTP Tunnels for the PDU Session (see TS 29.502 [16] clauses 6.1.6.2.2, 6.1.6.2.9 and 6.1.6.2.39). See Table 6.2.3-1B.	M
pCCRules	PCCRuleSet	0..1	Set of PCC rules related to traffic influence. Each PCC rule influences the routing of a given traffic flow. If several flows are concerned, then several PCC rules shall be handled by the SMF. Traffic influence policies are originated by an AF. PCF translates these rules into PCC rules for traffic influence. The payload of a PCC rule for traffic influence is defined in Table 6.2.3-1E.	C
ePSStartOfInterceptionWithEstablishedPDNConnection	EPSSStartOfInterceptionWithEstablishedPDNConnection	0..1	Provides details about PDN Connections when the SMFStartOfInterceptionWithEstablishedPDUSession xIRI message is used to report the start of interception on a target who already has existing PDN Connections. See Table 6.3.3-14 and clause 6.3.3.2.5.	C
pFDDataForApps	PFDDDataForApps	0..1	Represents a set of associations between application identifier and packet flow descriptions (PFDs), if available.	C
satelliteBackhaulCategory	SBIDType	0..1	Indicates that a satellite backhaul is used towards 5G AN and the corresponding backhaul category, if available. Encoded according to TS 29.571 [17] clause 5.4.3.39. The SBIDReference for this parameter shall be populated with 'TS29571_CommonData.yaml#/components/schemas/SatelliteBackhaulCategory'.	C
gEOSatelliteID	GEOSatelliteID	0..1	Indicates the satellite ID if satellite backhaul category is GEO, if available. Encoded according to TS 29.571 [17] clause 5.4.2.	C

The IRI-POI present in the SMF generating an xIRI containing a SMFStartOfInterceptionWithEstablishedPDUSession record shall set the Payload Direction field in the PDU header to *not applicable* (Direction Value 5, see ETSI TS 103 221-2 [8] clause 5.2.6).

6.2.3.2.6 SMF unsuccessful procedure

The IRI-POI in the SMF shall generate an xIRI containing an SMFUnsuccessfulProcedure record when the IRI-POI present in the SMF detects an unsuccessful procedure or error condition for a UE matching one of the target identifiers provided via LI_X1.

Accordingly, the IRI-POI in the SMF generates the xIRI when one of the following events are detected:

- SMF sends a PDU SESSION ESTABLISHMENT REJECT message to the target UE.
- SMF sends a PDU SESSION MODIFICATION REJECT message to the target UE.
- SMF sends a PDU SESSION RELEASE REJECT message to the target UE.
- SMF receives a PDU SESSION MODIFICATION COMMAND REJECT message from the target UE.
- An ongoing SM procedure is aborted at the SMF, due to e.g. a 5GSM STATUS message sent from or received by the SMF.

Table 6.2.3-5: Payload for SMFUnsuccessfulProcedure record

Field name	Type	Cardinality	Description	M/C/O
failedProcedureType	SMFFailedProcedureType	1	Specifies the procedure which failed or is aborted at the SMF.	M
failureCause	FiveGSMCause	1	Provides the value of the 5GSM cause, see TS 24.501 [13] clause 9.11.4.2. In case the procedure is aborted due to a 5GSM STATUS message, the 5GSM cause is the one included in the 5GSM status message.	M
initiator	Initiator	1	Specifies whether the network (SMF) or the UE is initiating the rejection or indicating the failure.	M
requestedSlice	NSSAI	0..1	Slice requested for the procedure, if available, given as a NSSAI (a list of S-NSSAI values as described in TS 24.501 [13] clause 9.11.3.37).	C
sUPI	SUPI	0..1	SUPI associated with the procedure, if available (see NOTE).	C
sUPIUnauthenticated	SUPIUnauthenticatedIndication	0..1	Shall be present if a SUPI is present in the message and set to "true" if the SUPI has not been authenticated, or "false" if it has been authenticated.	C
pEI	PEI	0..1	PEI used in the procedure, if available (see NOTE).	C
gPSI	GPSI	0..1	GPSI used in the procedure, if available (see NOTE).	C
pDUSessionID	PDUSessionID	0..1	PDU Session ID See clause 9.4 of TS 24.501 [13], if available.	C
uEEndpoint	SEQUENCE OF UEEndpointAddress	0..MAX	UE endpoint address(es) if available.	C
non3GPPAccessEndpoint	UEEndpointAddress	0..1	UE's local IP address used to reach the N3IWF, TNGF or TWIF, if available.	C
dNN	DNN	0..1	Data Network Name associated with the target traffic, as defined in TS 23.003 [19] clause 9A and described in TS 23.501 [2] clause 4.3.2.2, if available. Shall be given in dotted-label presentation format as described in TS 23.003 [19] clause 9.1.	C
aMFID	AMFID	0..1	Identifier of the AMF associated with the target UE, as defined in TS 23.003 [19] clause 2.10.1 when available.	C
hSMFURI	HSMFURI	0..1	URI of the Nsmf_PDUSession service of the selected H-SMF, if available. See TS 29.502 [16] clause 6.1.6.2.2.	C
requestType	FiveGSMRequestType	0..1	Type of request as described in TS 24.501 [13] clause 9.11.3.47, if available. Otherwise depending on the REJECT event the following request type shall be reported: PDU SESSION ESTABLISHMENT REJECT: The request type shall be set to the one reported within the PDU SESSION ESTABLISHMENT or if there hasn't been one reported or is no longer available it should be set to "initial request". PDU SESSION MODIFICATION REJECT: "modification request". PDU SESSION RELEASE REJECT: no request type shall be set. PDU SESSION MODIFICATION COMMAND REJECT: "modification request".	C
accessType	AccessType	0..1	Access type associated with the session (i.e. 3GPP or non-3GPP access) if provided by the AMF (see TS 24.501 [13] clause 9.11.2.1A).	C
rATType	RATType	0..1	RAT Type associated with the access if provided by the AMF as part of session establishment (see TS 23.502 [4] clause 4.3.2). Values given as per TS 29.571 [17] clause 5.4.3.2.	C
sMPDUDNRequest	SMPDUDNRequest	0..1	Contents of the SM PDU DN Request container, if available, as described in TS 24.501 [13] clause 9.11.4.15.	C
location	Location	0..1	Location information provided by the AMF or present in the context at the SMF, if available.	C
NOTE: At least one identity shall be provided, the others shall be provided if available.				

6.2.3.2.7 MA PDU sessions

6.2.3.2.7.1 General

In the present document, an MA PDU session will include two general types of PDU sessions as defined below:

- MA-Confirmed: This is an MA PDU session where the UE signals Upgrade Allowed to MA and the network immediately upgrades the session to an MA PDU session or the UE explicitly requests an MA PDU session (using a Request Type of MA PDU).
- MA-Upgrade-Allowed: This is a PDU session where the UE indicated that upgrade to an MA PDU session is allowed, but the network does not immediately confirm the upgrade. The network may at some later point upgrade the session to an MA PDU session.

NOTE: The above terms are not defined or used in other 3GPP Stage 2 or Stage 3 specifications, but have been introduced here to clarify and distinguish LI event reporting for the respective situations.

An MA-Confirmed MA PDU session may be established over a single access or over multiple accesses. The establishment over multiple accesses may occur concurrently or may occur at different points in time.

An MA-Upgrade-Allowed MA PDU session is established over a single access and nearly all aspects appears to be an ordinary non-MA PDU session with the key difference that the network may upgrade the session to an MA-confirmed MA PDU session.

6.2.3.2.7.2 MA PDU session establishment

The IRI-POI in the SMF (or for a roaming scenario, V-SMF in the VPLMN for HR or SMF in the VPLMN for LBO) shall generate an xIRI containing an SMFMAPDUSessionEstablishment record when the IRI-POI present in the SMF detects that a PDU session has been established for the target UE that is an MA PDU session (Request Type set to MA PDU session or upgraded at establishment), or where the upgrade allowed parameter is set to upgrade allowed and session is established as an ordinary PDU session (not upgraded at establishment, but may occur later on). The IRI-POI present in the SMF shall generate the xIRI for the following events:

- For a non-roaming scenario, the SMF sends the N1 NAS message (via AMF) PDU SESSION ESTABLISHMENT ACCEPT to the UE for a new PDU session and the 5G Session Management (5GSM) state within the SMF is changed to PDU SESSION ACTIVE (see TS 24.501 [13] clause 6.1.3.3 and 6.4.1) in response to a PDU SESSION ESTABLISHMENT REQUEST received along with:
 - PDU Session ID which does not identify an existing PDU session, and
 - Request Type = MA PDU request, or
 - Request Type = initial request and MA PDU session information set to "MA PDU session network upgrade is allowed", with either upgrade occurring at establishment or upgrade does not occur at establishment but may occur later.
- For a home-routed roaming scenario, the SMF in the HPLMN (i.e. H-SMF) sends the N16: Nsmf_PDU_Session_Create Response message with n1SmInfoToUe IE containing the PDU SESSION ESTABLISHMENT ACCEPT (see TS 29.502 [16] clauses 5.2.1, 5.2.2.7, 5.2.3, and 6.1.6) for a new PDU session in response to a PDU SESSION ESTABLISHMENT REQUEST received along with:
 - PDU Session ID which does not identify an existing PDU session, and
 - Request Type = MA PDU request, or
 - Request Type = initial request and MA PDU session information set to "MA PDU session network upgrade is allowed", with either upgrade occurring at establishment or upgrade does not occur at establishment but may occur later.

If the Npcf_SMPolicyControl_Create response received from the PCF for the target UE in response to Npcf_SMPolicyControl_Create request includes PCC rules in which the traffic control policy data contains either a routeToLocs IE or trafficSteeringPolIdDI IE and/or trafficSteeringPolIdUI IE, then the SMF shall include those PCC rules in the xIRI. These PCC rules correspond to policies that influence the target UE's traffic flows (see TS 29.513 [88] clause 5.5.3).

Table 6.2.3-5A: Payload for SMFMAPDUSessionEstablishment record

Field name	Type	Cardinality	Description	M/C/O
sUPI	SUPI	0..1	SUPI associated with the PDU session (e.g. as provided by the AMF in the associated Nsmf_PDU_Session_CreateSMContext service operation). Shall be present except for PEI-only unauthenticated emergency sessions (see NOTE).	C
sUPIUnauthenticated	SUPIUnauthenticatedIndication	0..1	Shall be present if a SUPI is present in the message and set to "true" if the SUPI has not been authenticated, or "false" if it has been authenticated.	C
pEI	PEI	0..1	PEI associated with the PDU session, if available (see NOTE).	C
gPSI	GPSI	0..1	GPSI associated with the PDU session, if available (see NOTE).	C
pDUSessionID	PDUSessionID	1	PDU Session ID See clause 9.4 of TS 24.501 [13]. Identifies a new PDU session.	M
pDUSessionType	PDUSessionType	1	Identifies selected PDU session type, see TS 24.501 [13] clause 9.11.4.11.	M
accessInfo	SEQUENCE OF AccessInfo	1..MAX	Identifies the access(es) associated with the PDU session including the information for each specific access (see table 6.2.3-5B).	M
sNSSAI	SNSSAI	0..1	Slice identifiers associated with the PDU session, if available. See TS 23.003 [19] clause 28.4.2 and TS 23.501 [2] clause 5.15.2.	C
uEEndpoint	SEQUENCE OF UEEndpointAddress	0..MAX	UE endpoint address(es) assigned to the PDU Session if available (see TS 29.244 [15] clause 5.21).	C
location	Location	0..1	Location information provided by the AMF or present in the context at the SMF, if available.	C
dNN	DNN	1	Data Network Name requested by the target UE, as defined in TS 23.003 [19] clause 9A and described in TS 23.502 [4] clause 4.3.2.2. Shall be given in dotted-label presentation format as described in TS 23.003 [19] clause 9.1.	M
aMFID	AMFID	0..1	Identifier of the AMF associated with the target UE, as defined in TS 23.003 [19] clause 2.10.1 if available.	C
hSMFURI	HSMFURI	0..1	URI of the Nsmf_PDU_Session service of the selected H-SMF, if available. See TS 29.502 [16] clause 6.1.6.2.2.	C
requestType	FiveGSMRequestType	1	Type of request as described in TS 24.501 [13] clause 9.11.3.47 provided within the Nsmf_PDU_Session_CreateSMContext Request (TS 29.502 [16]) message shall be reported. In the case where the network does not provide a request type value for a MA PDU session and the network does support MA PDU sessions, the request type shall be set to "MA PDU request" according to TS 24.501 [13] clause 6.4.1.2.	M
sMPDUDNRequest	SMPDUDNRequest	0..1	Contents of the SM PDU DN Request container, if available, as described in TS 24.501 [13] clause 9.11.4.15.	C
servingNetwork	SMFServingNetwork	1	PLMN ID of the serving core network operator, and, for a Non-Public Network (NPN), the NID that together with the PLMN ID identifies the NPN.	M
oldPDUSessionID	PDUSessionID	0..1	The old PDU Session ID received from the UE. See TS 23.502 [4] clauses 4.3.2.2.1 and 4.3.5.2 and TS 24.501 [13] clause 6.4.1.2. Shall be present if this IE is in the SMContextCreateData or PDUSessionCreateData message sent to the SMF or the PDU Session Context or SM Context at the SMF (see TS 29.502 [16] clauses 6.1.6.2.2, 6.1.6.2.9 and 6.1.6.2.39).	C
maUpgradeIndication	SMFMAUpgradeIndication	0..1	Indicates whether the PDU session is allowed to be upgraded to MA-Confirmed MA PDU session (see TS 23.502 [4] clause 4.22.3). Include if known.	C
ePSPDNCnxInfo	SMFEPSPDNCnxInfo	0..1	Indicates if the PDU session may be moved to EPS during its lifetime (see TS 29.502 [16] clause 6.1.6.2.31). Include if known.	C

Field name	Type	Cardinality	Description	M/C/O
mAAcceptedIndication	SMFMAAcceptedIndication	1	Indicates that a request to establish an MA PDU session was accepted or if a single access PDU session request was upgraded into a MA PDU session (see TS 23.502 [4] clauses 4.22.2 and 4.22.3). It shall be set as follows: - true: MA-Confirmed MA PDU session was established - false: single access MA-Upgrade-Allowed MA PDU session was established that may be upgraded to an MA-Confirmed MA PDU session.	M
aTSSSContainer	ATSSSContainer	0..1	Identifies the steering, switching, and splitting features for the MA-Confirmed MA PDU session. Also indicates whether MPTCP or ATSSS-LL is to be used for ATSSS. See TS 24.501[13] clause 9.11.4.22.	C
uEESPDPNConnection	UEESPDPNConnection	0..1	This IE shall be present, if available, during an EPS to 5GS Idle mode mobility or handover using the N26 interface. If present, it shall contain the EPS bearer context(s) information present in the uEESPDPNConnection parameter of the intercepted SmContextCreateData message. (see TS 29.502 [16] clause 6.1.6.2.2).	C
ePS5GSComboInfo	EPS5GSComboInfo	0..1	Provides detailed information about PDN Connections and PDU Sessions during EPS to 5GS idle mode mobility or handover using the N26 interface. Shall be included if the AMF has selected a SMF+PGW-C to serve the PDU session. This parameter shall include the additional IEs in table 6.2.3-1A, if present.	C
selectedDNN	DNN	0..1	Shall be present if a DNN other than the UE requested DNN is selected for the PDU Session. Shall be given in dotted-label presentation format as described in TS 23.003 [19] clause 9.1.	C
handoverState	HandoverState	0..1	Indicates whether the PDU Session Establishment being reported was due to a handover. Shall be present if this IE is in the SMContextCreatedData sent by the SMF (see TS 29.502 [16] clause 6.1.6.2.3).	C
pCCRules	PCCRuleSet	0..1	Set of PCC rules related to traffic influence. Each PCC rule influences the routing of a given traffic flow. If several flows are concerned, then several PCC rules shall be handled by the SMF. Traffic influence policies are originated by an AF. PCF translates these rules into PCC rules for traffic influence. The payload of a PCC rule for traffic influence is defined in table 6.2.3-1E.	C
ePSPDNConnectionEstablishment	EPSPDNConnectionEstablishment	0..1	Provides details about PDN Connections when the SMFMAPDUSessionEstablishment xIRI message is used to report PDN Connection establishment. See table 6.3.3-1 and clause 6.3.3.2.2.	C
NOTE: At least one of the SUPI, PEI or GPSI fields shall be present.				

Table 6.2.3-5B: Contents of Access Info parameter

Field name	Type	Cardinality	Description	M/C/O
accessType	AccessType	1	Access type associated with the session (i.e. 3GPP or non-3GPP access) as provided by the AMF (see TS 24.501 [13] clause 9.11.2.1A).	M
rATType	RATType	0..1	RAT Type associated with the access as provided by the AMF as part of session establishment (see TS 23.502 [4] clause 4.3.2). Values given as per TS 29.571 [17] clause 5.4.3.2.	C
gTPTunnelID	FTEID	1	Contains the F-TEID identifying the GTP tunnel used to encapsulate the traffic, as defined in TS 29.244 [15] clause 8.2.3. Non-GTP encapsulation is for further study.	M
non3GPPAccessEndpoint	UEEndpointAddress	0..1	UE's local IP address used to reach the N3IWF, TNGF or TWIF, if available. IP addresses are given as 4 octets (for IPv4) or 16 octets (for IPv6) with the most significant octet first (network byte order).	C
establishmentStatus	EstablishmentStatus	1	Indicates whether the access type is established or released.	M
aNTypeToReactivate	AccessType	0..1	Indicates the Access Network Type for which the UP connection is requested to be re-activated, for an MA PDU session. Applicable to session modification reporting.	C
gTPTunnelInfo	GTPTunnelInfo	1	Contains the information for the User Plane GTP Tunnels for the PDU Session (see TS 29.502 [16] clauses 6.1.6.2.2, 6.1.6.2.9 and 6.1.6.2.39). See Table 6.2.3-1B.	M
satelliteBackhaulCategory	SBType	0..1	Indicates that a satellite backhaul is used towards 5G AN and the corresponding backhaul category, if available. Encoded according to TS 29.571 [17] clause 5.4.3.39. The SBReference for this parameter shall be populated with 'TS29571_CommonData.yaml#/components/schemas/SatelliteBackhaulCategory'.	C
gEOSatelliteID	GEOSatelliteID	0..1	Indicates the satellite ID if satellite backhaul category is GEO, if available. Encoded according to TS 29.571 [17] clause 5.4.2.	C

6.2.3.2.7.3 MA PDU session modification

The IRI-POI in the SMF shall generate an xIRI containing an SMFMAPDUSessionModification record when the IRI-POI present in the SMF detects that an MA PDU session has been modified for the target UE. The IRI-POI present in the SMF shall generate the xIRI for the following events:

- For a non-roaming scenario, the SMF (or for a roaming scenario, V-SMF in the VPLMN for HR or SMF in the VPLMN for LBO), receives the N1 NAS message (via AMF) PDU SESSION MODIFICATION COMPLETE from the UE and the 5GSM state within the SMF is returned to PDU SESSION ACTIVE (see TS 24.501 [13] clauses 6.1.3.3 and 6.4.2). This applies to the following cases for an MA-Upgrade-Allowed PDU session:
 - UE initiated MA PDU session modification (see TS 23.502 [4] clause 4.22.8.2).
 - Network initiated MA PDU session modification (see TS 23.502 [4] clause 4.22.8.2).
- For a non-roaming scenario, the SMF (or for a roaming scenario, V-SMF in the VPLMN for HR or SMF in the VPLMN for LBO), receives the N1 NAS message (via AMF) PDU SESSION RELEASE COMPLETE from the UE in response to a PDU SESSION RELEASE COMMAND message containing an Access type IE identifying a single access to be released of an MA PDU session which was established over both accesses and the 5GSM state within the SMF remains in the PDU SESSION ACTIVE. This applies to the following case:
 - A single access type is released from an MA PDU session, but the MA PDU session continues.
- For a non-roaming scenario, the SMF (or for a roaming scenario, V-SMF in the VPLMN for HR or SMF in the VPLMN for LBO), sends the N1 NAS message (via AMF) PDU SESSION ESTABLISHMENT ACCEPT to the UE and the 5GSM state within the SMF remains in the PDU SESSION ACTIVE (see TS 24.501 [13] clauses 6.1.3.3 and 6.4.1). This applies to the following cases:
 - Handover from one access type to another access type happens (e.g. 3GPP to non-3GPP) for an MA-Upgrade-Allowed MA PDU session (see TS 23.502 [4] clauses 4.9.2.3 and 4.9.2.4).

- MA PDU Session establishment over second access type.
- For a home-routed roaming scenario, the SMF in the HPLMN (i.e. H-SMF) receives the N16: Nsmf_PDU_Session_Update Response message with n1SmInfoFromUe IE containing the PDU SESSION MODIFICATION COMPLETE (see TS 29.502 [16] , clauses 5.2.1, 5.2.2.8, 5.2.3, and 6.1.6). This applies to the following cases for an MA-Upgrade-Allowed PDU session:
 - UE initiated MA PDU session modification (see TS 23.502 [4] clause 4.22.8.3).
 - Network (VPLMN) initiated MA PDU session modification (see TS 23.502 [4] clause 4.22.8.3).
 - Network (HPLMN) initiated MA PDU session modification (see TS 23.502 [4] clause 4.22.8.3).
- For a non-roaming scenario, SMF sends a Nsmf_EventExposure_Notify request to the NEF or AF for the target UE for the event "UP Path Change" related to a corresponding subscription from AF (see TS 29.508 [90] clause 4.2.2).
- For a non-roaming scenario, SMF sends a Nsmf_EventExposure_AppRelocationInfo response to the NEF or AF for the target UE in response to Nsmf_EventExposure_AppRelocationInfo request sent by NEF or AF to SMF (see TS 29.508 [90] clause 4.2.5).
- For a non-roaming scenario, SMF receives a Nnef_PFDManagement_Fetch response from the NEF for the target UE in response to Nnef_PFDManagement_Fetch request sent by SMF to NEF (see TS 29.551 [96] clause 4.2.2).
- For a home-routed roaming scenario, the SMF in the HPLMN (i.e. H-SMF) receives the N16: Nsmf_PDU_Session_Update Response message with n1SmInfoFromUe IE containing the PDU SESSION RELEASE COMPLETE message, a response to a PDU SESSION RELEASE COMMAND message containing an Access type IE identifying a single access to be released of an MA PDU session which was established over both accesses and the 5GSM state within the SMF remains in the PDU SESSION ACTIVE. This applies to the following cases:
 - A single access type is released from an MA PDU session, but the MA PDU session continues.
- For a home-routed roaming scenario, the SMF in the HPLMN (i.e. H-SMF) sends the N16: Nsmf_PDU_Session_Create Response message with n1SmInfoToUe IE containing the PDU SESSION ESTABLISHMENT ACCEPT (see TS 29.502 [16] clauses 5.2.1, 5.2.2.8, 5.2.3, and 6.1.6) while it had received an N16 Nsmf_PDU_Session_Create request message with an existing PDU Session Id with access type being changed. This applies to the following cases:
 - Handover from one access type to another access type happens (e.g. 3GPP to non-3GPP) for an MA-Upgrade-Allowed PDU session (see TS 23.502 [4] clauses 4.9.2.3 and 4.9.2.4). In this case, the V-SMF is used for the PDU session on the new access type only.
 - MA PDU Session establishment over second access type.
- For a home-routed roaming scenario, the SMF in the HPLMN (i.e. H-SMF) sends the N16: Nsmf_PDU_Session_Update Response message with n1SmInfoToUe IE containing the PDU SESSION ESTABLISHMENT ACCEPT (see TS 29.502 [16]) while it had received a N16 Nsmf_PDU_Session_Update Request message with an existing PDU Session Id with access type being changed. This applies to the following cases:
 - Handover from one access type to another access type happens (e.g. 3GPP to non-3GPP) where the same V-SMF is used for the PDU session on both access types.
 - MA PDU Session establishment over second access type.

For a non-roaming scenario, SMF sends a Npcf_SMPolicyControlUpdateNotify response to the PCF for the target UE in response to an Npcf_SMPolicyControlUpdateNotify request sent by PCF to SMF including PCC rules which traffic control policy data contains either a routeToLocs IE or trafficSteeringPolIdDI IE and/or trafficSteeringPolIdUI IE. These PCC rules correspond to policies that influence the target UE's traffic flows (see TS 29.513 [88] clause 5.5.3).

Table 6.2.3-5C: Payload for SMFMAPDUSessionModification record

Field name	Type	Cardinality	Description	M/C/O
sUPI	SUPI	0..1	SUPI associated with the PDU session (e.g. as provided by the AMF in the associated Nsmf_PDU_Session_CreateSMContext service operation). Shall be present except for PEI-only unauthenticated emergency sessions.	C
sUPIUnauthenticated	SUPIUnauthenticatedIndication	0..1	Shall be present if a SUPI is present in the message, and set to "true" if the SUPI was not authenticated, or "false" if it has been authenticated.	C
pEI	PEI	0..1	PEI associated with the PDU session, if available.	C
gPSI	GPSI	0..1	GPSI associated with the PDU session, if available.	C
pDUSessionID	PDUSessionID	1	PDU Session ID, see TS 24.501 [13] clause 9.4.	M
accessInfo	SEQUENCE OF AccessInfo	0..MAX	Identifies the access(es) associated with the PDU session including the information for each specific access (see table 6.2.3-5B) being modified.	C
sNSSAI	SNSSAI	0..1	Slice identifier associated with the PDU session, if available. See TS 23.003 [19] clause 28.4.2 and TS 23.501 [2] clause 5.15.2.	C
location	Location	0..1	Location information provided by the AMF or present in the context at the SMF, if available.	C
requestType	FiveGSMRequestType	0..1	For both a UE- as well as a network-requested PDU session, the POI (SMF) shall set the request type parameter to "modification request".	C
servingNetwork	SMFServingNetwork	1	PLMN ID of the serving core network operator, and, for a Non-Public Network (NPN), the NID that together with the PLMN ID identifies the NPN.	M
oldPDUSessionID	PDUSessionID	0..1	The old PDU Session ID received from the UE. See TS 23.502 [4] clauses 4.3.2.2.1 and 4.3.5.2 and TS 24.501 [13] clause 6.4.1.2. Shall be present if this IE is in the SMContextCreateData or PDUSessionCreateData message sent to the SMF or the PDU Session Context or SM Context at the SMF (see TS 29.502 [16] clauses 6.1.6.2.2, 6.1.6.2.9 and 6.1.6.2.39).	C
maUpgradeIndication	SMFMAUpgradeIndication	0..1	Indicates whether the PDU session is allowed to be upgraded to MA PDU session (see TS 23.502 [4] clause 4.22.3). Include if known.	C
ePSPDNCnxInfo	SMFEPSPDNCnxInfo	0..1	Indicates if the PDU session may be moved to EPS during its lifetime (see TS 29.502 [16] clause 6.1.6.2.31). Include if known.	C
maAcceptedIndication	SMFMAAcceptedIndication	1	Indicates that a request to establish an MA PDU session was accepted or if a single access PDU session request was upgraded into a MA PDU session (see clauses 4.22.2 and 4.22.3 of TS 23.502 [4]). It shall be set as follows: - true: MA-Confirmed MA PDU session was established - false: single access MA-Upgrade-Allowed MA PDU session was established that may be upgraded to an MA-Confirmed MA PDU session.	M
atSSSContainer	ATSSSContainer	0..1	Identifies the steering, switching, and splitting features for the MA-Confirmed MA PDU session. Also indicates whether MPTCP or ATSSS-LL is to be used for ATSSS. See clause 9.11.4.22 of TS 24.501 [13].	C
uEEPSPDNConnection	UEEPSPDNConnection	0..1	This IE shall be present, if available, during an EPS to 5GS Idle mode mobility or handover using the N26 interface. If present, it shall contain the EPS bearer context(s) information present in the uEEPSPDNConnection parameter of the intercepted SmContextCreateData message (see TS 29.502 [16] clause 6.1.6.2.2).	C
ePS5GSComboInfo	EPS5GSComboInfo	0..1	Provides detailed information about PDN Connections and PDU Sessions during EPS to 5GS idle mode mobility or handover using the N26 interface. Shall be included if the AMF has selected a SMF+PGW-C to serve the PDU session. This parameter shall include the additional IEs in table 6.2.3-1A, if present.	C
handoverState	HandoverState	0..1	Indicates whether the PDU Session Establishment being reported was due to a handover. Shall be present if this IE is in the SMContextCreatedData sent by the SMF (see TS 29.502 [16] clause 6.1.6.2.3).	C

Field name	Type	Cardinality	Description	M/C/O
pCCRules	PCCRuleSet	0..1	Set of PCC rules related to traffic influence. Each PCC rule influences the routing of a given traffic flow. If several flows are concerned, then several PCC rules shall be handled by the SMF. Traffic influence policies are originated by an AF. PCF translates these rules into PCC rules for traffic influence. The payload of a PCC rule for traffic influence is defined in table 6.2.3-1E.	C
uPPPathChange	UPPathChange	0..1	Notification of the UPPathChange event, if available. This IE is defined in TS 29.508 [90] table 5.6.2.5-1.	C
pFDDDataForApp	PFDDDataForApp	0..1	Represents the packet flow descriptions (PFDs) for an application identifier (AppId), if available. This IE is defined in TS 29.551 [96] table 5.6.2.2-1.	C
ePSPDNConnectionModification	EPSPDNConnectionModification	0..1	Provides details about PDN Connections when the SMFMAPDUSessionModification xIRI message is used to report PDN Connection Establishment or Modification. See table 6.3.3-8 and clause 6.3.3.2.3.	C

6.2.3.2.7.4 MA PDU session release

The IRI-POI in the SMF shall generate an xIRI containing an SMFMAPDUSessionRelease record when the IRI-POI present in the SMF detects that an MA PDU session has been released. The IRI-POI present in the SMF shall generate the xIRI for the following events:

- For a non-roaming scenario, the SMF (or for a roaming scenario, V-SMF in the VPLMN for HR or SMF in the VPLMN for LBO), receives the N1 NAS message (via AMF) PDU SESSION RELEASE COMPLETE from the UE and the 5GSM state within the SMF is changed to PDU SESSION INACTIVE (see TS 24.501 [13] clauses 6.1.3.3 and 6.4.3) for a PDU session that is either MA-Confirmed or MA-Upgrade-Allowed. This applies to the following two cases:
 - UE initiated MA PDU session release (see TS 23.502 [4] clause 4.22.10.2).
 - Network initiated MA PDU session release (see TS 23.502 [4] clause 4.22.10.2).
- For a roaming scenario, V-SMF in the VPLMN for HR or SMF in the VPLMN for LBO receives the N1 NAS message (via AMF) PDU SESSION RELEASE COMPLETE from the UE and the 5GSM state within the V-SMF is changed to PDU SESSION INACTIVE (see TS 24.501 [13] clauses 6.1.3.3 and 6.4.3) for a PDU session that is either MA-Confirmed or MA-Upgrade-Allowed. This applies to the following two cases:
 - UE initiated PDU session release of a single access for an MA PDU session; (VPLMN considers MA PDU session fully released while HPLMN considers MA PDU session active).
 - Network initiated PDU session release of a single access for an MA PDU session; (VPLMN considers MA PDU session fully released while HPLMN considers MA PDU session active).
- For a non-roaming scenario, the SMF (or for a roaming scenario, V-SMF in the VPLMN for HR or SMF in the VPLMN for LBO), receives the N1 NAS message (via AMF) STATUS from the UE with the cause values listed in TS 24.501 [13] clause 6.5.3 and the 5GSM state within the SMF is changed to PDU SESSION INACTIVE for a PDU session that is either MA-Confirmed or MA-Upgrade-Allowed. One of the cases where this applies is of UE finding that the PDU session ID received in a PDU SESSION MODIFICATION COMMAND is invalid.
- For a non-roaming scenario, the SMF (or for a roaming scenario, the V-SMF in the VPLMN for HR or SMF in the VPLMN for LBO) sends the Nsmf_PDUSession_ReleaseSMContext Response to the AMF (see TS 29.502 [16] clause 5.2.2.4) for a PDU session that is either MA-Confirmed or MA-Upgrade-Allowed. This applies to the case where the MA PDU session is released without any N1 or N2 messages (e.g. AMF initiates the PDU session release when it finds that the PDU session is no longer associated with the UE, see TS 23.502 [4] clause 4.2.2.4).
- For a non-roaming scenario, the SMF (or for a roaming scenarios, V-SMF in the VPLMN for HR or SMF in the VPLMN for LBO) sends Nsmf_PDUSession_SMContextStatusNotify (see TS 29.502, clause 6.1.6.2.8) with RELEASED in the ResourceStatus IE (see TS 29.502 [16] clause 6.1.6.3.1) to the AMF for a PDU session that is either MA-Confirmed or MA-Upgrade-Allowed. This applies to the case where MA PDU session release is neither initiated by a NAS message nor by Nsmf_PDUSessionReleaseContext Request message (see TS 29.502 [16] clause 5.2.2.5).

- For a home-routed roaming scenario, the SMF in the HPLMN (i.e. H-SMF) receives the N16: Nsmf_PDU_Session_Update Response message with n1SmInfoFromUe IE containing the PDU SESSION RELEASE COMPLETE (see TS 29.502 [16] clauses 5.2.1, 5.2.2.8, 5.2.3, and 6.1.6) from the V-SMF. This applies to the following three cases for an MA PDU session that is either MA-Confirmed or MA-Upgrade-Allowed:
 - UE initiated PDU session release (see TS 23.502 [4] clause 4.22.10.3).
 - Network (VPLMN) initiated PDU session release (see TS 23.502 [4] clause 4.22.10.3).
 - Network (HPLMN) initiated PDU session release (see TS 23.502 [4] clause 4.22.10.3).
- For a home-routed roaming scenario, H-SMF in the HPLMN sends the Nsmf_PDU_Session_Release Response to the V-SMF (see TS 29.502 [16] clause 5.2.2.9) for a PDU session that is either MA-Confirmed or MA-Upgrade-Allowed. This applies to the case where the MA PDU session is released without any N1 or N2 messages (e.g. AMF in the VPLMN initiates the PDU session release when it finds that the PDU session is no longer associated with the UE, see TS 23.502 [4] clause 4.3.4.3).
- For a home-routed roaming scenario, H-SMF in the HPLMN Nsmf_PDU_Session_StatusNotify (see TS 29.502 [16] clause 6.1.6.2.17) with RELEASED in the ResourceStatus IE (see TS 29.502 [16] clause 6.1.6.3.1) to the V-SMF for a PDU session that is either MA-Confirmed or MA-Upgrade-Allowed. This applies to the case where MA PDU session release is neither initiated by a NAS message nor by Nsmf_PDU_Session_Release Request message (see TS 29.502 [16] clause 5.2.2.9).

Table 6.2.3-5D: Payload for SMFMAPDU_Session_Release record

Field name	Type	Cardinality	Description	M/C/O
sUPI	SUPI	1	SUPI associated with the PDU session.	M
pEI	PEI	0..1	PEI associated with the PDU session if available.	C
gPSI	GPSI	0..1	GPSI associated with the PDU session if available.	C
pDU_SessionID	PDU_Session	1	PDU Session ID as assigned by the AMF.	M
timeOfFirstPacket	Timestamp	0..1	Time of first packet for the PDU session.	C
timeOfLastPacket	Timestamp	0..1	Time of last packet for the PDU session.	C
uplinkVolume	INTEGER	0..1	Number of uplink octets for the PDU session.	C
downlinkVolume	INTEGER	0..1	Number of downlink octets for the PDU session.	C
location	Location	0..1	Location information, if available.	C
cause	SMF_ErrorCodes	0..1	Indicates the NF Service Consumer cause for the requested PDU session release (see TS 29.502 [16] clause 6.1.6.3.8 for enumerated cause information). Include if known.	C
nGAPCause	NGAP_CauseInt	0..1	Indicates the NGAP cause for the requested SM context release (see TS 29.502 [16] clause 6.1.6.2.6). Shall be derived as described in TS 29.571 [17] clause 5.4.4.12.	C
fiveGMMCause	FiveGMM_Cause	0..1	Indicates the 5GMM cause for a PDU Session released due to any 5GMM failure (see 29.502 [16] clause 6.1.6.2.6). Shall be sent as an integer derived as described in TS 29.571 [17] clause 5.4.2.	C
pCCRuleIDs	PCCRuleIDSet	0..1	PCC rule IDs of the PCC rules related to traffic influence that are associated to the PDU session and active at the time the PDU session is released.	C
ePSPDNConnectionRelease	EPSPDN_ConnectionRelease	0..1	Provides details about PDN Connections when the SMFMAPDU_Session_Release xIRI message is used to report PDN Connection Release. See table 6.3.3-13 and clause 6.3.3.2.4.	C

6.2.3.2.7.5 Start of interception with an established MA PDU session

The IRI-POI in the SMF shall generate an xIRI containing an SMFStartOfInterceptionWithEstablishedMAPDU_Session record when the IRI-POI present in the SMF detects that a MA PDU session has already been established for the target UE when interception starts.

In a non-roaming scenario, the IRI-POI in the SMF (or in a roaming scenario, the IRI-POI in the V-SMF in the VPLMN for HR or SMF in the VPLMN for LBO) shall generate the xIRI containing the SMFStartOfInterceptionWithEstablishedMAPDU_Session record when it detects that a new interception for a UE is

activated (i.e. provisioned by the LIPF) for the following case for an MA PDU session that is either MA-Confirmed or MA-Upgrade-Allowed:

- The 5GSM state within the SMF for that UE is 5GSM: PDU SESSION ACTIVE or PDU SESSION MODIFICATION PENDING.

NOTE: The above trigger happens when the SMF (V-SMF in VPLMN for HR or SMF in the VPLMN for LBO) had not sent an N1 NAS message PDU SESSION RELEASE COMMAND to the UE to release the entire MA PDU session and the SMF (V-SMF in the VPLMN for HR or SMF in the VPLMN for LBO) had previously sent an N1 NAS message PDU SESSION ESTABLISHMENT ACCEPT to that UE for the same MA PDU session.

In a home-routed roaming scenario, the IRI-POI in the H-SMF shall generate the xIRI containing the SMFStartOfInterceptionWithEstablishedMAPDUSession record when it detects that a new interception for a UE is activated (i.e. provisioned by the LIPF) for the following case for an MA PDU session that is either MA-Confirmed or MA-Upgrade-Allowed:

- The H-SMF had not sent an Nsmf_PDU_Session_Update Request (n1SmInfoToUe: PDU SESSION RELEASE COMMAND to release the entire MA PDU session) to the V-SMF for a PDU session and H-SMF had previously sent an Nsmf_PDU_Session_Create Response (n1SmInfoToUE: PDU SESSION ESTABLISHMENT ACCEPT) to the V-SMF for that PDU session.

The IRI-POI in the SMF shall generate the xIRI containing the SMFStartOfInterceptionWithEstablishedMAPDUSession record for each of the MA PDU sessions (that meets the above criteria) associated with the newly identified target UEs.

The IRI-POI present in the SMF generating an xIRI containing a SMFStartOfInterceptionWithEstablishedMAPDUSession record shall set the Payload Direction field in the PDU header to not applicable (Direction Value 5, see ETSI TS 103 221-2 [8] clause 5.2.6).

Table 6.2.3-5E: Payload for SMFStartOfInterceptionWithEstablishedMAPDUSession record

Field name	Type	Cardinality	Description	M/C/O
sUPI	SUPI	0..1	SUPI associated with the PDU session (e.g. as provided by the AMF in the associated Nsmf_PDU_Session_CreateSMContext service operation). Shall be present except for PEI-only unauthenticated emergency sessions.	C
sUPIUnauthenticated	SUPIUnauthenticatedIndication	0..1	Shall be present if a SUPI is present in the message and set to "true" if the SUPI has not been authenticated, or "false" if it has been authenticated.	C
pEI	PEI	0..1	PEI associated with the PDU session, if available.	C
gPSI	GPSI	0..1	GPSI associated with the PDU session, if available.	C
pDUSessionID	PDUSESSIONID	1	PDU Session ID as assigned by the AMF, as defined in TS 24.007 [14] clause 11.2.3.1b.	M
pDUSessionType	PDUSESSIONTYPE	1	Identifies selected PDU session type, see TS 24.501 [13] clause 9.11.4.11.	M
accessInfo	SEQUENCE OF AccessInfo	1..MAX	Identifies the access(es) associated with the PDU session including the information for each specific access (see table 6.2.3-5B).	M
sNSSAI	SNSSAI	0..1	Slice identifier associated with the PDU session, if available. See TS 23.003 [19] clause 28.4.2 and TS 23.501 [2] clause 5.15.2.	C
uEEndpoint	SEQUENCE OF UEEndpointAddress	0..MAX	UE endpoint address(es) if available. IP addresses are given as 4 octets (for IPv4) or 16 octets (for IPv6) with the most significant octet first (network byte order). MAC addresses are given as 6 octets with the most significant octet first (see TS 29.244 [15] clause 5.21).	C
location	Location	0..1	Location information provided by the AMF at session establishment or present in the context at the SMF, if available.	C
dNN	DNN	1	Data Network Name associated with the target traffic, as defined in TS 23.003 [19] clause 9A and described in TS 23.502 [4] clause 4.3.2.2. Shall be given in dotted-label presentation format as described in TS 23.003 [19] clause 9.1.	M
aMFID	AMFID	0..1	Identifier of the AMF associated with the target UE, as defined in TS 23.003 [19] clause 2.10.1, if available.	C

Field name	Type	Cardinality	Description	M/C/O
hSMFURI	HSMFURI	0..1	URI of the Nsmf_PDUSession service of the selected H-SMF, if available. See TS 29.502 [16] clause 6.1.6.2.2.	C
requestType	FiveGSMRequestType	0..1	Type of request as initially set within PDU SESSION ESTABLISHMENT as described in TS 24.501 [13] clause 9.11.3.47. If the initial value is no longer available the request type shall be set to "existing PDU session".	C
sMPDUDNRequest	SMPDUDNRequest	0..1	Contents of the SM PDU DN request container, if available, as described in TS 24.501 [13] clause 9.11.4.15.	C
servingNetwork	SMFServingNetwork	1	PLMN ID of the serving core network operator, and, for a Non-Public Network (NPN), the NID that together with the PLMN ID identifies the NPN.	M
oldPDUSessionID	PDUSessionID	0..1	The old PDU Session ID received from the UE. See TS 23.502 [4] clauses 4.3.2.2.1 and 4.3.5.2 and TS 24.501 [13] clause 6.4.1.2. Include if known.	C
mAUpgradeIndication	SMFMAUpgradeIndication	0..1	Indicates whether the PDU session is allowed to be upgraded to MA PDU session (see TS 23.502 [4] clause 4.22.3). Include if known.	C
ePSPDNCnxInfo	SMFEPSPDNCnxInfo	0..1	Indicates if the PDU session may be moved to EPS during its lifetime (see TS 29.502 [16] clause 6.1.6.2.31). Include if known.	C
MAAcceptedIndication	SMFMAAcceptedIndication	1	Indicates that a request to establish an MA PDU session was accepted or if a single access PDU session request was upgraded into an MA PDU session (see TS 23.502 [4] clauses 4.22.2 and 4.22.3). It shall be set as follows: - true: MA-Confirmed MA PDU session was established. - false: single access MA-Upgrade-Allowed MA PDU session was established that may be upgraded to an MA-Confirmed MA PDU session.	M
aTSSSContainer	ATSSSContainer	0..1	Identifies the steering, switching, and splitting features for the MA-Confirmed MA PDU session. Also indicates whether MPTCP or ATSSS-LL is to be used for ATSSS. See TS 24.501 [13] clause 9.11.4.22.	C
ePS5GSComboInfo	EPS5GSComboInfo	0..1	Provides detailed information about PDN Connections and PDU Sessions during EPS to 5GS idle mode mobility or handover using the N26 interface. Shall be included when the AMF has selected a SMF+PGW-C to serve the PDU session. This parameter may include the additional IEs in table 6.2.3-1A, if available.	C
uEEPSPDNConnection	UEEPSPDNConnection	0..1	This IE shall be present, if available, during an EPS to 5GS Idle mode mobility or handover using the N26 interface. If present, it shall contain the EPS bearer context(s) information present in the uEEPSPDNConnection parameter of the intercepted SmContextCreateData message. (see TS 29.502 [16] clause 6.1.6.2.2).	C
pCCRules	PCCRuleSet	0..1	Set of PCC rules related to traffic influence. Each PCC rule influences the routing of a given traffic flow. If several flows are concerned, then several PCC rules shall be handled by the SMF. Traffic influence policies are originated by an AF. PCF translates these rules into PCC rules for traffic influence. The payload of a PCC rule for traffic influence is defined in table 6.2.3-1E.	C
pFDDDataForApps	PFDDDataForApps	0..1	Represents a set of associations between application identifier and packet flow descriptions (PFDs), if available.	C
ePSStartOfInterceptionWithEstablishedPDNConnection	EPSSStartOfInterceptionWithEstablishedPDNConnection	0..1	Provides details about PDN Connections when the SMFStartOfInterceptionWithEstablishedMAPDUSession xIRI message is used to report the start of interception on a target who already has existing PDN Connections. See table 6.3.3-14 and clause 6.3.3.2.5.	C

6.2.3.2.7.6 SMF MA unsuccessful procedure

The IRI-POI in the SMF shall generate an xIRI containing an SMFMAUnsuccessfulProcedure record when the IRI-POI present in the SMF detects an unsuccessful procedure or error condition for a UE matching one of the target identifiers provided via LI_X1.

Accordingly, the IRI-POI in the SMF generates the xIRI when one of the following events are detected:

- SMF sends a PDU SESSION ESTABLISHMENT REJECT message to the target UE for MA-Confirmed and MA-Upgrade-Allowed MA PDU sessions.
- SMF sends a PDU SESSION MODIFICATION REJECT message to the target UE for MA-Confirmed and MA-Upgrade-Allowed MA PDU sessions.
- SMF sends a PDU SESSION RELEASE REJECT message to the target UE for MA-Confirmed and MA-Upgrade-Allowed MA PDU sessions.
- SMF receives a PDU SESSION MODIFICATION COMMAND REJECT message from the target UE for MA-Confirmed and MA-Upgrade-Allowed MA PDU sessions.
- An ongoing SM procedure is aborted at the SMF, due to e.g. a 5GSM STATUS message sent from or received by the SMF for MA-Confirmed and MA-Upgrade-Allowed MA PDU sessions.

Table 6.2.3-5F: Payload for SMFMAUnsuccessfulProcedure record

Field name	Type	Cardinality	Description	M/C/O
failedProcedureType	SMFFailedProcedureType	1	Specifies the procedure which failed or is aborted at the SMF.	M
failureCause	FiveGSMCause	1	Provides the value of the 5GSM cause, see TS 24.501 [13] clause 9.11.4.2. In case the procedure is aborted due to a 5GSM STATUS message, the 5GSM cause is the one included in the 5GSM status message.	M
requestedSlice	NSSAI	0..1	Slice requested for the procedure, if available, given as a NSSAI (a list of S-NSSAI values as described in TS 24.501 [13] clause 9.11.3.37).	C
initiator	Initiator	1	Specifies whether the network (SMF) or the UE is initiating the rejection or indicating the failure.	M
sUPI	SUPI	0..1	SUPI associated with the procedure, if available (see NOTE).	C
sUPIUnauthenticated	SUPIUnauthenticatedIndication	0..1	Shall be present if a SUPI is present in the message and set to "true" if the SUPI has not been authenticated, or "false" if it has been authenticated.	C
pEI	PEI	0..1	PEI used in the procedure, if available (see NOTE).	C
gPSI	GPSI	0..1	GPSI used in the procedure, if available (see NOTE).	C
pDUSessionID	PDUSESSIONID	0..1	PDU Session ID, see TS 24.501 [13] clause 9.4, if available.	C
accessInfo	SEQUENCE OF AccessInfo	1..MAX	Identifies the access(es) associated with the PDU session including the information for each specific access (see table 6.2.3-5B).	M
uEEndpoint	SEQUENCE OF UEEndpointAddress	0..MAX	UE endpoint address(es) if available.	C
location	Location	0..1	Location information provided by the AMF or present in the context at the SMF, if available.	C
dNN	DNN	0..1	Data Network Name associated with the target traffic, as defined in TS 23.003 [19] clause 9A and described in TS 23.501 [2] clause 4.3.2.2, if available. Shall be given in dotted-label presentation format as described in TS 23.003 [19] clause 9.1.	C
aMFID	AMFID	0..1	Identifier of the AMF associated with the target UE, as defined in TS 23.003 [19] clause 2.10.1 when available.	C
hSMFURI	HSMFURI	0..1	URI of the Nsmf_PDUSession service of the selected H-SMF, if available. See TS 29.502 [16] clause 6.1.6.2.2.	C

Field name	Type	Cardinality	Description	M/C /O
requestType	FiveGSMRequestType	0..1	Type of request as described in TS 24.501 [13] clause 9.11.3.47, if available. Otherwise depending on the REJECT event the following request type shall be reported: PDU SESSION ESTABLISHMENT REJECT: The request type shall be set to the one reported within the PDU SESSION ESTABLISHMENT or if there hasn't been one reported it should be set to "MA PDU request". PDU SESSION MODIFICATION REJECT: "modification request". PDU SESSION RELEASE REJECT: no request type shall be set. PDU SESSION MODIFICATION COMMAND REJECT: "modification request".	C
sMPDUDNRequest	SMPDUDNRequest	0..1	Contents of the SM PDU DN Request container, if available, as described in TS 24.501 [13] clause 9.11.4.15.	C
NOTE: At least one identity shall be provided, the others shall be provided if available.				

6.2.3.2.8 PDU to MA PDU session modification

The IRI-POI in the SMF shall generate an xIRI containing an SMF-PDU-to-MA-PDU-Session-Modification record when the IRI-POI present in the SMF detects that an existing PDU session for the target UE has been successfully modified to an MA PDU session using the PDU session modification procedures as described in TS 24.501 [13]. A PDU session is considered to be successfully modified to a MA PDU session, when all of the following are true:

1. The UE is registered to both 3GPP access and non-3GPP access:
 - In the same PLMN (non-roaming UE).
 - In the different PLMNs (roaming UE).
2. SMF receives the PDU SESSION MODIFICATION REQUEST from the UE (TS 24.501 [13] clause 8.2.10) that includes one of the following:
 - *modification request* and includes MA PDU session information IE set to *MA PDU session network upgrade allowed*.
 - *MA PDU request*.
3. SMF sends a PDU SESSION MODIFICATION COMMAND to the UE that includes the ATSSS IE (TS 24.501 [13] clause 6.4.2.3).
4. SMF receives the PDU SESSION MODIFICATION COMPLETE from the UE (TS 24.501 [13] clause 8.3.10.1).
5. The 5GSM state within the SMF is PDU Session Active.

Once the SMF-PDU-to-MA-PDU-Session-Modification record has been generated by the IRI-POI in the SMF, the IRI-POI shall follow clause 6.2.3.2.7 of the present document for further reporting for this MA PDU session.

Table 6.2.3-5G: Payload for SMF-PDU-to-MA-PDU-Session-Modification record

Field name	Type	Cardinality	Description	M/C /O
sUPI	SUPI	0..1	SUPI associated with the PDU session (e.g. as provided by the AMF in the associated Nsmf_PDU_Session_CreateSMContext service operation). Shall be present except for PEI-only unauthenticated emergency sessions.	C
sUPIUnauthenticated	SUPIUnauthenticatedIndication	0..1	Shall be present if a SUPI is present in the message and set to <i>true</i> if the SUPI was not authenticated, or <i>false</i> if it has been authenticated.	C
pEI	PEI	0..1	PEI associated with the PDU session if available.	C

Field name	Type	Cardinality	Description	M/C/O
gPSI	GPSI	0..1	GPSI associated with the PDU session if available.	C
sNSSAI	SNSSAI	0..1	Slice identifier associated with the PDU session, if available. See TS 23.003 [19] clause 28.4.2 and TS 23.501 [2] clause 5.15.2.	C
non3GPPAccessEndpoint	UEEndpointAddress	0..1	UE's local IP address used to reach the N3IWF, TNGF or TWIF, if available. IP addresses are given as 4 octets (for IPv4) or 16 octets (for IPv6) with the most significant octet first (network byte order).	C
location	Location	0..1	Location information provided by the AMF or present in the context at the SMF, if available.	C
requestType	FiveGSMRequestType	1	In accordance with the request type as described in TS 24.501 [13] clause 6.4.2.2 and clause 9.11.3.47 a request type of "modification request" shall be reported.	M
accessType	AccessType	0..1	Access type associated with the session (i.e. 3GPP or non-3GPP access) if provided by the AMF (see TS 24.501 [13] clause 9.11.2.1A).	C
rATType	RATType	0..1	RAT type associated with the access, if available. Values given as per TS 29.571 [17] clause 5.4.3.2.	C
pDUSessionID	PDUSessionID	1	PDU Session ID, see TS 24.501 [13] clause 9.4.	M
requestIndication	RequestIndication	1	Indicates the request type for PDU session modification as indicated by the requestIndication sent in the PDU SESSION MODIFICATION REQUEST (see TS 29.502 [16] clause 6.1.6.3.6).	M
atSSSContainer	ATSSSContainer	1	Identifies the steering, switching, and splitting features for the MA-Confirmed MA PDU session. Also indicates whether MPTCP or ATSSS-LL is to be used for ATSSS. See TS 24.501 [13] clause 9.11.4.22.	M
uEEndpoint	UEEndpointAddress	0..1	UE IP address(es) assigned to the PDU Session if available (See TS 29.244 [15] clause 5.21).	C
servingNetwork	SMFServingNetwork	0..1	Shall be present if this IE is in the SMContextUpdateData, HsmfUpdateData or message sent to the SMF or the PDU Session Context or SM Context at the SMF (see TS 29.502 [16] clauses 6.1.6.2.3, 6.1.6.2.11 and 6.1.6.2.39).	C
handoverState	HandoverState	0..1	Indicates whether the PDU Session Modification being reported was due to a handover. Shall be present if this IE is in the SMContextUpdatedData or sent by the SMF (see TS 29.502 [16] clause 6.1.6.2.3).	C
gTPTunnelInfo	GTPTunnelInfo	1	Contains the information for the User Plane GTP Tunnels for the PDU Session (see TS 29.502 [16] clauses 6.1.6.2.2, 6.1.6.2.9 and 6.1.6.2.39). See table 6.2.3-1B.	M
ePSPDNConnectionModification	EPSPDNConnectionModification	0..1	Provides details about PDN Connections when the SMF PDUtoMAPDUSessionModification xIRI message is used to report PDN Connection Modification. See table 6.3.3-8 and clause 6.3.3.2.3.	C

6.2.3.3 Triggering of the CC-POI from CC-TF over LI_T3

6.2.3.3.1 LI_T3 interface specifics

When interception of communication contents is authorised or the delivery of packet header information is authorised and approach 2 described in clause 6.2.3.5 is used, the CC-TF present in the SMF sends a trigger to the CC-POI present in the UPF over the LI_T3 interface.

When the CC-TF in the SMF detects that a PDU session is being established (i.e. when the SMF sends the N4: PFCP Session Establishment Request to the UPF, see TS 29.244 [15] clause 6.3.2) for a target UE, it shall send an activation message to the CC-POI in the UPF over the LI_T3 interface. The activation message shall contain the correlation identifiers that the CC-POI in the UPF shall use with the xCC. This can be achieved by sending an ActivateTask message as defined in ETSI TS 103 221-1 [7] clause 6.2.1 with the following details.

Table 6.2.3-6: ActivateTask message for triggering the CC-POI in the UPF

ETSI TS 103 221-1 [7] field name	Description	M/C/O
XID	Allocated by the CC-TF as per ETSI TS 103 221-1 [7].	M
TargetIdentifiers	Packet detection criteria as determined by the CC-TF in the SMF, which enables the UPF to isolate target traffic. The CC-POI in the UPF shall support at least the identifier types given in table 6.2.3-7. NOTE: This value is the target identifier for the CC-POI in the UPF and may be different from the target identifier specified in the warrant.	M
DeliveryType	Set to "X3Only".	M
ListOfDIDs	Delivery endpoints for LI_X3. These delivery endpoints shall be configured by the CC-TF in the SMF using the CreateDestination message as described in ETSI TS 103 221-1 [7] clause 6.3.1 prior to first use.	M
CorrelationID	Correlation ID to assign to X3 PDUs generated by the CC-POI in the UPF. This field is populated with the same CorrelationID the IRI-POI in the SMF uses for the associated xIRI.	M
ProductID	Shall be set to the XID of the Task Object associated with the interception at the CC-TF. This value shall be used by the CC-POI in the UPF to fill the XID of X3 PDUs.	M

The CC-TF in the SMF shall not send the ListOfServiceTypes parameter of the ActivateTask message to the CC-POI in the UPF.

Table 6.2.3-7: Target Identifier Types for LI_T3

Identifier type	Owner	ETSI TS 103 221-1 [7] TargetIdentifier type	Definition
GTP Tunnel ID	3GPP	gtpuTunnelId	F-TEID (see XSD schema)
UE IP Address	ETSI	IPv4Address or IPv6Address	See ETSI TS 103 221-1 [7]
UE TCP/UDP Port	ETSI	TCPPort or UDPPort	See ETSI TS 103 221-1 [7]
PFCP Session ID	3GPP	TargetIdentifierExtension / FSEID	F-SEID (see XSD schema)
PDR ID	3GPP	TargetIdentifierExtension / PDRID	32 bit unsigned integer (see XSD schema)
QER ID	3GPP	TargetIdentifierExtension / QERID	32 bit unsigned integer (see XSD schema)
Network Instance	3GPP	TargetIdentifierExtension / NetworkInstance	Octet string (see XSD schema)
GTP Tunnel Direction	3GPP	TargetIdentifierExtension / GTP TunnelDirection	Enumeration (see XSD schema)

When the CC-TF in the SMF detects that a targeted PDU session is changing (i.e. when the SMF sends the N4: PFPCP Session Modification Request to the UPF, see TS 29.244 [15] clause 6.3.3) in a way that requires changes to the interception already activated by the CC-POI in the UPF, the CC-TF shall modify the interception at the CC-POI in the UPF over the LI_T3 interface. This is achieved by sending a ModifyTask message as defined in ETSI TS 103 221-1 [7] clause 6.2.2. The ModifyTask message contains the same details as the ActivateTask message with the following fields updated as appropriate.

Table 6.2.3-8: Parameters that may be changed in a ModifyTask message when updating interception at the CC-POI in the UPF

ETSI TS 103 221-1 [7] field name	Description	M/C/O
TargetIdentifiers	Updated packet detection criteria as determined by the CC-TF in the SMF. NOTE: See notes on TargetIdentifiers in table 6.2.3-6.	M

When the CC-TF in the SMF detects that a targeted PDU session is changing (i.e. when the SMF sends the N4: PFPCP Session Modification Request to the UPF) for which the interception had not been previously activated in the CC-POI in the UPF (e.g. in case of previous unsuccessful LI activation at the CC-POI in the UPF by the CC-TF in the SMF), the CC-TF shall send an activation message to the CC-POI in the UPF over the LI_T3 interface. The activation message

shall contain the correlation identifiers that the CC-POI in the UPF shall use with the xCC. This can be achieved by sending an ActivateTask message as defined in ETSI TS 103 221-1 [7] clause 6.2.1 with the details provided by Table 6.2.3-6.

When the CC-TF in the SMF detects that the PDU session has been released (i.e. when the SMF sends the N4: PFCP Session Deletion Request to the UPF, see TS 29.244 [15] clause 6.3.4) for a target UE, it shall send a deactivation message to the CC-POI in the UPF over the LL_T3 interface. When using ETSI TS 103 221-1 [7] this is achieved by sending a DeactivateTask message with the XID field set to the XID associated with the interception, as described in ETSI TS 103 221-1 [7] clause 6.2.3.

By default, interception shall occur at the anchor UPF as described in clause 6.2.3.3.3.

When a warrant that includes the service scoping of CC is activated for a target UE with an established PDU session and when the IRI-POI present in the SMF generates the xIRI containing an SMFStartOfInterceptionWithEstablishedPDUSession record (see clause 6.2.3.2.5), the CC-TF present in the SMF shall send an activation message to the CC-POI present in the UPF to generate the xCC.

6.2.3.3.2 CC interception with multi-homed PDU session

When a target UE accesses multiple Data Networks (DNs) via a multi-homed PDU session (see TS 23.501 [2] clause 5.6.4.3), multiple UPFs are involved in providing the PDU Session Anchors, with one UPF providing the Branching Point functionality. The Branching Point UPF may, or may not, be a PDU Session Anchor UPF (see TS 33.127 [5] Annex A3.2). The CC-TF present in the SMF shall send the CC intercept trigger to the CC-POI present in an UPF if and only if that UPF is selected to provide the CC-POI functions.

When the target UE is involved in multi-homed PDU session, the CC-TF present in the SMF (i.e. in the SMF that establishes the PDU session) shall determine which UPF(s) is(are) more suitable to provide the CC-POI functions adhering to the following requirements specified in TS 33.127 [5]:

- All applicable user plane packets are captured and delivered.
- Duplicate delivery of CC is suppressed to the extent possible.

This clause assumes that a PDU session contains only one Branching Point UPF (with N3 reference point toward the target UE) and one PDU Session Anchor UPF for each DN connection.

Since the present document requires the interception of all DN connections, the SMF may choose either all the PDU Session Anchor UPFs or the Branching Point UPF to provide the CC-POI functions.

The Branching Point UPF may be chosen when all user plane packets pass through the Branching Point UPF, and the CC-TF present in the SMF may choose the Branching Point UPF to provide the CC-POI function and accordingly, send the CC interception trigger to the CC-POI present in the Branching Point UPF. The CC intercept trigger shall include the packet detection rules. An example of these rules is:

- Generate the xCC from all the incoming and outgoing user plane packets to the target UE.

In this case, the CC-TF present in the SMF shall not select any of the PDU Session Anchor UPFs to provide the CC-POI functions.

When a Branching Point UPF is chosen to provide the CC-POI functions, and if the Branching Point UPF is removed from the user plane path during a PDU session, then the CC POI functions will have to be moved to the PDU Session Anchor UPFs.

The xCC delivered to the MDF3 shall be correlated to the PDU session related xIRI. The use of Correlation Id shall be on a user-plane path basis, which means that the xCC generated at different UPFs that belong to different PDU sessions may need to have separate Correlation IDs, each correlating to their own PDU session related xIRI.

6.2.3.3.3 CC Interception only at PDU Session Anchor UPFs

An option is to intercept a copy of the packets sent and received on the N6 interface [2] side of the PDU Anchor UPF (for each UL classifier in case of selective routing or *Service and Session Continuity* mode 3) for all DNs the subject is connected to. In the in-bound roaming case for home-routed roaming, the CSP shall deliver a copy of the packets sent and received on the N9 side of the PDU Anchor UPF towards the serving network.

6.2.3.4 IRI-POI in UPF triggering over LI_T2

When interception of packet header information is authorised, if approach 1 described in clause 6.2.3.9.1 is used for packet header information reporting, the IRI-TF in the SMF shall send a trigger to the IRI-POI in the UPF over the LI_T2 interface when the IRI-TF in the SMF detects that a PDU session has been established (i.e. when the SMF sends the N4: PFCP Session Establishment Request to the UPF, see TS 29.244 [15] clause 6.3.2) for a target UE. The activation message shall contain the correlation ID that the IRI-POI in the UPF shall use when generating xIRI. This shall be achieved by sending an ActivateTask message as defined in TS 103 221-1 [7] clause 6.2.1 with the following details.

Table 6.2.3-9: ActivateTask message for triggering the UPF IRI-POI

ETSI TS 103 221-1 [7] field name	Description	M/C/O
XID	Allocated by the IRI-TF as per ETSI TS 103 221-1 [7].	M
TargetIdentifiers	Packet detection criteria as determined by the IRI-TF in the SMF, which enable the UPF IRI-POI to isolate target traffic. The IRI-POI in the UPF shall support at least the identifier types given in table 6.2.3-7. NOTE: This value is the target identifier for the IRI-POI in the UPF and may be different from the target identifier specified in the warrant.	M
DeliveryType	Set to "X2Only".	M
TaskDetailsExtensions/ HeaderReporting	Header reporting-specific tag to be carried in the <i>TaskDetailsExtensions</i> field of ETSI TS 103 221-1 [7]. See table 6.2.3.9.2-1.	M
ListOfDIDs	Delivery endpoints of LI_X2. These delivery endpoints shall be configured by the IRI-TF in the SMF using the <i>CreateDestination</i> message as described in ETSI TS 103 221-1 [7] clause 6.3.1 prior to first use.	M
CorrelationID	Correlation ID to assign for xIRI generated by the IRI-POI in the UPF. This field is populated with the same CorrelationID the IRI-POI in the SMF uses for the associated xIRI.	M
ProductID	Shall be set to the XID of the Task Object associated with the interception at the IRI-TF. This value shall be used by the IRI-POI in the UPF to fill the XID of X2 PDUs.	M

The IRI-TF in the SMF shall not send the ListOfServiceTypes parameter of the ActivateTask message to the IRI-POI in the SMF.

Table 6.2.3-10: Void

When the IRI-TF in the SMF detects that a targeted PDU session has changed (i.e. when the SMF sends the N4: PFCP Session Modification Request to the UPF, see TS 29.244 [15] clause 6.3.3) in a way which requires changes to the interception by the IRI-POI in the UPF, the IRI-TF in the SMF shall modify the interception at the IRI-POI in the UPF over the LI_T2 interface. This is achieved by sending a ModifyTask message as defined in ETSI TS 103 221-1 [7] clause 6.2.2. The ModifyTask message contains the same details as the ActivateTask message with the following fields updated as appropriate.

Table 6.2.3-11: Parameters that may be changed in a ModifyTask message when updating interception at the IRI-POI in the UPF

Field name	Description	M/C/O
TargetIdentifiers	Updated packet detection criteria as determined by the IRI-TF in the SMF. NOTE: See notes on TargetIdentifiers in table 6.2.3-6.	M

When the IRI-TF in the SMF detects that the PDU session has been released (i.e. when the SMF sends the N4: PFCP Session Deletion Request to the UPF, see TS 29.244 [15] clause 6.3.4) for a target UE, it shall send a deactivation message to the IRI-POI in the UPF over the LI_T2 interface. When using ETSI TS 103 221-1 [7] this is achieved by sending a DeactivateTask message with the XID field set to the XID associated with the interception, as described in ETSI TS 103 221-1 [7] clause 6.2.3.

When a PDU session involves multiple UPFs, the selection of UPF to provide the IRI-POI functions shall be done in the same way an UPF is selected to provide the CC-POI functions as described in clauses 6.2.3.3.2 and 6.2.3.3.3.

When interception of packet header information is authorised for a target UE, if approach 1 described in clause 6.2.3.9.1 is used for packet header information reporting, the IRI-TF present in the SMF shall send an activation message to the IRI-POI present in the UPF when the IRI-POI present in the SMF generates the xIRI containing an SMFStartOfInterceptionWithEstablishedPDUSession record to generate the packet header information reporting related xIRIs from the user plane packets of that PDU session.

6.2.3.5 Generation of xIRI at UPF over LI_X2

6.2.3.5.1 Packet data header reporting

When packet header information reporting is authorised, packet header information reports are generated either by the IRI-POI in the UPF (if approach 1 from clause 7.12.2.3 of TS 33.127 [5] is used) or by the MDF2 (if approach 2 from clause 7.12.2.3 of TS 33.127 [5] is used). Depending on the requirements of the warrant, the packet header information reports can be in per-packet form, or in summary form.

6.2.3.5.2 Fragmentation

If the IRI-POI in the UPF is placed on a link which fragmented the original IP packet (see IETF RFC 791[34] for basic fragmentation rules, and IETF RFC 815 [26] for more complex re-assembly rules), a situation may occur in which only the first fragment can be sensibly reported in a PDHR, while the subsequent fragments may be missing essential fields that are mandatory, which may cause simplistic implementations to mis-report them, or omit them altogether.

In this case, the IRI-POI in the UPF shall report the first fragment of a fragmented IP packet, including the port numbers when they are included within this first fragment, using the length of the fragment to determine if the port numbers are indeed encoded within this first fragment. The subsequent fragments are reported without port information. This technique relieves the IRI-POI in the UPF from having to reassemble the original IP packet (at line speed) at the cost of accuracy of the reported fields.

6.2.3.5.3 Packet Data Header Report (PDHR)

If the per-packet form of packet header information reporting, i.e. PDHR, is authorised, the PDHeaderReport xIRI shall be generated as described in clause 6.2.3.9.3.

6.2.3.5.4 Packet Data Summary Report (PDSR)

If the summary form of the packet header information reporting, i.e. PDSR, is authorised, the PDSummaryReport xIRI shall be generated as described in clause 6.2.3.9.4.

6.2.3.6 Generation of xCC at CC-POI in the UPF over LI_X3

The CC-POI present in the UPF shall send xCC over LI_X3 for each IP packet matching the criteria specified in the Triggering message (i.e. ActivateTask message) received over LI_T3 from the CC-TF in the SMF.

NOTE: Implementers are reminded of the completeness and non-duplication requirements (see TS 33.127 [5]).

Each X3 PDU shall contain the contents of the user plane packet given using the GTP-U, IP or Ethernet payload format.

The CC-POI present in the UPF shall set the payload format to indicate the appropriate payload type (5 for IPv4 Packet, 6 for IPv6 Packet, 7 for Ethernet frame or 12 for GTP-U Packet as described in ETSI TS 103 221-2 [8] clauses 5.4 and 5.4.13.

If handover of the entire GTP-U packet is required over LI_HI3 (see clause 6.2.3.8), then consideration shall be made of the correct choice of LI_X3 payload type to ensure that the MDF3 has the necessary CC information. Support for delivery of LI_X3 as payload type 12 (GTP-U packet) is mandatory.

The CC-POI present in the UPF may use the Additional XID Related Information attributes to facilitate efficient delivery of xCC, as specified in ETSI TS 103 221-2 [8] clause 5.3.22.

6.2.3.7 Generation of IRI over LI_HI2

When an xIRI is received over LI_X2 from the IRI-POI in the SMF or the IRI-POI in the UPF, the MDF2 shall send the IRI message over LI_HI2 without undue delay. The IRI message shall contain a copy of the relevant record received from LI_X2. The record may be enriched by other information available at the MDF (e.g. additional location information).

The ETSI TS 102 232-1 [9] *@LI-PS-PDU.pSHeader.timeStamp* field shall be set to the time at which the SMF event was observed (i.e. the timestamp field of the xIRI).

The *@LI-PS-PDU.payload.iRIPayloadSequence.iRIType* parameter (see ETSI TS 102 232-1 [9] clause 5.2.10) shall be included and coded according to table 6.2.3-14.

Table 6.2.3-14: IRI type for IRI messages

Record type	IRI Type
SMF PDUSessionEstablishment	BEGIN
SMF PDUSessionRelease	END
SMF PDUSessionModification	CONTINUE
SMFStartOfInterceptionWithEstablishedPDUSession	BEGIN
SMFUnsuccessfulProcedure	REPORT
SMFMAPDUSessionEstablishment	BEGIN
SMFMAPDUSessionRelease	END
SMFMAPDUSessionModification	CONTINUE
SMFStartOfInterceptionWithEstablishedMAPDUSession	BEGIN
SMFMAUnsuccessfulProcedure	REPORT
SMFPDUtoMAPDUSessionModification	CONTINUE
PDHeaderReport	REPORT
PDSummaryReport	REPORT

IRI messages associated with the same PDU Session shall be assigned the same CIN (see ETSI TS 102 232-1 [9] clause 5.2.4).

The *@LI-PS-PDU.payload.iRIPayloadSequence.iRIContents.threeGPP33128DefinedIRI* field (see ETSI TS 102 232-7 [10] clause 15) of the LI_HI2 message shall be populated with the BER-encoded *IRIPayload*.

When an additional warrant is activated on a target UE and the LIPF uses the same XID for the additional warrant, the MDF2 shall be able to generate and deliver the IRI message containing the SMFStartOfInterceptionWithEstablishedPDUSession record and the SMFStartOfInterceptionWithEstablishedMAPDUSession record to the LEMF associated with the additional warrant without receiving a corresponding xIRI. The payload of the SMFStartOfInterceptionWithEstablishedPDUSession record is specified in table 6.2.3-4, while the payload of the SMFStartOfInterceptionWithEstablishedMAPDUSession record is specified in table 6.2.3-9. The MDF2 shall generate and deliver the IRI message containing the SMFStartOfInterceptionWithEstablishedPDUSession record for each of the established PDU sessions to the LEMF associated with the new warrant. The MDF2 shall generate and deliver the IRI message containing the SMFStartOfInterceptionWithEstablishedMAPDUSession record for each of the established MA PDU sessions to the LEMF associated with the new warrant.

If the MDF2 did not receive a previous *SMFStartOfInterceptionWithEstablishedPDUSession.timeOfSessionEstablishment* or *SMFStartOfInterceptionWithEstablishedMAPDUSession.timeOfSessionEstablishment* for the same session from the IRI-POI, the MDF2 shall set the value of the *SMFStartOfInterceptionWithEstablishedPDUSession.timeOfSessionEstablishment* or *SMFStartOfInterceptionWithEstablishedMAPDUSession.timeOfSessionEstablishment* to the time provided in the timestamp previously received in the header of the related SMF PDUSessionEstablishment or SMFMAPDUSessionEstablishment xIRI.

When the delivery of packet header information is authorised and approach 2 described in clause 6.2.3.9.1 is used, the MDF2 shall generate the IRI message and send it over LI_HI2 without undue delay when xCC is received over LI_MDF from the MDF3. The MDF2 shall generate packet header information reporting as described in clause 6.2.3.5.

6.2.3.8 Generation of CC over LI_HI3

When the xCC is received over LI_X3, the MDF3 shall emit the CC over LI_HI3 without undue delay.

The ETSI TS 102 232-1 [9] *@LI-PS-PDU.pSHeader.timeStamp* structure shall be set to the time that the UPF observed the data (i.e. the timestamp field of the xCC). The LIID and CID fields shall correctly reflect the target identity and communication session to which the CC belongs.

The MDF3 shall populate the *@LI-PS-PDU.payload.cCPayloadSequence.cCContents.threeGPP33128DefinedCC* field (see clause 5.5.3 of the present document) with a BER-encoded CCPayload structure containing either:

1. The *uPFCCPDU* field containing the GTP-U packet received over LI_X3. It shall only be used if the content of the GTP-U packet is an IPv4 or IPv6 packet.
2. The *extendedUPFCCPDU* field as described in table 6.2.3-15.

The MDF3 shall support delivery using either option.

Table 6.2.3-15: ExtendedUPFCCPDU structure

Field name	Description	M/C/O
payload	Payload of the GTP-U packet without GTP-U encapsulation. Content shall be supplied according to table 6.2.3-16.	M
qFI	Shall be populated with the QoS Flow Identifier value from the GTP-U header extension (see TS 38.415 [41] clause 5.5.3.3) if present over LI_X3.	C

Table 6.2.3-16: UPFCCPDU Payload structure

Field name	Description
uPFIPCC	Contains an IPv4 or IPv6 packet
uPFEthernetCC	Contains an Ethernet frame
uPFUnstructuredCC	Contains an unstructured packet

6.2.3.9 Packet header information reporting

6.2.3.9.1 General

As described in TS 33.127 [5] clause 7.12.2, warrants that do not require the interception of communication contents but do require packet header information reporting will require access to the user plane packets. Packet header information reporting includes the following two IRI messages:

- Packet Data Header Reporting (PDHR) in the form of PDHeaderReport records.
- Packet Data Summary Reporting (PDSR) in the form of PDSummaryReport records.

TS 33.127 [5] clause 7.12.2 provides two approaches for the generation of such IRI messages.

In approach 1, the IRI-POI present in the UP Entity constructs and delivers the packet header information reporting related xIRIs to the MDF2 as described in clause 6.2.3.4.

In approach 2, the CC-POI present in the UP Entity intercepts, constructs and delivers the xCC to the MDF3 as described in clause 6.2.3.6. The MDF3 forwards the xCC to the MDF2 over the LI_MDF interface and the MDF2 generates the IRI messages containing the packet header information reporting related records from the xCC.

In both approaches, the payload of the PDHeaderReport and PDSummaryReport records are as described in clauses 6.2.3.9.3, 6.2.3.9.4 tables 6.2.3.9.3-1 and 6.2.3.9.4-1. Note that in approach 2, the MDF2 generates these IRI messages containing PDHeaderReport and PDSummaryReport records without receiving the equivalent xIRI from an IRI-POI. The actions of the MDF2, the MDF3, the CC-TF in the CP Entity in 5GS and CUPS EPS, and the CC-POI in non-CUPS EPS are managed as part of the intercept data provisioned to them over the LI_X1 interface.

In version 18.9.0 of the present document an alternative approach to packet header information reporting was introduced using the IPPR mechanism as defined in ETSI TS 102 232-3 [135] clause 6.2.5. It is recommended that new implementations implement the IPPR mechanism as this aligns IP packet reporting across ETSI TS 102 232-3 [109], ETSI TS 102 232-7 [10], TS 33.108 [12] (when using ETSI TS 102 232-7 [10] for the HI2 interface) and the present document.

For IPPR, in approach 1 described above, the POI generates an xIRI containing an *.XIRIEvent.iPIRIPacketReport*.

6.2.3.9.2 Provisioning details

Table 6.2.3.9.2-1 shows the details of the HeaderReporting TaskDetailsExtension used in the LI_X1 ActivateTask message used for provisioning LI functions when packet header information reporting is authorised.

Table 6.2.3.9.2-1: PDHRReportingExtensions parameters

Field name	Description	M/C/O
pDHType	This field shall be set to either: <ul style="list-style-type: none"> - "PDHR," per-packet reporting. - "PDSR," for summarized reporting. Includes PDSRParameters (see table 6.2.3.9.2-2). 	M

Table 6.2.3.9.2-2: PDSRParameters

Field name	Description	M/C/O
pDSRTriggerType	This field shall be set to at least one of the following triggers: <ul style="list-style-type: none"> a) timer expiry (along with a timer value and unit). b) packet count (along with a value for the number of packets detected before a summary is to be triggered). c) byte count (along with a value for the cumulative byte size reached across all packets belonging to the summary before said summary is to be triggered). Summary reports shall not be cumulative, i.e. each summary report shall describe only the packets contained in its respective range, and each new summary shall start its count (of whichever attribute from the numbered list above applies) from zero, i.e. the information in the (n+1)'th summary report starts immediately after the end of the n'th summary report.	M
useSessionTriggers	If useSessionTriggers is present and set to true, the trigger described in the pDSRTriggerType parameter shall be applied at the session level instead of per-flow.	C

6.2.3.9.3 PDHeaderReport record

If the per-packet form of packet header information reporting, i.e. PDHR, is used, the LI function responsible for generating the xIRI extracts the information shown in table 6.2.3.9.3-1 from each packet.

Table 6.2.3.9.3-1: PDHeaderReport record

Field name	Description	M/C/O
pDUSessionID	The PDU Session ID value 255 shall be used by the sender; the receiver shall ignore the parameter (see NOTE).	M
sourceIPAddress	Shall contain the source address of the packet from the 32-bit "Source Address" field in IPv4, as defined in IETF RFC 791 [34], or from the 128-bit "Source Address" field in IPv6, as defined in IETF RFC 2460 [27].	M
sourcePort	Shall contain the "Source Port" number that indicates an application or service running on top of the transport, if the "Protocol" IP field (see the <i>nextLayerProtocol</i> field below in this table) is one of: <ul style="list-style-type: none"> a) Transmission Control Protocol (TCP), IP "Protocol" field decimal "6"; see IETF RFC 793 [28]. b) User Datagram Protocol (UDP), IP "Protocol" field decimal "17"; see IETF RFC 768 [29]. c) Datagram Congestion Control Protocol (DCCP), IP "Protocol" field decimal "33"; see IETF RFC 4340 [30]. d) Stream Control Transmission Protocol (SCTP), IP "Protocol" field decimal "132"; see IETF RFC 4960 [31]. For further details on Layer four protocols, see IANA [32].	C
destinationIPAddress	Shall contain the destination address of the packet from the 32-bit "Destination Address" field in IPv4, as defined in IETF RFC 791 [34], or from the 128-bit "Destination Address" field, as defined in IETF RFC 2460 [27].	M

Field name	Description	M/C/O
destinationPort	Shall contain the “ <i>Destination Port</i> ” number that indicates an application or service running on top of the transport, if the “ <i>Protocol</i> ” IP field (see the <i>nextLayerProtocol</i> field below in this table) is one of: e) Transmission Control Protocol (TCP), IP “Protocol” field decimal “6”; see IETF RFC 793 [28]. f) User Datagram Protocol (UDP), IP “Protocol” field decimal “17”; see IETF RFC 768 [29]. g) Datagram Congestion Control Protocol (DCCP), IP “Protocol” field decimal “33”; see IETF RFC 4340 [30]. h) Stream Control Transmission Protocol (SCTP), IP “Protocol” field decimal “132”; see IETF RFC 4960 [31]. For further details on Layer four protocols, see IANA [32].	C
nextLayerProtocol	Shall contain the contents of the IP “ <i>Protocol</i> ” field as defined in IETF RFC 791 [34] (bits 72...79 in the IP header), and is one of the assigned Internet protocol numbers defined in IANA [32].	M
IPv6flowLabel	If the IP addresses in the report are IPv6, this field shall contain the 20-bit IPv6 “Flow Label” as defined in: - IPv6 IETF RFC 2460 [27], and - IPv6 Flow Label Specification IETF RFC 6437 [33].	C
direction	Shall contain the direction of the intercepted packet, and it indicates either “from target” or “to target.”	M
packetSize	Shall contain the value of the “ <i>Total Length</i> ” IP header field if IPv4 is used, as defined in IETF RFC 791 [34], or the value of the “ <i>Payload Length</i> ” field if IPv6 is used, as defined in IETF RFC 2460 [27].	M
NOTE:	This is a placeholder value used to fill the pDUSessionID field, given that the UPF does not receive the PDU Session ID used for the session by the SMF, so this information is not available at the UPF. The PDU Session ID can be retrieved by the LEMF from the IRIs generated by the IRI-POI at the SMF and delivered by the MDF2.	

6.2.3.9.4 PDSummaryReport record

If the summary form of the packet header reporting, i.e. PDSR, is used, the LI function responsible for generating the xIRI extracts the information shown in table 6.2.3.9.4-1 from each packet and aggregates it in summaries according to the pDSRType field defined in the PDHRReportingExtensions parameters of the ActivateTask message used to provision the LI function. In addition, the current summary is sent when the LI function responsible for generating the xIRI receives a DeactivateTask message for the Task that generated the PDSR regardless of whether the trigger in the pDSRType field of the ActivateTask message was met. In this case, the pDSRSummaryTrigger field of the PDSR record shall be set to endOfFlow.

A PDSR shall be generated each time a flow (Source IP, Source Port, Destination IP, Destination Port, Next Level Protocol, Direction) starts or ends.

If the useSessionTriggers flag (see table 6.2.3.9.2-2) is absent or set to false and the provisioned pDSRTriggerType is:

- Packet count, a PDSR shall be generated whenever the number of packets detected as a part of the flow reaches the provisioned trigger value.
- Byte count, a PDSR shall be generated whenever the value for the cumulative byte size across all packets belonging to the flow reaches the provisioned trigger value.
- Timer expiry, a separate timer should be used for each flow. A PDSR shall be generated for a flow whenever the timer for that flow expires.

If the useSessionTriggers flag (see table 6.2.3.9.2-2) is set to true and the provisioned pDSRTriggerType is:

- Packet count, a PDSR shall be generated for each open flow whenever the number of packets sent and received in the PDU Session/PDN Connection is reaches the provisioned trigger value.
- Byte count, a PDSR shall be generated for each open flow whenever the value for the cumulative byte size across all packets belonging to the PDU Session/PDN Connection is reaches the provisioned trigger value.

- Timer expiry, a single timer should be used for each PDU Session/PDN Connection. A PDSR shall be generated for each open flow whenever the timer expires.

Table 6.2.3.9.4-1: PDSummaryReport record

Field name	Description	M/C/O
pDUSessionID	The PDU Session ID value 255 shall be used; the receiver shall ignore the parameter (see NOTE).	M
sourceIPAddress	Shall contain the source address of the packet from the 32-bit "Source Address" field in IPv4, as defined in IETF RFC 791 [34], or from the 128-bit "Source Address" field in IPv6, as defined in IETF RFC 2460 [27].	M
sourcePort	Shall contain the "Source Port" number that indicates an application or service running on top of the transport, if the "Protocol" IP field (see the <i>nextLayerProtocol</i> field below in this table) is one of: <ul style="list-style-type: none"> a) Transmission Control Protocol (TCP), IP "Protocol" field decimal "6"; see IETF RFC 793 [28]. b) User Datagram Protocol (UDP), IP "Protocol" field decimal "17"; see IETF RFC 768 [29]. c) Datagram Congestion Control Protocol (DCCP), IP "Protocol" field decimal "33"; see IETF RFC 4340 [30]. d) Stream Control Transmission Protocol (SCTP), IP "Protocol" field decimal "132"; Stream Control Transmission Protocol [31]. For further details on Layer four protocols, see IANA [32].	C
destinationIPAddress	Shall contain the destination address of the packet from the 32-bit "Destination Address" field in IPv4, as defined in IETF RFC 791 [34], or from the 128-bit "Destination Address" field, as defined in IETF RFC 2460 [27].	M
destinationPort	Shall contain the "Destination Port" number that indicates an application or service running on top of the transport, if the "Protocol" IP field (see the <i>nextLayerProtocol</i> field below in this table) is one of: <ul style="list-style-type: none"> a) Transmission Control Protocol (TCP), IP "Protocol" field decimal "6"; see IETF RFC 793 [28]. b) User Datagram Protocol (UDP), IP "Protocol" field decimal "17"; see IETF RFC 768 [29]. c) Datagram Congestion Control Protocol (DCCP), IP "Protocol" field decimal "33"; see IETF RFC 4340 [30]. d) Stream Control Transmission Protocol (SCTP), IP "Protocol" field decimal "132"; Stream Control Transmission Protocol [31]. For further details on Layer four protocols, see IANA [32].	C
nextLayerProtocol	Shall contain the contents of the IP "Protocol" field as defined in IETF RFC 791 [34] (bits 72..79 in the IP header), and is one of the assigned Internet protocol numbers defined in IANA [32].	M
IPv6flowLabel	If the IP addresses in the report are IPv6, this field shall contain the 20-bit IPv6 "Flow Label" as defined in IPv6 IETF RFC 2460 [27] and the <i>IPv6 Flow Label Specification</i> IETF RFC 6437 [33].	C
direction	Shall contain the direction of the intercepted packet, and it indicates either "from target" or "to target."	M
pDSRSummaryTrigger	Shall contain the trigger that caused the summary report to be generated, which is one of the following: <ul style="list-style-type: none"> a) timer expiry. b) packet count. c) byte count. d) start of a flow. e) end of a flow. 	M
firstPacketTimestamp	Shall contain the timestamp that represents the time that the IRI-POI in the UPF detected the first packet in the set represented by this summary.	M
lastPacketTimestamp	Shall contain the timestamp that represents the time that the IRI-POI in the UPF detected the last packet in the set represented by this summary.	M
packetCount	Shall contain the number of packets detected during the creation of this summary.	M
byteCount	Shall contain the number of bytes summed across all packets that belong to this summary. For IPv4 it is the sum of the "Total Length" fields across all packets in the summary as defined in <i>Internet Protocol</i> IETF RFC 791 [34], while for IPv6 it is the sum of the "Payload Length" fields across all packets in the summary as defined in <i>Internet Protocol, Version 6 (IPv6) Specification</i> , IETF RFC 2460 [27].	M
perSessionTrigger	Shall be present and set to true if the trigger that caused the summary report to be generated was applied to the Session. If the trigger that caused the summary report to be generated was applied per flow, this parameter may be omitted but shall be set to false if present.	C

Field name	Description	M/C/O
NOTE:	This is a placeholder value used to fill the pDUSessionID field, given that the UPF does not receive the PDU Session ID used for the session by the SMF, so this information is not available at the UPF. The PDU Session ID can be retrieved by the LEMF from the IRIs generated by the IRI-POI at the SMF and delivered by the MDF2.	

6.2.3.9.5 Usage of the Internet Protocol Packet Reporting record

ETSI TS 102 232-3 [136] clause 6.2.5 defines the next generation Internet Protocol Packet Reporting structure (IPPR). As described in ETSI TS 102 232-3 [136] clause 6.2.5 the IPPR may be used to deliver IRI reporting of packet header information in:

- per-packet form.
- summary form.

In either case, the LI function responsible for generating the xIRI extracts the information described in ETSI TS 102 232-3 [136] clause 6.2.5 according to the IPPRType defined in the PDHRReportingExtensions parameters of the ActivateTask message used to provision the LI function.

When the summary form of IPPR is provisioned, the current summary is sent when the LI function responsible for generating the xIRI receives a DeactivateTask message for the Task that generated the IPPR regardless of whether the trigger in the IPPRType field of the ActivateTask message was met.

6.2.3.10 Sharing LI state information over LI_ST

6.2.3.10.1 Overview

TFs in SMFs in SMF sets need to share LI state information to avoid losing track of the XIDs and CorrelationIDs used in the tasks activated in the POI in the UPF when the triggered task control is transferred from one TF to another.

POIs in SMFs in SMF sets need to share LI state information to avoid losing track of the CorrelationIDs and sequence numbers used in the generation of xIRI and xCC when the interception is moved to another POI in the same SMF set.

The LIPF may request, store or remove any LI state records at any moment. The LIPF may revoke the credentials of any LI function to use the LI_ST function via LI_X0.

6.2.3.10.2 Storing LI state

The TF in the SMF shall store the LI state (related to a task active in the UPF POI) in the LISSF whenever the parent SMF stores session state for the relevant PDU session in the UDSF and whenever the parent SMF sends session state for the relevant PDU session to another SMF.

The POI in the SMF shall store the LI state (related to a task active in the SMF POI) in the LISSF whenever the parent SMF stores session state for the relevant PDU session in the UDSF and whenever the parent SMF sends session state for the relevant PDU session to another SMF.

When storing state, the LI function in the SMF shall use the state storage procedure specified in clause 5.10.2. During this procedure, the LI function shall add the metadata shown in table 6.2.3.10.2-1 to the RecordMeta for the record.

Table 6.2.3.10.2-1: Additional metadata for the RecordMeta

Field Name	Description	M/C/O
PDUSESSIONID	Identifier for the PDU session related to task.	M
UDSFRECORDID	The recordID used by the parent SMF to store the associated SMF session information in the UDSF.	M
LIStateRecordType	Identifier for the record type which can be "TFLIState" or "POILIState".	M

The TF shall store the following information as the first record block (see TS 29.598 [64] clause 6.1.3.3.2), encoded as XML following the XSD schema given in Annex H.

Table 6.2.3.10.2-2: TFLIState structure for storing TF state information in the LISSF

Field Name	Description	M/C/O
PDUSessionID	Identifier for the PDU session related to task.	M
XID	XID of the task object associated with the interception at the TF in SMF.	M
CorrelationID	Correlation ID to assign to interception product generated by the POI in the UPF.	M
TriggeredTasks	Collection of information about tasks that the TF in SMF has activated in triggered POIs in UPF due to interception for this PDU session. As a list of TriggeredTask, see table 6.2.3.10.2-3 below.	M

Table 6.2.3.10.2-3: TriggeredTask

Field Name	Description	M/C/O
XID	XID of the task object associated with the interception at the triggered.	M
NEID	NEID used in LI_T2/LI_T3 communication by the triggered POI in UPF.	M

The TF shall specify the XID in order to avoid removing the LI state related to the same ProductID but a different task in the UPF POI, for example if there is more than one PDU session.

The SMF POI shall store the information shown in table 6.2.3.10.2-4 as the first record block (see TS 29.598 [64] clause 6.1.3.3.3.2), encoded as XML following the XSD schema given in Annex H.

Table 6.2.3.10.2-4: POILISState structure for storing POI state information in the LISSF

Field Name	Description	M/C/O
PDUSessionID	Identifier for the PDU session related to task.	M
XID	XID of the task object associated with the interception at the POI in SMF.	M
SequenceNumber	Last sequence number used in the generation of xIRI/xCC.	M
CorrelationID	Correlation ID to assign to interception product generated by the POI in the SMF.	M

6.2.3.10.3 Retrieving LI state

When the TF in an SMF in an SMF set is provisioned by the LIPF with a specific XID and access to an LISSF function, the TF shall use the LISSF to retrieve LI state information.

If the implementation of the SMF set does not ensure that active SM contexts are always present in some SMF of the SMF set, when a task previously provisioned by the LIPF in the TF is deactivated, the TF shall request the records associated to the XID (received from the LIPF) from the LISSF, by performing a search as described in clause 5.10.3, using the XID as a search criteria. If no records are found, the TF may assume that no previous interception has occurred and proceed accordingly.

When a TF detects that its parent SMF is retrieving state for a targeted PDU session from the UDSF, the TF shall request records associated with that PDU session from the LISSF by performing a search as described in clause 5.10.3 and using the UDSFRecordID used by the SMF as a search criteria. When a TF detects that its parent SMF is receiving state for a targeted PDU session from another SMF, the TF shall request records associated with that PDU session from the LISSF by performing a search as described in clause 5.10.3 and using the XID of the task related to the target of that PDU session. If no records are found, the TF may assume that no previous interception has occurred and proceed accordingly. Implementers should be aware that multiple records may be returned.

When an SMF POI detects that its parent SMF is retrieving state for a targeted PDU session from the UDSF, the POI shall request records associated with that PDU session from the LISSF by performing a search as described in clause 5.10.3 and using the UDSFRecordID used by the SMF as a search criteria. When an SMF POI detects that its parent SMF is receiving state for a targeted PDU session from another SMF, the SMF POI shall request records associated with that target PDU session from the LISSF by performing a search as described in clause 5.10.3 and using the XID of the task related to the target of that PDU session. If no records are found, the SMF POI may assume that no previous interception has occurred and proceed accordingly.

6.2.3.10.4 Removing LI state

When a task is deactivated successfully in the UPF POI, the TF shall remove the LI state record from the LISSF as described in clause 5.10.4.

When a task is deactivated in the SMF POI, the POI shall remove the LI state record from the LISSF as described in clause 5.10.4.

6.2.4 LI at UDM for 5G

6.2.4.1 General description

In 5G packet core network, the UDM provides the unified data management for UE. The UDM shall have LI capabilities to generate the target UE's service area registration related xIRI. See clause 7.2.2 for the details.

6.2.5 LI at SMSF

6.2.5.1 Provisioning over LI_X1

The IRI-POI present in the SMSF is provisioned over LI_X1 by the LIPF using the X1 protocol as described in clause 5.2.2.

The IRI-POI in the SMSF shall support the following target identifier formats in the ETSI TS 103 221-1 [7] messages:

- SUPIIMSI.
- SUPINAI.
- PEIIMEI.
- PEIIMEISV.
- GPSIMSIDN.
- GPSINAI.

If service scoping is to be performed at the IRI-POI in the SMSF, the IRI-POI in the SMSF shall support the following CSP service types (see clauses 4.4.2 and 5.2.4):

- Messaging.

If the IRI-POI in the SMSF receives an ActivateTask message and the ListOfServiceTypes parameter contains a ServiceType that is not supported, the IRI-POI in the SMSF shall reject the task with an appropriate error as described in ETSI TS 103 221-1 [7] clause 6.2.1.2.

Table 6.2.5-1 shows the minimum details of the LI_X1 ActivateTask message used for provisioning the IRI-POI in the SMSF.

Table 6.2.5-1: ActivateTask message for the IRI-POI in the SMSF

ETSI TS 103 221-1 [7] field name	Description	M/C/O
XID	XID assigned by LIPF.	M
TargetIdentifiers	One of the target identifiers listed in the paragraph above.	M
DeliveryType	Set to "X2Only".	M
ListOfDIDs	Delivery endpoints for LI_X2 for the IRI-POI in the SMSF. These delivery endpoints are configured using the CreateDestination message as described in ETSI TS 103 221-1 [7] clause 6.3.1 prior to the task activation.	M
TaskDetailsExtensions/ SMSFExtensions	This field shall be included if the delivery of the full TPDU is not authorised. See table 6.2.5-2.	C
ListOfServiceTypes	Shall be included when the task should only intercept specific CSP service types as described in clause 5.2.4. This parameter is defined in ETSI TS 103 221-1 [7] clause 6.2.1.2 table 4.	C

Table 6.2.5-2: TruncateTPUserData Parameters

Field Name	Description	M/C/O
TruncateTPUserData	If included, the truncatedSMSTPDU field of the sMSTPDUData (as described in table 6.2.5-7) structure shall be used when applicable (see text below table). If absent, the sMSTPDU field of the sMSTPDUData structure shall be used.	C

If the TruncateTPUserData field of the LI_X1 ActivateTask message is included, the IRI-POI in the SMSF shall use the truncatedSMSTPDU field in xIRI generated at the IRI-POI in the SMSF for SMS-SUBMIT and SMS-DELIVER TPDU, otherwise, the sMSTPDU field shall be used.

The MDF2 listed as the delivery endpoint for the LI_X2 generated by the IRI-POI in the SMSF shall be provisioned over LI_X1 by the LIPF using the X1 protocol as described in clause 5.2.2. If SMS Content delivery is not authorized, the MDF2 shall be provisioned with the TruncateTPUserData included, otherwise it shall be left absent.

Table 6.2.5-3 shows the minimum details of the LI_X1 ActivateTask message used for provisioning the MDF2.

Table 6.2.5-3: ActivateTask message for MDF2

ETSI TS 103 221-1 [7] field name	Description	M/C/O
XID	XID assigned by LIPF.	M
TargetIdentifiers	One of the target identifiers listed in clause 6.2.5.1.	M
DeliveryType	Set to "X2Only". (Ignored by the MDF2).	M
ListOfDIDs	Delivery endpoints for LI_HI2. These delivery endpoints are configured using the CreateDestination message as described in ETSI TS 103 221-1 [7] clause 6.3.1 prior to the task activation.	M
ListOfMediationDetails	Sequence of Mediation Details, see table 6.2.5-4.	M
TaskDetailsExtensions/ SMSFExtensions	This field shall be included if the delivery of the full TPDU is not authorised. See table 6.2.5-2.	C

Table 6.2.5-4: Mediation Details for MDF2

ETSI TS 103 221-1 [7] field name	Description	M/C/O
LIID	Lawful Interception ID associated with the task.	M
DeliveryType	Set to "HI2Only".	M
ListOfDIDs	Details of where to send the IRI for this LIID. Shall be included if deviation from the ListofDIDs in the ActivateTask message is necessary. If included, the ListOfDIDs in the Mediation Details shall be used instead of any delivery destinations specified in the ListOfDIDs field in the ActivateTask Message.	C
ServiceScoping	Shall be included to Identify the service(s) and associated service-related delivery settings for this LIID. May include more than one instance of this parameter to allow for different combinations of sub-parameters associated with a single LIID. This parameter is defined in ETSI TS 103 221-1 [7] Annex C table C.2.	C

6.2.5.2 Generation of xIRI over LI_X2

The IRI-POI present in the SMSF shall send xIRI over LI_X2 for the event listed in TS 33.127 [5] clause 6.2.5.3, the details of which are described in the following clause.

6.2.5.3 SMS Message

The IRI-POI in the SMSF shall generate an xIRI containing an SMSMessage record for the following cases:

SMS-MO case:

- When a target UE originates an SMS message or when any UE originates an SMS message destined to a target non-local ID.

SMS-MT case:

- When an SMS message delivery to a target UE is attempted or when an SMS message delivery originated from a target non-local ID is attempted to any UE.
- When an SMS message is successfully delivered to a target UE or when an SMS message originated from a target non-local ID is successfully delivered to any UE.

The SMS-MT case can also apply to the scenario when a receipt of SMS delivery from the far end is delivered successfully to the target UE or when a receipt of SMS delivery from a target non-Local ID is successfully delivered to the originating UE.

The IRI-POI present in the SMSF shall generate the xIRI containing the SMSMessage record when it detects following events:

- The SMSF receives an SMCP message CP-DATA_RP-DATA [SMS-SUBMIT, SMS-COMMAND] (via AMF in Nsmsf_SMSservice_UplinkSMS message) from a target UE.
- The SMSF receives an SMCP message CP-DATA_RP-DATA [SMS-SUBMIT] (via AMF in Nsmsf_SMSservice_UplinkSMS message) from any UE with TP-DA field within the SMS-SUBMIT containing a target non-Local ID and SMSF returns the SMCP: CP-ACK to that originating UE.
- The SMSF receives an SMCP message CP-DATA_RP-DATA [SMS-COMMAND] (via AMF in Nsmsf_SMSservice_UplinkSMS message) from any UE with TP-DA field within the SMS-COMMAND containing a target non-Local ID and SMSF returns the SMCP: CP-ACK to that originating UE.
- The SMSF receives a TCAP message MAP MT-FORWARD-SHORT-MESSAGE Request [SMS-DELIVER, SMS-STATUS-REPORT] destined to a target UE.
- The SMSF receives a TCAP message MAP MT-FORWARD-SHORT-MESSAGE Request [SMS-DELIVER] destined to any UE with the TP-OA field within the SMS-DELIVER containing a target non-Local ID.
- The SMSF receives a TCAP message MAP MT-FORWARD-SHORT-MESSAGE Request [SMS-STATUS-REPORT] destined to any UE with the TP-RA field within the SMS-STATUS-REPORT containing a target non-Local ID.

The IRI-POI present in the SMSF shall generate the xIRI containing the SMSReport record when it detects following events:

- The SMSF sends a SMCP message CP-DATA_RP-ACK [SMS-SUBMIT-REPORT] (via AMF in Namf_Communication_N1N2MessageTransfer message) in response to a previously intercepted CP-DATA_RP-DATA.
- The SMSF sends a SMCP message CP-DATA_RP-ERROR [SMS-SUBMIT-REPORT] (via AMF in Namf_Communication_N1N2MessageTransfer message) in response to a previously intercepted CP-DATA_RP-DATA.
- The SMSF sends a TCAP message MAP MT-FORWARD-SHORT-MESSAGE Response [SMS-DELIVER-REPORT] in response to a previously intercepted MAP MT-FORWARD-SHORT-MESSAGE Request.

NOTE 1: In the above-mentioned descriptions, the requirements of target Non-Local ID do not apply when both originating and terminating users of an SMS message are served by the same CSP. The method used to identify a target non-Local ID is different from the method used to identify a local target ID.

If the IRI-POI is provisioned with the TruncateTPUserData parameter included and the IRI-POI is generating xIRI for the SMS-SUBMIT type (TS 23.040 [18] clause 9.2.2.2) or SMS-DELIVER type (TS 23.040 [18] clause 9.2.2.1) TPDUs, the IRI-POI shall use the *sMSTPDUData.truncatedSMSTPDU* choice (as described in table 6.2.5-7), otherwise, the IRI-POI shall use the *sMSTPDUData.sMSTPDU* choice.

Table 6.2.5-5: Payload for SMSMessage record

Field name	Type	Cardinality	Description	M/C/O
originatingSMSParty	SMSParty	1	Identity of the originating SMS party. See NOTE 2.	M
terminatingSMSParty	SMSParty	1	Identity of the terminating SMS party. See NOTE 3.	M

Field name	Type	Cardinality	Description	M/C/O
direction	Direction	1	Direction of the SMS with respect to the target. See NOTE 4.	M
linkTransferStatus	SMSTransferStatus	1	Indicates whether the SMSF sent the TPDU to the next network element. See NOTE 5.	M
otherMessage	SMSOtherMessageIndication	0..1	In the event of a server-initiated transfer, indicates whether the server will send another SMS. May be omitted if the transfer is target-initiated. See NOTE 6.	C
location	Location	0..1	Location information associated with the target sending or receiving the SMS, if available and authorised. See NOTE 7. Shall be encoded using the <i>Location.locationInfo.userLocation</i> parameter. If available, other parameters reportable via <i>Location</i> shall be included.	C
peerNFAddress	SMSNFAddress	0..1	Address of the other network function (SMS-GMSC/IWMSC/SMS-Router) involved in the communication of the SMS, if available.	C
peerNFType	SMSNFType	0..1	Type of the other network function (SMS-GMSC/IWMSC/SMS-Router) involved in the communication of the SMS, if available.	C
sMSTPDUData	SMSTPDUData	0..1	See table 6.2.5-7. Shall be provided. This parameter is conditional only for backwards compatibility.	C
messageType	SMSMessageType	0..1	See table 6.2.5-8. Shall be provided. This parameter is conditional only for backwards compatibility.	C
rPMessageReference	SMSRPMessageReference	0..1	The SM-RL Message Reference of the message per TS 24.011 [46] clause 7.3. Shall be provided. This parameter is conditional only for backwards compatibility.	C

The sMSTPDU field shall always be used for the sMSTPDUData field of the SMSReport record.

Table 6.2.5-6: Payload for SMSReport record

Field name	Type	Cardinality	Description	M/C/O
location	Location	0..1	Location information associated with the target sending or receiving the SMS, if available and authorised. See NOTE 7.	C
sMSTPDUData	SMSTPDUData	1	SMS TPDU, encoded as per TS 23.040 [18] clause 9.	M
messageType	SMSMessageType	1	See table 6.2.5-8.	M
rPMessageReference	SMSRPMessageReference	1	The SM-RL Message Reference of the message per TS 24.011 [46] clause 7.3.	M

Table 6.2.5-7: Choices for SMSTPDUData field

Field name	Type	Description
sMSTPDU	SMSTPDU	SM-TL PDU encoded per the PDUs defined in TS 23.040 [18] clause 9.2.2. Shall be chosen if the TruncateTPUserData Parameter is absent.
truncatedSMSTPDU	TruncatedSMSTPDU	SM-TL PDU encoded per the PDUs defined in TS 23.040 [18] clause 9.2.2 but truncated to remove TP-User-Data (TS 23.040 [18] clause 9.2.3.24). This method was superseded by the redactedSMSTPDU option described below and is included only for backwards compatibility.
redactedSMSTPDU	SMSTPDU	SM-TL PDU redacted as described in clause 7.4.5.2 of the present document and encoded as per the PDUs defined in TS 23.040 [18] clause 9.2.2. Shall be chosen if the TruncateTPUserData Parameter is set.
threeGPP2SMSTPDU	ThreeGPP2SMSUserData	3GPP2 SMS Transport Layer Message PDU encoded per the PDUs defined in 3GPP2 C.S0015-A [134] clause 4.5.2.
Redacted3GPP2SMSTPDU	ThreeGPP2SMSUserData	3GPP2 SMS Transport Layer Message PDU redacted as described in clause 7.5.4.2 of the present document and encoded per the PDUs defined in 3GPP2 C.S0015-A [134] clause 4.5.2.

Table 6.2.5-8: SMSMessageType values

messageType value	RP MTI Value	RP Message Type	TP-MTI Value	SMS TPDU Message Type
deliver	001	RP-DATA (network→UE)	00	SMS-DELIVER
deliverReportAck	010	RP-ACK (UE→network)	00	SMS-DELIVER-REPORT
deliverReportError	100	RP-ERROR (UE→network)	00	SMS-DELIVER-REPORT
statusReport	001	RP-DATA (network→UE)	10	SMS-STATUS-REPORT
command	000	RP-DATA (UE→network)	10	SMS-COMMAND
submit	000	RP-DATA (UE→network)	01	SMS-SUBMIT
submitReportAck	011	RP-ACK (network→UE)	01	SMS-SUBMIT-REPORT
submitReportError	101	RP-ERROR (network→UE)	01	SMS-SUBMIT-REPORT
reserved		Reserved	11	Reserved

The IRI-POI in the SMSF shall populate the messageType field with the values listed in table 6.2.5-8 based on the SMS TPDU message type (see TS 23.040 [18] clause 9.2.2) and the RP Message Type (see TS 24.011 [46] clause 8.2.2) that triggered the generation of the xIRI. The SMS TPDU Message Type is indicated by the value of the TP-Message Type Indicator (TP-MTI) (see TS 23.040 [18] clause 9.2.3.1) as described in TS 23.040 [18] clause 9.2.3.1. The RP Message Type is indicated by the value of the RP MTI (See TS 24.011 [46] clause 8.2.2).

NOTE 2: For the SMS-MO case, the originating party is the address of the UE from which the SMSF receives the CP-DATA_RP-DATA [SMS-SUBMIT, SMS-COMMAND] message (via AMF in the Nsmsf_SMSservice_UplinkSMS). The GPSI is one of the data fields used in the Nsmsf related messages (see TS 29.540 [21]). Alternatively, the SMSF may find the originating party address in the same way it finds the address when generating charging records. For SMS-MT case, this is derived from TP-OA field (TS 23.040 [18]) for SMS-DELIVER TPDUs or the TP-RA field (TS 23.040 [18]) for SMS-STATUS-REPORT TPDUs. In cases where the originatingSMSParty is not a GPSI, PEI, or SUPI, the sMSAddress parameter is populated with the octets received in the field used to derive the address (as per TS 23.040 [18] clause 9.1.2.5).

NOTE 3: For SMS-MT case, the terminating party is the address of the UE to which the SMSF sends the CP-DATA_RP-DATA [SMS-DELIVER, SMS-STATUS-REPORT] message (via AMF in Namf_Communications_N1N2MessageTransfer). The GPSI is one of the data fields used in the Namf related messages (TS 29.518 [22]). Alternatively, the SMSF may find the terminating party address in the same way it finds the address when generating charging records. For SMS-MO case, this is derived from the TP-DA field (TS 23.040 [18]). In cases where the terminatingSMSParty is not a GPSI, PEI, or SUPI, the sMSAddress parameter is populated with the octets received in the field used to derive the address (as per TS 23.040 [18] clause 9.1.2.5).

NOTE 4: For the SMS-MO case, for SMS originated from the target UE, the value fromTarget is used and for SMS destined to target Non-local ID, the toTarget is used. For SMS-MT case, for SMS terminated to the target UE, the value toTarget is used and for SMS originated from a target Non-local ID, the fromTarget is used.

NOTE 5: This field is set to transferSucceeded or transferFailed as follows:

- SMS-MO case:
 - To transferSucceeded: when the IRI-POI in the SMSF detects that SMSF sends the MO-FORWARD-SHORT-MESSAGE-Request [SMS-SUBMIT] message to the SMS-IWMSC.
 - To transferFailed: when the IRI-POI in SMSF detects the scenarios where SMSF cannot send the MO-FORWARD-SHORT-MESSAGE-Request [SMS-SUBMIT] to the SMS-IWMSC, but still generates an xIRI containing the SMSMessage record.
- SMS-MT case:
 - To transferSucceeded: when the IRI-POI in the SMSF detects that SMSF sends the MT-FORWARD-SHORT-MESSAGE-Response [SMS-DELIVER-REPORT] message to the SMS-GMSC.
 - To transferFailed: when the IRI-POI in SMSF detects the scenarios where SMSF cannot send the MT-FORWARD-SHORT-MESSAGE-Response [SMS-DELIVER-REPORT] to the SMS-GMSC, but an xIRI containing the SMSMessage record is still generated.

NOTE 6: This is only applicable to the SMS-MT case and can be derived from the TP-MMS (More Message to Send) field present in the SMS-DELIVER sent to the UE (via AMF in the Namf_Communications_N1N2MessageTransfer).

NOTE 7: This is derived from the ueLocation field of SmsRecord IE received from the AMF in the Nsmsf_SMSservice_UplinkSMS message (TS 29.540 [21]). For the SMSMessage record, the SMCP message is CP-DATA_RP-DATA [SMS-SUBMIT, SMS-COMMAND] and for the SMSReport record, the SMCP message is CP-DATA-RP-ACK [SMS-DELIVER-REPORT]. Shall be encoded using the *LocationInfo.userLocation* parameter. If available, other parameters reportable via *Location* shall be included.

6.2.5.4 Generation of IRI over LI_HI2

When an xIRI containing the SMSMessage record is received over LI_X2 from the IRI-POI in SMSF, the MDF2 shall send the IRI message over LI_HI2 without undue delay. The IRI message shall contain a copy of the SMSMessage record received over LI_X2. The SMSMessage record may be enriched by other information available at the MDF (e.g. additional location information).

If the MDF2 is provisioned with the TruncateTPUserData parameter included, the truncatedSMSTPDU field shall be used in SMSMessage IRI message, otherwise, the sMSTPDU field shall be used.

The threeGPP33128DefinedIRI field (see ETSI TS 102 232-7 [10] clause 15) shall be populated with the BER-encoded IRIPayload.

The timestamp field of the PSHeader structure shall be set to the time that the SMSF event was observed (i.e. the timestamp field of the xIRI).

Each SMSMessage record shall be delivered as an IRI REPORT (see ETSI TS 102 232-1 [9] clause 5.2.10) with a new CIN assigned (see ETSI TS 102 232-1 [9] clause 5.2.4).

Each SMSReport record shall be delivered as a separate IRI REPORT (see ETSI TS 102 232-1 [9] clause 5.2.10) with the same CIN as the IRI REPORT of the associated SMSMessage record.

6.2.6 LI support at NRF

The SIRF present within the NRF provides SBA-related information to the LIPF over the LI_SI interface. Details for this interface are not considered in the present document and are for further study.

6.3 4G

6.3.1 General

The present document allows three options for EPC LI stage 3 interfaces for 4G / LTE:

- Option A: Use LI_X1, LI_X2 and LI_X3 interfaces specified below in clauses 6.3.2 and 6.3.3 for the events listed in TS 33.127 [5] clauses 6.3.2.3 and 6.3.3.3, and the events related to SMS over NAS as specified in TS 33.107 [36] clause 18.2.4.
- Option B: Use LI_X1, LI_X2 and LI_X3 interfaces as specified in clause 6.3.2 and 6.3.3 for the events listed in TS 33.107 [36] clause 12.2.1.2 and for the events related to the MMEIdentifierAssociation record described in clause 6.3.2.2.2.
- Option C: Use TS 33.107 [36] clause 12 natively as defined in that document.

For implementations that include EPS/5GS interworking, Option A shall be used.

In all cases, the present document specifies the stage 3 for the LI_HI1, LI_HI2 and LI_HI3 interfaces.

6.3.2 LI at MME

6.3.2.1 Provisioning over LI_X1

The IRI-POI present in the MME is provisioned over LI_X1 by the LIPF using the X1 protocol as described in clause 5.2.2.

The POI in the MME shall support the following target identifier formats:

- IMSI (using the IMSI target identifier format from ETSI TS 103 221-1 [7]).
- MSISDN (using the E164Number target identifier format from ETSI TS 103 221-1 [7]).
- ME Identity (using the IMEI target identifier format from ETSI TS 103 221-1 [7]).

Table 6.3.2-0A shows the minimum details of the LI_X1 ActivateTask message used for provisioning the IRI-POI in the MME.

Table 6.3.2-0A: ActivateTask message for the IRI-POI in the MME

ETSI TS 103 221-1 [7] field name	Description	M/C/O
XID	XID assigned by LIPF.	M
TargetIdentifiers	One of the target identifiers listed in the paragraph above.	M
DeliveryType	Set to "X2Only".	M
ListOfDIDs	Delivery endpoints for LI_X2 for the IRI-POI in the MME. These delivery endpoints are configured using the CreateDestination message as described in ETSI TS 103 221-1 [7] clause 6.3.1 prior to the task activation.	M
TaskDetailsExtensions/ IdentifierAssociationExtensions	This field shall be included if the IRI-POI is required to generate MMEIdentifierAssociation records (see clause 6.3.2.2.1). If the field is absent, MMEIdentifierAssociation records shall not be generated.	C
ListOfServiceTypes	Shall be included when the task should only intercept specific CSP service types as described in clause 5.2.4. This parameter is defined in ETSI TS 103 221-1 [7] clause 6.2.1.2 table 4.	C

Table 6.3.2-0B: IdentifierAssociationExtensions Parameters

Field Name	Description	M/C/O
EventsGenerated	One of the following values: <ul style="list-style-type: none"> - IdentifierAssociation - All See clause 6.3.2.2.1 for the interpretation of this field.	M

6.3.2.2 Generation of xIRI over LI_X2

6.3.2.2.1 General

If the MME receives one or more cell IDs in an S1 message (as specified in TS 36.413 [38]), the POI associated with the MME shall report all of them.

The IRI-POI in the MME shall only generate xIRI containing the MMEIdentifierAssociation record in the following scenarios:

- IdentifierAssociation: MMEIdentifierAssociation and Tracking Area/EPS Location Update (see TS 33.107 [36] clause 12.2.1.2) records shall be generated. No other record types shall be generated for that target.
- All: All MME record types shall be generated.

When Option A specified in clause 6.3.1 is used:

- The IRI-POI present in the MME shall send the xIRIs over LI_X2 for each of the events listed in TS 33.127 [5] clause 6.3.2.3, the details of which are described in the following clauses.
- In addition to the xIRI events listed in TS 33.127 [5] clause 6.3.2.3, the MME shall support xIRI generation in case of SMS over NAS as specified in TS 33.107 [36] clause 18.2.4. For records related to SMS over NAS in EPS:
 - The IRI-POI present in the MME shall set the payload format to EpsHI2Operations.EpsIRIContent (value 14), see clause 5.3 and ETSI TS 103 221-2 [8] clause 5.4. The payload field shall contain an EpsHI2Operations.EpsIRIContent structure encoded according to TS 33.108 [12] clauses 10.5, 15.2 and B.9.
 - As the LIID may be not available at the MME but is mandatory in EpsHI2Operations.EpsIRIContent according to TS 33.108 [12] Annex B.9, its value in the lawfulInterceptionIdentifier field of the encoded PDU shall be set to the fixed string "LIIDNotPresent".

When Option B specified in clause 6.3.1 is used:

- The IRI-POI present in the MME shall send the xIRIs over LI_X2 for each of the events listed in TS 33.107 [36] clause 12.2.1.1, the details of which are specified in clause 12.2.3 of the same TS, and in case of SMS over NAS as specified in TS 33.107 [36] clause 18.2.4.
- For all records except MMEIdentifierAssociation (see clause 6.3.2.2.2), the IRI-POI present in the MME shall set the payload format to EpsHI2Operations.EpsIRIContent (value 14), see clause 5.3 and ETSI TS 103 221-2 [8] clause 5.4. The payload field shall contain an EpsHI2Operations.EpsIRIContent structure encoded according to TS 33.108 [12] clauses 10.5, 15.2 and B.9.
- As the LIID may be not available at the MME but is mandatory in EpsHI2Operations.EpsIRIContent according to TS 33.108 [12] Annex B.9, its value in the lawfulInterceptionIdentifier field of the encoded PDU shall be set to the fixed string "LIIDNotPresent".
- In addition to the xIRI events listed in TS 33.107 [36], the MME shall support xIRI containing the MMEIdentifierAssociation record in clause 6.3.2.2.2.

6.3.2.2.2 MME identifier association

The IRI-POI present in the MME shall generate an xIRI containing an MMEIdentifierAssociation record when the IRI-POI present in the MME detects a new identifier association for a UE matching one of the target identifiers provided via LI_X1. Generation of this record is subject to this record type being enabled for a specific target (see clause 6.3.2.2.1).

Table 6.3.2-1: Payload for MMEIdentifierAssociation record

Field name	Type	Cardinality	Description	M/C/O
iMSI	IMSI	1	IMSI associated with the procedure. (see NOTE 1).	M
iMEI	IMEI	0..1	IMEI used in the procedure, if available (see NOTE 1).	C
mSISDN	MSISDN	0..1	MSISDN used in the procedure, if available (see NOTE 1).	C
gUTI	GUTI	1	LTE GUTI used in the procedure.	M

Field name	Type	Cardinality	Description	M/C/O
location	Location	1	Location information available when identifier association occurs. Shall include all location information for the target UE available at the MME encoded as one of the following (see NOTE 3): <ul style="list-style-type: none"> - as a <i>Location.fourGLocationInfo.ePSLocationInformation</i> parameter. - as a <i>Location.fourGLocationInfo.ePSUserLocationInformation</i> parameter. When Dual Connectivity is activated, the <i>additionalCellIDs</i> parameter (<i>Location.fourGLocationInfo.ePSLocationInformation.mMELocationInformation.additionalCellIDs</i>) shall also be populated, see clause 7.3.3. If available, other parameters reportable via <i>Location</i> shall be included.	M
tAIList	TAIList	0..1	List of tracking areas associated with the registration area within which the UE is current registered. (see NOTE 2).	C
<p>NOTE 1: IMSI shall always be provided, in addition to the warrant target identifier if different to IMSI. Other identifiers shall be provided if available.</p> <p>NOTE 2: List shall be included each time there is a change to the registration area.</p> <p>NOTE 3: The location information was sent as a <i>userLocation</i> (<i>Location.locationInfo.userLocation</i>) between versions 18.0.0 and 18.2.0 of the present document. The location information may also be present in this field for backwards compatibility.</p>				

The IRI-POI present in the MME generating an xIRI containing an MMEIdentifierAssociation record shall set the Payload Direction field in the PDU header to *not applicable* (Direction Value 5, see ETSI TS 103 221-2 [8] clause 5.2.6).

When transmitting the xIRI, the IRI-POI present in the MME shall set the payload format to 2, and provide the payload as a BER-encoded TS33128Payloads.XIRIPayloads structure.

6.3.2.2.3 Attach

The IRI-POI in the MME shall generate an xIRI containing an MMEAttach record when the IRI-POI present in the MME detects that a UE matching one of the target identifiers provided via LI_X1 has successfully attached to EPS. Accordingly, the IRI-POI in the MME generates the xIRI when the following event is detected:

- MME sends an S1: ATTACH ACCEPT message to the target UE and the UE EPS Mobility Management (EMM) state within the MME is changed to EMM-REGISTERED.

Table 6.3.2-2: Payload for MMEAttach record

Field name	Type	Cardinality	Description	M/C/O
attachType	EPSAttachType	1	Specifies the type of EPS Attach, see TS 24.301 [51] clause 9.9.3.11. This is derived from the information received from the UE in the Attach Request message.	M
attachResult	EPSAttachResult	1	Specifies the result of the attach procedure, see TS 24.301 [51] clause 9.9.3.10.	M
iMSI	IMSI	1	IMSI associated with the registration.	M
iMEI	IMEI	0..1	IMEI associated with the registration, if available.	C
mSISDN	MSISDN	0..1	mSISDN associated with the registration, if available.	C
gUTI	GUTI	0..1	GUTI provided as outcome of initial attach or used in other cases, see TS 24.301 [51] clause 5.5.1.2.4.	C

Field name	Type	Cardinality	Description	M/C/O
location	Location	0..1	Location information determined by the network during the registration or known at the MME, if available. Shall include all location information for the target UE available at the MME encoded as one of the following (see NOTE 2): - as a <i>Location.fourGLocationInfo.ePSLocationInformation</i> parameter. - as a <i>Location.fourGLocationInfo.ePSUserLocationInformation</i> parameter. If available, other parameters reportable via <i>Location</i> shall be included.	C
ePSTAIList	TAIList	0..1	List of tracking areas associated with the registration area within which the UE is currently registered, see TS 24.301 [51] clause 9.9.3.33. (see NOTE 1)	C
sMSServiceStatus	EPSSMSServiceStatus	0..1	Indicates the availability of SMS Services. Shall be provided if present in the ATTACH ACCEPT.	C
oldGUTI	GUTI	0..1	Old GUTI used in the registration, if available.	C
eMM5GRegStatus	EMM5GMMStatus	0..1	UE Status, if provided in the REGISTRATION REQUEST message, see TS 24.501 [13] clause 9.11.3.56.	C
pagingRestrictionIndicator	PagingRestrictionIndicator	0..1	Indicates if paging is restricted or the type of paging allowed. Include if sent in the Attach Request message. Encoded per TS 24.301 [51] clause 9.9.3.66, omitting the first two octets.	C
rATType	RATType	0..1	RAT Type shall be present if known by the MME. RAT Type is determined by the MME during the attach procedure. See TS 23.401 [50] clause 4.3.5.3.	C
rRCEstablishmentCause	EPSRRCEstablishmentCause	0..1	Indicates the reason for UE RRC Connection Establishment. This parameter shall be populated with information provided by the serving RAN during NAS establishment in the Initial UE Message. See TS 36.413 [38] clause 9.2.1.3a.	C
s1Information	S1Information	0..1	Provides application layer related information for the serving Global RAN Node provided by the eNB node to the serving MME during S1 setup. This parameter shall be populated using information from the S1 SETUP REQUEST and S1 SETUP RESPONSE. See TS 36.413 [38] clauses 9.1.8.4 and 9.1.8.5. Shall only be sent when location information reporting is authorized.	C
nASTransportInitialInformation	EPSNASTransportInitialInformation	0..1	Provides information related to the NAS Transport setup for the target UE over the S1 interface. Shall be included when received by the MME per TS 36.413 [38]. This parameter is only conditional for backward compatibility. See TS 36.413 [38] clause 9.1.7.1.	C
equivalentPLMNList	PLMNList	0..1	Provides a list of equivalent PLMNs in the Attach Accept message. See clause TS 24.301 [51] clauses 8.2.1.1 and 8.2.1.8.	C
ePSUENetworkCapability	EPSUENetworkCapability	0..1	Shall contain the target UE network capability information octets sent in the Attach Request message, omitting the first two octets. Defined in TS 24.301 [51] clause 9.9.3.34.	C
initialRANUEContextSetup	EPSRANUEContext	0..1	Provides information sent in the INITIAL CONTEXT SETUP message from the MME to the RAN for a target. See TS 36.413 [38] clause 9.1.4.1.	C
mUSIMUERRequestType	MUSIMUERRequestType	0..1	Indicates a MUSIM UE has requested release of NAS signalling or has rejected paging. Include if sent in the REGISTRATION REQUEST message. Encoded per UE Request Type omitting the first two octets. See TS 24.301 [51] clause 9.9.3.65.	C

Field name	Type	Cardinality	Description	M/C/O
ePSNetworkPolicy	EPSNetworkPolicy	0..1	Indicates network policy information to the UE during attach or tracking area update procedures. Include if present in the ATTACH ACCEPT message. Encoded per Network policy type. See TS 24.301 [38] clause 9.9.3.52.	C
NOTE 1: List shall be included each time there is a change to the registration area.				
NOTE 2: The location information was sent as a <i>userLocation</i> (<i>Location.locationInfo.userLocation</i>) between versions 18.0.0 and 18.2.0 of the present document. The location information may also be present in this field for backwards compatibility.				

6.3.2.2.4 Detach

The IRI-POI in the MME shall generate an xIRI containing an MMEDetach record when the IRI-POI present in the MME detects that a UE matching one of the target identifiers provided via LI_X1 has deregistered from the EPS. Accordingly, the IRI-POI in the MME generates the xIRI when any of the following events is detected:

- For network initiated de-registration, when the MME receives the S1: DETACH ACCEPT message from the target UE, when the MME receives an S3: DETACH NOTIFICATION about the target UE from the SGSN or when implicit deregistration timer expires; and in all cases the UE EMM state within the MME is changed to EMM-DEREGISTERED.
- For UE initiated de-registration, when the MME sends the S1: DETACH ACCEPT message to the target UE or when the MME receives the S1: DETACH REQUEST message from the target UE with deregistration type value of “switch off”; and in both cases the UE EMM state within the MME is changed to EMM-DEREGISTERED.

Table 6.3.2-3: Payload for MMEDetach record

Field name	Type	Cardinality	Description	M/C/O
deregistrationDirection	MMEDirection	1	Indicates whether the deregistration was initiated by the network or by the UE.	M
detachType	EPSDetachType	1	Indicates the type of detach as determined by the direction of the detach request and the value of the DetachType information element, see table 6.3.2-4.	M
iMSI	IMSI	1	IMSI associated with the detach.	M
iMEI	IMEI	0..1	IMEI associated with the detach, if available.	C
mSISDN	MSISDN	0..1	mSISDN associated with the detach, if available.	C
gUTI	GUTI	0..1	GUTI associated with the detach, if available.	C
cause	EMMCause	0..1	Indicates the EMM cause value for network-initiated detach, see TS 24.301 [51] clause 9.9.3.9.	C
location	Location	0..1	Location information determined by the network during the deregistration or known at the MME, if available. Shall include all location information for the target UE available at the MME encoded as one of the following (see NOTE): <ul style="list-style-type: none"> - as a <i>Location.fourGLocationInfo.ePSLocationInformation</i> parameter. - as a <i>Location.fourGLocationInfo.ePSUserLocationInformation</i> parameter. When Dual Connectivity is activated, the <i>additionalCellIDs</i> parameter (<i>Location.fourGLocationInfo.ePSLocationInformation.mMELocationInformation.additionalCellIDs</i>) shall also be populated, see clause 7.3.3. If available, other parameters reportable via <i>Location</i> shall be included.	C

Field name	Type	Cardinality	Description	M/C/O
switchOffIndicator	SwitchOffIndicator	0..1	If Bit 4 of the Detach type information element sent in the Detach Request is set to 0, this parameter shall be set to "normalDetach". If Bit 4 of the Detach type information element sent in the Detach Request is set to 1, this parameter shall be set to "switchOff". See TS 24.301 [51] clause 9.9.3.7. This parameter is conditional only for backwards compatibility.	C
NOTE: The location information was sent as a <i>userLocation</i> (<i>Location.locationInfo.userLocation</i>) between versions 18.0.0 and 18.2.0 of the present document. The location information may also be present in this field for backwards compatibility.				

Table 6.3.2-4: detachType values

Type of detach value	Direction	detachType value
001	UE→network	ePSDetach
010	UE→network	iMSIDetach
011	UE→network	combinedEPSIMSIDetach
110	UE→network	reserved
111	UE→network	reserved
Any Other	UE→network	combinedEPSIMSIDetach
001	network→UE	reAttachRequired
010	network→UE	reAttachNotRequired
011	network→UE	iMSIDetach
110	network→UE	reserved
111	network→UE	reserved
Any Other	network→UE	reAttachNotRequired

The IRI-POI in the MME shall populate the ePSDetachType field with the values listed in table 6.3.2-4 based on the Detach Type sent in the Detach Request message (see TS 24.301 [51] clause 9.9.3.7) and the direction of the Detach Request associated to the event that triggered the generation of the xIRI.

If the Detach Request message associated to the event that triggered the generation of the xIRI has the EMM Cause field populated, the IRI-POI in the MME shall set the value of the cause field of the MMEDetach record to the integer value of the EMM Cause, see TS 24.301 [51] clause 9.9.3.9.

6.3.2.2.5 Tracking Area/EPS Location update

When the reporting of location information is authorised, the IRI-POI in the MME shall generate an xIRI containing an MMELocationUpdate record each time the IRI-POI present in an MME detects that the target UE location is updated due to target UE mobility or as a part of an MME service procedure. The generation of such separate xIRI is not required if the updated UE location information is obtained as a part of a procedure producing some other xIRIs (e.g. mobility registration). In that case the location information is included into the respective xIRI.

In addition to the Tracking Area Update described in TS 23.401 [50] clause 5.3.3, the UE mobility events resulting in generation of an MMELocationUpdate xIRI include the *S1 Path Switch Request (intra E-UTRAN handover X2 based handover)* procedure described in TS 23.401 [50] clause 5.5.1.1) and the *S1 Handover Notify (Intra E-UTRAN S1 based handover)* procedure described in TS 23.401 [50] clause 5.5.1.2).

The MMELocationUpdate xIRI is also generated when the MME receives an E-UTRAN S1AP *ERAB Modification Indication* message as a result of Dual Connectivity activation/release for the target UE, as described in TS 37.340 [37] clause 10.

Based on regulatory requirements and operator policy, the location information obtained by the MME from E-UTRAN or the E-SMLC in the course of some service operations may result in the generation of the MMELocationUpdate xIRI record. Additionally, the IRI-POI in the MME shall capture the location information in the scenarios described in TS 23.271 [52] clause 4.4.2. Also, in the case of Mobile Originated LCS service invoked by the target, the location information may be derived from the Location Service Response sent to the target UE via the MME (see TS 23.271 [52] clause 9.2.6).

Optionally, based on regulatory and operator policy, other MME messages that do not generate separate xIRI but carry location information such as emergency services or LCS may trigger the generation of an MMELocationUpdate xIRI record.

The MMELocationUpdate record is also used by LARF to deliver location acquisition responses to MDF2, as described in clause 7.3.5.6. For the responses to location acquisition requests initiated by LARF, as described in TS 33.127 [5] the MMELocationUpdate xIRIs shall not be generated.

Table 6.3.2-5: Payload for MMELocationUpdate record

Field name	Description	M/C/O
iMSI	iMSI associated with the location update.	M
iMEI	iMEI associated with the location update, if available.	C
mSISDN	mSISDN associated with the location update, if available as part of the subscription profile.	C
gUTI	GUTI assigned during the location update, if available, see TS 24.301 [50].	C
location	Updated location information determined by the network. Depending on the service or message type from which the location information is extracted, it may be encoded in several forms (Annex A).	M
oldGUTI	GUTI used to initiate the location update, if available, see TS 24.301 [50].	C
sMSServiceStatus	Indicates the availability of SMS Services. Shall be provided if present in the TRACKING AREA UPDATE ACCEPT.	C

6.3.2.2.6 Start of interception with EPS attached UE

The IRI-POI in the MME shall generate an xIRI containing an MMESStartOfInterceptionWithEPSAttachedUE record when the IRI-POI present in the MME detects that interception is activated on a UE that has already attached to the EPS. A UE is considered already attached to the EPS when the EMM state for that UE is EMM-REGISTERED. Therefore, the IRI-POI present in the MME shall generate the xIRI MMESStartOfInterceptionWithEPSAttachedUE record when it detects that a new interception for a UE is activated (i.e. provisioned by the LIPF) and the EPS mobility management state within the MME for that UE is EMM-REGISTERED.

Table 6.3.2-6: Payload for MMESStartOfInterceptionWithEPSAttachedUE record

Field name	Type	Cardinality	Description	M/C/O
attachType	EPSAttachType	1	Specifies the type of EPS Attach, see TS 24.301 [51] clause 9.9.3.11. This is derived from the information stored in the UE Context at the MME, see TS 23.401 [50] clause 5.7.2.	M
attachResult	EPSAttachResult	1	Specifies the result of the attach procedure, see TS 24.301 [51] clause 9.9.3.10. This is derived from the information stored in the UE Context at the MME, see TS 23.401 [50] clause 5.7.2.	M
iMSI	IMSI	1	IMSI associated with the target UE Context at the MME, see TS 23.401 [50] clause 5.7.2.	M
iMEI	IMEI	0..1	IMEI associated with the target UE Context at the MME, if available, see TS 23.401 [50] clause 5.7.2.	C
mSISDN	MSISDN	0..1	mSISDN associated with the target UE Context at the MME, if available.	C
gUTI	GUTI	0..1	Current GUTI associated with the target UE context at the MME, if available, see TS 23.401 [50] clause 5.7.2.	C

Field name	Type	Cardinality	Description	M/C/O
location	Location	0..1	Location information stored in the UE Context at the MME, if available, see TS 23.401 [50] clause 5.7.2. Shall include all location information for the target UE available at the MME encoded as one of the following (see NOTE): - as a <i>Location.fourGLocationInfo.ePSLocationInformation</i> parameter. - as a <i>Location.fourGLocationInfo.ePSUserLocationInformation</i> parameter. When Dual Connectivity is activated, the <i>additionalCellIDs</i> parameter (<i>Location.fourGLocationInfo.ePSLocationInformation.mMELocationInformation.additionalCellIDs</i>) shall also be populated, see clause 7.3.3. If available, other parameters reportable via <i>Location</i> shall be included.	C
ePSTAIList	TAIList	0..1	List of tracking areas associated with the registration area within which the UE is currently registered, see TS 24.301 [51] clause 9.9.3.33 and TS 23.401 [50] clause 5.7.2.	C
sMSServiceStatus	EPSSMSServiceStatus	0..1	Indicates the availability of SMS Services. Shall be provided if present in the UE Context at the MME, see TS 23.401 [50] clause 5.7.2.	C
eMM5GRegStatus	EMM5GMMStatus	0..1	UE Status, if present in the UE Context at the MME, see TS 24.501 [13] clause 9.11.3.56.	C
pagingRestrictionIndicator	PagingRestrictionIndicator	0..1	Indicates if paging is restricted or the type of paging allowed. Shall be included if known at the NF context. Encoded per TS 24.301 [51] clause 9.9.3.66, omitting the first two octets.	C
rATType	RATType	0..1	RAT Type shall be present if known by the MME. RAT Type is determined by the MME during the attach procedure. Shall be included if known at the NF context. See TS 23.401 [50] clause 4.3.5.3.	C
rRCEstablishmentCause	EPSRRCEstablishmentCause	0..1	Indicates the reason for UE RRC Connection Establishment. Shall be included if known at the NF context. See TS 36.413 [38] clause 9.2.1.3a.	C
s1Information	S1Information	0..1	Provides application layer related information for the serving Global RAN Node provided by the eNB node to the serving MME during S1 setup. Shall be included if known at the NF context. See TS 36.413 [38] clauses 9.1.8.4 and 9.1.8.5. Shall only be sent if location information reporting is authorized.	C
nASTransportInitiationInformation	EPSNASTransportInitiationInformation	0..1	Provides information related to the NAS Transport setup for the target UE over the S1 interface. Shall be included when received by the MME per TS 36.413 [38]. This parameter is only conditional for backward compatibility. See TS 36.413 [38] clause 9.1.7.1.	C
equivalentPLMNList	PLMNList	0..1	Provides a list of equivalent PLMNs. Shall be included if known at the NF. See clause TS 24.301 [51] clauses 8.2.1.1 and 8.2.1.8.	C
ePSUENetworkCapability	EPSUENetworkCapability	0..1	Shall contain the target UE network capability information. Shall be included if known at the NF context. Encoded per TS 24.301 [51] clause 9.9.3.34 omitting the first two octets.	C
initialRANUEContextSetup	EPSRANUEContext	0..1	Provides information about the RAN context for the UE as known at the MME. Shall be included if known at the NF context. See TS 36.413 [38] clause 9.1.4.1.	C
ePSNetworkPolicy	EPSNetworkPolicy	0..1	Indicates network policy information to the UE during attach or tracking area update procedures. Shall be included if known at the NF context. Encoded per Network policy type. See TS 24.301 [38] clause 9.9.3.52.	C
NOTE: The location information was sent as a <i>userLocation</i> (<i>Location.locationInfo.userLocation</i>) between versions 18.0.0 and 18.2.0 of the present document. The location information may also be present in this field for backwards compatibility.				

The IRI-POI present in the MME generating an xIRI containing an MMEStartOfInterceptionWithEPSAttachedUE record shall set the Payload Direction field in the PDU header to *not applicable* (see ETSI TS 103 221-2 [8] clause 5.2.6).

6.3.2.2.7 MME unsuccessful procedure

The IRI-POI in the MME shall generate an xIRI containing an MMEUnsuccessfulProcedure record when the IRI-POI present in the MME detects an unsuccessful procedure for a UE matching one of the target identifiers provided via LI_X1.

Accordingly, the IRI-POI in the MME generates the xIRI when any of the following events is detected:

- MME sends a reject to any EMM request message to the target UE and the UE EPS Mobility Management (EMM) within the MME is changed to EMM-DEREGISTERED.
- MME aborts a registration procedure before the UE EPS Mobility Management (EMM) state within the MME is changed to EMM-REGISTERED.
- MME sends a reject to any ESM request message to the target UE.

Unsuccessful attach attempts shall be reported only if the target UE has been successfully authenticated.

Table 6.3.2-7: Payload for MMEUnsuccessfulProcedure record

Field name	Type	Cardinality	Description	M/C/O
failedprocedureType	MMEFailedProcedureType	1	Specifies the procedure which failed at the MME.	M
failureCause	MMEFailureCause	1	Provides the value of the ESM or EMM cause, see TS 24.301 [51] clauses 9.9.3.9 and 9.9.4.4.	M
iMSI	IMSI	0..1	IMSI associated with the procedure, if available (see NOTE 1).	C
iMEI	IMEI	0..1	IMEI associated with the procedure, if available.	C
mSISDN	MSISDN	0..1	mSISDN associated with the procedure, if available.	C
gUTI	GUTI	0..1	GUTI provided used in the procedure, if available.	C
location	Location	0..1	Location information determined by the network during the procedure or known at the MME, if available. Shall include all location information for the target UE available at the MME encoded as one of the following (see NOTE 2): - as a <i>Location.fourGLocationInfo.ePSLocationInformation</i> parameter. - as a <i>Location.fourGLocationInfo.ePSUserLocationInformation</i> parameter. When Dual Connectivity is activated, the <i>additionalCellIDs</i> parameter (<i>Location.fourGLocationInfo.ePSLocationInformation.mMELocationInformation.additionalCellIDs</i>) shall also be populated, see clause 7.3.3. If available, other parameters reportable via <i>Location</i> shall be included.	C
NOTE 1: At least one identity shall be provided, the others shall be provided if available.				
NOTE 2: The location information was sent as a <i>userLocation</i> (<i>Location.locationInfo.userLocation</i>) between versions 18.0.0 and 18.2.0 of the present document. The location information may also be present in this field for backwards compatibility.				

6.3.2.2.8 Positioning info transfer

The IRI-POI present in the MME shall generate an xIRI containing an MMEPositioningInfoTransfer when the IRI-POI present in the MME detects one of the following events:

- a LPPa (see TS 36.455 [84]) message related to a target UE has been exchanged between the E-SMLC and the eNB via the MME.
- a LPP (see TS 37.355 [85]) message related to a target UE has been exchanged between the E-SMLC and the target UE via the MME.

Accordingly, the IRI-POI in MME generates the xIRI when any of the following events is detected:

- MME receives an SLs CONNECTION ORIENTED INFORMATION message (see TS 29.171 [54]) from E-SMLC to request the transfer of a LPPa request to the serving eNB for a target UE as part of a UE associated LPPa positioning activity. The LPPa request may be E-CID MEASUREMENT INITIATION REQUEST or OTDOA INFORMATION REQUEST.
- MME sends an SLs CONNECTION ORIENTED INFORMATION message to the E-SMLC to forward the LPPa response or report received from the eNB for a target UE. The LPPa response or report may be E-CID MEASUREMENT INITIATION RESPONSE, E-CID MEASUREMENT REPORT or OTDOA INFORMATION RESPONSE.
- MME receives an SLs CONNECTION ORIENTED INFORMATION message from E-SMLC to request the transfer of a LPP request to the target UE.
- MME sends an SLs CONNECTION ORIENTED INFORMATION message to E-SMLC to forward a LPP message received from the target UE.

Table 6.3.2-7A: Payload for MMEPositioningInfoTransfer record

Field name	Description	M/C/O
iMSI	IMSI associated with the location update.	M
iMEI	IMEI associated with the location update, if available.	C
mSISDN	MSISDN associated with the location update, if available as part of the subscription profile.	C
gUTI	GUTI assigned during the location update, if available, see TS 24.301 [50].	C
IPPaMessage	Any UE associated LPPa message exchanged between the LMF and eNB via MME.	C
IPPMMessage	Any LPP message exchanged between the E-SMLC and the target UE via MME.	C
mMELCSCorrelationId	MMELCSCorrelationId is made of Correlation Id, described in clause 7.4.28 of TS 29.171 [54], related to a location session, found in the SLs CONNECTION ORIENTED INFORMATION sent by E-SMLC to MME and corresponding SLs CONNECTION ORIENTED INFORMATION sent by MME to E-SMLC. All the MMEPositioningInfoTransfer records related to the same location session have the same CorrelationId.	M

6.3.2.2.9 Handovers

6.3.2.2.9.1 General

The present clause provides the LI requirements for S1 interface-based handovers which occur for a target UE. Such handovers may be intra EPS (inter-eNB), 5GS to EPS (inter-system), EPS to 5GS (inter-system), EPS to UTRA (inter-system) or EPS to GERA (inter-system).

The following xIRI records are used to report handover related events between the MME and RAN nodes for the target UE when the delivery of location information is not restricted by service scoping:

- EPSRANHandoverCommand.
- EPSRANHandoverRequest.

The above xIRIs are used to report handover events and information that are not carried in the MMELocationUpdate (clause 6.3.2.2.5) record and shall include the information transferred between the MME and RAN nodes, as a part of handover preparation, resource allocation, and handover notification.

6.3.2.2.9.2 Handover command

The IRI-POI in the MME shall generate an xIRI containing an EPSRANHandoverCommand record when the IRI-POI present in the MME detects that the MME has sent a HANOVER COMMAND message to the source RAN node (old RAN node) in response to a HANOVER REQUIRED message for the target UE and location information is not restricted by service scoping.

Table 6.3.2.2.9.2-1: Payload for EPSRANHandoverCommand record

Field name	Type	Cardinality	Description	M/C /O
userIdentifiers	UserIdentifiers	1	List of identifiers, including the target identifier, associated with the target UE registration stored in the MME context. See TS 23.401 [50] clause 5.7.2.	M
mMEUES1APID	MMEUES1APID	1	Identity that the MME uses to uniquely identify the target UE over the S1 Interface. See TS 36.413 [38] clause 9.2.3.3. This is correlated to the IMSI known in the UE context at the MME.	M
eNBUES1APID	RANUES1APID	1	Identity that the MME receives from the eNB uniquely identifying the target UE with the eNB. See TS 36.413 [38] clause 9.2.3.4.	M
handoverType	EPSHandoverType	1	Identifies the type of handover indicated by the source RAN node to the MME. See TS 36.413 [38] clause 9.2.1.3.	M
eRABsToBeForwarded	ERABContextList	0..1	Contains a list of any E-RABs that are subject to forwarding. Shall be present if there are any E-RABs to be forwarded listed in the handover command. See TS 36.413 [38] clause 9.1.5.2.	C
eRABsToRelease	ERABReleaseList	0..1	Contains a list of any E-RABs that are to be released. Shall be present if there are any E-RABs to be released listed in the handover command. See TS 36.413 [38] clause 9.1.5.2.	C
targetToSourceContainers	SEQUENCE OF RANTargetToSourceContainer	1..MAX	Provides radio related information about the gaining RAN node. See TS 36.413 [38] clause 9.2.1.57.	M

6.3.2.2.9.3 Handover request

The IRI-POI in the MME shall generate an xIRI containing an EPSRANHandoverRequest record when the IRI-POI in the MME detects that the MME received a HANOVER REQUEST ACKNOWLEDGE message from the gaining RAN node (new RAN node) for the target UE and location information is not restricted by service scoping.

NOTE: The gaining RAN node sends the HANOVER REQUEST ACKNOWLEDGE in response to a HANOVER REQUEST from the MME.

Table 6.3.2.2.9.3-1: Payload for EPSRANHandoverRequest record

Field name	Type	Cardinality	Description	M/C/O
userIdentifiers	UserIdentifiers	1	List of identifiers, including the target identifier, associated with the target UE registration stored in the MME context. See TS 23.401 [50] clause 5.7.2.	M
handoverType	EPShandoverType	1	Identifies the type of handover indicated by the source RAN node to the MME. See TS 36.413 [38] clause 9.3.1.22.	M
handoverCause	EPSRANCause	1	Indicates the cause of handover as seen in the handover request message from MME to gaining RAN node. See TS 36.413 [38] clause 9.2.1.3.	M
sourceToTargetContainer	RANSourceToTargetContainer	1	Provides radio related information via the MME in the handover request from source to gaining RAN node. See TS 36.413 [38] clause 9.2.1.56.	M
cSGInfo	EPSCSGInfo	0..1	Includes information about the current CSG ID and membership information present in a handover request. Shall be present if the CSG ID or CSG Membership Info parameters were sent in the handover request. See TS 36.413 [38] clause 9.1.5.4.	C
targetToSourceContainer	RANTargetToSourceContainer	1	Provides radio related information via the MME in the handover request acknowledge from gaining RAN node to the source. See TS 36.413 [38] clause 9.2.1.57.	M
admittedCSGID	CSGID	0..1	Derived from the CSG Id IE in the handover request acknowledge. See TS 36.413 [38] clause 9.1.5.5.	C
ePSRANUEContext	EPSRANUEContext	1	Includes RAN related information for the UE.	M

6.3.2.2.10 Trace

6.3.2.2.10.1 General

Trace procedures, as defined in TS 32.423 [112], allow for the MME to request trace sessions, including Minimization of Drive Test (MDT) data gathering for a target using UE-associated signalling.

The present clause provides the LI requirements for reporting trace sessions from the IRI-POI in the MME for a target UE.

The following xIRI records are used to report trace related events between the MME and RAN nodes for the target UE when the delivery of location information is not restricted by service scoping:

- MMERANTraceReport

6.3.2.2.10.2 MME RAN trace report

The IRI-POI in the MME shall generate an xIRI containing an MMERANTraceReport record when the IRI-POI present in the MME has detected any of the following events:

- MME sent a TRACE START message to a RAN node in response to a Trace Session Activation message for the target.
- MME received a CELL TRAFFIC TRACE message from the RAN for the target.
- MME sent MDT or trace data to the trace collection entity for the target.
- MME sent a deactivate trace message to the RAN for the target.

Table 6.3.2.2.10.2-1: Payload for MMERANTraceReport record

Field name	Type	Cardinality	Description	M/C/O
userIdentifiers	UserIdentifiers	1	List of identifiers, including the target identifier, associated with the target UE registration stored in the MME context. See TS 23.401 [50] clause 5.7.2.	M
mMEUES1APID	MMEUES1APID	1	Identity that the MME uses to uniquely identify the target UE over the S1 Interface. See TS 36.413 [38] clause 9.2.3.3. This is correlated to the IMSI known in the UE context at the MME.	M
rANUES1APID	RANUES1APID	1	Identity that the MME receives from the eNB uniquely identifying the target UE with the eNB. See TS 36.413 [38] clause 9.2.3.4.	M
traceRecordType	TraceRecordType	1	Identifies the type of trace record being generated. This parameter is populated with either Trace Start, Cell Traffic Trace, Trace Data Delivery, or Trace Deactivation.	M
traceDirection	TraceDirection	1	Identifies which network element is signalling the trace information. This parameter is populated with a choice of either MME or RAN. See TS 36.413 [38] clauses 9.1.11 and 9.1.18.	M
traceActivationInfo	TraceActivationInfo	0..1	Information related to a trace session activation provided from the MME to the NG-RAN node. Shall be populated if the traceRecordType is set to Trace Start. See TS 36.413 [38] clause 9.2.1.4.	C
eUTRANCGI	ECGI	1	Identifies the eUTRAN Cell Global Identifier of the cell performing the UE trace.	M
globalRANNodeID	GlobalRANNodeID	1	Uniquely identifies the RAN node to which the TRACE START message is sent. This is derived from the initial S1 Setup exchange between the RAN node and the MME.	M
traceCollectionEntityInfo	TraceCollectionEntityInfo	0..1	Provides information related to the trace collection entity to which the MME sends the MDT or Trace data of the target. Shall be populated if the Trace Record Type is set to Trace Data Delivery. See TS 36.413 [38] clauses 9.1.18 and 9.2.2.1.	C
mMETraceData	XMLType	0..1	Includes the trace data (in raw XML format) sent from the MME to the trace collection entity. Shall be present when the MME is the trace collection NE. See TS 32.423 [112] clauses 4.18 and 5.2.	C
location	Location	0..1	Provides the current location as known in the UE context at the MME or supplemented by the MDF2.	C

6.3.2.2.11 Service Accept

The IRI-POI in the MME shall generate an xIRI containing an MMEUEServiceAccept record when the IRI-POI is present in the MME detects that the MME considers a service request procedure initiated by the target to be completed successfully (see TS 24.301 [51] clause 5.6.1.4).

Table 6.3.2.2.11-1: Payload for MMEUEServiceAccept record

Field name	Type	Cardinality	Description	M/C/O
userIdentifiers	UserIdentifiers	1	List of identifiers, including the target identifier, associated with the target UE registration stored in the MME context. See TS 23.401 [50] clause 5.7.2.	M
serviceType	OCTET STRING (SIZE (1))	0..1	Indicates the purpose of the service request procedure. Encoded per TS 24.301 [51] clause 9.9.3.27.	C
mTMSI	TMSI	0..1	TMSI value associated with the target within the MME context. Shall be included if known. Encoded per TS 24.501 [13] figure 9.11.3.4.5.	C
cSFBResponse	OCTET STRING (SIZE(1))	0..1	Indicates whether the target UE accepted circuit switched fallback. Shall be present if the CSFB response IE was present in the request that triggered the procedure reported by the xIRI (see TS 24.301 [51] clause 9.9.3.5).	C
uEEPSBearerContextStatus	OCTET STRING (SIZE (2))	0..1	Indicates the state of each EPS bearer context at the target UE. Shall be present if the EPS bearer context status IE was present in the request that triggered the procedure reported by the xIRI (see TS 24.301 [51] clauses 8.2.15 and 8.2.33). Encoded per TS 24.301 [51] clause 9.9.2.1 omitting the first two octets.	C

Field name	Type	Cardinality	Description	M/C/O
uERequestType	MUSIMUERequestType	0..1	Indicates the type of request sent by the UE. Shall be present if the UE request type indication IE was present in the request that initiated the procedure being reported by the xIRI. Encoded per TS 24.301 [51] clause 9.9.3.65.	C
pagingRestriction	PagingRestrictionIndicator	0..1	Indicates the current paging restriction status for the target as known at the MME. Shall be present if the Paging restriction IE was present in the request that initiated the procedure being reported by the xIRI. Encoded per TS 24.301 [51] clause 9.9.3.66 omitting the first two octets.	C
controlPlaneServiceType	OCTET STRING (SIZE (1))	0..1	Indicates the purpose of the control plane service request procedure. Shall be present if the request that initiated the procedure being reported by the xIRI was a Control Plane Service Request. Encoded per TS 24.301 [51] clause 9.9.3.47.	C

6.3.2.2A Definitions for MME message Types

6.3.2.2A.1 Simple data types

Table 6.3.2.2A.1-1: Simple Types for LI reporting of MME Events

Type name	Type definition	Description
MMEUES1APID	INTEGER (0..4294967295)	Identity that the MME uses to uniquely identify the target UE over the S1 Interface. See TS 36.413 [38] clause 9.2.3.3.
RANUES1APID	INTEGER (0..16777215)	Identity that the eNB uses to uniquely identify the target UE over the S1 Interface. See TS 36.413 [38] clause 9.2.3.4.
EPSUENetworkCapability	OCTET STRING (SIZE(2..13))	Contains the target UE network capability information encoded per TS 24.301 [51] clause 9.9.3.34, omitting the first two octets.
EPSUERadioCapability	OCTET STRING	Indicates the radio capabilities of the UE. Encoded per 36.413 [38] clause 9.2.1.27.
EPSNetworkPolicy	OCTET STRING (SIZE(1))	Indicates network policy information to the UE. Encoded per TS 24.301 [38] clause 9.9.3.52.

6.3.2.2A.2 Type: EPSHandoverType

The EPSHandoverType provides information about the type of handover being performed in EPS. Defined in TS 36.413 [38] clause 9.2.1.13.

Table 6.3.2.2A.2-1 contains the details of the EPSHandoverType type.

Table 6.3.2.2A.2-1: Details for EPSHandoverType

Field name	Type	Cardinality	Description	M/C/O
eSHandoverType	ExternalASNTType	1	Indicates the type of handover. The <i>ExternalASNTType.encodedASNValue.alignedPER</i> choice shall be used when populating this type and it shall be populated with the contents of the Cause IE from TS 36.413 [38] clause 9.2.1.13.	M

6.3.2.2A.3 Type: ERABContextList

Table 6.3.2.2A.3-1 contains the details for the ERABContextList type.

Table 6.3.2.2A.3-1: Structure of the ERABContextList type

Type name	Definition	Cardinality	Description
ERABContextList	SEQUENCE OF ERABContext	1..MAX	Contains a list of E-RAB Contexts.

6.3.2.2A.4 Type: ERABContext

Table 6.3.2.2A.4-1 contains the details for the ERABContext type.

Table 6.3.2.2A.4-1: Structure of the ERABContext type

Field name	Type	Cardinality	Description	M/C/O
eRABID	EPSBearerID	1	This element uniquely identifies a radio access bearer for a particular UE, which makes the E-RAB ID unique over one S1 connection. Derived from the E-RAB ID IE, see TS 36.413 [38] clause 9.2.1.2.	M
eRABQoSParameters	ERABQoSParameters	0..1	The QoS parameters to be assigned to an E-RAB. Derived from the E-RAB Level QoS Parameters defined in TS 36.418 [38] clause 9.2.1.15. Shall be present if present in the messages for the procedure that triggered the xIRI or known at the NF context.	C
transportLayerAddress	IPAddr	0..1	The local IP Address assigned to the UE for the E-RAB. See TS 36.418 [38] Clause 9.2.2.1. Shall be present if present in the messages for the procedure that triggered the xIRI or known at the NF context.	C
uLGTPTID	FTEID	0..1	The uplink tunnel information for the E-RAB. See TS 36.418 [38] Clause 9.2.2.2. Shall be present if present in the messages for the procedure that triggered the xIRI or known at the NF context.	C
dLGTPTID	FTEID	0..1	The downlink tunnel information for the E-RAB. See TS 36.418 [38] Clause 9.2.2.2. Shall be present if present in the messages for the procedure that triggered the xIRI or known at the NF context.	C

6.3.2.2A.5 Type: ERABReleaseList

Table 6.3.2.2A.5-1 contains the details for the ERABReleaseList type.

Table 6.3.2.2A.5-1: Structure of the ERABReleaseList type

Type name	Definition	Cardinality	Description
ERABReleaseList	SEQUENCE OF ERABError	1..MAX	Contains a list of E-RABs that are released along with the cause.

6.3.2.2A.6 Type: ERABError

Table 6.3.2.2A.6-1 contains the details for the ERABError type.

Table 6.3.2.2A.6-1: Structure of the ERABError type

Field name	Type	Cardinality	Description	M/C/O
eRABID	EPSBearerID	1	This element uniquely identifies a radio access bearer for a particular UE, which makes the E-RAB ID unique over one S1 connection. Derived from the E-RAB ID IE, see TS 36.413 [38] clause 9.2.1.2.	M
cause	EPSRANCause	1	Indicates the cause of the E-RAB release. Derived from the Cause IE from TS 36.413 [38] clause 9.2.1.3.	M

6.3.2.2A.7 Type: EPSRANCause

Table 6.3.2.2A.7-1: Details for EPSRANCause parameter

Field name	Type	Cardinality	Description	M/C /O
ePSRANCause	ExternalASNType	1	Indicates the cause for the procedure indicated by the RAN or MME. The <i>ExternalASNType.encodedASNValue.alignedPER</i> choice shall be used when populating this type and it shall be populated with the contents of the Cause IE from TS 36.413 [38] clause 9.2.1.3.	M

6.3.2.2A.8 Type: EPSHandoverRestrictionList

This IE is derived from the Handover Restriction List IE defined in TS 36.413 [38] clause 9.2.1.22. This information describes roaming or access restrictions for subsequent mobility of a UE.

Table 6.3.2.2A.8-1 contains the details for the EPSHandoverRestrictionList.

Table 6.3.2.2A.8-1: Structure of the EPSHandoverRestrictionList

Field name	Type	Cardinality	Description	M/C /O
ePSHandoverRestrictionList	ExternalASNType	1	Indicates roaming or access restrictions for subsequent mobility of a UE. The <i>ExternalASNType.encodedASNValue.alignedPER</i> choice shall be used when populating this type and it shall be populated with the contents of the Handover Restriction List IE defined in TS 36.413 [38] clause 9.2.1.22.	M

6.3.2.2A.9 Type: EPSCSGInfo

Table 6.3.2.2A.9-1 contains the details for the EPSCSGInfo type.

Table 6.3.2.2A.9-1: Structure of the EPSCSGInfo type

Field name	Type	Cardinality	Description	M/C /O
cSGID	CSGID	0..1	Indicates the CSG being described.	C
cSGMembershipStatus	CSGMembershipIndication	0..1	Indicates the user's membership status for the indicated CSG. Shall be included if known at the NF where the POI is located.	C

6.3.2.2A.10 Type: EPSProSeAuthorization

Table 6.3.2.2A.10-1 contains the details for the EPSProSeAuthorization type.

Table 6.3.2.2A.10-1: Details for the EPSProSeAuthorization type

Field name	Type	Cardinality	Description	M/C /O
ePSProSeAuthorization	ExternalASNReference	0..1	Indicates EPS ProSe Authorizations for a UE. The <i>ExternalASNType.encodedASNValue.alignedPER</i> choice shall be used when populating this type and it shall be populated with the contents of the ProSe Authorized IE defined in TS 36.413 [38] clause 9.2.1.99.	C

6.3.2.2A.11 Type: EPSSubscriptionBasedUEDifferentiationIndication

Table 6.3.2.2A.11-1 contains the details for the EPSSubscriptionBasedUEDifferentiationIndication type. This information is derived from the Subscription Based UE Differentiation Information IE defined in TS 36.413 [38] clause 9.2.1.140.

Table 6.3.2.2A.11-1: Structure of the EPSSubscriptionBasedUEDifferentiationIndication type

Field name	Type	Cardinality	Description	M/C/O
ePSSubscriptionBasedUEDifferentiationIndication	ExternalASNReference	0..1	Indicates subscription based UE differentiation information for a UE. Shall be present when the Subscription Based UE Differentiation Information IE defined in TS 36.413 [38] clause 9.2.1.140 is present in messages exchanged as part of the procedure that triggered the generation of the xIRI.	C

6.3.2.2A.12 Type: S1Information

Table 6.3.2.2A.12-1 contains the details for the S1Information type. This information is derived from the S1 SETUP REQUEST and S1 SETUP RESPONSE. See TS 36.413 [38] clauses 9.1.8.4 and 9.1.8.5.

Table 6.3.2.2A.12-1: Structure of the S1Information type

Field name	Type	Cardinality	Description	M/C/O
globalRANNodeID	GlobalRANNodeID	0..1	The ID of the RAN Node from which the message was received. Shall be present if known at the NF where the POI is located.	C
rANNodeName	RANNodeName	0..1	The RAN Node Name for the RAN Node from which the message was received. Shall be present if known at the NF where the POI is located.	C
supportedTAList	SupportedTAList	0..1	The list of TALs supported by the RAN Node. Shall be present if known at the NF where the POI is located.	C
cSGIDList	CSGIDList	0..1	A list of the closed subscriber groups supported by the RAN Node. Shall be present if known at the NF where the POI is located.	C
connectedENGNBList	ConnectedENGNBList	0..1	A list of the en-gNBs connected to the RAN Node. Shall be present if known at the NF where the POI is located.	C
mMEServedGUMMEIList	MMEServedGUMMEIList	0..1	A list of the GUMMEIs served by the MME. Shall be present if known at the NF where the POI is located.	C
iABSupported	BOOLEAN	0..1	Indicates whether the MME supports IAB Nodes. Shall be present if known at the NF where the POI is located.	C

6.3.2.2A.13 Type: MMEServedGUMMEIList

Table 6.3.2.2A.13-1 contains the details for the MMEServedGUMMEIList type. This information is derived from the Served GUMMEI List IE of the S1 SETUP RESPONSE. See TS 36.413 [38] clauses 9.1.8.5.

Table 6.3.2.2A.13-1: Structure of the MMEServedGUMMEIList type

Field name	Type	Cardinality	Description	M/C/O
mMEServedGUMMEIList	MMEServedGUMMEI	1..MAX	A list of the GUMMEIs supported by the MME.	M

6.3.2.2A.14 Type: MMEServedGUMMEI

Table 6.3.2.2A.14-1 contains the details for the MMEServedGUMMEI type. This information is derived from the Served GUMMEI List IE of the S1 SETUP RESPONSE. See TS 36.413 [38] clauses 9.1.8.5.

Table 6.3.2.2A.14-1: Structure of the MMEServedGUMMEI type

Field name	Type	Cardinality	Description	M/C /O
servedPLMNs	PLMNSupportList	1	A list of PLMNs served by the MME for the GUMMEI.	M

6.3.2.2A.15 Type: EPSNASTransportInitialInformation

Table 6.3.2.2A.15-1 contains the details for the EPSNASTransportInitialInformation type. This information is derived from information present in the INITIAL UE MESSAGE defined in TS 36.413 [38] clauses 9.1.7.1.

Table 6.3.2.2A.15-1: Structure of the MMEServedGUMMEI type

Field name	Type	Cardinality	Description	M/C /O
rANUES1APID	RANUES1APID	1	Identity that the MME receives from the eNB uniquely identifying the target UE with the eNB. See TS 36.413 [38] clause 9.2.3.4.	M
relayNodeIndicator	BOOLEAN	0..1	Indicates whether the UE is acting as a Relay Node. See TS 36.413 [38] clause 9.2.1.79. Shall be present if the Relay Node Indicator IE is present in the INITIAL UE MESSAGE.	C
bbFTunnelInformation	BBFTunnelInformation	0..1	Indicates HeNB's Local IP Address and, when appropriate UPD Port Numbers, assigned by the broadband access provider. Derived from the Tunnel Information for BBF IE defined in TS 36.413 [38] clause 9.1.7.1. Shall be present if present in the message that triggered the event or known at the NF where the POI is located.	C
eDTSession	BOOLEAN	0..1	Indicates that the session is EDT capable. Shall be present if present in the message that triggered the event or known at the NF where the POI is located.	C
iABNodeIndication	BOOLEAN	0..1	Indicates that the UE is capable of acting as an IAB Node. Shall be present if present in the message that triggered the event or known at the NF where the POI is located.	C
lTENTNTAInformation	LTENTNTAInformation	0..1	Contains information on the PLMN, broadcast TAC and TAC information derived from the UE location in the case of NTN access. Shall be present if the LTE NTN TAI Information (see TS 36.413 [38] clause 9.2.3.56) is present in the message that triggered the event or known at the NF where the POI is located.	C

6.3.2.2A.16 Type: BBFTunnelInformation

Table 6.3.2.2A.16-1 contains the details for the BBFTunnelInformation type. This information is derived from information present in the Tunnel Information IE defined in TS 36.413 [38] clauses 9.2.2.3.

Table 6.3.2.2A.16-1: Structure of the BBFTunnelInformation type

Field name	Type	Cardinality	Description	M/C /O
hENBTransportLayerAddress	IPAddr	1	Indicates the transport layer address of the HeNB.	M
uDPPortNumber	PortNumber	0..1	UDP Port Numbers if NAT/NAPT is deployed in the BBF access network. Shall be present if present in the Tunnel Information IE used to populate this record.	C

6.3.2.2A.17 Type: LTENTNTAllInformation

Table 6.3.2.2A.17-1 contains the details for the LTENTNTAllInformation type. This information is derived from information present in the LTE NTN TAI Information IE defined in see TS 36.413 [38] clause 9.2.3.56.

Table 6.3.2.2A.17-1: Structure of the LTENTNTAllInformation type

Field name	Type	Cardinality	Description	M/C /O
pLMN	PLMN	1	Indicates the serving PLMN for the UE.	M
tACListInLTENTN	TACList	1	Includes all TACs broadcast in the cell for the UE's serving PLMN.	M
uETAC	TAC	0..1	Contains the TAC information derived from the TAC serving the UE's actual location. Shall be present if known.	C

6.3.2.2A.18 Type: EPSRANUEContext

Table 6.3.2.2A.18-1 contains the details for the EPSRANUEContext type. This information is derived from information present in the INITIAL UE CONTEXT SETUP REQUEST IE defined in see TS 36.413 [38] clause 9.1.4.1.

Table 6.3.2.2A.18-1: Structure of the EPSRANUEContext type

Field name	Type	Cardinality	Description	M/C /O
mMEUES1APID	MMEUES1APID	0..1	Identity that the MME uses to uniquely identify the target UE over the S1 Interface. See TS 36.413 [38] clause 9.2.3.3. This is correlated to the IMSI known in the UE context at the MME. Include when sent during the procedure being reported or when known at the NF.	C
rANUES1APID	RANUES1APID	0..1	Identity that the MME receives from the eNB uniquely identifying the target UE with the eNB. See TS 36.413 [38] clause 9.2.3.4. Include when sent during the procedure being reported or when known at the NF.	C
eRABSetupRequest	ERABContextList	0..1	Contains a list of any E-RABs requested for setup. See TS 36.413 [38] clause 9.1.4.1. Include when sent during the procedure being reported or when known at the NF.	C
handoverRestrictionList	EPShandoverRestrictionList	0..1	Provides information on the PLMNs and RAT Type combinations the UE is able to use for reselection. See TS 36.413 [38] clause 9.2.1.22. Include when sent during the procedure being reported or when known at the NF.	C
uERadioCapability	EPSUERadioCapability	0..1	Indicates the radio capabilities of the UE. See TS 36.413 [38] clause 9.2.1.27. Include when sent during the procedure being reported or when known at the NF.	C
rATFrequencySelectionPriority	RATFrequencySelectionPriority	0..1	Indicates the RAT/Frequency priority to define camp priorities in Idle mode and inter-RAT/inter-frequency priorities for handover in Active mode. Encoded per TS 36.413 [38] clause 9.2.1.39.	C
cSFallbackIndicator	EPSCSFallbackIndicator	0..1	Indicates that a fallback to the CS domain is required and the type of fallback requested. See TS 36.413 [38] clause 9.2.3.21.	C
proSeAuthorized	EPSProSeAuthorization	0..1	Provides information on the authorization status of the UE to use proximity services. Include when sent during the procedure being reported or when known at the NF. Derived from the value of the ProSe Authorized IE defined in TS 36.413 [38] clause 9.2.1.99.	C
lteV2XServicesAuthorized	LTEV2XServiceAuthorization	0..1	Provides information on the authorization status of the UE to use V2X services over LTE. Include when sent during the procedure being reported or when known at the NF. Derived from the value of the V2X Services Authorized IE defined in TS 36.413 [38] clause 9.2.1.120.	C
aerialUESubscription	AerialUESubscriptionIndicator	0..1	Provides information on the authorization status of the UE to use aerial UE service. Include when sent during the procedure being reported or when known at the NF. Derived from the value of the aerial UE subscription information IE defined in TS 36.413 [38] clause 9.2.1.136.	C

Field name	Type	Cardinality	Description	M/C/O
subscriptionBasedUEDifferentiationIndication	EPSSubscriptionBasedUEDifferentiationIndication	0..1	Provides information on the periodic communication subscription for a UE. Include when sent during the procedure being reported or when known at the NF. Derived from the value of the Subscription Based UE Differentiation Information IE defined in TS 36.413 [38] clause 9.2.1.140.	C
iABAuthorizedIndicator	IABAuthorizedIndicator	0..1	Provides information on the authorization of a UE to act as an IAB node. Include when during the procedure being reported or when known at the NF. Derived from the value of the IAB Authorized IE defined in TS 36.413 [38] clause 9.2.1.146.	C
nRV2XServicesAuthorization	NRV2XServicesAuthorization	0..1	Provides information on the authorization status of the UE to use V2X services over NR. Include when sent during the procedure being reported or when known at the NF. Derived from the value of the V2X Services Authorized IE defined in TS 36.413 [38] clause 9.2.1.148.	C

6.3.2.2A.19 Enumeration: EPSCSFallbackIndicator

The EPSCSFallbackIndicator indicates that a fallback to the CS domain is required and the type of fallback requested. Derived from the enumerations in TS 36.413 [38] clause 9.2.3.21.

Table 6.3.2.2A.19-1 contains the details of the EPSCSFallbackIndicator type.

Table 6.3.2.2A.19-1: Enumeration for EPSCSFallbackIndicator

Enumeration value	Description
cSFallbackRequired (1)	Fallback to the CS domain is required.
cSFallbackHighPriority (2)	A high priority fallback to the CS domain is required.

6.3.2.3 Generation of IRI over LI_HI2

6.3.2.3.1 General

When Option A or Option B specified in clause 6.3.1 are used and an xIRI is received over LI_X2 from the IRI-POI in the MME, the MDF2 shall generate the corresponding IRI message and deliver it over LI_HI2 without undue delay. The IRI message shall contain a copy of the relevant record received in the xIRI over LI_X2.

When Option C specified in clause 6.3.1 is used the MDF2 shall generate IRI messages based on the proprietary information received from the MME and provide it over LI_HI2 without undue delay.

The IRI record may be enriched with any additional information available at the MDF (e.g. additional location information).

The IRI messages shall be delivered over LI_HI2 according to ETSI TS 102 232-7 [10] clause 10. When Option A specified in clause 6.3.1 is used, LI_HI2 shall be realised as described in clause 6.3.2.3.2.

When Option B or Option C specified in clause 6.3.1 is used, LI_HI2 shall be realised as described in clause 6.3.2.3.3.

6.3.2.3.2 Option A

The IRI message the MDF2 generates shall contain a copy of the relevant record received in the xIRI over LI_X2 and provide it over LI_HI2 without undue delay.

The ETSI TS 102 232-1 [9] @LI-PS-PDU.pSHeader.timeStamp field shall be set to the time at which the MME event was observed (i.e. the timestamp field of the X2 PDU).

The @LI-PS-PDU.payload.iRIPayloadSequence.iRIType (see ETSI TS 102 232-1 [9] clause 5.2.10) shall be included and coded according to table 6.3.2-8.

Table 6.3.2-8: IRI type for IRI messages

IRI message	IRI type
MMEAttach	REPORT
MMEDetach	REPORT
MMELocationUpdate	REPORT
MMEStartOfInterceptionWithEPSAttachedUE	REPORT
MMEUnsuccessfulProcedure	REPORT
MMEIdentifierAssociation	REPORT
MMEPositioningInfoTransfer	REPORT
EPSRANHandoverCommand	REPORT
EPSRANHandoverRequest	REPORT
MMERANTraceReport	REPORT
MMEUEServiceAccept	REPORT

These IRI messages shall omit the CIN (see ETSI TS 102 232-1 [9] clause 5.2.4).

The *@LI-PS-PDU.payload.iRIPayloadSequence.iRIContents.threeGPP33128DefinedIRI* field of the LI_HI2 message shall be populated with the BER-encoded *IRIPayload* as described in in ETSI TS 102 232-7 [10] clause 15.

When an additional warrant is activated on a target UE and the LIPF uses the same XID for the additional warrant, the MDF2 shall be able to generate and deliver the IRI message containing the MMEStartOfInterceptionWithEPSAttachedUE record to the LEMF associated with the additional warrant without receiving a corresponding xIRI. The payload of the MMEStartOfInterceptionWithEPSAttachedUE record is specified in table 6.3.2-6.

For records related to SMS over NAS in EPS, the process detailed in clause 6.3.2.3.3 shall be used.

6.3.2.3.3 Option B and Option C

For all messages except MMEIdentifierAssociation, the IRI messages shall include an IRI payload encoded according to TS 33.108 [12] Annex B.9.

The MDF2 shall encode the correct value of LIID in the IRI message, replacing the value "LIIDNotPresent" given in the xIRI (see clause 6.3.2.2).

For MMEIdentifierAssociation messages, the IRI message shall be encoded as an IRIEvent structure according to Annex B and used to populate the threeGPP33128DefinedIRI field in ETSI TS 102 232-7 [10] clause 15.

6.3.3 LI at SGW/PGW and ePDG

6.3.3.0 General

Unless otherwise specified, the following clauses apply to both CUPS and non-CUPS EPS architectures. When CUPS architecture is used, unless otherwise specified, the term SGW/PGW refers to both the SGW-U/PGW-U and the SGW-C/PGW-C.

Unless otherwise specified, the following clauses apply in the case of EPC-5GC interworking via combined SMF+PGW-C and UPF+PGW-U.

6.3.3.1 Provisioning over LI_X1

6.3.3.1.1 General

If the warrant is for IRI and CC, then the LI functions in the SGW/PGW shall be provisioned in accordance with clause 6.3.3.1.2 for non-CUPS architecture and clause 6.3.3.1.3 for CUPS architecture, the MDF2 shall be provisioned in accordance with clause 6.3.3.1.4, and the MDF3 shall be provisioned in accordance with clause 6.3.3.1.5.

If the warrant is for IRI only, the IRI-POI in the SGW/PGW shall be provisioned in accordance with clause 6.3.3.1.2 for non-CUPS architecture and clause 6.3.3.1.3 for CUPS architecture and the MDF2 shall be provisioned in accordance with clause 6.3.3.1.4. If approach 1 described in clause 6.2.3.9 is used for packet header information reporting:

- For non-CUPS architecture, the IRI-POI in the SGW/PGW shall be provisioned in accordance with clause 6.3.3.1.2 and the MDF2 shall be provisioned in accordance with clause 6.3.3.1.4.
- For CUPS architecture, the IRI-TF in the SGW-C/PGW-c shall be provisioned in accordance with clause 6.3.3.1.3 and the MDF2 shall be provisioned in accordance with clause 6.3.3.1.4.

If approach 2 described in clause 6.2.3.9 is used for packet header information reporting:

- For non-CUPS architecture, the CC-POI in the SGW/PGW shall be provisioned in accordance with clause 6.3.3.1.2, the MDF2 shall be provisioned in accordance with clause 6.3.3.1.4, and the MDF3 shall be provisioned in accordance with clause 6.3.3.1.5.
- For CUPS architecture, the CC-TF in the SGW-C/PGW-C shall be provisioned in accordance with clause 6.3.3.1.3, the MDF2 shall be provisioned in accordance with clause 6.3.3.1.4, and the MDF3 shall be provisioned in accordance with clause 6.3.3.1.5.

The LI functions in the SGW/PGW and ePDG, the MDF2 and the MDF3 shall support the following target identifier formats in the ETSI TS 103 221-1 [7] messages (or equivalent if ETSI TS 103 221-1 [7] is not used):

- IMSI.
- MSISDN (using the E164Number target identifier format from ETSI TS 103 221-1 [7]).
- IMEI.

In the case of EPC-5GC interworking via combined SMF+PGW-C and UPF+PGW-U, the LI functions in the SMF+PGW-C, MDF2 and MDF3 shall support the following target identifier formats in the ETSI TS 103 221-1 [7] messages (or equivalent if ETSI TS 103 221-1 [7] is not used):

- SUPINAI.
- SUPIIMSI.
- IMSI.
- GPSINAI.
- GPSIMSISDN.
- MSISDN (using the E164Number target identifier format from ETSI TS 103 221-1 [7]).
- PEIIMEISV.
- PEIIMEI.
- IMEI.

When the target identifier is an IMSI, the LI functions in the SMF+PGW-C shall also trigger when events associated to a SUPI in the form of an IMSI with a value matching the provisioned IMSI target identifier value are detected. Likewise, when the target identifier is a SUPIIMSI, the LI functions in the SMF+PGW-C shall also trigger when events associated to an IMSI with a value matching the provisioned SUPIIMSI target identifier value are detected.

When the target identifier is an MSISDN, the LI functions in the SMF+PGW-C shall also trigger when events associated to a GPSI in the form of an MSISDN with a value matching the provisioned MSISDN target identifier value are detected. Likewise, when the target identifier is a GPSIMSISDN, the LI functions in the SMF+PGW-C shall also trigger when events associated to an MSISDN with a value matching the provisioned GPSIMSISDN target identifier value are detected.

When the target identifier is an IMEI, the LI functions in the SMF+PGW-C shall also trigger when events associated to a PEI in the form of an IMEI with a value matching the provisioned IMEI target identifier value are detected. Likewise, when the target identifier is a PEIIMEI, the LI functions in the SMF+PGW-C shall also trigger when events associated to an IMEI with a value matching the provisioned PEIIMEI target identifier value are detected.

NOTE: When both a 4G identifier and its equivalent 5G identifier are provisioned by means of separate tasks in the LI functions present in the SMF+PGW-C, interception will be triggered independently for each of the two identifiers.

6.3.3.1.2 Non-CUPS Architecture

When the EPS is implemented using non-CUPS architecture, the IRI-POI and CC-POI present in the SGW/PGW and ePDG are provisioned over LI_X1 by the LIPF using the X1 protocol as described in clause 5.2.2. A single task may be used.

Table 6.3.3.1-1 shows the minimum details of the LI_X1 ActivateTask message used for provisioning the IRI-POI and the CC-POI in the SGW/PGW.

Table 6.3.3.1-1: ActivateTask message for the IRI-POI and CC-POI in the SGW/PGW and ePDG in non-CUPS architecture

ETSI TS 103 221-1 [7] field name	Description	M/C/O
XID	XID assigned by LIPF.	M
TargetIdentifiers	One of the target identifiers listed in the clause above.	M
DeliveryType	Set to "X2Only", "X3Only" or "X2andX3" as needed to meet the requirements of the warrant.	M
ListOfDIDs	Delivery endpoints of LI_X2 or LI_X3. These delivery endpoints shall be configured using the <i>CreateDestination</i> message as described in ETSI TS 103 221-1 [7] clause 6.3.1 prior to first use.	M
TaskDetailsExtensions/ HeaderReporting	Header reporting-specific tag to be carried in the <i>TaskDetailsExtensions</i> field of ETSI TS 103 221-1 [7]. See table 6.2.3.9.2-1. Unless there is a CSP/LEA agreement to not report packet header information, this field shall be present to enable packet header information reporting.	C

To enable packet header information reporting, parameters specified in table 6.2.3.9.2-1: PDHRRReportingExtensions parameters shall be provided as the TaskDetailsExtensions/HeaderReporting field of the LI_X1 provisioning message.

6.3.3.1.3 CUPS Architecture

When the EPS is implemented using CUPS architecture, the IRI-POI, IRI-TF and CC-TF present in the SGW-C/PGW-C and the IRI-POI and CC-POI present in the ePDG are provisioned over LI_X1 by the LIPF using the X1 protocol as described in clause 5.2.2.

Table 6.3.3.1-2 shows the minimum details of the LI_X1 ActivateTask message used for provisioning the IRI-POI, CC-TF and IRI-TF in the SGW-C/PGW-C. If the ePDG is used, the minimum details of the LI_X1 ActivateTask message used for provisioning the IRI-POI and the CC-POI in the ePDG are detailed in Table 6.3.3.1-1.

Table 6.3.3.1-2: ActivateTask message for the IRI-POI, CC-TF and IRI-TF in the SGW-C/PGW-C in CUPS architecture

ETSI TS 103 221-1 [7] field name	Description	M/C/O
XID	XID assigned by LIPF. If the CC-TF or IRI-TF is also being tasked for the same interception, the same XID shall be used.	M
TargetIdentifiers	One or more of the target identifiers listed in clause 6.3.3.1.1.	M
DeliveryType	Set to "X2Only", "X3Only" or "X2andX3" as needed to meet the requirements of the warrant. NOTE: "X2Only" for IRI-POI, IRI-TF and "X3Only" for CC-TF can also be also be used.	M
TaskDetailsExtensions/ HeaderReporting	Header reporting-specific tag to be carried in the <i>TaskDetailsExtensions</i> field of ETSI TS 103 221-1 [7]. See table 6.2.3.9.2-1. Unless there is a CSP/LEA agreement to not report packet header information, this field shall be present to enable packet header information reporting.	C
ListOfDIDs	Delivery endpoints of LI_X2 or LI_X3. These delivery endpoints shall be configured using the <i>CreateDestination</i> message as described in ETSI TS 103 221-1 [7] clause 6.3.1 prior to first use.	M

To enable packet header information reporting, parameters specified in table 6.2.3.9.2-1: PDHRRReportingExtensions parameters shall be provided as the TaskDetailsExtensions/HeaderReporting field of the LI_X1 provisioning message.

6.3.3.1.4 Provisioning of the MDF2

The MDF2 listed as the delivery endpoint for xIRI generated by the IRI-POI in the CP entity of the SGW/PGW or ePDG shall be provisioned over LI_X1 by the LIPF using the X1 protocol as described in clause 5.2.2. Table 6.3.3.1-3 shows the minimum details of the LI_X1 ActivateTask message used for provisioning the MDF2.

Table 6.3.3.1-3: ActivateTask message for MDF2

ETSI TS 103 221-1 [7] field name	Description	M/C/O
XID	XID assigned by LIPF.	M
TargetIdentifiers	One or more of the target identifiers listed in the paragraph above.	M
DeliveryType	Set to "X2Only", "X3Only" or "X2andX3" as needed to meet the requirements of the warrant. (Ignored by the MDF2).	M
TaskDetailsExtensions/ HeaderReporting	Header reporting-specific tag to be carried in the <i>TaskDetailsExtensions</i> field of ETSI TS 103 221-1 [7]. See table 6.2.3.9.2-1. Unless there is a CSP/LEA agreement to not report packet header information, this field shall be present to enable packet header information reporting.	C
ListOfDIDs	Delivery endpoints of LI_HI2. These delivery endpoints shall be configured using the <i>CreateDestination</i> message as described in ETSI TS 103 221-1 [7] clause 6.3.1 prior to first use.	M
ListOfMediationDetails	Sequence of Mediation Details, See Table 6.3.3.1-4.	M

Table 6.3.3.1-4: Mediation Details for MDF2

ETSI TS 103 221-1 [7] field name	Description	M/C/O
LIID	Lawful Intercept ID associated with the task.	M
DeliveryType	Set to "HI2Only".	M
ListOfDIDs	Details of where to send the IRI for this LIID. Shall be included if deviation from the ListofDIDs in the ActivateTask message is necessary. If included, the ListOfDIDs in the Mediation Details shall be used instead of any delivery destinations authorised by the ListOfDIDs field in the ActivateTask Message.	C
ServiceScoping	Shall be included to identify the service(s) and associated service-related delivery settings for this LIID. May include more than one instance of this parameter to allow for different combinations of subparameters associated with a single LIID. This parameter is defined in ETSI TS 103 221-1 [7], Annex C table C.2.	C
MediationDetailsExtensions/ HeaderReporting	Header reporting-specific tag to be carried in the <i>MediationDetailsExtensions</i> field of ETSI TS 103 221-1 [7]. See table 6.2.3.9.2-1. This field shall be included if deviation from the taskDetails HeaderReporting TaskDetailsExtensions is required. If included, the details shall be used instead of the HeaderReporting instructions specified in the HeaderReporting field in the TaskDetails structure.	C

6.3.3.1.5 Provisioning of the MDF3

The MDF3 listed as the delivery endpoint for the xCC generated by the CC-POI in the UP entity of the SGW/PGW or ePDG shall be provisioned over LI_X1 by the LIPF using the X1 protocol as described in clause 5.2.2. Table 6.3.3.1-5 shows the minimum details of the LI_X1 ActivateTask message used for provisioning the MDF3. If packet header reporting is authorised and approach 2 described in clause 6.2.3.9 is used, the endpoint for the MDF3 shall be the MDF2 over LI_MDF.

Table 6.3.3.1-5: ActivateTask message for MDF3

ETSI TS 103 221-1 [7] field name	Description	M/C/O
XID	XID assigned by LIPF.	M
TargetIdentifiers	One or more of the target identifiers listed in the paragraph above.	M
DeliveryType	Set to "X2Only", "X3Only" or "X2andX3" as needed to meet the requirements of the warrant.	M
TaskDetailsExtensions/ HeaderReporting	Header reporting-specific tag to be carried in the <i>TaskDetailsExtensions</i> field of ETSI TS 103 221-1 [7]. See table 6.2.3.9.2-1. Unless there is a CSP/LEA agreement to not report packet header information, this field shall be present to enable packet header information reporting.	C
ListOfDIDs	Delivery endpoints of LI_HI3 or LI_MDF. These delivery endpoints shall be configured using the <i>CreateDestination</i> message as described in ETSI TS 103 221-1 [7] clause 6.3.1 prior to first use.	M
ListOfMediationDetails	Sequence of Mediation Details, See table 6.3.3.1-6.	M

Table 6.3.3.1-6: Mediation Details for MDF3

ETSI TS 103 221-1 [7] field name	Description	M/C/O
LIID	Lawful Intercept ID associated with the task.	M
DeliveryType	Set to "HI3Only".	M
ListOfDIDs	Details of where to send the CC for this LIID. Shall be included if deviation from the ListOfDIDs in the ActivateTask message is necessary. If included, the ListOfDIDs in the Mediation Details shall be used instead of any delivery destinations authorised by the ListOfDIDs field in the ActivateTask Message.	C
ServiceScoping	Shall be included to identify the service(s) and associated service-related delivery settings for this LIID. May include more than one instance of this parameter to allow for different combinations of subparameters associated with a single LIID. This parameter is defined in ETSI TS 103 221-1 [7], Annex C table C.2.	C
MediationDetailsExtensions/ HeaderReporting	Header reporting-specific tag to be carried in the <i>MediationDetailsExtensions</i> field of ETSI TS 103 221-1 [7]. See table 6.2.3.9.2-1. This field shall be included if deviation from the taskDetails HeaderReporting TaskDetailsExtensions is required. If included, the details shall be used instead of the HeaderReporting instructions specified in the HeaderReporting field in the TaskDetails structure.	C

6.3.3.2 Generation of xIRI over LI_X2

6.3.3.2.1 General

When Option A specified in clause 6.3.1 is used:

- For architectures with EPC/5GC interworking:
 - For home routed roaming interception in the visited network, in this version of the specification, the IRI-POI present in the SGW shall be implemented in accordance with Option B or Option C specified in clause 6.3.1.
 - For all other cases, the IRI-POI present in the SMF+PGW-C shall send the xIRIs over LI_X2 for each of the events listed in TS 33.127 [5] clause 6.3.3.3.1.2, as described in clause 6.3.1.
 - As described in TS 23.501 [2] clause 5.32.7.1, a PDN Connection in EPS can be one leg of an MA PDU session. The details of the messages for single-access PDU sessions are provided in clauses 6.3.3.2.2, 6.3.3.2.3, 6.3.3.2.4 and 6.3.3.2.5. The details for the messages for MA PDU sessions are provided in clauses 6.3.3.2.6, 6.3.3.2.7, 6.3.3.2.8 and 6.3.3.2.9.

NOTE: The details of the events triggers used to generate the xIRIs are specified at high-level in support of possible hitherto implementation variations for EPS LI.

When Option B specified in clause 6.3.1 is used:

- The IRI-POI present in the SGW/PGW and ePDG shall send the xIRIs over LI_X2 for each of the events listed in TS 33.107 [36] clause 12.2.1.2, the details of which are specified in clause 12.2.3 of the same TS.

- The IRI-POI present in the SGW/PGW and ePDG shall set the payload format to EpsHI2Operations.EpsIRIContent (value 14), see clause 5.3 and ETSI TS 103 221-2 [8] clause 5.4. The payload field shall contain an EpsHI2Operations.EpsIRIContent structure encoded according to TS 33.108 [12] clauses 10.5 and B.9.
- As the LIID may not be available at the SGW/PGW and ePDG but is mandatory in EpsHI2Operations.EpsIRIContent according to TS 33.108 [12] Annex B.9, its value in the lawfulInterceptionIdentifier field of the encoded PDU shall be set to the fixed string "LIIDNotPresent".

6.3.3.2.2 PDU Session Establishment message reporting PDU session establishment or PDN Connection establishment

The IRI-POI in the SMF+PGW-C shall generate an xIRI containing an SMFSessionEstablishment record (see clause 6.2.3.2.2) when the IRI-POI present in the SMF+PGW-C detects that a single-access PDU Session or PDN Connection has been established for the target UE. The IRI-POI present in the SMF+PGW-C shall generate the xIRI for the following events:

- The SMF+PGW-C creates a new PDN Connection in the target UE context of the SMF+PGW-C (see TS 23.401 [50] clause 5.7.4).
- The SMF+PGW-C creates a new PDU Session context or SM Context for the target UE (see TS 29.502 [16] clause 5.2.2.2 and clause 5.2.2.7).

When the SMFSessionEstablishment record (see clause 6.2.3.2.2) is used to report the creation of a new PDN Connection:

- The ePSPDNConnectionEstablishment field shall be populated with the information in Table 6.3.3-1.
- If there is no SUPI associated to the SM context for the target UE, the SUPI field of the SMFSessionEstablishment record shall be populated with the value of the IMSI from the target UE context.
- If there is no PDU Session ID present in the PCO of the request or response messages or associated to the context for the PDN connection, the pDUSessionID field of the SMFSessionEstablishment record shall be populated with the EBI of the default bearer for the PDN Connection.
- If there is no 5G UP tunnel present in the context associated to the PDN Connection, the gTPTunnelID field of the SMFSessionEstablishment record shall be populated with the F-TEID for the PGW S5 or S8 interface for the default bearer of the PDN Connection.

Table 6.3.3-1: Payload for ePSPDNConnectionEstablishment Field

Field name	Description	M/C/O
ePSSubscriberIDs	EPS Subscriber Identities associated with the PDN connection (e.g. as provided by the MME or SGW in the associated Create Session Request or as associated with the PDN connection in the context known at the NF). The IMSI shall be present except for unauthenticated emergency .	M
iMSIUnauthenticated	Shall be present if an IMSI is present in the ePSSubscriberIDs and set to "true" if the IMSI has not been authenticated, or "false" if it has been authenticated.	C
defaultBearerID	Shall contain the EPS Bearer Identity of the default bearer associated with the PDN connection.	M
gTPTunnelInfo	Contains the information for the Control Plane GTP Tunnels present in the Create Session Request or known in the context at the SGW or PGW. See table 6.2.3-1B.	C
pDNConnectionType	Identifies selected PDN session type, see TS 29.274 [87] clause 8.34.	M
uEEndpoints	UE endpoint address(es) if available. Derived from the PDN Address portion of the PDN Address Allocation parameter (see TS 29.274 [87] clause 8.14) present in the Create Session Request or the IP Address associated to the PDN Connection in the context known at the NF (see TS 23.401 [50] clauses 5.7.3 and 5.7.4).	C
non3GPPAccessEndpoint	UE's local IP address used to reach the ePDG, if present in the Create Session Request (see TS 29.274 [87] clause 7.2.1) or known at the context at the SGW or PGW.	C
location	Location information present in the Create Session Request (see TS 29.274 [87] clause 7.2.1) or known in the context at the SGW or PGW.	C

Field name	Description	M/C/O
additionalLocation	Additional location information present in the Create Session Request, known in the context at the SGW or PGW, or known at the MDF.	C
aPN	Access Point Name associated with the PDN connection present in the Create Session Request (see TS 29.274 [87] clauses 7.2.1 and 8.6) or known at the context at the SGW or PGW (see TS 23.401 [50] clause 5.6.4), as defined in TS 23.003[19] clause 9.1.	M
requestType	Type of request as derived from the Request Type described in TS 24.301 [50] clause 9.9.4.14 and TS 24.008 [95] clause 10.5.6.17, if available.	C
accessType	Access type associated with the PDN connection (i.e. 3GPP or non-3GPP access). Shall be set to nonThreeGPPAccess by the ePDG or by the PGW when the Create Session Request for the PDN connection is received from an ePDG. Shall be set to threeGPPAccess by the SGW or by the PGW when the Create Session Request for the PDN connection is received from an SGW.	C
rATType	RAT Type associated with the PDN connection. Shall be present if included in the Create Session Request (see TS 29.274 [87] clause 7.2.1) or known at the context at the SGW or PGW (see TS 23.401 [50] clause 5.6.4).	C
protocolConfigurationOptions	Shall be present if the Create Session Request or the Create Session Response (see TS 29.274 [87] clauses 7.2.2 and 7.2.3) contains the Protocol Configuration, Additional Protocol Configuration Options or extended Protocol Configuration Options IE. See table 6.3.3-4.	C
servingNetwork	Shall be present if this IE is in the Create Session Request or the context for the PDN connection at the SGW/PGW.	C
sMPDUDNRequest	Contents of the SM PDU DN Request container, if available, as described in TS 24.501 [13] clause 9.11.4.15.	C
bearerContextsCreated	Shall include a list of the Bearer Contexts created sent in the Create Session Response message (see TS 29.274 [87] clause 7.2.2). See table 6.3.3-2.	M
bearerContextsMarkedForRemoval	Shall include a list of the Bearer Contexts to be removed sent in the Create Session Response message (see TS 29.274 [87] clause 7.2.2). See table 6.3.3-3.	C
indicationFlags	Shall be included if the Indication Flags field is present in the Create Session Request (see TS 29.274 [87] clause 7.2.1). The value of this parameter shall be set to the value of the Indication IE (see TS 29.274 [87] clause 8.12) starting with octet 5.	C
handoverIndication	Shall be present if the Handover Indication is set to 1 in the Create Session Request (see TS 29.274 [87] clauses 7.2.1 and 8.12).	C
nBIFOMSupport	Shall be present if the NBIFOM Support Indication is set to 1 in the Create Session Request (see TS 29.274 [87] clauses 7.2.1 and 8.12).	C
fiveGSInterworkingInfo	Shall be present if the 5GS Interworking Indication is present in the Create Session Request (see TS 29.274 [87] clauses 7.2.1 and 8.12). See table 6.3.3-5.	C
cSRMFI	Shall be present if the Create Session Request Message Forwarded Indication (CSRMFI) is present in the Create Session Request (see TS 29.274 [87] clauses 7.2.1 and 8.12). Indicates the Create Session Request message has been forwarded by a PGW.	C
restorationOfPDNConnectionsSupport	Shall be present if the Restoration of PDN connection after an PGW-C/SMF Change Support Indication is present in the Create Session Request (see TS 29.274 [87] clauses 7.2.1 and 8.12).	C
pGWChangeIndication	Shall be present if the PGW Change Indication is present in the Create Session Request (see TS 29.274 [87] clauses 7.2.1 and 8.12).	C
pGWRNSI	Shall be present if the PGW Redirection due to mismatch with Network Slice subscribed by the UE Support Indication is present in the Create Session Request (see TS 29.274 [87] clauses 7.2.1 and 8.12).	C

Table 6.3.3-2: Payload for bearerContextsCreated Field

Field name	Description	M/C/O
ePSBearerID	Shall include the EPS bearer ID for the EPS Bearer (See TS 29.274 [87] clauses 7.2.2 and 7.2.4).	M
cause	Shall indicate whether the bearer handling was successful and if not, it gives information on the reason (see TS 29.274 [87] clauses 7.2.2 and 7.2.4). Sent as an integer cause value (see TS 29.274 [87] table 8.4-1)	M
gTPTunnelInfo	Contains the information for the User Plane GTP Tunnels for the bearer context if present in the Request or Response (see TS 29.274 [87] clauses 7.2.2, 7.2.4 and 8.15) or known at the context at the SGW or PGW (see TS 23.401 [50] clause 5.6.4). See table 6.2.3-1B.	C
bearerQOS	Shall include the QOS information for the bearer, if present in the Request or Response (see TS 29.274 [87] clauses 7.2.2, 7.2.15 and 8.15) or known at the context at the SGW or PGW (see TS 23.401 [50] clause 5.6.4). See table 6.3.3-7.	C
protocolConfigurationOptions	Shall be present if the Bearer Context reported (see TS 29.274 [87] clauses 7.2.2, 7.2.3, and 7.2.4) contains the Protocol Configuration, Additional Protocol Configuration Options or extended Protocol Configuration Options IE. See table 7.6.3.3-4.	C

Table 6.3.3-3: Payload for bearerContextsMarkedForRemoval Field

Field name	Description	M/C/O
ePSBearerID	Shall include the EPS bearer ID for the EPS Bearer (See TS 29.274 [87] clauses 7.2.2, 7.2.8 and 7.2.10).	M
cause	Shall indicate whether the bearer handling was successful and if not, it gives information on the reason (see TS 29.274 [87] clauses 7.2.2, 7.2.8 and 7.2.10).	M

Table 6.3.3-4: Payload for protocolConfigurationOptions Field

Field name	Description	M/C/O
requestPCO	Shall be present if the Protocol Configuration Options IE is present in the request message. The value of this parameter shall contain a copy of the value field of the PCO IE of the request message (see TS 29.274 [87] clause 8.13 starting with octet 5).	C
requestAPCO	Shall be present if the Additional Protocol Configuration Options IE is present in the request message. The value of this parameter shall contain a copy of the value field of the PCO IE of the request message (see TS 29.274 [87] clause 8.94 starting with octet 5).	C
requestEPCO	Shall be present if the Extended Protocol Configuration Options IE is present in the request message. The value of this parameter shall contain a copy of the value field of the PCO IE of the request message (see TS 29.274 [87] clause 8.128 starting with octet 5).	C
responsePCO	Shall be present if the Protocol Configuration Options IE is present in the response message. The value of this parameter shall contain a copy of the value field of the PCO IE of the response message (see TS 29.274 [87] clause 8.13 starting with octet 5).	C
responseAPCO	Shall be present if the Additional Protocol Configuration Options IE is present in the response message. The value of this parameter shall contain a copy of the value field of the PCO IE of the response message (see TS 29.274 [87] clause 8.94 starting with octet 5).	C
responseEPCO	Shall be present if the Extended Protocol Configuration Options IE is present in the response message. The value of this parameter shall contain a copy of the value field of the PCO IE of the response message (see TS 29.274 [87] clause 8.128 starting with octet 5).	C

Table 6.3.3-5: Payload for fiveGSInterworkingInfo Field

Field name	Description	M/C/O
fiveGSInterworkingIndicator	Shall be set to TRUE if the 5GSIWKI flag in the Indication IE of the request or response is set to 1. Indicates that the UE supports N1 mode and the PDN	M

	connection is not restricted from interworking by the 5GS user subscription. See TS 29.274 [87] clauses 7.2.1 and 8.12.	
fiveGSInterworkingWithoutN26	Shall be set to TRUE if the 5GS Interworking without N26 Indication flag in the Indication IE of the request or response is set to 1. If the 5GS Interworking without N26 Indication flag in the Indication IE of the request or response is set to 0 or not present, this parameter shall be set to FALSE. See TS 29.274 [87] clauses 7.2.1 and 8.12.	M
fiveGCNotRestrictedSupport	Shall be set to TRUE if the 5GCNRS (5GC Not Restricted Support) flag in the Indication IE of the request or response is set to 1. If the 5GCNRS flag in the Indication IE of the request or response is set to 0 or not present, this parameter shall be set to FALSE. See TS 29.274 [87] clauses 7.2.1 and 8.12.	M

Table 6.3.3-6: Payload for ePSGTP tunnels Field

Field name	Description	M/C/O
controlPlaneSenderFTEID	Shall include the Sender F-TEID for the control plane if present in the Request or response (see TS 29.274 [87] clauses 7.2.1, 7.2.2, 7.2.3, 7.2.4, 7.2.7, 7.2.8, 7.2.15, 7.2.16) or known in the context at the SGW or PGW.	C
controlPlanePGWS5S8FTEID	Shall include the PGW F-TEID for the control plane if present in the Request or response (see TS 29.274 [87] clauses 7.2.1, 7.2.2, 7.2.3, 7.2.4, 7.2.7, 7.2.8, 7.2.15, 7.2.16) or known in the context at the SGW or PGW.	C
s1UeNodeBFTEID	Shall include the F-TEID for the eNodeB S1-U interface for the bearer if present in the Request or response (see TS 29.274 [87] clauses 7.2.1, 7.2.2, 7.2.3, 7.2.4, 7.2.7, 7.2.8, 7.2.15, 7.2.16) or known in the context at the SGW or PGW.	C
s5S8SGWFTEID	Shall include the F-TEID for the SGW S5 or S8 interface for the bearer if present in the Request or response (see TS 29.274 [87] clauses 7.2.1, 7.2.2, 7.2.3, 7.2.4, 7.2.7, 7.2.8, 7.2.15, 7.2.16) or known in the context at the SGW or PGW.	C
s5S8PGWFTEID	Shall include the F-TEID for the PGW S5 or S8 interface for the bearer if present in the Request or response (see TS 29.274 [87] clauses 7.2.1, 7.2.2, 7.2.3, 7.2.4, 7.2.7, 7.2.8, 7.2.15, 7.2.16) or known in the context at the SGW or PGW.	C
s2bUePDGFTEID	Shall include the F-TEID for the ePDG on the S2b-U interface for the bearer if present in the Request or response (see TS 29.274 [87] clauses 7.2.1, 7.2.2, 7.2.3, 7.2.4, 7.2.7, 7.2.8, 7.2.15, 7.2.16) or known in the context at the PGW or ePDG.	C
s2aUePDGFTEID	Shall include the F-TEID for the ePDG on the S2a-U interface for the bearer if present in the Request or response (see TS 29.274 [87] clauses 7.2.1, 7.2.2, 7.2.3, 7.2.4, 7.2.7, 7.2.8, 7.2.15, 7.2.16) or known in the context at the PGW or ePDG.	C

Table 6.3.3-7: Payload for bearerQOS Field

Field name	Description	M/C/O
qCI	Shall include the QCI for the bearer if present in the Request or response (see TS 29.274 [87] clauses 7.2.1, 7.2.2, 7.2.3 and 7.2.15), or known in the context at the SGW or PGW.	C
maximumUplinkBitRate	Shall include the maximum uplink bitrate encoded as kilobits per second in binary value (see TS 29.274 [87] clause 8.15) if present in the Request or response (see TS 29.274 [87] clauses 7.2.1, 7.2.2, 7.2.3 and 7.2.15), or known in the context at the SGW or PGW.	C
maximumDownlinkBitRate	Shall include the maximum downlink bitrate encoded as kilobits per second in binary value (see TS 29.274 [87] clause 8.15) if present in the Request or response (see TS 29.274 [87] clauses 7.2.1, 7.2.2, 7.2.3 and 7.2.15), or known in the context at the SGW or PGW.	C
guaranteedUplinkBitRate	Shall include the guaranteed uplink bitrate encoded as kilobits per second in binary value (see TS 29.274 [87] clause 8.15) if present in the Request or response (see TS 29.274 [87] clauses 7.2.1, 7.2.2, 7.2.3 and 7.2.15), or known in the context at the SGW or PGW.	C
guaranteedDownlinkBitRate	Shall include the guaranteed downlink bitrate encoded as kilobits per second in binary value (see TS 29.274 [87] clause 8.15) if present in the Request or response (see TS 29.274 [87] clauses 7.2.1, 7.2.2, 7.2.3 and 7.2.15), or known in the context at the SGW or PGW.	C
priorityLevel	Shall include the priority level assigned to the bearer as an integer value (see TS 29.274 [87] clause 8.15) if present in the Request or response (see TS 29.274 [87] clauses 7.2.1, 7.2.2, 7.2.3 and 7.2.15), or known in the context at the SGW or PGW.	C

6.3.3.2.3 PDU Session Modification message reporting PDU session modification, PDN Connection modification or inter-system handover

The IRI-POI in the SMF+PGW-C shall generate an xIRI containing an SMF PDUSessionModification record (see clause 6.2.3.2.3) when the IRI-POI present in the SMF+PGW-C detects that a single-access PDU Session or PDN Connection has been modified for the target UE. The IRI-POI present in the SMF+PGW-C shall generate the xIRI for the following events:

- The SMF+PGW-C modifies an existing PDN Connection in the target UE context of the SMF+PGW-C (see TS 23.401 [50] clause 5.7.4).
- The SMF+PGW-C modifies an existing PDU Session context or SM Context for the target UE (see TS 29.502 [16] clauses 5.2.2.3 and 5.2.2.8).
- The SMF+PGW-C transfers an existing PDU Session to EPS (see TS 23.502 [4] clauses 4.11.1.2.1 and 4.11.2.2).
- The SMF+PGW-C transfers an existing PDN Connection to 5GS (see TS 23.502 [4] clauses 4.11.1.2.2 and 4.11.2.3).

When the SMF PDUSessionModification record (see clause 6.2.3.2.3) is used to report the modification of a PDN Connection:

- The ePSPDNConnectionModification field shall be populated with the information in table 6.3.3-8.
- If there is no SUPI associated to the SM context for the target UE, the SUPI field of the SMF PDUSessionModification record shall be populated with the value of the IMSI from the target UE context.
- If there is no PDU Session ID present in the PCO of the request or response messages or associated to the context for the PDN connection, the pDUSessionID field of the SMF PDUSessionModification record shall be populated with the EBI of the default bearer for the PDN Connection.
- If there is no 5G UP tunnel present in the context associated to the PDN Connection, the gTPTunnelID field of the SMF PDUSessionModification record shall be populated with the F-TEID for the PGW S5 or S8 interface for the default bearer of the PDN Connection.

Table 6.3.3-8: Payload for ePSPDNConnectionModification parameter

Field name	Type	Cardinality	Description	M/C/O
ePSSubscriberIDs	EPSSubscriberIDs	1	EPS Subscriber Identities associated with the PDN connection (e.g. as provided by the MME or SGW in the associated network message or as associated with the PDN connection in the context known at the NF). The IMSI shall be present except for unauthenticated emergency .	M
iMSIUnauthenticated	IMSIUnauthenticatedIndication	0..1	Shall be present if an IMSI is present in the ePSSubscriberIDs and set to "true" if the IMSI has not been authenticated, or "false" if it has been authenticated.	C
defaultBearerID	EPSBearerID	1	Shall contain the EPS Bearer Identity of the default bearer associated with the PDN connection.	M
gTPTunnelInfo	GTPTunnelInfo	0..1	Contains the information for the Control Plane GTP Tunnels present in the network message or known in the context at the SGW or PGW. See table 6.2.3-1B. If the gTPTunnelInfo received in the network message is different than the gTPTunnelInfo in the context for the PDN Connection, this message shall be populated with the new information.	C
pDNConnectionType	PDNConnectionType	1	Identifies selected PDN session type, see TS 29.274 [13] clause 8.34.	M
uEEndpoints	SEQUENCE OF UEEndpointAddress	0..MAX	UE endpoint address(es) if available. Derived from the PDN Address portion of the PDN Address Allocation parameter (see TS 29.274 [87] clause 8.14) present in the network message or the IP Address associated to the PDN Connection in the context known at the NF (see TS 23.401 [50] clauses 5.7.3 and 5.7.4).	C
non3GPPAccessEndpoint	UEEndpointAddress	0..1	UE's local IP address used to reach the ePDG, if present in the network message (see TS 29.274 [87] clauses 7.2.4, 7.2.7 and 7.2.16) or known at the context at the SGW or PGW.	C
location	Location	0..1	Location information present in the network message (see TS 29.274 [87] clause 8.21) or known in the context at the SGW or PGW.	C
additionalLocation	Location	0..1	Additional location information present in the network message, known in the context at the SGW or PGW, or known at the MDF.	C
aPN	APN	1	Access Point Name associated with the PDN connection present in the network message (see TS 29.274 [87] clause 8.6) or known at the context at the SGW or PGW (see TS 23.401 [50] clause 5.6.4), as defined in TS 23.003[19] clause 9.1.	M
requestType	EPSPDNConnectionRequestType	0..1	Type of request as derived from the Request Type described in TS 24.301 [50] clause 9.9.4.14 and TS 24.008 [95] clause 10.5.6.17, if available.	C
accessType	AccessType	0..1	Access type associated with the PDN connection (i.e. 3GPP or non-3GPP access).	C
rATType	RATType	0..1	RAT Type associated with the PDN connection. Shall be present if included in the network message (see TS 29.274 [87] clauses 7.2.3, 7.2.4, 7.2.7, 7.2.8, 7.2.9, 7.2.10, 7.2.15 and 7.2.16) or known at the context at the SGW or PGW (see TS 23.401 [50] clause 5.6.4).	C
protocolConfigurationOptions	PDNProtocolConfigurationOptions	0..1	Shall be present if the network message (see TS 29.274 [87]) contains the Protocol Configuration Options, Additional Protocol Configuration Options or extended Protocol Configuration Options IE. See table 6.3.3-4.	C
servingNetwork	SMFServingNetwork	0..1	Shall be present if this IE is in the network message or the context for the PDN connection at the SGW/PGW.	C
sMPDUDNRequest	SMPDUDNRequest	0..1	Contents of the SM PDU DN Request container, if available, as described in TS 24.501 [13] clause 9.11.4.15.	C
bearerContextsCreated	SEQUENCE OF EPSBearerContextCreated	0..MAX	Shall include a list of the Bearer Contexts created if the event that resulted in the generation of the message was the activation of a dedicated Bearer. Shall contain the contents of the Bearer Context field of the Create Bearer Response message (see TS 29.274 [87] clause 7.2.4). See table 6.3.3-2.	C

Field name	Type	Cardinality	Description	M/C/O
bearerContextsModified	SEQUENCE OF EPSBearerContextModified	1..MAX	If the event that resulted in the generation of the message was the modification of an existing bearer, shall be populated from the contents of the Bearer Contexts Modified field of the Modify Bearer Response message (see TS 29.274 [87] clause 7.2.8) or the Bearer Contexts within the Update Bearer Response message (see TS 29.274 [87] clause 7.2.16). If the event that resulted in the generation of the message was the establishment or release of a dedicated bearer context, then this field shall be populated with the information for the default bearer. See table 6.3.3-9.	M
bearerContextsMarkedForRemoval	SEQUENCE OF EPSBearerContextForRemoval	0..MAX	Shall include a list of the Bearer Contexts to be removed if the event that resulted in the generation of the message included the removal of an existing bearer. (see TS 29.274 [87] clause 7.2.8 and 7.2.10). See table 6.3.3-3.	C
bearersDeleted	SEQUENCE OF EPSBearersDeleted	0..MAX	Shall include a list of the Bearers to be deleted if the event that resulted in the generation of the message included a Delete Bearer Request or Response. (see TS 29.274 [87] clauses 7.2.9 and 7.2.10). See table 6.3.3-10	C
indicationFlags	PDNConnectionIndicationFlags	0..1	Shall be included if the Indication Flags field is present in the network message (see TS 29.274 [87] clauses 7.2.3, 7.2.4, 7.2.7, 7.2.8, 7.2.9, 7.2.10, 7.2.15 and 7.2.16). The value of this parameter shall be set to the value of the Indication IE (see TS 29.274 [87] clause 8.12) starting with octet 5.	C
handoverIndication	PDNHandoverIndication	0..1	Shall be present if the Handover Indication is set to 1 in the Modify Bearer Request (see TS 29.274 [87] clauses 7.2.7 and 8.12).	C
nBIFOMSupport	PDNNBIFOMSupport	0..1	Shall be present if the NBIFOM Support Indication is set to 1 in the message that triggered the generation of the xIRI or known at the context (see TS 29.274 [87] clauses 7.2.1, 7.2.7 and 8.12).	C
fiveGSInterworkingInfo	FiveGSInterworkingInfo	0..1	Shall be present if the 5GS Interworking Indication is present in the Create Session Request (see TS 29.274 [87] clauses 7.2.1 and 8.12). See table 6.3.3-5.	C
cSRMFI	CSRMFI	0..1	Shall be present if the Create Session Request Message Forwarded Indication (CSRMFI) is present in the Create Session Request (see TS 29.274 [87] clauses 7.2.1 and 8.12). Indicates the Create Session Request message has been forwarded by a PGW.	C
restorationOfPDNConnectionsSupport	RestorationOfPDNConnectionsSupport	0..1	Shall be present if the Restoration of PDN connection after an PGW-C/SMF Change Support Indication is present in the message that triggered the generation of the xIRI or known at the context (see TS 29.274 [87] clauses 7.2.1, 7.2.7 and 8.12).	C
pGWChangeIndication	PGWChangeIndication	0..1	Shall be present if the PGW Change Indication is present in the Create Session Request (see TS 29.274 [87] clauses 7.2.1 and 8.12).	C
pGWRNSI	PGWRNSI	0..1	Shall be present if the PGW Redirection due to mismatch with Network Slice subscribed by the UE Support Indication is present in the Create Session Request (see TS 29.274 [87] clauses 7.2.1 and 8.12).	C

Table 6.3.3-9: Structure of the EPSBearerContextModified type

Field name	Type	Cardinality	Description	M/C/O
ePSBearerID	EPSBearerID	1	Shall include the EPS bearer ID for the EPS Bearer (see TS 29.274 [87] clauses 7.2.7, 7.2.8, 7.2.15 and 7.2.16).	M
cause	EPSBearerModificationCauseValue	1	Shall indicate whether the bearer handling was successful and if not, it gives information on the reason (see TS 29.274 [87] clauses 7.2.7, 7.2.8, 7.2.15 and 7.2.16). Sent as an integer cause value (see TS 29.274 [87] table 8.4-1)	M
gTPTunnellInfo	GTPTunnellInfo	0..1	Contains the information for the User Plane GTP Tunnels for the bearer context if present in the Request or Response (see TS 29.274 [87] clauses 7.2.7, 7.2.8, 7.2.15, 7.2.16 and 8.15) or known at the context at the SGW or PGW (see TS 23.401 [50] clause 5.6.4). See table 6.2.3-1B.	C
bearerQOS	EPSBearerQOS	0..1	Shall include the QOS information for the bearer if present in the Request or Response (see TS 29.274 [87] clauses 7.2.7, 7.2.8, 7.2.15, 7.2.16 and 8.15) or known at the context at the SGW or PGW (see TS 23.401 [50] clause 5.6.4). See table 6.3.3-7.	C
protocolConfigurationOptions	PDNProtocolConfigurationOptions	0..1	Shall be present if the Bearer Context reported (see TS 29.274 [87] clauses 7.2.7, 7.2.8, 7.2.15, 7.2.16 and 8.15) contains the Protocol Configuration, Additional Protocol Configuration Options or extended Protocol Configuration Options IE. See table 6.3.3-4.	C
linkedEPSBearerIDs	SEQUENCE OF EPSBearerID	0..MAX	Shall be present if there are any linked EPS bearers. If the bearer context reported is the default bearer, then this list shall be populated with all dedicated bearers linked to that default bearer. If the bearer being reported is a dedicated bearer, then this field shall be populated with the default bearer.	C

Table 6.3.3-10: Structure of the EPSBearersDeleted type

Field name	Type	Cardinality	Description	M/C/O
linkedEPSBearerID	EPSBearerID	0..1	Shall include the EBI for the default bearer associated with the PDN being disconnected if all bearers belonging to a PDN connection are being released (see TS 29.274 [87] clause 7.2.9).	C
ePSBearerIDs	SEQUENCE OF EPSBearerID	0..MAX	Shall include a list of the EPS Bearer IDs to be deleted if only some of the EPS Bearers belonging to a PDN Connection are being released (see TS 29.274 [87] clause 7.2.9).	C
protocolConfigurationOptions	PDNProtocolConfigurationOptions	0..1	Shall be present if the Delete Bearer Request or Response reported (see TS 29.274 [87] clauses 7.2.9) contains the Protocol Configuration, Additional Protocol Configuration Options or extended Protocol Configuration Options IE. See table 6.3.3-4.	C
cause	EPSBearerDeletionCauseValue	0..1	Shall indicate the reason the EPS Bearers are being deleted (see TS 29.274 [87] clause 7.2.9). Sent as an integer cause value (see TS 29.274 [87] table 8.4-1)	C
deleteBearerResponse	EPSDeleteBearerResponse	1	Shall contain information from the Delete Bearer Response (see TS 29.274[87] clause 7.2.10). See table 6.3.3-11.	M

Table 6.3.3-11: Structure of the EPSDeleteBearerResponse type

Field name	Type	Cardinality	Description	M/C/O
cause	EPSBearerDeletionCauseValue	1	Indicates whether the bearers requested for deletion were successfully deleted (see TS 29.274 [87] clause 7.2.10).	M
linkedEPSBearerID	EPSBearerID	0..1	Shall include the EBI for the default bearer associated with the PDN being disconnected if all bearers belonging to a PDN connection are being released (see TS 29.274 [87] clause 7.2.10).	C
bearerContexts	SEQUENCE OF EPSDeleteBearerContext	0..MAX	Shall include a list of the EPS Bearer Contexts requested for deletion along with details on whether they were successfully deleted. Shall be included if only some of the EPS Bearers belonging to a PDN Connection are being released (see TS 29.274 [87] clause 7.2.10). See table 6.3.3-12.	C
protocolConfigurationOptions	PDNProtocolConfigurationOptions	0..1	Shall be present if the Delete Bearer Request or Response reported (see TS 29.274 [87] clauses 7.2.9) contains the Protocol Configuration, Additional Protocol Configuration Options or extended Protocol Configuration Options IE. See table 6.3.3-4.	C

Table 6.3.3-12: Structure of the EPSDeleteBearerContext type

Field name	Type	Cardinality	Description	M/C/O
cause	EPSBearerDeletionCauseValue	1	Indicates whether the bearers requested for deletion were successfully deleted (see TS 29.274 [87] clause 7.2.10).	M
ePSBearerID	EPSBearerID	1	Shall include the EBI for the bearer (see TS 29.274 [87] clause 7.2.10).	M
protocolConfigurationOptions	PDNProtocolConfigurationOptions	0..1	Shall be present if the Delete Bearer Request or Response reported (see TS 29.274 [87] clauses 7.2.9) contains the Protocol Configuration, Additional Protocol Configuration Options or extended Protocol Configuration Options IE. See table 6.3.3-4.	C
rANNASCause	EPSRANNASCause	0..1	Shall be present if the RAN/NAS Release Cause is present in the delete session response bearer context (see TS 29.274 [87] clause 7.2.10). Shall be sent as an Octet String encoded as specified in TS 29.274 [87] clause 8.103.	C

6.3.3.2.4 PDU Session Release message reporting PDU session release, PDN Connection release

The IRI-POI in the SMF+PGW-C shall generate an xIRI containing an SMFPDUSessionRelease record (see clause 6.2.3.2.4) when the IRI-POI present in the SMF+PGW-C detects that a single-access PDU Session or PDN Connection has been released for the target UE. The IRI-POI present in the SMF+PGW-C shall generate the xIRI for the following events:

- The SMF+PGW-C releases an existing PDN Connection in the target UE context of the SMF+PGW-C (see TS 23.401 [50] clause 5.7.4).
- The SMF+PGW-C releases an existing PDU Session context or SM Context for the target UE (see TS 29.502 [16] clause 5.2.2.4 and clause 5.2.2.9).

When the SMFPDUSessionRelease record (see clause 6.2.3.2.4) is used to report the release of a PDN Connection:

- The eSPDNConnectionRelease field shall be populated with the information in Table 6.3.3-13.
- If there is no SUPI associated to the SM context for the target UE, the SUPI field of the SMFPDUSessionRelease record shall be populated with the value of the IMSI from the target UE context.
- If there is no PDU Session ID present in the PCO of the request or response messages or associated to the context for the PDN connection, the pDUSessionID field of the SMFPDUSessionRelease record shall be populated with the EBI of the default bearer for the PDN Connection.

- If there is no 5G UP tunnel present in the context associated to the PDN Connection, the gTPTunnelID field of the SMF PDUSessionRelease record shall be populated with the F-TEID for the PGW S5 or S8 interface for the default bearer of the PDN Connection.

Table 6.3.3-13: Payload for ePSPDNConnectionRelease field

Field name	Description	M/C/O
ePSSubscriberIDs	EPS Subscriber Identities associated with the PDN connection (e.g. as provided by the MME or SGW in the associated network message or as associated with the PDN connection in the context known at the NF). The IMSI shall be present except for unauthenticated emergency .	M
iMSIUnauthenticated	Shall be present if an IMSI is present in the ePSSubscriberIDs and set to "true" if the IMSI has not been authenticated, or "false" if it has been authenticated.	C
defaultBearerID	Shall contain the EPS Bearer Identity of the default bearer associated with the PDN connection.	M
location	Location information present in the network message (see TS 29.274 [87] clause 8.21) or known in the context at the SGW or PGW.	C
gTPTunnelInfo	Contains the information for the Control Plane GTP Tunnels present in the network message or known in the context at the SGW or PGW. See Table 6.2.3-1B. If the gTPTunnelInfo received in the network message is different than the gTPTunnelInfo in the context for the PDN Connection, this message shall be populated with the new information.	C
rANNASCause	Shall be present if the RAN/NAS Release Cause is present in the delete session request (see TS 29.274 [87] clause 7.2.9).	C
pDNConnectionType	Identifies selected PDN session type, see TS 29.274 [13] clause 8.34.	M
indicationFlags	Shall be included if the Indication Flags field is present in the network message (see TS 29.274 [87] clauses 7.2.3, 7.2.4, 7.2.7, 7.2.8, 7.2.9, 7.2.10, 7.2.15 and 7.2.16). The value of this parameter shall be set to the value of the Indication IE (see TS 29.274 [87] clause 8.12) starting with octet 5.	C
scopeIndication	This flag shall be present and set to True, if the request corresponds to TAU/RAU/Handover with SGW change/SRNS Relocation Cancel Using S4 with SGW change, Inter RAT handover Cancel procedure with SGW change, S1 Based handover Cancel procedure with SGW change. If this parameter is absent, it shall be interpreted as False.	C
bearersDeleted	Shall include a list of the Bearers to be deleted if the event that resulted in the generation of the message included a Delete Bearer Request or Response. (see TS 29.274 [87] clauses 7.2.9 and 7.2.10). See Table 6.3.3-10	C

6.3.3.2.5 SMF Start of Interception with Already Established PDU Session message reporting Start of Interception with Already Established PDU Session or Start of Interception with Already Established PDN Connection

The IRI-POI in the SMF+PGW-C shall generate an xIRI containing an SMFStartOfInterceptionWithEstablishedPDUSession record (see clause 6.2.3.2.5) when the IRI-POI present in the SMF+PGW-C detects that a single-access PDU Session or PDN Connection has already been established for the target UE when interception starts. The IRI-POI present in the SMF+PGW-C shall generate the xIRI for the following events:

- The SMF+PGW-C has an existing PDN Connection in the target UE context of the SMF+PGW-C (see TS 23.401 [50] clause 5.7.4).
- The SMF+PGW-C has an existing PDU Session context or SM Context for the target UE (see TS 29.502 [16] clause 5.2.2.2 and clause 5.2.2.7).

When the SMFStartOfInterceptionWithEstablishedPDUSession record (see clause 6.2.3.2.5) is used to report an existing PDN Connection:

- The ePSSStartOfInterceptionWithEstablishedPDNConnection field shall be populated with the information in Table 6.3.3-14.

- If there is no SUPI associated to the SM context for the target UE, the SUPI field of the SMFStartOfInterceptionWithEstablishedPDUSession record shall be populated with the value of the IMSI from the target UE context.
- If there is no PDU Session ID associated to the context for the PDN connection, the pDUSessionID field of the SMFStartOfInterceptionWithEstablishedPDUSession record shall be populated with the EBI of the default bearer for the PDN Connection.
- If there is no 5G UP tunnel present in the context associated to the PDN Connection, the gTPTunnelID field of the SMFStartOfInterceptionWithEstablishedPDNConnection record shall be populated with the F-TEID for the PGW S5 or S8 interface for the default bearer of the PDN Connection.

Table 6.3.3-14: Payload for ePSSStartOfInterceptionWithEstablishedPDNConnection field

Field name	Description	M/C/O
ePSSsubscriberIDs	EPS Subscriber Identities associated with the PDN connection (as associated with the PDN connection in the context known at the NF). The IMSI shall be present except for unauthenticated emergency sessions.	M
IMSIUnauthenticated	Shall be present if an IMSI is present in the ePSSsubscriberIDs and set to "true" if the IMSI has not been authenticated, or "false" if it has been authenticated.	C
defaultBearerID	Shall contain the EPS Bearer Identity of the default bearer associated with the PDN connection.	M
gTPTunnelInfo	Contains the information for the Control Plane GTP Tunnels known in the context at the SGW or PGW. See Table 6.2.3-1B.	C
pDNConnectionType	Identifies selected PDN session type, see TS 29.274 [87] clause 8.34.	M
uEEndpoints	UE endpoint address(es) if available. Derived from the PDN Address portion of the PDN Address Allocation parameter (see TS 29.274 [87] clause 8.14) associated to the PDN Connection in the context known at the NF (see TS 23.401 [50] clauses 5.7.3 and 5.7.4).	C
non3GPPAccessEndpoint	UE's local IP address used to reach the ePDG, if known at the context at the SGW or PGW.	C
location	Location information known in the context at the SGW or PGW.	C
additionalLocation	Additional location information known in the context at the SGW or PGW, or known at the MDF.	C
aPN	Access Point Name associated with the PDN known at the context at the SGW or PGW (see TS 23.401 [50] clause 5.6.4), as defined in TS 23.003[19] clause 9.1.	M
requestType	Type of request as derived from the Request Type described in TS 24.301 [50] clause 9.9.4.14 and TS 24.008 [95] clause 10.5.6.17, if available.	C
accessType	Access type associated with the PDN connection (i.e. 3GPP or non-3GPP access).	C
rATType	RAT Type associated with the PDN connection. Shall be present if known at the context at the SGW or PGW (see TS 23.401 [50] clause 5.6.4).	C
protocolConfigurationOptions	Shall be present the Protocol Configuration, Additional Protocol Configuration Options or extended Protocol Configuration Options are known in the context at the SGW or PGW. See Table 6.3.3-4.	C
servingNetwork	Shall be present if this IE is in the context for the PDN connection at the SGW/PGW.	C
bearerContexts	Shall include a list of the Bearer Contexts present in the UE Context (see TS 23.401 [50] clauses 5.7.3 and 5.7.4). See Table 6.3.3-2.	M

6.3.3.2.6 MA PDU Session Establishment message reporting MA PDU session establishment or PDN Connection establishment as part of an MA PDU Session

The IRI-POI in the SMF+PGW-C shall generate an xIRI containing an SMFMAPDUSessionEstablishment record (see clause 6.2.3.2.7) when the IRI-POI present in the SMF+PGW-C detects that a PDN Connection has been established for the target UE and associated to a multi-access PDU Session. The IRI-POI present in the SMF+PGW-C shall generate the xIRI for the following events:

- The SMF+PGW-C creates a new PDN Connection in the target UE context of the SMF+PGW-C (see TS 23.401 [50] clause 5.7.4) and it is associated to an MA PDU session as described in TS 23.502 [4] clause 4.22.2.3.

- The SMF+PGW-C creates a new multi-access PDU Session context or SM Context for the target UE (see TS 29.502 [16] clause 5.2.2.2 and clause 5.2.2.7).

When the SMFMAPDUSessionEstablishment record (see clause 6.2.3.2.7) is used to report the creation of a new PDN Connection:

- The ePSPDNConnectionEstablishment field shall be populated with the information in table 6.3.3-1.
- If there is no SUPI associated to the SM context for the target UE, the SUPI field of the SMFMAPDUSessionEstablishment record shall be populated with the value of the IMSI from the target UE context.
- If there is no PDU Session ID present in the PCO of the request or response messages or associated to the context for the PDN connection, the pDUSessionID field of the SMFMAPDUSessionEstablishment record shall be populated with the EBI of the default bearer for the PDN Connection.
- If there is no 5G UP tunnel present in the context associated to the PDN Connection, the gTPTunnelID field of the SMFMAPDUSessionEstablishment record shall be populated with the F-TEID for the PGW S5 or S8 interface for the default bearer of the PDN Connection.

6.3.3.2.7 MA PDU Session Modification message reporting MA PDU session modification, modification of a PDN Connection associated to MA PDU session or inter-system handover

The IRI-POI in the SMF+PGW-C shall generate an xIRI containing an SMFMAPDUSessionModification record (see clause 6.2.3.2.7) when the IRI-POI present in the SMF+PGW-C detects that an MA PDU Session or PDN Connection associated to an MA PDU Session has been modified for the target UE. The IRI-POI present in the SMF+PGW-C shall generate the xIRI for the following events:

- The SMF+PGW-C modifies an existing PDN Connection associated to an MA PDU Session in the target UE context of the SMF+PGW-C (see TS 23.401 [50] clause 5.7.4).
- The SMF+PGW-C modifies an existing MA PDU Session context or SM Context for the target UE (see TS 29.502 [16] clause 5.2.2.3 and clause 5.2.2.8).
- The SMF+PGW-C transfers the 3GPP Access Leg of an existing MA PDU Session to EPS (see TS 23.502 [4] clause 4.22.6).
- The SMF+PGW-C transfers an existing PDN Connection associated to an MA PDU Session to 5GS (see TS 23.502 [4] clause 4.22.6).

When the SMFMAPDUSessionModification record (see clause 6.2.3.2.7) is used to report the modification of a PDN Connection:

- The ePSPDNConnectionModification field shall be populated with the information in table 6.3.3-8.
- If there is no SUPI associated to the SM context for the target UE, the SUPI field of the SMFMAPDUSessionModification record shall be populated with the value of the IMSI from the target UE context.
- If there is no PDU Session ID present in the PCO of the request or response messages or associated to the context for the PDN connection, the pDUSessionID field of the SMFMAPDUSessionModification record shall be populated with the EBI of the default bearer for the PDN Connection.
- If there is no 5G UP tunnel present in the context associated to the PDN Connection, the gTPTunnelID field of the SMFMAPDUSessionModification record shall be populated with the F-TEID for the PGW S5 or S8 interface for the default bearer of the PDN Connection.

6.3.3.2.8 MA PDU Session Release message reporting MA PDU session release or the release of a PDN Connection associated to an MA PDU session

The IRI-POI in the SMF+PGW-C shall generate an xIRI containing an SMFMAPDUSessionRelease record (see clause 6.2.3.2.7) when the IRI-POI present in the SMF+PGW-C detects that an MA PDU Session or PDN Connection

associated to an MA PDU Session has been released for the target UE. The IRI-POI present in the SMF+PGW-C shall generate the xIRI for the following events:

- The SMF+PGW-C releases an existing PDN Connection associated to an MA PDU Session in the target UE context of the SMF+PGW-C (see TS 23.401 [50] clause 5.7.4).
- The SMF+PGW-C releases an existing MA PDU Session context or SM Context for the target UE (see TS 29.502 [16] clause 5.2.2.4 and clause 5.2.2.9).

When the SMFMAPDUSessionRelease record (see clause 6.2.3.2.7) is used to report the release of a PDN Connection:

- The ePSPDNConnectionRelease field shall be populated with the information in table 6.3.3-13.
- If there is no SUPI associated to the SM context for the target UE, the SUPI field of the SMFMAPDUSessionRelease record shall be populated with the value of the IMSI from the target UE context.
- If there is no PDU Session ID present in the PCO of the request or response messages or associated to the context for the PDN connection, the pDUSessionID field of the SMFMAPDUSessionRelease record shall be populated with the EBI of the default bearer for the PDN Connection.
- If there is no 5G UP tunnel present in the context associated to the PDN Connection, the gTPTunnelID field of the SMFMAPDUSessionRelease record shall be populated with the F-TEID for the PGW S5 or S8 interface for the default bearer of the PDN Connection.

6.3.3.2.9 SMF Start of Interception with Already Established MA PDU Session message reporting Start of Interception with Already Established MA PDU Session or Start of Interception with Already Established PDN Connection associated to an MA PDU Session

The IRI-POI in the SMF+PGW-C shall generate an xIRI containing an SMFStartOfInterceptionWithEstablishedMAPDUSession record (see clause 6.2.3.2.7) when the IRI-POI present in the SMF+PGW-C detects that an MA PDU Session or PDN Connection associated to an MA PDU Session has already been established for the target UE when interception starts. The IRI-POI present in the SMF+PGW-C shall generate the xIRI for the following events:

- The SMF+PGW-C has an existing PDN Connection associated to an MA PDU Session in the target UE context of the SMF+PGW-C (see TS 23.401 [50] clause 5.7.4).
- The SMF+PGW-C has an existing MA PDU Session context or SM Context for the target UE (see TS 29.502 [16] clause 5.2.2.2 and clause 5.2.2.7).

When the SMFStartOfInterceptionWithEstablishedMAPDUSession record (see clause 6.2.3.2.7) is used to report an existing PDN Connection:

- The ePSStartOfInterceptionWithEstablishedPDNConnection field shall be populated with the information in Table 6.3.3-14.
- If there is no SUPI associated to the SM context for the target UE, the SUPI field of the SMFStartOfInterceptionWithEstablishedMAPDUSession record shall be populated with the value of the IMSI from the target UE context.
- If there is no PDU Session ID associated to the context for the PDN connection, the pDUSessionID field of the SMFStartOfInterceptionWithEstablishedMAPDUSession record shall be populated with the EBI of the default bearer for the PDN Connection.
- If there is no 5G UP tunnel present in the context associated to the PDN Connection, the gTPTunnelID field of the SMFStartOfInterceptionWithEstablishedMAPDUSession record shall be populated with the F-TEID for the PGW S5 or S8 interface for the default bearer of the PDN Connection.

6.3.3.2A Triggering of the CC-POI from CC-TF over LI_T3

When CUPS architecture is used and the interception of user plane packets is required, the CC-TF present in the SGW-C/PGW-C sends a trigger to the CC-POI present in the SGW-U/PGW-U over the LI_T3 interface.

6.3.3.3 Generation of xCC at CC-POI in the SGW/PGW and ePDG over LI_X3

6.3.3.3.1 Non-CUPS architecture

The CC-POI present in the SGW/PGW and ePDG shall send xCC over LI_X3 for each IP packet belonging to the target's communication.

Each X3 PDU shall contain the contents of the user plane packet given using the GTP-U, IP or Ethernet payload format.

The CC-POI present in the SGW/PGW and ePDG shall set the payload format to indicate the appropriate payload type (5 for IPv4 Packet, 6 for IPv6 Packet, 7 for Ethernet frame or 12 for GTP-U packet as per ETSI TS 103 221-2 [8] clause 5.4).

If it is required to send the ICE-type for the xCC, the CC-POI shall set the NFID attribute (see ETSI TS 103 221-2 [8] clause 5.3.7) to the appropriate value from the ICE-type enumeration in TS 33.108 [12] Annex B.10 as a single octet. As an example, an ICE-type of "sgw" is indicated by setting the attribute to value 3.

6.3.3.3.2 CUPS architecture

When CUPS architecture is used, the CC-POI in the SGW-U/PGW-U is provisioned by the CC-TF in the SGW-C/PGW-C using a Triggering message (i.e. ActivateTask message) as described in clause 6.3.3.0.

The CC-POI present in the SGW-U/PGW-U shall send xCC over LI_X3 for each IP packet matching the criteria specified in the Triggering message (i.e. ActivateTask message) received over LI_T3 from the CC-TF in the SGW-C/PGW-C.

NOTE: Implementers are reminded of the completeness and non-duplication requirements (see TS 33.127 [5]).

Each X3 PDU shall contain the contents of the user plane packet given using the GTP-U, IP or Ethernet payload format.

The CC-POI present in the SGW-U/PGW-U shall set the payload format to indicate the appropriate payload type (5 for IPv4 Packet, 6 for IPv6 Packet, 7 for Ethernet frame or 12 for GTP-U Packet as described in ETSI TS 103 221-2 [8] clauses 5.4 and 5.4.13).

If handover of the entire GTP-U packet is required over LI_HI3 (see clause 6.2.3.8), then consideration shall be made of the correct choice of LI_X3 payload type to ensure that the MDF3 has the necessary CC information. Support for delivery of LI_X3 as payload type 12 (GTP-U packet) is mandatory.

6.3.3.4 Generation of IRI over LI_HI2

When an xIRI is received over LI_X2 from the IRI-POI in the SGW/PGW or ePDG, the MDF2 shall generate the corresponding IRI message and deliver it over LI_HI2 without undue delay. The IRI message shall contain a copy of the relevant record received in the xIRI over LI_X2.

When option C specified in clause 6.3.1 is used, the MDF2 shall generate IRI messages based on the proprietary information received from the SGW/PGW or ePDG and provide it over LI_HI2 without undue delay.

The IRI messages shall include an IRI payload encoded according to clause 10.5 and TS 33.108 [12] Annex B.9. The MDF2 shall encode the correct value of LIID in the IRI message, replacing the value "LIIDNotPresent" given in the xIRI (see clause 6.3.2.2).

The IRI messages shall be delivered over LI_HI2 according to ETSI TS 102 232-7 [10] clause 10.

6.3.3.5 Generation of CC over LI_HI3

When xCC is received over LI_X3 from the CC-POI in the SGW/PGW or ePDG, the MDF3 shall generate the corresponding CC and deliver it over LI_HI3 without undue delay. The CC message shall contain a copy of the relevant xCC received over LI_X3.

When option C specified in clause 6.3.1 is used, the MDF3 shall generate CC based on the proprietary information received from the SGW/PGW or ePDG and provide it over LI_HI3 without undue delay.

The CC shall include a CC payload encoded according to TS 33.108 [12] Annex B.10.

The CC shall be delivered over LI_HI3 according to ETSI TS 102 232-7 [10] clause 10.

6.4 3G

The Present document does not specify details of the LI interfaces for 3G / UMTS. Details for this release are specified in TS 33.108 [12].

7 Service Layer Based Interception

7.1 Introduction

Clause 7 describes any remaining fields, behaviours or details necessary to implement the required LI interfaces for specific 3GPP-defined services which are not described in clauses 4 and 5. . For 3GPP-defined services that utilize proprietary deployments, see clause N.3.

Additional or alternative triggers shall be used when required to ensure that all instances of the events listed in TS 33.127 [5] are reported.

7.2 Central Subscriber Management

7.2.1 General description

This clause describes interception at central subscriber management functions or databases (e.g. UDM and HSS).

7.2.2 LI at UDM

7.2.2.1 General description

In 3GPP network, the UDM provides the unified data management for UE. The UDM shall have LI capabilities to generate the target UE's service area registration and subscription management related xIRI.

7.2.2.2 Provisioning over LI_X1

The IRI-POI present in the UDM is provisioned over LI_X1 by the LIPF using the X1 protocol as described in clause 5.2.2.

The POI in the UDM shall support the following target identifier formats in the ETSI TS 103 221-1 [7] messages:

- SUPIIMSI.
- SUPINAI.
- PEIIMEI.
- PEIIMEISV.
- GPSIMSISDN.
- GPSINAI.

7.2.2.3 Generation of xIRI over LI_X2

7.2.2.3.1 General description

The IRI-POI present in the UDM shall send xIRI over LI_X2 for each of the events listed in TS 33.127 [5] clause 7.2.2.4, the details of which are described in the following clauses.

7.2.2.3.2 Serving system

The IRI-POI in the UDM shall generate an xIRI containing the UDMServingSystemMessage record when it detects the following events:

- When the UDM receives the amf3GPPAccessRegistration from the AMF as part of the Nudm_UEContextManagement_Registration service operation (see TS 29.503 [25] clause 5.3.2.2.2).
- When the UDM receives the amfNon3GPPAccessRegistration from the AMF as part of the Nudm_UEContextManagement_Registration service operation (see TS 29.503 [25] clause 5.3.2.2.3).

When a target UE registers to both 3GPP and non-3GPP access, two separate xIRIs each containing the UDMServingSystemMessage record may be generated by the IRI-POI in the UDM.

Table 7.2.2.3-1: Payload for UDMServingSystemMessage record

Field name	Description	M/C/O
sUPI	SUPI associated with the target UE, see TS 29.571 [17].	M
pEI	PEI associated with the target UE, when known, see TS 29.571 [17].	C
gPSI	GPSI associated with the target UE, when known, see TS 29.571 [17].	C
gUAMI	Serving AMF's GUAMI, when known, see NOTE 1.	C
gUMMEI	Serving MME's GUMMEI, see NOTE 2.	C
pLMNID	Serving PLMN Id. See TS 29.571 [17]. See NOTE 3.	C
servingSystemMethod	Identifies method used to access the serving system, see NOTE 4.	M
serviceID	Identifies the target UE's 5G service identifiers (e.g. SNSSAI, CAGID) when the AMF Registration is executed, when known, see TS 29.571 [17].	C
roamingIndicator	Boolean which indicates if the serving PLMN is different from the HPLMN. See TS 29.503 [25] clause 6.4.6.2.8.	M

NOTE 1: GUAMI is the global unique identifier of an AMF [2] and its format is defined in TS 29.571 [17]. As defined in TS 23.501 [2] clause 5.9.4, GUAMI consists of <MCC> <MNC> <AMF Region ID> <AMF Set ID> <AMF Pointer>. The GUAMI is reported if the UDM receives the same from the AMF.

NOTE 2: GUMMEI is the global unique identifier of an MME and its format is defined in TS 23.003 [19]. As defined in TS 23.003 [19] clause 2.8.1, GUMMEI consists of <MCC> <MNC> <MME Identifier>. The GUMMEI is reported if the UDM has this information (e.g. in a combined UDM/HSS).

NOTE 3: PLMN Id provides the VPLMN Id when the target UE is roaming.

NOTE 4: This identifies whether the xIRI containing the UDMServingSystemMessage record is generated due to the reception of an amf3GPPAccessRegistration, or an amfNon3GPPAccessRegistration. See TS 29.503 [25].

TS 29.571 [17] requires that the encoding of 3GPP defined identifiers (e.g. IMSI, NAI) shall be prefixed with its corresponding prefix (e.g. with reference to SUPI it requires 'imsi-', 'nai-'). However, identifiers and parameters shall be coded over the LI_X2 and LI_HI2 according to Annex A of the present document, so without the prefix specified in TS 29.571 [17].

The IRI-POI present in the UDM generating an xIRI containing an UDMServingSystemMessage record shall set the Payload Direction field in the PDU header to *not applicable* (Direction Value 5, see ETSI TS 103 221-2 [8] clause 5.2.6).

7.2.2.3.3 Subscriber record change

The IRI-POI in the UDM shall generate an xIRI containing the UDMSubscriberRecordChangeMessage record when it detects the following events:

- When the UDM receives the Amf3GppAccessRegistration from the AMF as part of the Nudm_UEContextManagement_Registration service operation (see TS 29.503 [25] clause 5.3.2.2.2) and detects a change in the SUPI/GPSI/PEI association for a target.
- When the UDM receives the AmfNon3GppAccessRegistration from the AMF as part of the Nudm_UEContextManagement_Registration service operation (see TS 29.503 [25] clause 5.3.2.2.3) and detects a change in the SUPI/GPSI/PEI association for a target.

- When the UDM receives the Amf3GppAccessRegistrationModification from the AMF as part of Nudm_UEContextManagement Update service operation (see TS 29.503 [25] clause 5.3.2.6.2) and detects a change in the SUPI/GPSI/PEI association for a target.
- When the UDM receives the AmfNon3GppAccessRegistrationModification from the AMF as part of Nudm_UEContextManagement Update service operation (see TS 29.503 [25] clause 5.3.2.6.3) and detects a change in the SUPI/GPSI/PEI association for a target.
- When the UDM receives the PeiUpdateInfo from the HSS as part of the Nudm_UEContextManagement PEI Update service operation (see TS 29.503 [25] clause 5.3.2.10.2) and detects a change in the SUPI/GPSI/PEI association for a target.
- Upon detection of modification between SUPI and GPSI association (if UDR is deployed, when UDM receives the DataChangeNotify from the UDR including the modified GPSI as part of the Nudr_DataRepository Notification service operation (see TS 29.504 [48] clause 5.2.2.8.3 and TS 29.505 [49] clause 5.4.2.6); if UDR is not deployed, when the modification is detected as result of UDM provisioning).
- Upon UE de-provisioning (if UDR is deployed, when UDM receives the DataChangeNotify from the UDR including the deleted SUPI as part of the Nudr_DataRepository Notification service operation (see TS 29.504 [48] clause 5.2.2.8.3 and TS 29.505 [49] clause 5.4.2.6); if UDR is not deployed, when the modification is detected as result of UDM deprovisioning).
- When a new SUPI is provisioned (if UDR is deployed, when UDM receives the DataChangeNotify from the UDR including the new and the old SUPI as part of the Nudr_DataRepository Notification service operation (see TS 29.504 [48] clause 5.2.2.8.3 and TS 29.505 [49] clause 5.4.2.6); if UDR is not deployed, when the modification is detected as result of UDM provisioning).
- When the UDM receives the Amf3GppAccessRegistrationModification from the AMF as part of Nudm_UEContextManagement Update service operation (see TS 29.503 [25] clause 5.3.2.2.2) and detects a change in the ServiceID association for a target.
- Upon detection of modification in the Service ID association (if UDR is deployed, when UDM receives the DataChangeNotify from the UDR including the modified Service ID as part of the Nudr_DataRepository Notification service operation (see TS 29.504 [48] clause 5.2.2.8.3 and TS 29.505 [49] clause 5.4.2.6); if UDR is not deployed, when the modification is detected as a result of UDM provisioning).

When a target UE registers to both 3GPP and non-3GPP access, two separate xIRIs each containing the UDMSubscriberRecordChangeMessage report record may be generated by the IRI-POI in the UDM.

When more than one identity associated with the same target identifier changes with a single procedure, either one or multiple UDMSubscriberRecordChangeMessage report record(s) may be generated by the IRI-POI in the UDM. This decision (of one or multiple records) is left to implementation.

Table 7.2.2.3.3-1: Payload for UDMSsubscriberRecordChangeMessage record

Field name	Type	Cardinality	Description	M/C/O
sUPI	SUPI	0..1	SUPI currently associated with the target UE, see TS 29.571 [17], see NOTE 1.	C
pEI	PEI	0..1	PEI currently associated with the target UE, when known, see TS 29.571 [17].	C
gPSI	GPSI	0..1	GPSI currently associated with the target UE, when known, see TS 29.571 [17].	C
oldSUPI	SUPI	0..1	Old SUPI associated with the target UE, when known.	C
oldServiceID	ServiceID	0..1	Identifies the target UE's old service identifiers (e.g. SNSSAI, CAGID), when known, see TS 29.571 [17].	C
oldPEI	PEI	0..1	Old PEI associated with the target UE, when known.	C
oldGPSI	GPSI	0..1	Old GPSI associated with the target UE, when known.	C
subscriberRecordChangeMethod	UDMSsubscriberRecordChangeMethod	1	Identifies the trigger of Subscriber Record Change operation, see NOTE 2.	M
serviceID	ServiceID	0..1	Identifies the target UE's 5G service identifiers that have been modified (e.g. SNSSAI, CAGID), when known, see TS 29.571 [17].	C
<p>NOTE 1: When an identity is changed, both the old one and the current one are reported; the target identity is always reported either as current identity or old identity depending on the change, together with the other current identities (e.g. ServiceIDs), if available. If the target identity is changed, the old identity represents the target otherwise the current identity represents the target (as examples, when SUPI is the target and PEI is changing, SUPI (target), PEI and old PEI, along with GPSI, if available, are reported; when SUPI is the target and SUPI is changed, SUPI and oldSUPI (target), along with PEI and GPSI, if available, are reported).</p> <p>NOTE 2: This identifies whether the xIRI containing the UDMSsubscriberRecordChangeMessage record is generated due to a PEI change, a GPSI change, a SUPI modification or ServiceID change, or a UE de-provisioning. If a single UDMSsubscriberRecordChangeMessage xIRI is generated to report more than one subscriberRecordChangeMethod within a single service operation, this parameter enumeration shall be set to multipleIDChanges.</p>				

Table 7.2.2.3.3-2: Enumeration for UDMSsubscriberRecordChangeMethod

Enumeration Value	Description
pEIChange	Indicates that PEI is the identifier changed as part of the service operation.
sUPIChange	Indicates that SUPI is the identifier changed as part of the service operation.
gPSIChange	Indicates that GPSI is the identifier changed as part of the service operation.
uEDeprovisioning	Used when UE de-provisioning is the cause of the service operation.
unknown	Used when no information is available.
serviceIDChange	Indicates that NSSAI or CAG ID is changed as part of the service operation.
multipleIDChanges	Indicates that multiple identifiers have been changed with one service operation (e.g. pEIChange and gPSIChange).

The IRI-POI present in the UDM generating an xIRI containing an UDMSsubscriberRecordChangeMessage record shall set the Payload Direction field in the PDU header to *not applicable* (Direction Value 5, see ETSI TS 103 221-2 [8] clause 5.2.6).

TS 29.571 [17] requires that the encoding of 3GPP defined identifiers (e.g. IMSI, NAI) shall be prefixed with its corresponding prefix (e.g. with reference to SUPI it requires 'imsi-', 'nai-'). However, identifiers and parameters shall be coded over the LI_X2 and LI_HI2 according to Annex A of the present document, so without the prefix specified in TS 29.571 [17].

7.2.2.3.4 Cancel location

The IRI-POI in the UDM shall generate an xIRI containing the UDMCancelLocation record when it detects the following events:

- When the UDM sends DeregistrationData to AMF as part of the Nudm_UEContextManagement DeregistrationNotification service operation (see TS 29.503 [25] clause 5.3.2.3.2) (e.g. to cancel location retrieval operations).
- When the UDM receives the Amf3GppAccessRegistrationModification with purgeFlag set to true from the AMF as part of Nudm_UEContextManagement Deregistration service operation (see TS 29.503 [25] clause 5.3.2.4.2).
- When UDM receives the AmfNon3GppAccessRegistrationModification with purgeFlag set to true from the AMF as part of Nudm_UEContextManagement Deregistration service operation (see TS 29.503 [25] clause 5.3.2.4.3).

When a target UE deregisters from both 3GPP and non-3GPP access, two separate xIRIs each containing the UDMCancelLocation report record may be generated by the IRI-POI in the UDM.

NOTE: Invocation of the Nudm_UEContextManagement Deregistration service operation in the case of UE deregistration is an implementation option (see TS 23.502 [4] clause 4.5.3). Consequently, the UDMCancel Location xIRI in such case is only generated if this option is supported by the serving network.

Table 7.2.2.3.4-1: Payload for UDMCancelLocationMessage record

Field name	Type	Cardinality	Description	M/C/O
sUPI	SUPI	1	SUPI associated with the target UE, see TS 29.571 [17].	M
pEI	PEI	0..1	PEI associated with the target UE, when known, see TS 29.571 [17].	C
gPSI	GPSI	0..1	GPSI associated with the target UE, when known, see TS 29.571 [17].	C
gUAMI	GUAMI	0..1	Previous serving AMF's GUAMI, when known. See NOTE 1.	C
pPLMNID	PLMNID	0..1	Previous serving PLMN ID. See TS 29.571 [17]. See NOTE 2.	C
cancelLocationMethod	UDMCancelLocationMethod	1	Identifies method used to access the serving system, see NOTE 3.	M
aMFDeregistrationInfo	UDMAMFDeregistrationInfo	0..1	Shall include the information sent in the AMF Registration Modification patch record to the UDM (with purgeFlag set to true), including cause information. See TS 29.503 [25] clause 6.2.6.2.7.	C
deregistrationData	UDMDeregistrationData	0..1	Shall identify the reason for the deregistration included in the deregistration notification sent by the UDM. See TS 29.503 [25] clauses 6.2.6.2.5 and 6.2.6.3.3.	C

NOTE 1: GUAMI is the global unique identifier of an AMF [2] and its format is defined in TS 29.571 [17]. As defined in TS 23.501 [2] clause 5.9.4, GUAMI consists of <MCC> <MNC> <AMF Region ID> <AMF Set ID> <AMF Pointer>. The GUAMI is reported if the UDM receives the same from the AMF.

NOTE 2: PLMN ID provides the vPLMN ID when the target UE is roaming.

NOTE 3: This identifies whether the xIRI containing the UDMCancelLocationMessage record is generated due to the reception of a UDM deregistration, and AMF 3GPP Access deregistration, or an AMF Non 3GPP access deregistration.

The IRI-POI present in the UDM generating an xIRI containing an UDMCancelLocationMessage record shall set the Payload Direction field in the PDU header to *not applicable* (Direction Value 5, see ETSI TS 103 221-2 [8] clause 5.2.6).

TS 29.571 [17] requires that the encoding of 3GPP defined identifiers (e.g. IMSI, NAI) shall be prefixed with its corresponding prefix (e.g. with reference to SUPI it requires 'imsi-', 'nai-'). However, identifiers and parameters shall be

coded over the LI_X2 and LI_HI2 according to Annex A of the present document, so without the prefix specified in TS 29.571 [17].

7.2.2.3.5 Location information request

Location information request is not supported in the present document.

7.2.2.3.6 Location information result

The IRI-POI in the UDM shall generate an xIRI containing the UDMLocationInformationResult record when it detects the following events:

- When UDM receives the LocationInfoRequest from an NF service consumer (i.e. HSS) as part of Nudm_MT_ProvideLocationInfo service operation (see TS 29.503 [25] clause 6.7.6.2.3) and the UDM sends the LocationInfoResult as part of Nudm_MT_ProvideLocationInfo service operation (see TS 29.503 [25] clause 6.7.6.2.4).

When a target UE is registered to both 3GPP and non-3GPP access, two separate xIRIs each containing the LocationInfoResult report record may be generated by the IRI-POI in the UDM.

Table 7.2.2.3.6-1: Payload for UDMLocationInformationResult record

Field name	Description	M/C/O
sUPI	SUPI currently associated with the target, see TS 29.571 [17].	M
pEI	PEI currently associated with the target UE, when known, see TS 29.571 [17].	C
gPSI	GPSI currently associated with the target UE, when known, see TS 29.571 [17].	C
locationInfoRequest	Indicates the information received from the HSS in the LocationInfoRequest. At least one of the parameters in Table 7.2.2.3.6-2 shall be included. See NOTE below table 7.2.2.3.6-2.	M
vPLMNid	PLMNID of the visited PLMN, if UE is currently registered to visited network.	C
currentLocationIndicator	Shall indicate if the UE location is current or last known. Include if provided in the LocationInfoResult.	C
aMFInstanceID	Provides the NF instance ID of the serving AMF for 3GPP access. Shall be included if provided in the LocationInfoResult.	C
sMSFInstanceID	Provides the NF instance ID of the serving SMSF. Shall be included if provided in the LocationInfoResult.	C
location	Location information available at the UDM at the time of the LocationInfoRequest, include if in LocationInfoResult.	C
rATType	Shall provide the current RAT type of the UE, if present in the LocationInfoResult.	C
problemDetails	Indicates the reason for LocationInfoResult failure. See TS 29.571 [17] clause 5.2.4.1. Shall be included if provided in the LocationInfoResult.	C

Table 7.2.2.3.6-2: Payload for LocationInfoRequest parameter

Field name	Description
req5GSLocation	Boolean that indicates if 5GS location is requested.
reqCurrentLocation	Boolean that indicates if current location is requested.
reqRatType	Boolean indicates if Rat Type is requested.
reqTimeZone	Boolean indicates if time zone is requested.
reqServingNode	Boolean indicates if serving node instance ID is requested.

NOTE: The absence of one or more of the parameters in table 7.2.2.3.6-2 assumes that it was not included in the LocationInfoRequest.

7.2.2.3.7 UE information response

The IRI-POI in the UDM shall generate an xIRI containing the UDMUEInformationResponse record when it detects the following events:

- When the UDM receives the ProvideUeInfo GET request from the NF service consumer as part of Nudm_MT_ProvideUeInfo service operation (see TS 29.503 [25] clause 6.7.6.2.2) and the UDM returns a UeInfo response.

Table 7.2.2.3.7-1: Payload for UDMUEInformationResponse record

Field name	Description	M/C/O
sUPI	SUPI currently associated with the target UE, see TS 29.571 [17].	M
tADSInfo	Contains the UE Context Information as known at the UDM. See TS 29.518 [22] clause 6.3.6.2.4. Shall be included if UE Context is returned in the UeInfo response.	C
fiveGSUserStateInfo	Describes the 5GS user state of the UE as known at the UDM. See TS 29.518 [22] clause 6.2.6.3.11. Shall be included if 5GS user state is returned in the UeInfo response.	C
fiveGSRVCCInfo	Indicates whether the UE supports 5G SRVCC. See TS 29.503 [25] clause 6.7.6.2.5. Shall be included if returned in the UeInfo response.	C
problemDetails	Indicates the reason for UeInfo response failure. See TS 29.571 [17] clause 5.2.4.1. Shall be included if provided in the UeInfo response.	C

7.2.2.3.8 UE Authentication response

The IRI-POI in the UDM shall generate an xIRI containing the UDMUEAuthenticationResponse record when it detects the following events:

- When the UDM receives the AuthenticationInfoRequest from the AUSF as part of Nudm_UEAuthentication service operation (see TS 29.503 [25] clause 6.3.6.2.2) and the UDM sends the AuthenticationInfoResult to the AUSF as part of the Nudm_UEAuthentication service operation (see TS 29.503 [25] clause 6.3.6.2.3).
- When the UDM receives the HSSAuthenticationInfoRequest from the HSS as part of the Nudm_UEAuthentication service operation (see TS 29.503 [25] clause 6.3.6.2.10) and the UDM sends the HSSAuthenticationInfoResult to the AUSF as part of the Nudm_UEAuthentication service operation (see TS 29.503 [25] clause 6.3.6.2.11).

When a target UE registers from both 3GPP and non-3GPP access, two separate xIRIs each containing the UDMUEAuthentication report record may be generated by the IRI-POI in the UDM.

Table 7.2.2.3.8-1: Payload for UDMUEAuthenticationResponse record

Field name	Type	Cardinality	Description	M/C/O
sUPI	SUPI	1	SUPI currently associated with the target UE, see TS 29.571 [17].	M
authenticationInfoRequest	UDMAuthenticationInfoRequest	1	Indicates information provided in the UEAuthenticationInfoRequest. See Table 7.2.2.3.8-2 for details of payload.	M
aKMAIndicator	BOOLEAN	0..1	Indicates whether AKMA keys are needed for the UE, shall be included if AKMA keys are requested in the AuthenticationInfoRequest.	C
problemDetails	UDMProblemDetails	0..1	Shall Indicate reason for AuthenticationInfoResultfailure. Shall be included if failure occurs. See TS 29.571 [17] clause 5.2.4.1.	C
authAAA	BOOLEAN	0..1	Boolean value that indicates whether authentication is required to be performed using AAA as sent in the UEAuthenticationInfoResult. Included when present in the AuthenticationInfoResult. See TS 29.503 [25] clause 6.3.6.2.3.	C
pvsInfo	ServerAddressingInfoList	0..1	Provides remote provisioning server information when the PLMN is used for target UE SNPN onboarding. Include when known at the NF. See TS 29.503 [25] clause 6.3.6.2.3.	C

Table 7.2.2.3.8-2: Payload for UDMAuthenticationInfoRequest parameter

Field name	Type	Cardinality	Description	M/C/O
infoRequestType	UDMInfoRequestType,	1	Indicates whether the AuthenticationInfoRequest was sent by the HSS, AUSF or other.	M
rGAuthCtx	SEQUENCE (SIZE (1..MAX)) OF SubscriberIdentifier	1..MAX	Contains the UE ID (i.e. SUPI, SUCI) provided in the authentication indication, at least one shall be present.	M
authType	PrimaryAuthenticationType	1	Indicates the authentication method provided by the HSS or AUSF in the AuthenticationInfoRequest.	M
servingNetworkName	PLMNID	1	Serving network name. See TS 33.501 [11] clause 6.1.1.4.	M
aUSFInstanceID	NFID	0..1	Identifies the AUSF instance which generated the AuthenticationInfoRequest. Shall be included if known.	C
cellCAGInfo	CAGID	0..1	Provides CAG cell information (e.g. CAGId) if UE is attempting registration from a CAG.	C
n5GCIndicator	BOOLEAN	0..1	Boolean value that indicates whether the device is a N5GC device. Include if provided in the AuthenticationInfoRequest.	C

7.2.2.3.9 Start of Interception with UE registered at the UDM

The IRI-POI in the UDM shall generate an xIRI containing the UDMStartOfInterceptionWithRegisteredTarget record when the IRI-POI present in the UDM detects that interception is activated for a UE that has already been registered in the UDM. A UE is considered registered in the UDM when the UDM has a current UE context management entry (see TS 29.503 [25] clauses 5.3.2.2 and 6.2), over at least one access type.

When a target UE is registered on both 3GPP and non-3GPP access, a single UDMStartofInterceptionWithRegisteredTarget record including context information from both accesses shall be generated by the IRI-POI in the UDM.

Table 7.2.2.3.9-1: Payload for UDMStartOfInterceptionWithRegisteredTarget record

Field name	Description	M/C/O
sUPI	SUPI associated with the target UE, see TS 29.571 [17].	M
gPSI	GPSI associated with the target UE, when known, see TS 29.571 [17].	C
uDMSubscriptionDataSets	Includes current subscription information for the target UE stored at the UDM. Encoded according to TS 29.503 [25] clause 6.1.6.2.15 (schema definition reference TS29503_Nudm_SDM.yaml).	M

7.2.2.3.10 Proximity services reporting at the UDM

7.2.2.3.10.1 General

Proximity services (ProSe) in a 5G network allow for a remote UE to gain access to the 5G core network via another UE with an existing AN connection. When this occurs, the remote UE utilizes an existing PDU session of the connected UE to gain authorization for services toward its UDM. The following clauses define xIRI generation for target ProSe remote UE communications at the UDM.

The following records are applicable to the UE states:

- non-roaming.
- roaming.

For roaming scenarios, the UDMServingSystem record shall be used to convey the current serving system information for the ProSe UE.

7.2.2.3.10.2 ProSe target identifier deconcealment

The IRI-POI in the UDM shall generate an xIRI containing the UDMProSeTargetIdentifierDeconcealment record when the IRI-POI present in the UDM detects that the UDM has responded to a request from the NF consumer (i.e., the 5G PKMF) to perform SUCI to SUPI deconcealment for a target ProSe remote UE (see TS 29.503 [25] clause 5.11.2.1) and the SUPI matches the target identifier provisioned over LI_X1.

Table 7.2.2.3.10.2-1: Payload for UDMProSeTargetIdentifierDeconcealment record

Field name	Type	Cardinality	Description	M/C/O
sUPI	SUPI	1	SUPI associated with the target UE returned by the UDM in response to the Nudm_UEIdentifier Deconceal POST, see TS 29.503 [25] clause 5.11.2.2.	M
sUCI	SUCI	1	Subscriber concealed identity provided to the UDM as part of the Nudm_UEIdentifier Deconceal Service operation (e.g. from the 5G PKMF) due to ProSe SUCI to SUPI deconcealment.	M

7.2.2.3.10.3 ProSe target authentication

The IRI-POI in the UDM shall generate an xIRI containing the UDMProSeTargetAuthentication record when the IRI-POI present in the UDM detects that the UDM has responded to an authentication request from the AUSF for a target ProSe remote UE (see TS 29.503[25] clause 5.4.2.1 and TS 33.503 [129] clause 7.4) matching the SUPI as provisioned over LI_X1.

Table 7.2.2.3.10.3-1: Payload for UDM ProSeTargetAuthentication record

Field name	Type	Cardinality	Description	M/C/O
servingNetworkName	UTF8String	1	Identifies the network currently serving the remote ProSe UE. See TS 29.503 [25] clause 6.3.6.3.2 and TS 33.501 [11] clause 6.1.1.4.	M
relayServiceCode	Integer	1	Identifies the RSC currently in use by the remote ProSe relay in either UE-to-Network or UE-to-UE relay mode. See TS 29.571 [17] clause 5.4.2.	M
authenticationType	PrimaryAuthenticationType	1	Indicates the authentication method used by the remote ProSE UE to gain access to the serving network. See TS 29.503 [25] clause 6.3.6.3.3.	M
sUPI	SUPI	1	SUPI associated with the target UE returned in response to the Nudm_UEIdentifier Deconceal POST, see TS 29.503 [25] clause 5.11.2.2.	M

7.2.2.4 Generation of IRI over LI_HI2

When an xIRI is received over LI_X2 from the IRI-POI in UDM, the MDF2 shall send an IRI message over LI_HI2 without undue delay.

The timestamp field of the PSHeader structure shall be set to the time that the UDM event was observed (i.e. the timestamp field of the xIRI).

The IRI type parameter (see ETSI TS 102 232-1 [9] clause 5.2.10) shall be included and coded according to table 7.2.2-4.

Table 7.2.2-4: IRI type for IRI messages

IRI message	IRI type
UDMServingSystemMessage	REPORT
UDMSubscriberRecordChangeMessage	REPORT
UDMCancelLocationMessage	REPORT
UDMLocationInformationResult	REPORT
UDMUeInformationResponse	REPORT
UDMUeAuthenticationResponse	REPORT
UDMStartOfInterceptionWithRegisteredTarget	REPORT
UDMProSeTargetIdentifierDeconcealment	REPORT
UDMProSeTargetAuthentication	REPORT

These IRI messages shall omit the CIN (see ETSI TS 102 232-1 [9] clause 5.2.4).

7.2.3 LI at HSS

7.2.3.1 General

The HSS provides the support functions in the mobility management, session setup and user authentication and access authorization.

The present document allows two options for HSS LI stage 3 interfaces:

1. Use LI_X1 and LI_X2 interfaces specified below in the present document for stage 3.
2. Use TS 33.107 [36] natively as defined in that document in addition to the start of intercept with target already registered at the HSS xIRI defined in clause 7.2.3.3.3 of the present document.

In both cases, the present document specifies the stage 3 for the LI_HI1 and LI_HI2 interfaces.

When the HSS is capable of exchanging information related to the target with the UDM (e.g. via the 5G Nhss SBI), the xIRIs defined in clause 7.2.3.3 of the present document are applicable for stage 3 reporting of such events.

7.2.3.2 Provisioning over LI_X1

The IRI-POI present in the HSS is provisioned over LI_X1 by the LIPF using the X1 protocol as described in clause 5.2.2 of the present document.

The IRI-POI in the HSS shall support the target identifiers specified in TS 33.107 [36]:

- IMSI (using the IMSI target identifier format from ETSI TS 103 221-1 [7]).
- MSISDN (using the E164Number target identifier format from ETSI TS 103 221-1 [7]).
- IMEI (using the IMEI target identifier format from ETSI TS 103 221-1 [7]).
- IMPU (using the IMPU target identifier format from ETSI TS 103 221-1 [7]).
- IMPI (using the IMPI target identifier format from ETSI TS 103 221-1 [7]).

7.2.3.3 Generation of xIRI over LI_X2

7.2.3.3.1 General description

The IRI-POI present in the HSS shall send the xIRIs over LI_X2 for each of the events listed in TS 33.107 [36], the details of which are also specified in TS 33.107 [36].

The IRI-POI present in the HSS shall set the payload format to EpsHI2Operations.EpsIRIContent (value 14), see clause 5.3 of the present document and ETSI TS 103 221-2 [8] clause 5.4. The payload field shall contain an EpsHI2Operations.EpsIRIContent structure encoded according to TS 33.108 [12] clause B.9.

As the LIID may be not available at the HSS but is mandatory in EpsHI2Operations.EpsIRIContent according to TS 33.108 [12] clause B.9, its value in the lawfulInterceptionIdentifier field of the encoded PDU shall be set to the fixed string "LIIDNotPresent".

When the HSS interworks with the UDM via the Nhss service based interfaces, the IRI-POI present in the HSS shall send xIRI over LI_X2 for each of the events listed in TS 33.127 [5] clause 7.2.2.3 the details of which are described in the following clauses.

7.2.3.3.2 Serving system

The IRI-POI in the HSS shall generate an xIRI containing the HSServingSystemMessage record when it detects the following events:

- When the HSS receives the Roaming Status Update from the UDM as part of the Nhss_UEContextManagement_RoamingStatusUpdate service operation (see TS 29.563 [100] clause 5.4.2.4).

Table 7.2.3.3.2-1: Payload for HSServingSystemMessage record

Field name	Description	M/C/O
iMSI	IMSI associated with the target UE, See TS 29.563 [100] clause 6.3.6.2.5.	M
oldPLMNID	Includes the old PLMN for which the UE was previously registered.	M
newPLMNID	Indicates the new PLMN to which the UE is now registered.	M
roamingIndicator	Indicates if the serving PLMNID is different than the HPLMN or EHPLMN.	M
responseCode	Includes the response code as sent from HSS to UDM in the POST response. See TS 29.563 [100] clause 6.3.4.4.2 for details of this structure.	M

7.2.3.3.3 Start of Interception with target registered at the HSS

The IRI-POI in the HSS shall generate an xIRI containing the HSSStartOfInterceptionWithRegisteredTarget record when the IRI-POI present in the HSS detects that interception is activated for a UE that has already been registered at the HSS.

The HSS may have stored target subscription data for both EPC and IMS. In such a case, a single HSS Start of Interception with Registered Target xIRI shall be generated containing the target context.

Table 7.2.3.3.3-1: Payload for HSSStartOfInterceptionWithRegisteredTarget record

Field name	Description	M/C/O
hSSIdentities	Indicates the identifiers for which the subscription data sets apply. Shall include one or more subscriber identifier. See TS 29.562 [101] clause 6.2.3.1.	M
subscriptionDataSets	Includes current subscription information for the target UE stored at the HSS. Encoded according to TS 29.562 [101] clause 6.2.6.2.4. The SBIReference for this parameter shall be populated with 'TS29562_Nhss_imsSDM.yaml#/components/schemas/ImsProfileData'.	C
pSUserState	Indicates the user state in the PS domain as known at the HSS. Encoded according to TS 29.562 [101] clause 6.2.6.3.15. The SBIReference for this parameter shall be populated with 'TS29562_Nhss_imsSDM.yaml#/components/schemas/PsUserState'.	C

7.2.3.4 Generation of IRI over LI_HI2

When an xIRI is received over LI_X2 from the IRI-POI in the HSS, the MDF2 shall generate the corresponding IRI message and deliver it over LI_HI2 without undue delay. The IRI message shall contain a copy of the relevant record received in the xIRI over LI_X2.

When Option 2 specified in clause 7.2.3.1 above is used, the MDF2 shall generate IRI messages based on the proprietary information received from the HSS, except for the HSSStartOfInterceptionWithRegisteredTarget, and provide it over LI_HI2 without undue delay.

The IRI messages shall include an IRI payload encoded according to TS 33.108 [12] clause B.9. The MDF2 shall encode the correct value of LIID in the IRI message, replacing the value "LIIDNotPresent" given in the xIRI (see clause 7.2.3.3 above).

The IRI messages shall omit the CIN (see ETSI TS 102 232-1 [9] clause 5.2.4).

The IRI messages shall be delivered over LI_HI2 according to ETSI TS 102 232-7 [10] clause 10.

Table 7.2.3.4-1: IRI type for IRI messages

IRI message	IRI type
HSServingSystemMessage	REPORT
HSSStartOfInterceptionWithRegisteredTarget	REPORT

When an additional warrant is activated on a target and the LIPF uses the same XID for the additional warrant, the MDF2 shall be able to generate and deliver the IRI message containing the HSSStartOfInterceptionWithRegisteredTarget record to the LEMF associated with the additional warrant without receiving a corresponding xIRI. The payload of the HSSStartOfInterceptionWithRegisteredTarget record is specified in table 7.2.3.3.3-1.

7.3 Location

7.3.1 Lawful Access Location Services (LALS)

7.3.1.1 General description

The LALS architecture and functionality is specified in TS 33.127 [5] clause 7.3.3.

7.3.1.2 Provisioning over LI_X1

7.3.1.2.1 Target positioning service

For the LALS target positioning service (TS 33.127 [5] clause 7.3.3.2) the IRI-POI provided by the LI-LCS Client is directly provisioned over LI_X1 by the LIPF using the LI_X1 protocol as described in clause 5.2.2 with the TaskDetailsExtensions field of the ActivateTask message specifying the type of the target positioning request, immediate vs. periodic, and, in the latter case, the periodicity of the positioning requests.

Based on national regulatory requirements and CSP policy, the TaskDetailsExtensions may also include the QoS parameters (specified in OMA-TS-MLP-V3_5-20181211-C [20]) for the use on the Le interface towards the LCS Server/GMLC. Alternatively, the QoS parameters may be statically configured in the LI-LCS Client.

Table 7.3.1.2-1 shows the details of the LI_X1 ActivateTask message used for the LI-LCS Client provisioning for the target positioning service.

The LI_X1 DeactivateTask shall be issued by the LIPF to terminate the target positioning service and withdraw the associated provisioning data, except for the Immediate target positioning service in which case the LI_X1 DeactivateTask is not used.

Table 7.3.1.2-1: ActivateTask message for LI-LCS Client target positioning provisioning

ETSI TS 103 221-1 field name	Description	M/C/O
XID	XID assigned by LIPF.	M
TargetIdentifiers	One of the following (see ETSI TS 103 221-1 [7]): - SUPIMSI. - SUPINAI. - GPSIMSISDN. - GPSINAI. - IMSI. - MSISDN (E164Number target ID format, per ETSI TS 103 221-1 [7]). - IMPU.	M
DeliveryType	Set to "X2Only".	M
ListOfDIDs	Delivery endpoints of LI_X2 interface. These delivery endpoints are configured in LI-LCS Client using the CreateDestination message as described in ETSI TS 103 221-1 [7] clause 6.3.1 prior to the task activation.	M
TaskDetailsExtensions/ PositioningServiceType	"Immediate" or "Periodic".	M
TaskDetailsExtensions/ PositioningPeriodicity	Time interval between the positioning requests in case of Periodic positioning, in seconds.	C
TaskDetailsExtensions/ PositioningParameters	Set of optional parameters for MLP SLIR message, per OMA-TS-MLP-V3_5-20181211-C [20]: - requested location type (clause 5.3.60). - requested response type (clause 5.3.112.1). - max location age (clause 5.3.65). - response timing required (clause 5.3.106). - response timer (clause 5.3.107). - horizontal accuracy with QoS class (clause 5.3.44). - altitude accuracy with QoS class (clause 5.3.6). - motion state request (clause 5.3.70).	O

7.3.1.2.2 Triggered location service

For the LALS triggered location service (TS 33.127 [5] clause 7.3.3.3) the LTF, as an IRI-TF, is provisioned by the LIPF using the LI_X1 protocol as described in clause 5.2.2. The "TaskDetailsExtensions" parameter of the ActivateTask message in this case will carry the address of LI-LCS Client to be used for the service and, optionally, the positioning parameters for use on the Le interface, similar to the target positioning provisioning.

Prior to issuing one or more "ActivateTask" requests towards an LTF, the LIPF shall provision the LTF with the LI_X2 destinations by using the "CreateDestination" operation(s), as per clause 5.2.2.

Table 7.3.1.2-2 defines the details of the LI_X1 ActivateTask message used for the LTF provisioning for the Triggered Location service.

Table 7.3.1.2-2: ActivateTask message for LTF triggered location service provisioning

ETSI TS 103 221-1 field name	Description	M/C/O
XID	XID assigned by LIPF.	M
TargetIdentifiers	<p>One or more of the following (see ETSI TS 103 221-1 [7]):</p> <ul style="list-style-type: none"> - SUPIMSI. - SUPINAI. - GPSIMSISDN. - GPSINAI. - IMSI. - MSISDN (E164Number target ID format, per ETSI TS 103 221-1 [7]). - IMPU. <p>NOTE: An ActivateTask for an LTF may be issued by the LIPF if and only if at least one of the identifiers in the above list was specified in the warrant.</p>	M
DeliveryType	Set to "X2Only".	M
ListOfDIDs	Delivery endpoints for LI-LCS Client LI_X2. These delivery endpoints are configured in LTF using the CreateDestination message as described in ETSI TS 103 221-1 [7] clause 6.3.1 prior to the task activation.	M
TaskDetailsExtensions/ LILCSClientAddress	The IP address of the LI-LCS Client for triggering.	M
TaskDetailsExtensions/ PositioningParameters	<p>Set of optional parameters for MLP SLIR message, per OMA-TS-MLP-V3_5-20181211-C [20]:</p> <ul style="list-style-type: none"> - requested location type (clause 5.3.60). - requested response type (clause 5.3.112.1). - max location age (clause 5.3.65). - response timing required (clause 5.3.106). - response timer (clause 5.3.107). - horizontal accuracy with QoS class (clause 5.3.44). - altitude accuracy with QoS class (clause 5.3.6). - motion state request (clause 5.3.70). 	O

7.3.1.3 Triggering over LI_T2

An LTF, as an IRI-TF, provisioned as described in clause 7.3.1.2.2, triggers the LI-LCS Client (which plays the role of a triggered IRI-POI) using the LI_T2 protocol as described in clause 5.2.4. The "TaskDetailsExtensions" in the LI_T2 "ActivateTask" message carries the positioning parameters mapped from information the LTF receives from the ADMF over the LI_X1. The LI_T2 "ActivateTask" message header may include a correlation ID from the triggering xIRI, if available.

Prior to issuing one or more "ActivateTask" requests towards an LI-LCS Client, the LTF shall provision the LI-LCS Client with the LI_X2 destinations by using the "CreateDestination" operation(s), as per clause 5.2.2. The LI-LCS Client shall deactivate the task on its own upon issuing the final xIRI for the trigger. There is no DeactivateTask operation on the LI_T2 for the LI-LCS Client.

Table 7.3.1.3-1 shows the details of the LI_T2 ActivateTask message used by the LTF to trigger LI-LCS Client for the triggered location service.

Table 7.3.1.3-1: ActivateTask message from LTF to LI-LCS Client for the triggered location service triggering

ETSI TS 103 221-1 field name	Description	M/C/O
XID	The same value as in the LTF provisioning (clause 7.3.3.2.2).	M
TargetIdentifiers	One of the following (see ETSI TS 103 221-1 [7]): <ul style="list-style-type: none"> - SUPIIMSI. - SUPINAI. - GPSIMSISDN. - GPSINAI. - IMSI. - MSISDN (E164Number target ID format, per ETSI TS 103 221-1 [7]). - IMPU. <p>NOTE: The target identifier used shall correspond to one of the target identifiers in the xIRI observed by the LTF, and shall be one of the identifiers provided in the ActivateTask for the LTF (clause 7.3.1.2.2).</p>	M
DeliveryType	Set to "X2Only".	M
ListOfDIDs	Delivery endpoints for LI-LCS Client LI_X2. These delivery endpoints are configured in LI-LCS Client by the LTF using the CreateDestination message as described in ETSI TS 103 221-1 [7] clause 6.3.1 prior to the task activation.	M
CorrelationID	Correlates the requested location to the triggering xIRI, if available.	C
TaskDetailsExtensions/ PositioningParameters	Set of optional parameters for MLP SLIR message, per OMA-TS-MLP-V3_5-20181211-C [20]: <ul style="list-style-type: none"> - requested location type (clause 5.3.60). - requested response type (clause 5.3.112.1). - max location age (clause 5.3.65). - response timing required (clause 5.3.106). - response timer (clause 5.3.107). - horizontal accuracy with QoS class (clause 5.3.44). - altitude accuracy with QoS class (clause 5.3.6). - motion state request (clause 5.3.70). 	O

7.3.1.4 Generation of xIRI over LI_X2

The IRI-POI provided by the LI-LCS client shall deliver the target location reports to respective MDF(s) as xIRI over the LI_X2 interface.

Table 7.3.1.4-1: LALSReport record

Field name	Type	Cardinality	Description	M/C/O
sUPI	SUPI	0..1	SUPI of the target, if used for the service (see NOTE).	C
deprecat edPEI	PEI	0..1	No longer used in present version of this specification.	C
gPSI	GPSI	0..1	GPSI of the target, if used for the service (see NOTE).	C
location	Location	0..1	Location of the target, if obtained successfully. Encoded as a <i>Location.positioningInfo</i> parameter. Both the <i>Location.positioningInfo.positionInfo</i> parameter and the <i>Location.positioningInfo.rawMLPResponse.mLPPositionData</i> parameter are present in the case of successful positioning. In the case of positioning failure only the <i>Location.positioningInfo.rawMLPResponse.mLPErrorCode</i> parameter is present.	C
iMPU	IMPU	0..1	IMPU of the target, if used for the service (see NOTE).	C
iMSI	IMSI	0..1	IMSI of the target, if used for the service (see NOTE).	C
mSISDN	MSISDN	0..1	MSISDN of the target, if used for the service (see NOTE).	C
NOTE: One and only one of SUPI, GPSI, IMSI, MSISDN, IMPU shall be present and it shall correspond to the target identifier included in the respective ActivateTask message for the LI-LCS Client.				

The LI-LCS Client generating an xIRI containing an LALSReport record shall set the Payload Direction field in the PDU header to *not applicable* (Direction Value 5, see ETSI TS 103 221-2 [8] clause 5.2.6).

The LI_X2 header (as per clause 5.3.2) of the LALSReport record presented in table 7.3.1.4-1 shall contain the correlation ID (if provided) from a respective LI_T2 ActivationTask message.

7.3.1.5 Generation of IRI over LI_HI2

The LALSReport payload, defined in clause 7.3.1.4, shall be used as the payload of the respective LALSReport record, no payload mediation is required.

A LALSReport message shall be assigned the same CIN (see ETSI TS 102 232-1 [9] clause 5.2.4) as the IRI message that triggered the LALS reporting, if that triggering IRI message is assigned a CIN. Otherwise, i.e. when the LALSReport is a result of the LALS Target Positioning, or the triggering IRI message has no CIN assigned, the CIN in the LALSReport shall be omitted.

NOTE: In some specific scenarios the amount of LALS reports data may overload the LI_HI2 and/or LI_X2 interfaces. To prevent the overload, a flow control for LALS triggered location reports may be implemented in MDF and/or LI-LCS client, e.g. by limiting the frequency of the reports for individual targets.

7.3.2 Cell database information reporting

7.3.2.1 General description

When the location information present within an xIRI includes the cell identity, the MDF2 that receives the xIRI may retrieve the cell site information and associated cell radio related information for that cell from a CSP database and deliver the same to the LEMF either within the IRI message generated from the received xIRI or in a separate IRI message containing the MDFCellSiteReport record.

For each intercept, if the MDF2 reports the cell site information, then it shall provide such information at least on the initial appearance of the cell identity in the related xIRI.

NOTE: The CSP needs to ensure that the most recent cell site information is reported to the LEA.

If the reported cell site information is for a cell with mobility, the MDF2 should report the current information (e.g. physical location of the cell) with every related xIRI.

7.3.2.2 Delivery of cell site information over LI_HI2

The cell site information is encoded as the cellSiteInformation ASN.1 parameter and delivered either within the location field of an IRI message carrying the respective cell identity, or in a stand-alone IRI message containing the MDFCellSiteReport record.

The cell radio related information is encoded as the cellRadioRelatedInformation ASN.1 parameter and delivered with the cell information parameter.

The MDF2 shall use the IRI message containing the MDFCellSiteReport record to convey cell site information and cell radio related information retrieved asynchronously with the sending of the IRI message that caused the retrieval. The MDFCellSiteReport record shall be delivered as an IRI REPORT (see ETSI TS 102 232-1 [9] clause 5.2.10) and allocated the same CIN, if any, as the IRI message that caused the retrieval.

When the cell site information and cell radio related information are readily available at MDF2 or are retrieved synchronously (i.e. blocking the sending of the IRI message until the retrieval is complete), the cell site information shall be conveyed within the location field of the IRI message that caused the retrieval.

The cell site information and associated cell radio related information for multiple cell identities can be delivered to the LEMF within an IRI message that carries the respective cell identities or within the IRI message containing the MDFCellSiteReport record (see Annex A).

The MDF2 generating the IRI message MDFCellSiteReport shall set the Payload Direction field in the PDU header to *not applicable* (Direction Value 5, see ETSI TS 103 221-2 [8] clause 5.2.6).

The MDFCellSiteReport consists of a sequence of cellInformation as described in the following tables.

Table 7.3.2.2-1: Payload for CellInformation Parameter

Field name	Type	Cardinality	Description	M/C /O
rANCGI	RANCGI	1	The RAN CGI for the cell being reported.	M
cellSiteInformation	CellSiteInformation	0..1	Contains location information for the cell site being reported. Shall be present if known at the NF where the POI is located or at the MDF.	C
timeOfLocation	Timestamp	0..1	The time the cell site information was determined.	C
cellRadioRelatedInformation	CellRadioRelatedInformation	0..1	Radio Information of reported cell to include either NG Information or F1 Information.	C
Band	RFBand	0..1	RFBand of reported cell.	C

Table 7.3.2.2-2: Payload for CellSiteInformation Parameter

Field name	Type	Cardinality	Description	M/C /O
geographicalCoordinates	GeographicalCoordinates	1	The coordinates for the cell site being reported.	M
azimuth	INTEGER (0..359)	0..1	Contains the centre azimuth for the sector being reported. Shall be present if known.	C
operatorSpecificInformation	UTF8String	0..1	Information specific to the operator reporting the cell site information.	C

Table 7.3.2.2-3: Definition of Choices for CellRadioRelatedInformation Parameter

Field name	Type	Description
nGInformation	NGInformation	Information pertaining to the setup of the NG Interface. See TS 38.413 [23] clauses 9.2.6.1 and 9.2.6.2.
f1Information	F1Information	Information pertaining to the setup of the F1 Interface. See TS 38.473 [103] clauses 9.2.1.4 and 9.2.1.5.

7.3.3 Use of the Location structure

7.3.3.1 General description

The *Location* structure (see Annex A) is used to convey access network location information and geolocation information. While the data types defined in the clauses below are generally modelled on data types from the Service Based Interfaces (SBIs) defined for specific NFs, the data types defined below shall be used by any POI in order to send all location information available at the NF where the POI is located.

When location information is reported, unless otherwise specified, all location information present at the NF for the target shall be reported. If a single parameter within the Location type is unable to carry all the types of location information available at the NF, multiple parameters within the Location type shall be used.

7.3.3.2 Location structure data types

7.3.3.2.1 Simple data types for location

Table 7.3.3.2.1-1: Simple Types for Location

Type name	Type definition	Description
AgeOfLocation	INTEGER (0..32767)	Integer value of the age of the location information or location estimate, expressed in minutes. Value "0" indicates that the location information was obtained after a successful paging procedure for Active Location Retrieval when the UE is in idle mode or after a successful NG-RAN location reporting procedure with the gNB when the UE is in connected mode. Any other value than "0" indicates that the location information is the last known one. See TS 29.572 [24] table 6.1.6.3.2-1 and TS 29.571 [17] tables 5.4.4.8-1, 5.4.4.9-1, 5.4.4.52-1 and 5.4.4.53-1.
Altitude	UTF8String	Contains a string representation of the altitude reported in meters.
Angle	INTEGER (0..360)	Integer value of the angle in degrees.
BarometricPressure	INTEGER (30000..115000)	This IE specifies the measured uncompensated atmospheric pressure in units of Pascal (Pa). Minimum: 30000. Maximum: 115000. Described in TS 29.572 [24] clause 6.1.6.3.2.
BSSID	UTF8String	The BSSID of the access point being reported.
CellID	OCTET STRING (SIZE (2))	Cell Identity, defined in TS 23.003 [19] clause 4.3.1.
CellPortionID	INTEGER (0..4095)	This parameter gives the current Cell Portion location of the target UE. The Cell Portion ID is the unique identifier for a cell portion within a cell. Defined in TS 29.171 [54] clause 7.4.31.
CivicAddressBytes	OCTET STRING	Contains the original binary data (i.e. the value of the YAML field after the base64 encoding is removed). See 29.571 [17] tables 5.4.4.64-2 and 5.4.4.64-1 for additional details.
Confidence	INTEGER (0..100)	Indicates the confidence of the location in percentage.
EPSUserLocationInformation	OCTET STRING	An extendable IE derived from the User Location Information IE (ULI) defined in TS 29.274 [87] clause 8.21.
EUTRACellID	BIT STRING (SIZE(28))	The E-UTRA Cell Identity being reported. The EUTRACellID is derived from the E-UTRA Cell Identity parameter of the E-UTRA CGI defined in TS 38.413 [23] clause 9.3.1.9.
GCI	UTF8String	Global Cable Identifier uniquely identifying the line connecting the 5G-BRG or FN-BRG to the 5GS. See TS 23.003 [19] clause 28.15.4. See TS 29.571 [17] table 5.4.2-1 for encoding.
GeodeticInformationOctet	OCTET STRING (SIZE (10))	Contains the geodetic information of the user. Derived from the GeodeticInformation type defined in TS 29.002 [47] clause 17.7.1.
GeographicalInformationOctet	OCTET STRING (SIZE (8))	Contains the geographical information of the user. Derived from the GeographicalInformation type defined in TS 29.002 [47] clause 17.7.1.
GERANGANSSPositioningData	OCTET STRING	Contains the encoded content of the "GERAN-GANSS-Positioning-Data" parameter defined in TS 29.172 [53] clause 7.4.31.
GERANPositioningData	OCTET STRING	Contains the encoded content of the "GERAN-Positioning-Data" parameter defined in TS 29.172 [53] clause 7.4.30.
GLI	OCTET STRING (SIZE(0..150))	Global Line Identifier uniquely identifying the line connecting the 5G-BRG or FN-BRG to the 5GS. See TS 23.003 [19] clause 28.16.4.

Type name	Type definition	Description
GNbID	BIT STRING (SIZE(22..32))	The gNodeB identifier being reported. The GNbID is derived from the gNB ID parameter of the Global gNB ID defined in TS 38.413 [23] clause 9.3.1.6.
HFCNodeID	UTF8String	Contains the identifier of the HFC node Id as described in TS 29.571 [17] clause 5.4.4.36 and table 5.4.2-1. It is provisioned by the wireline operator as part of wireline operations and may contain up to six characters.
HorizontalSpeed	UTF8String	Contains the string representation of the horizontal speed being reported, expressed in kilometres per hour. See TS 29.572 [24] table 6.1.6.3.2-1.
InnerRadius	INTEGER (0..327675)	Indicates the inner radius of an ellipsoid arc from 0 to 327675 meters.
MethodCode	INTEGER (16..31)	This parameter shall carry the decimal code value of the network specific positioning method as described in TS 29.572 [24] clause 6.1.6.2.15.
N3IWFIDNGAP	BIT STRING (SIZE (16))	The N3IWFIDNGAP type is used to report the N3IWF Identity received over NGAP. The N3IWFIDNGAP type is derived from the data present in the N3IWF ID parameter of the Global N3IWFID defined in TS 38.413 [23] clause 9.3.1.57.
N3IWFIDSBI	UTF8String	The N3IWFIDSBI type is used to report the N3IWF Identity received over SBI. The N3IWFIDSBI type is derived from the data present in the N3IWFID parameter of the GlocalRanNodeID defined in TS 29.571[17] clause 5.4.4.28.
NRCellID	BIT STRING (SIZE(36))	The New Radio Cell Identity being reported. The NRCellID is derived from the NR Cell Identity parameter of the NR CGI defined in TS 38.413 [23] clause 9.3.1.7.
OGCURN	UTF8String	Open Geospatial Consortium URN, reference datum used for a latitude and longitude. The reference datum identity shall be specified as an Open Geospatial Consortium URN, as defined in OGC 05-010 [35].
Orientation	INTEGER (0..180)	Integer value of the orientation angle, expressed in degrees. Encoded as per TS 29.572 [24] table 6.1.6.3.2-1.
SIPAccessInfo	UTF8String	Contains the contents of the access-info parameter of the specified Header Field of the SIP Message. See TS 24.229 [74] clauses 7.2A.4.2 and 7.2A.4.3.
SIPCellularAccessInfo	UTF8String	Contains the contents of the cellular-access-info parameter of the specified Header Field of the SIP Message. See TS 24.229 [74] clause 7.2.15.
SpeedUncertainty	UTF8String	Contains the string representation of the speed uncertainty being reported, expressed in kilometres per hour. See TS 29.572 [24] table 6.1.6.3.2-1.
SSID	UTF8String	The SSID of the access point being reported.
TNGFID	UTF8String	This represents the identifier of the TNGF ID. The TNGFID is derived from the Tngfld parameter in TS 29.571 [17] clause 5.4.4.28 and table 5.4.2-1.
Uncertainty	INTEGER (0..127)	This type has been deprecated and shall always be set to 0.
UncertaintySBI	UTF8String	Contains a string representation of the uncertainty reported in meters. See TS 29.572 [24] table 6.1.6.3.2-1.
UTRANAdditionalPositioningData	OCTET STRING	Contains the encoded content of the "UTRAN-Additional-Positioning-Data" parameter defined in TS 29.172 [53] clause 7.4.63.
UTRANGANSSPositioningData	OCTET STRING	Contains the encoded content of the "UTRAN-GANSS-Positioning-Data" parameter defined in TS 29.172 [53] clause 7.4.34.
UTRANPositioningData	OCTET STRING	Contains the encoded content of the "UTRAN-Positioning-Data" parameter defined in TS 29.172 [53] clause 7.4.33.

Type name	Type definition	Description
VerticalSpeed	UTF8String	Contains the string representation of the vertical speed being reported, expressed in kilometres per hour. See TS 29.572 [24] table 6.1.6.3.2-1.
WAGFID	UTF8String	This represents the identifier of the W-AGF ID. The WAGFID is derived from the WAgfld parameter in TS 29.571 [17] clause 5.4.4.28 and table 5.4.2-1.

7.3.3.2.2 Type: Location

Table 7.3.3.2.2-1 contains the details for the Location type.

Table 7.3.3.2.2-1: Definition of type Location

Field name	Type	Cardinality	Description	M/C /O
locationInfo	LocationInfo	0..1	Location information type derived from the data present in the ProvideLocInfo structure defined in TS 29.518 [22] clause 6.4.6.2.6. This parameter shall be used any time information from the ProvideLocInfo structure needs to be reported. This parameter shall also be used whenever information from the <i>UserLocation</i> type needs to be reported.	C
positioningInfo	PositioningInfo	0..1	Location information type derived from the data present in the ProvidePosInfo structure defined in TS 29.518 [22] clause 6.4.6.2.3. This parameter shall be used any time information from LCS operations needs to be reported from the 5GC. This structure may also be used any time information from the ProvidePosInfo structure needs to be reported.	C
locationPresenceReport	LocationPresenceReport	0..1	Location information type derived from the data present in the AMFEventReport structure defined in TS 29.518 [22] clause 6.2.6.2.5. This parameter shall be used any time location information from Namf_EventExposure Service operations needs to be reported.	C
fourGPositioningInfo	FourGPositioningInfo	0..1	Location information type derived from the data present in the Location-Report-Answer structure defined in TS 29.172 [53] clause 7.3.2 and the Provide Subscriber Location Answer defined in TS 29.172 [53] table 6.2.2-2. This parameter shall be used any time information from LCS operations needs to be reported from the EPC. This structure may also be used any time information from the Provide-Location-Answer structure needs to be reported.	C
fourGLocationInfo	FourGLocationInfo	0..1	Location information type derived from the data present in the EPS-Location-Info structure defined in TS 29.272 [106] clause 7.3.111 and the User Location Information structure defined in TS 29.274 [87] clause 8.21. This parameter shall be used any time information from the EPSLocationInformation structure needs to be reported. This parameter shall also be used whenever information from the <i>EPSUserLocation</i> type needs to be reported.	C
imsLocation	IMSLocation	0..1	Location information type derived from the data present in IMS SIP P-Access-Network-Info, Cellular-Network-Info and Geolocation headers. This parameter shall be used any time location information needs to be reported from IMS. This parameter shall only be used to report the target's location.	C

7.3.3.2.3 Type: LocationInfo

The LocationInfo type is derived from the data present in the ProvideLocInfo type (see TS 29.518 [22] clause 6.4.6.2.6). If the NF has locations from multiple RAT types, all appropriate location fields within the userLocation parameter shall be used.

Table 7.3.3.2.3-1 contains the details for the LocationInfo type.

Table 7.3.3.2.3-1: Definition of type LocationInfo

Field name	Type	Cardinality	Description	M/C/O
userLocation	UserLocation	0..1	Location information type derived from the data defined in the UserLocation type defined in TS 29.571 [17] clause 5.4.4.7. See clause 7.3.3.2.4 for details on this data type. This field shall be used to convey one or more of the following: <ul style="list-style-type: none"> - E-UTRA user location. - NR user location. - Non-3GPP access user location. - UTRA Location. - GERA Location. 	C
currentLoc	BOOLEAN	0..1	This parameter shall be present if it can be determined for the reported location. When present, this parameter shall be set as following: <ul style="list-style-type: none"> - TRUE: the current location of the UE is reported. - FALSE: the last known location of the UE is reported. 	C
geoInfo	GeographicArea	0..1	This parameter shall be present if the geoInfo parameter of the ProvideLocInfo structure (see TS 29.518 [22] clause 6.4.6.2.6) is used. See clause 7.3.3.2.10 for details on this structure.	C
rATType	RATType	0..1	This parameter shall be present if the RATType of the UE is known at the NF. See clause 7.3.3.2.20 for details on this structure.	C
timeZone	TimeZone	0..1	This parameter shall be present if the local timeZone of the UE is known at the NF.	C
additionalCellIDs	SEQUENCE OF CellInformation	0..MAX	This parameter shall be present if the NF has additional cell information for the UE. Shall be used whenever Dual Connectivity is activated or whenever secondary cell information is available at the NF where the POI is located.	C

7.3.3.2.4 Type: UserLocation

The UserLocation type is derived from the data present in the UserLocation type defined in TS 29.571 [17] clause 5.4.4.7. If the NF has locations from multiple RAT types, all appropriate location fields within the userLocation parameter shall be used.

Table 7.3.3.2.4-1 contains the details for the UserLocation type.

Table 7.3.3.2.4-1: Definition of type UserLocation

Field name	Type	Cardinality	Description	M/C/O
eUTRALocation	EUTRALocation	0..1	Location information type derived from the data present in the EutraLocation type defined in TS 29.571 [17] clause 5.4.4.8. See clause 7.3.3.2.5 for details on this data type. This parameter shall be present if an EUTRA Location is available at the NF.	C
nRLocation	NRLocation	0..1	Location information type derived from the data present in the NrLocation type defined in TS 29.571 [17] clause 5.4.4.9. See clause 7.3.3.2.6 for details on this data type. This parameter shall be present if an NR Location is available at the NF.	C
n3GALocation	N3GALocation	0..1	Location information type derived from the data present in the N3gaLocation type defined in TS 29.571 [17] clause 5.4.4.10. See clause 7.3.3.2.7 for details on this data type. This parameter shall be present if a non-3GPP access Location is available at the NF.	C
uTRALocation	UTRALocation	0..1	Location information type derived from the data present in the UtraLocation type defined in TS 29.571 [17] clause 5.4.4.52. See clause 7.3.3.2.8 for details on this data type. This parameter shall be present if a UTRAN Access Location is available at the NF.	C
gERALocation	GERALocation	0..1	Location information type derived from the data present in the GeraLocation type defined in TS 29.571 [17] clause 5.4.4.53. See clause 7.3.3.2.9 for details on this data type. This parameter shall be present if a GERAN Access Location is available at the NF.	C

7.3.3.2.5 Type: EUTRALocation

The EUTRALocation type is derived from the data present in the EutraLocation type defined in TS 29.571 [17] clause 5.4.4.8.

Table 7.3.3.2.5-1 contains the details for the EUTRALocation type.

Table 7.3.3.2.5-1: Definition of type EUTRALocation

Field name	Type	Cardinality	Description	M/C/O
tAI	TAI	1	Tracking Area Identity of the target. If the TAI information is not available, the TAC of the TAI shall be set to one reserved value (e.g. 0x0000, see TS 23.003 [19] clause 19.4.2.3) and the value of the ignoreTAI parameter shall be set to TRUE.	M
eCGI	ECGI	1	E-UTRA Cell Identity for the cell where the target is located.	M
ageOfLocationInfo	AgeOfLocation	0..1	The value represents the elapsed time in minutes since the last network contact of the mobile station. Shall be present if known at the NF where the POI is located.	C
uELocationTimestamp	Timestamp	0..1	The value represents the UTC time when the EUTRALocation information was acquired. Shall be present if known at the NF where the POI is located.	C
geographicalInformation	UTF8String	0..1	Shall be present if known at the NF where the POI is located. If present, this parameter shall be populated with the Hexadecimal value of the location encoded as described in TS 23.032 [104] clauses 6 and 7.3.	C
geodeticInformation	UTF8String	0..1	Shall be present if known at the NF where the POI is located. If present, this parameter shall be populated with the Hexadecimal value of the location encoded as described in ITU-T Recommendation Q.763 (1999) [105] clause 3.88.	C
globalNGENbID	GlobalRANNodeID	0..1	Indicates the global identity of the ng-eNodeB in which the UE is currently located. Shall be present if known at the NF where the POI is located.	C
cellSiteInformation	CellSiteInformation	0..1	Contains location information for the cell site being reported. Shall be present if known at the NF where the POI is located or known at the MDF.	C
globalENbID	GlobalRANNodeID	0..1	Indicates the global identity of the eNodeB in which the UE is currently located. Shall be present if known at the NF where the POI is located.	C
ignoreTAI	BOOLEAN	0..1	This flag, when present, shall indicate if the tAI shall be ignored. When present, it shall be set as follows: - TRUE: tAI shall be ignored. - FALSE: tAI shall not be ignored.	C
ignoreECGI	BOOLEAN	0..1	This flag, when present, shall indicate if the eCGI shall be ignored. When present, it shall be set as follows: - TRUE: eCGI shall be ignored. - FALSE: eCGI shall not be ignored.	C

7.3.3.2.6 Type: NRLocation

The NRLocation type is derived from the data present in the NrLocation type defined in TS 29.571 [17] clause 5.4.4.9.

Table 7.3.3.2.6-1 contains the details for the NRLocation type.

Table 7.3.3.2.6-1: Definition of type NRLocation

Field name	Type	Cardinality	Description	M/C /O
tAI	TAI	1	Tracking Area Identity of the target. If the TAI information is not available, the TAC of the TAI shall be set to one reserved value (e.g. 0x0000, see TS 23.003 [19] clause 19.4.2.3).	M
nCGI	NCGI	1	NR Cell Identity for the cell where the target is located.	M
ageOfLocationInfo	AgeOfLocation	0..1	The value represents the elapsed time in minutes since the last network contact of the mobile station. Shall be present if known at the NF where the POI is located.	C
uELocationTimestamp	Timestamp	0..1	The value represents the UTC time when the NRLocation information was acquired. Shall be present if known at the NF where the POI is located.	C
geographicalInformation	UTF8String	0..1	Shall be present if known at the NF where the POI is located. If present, this parameter shall be populated with the Hexadecimal value of the location encoded as described in TS 23.032 [104] clauses 6 and 7.3.	C
geodeticInformation	UTF8String	0..1	Shall be present if known at the NF where the POI is located. If present, this parameter shall be populated with the Hexadecimal value of the location encoded as described in ITU-T Recommendation Q.763 (1999) [105] clause 3.88.	C
globalGNbID	GlobalRANNodeID	0..1	Indicates the global identity of the gNodeB in which the UE is currently located. Shall be present if known at the NF where the POI is located.	C
cellSiteInformation	CellSiteInformation	0..1	Contains location information for the cell site being reported. Shall be present if known at the NF where the POI is located or known at the MDF.	C
ignoreNCGI	BOOLEAN	0..1	This flag, when present, shall indicate if the nCGI shall be ignored. When present, it shall be set as follows: - TRUE: nCGI shall be ignored. - FALSE: nCGI shall not be ignored.	C
nRNTNTAIInfo	NRNTNTAIInfo	0..1	Contains NR NTN TAI Information. When present the TAI is set to the reserved value and shall be ignored by the receiver. See TS 29.571 [17] clause 5.4.4.9 and TS 38.413 [23] clause 9.3.3.53.	C
iABMTUserLocation	IABMTUserLocation	0..1	Indicates the user location information of a mobile IAB-MT which is co-located with the UE's serving IAB Cell. See TS 38.413 [23] clause 9.3.1.260.	C

Table 7.3.3.2.6-2: Structure of NTNTAIInfo Parameter

Field name	Type	Cardinality	Description	M/C /O
servingPLMN	PLMNID	1	Indicates the PLMN currently serving the target.	M
tACLlistNRNTN	TAC	1..MAX	Provides the available TAC List for the NTN connection of the target.	M
uELocationDerivedNTN	TAC	0..1	Contains information derived from the actual UE location, if available.	C

Table 7.3.3.2.6-3: Structure of IABMTUserLocation Parameter

Field name	Type	Cardinality	Description	M/C /O
nRCGI	NCGI	1	Provides the NCGI of the cell serving the mobile IAB-MT.	M
tAI	TAI	0..1	Provides the TAI supported by the cell which is serving the mobile IAB-MT.	C

7.3.3.2.7 Type: N3GALocation

The N3GALocation type is derived from the data present in the N3gaLocation type defined in TS 29.571 [17] clause 5.4.4.10.

Table 7.3.3.2.7-1 contains the details for the N3GALocation type.

Table 7.3.3.2.7-1: Definition of type N3GALocation

Field name	Type	Cardinality	Description	M/C /O
tAI	TAI	0..1	Tracking Area Identity used by the target for non-3GPP access. Shall be present if known at the NF where the POI is located.	C
n3IWFID	N3IWFIDNGAP	0..1	This field shall contain the N3IWF identifier received over NGAP if it is known at the NF where the POI is located.	C
uEIPAddr	IPAddr	0..1	The IP address used by the UE on the non-3GPP access network. Shall be present if known at the NF where the POI is located.	C
portNumber	INTEGER	0..1	The source port number used by the UE for non-3GPP access. Shall be present if known at the NF where the POI is located.	C
tNAPID	TNAPID	0..1	The TNAP Identifier for the TNAP in use by the UE. Shall be present if known at the NF where the POI is located.	C
tWAPID	TWAPID	0..1	The TWAP Identifier for the TWAP in use by the UE. Shall be present if known at the NF where the POI is located.	C
hFCNodeID	HFCNodeID	0..1	This field shall contain the HFC Node Identifier received over NGAP. It shall be present for a 5G-CRG/FN-CRG accessing the 5GC via wireline access network.	C
gLI	GLI	0..1	The Global Line Identifier for the access network being used by the UE. It shall be present for a 5G-BRG/FN-BRG accessing the 5GC via wireline access network.	C
w5GBANLineType	W5GBANLineType	0..1	Indicates the type of wireline access. Shall be present if known at the NF where the POI is located.	C
gCI	GCI	0..1	The Global Cable Identifier for the wireline access device used by the UE to access the core network. Shall be present if known at the NF where the POI is located.	C
ageOfLocationInfo	AgeOfLocation	0..1	The value represents the elapsed time in minutes since the last network contact of the mobile station. Shall be present if known at the NF where the POI is located.	C
uELocationTimestamp	Timestamp	0..1	The value represents the UTC time when the NRLocation information was acquired. Shall be present if known at the NF where the POI is located.	C
protocol	TransportProtocol	0..1	Indicates the transport protocol used by the UE to access the core network via a trusted or untrusted non-3GPP access and NAT is detected. Shall be present if known at the NF where the POI is located.	C

7.3.3.2.8 Type: UTRALocation

The UTRALocation type is derived from the data present in the EutraLocation type defined in TS 29.571 [17] clause 5.4.4.52.

Table 7.3.3.2.8-1 contains the details for the UTRALocation type.

Table 7.3.3.2.8-1: Definition of type UTRALocation

Field name	Type	Cardinality	Description	M/C/O
cGI	CGI	0..1	The Cell Global Identification for the UTRA Cell the UE is currently located in. Shall be present if known at the NF where the POI is located.	C
sAI	SAI	0..1	Service Area Identity of the target. Shall be present if known at the NF where the POI is located.	C
lAI	LAI	0..1	Location Area Identity of the target. Shall be present if known at the NF where the POI is located.	C
rAI	RAI	0..1	Routing Area Identity of the target. Shall be present if known at the NF where the POI is located.	C
ageOfLocationInfo	INTEGER	0..1	The value represents the elapsed time in minutes since the last network contact of the mobile station. Value "0" indicates that the location information was obtained after a successful paging procedure for Active Location Retrieval when the UE is in idle mode or after a successful UTRAN location reporting procedure when the UE is in connected mode. Any other value than "0" indicates that the location information is the last known one. Shall be present if known at the NF where the POI is located.	C
uELocationTimestamp	Timestamp	0..1	The value represents the UTC time when the UTRALocation information was acquired. Shall be present if known at the NF where the POI is located.	C
geographicalInformation	UTF8String	0..1	Shall be present if known at the NF where the POI is located. If present, this parameter shall be populated with the Hexadecimal value of the location encoded as described in TS 23.032 [104] clauses 6 and 7.3.	C
geodeticInformation	UTF8String	0..1	Shall be present if known at the NF where the POI is located. If present, this parameter shall be populated with the Hexadecimal value of the location encoded as described in ITU-T Recommendation Q.763 (1999) [105] clause 3.88.	C
cellSiteInformation	CellSiteInformation	0..1	Contains location information for the cell site being reported. Shall be present if known at the NF where the POI is located or known at the MDF.	C

7.3.3.2.9 Type: GERALocation

The GERALocation type is derived from the data present in the GeraLocation type defined in TS 29.571 [17] clause 5.4.4.53.

Table 7.3.3.2.9-1 contains the details for the GERALocation type.

Table 7.3.3.2.9-1: Definition of type GERALocation

Field name	Type	Cardinality	Description	M/C/O
locationNumber	GERALocationNumber	0..1	The Location Number within the PLMN where the UE is currently located. Shall be present if known at the NF where the POI is located.	C
cGI	CGI	0..1	The Cell Global Identification for the GERA Cell the UE is currently located in. Shall be present if known at the NF where the POI is located.	C
rAI	RAI	0..1	Routing Area Identity of the target. Shall be present if known at the NF where the POI is located.	C
sAI	SAI	0..1	Service Area Identity of the target. Shall be present if known at the NF where the POI is located.	C
lAI	LAI	0..1	Location Area Identity of the target. Shall be present if known at the NF where the POI is located.	C
vLRNumber	UTF8String	0..1	The VLR Number for the VLR where the UE is currently registered. Shall be present if known at the NF where the POI is located.	C
mSCNumber	UTF8String	0..1	The MSC Number for the MSC currently serving the UE. Shall be present if known at the NF where the POI is located.	
ageOfLocationInfo	INTEGER	0..1	The value represents the elapsed time in minutes since the last network contact of the mobile station. Value "0" indicates that the location information was obtained after a successful paging procedure for Active Location Retrieval when the UE is in idle mode or after a successful GERAN location reporting procedure when the UE is in connected mode. Any other value than "0" indicates that the location information is the last known one. Shall be present if known at the NF where the POI is located.	C
uELocationTimestamp	Timestamp	0..1	The value represents the UTC time when the GERALocation information was acquired. Shall be present if known at the NF where the POI is located.	C
geographicalInformation	UTF8String	0..1	Shall be present if known at the NF where the POI is located. If present, this parameter shall be populated with the Hexadecimal value of the location encoded as described in TS 23.032 [104] clauses 6 and 7.3.	C
geodeticInformation	UTF8String	0..1	Shall be present if known at the NF where the POI is located. If present, this parameter shall be populated with the Hexadecimal value of the location encoded as described in ITU-T Recommendation Q.763 (1999) [105] clause 3.88.	C
cellSiteInformation	CellSiteInformation	0..1	Contains location information for the cell site being reported. Shall be present if known at the NF where the POI is located or known at the MDF.	C

7.3.3.2.10 Type: GeographicArea

The GeographicArea type is derived from the data present in the GeographicArea type defined in TS 29.572 [24] clause 6.1.6.2.5.

Table 7.3.3.2.10-1 contains the details for the GeographicArea type.

Table 7.3.3.2.10-1: Definition of Choices for GeographicArea

CHOICE	Type	Description
point	Point	Geographical area consisting of a single point, represented by its longitude and latitude.
pointUncertaintyCircle	PointUncertaintyCircle	Geographical area consisting of a point and an uncertainty value.
pointUncertaintyEllipse	PointUncertaintyEllipse	Geographical area consisting of a point, plus an uncertainty ellipse and a confidence value.
polygon	Polygon	Geographical area consisting of a list of points (between 3 to 15 points).
pointAltitude	PointAltitude	Geographical area consisting of a point and an altitude value.
pointAltitudeUncertainty	PointAltitudeUncertainty	Geographical area consisting of a point, an altitude value and an uncertainty value.
ellipsoidArc	EllipsoidArc	Geographical area consisting of an ellipsoid arc.

7.3.3.2.11 Type: Point

The Point type is derived from the data present in the Point type defined in TS 29.572 [24] clause 6.1.6.2.6.

Table 7.3.3.2.11-1 contains the details for the Point type.

Table 7.3.3.2.11-1: Definition of type Point

Field name	Type	Cardinality	Description	M/C/O
geographicalCoordinates	GeographicalCoordinates	1	Indicates a geographic point represented by its longitude and latitude.	M

7.3.3.2.12 Type: GeographicalCoordinates

The GeographicalCoordinates type is derived from the data present in the GeographicalCoordinates type defined in TS 29.572 [24] clause 6.1.6.2.4.

Table 7.3.3.2.12-1 contains the details for the GeographicalCoordinates type.

Table 7.3.3.2.12-1: Definition of type GeographicalCoordinates

Field name	Type	Cardinality	Description	M/C/O
latitude	UTF8String	1	Shall contain a string representation of the latitude.	M
longitude	UTF8String	1	Shall contain a string representation of the longitude.	M
mapDatumInformation	OGCURN	0..1	The reference datum used for the GeographicalCoordinates. Shall be present if known by the operator.	C
NOTE: The order of the latitude and longitude parameters in the locally defined GeographicalCoordinates type are different than the order of the parameters defined by the GeographicalCoordinates type defined in TS 29.572 [24] clause 6.1.6.2.4.				

7.3.3.2.13 Type: PointUncertaintyCircle

The PointUncertaintyCircle type is derived from the data present in the PointUncertaintyCircle type defined in TS 29.572 [24] clause 6.1.6.2.7.

Table 7.3.3.2.13-1 contains the details for the PointUncertaintyCircle type.

Table 7.3.3.2.13-1: Definition of type PointUncertaintyCircle

Field name	Type	Cardinality	Description	M/C /O
geographicalCoordinates	GeographicalCoordinates	1	Indicates the geographic point for the centre of the circle represented by its longitude and latitude.	M
deprecatedUncertainty	Uncertainty	1	No longer used in present version of this specification and shall always be set to 0. The uncertaintySBI parameter shall be used instead.	M
uncertaintySBI	UncertaintySBI	0..1	Indicates the radius of the uncertainty circle. Expressed in meters. Shall be provided. This parameter is conditional only for backwards compatibility.	C

7.3.3.2.14 Type: PointUncertaintyEllipse

The PointUncertaintyEllipse type is derived from the data present in the PointUncertaintyEllipse type defined in TS 29.572 [24] clause 6.1.6.2.8.

Table 7.3.3.2.14-1 contains the details for the PointUncertaintyEllipse type.

Table 7.3.3.2.14-1: Definition of type PointUncertaintyEllipse

Field name	Type	Cardinality	Description	M/C /O
geographicalCoordinates	GeographicalCoordinates	1	Indicates a geographic point for the centre of the ellipse represented by its longitude and latitude.	M
uncertainty	UncertaintyEllipse	1	Describes an uncertainty ellipse.	M
confidence	Confidence	1	Indicates the confidence of the location as a percentage.	M

7.3.3.2.15 Type: UncertaintyEllipse

The UncertaintyEllipse type is derived from the data present in the UncertaintyEllipse type defined in TS 29.572 [24] clause 6.1.6.2.22.

Table 7.3.3.2.15-1 contains the details for the UncertaintyEllipse type.

Table 7.3.3.2.15-1: Definition of type UncertaintyEllipse

Field name	Type	Cardinality	Description	M/C /O
deprecatedSemiMajor	Uncertainty	1	No longer used in present version of this specification and shall always be set to 0. The semiMajorSBI parameter shall be used instead.	M
deprecatedSemiMinor	Uncertainty	1	No longer used in present version of this specification and shall always be set to 0. The semiMinorSBI parameter shall be used instead.	M
orientationMajor	Orientation	1	Indicates the orientation of the major axis in degrees.	M
semiMajorSBI	UncertaintySBI	0..1	Indicates the semi-major axis of the uncertainty ellipse in meters. Shall be provided. This parameter is conditional only for backwards compatibility.	C
semiMinorSBI	UncertaintySBI	0..1	Indicates the semi-minor axis of the uncertainty ellipse in meters. Shall be provided. This parameter is conditional only for backwards compatibility.	C

7.3.3.2.16 Type: Polygon

The Polygon type is derived from the data present in the Polygon type defined in TS 29.572 [24] clause 6.1.6.2.9.

Table 7.3.3.2.16-1 contains the details for the Polygon type.

Table 7.3.3.2.16-1: Definition of type Polygon

Field name	Type	Cardinality	Description	M/C /O
pointList	SET OF GeographicalCoordinates	3..15	Contains a list of 3-15 points defining the corners of a polygon.	M

7.3.3.2.17 Type: PointAltitude

The PointAltitude type is derived from the data present in the PointAltitude type defined in TS 29.572 [24] clause 6.1.6.2.10.

Table 7.3.3.2.17-1 contains the details for the PointAltitude type.

Table 7.3.3.2.17-1: Definition of type PointAltitude

Field name	Type	Cardinality	Description	M/C /O
geographicalCoordinates	GeographicalCoordinates	1	Indicates a geographic point represented by its longitude and latitude.	M
altitude	Altitude	1	Indicates the altitude of the UE in meters.	M

7.3.3.2.18 Type: PointAltitudeUncertainty

The PointAltitudeUncertainty type is derived from the data present in the PointAltitudeUncertainty type defined in TS 29.572 [24] clause 6.1.6.2.11.

Table 7.3.3.2.18-1 contains the details for the PointAltitudeUncertainty type.

Table 7.3.3.2.18-1: Definition of type PointAltitudeUncertainty

Field name	Type	Cardinality	Description	M/C /O
geographicalCoordinates	GeographicalCoordinates	1	Indicates a geographic point represented by its longitude and latitude.	M
altitude	Altitude	1	Indicates the altitude of the UE in meters.	M
uncertaintyEllipse	UncertaintyEllipse	1	Describes an uncertainty ellipse.	M
deprecatedUncertaintyAltitude	Uncertainty	1	No longer used in present version of this specification and shall be set to 0. The uncertaintyAltitudeSBI parameter shall be used instead.	M
confidence	Confidence	1	Indicates the confidence of the location as a percentage.	M
uncertaintyAltitudeSBI	UncertaintySBI	0..1	Indicates the uncertainty of the altitude in meters. Shall be provided. This parameter is conditional only for backwards compatibility.	C

7.3.3.2.19 Type: EllipsoidArc

The EllipsoidArc type is derived from the data present in the EllipsoidArc type defined in TS 29.572 [24] clause 6.1.6.2.12.

Table 7.3.3.2.19-1 contains the details for the EllipsoidArc type.

Table 7.3.3.2.19-1: Definition of type EllipsoidArc

Field name	Type	Cardinality	Description	M/C/O
geographicalCoordinates	GeographicalCoordinates	1	Indicates a geographic point represented by its longitude and latitude.	M
innerRadius	InnerRadius	1	Indicates the inner radius of the ellipsoid arc in meters.	M
deprecatedUncertaintyRadius	Uncertainty	1	No longer used in present version of this specification and shall be set to 0. The uncertaintyRadiusSBI parameter shall be used instead.	M
offsetAngle	Angle	1	Indicates the angle from North to the first defining radius of the arc in degrees.	M
includedAngle	Angle	1	Indicates the angle from the first defining radius of the arc to the second in degrees.	M
confidence	Confidence	1	Indicates the confidence of the location as a percentage.	M
uncertaintyRadiusSBI	UncertaintySBI	0..1	Indicates the width of the uncertainty arc in meters. Shall be provided. This parameter is conditional only for backwards compatibility.	C

7.3.3.2.20 Enumeration: RATType

The RATType type is derived from the data present in the RATType type defined in TS 29.571 [17] clause 5.4.3.2.

Table 7.3.3.2.20-1 contains the details for the RATType type.

Table 7.3.3.2.20-1: Enumeration for RATType

Enumeration	Description
nR(1)	New Radio
eUTRA(2)	(WB) Evolved Universal Terrestrial Radio Access
wLAN(3)	Untrusted Wireless LAN (IEEE 802.11) access
nBIOT(4)	NB IoT
Wireline(5)	Wireline access
wirelineCable(6)	Wireline Cable Access
wirelineBBF(7)	Wireline BBF Access
ITEM(8)	LTE-M. Also used when a Category M UE using E-UTRA has provided a Category M indication to the NG-RAN
nRU(9)	New Radio in unlicensed bands
eUTRAU(10)	(WB) Evolved Universal Terrestrial Radio Access in unlicensed bands
trustedN3GA(11)	Trusted Non-3GPP access
trustedWLAN(12)	Trusted Wireless LAN (IEEE 802.11) access
uTRA(13)	UMTS Terrestrial Radio Access
gERA(14)	GSM EDGE Radio Access Network
nRLEO(15)	NR (LEO) satellite access type
nRMEO(16)	NR (MEO) satellite access type
nRGEO(17)	NR (GEO) satellite access type
nROTHERSAT(18)	NR (OTHERSAT) satellite access type
nRREDCAP(19)	NR RedCap access type

7.3.3.2.21 Type: CellInformation

Table 7.3.2.2-1 contains the details for the CellInformation type.

Table 7.3.3.2.21-1: Void

7.3.3.2.22 Type: RANCGI

Table 7.3.3.2.22-1 contains the details for the RANCGI type.

Table 7.3.3.2.22-1: Definition of Choices for RANCGI

CHOICE	Type	Description
eCGI	ECGI	Shall be used to report the E-UTRA Cell Identity.
nCGI	NCGI	Shall be used to report the NR Cell Identity.
CGI	CGI	Shall be used to report the GERA or UTRA Cell Identity.

7.3.3.2.23 Type: TAI

The TAI type is used to report the Tracking Area Identity. The TAI type is derived from the data present in the EutraLocation type defined in TS 29.571 [17] clause 5.4.4.3.

Table 7.3.3.2.23-1 contains the details for the TAI type.

Table 7.3.3.2.23-1: Definition of type TAI

Field name	Type	Cardinality	Description	M/C /O
pLMNID	PLMNID	1	The PLMN Identity of the TAI.	M
tAC	TAC	1	The Tracking Area Code for the Tracking Area being reported.	M
nID	NID	0..1	Network Identifier of the Tracking Area being reported. Shall be present if the TAI being reported belongs to an SNPN.	C

7.3.3.2.24 Type: ECGI

The ECGI type is used to report the E-UTRA Cell Identity. The ECGI type is derived from the data present in the ECGI type defined in TS 29.571 [17] clause 5.4.4.5.

Table 7.3.3.2.24-1 contains the details for the ECGI type.

Table 7.3.3.2.24-1: Definition of type ECGI

Field name	Type	Cardinality	Description	M/C /O
pLMNID	PLMNID	1	The PLMN Identity of the cell being reported.	M
eUTRACellID	EUTRACellID	1	The E-UTRA Cell Identity for the cell being reported.	M
nID	NID	0..1	Network Identifier of the cell being reported. Shall be present if the cell being reported belongs to an SNPN.	C

7.3.3.2.25 Type: GlobalRANNodeID

The GlobalRANNodeID type is derived from the data present in the GlobalRANNodeID type defined in TS 29.571 [17] clause 5.4.4.28.

Table 7.3.3.2.25-1 contains the details for the GlobalRANNodeID type.

Table 7.3.3.2.25-1: Definition of type GlobalRANNodeID

Field name	Type	Cardinality	Description	M/C /O
pLMNID	PLMNID	1	The PLMN Identity of the RAN Node.	M
aNNodeID	ANNodeID	1	The Global Identifier for the Access Node.	M
nID	NID	0..1	Network Identifier of the cell being reported. Shall be present if the cell being reported belongs to an SNPN.	C

7.3.3.2.26 Type: ANNodeID

The ANNodeID type is derived from the data present in the GlobalRANNodeID type defined in TS 29.571 [17] clause 5.4.4.28.

Table 7.3.3.2.26-1 contains the details for the ANNodeID type.

Table 7.3.3.2.26-1: Choices for ANNodeID

CHOICE	Type	Description
n3IWFID	N3IWFIDSBI	Shall be chosen if the AN node represents a N3IWF. When present, this field shall contain the identifier of the N3IWF.
gNBID	GNBID	Shall be chosen if the RAN Node ID represents a gNB. When present, this field shall contain the identifier of the gNB.
nGENbID	NGENbID	Shall be chosen if the RAN Node ID represents a NG-eNB. When present, this field shall contain the identifier of the NG-eNB.
eNbID	ENbID	Shall be chosen if the RAN Node ID represents a eNB. When present, this field shall contain the identifier of the eNB.
wAGFID	WAGFID	if the RAN Node ID represents a WAGF. When present, this field shall contain the identifier of the WAGF.
tNGFID	TNGFID	Shall be present if the RAN Node ID represents a TNGF. When present, this field shall contain the identifier of the TNGF.

7.3.3.2.27 Type: NgENbID

The nGENbID type is derived from the data present in the NgeNbId type defined in TS 29.571 [17] table 5.4.2-1.

Table 7.3.3.2.27-1 contains the details for the NGENbID type.

Table 7.3.3.2.27-1: Definition of type NGENbID

CHOICE	Type	Description
macroNGENbID	BIT STRING (SIZE(20))	Shall be chosen if the ng-eNB ID is a Macro ng-eNB ID. Shall be encoded as described in TS 38.413 [23] clause 9.3.1.8.
shortMacroNGENbID	BIT STRING (SIZE(18))	Shall be chosen if the ng-eNB ID is a Short Macro ng-eNB ID. Shall be encoded as described in TS 38.413 [23] clause 9.3.1.8.
longMacroNGENbID	BIT STRING (SIZE(21))	Shall be chosen if the ng-eNB ID is a Long Macro ng-eNB ID. Shall be encoded as described in TS 38.413 [23] clause 9.3.1.8.

7.3.3.2.28 Type: NCGI

The NCGI type is used to report the NR Cell Identity. The NCGI type is derived from the data present in the NCGI type defined in TS 29.571 [17] clause 5.4.4.6.

Table 7.3.3.2.28-1 contains the details for the NCGI type.

Table 7.3.3.2.28-1: Definition of type NCGI

Field name	Type	Cardinality	Description	M/C /O
pLMNID	PLMNID	1	The PLMN Identity of the cell being reported.	M
nRCellID	NRCellID	1	The NR Cell Identity for the cell being reported.	M
nID	NID	0..1	Network Identifier of the cell being reported. Shall be present if the cell being reported belongs to an SNPN.	C

7.3.3.2.29 Type: IPAddr

The IPAddr type is used to report IP Addresses.

Table 7.3.3.2.29-1 contains the details for the IPAddr type.

Table 7.3.3.2.29-1: Definition of type IPAddr

Field name	Type	Cardinality	Description	M/C /O
iPv4Address	IPv4Address	0..1	The IPv4 address being reported. Shall be included if known at the NF where the POI is located.	C
iPv6Address	IPv6Address	0..1	The IPv6 address being reported. Shall be included if known at the NF where the POI is located.	C

7.3.3.2.30 Type: TNAPID

The TNAPID type is used to report the TNAP Identity. The TNAPID type is derived from the data present in the TnapId type defined in TS 29.571 [17] clause 5.4.4.62.

Table 7.3.3.2.30-1 contains the details for the TNAPID type.

Table 7.3.3.2.30-1: Definition of type TNAPID

Field name	Type	Cardinality	Description	M/C /O
sSID	SSID	0..1	The SSID of the access point to which the UE is attached. This parameter shall be present when the UE is accessing the 5GC via a trusted WLAN or if known at the NF where the POI is located.	C
bSSID	BSSID	0..1	The SSID of the access point to which the UE is attached. This parameter shall be present if known at the NF where the POI is located.	C
civicAddress	CivicAddressBytes	0..1	The civic address of the TNAP to which the UE is attached including the associated Location-Information and Location-Data (see TS 29.571 [17] table 5.4.4.62-1. This parameter shall be present if known at the NF where the POI is located.	C

7.3.3.2.31 Type: TWAPID

The TWAPID type is used to report the TWAP Identity. The TWAPID type is derived from the data present in the TwapId type defined in TS 29.571 [17] clause 5.4.4.63.

Table 7.3.3.2.31-1 contains the details for the TWAPID type.

Table 7.3.3.2.31-1: Definition of type TWAPID

Field name	Type	Cardinality	Description	M/C /O
sSID	SSID	0..1	The SSID of the access point to which the UE is attached.	MD
bSSID	BSSID	0..1	The SSID of the access point to which the UE is attached. This parameter shall be present if known at the NF where the POI is located.	C
civicAddress	CivicAddressBytes	0..1	The civic address of the TNAP to which the UE is attached including the associated Location-Information and Location-Data (see TS 29.571 [17] table 5.4.4.62-1. This parameter shall be present if known at the NF where the POI is located.	C

7.3.3.2.32 Enumeration: W5GBANLineType

The W5GBANLineType indicates the type of wireline access used connect to the 5GS. The W5GBANLineType type is derived from the data present in the LineType type defined in TS 29.571 [17] clause 5.4.3.33.

Table 7.3.3.2.32-1 contains the details for the W5GBANLineType type.

Table 7.3.3.2.32-1: Enumeration W5GBANLineType

Enumeration value	Description
dSL(1)	DSL Line
pON(2)	PON Line

7.3.3.2.33 Enumeration: TransportProtocol

The TransportProtocol indicates the transport protocol used to connect to the 5GS. The TransportProtocol type is derived from the data present in the TransportProtocol type defined in TS 29.571 [17] clause 5.4.4.10 and table 5.4.3.38.

Table 7.3.3.2.33-1 contains the details for the clause TransportProtocol type.

Table 7.3.3.2.33-1: Enumeration TransportProtocol Type

Enumeration value	Description
uDP(1)	UDP is in use.
tCP(2)	TCP is in use.

7.3.3.2.34 Type: PLMNID

The PLMNID type is used to report the PLMN Identity. The PLMNID type is derived from the data present in the PlmnId type defined in TS 29.571 [17] clause 5.4.4.3.

Table 7.3.3.2.34-1 contains the details for the PLMNID type.

Table 7.3.3.2.34-1: Definition of type PLMNID

Field name	Type	Cardinality	Description	M/C /O
mCC	MCC	1	The Mobile Country Code	M
mNC	MNC	1	The Mobile Network Code	M

7.3.3.2.35 Type: ENbID

The ENbID type is used to report the ENb Identity. The ENbID type is derived from the data present in the ENbId type defined in TS 29.571 [17] clause 5.4.2.

Table 7.3.3.2.35-1 contains the details for the ENbID type.

Table 7.3.3.2.35-1: Definition of type ENbID

CHOICE	Type	Description
macroENbID	BIT STRING (SIZE(20))	Shall be chosen if the eNB ID is a Macro eNB ID. Shall be encoded as described in TS 36.413 [38] clause 9.2.1.37.
homeENbID	BIT STRING (SIZE(28))	Shall be chosen if the eNB ID is a Home eNB ID. Shall be encoded as described in TS 36.413 [38] clause 9.2.1.37.
shortMacroENbID	BIT STRING (SIZE(18))	Shall be chosen if the eNB ID is a Short Macro eNB ID. Shall be encoded as described in TS 36.413 [38] clause 9.2.1.37.
longMacroENbID	BIT STRING (SIZE(21))	Shall be chosen if the eNB ID is a Long Macro eNB ID. Shall be encoded as described in TS 36.413 [38] clause 9.2.1.37.

7.3.3.2.36 Type: PositioningInfo

The PositioningInfo type is derived from the data present in the ProvidePosInfo type defined in TS 29.518 [22] clause 6.4.6.2.3.

Table 7.3.3.2.36-1 contains the details for the PositioningInfo type.

Table 7.3.3.2.36-1: Definition of type PositioningInfo

Field name	Type	Cardinality	Description	M/C /O
positionInfo	LocationData	0..1	This parameter shall be used any time information from LCS operations needs to be reported from the 5GC. This structure may also be used any time information from the ProvidePosInfo structure needs to be reported. This field is derived from the data present in the ProvidePosInfo type defined in TS 29.518 [22] clause 6.4.6.2.3.	C
rawMLPResponse	RawMLPResponse	0..1	This field shall be used in the location field of the LALSReport record see clause 7.3.1.4. This field contains a copy of the unparsed XML code of the MLP Answer and Report messages. The contents of this field is described in OMA-TS-MLP-V3_5-20181211-C [20] clause 5.2.3.2.	C

7.3.3.2.37 Type: LocationData

The LocationData type is derived from the data present in the LocationData type defined in TS 29.572 [24] clause 6.1.6.2.3.

Table 7.3.3.2.37-1 contains the details for the LocationData type.

Table 7.3.3.2.37-1: Definition of type LocationData

Field name	Type	Cardinality	Description	M/C /O
locationEstimate	GeographicArea	1	This field shall contain an estimate of the location of the UE in universal coordinates and the accuracy of the estimate. TS 29.572 [24] clause 6.1.6.2.5.	M
accuracyFulfilmentIndicator	AccuracyFulfilmentIndicator	0..1	This enumerated field shall be present to represent whether the requested accuracy was fulfilled or not. Shall be encoded as described in TS 29.572 [24] clause 6.1.6.3.12.	C
ageOfLocationEstimate	AgeOfLocation	0..1	This field shall be present if information is available at the NF. Shall be encoded as described in TS 29.572 [24] table 6.1.6.3.2-1.	C
velocityEstimate	VelocityEstimate	0..1	This field shall be present if information is available at the NF. Shall be encoded as described in TS 29.572 [24] clause 6.1.6.2.17.	C
civicAddress	CivicAddress	0..1	This field shall be present if information is available at the NF. Shall be encoded as described in TS 29.572 [24] clause 6.1.6.2.14.	C
positioningDataList	SET OF PositioningMethodAndUsage	0..MAX	This field shall be present if information is available at the NF. Shall be encoded as described in TS 29.572 [24] clause 6.1.6.2.15.	C
gnSSPositioningDataList	SET OF GNSSPositioningMethodAndUsage	0..MAX	This field shall be present if information is available at the NF. Shall be encoded as described in TS 29.572 [24] clause 6.1.6.2.16.	C
eCGI	ECGI	0..1	This field shall be present if information is available at the NF. Shall be encoded as described in TS 29.571 [17] clause 5.4.4.5.	C
nCGI	NCGI	0..1	This field shall be present if information is available at the NF. Shall be encoded as described in TS 29.571 [17] clause 5.4.4.6.	C
altitude	Altitude	0..1	This field shall be present if information is available at the NF. Shall be encoded as described in TS 29.572 [24] table 6.1.6.3.2-1.	C
barometricPressure	BarometricPressure	0..1	This field shall be present if information is available at the NF. Shall be encoded as described in TS 29.572 [24] table 6.1.6.3.2-1.	C

7.3.3.2.38 Type: RawMLPResponse

The RawMLPResponse type is derived from the data present in the slia MLP message described in OMA-TS-MLP-V3_5-20181211-C [20] clause 5.2.3.2.2 or the slirep MLP message described in OMA-TS-MLP-V3_5-20181211-C [20] clause 5.2.3.2.3 along with the OMA MLP result id defined in OMA-TS-MLP-V3_5-20181211-C [20] clause 5.4

Table 7.3.3.2.38-1 contains the details for the RawMLPResponse type.

Table 7.3.3.2.38-1: Choices for type RawMLPResponse

CHOICE	Type	Description
mLPPositionData	UTF8String	This field contains a copy of unparsed XML code of the MLP response message. The sliia response message of this field are described in OMA-TS-MLP-V3_5-20181211-C [20] clause 5.2.3.2.2 and the slirep response message of this field is described in OMA-TS-MLP-V3_5-20181211-C [20] clause 5.2.3.2.3.
mLPErrorCode	INTEGER (1..699)	This field contains the OMA MLP result id defined in OMA-TS-MLP-V3_5-20181211-C [20] clause 5.4.

7.3.3.2.39 Type: VelocityEstimate

The VelocityEstimate type is derived from the data present in VelocityEstimate type in TS 29.572 [24] clause 6.1.6.2.17

Table 7.3.3.2.39-1 contains the details for the VelocityEstimate type.

Table 7.3.3.2.39-1: Definition of type VelocityEstimate

CHOICE	Type	Description
horVelocity	HorizontalVelocity	Velocity estimate including horizontal speed and bearing. Shall be encoded as described in TS 29.572 [24] clause 6.1.6.2.18.
horWithVertVelocity	HorizontalWithVerticalVelocity	Velocity estimate including horizontal speed and bearing, and also vertical speed and vertical direction. Shall be encoded as described in TS 29.572 [24] clause 6.1.6.2.19.
horVelocityWithUncertainty	HorizontalVelocityWithUncertainty	Velocity estimate including horizontal speed and bearing; it also includes an uncertainty value. Shall be encoded as described in TS 29.572 [24] clause 6.1.6.2.20.
horWithVertVelocityAndUncertainty	HorizontalWithVerticalVelocityAndUncertainty	Velocity estimate including horizontal speed and bearing, and also vertical speed and vertical direction; it also includes uncertainty value for horizontal and vertical speeds. Shall be encoded as described in TS 29.572 [24] clause 6.1.6.2.21.

7.3.3.2.40 Type: CivicAddress

The CivicAddress type is derived from the data present in the CivicAddress type defined in TS 29.572 [24] clause 6.1.6.2.14.

Table 7.3.3.2.40-1 contains the details for the CivicAddress type.

Table 7.3.3.2.40-1: Definition of type CivicAddress

Field name	Type	Cardinality	Description	M/C /O
Country	UTF8String	1	The two-letter ISO 3166 country code in capital ASCII letters, e.g. DE or US. Shall be encoded as described in TS 29.572 [24] table 6.1.6.2.14-1.	M
a1	UTF8String	0..1	National subdivisions (state, canton, region, province, prefecture). Shall be encoded as described in TS 29.572 [24] table 6.1.6.2.14-1.	C
a2	UTF8String	0..1	County, parish, gun (JP), district (IN). Shall be encoded as described in TS 29.572 [24] table 6.1.6.2.14-1.	C
a3	UTF8String	0..1	City, township, shi (JP). Shall be encoded as described in TS 29.572 [24] table 6.1.6.2.14-1.	C
a4	UTF8String	0..1	City division, borough, city district, ward, chou (JP). Shall be encoded as described in TS 29.572 [24] table 6.1.6.2.14-1.	C
a5	UTF8String	0..1	Neighbourhood, block. Shall be encoded as described in TS 29.572 [24] table 6.1.6.2.14-1.	C
a6	UTF8String	0..1	Group of streets below the neighbourhood level. Shall be encoded as described in TS 29.572 [24] table 6.1.6.2.14-1.	C
prd	UTF8String	0..1	Leading street direction. Shall be encoded as described in TS 29.572 [24] table 6.1.6.2.14-1.	C
pod	UTF8String	0..1	Trailing street suffix. Shall be encoded as described in TS 29.572 [24] table 6.1.6.2.14-1.	C
sts	UTF8String	0..1	Street suffix or type. Shall be encoded as described in TS 29.572 [24] table 6.1.6.2.14-1.	C
hno	UTF8String	0..1	House number. Shall be encoded as described in TS 29.572 [24] table 6.1.6.2.14-1.	C
hns	UTF8String	0..1	House number suffix. Shall be encoded as described in TS 29.572 [24] table 6.1.6.2.14-1.	C
lmk	UTF8String	0..1	Landmark or vanity address. Shall be encoded as described in TS 29.572 [24] table 6.1.6.2.14-1.	C
loc	UTF8String	0..1	Additional location information. Shall be encoded as described in TS 29.572 [24] table 6.1.6.2.14-1.	C
nam	UTF8String	0..1	Name (residence and office occupant). Shall be encoded as described in TS 29.572 [24] table 6.1.6.2.14-1.	C
pc	UTF8String	0..1	Postal/zip code. Shall be encoded as described in TS 29.572 [24] table 6.1.6.2.14-1.	C
bld	UTF8String	0..1	Building (structure). Shall be encoded as described in TS 29.572 [24] table 6.1.6.2.14-1.	C
unit	UTF8String	0..1	Unit (apartment, suite). Shall be encoded as described in TS 29.572 [24] table 6.1.6.2.14-1.	C
flr	UTF8String	0..1	Floor. Shall be encoded as described in TS 29.572 [24] table 6.1.6.2.14-1.	C
room	UTF8String	0..1	Room. Shall be encoded as described in TS 29.572 [24] table 6.1.6.2.14-1.	C
plc	UTF8String	0..1	Place-type. Shall be encoded as described in TS 29.572 [24] table 6.1.6.2.14-1.	C
pcn	UTF8String	0..1	Postal community name. Shall be encoded as described in TS 29.572 [24] table 6.1.6.2.14-1.	C
pobox	UTF8String	0..1	Post office box (P.O. box). Shall be encoded as described in TS 29.572 [24] table 6.1.6.2.14-1.	C
addcode	UTF8String	0..1	Additional code. Shall be encoded as described in TS 29.572 [24] table 6.1.6.2.14-1.	C
seat	UTF8String	0..1	Seat (desk, cubicle, workstation). Shall be encoded as described in TS 29.572 [24] table 6.1.6.2.14-1.	C
rd	UTF8String	0..1	Primary road or street. Shall be encoded as described in TS 29.572 [24] table 6.1.6.2.14-1.	C
rdsec	UTF8String	0..1	Road clause. Shall be encoded as described in TS 29.572 [24] table 6.1.6.2.14-1.	C
rdbr	UTF8String	0..1	Road branch. Shall be encoded as described in TS 29.572 [24] table 6.1.6.2.14-1.	C
rdsabbr	UTF8String	0..1	Road sub-branch. Shall be encoded as described in TS 29.572 [24] table 6.1.6.2.14-1.	C
prm	UTF8String	0..1	Road pre-modifier. Shall be encoded as described in TS 29.572 [24] table 6.1.6.2.14-1.	C
pom	UTF8String	0..1	Road post-modifier. Shall be encoded as described in TS 29.572 [24] table 6.1.6.2.14-1.	C

7.3.3.2.41 Type: PositioningMethodAndUsage

The PositioningMethodAndUsage type is derived from the data present in the PositioningMethodAndUsage type defined in TS 29.572 [24] clause 6.1.6.2.15.

Table 7.3.3.2.41-1 contains the details for the PositioningMethodAndUsage type.

Table 7.3.3.2.41-1: Definition of type PositioningMethodAndUsage

Field name	Type	Cardinality	Description	M/C/O
method	PositioningMethod	1	Indicates the related positioning method. Shall be encoded as described in TS 29.572 [24] clause 6.1.6.3.6.	M
mode	PositioningMode	1	Indicates the mode of the location measurement from the related positioning method. Shall be encoded as described in TS 29.572 [24] clause 6.1.6.3.7.	M
usage	Usage	1	Indicates the usage of the location measurement from the related positioning method. Shall be encoded as described in TS 29.572 [24] clause 6.1.6.3.9.	M
methodCode	MethodCode	0..1	This field shall be present when the method field is set as "networkSpecific". Shall be encoded as described in TS 29.572 [24] clause 6.1.6.2.15.	C

7.3.3.2.42 Type: GNSSPositioningMethodAndUsage

The GNSSPositioningMethodAndUsage type is derived from the data present in the GNSSPositioningMethodAndUsage type defined in TS 29.572 [24] clause 6.1.6.2.16.

Table 7.3.3.2.42-1 contains the details for the GNSSPositioningMethodAndUsage type.

Table 7.3.3.2.42-1: Definition of type GNSSPositioningMethodAndUsage

Field name	Type	Cardinality	Description	M/C/O
mode	PositioningMode	1	Indicates the mode of the location measurement from the related positioning method. Shall be encoded as described in TS 29.572 [24] clause 6.1.6.3.7.	M
gnss	GnssID	1	Indicates the related GNSS positioning method. Shall be encoded as described in TS 29.572 [24] clause 6.1.6.3.8.	M
usage	Usage	1	Indicates the usage of the location measurement from the related positioning method. Shall be encoded as described in TS 29.572 [24] clause 6.1.6.3.9.	M

7.3.3.2.43 Type: HorizontalVelocity

The HorizontalVelocity type is derived from the data present in the HorizontalVelocity type defined in TS 29.572 [24] clause 6.1.6.2.18.

Table 7.3.3.2.43-1 contains the details for the HorizontalVelocity type.

Table 7.3.3.2.43-1: Definition of type HorizontalVelocity

Field name	Type	Cardinality	Description	M/C/O
hSpeed	HorizontalSpeed	1	Horizontal speed in kilometres per hour. Shall be encoded as described in TS 29.572 [24] table 6.1.6.3.2-1.	M
bearing	Angle	1	Bearing angle in degrees, measured clockwise from North. Shall be encoded as described in TS 29.572 [24] table 6.1.6.3.2-1.	M

7.3.3.2.44 Type: HorizontalWithVerticalVelocity

The HorizontalWithVerticalVelocity type is derived from the data present in the HorizontalWithVerticalVelocity type defined in TS 29.572 [24] clause 6.1.6.2.19.

Table 7.3.3.2.44-1 contains the details for the HorizontalWithVerticalVelocity type.

Table 7.3.3.2.44-1: Definition of type HorizontalWithVerticalVelocity

Field name	Type	Cardinality	Description	M/C /O
hSpeed	HorizontalSpeed	1	Horizontal speed in kilometres per hour. Shall be encoded as described in TS 29.572 [24] table 6.1.6.3.2-1.	M
bearing	Angle	1	Bearing angle in degrees, measured clockwise from North. Shall be encoded as described in TS 29.572 [24] table 6.1.6.3.2-1.	M
vSpeed	VerticalSpeed	1	Vertical Speed in kilometres per hour. Shall be encoded as described in TS 29.572 [24] table 6.1.6.3.2-1.	M
vDirection	VerticalDirection	1	Vertical Direction: upward or downward. Shall be encoded as described in TS 29.572 [24] clause 6.1.6.3.13.	M

7.3.3.2.45 Type: HorizontalVelocityWithUncertainty

The HorizontalVelocityWithUncertainty type is derived from the data present in the HorizontalVelocityWithUncertainty type defined in TS 29.572 [24] clause 6.1.6.2.20.

Table 7.3.3.2.45-1 contains the details for the HorizontalVelocityWithUncertainty type.

Table 7.3.3.2.45-1: Definition of type HorizontalVelocityWithUncertainty

Field name	Type	Cardinality	Description	M/C /O
hSpeed	HorizontalSpeed	1	Horizontal speed in kilometres per hour. Shall be encoded as described in TS 29.572 [24] table 6.1.6.3.2-1.	M
bearing	Angle	1	Bearing angle in degrees, measured clockwise from North. Shall be encoded as described in TS 29.572 [24] table 6.1.6.3.2-1.	M
uncertainty	SpeedUncertainty	1	Uncertainty of horizontal speed in kilometres per hour. Shall be encoded as described in TS 29.572 [24] table 6.1.6.3.2-1.	M

7.3.3.2.46 Type: HorizontalWithVerticalVelocityAndUncertainty

The HorizontalWithVerticalVelocityAndUncertainty type is derived from the data present in the HorizontalWithVerticalVelocityAndUncertainty type defined in TS 29.572 [24] clause 6.1.6.2.21.

Table 7.3.3.2.46-1 contains the details for the HorizontalWithVerticalVelocityAndUncertainty type.

Table 7.3.3.2.46-1: Definition of type HorizontalWithVerticalVelocityAndUncertainty

Field name	Type	Cardinality	Description	M/C /O
hSpeed	HorizontalSpeed	1	Horizontal speed in kilometres per hour. Shall be encoded as described in TS 29.572 [24] table 6.1.6.3.2-1.	M
bearing	Angle	1	Bearing angle in degrees, measured clockwise from North. Shall be encoded as described in TS 29.572 [24] table 6.1.6.3.2-1.	M
vSpeed	VerticalSpeed	1	Vertical Speed in kilometres per hour. Shall be encoded as described in TS 29.572 [24] table 6.1.6.3.2-1.	M
vDirection	VerticalDirection	1	Vertical Direction: upward or downward. Shall be encoded as described in TS 29.572 [24] clause 6.1.6.3.13.	M
hUncertainty	SpeedUncertainty	1	Uncertainty of horizontal speed in kilometres per hour. Shall be encoded as described in TS 29.572 [24] table 6.1.6.3.2-1.	M
vUncertainty	SpeedUncertainty	1	Uncertainty of vertical speed in kilometres per hour. Shall be encoded as described in TS 29.572 [24] table 6.1.6.3.2-1.	M

7.3.3.2.47 Type: LocationPresenceReport

The LocationPresenceReport type is used in the case the information is obtained from an AmfEventReport (TS 29.518 [22] clause 6.2.6.2.5) with event type Location_Report or Presence_In_AOI_Report.

Table 7.3.3.2.47-1 contains the details for the LocationPresenceReport type.

Table 7.3.3.2.47-1: Definition of type LocationPresenceReport

Field name	Type	Cardinality	Description	M/C /O
type	AMFEventType	1	Describes the type of event which triggers the report.	M
timestamp	Timestamp	1	This shall contain the time at which the event is generated.	M
areaList	SET OF AMFEventArea	0..MAX	This field shall be present when the AMFEventtype is set as "presenceInAOIReport". When present, this field represents the specified Area(s) of Interest the UE is currently in or out or unknown.	C
timeZone	TimeZone	0..1	This parameter shall be present if the local timeZone of the UE is known at the NF.	C
accessType	SET OF AccessType	0..MAX	Describes the access type(s) of the UE. When reporting that the UE is reachable for DL traffic, this field shall indicate the access type(s) through which the UE is reachable.	C
rMInfoList	SET OF RMInfo	0..MAX	Describes the registration management state of the UE. This field shall be present if it is known at the NF. Shall be encoded as defined in TS 29.518 [22] clause 6.2.6.2.8.	C
cMInfoList	SET OF CMInfo	0..MAX	Describes the connection management state of the UE. This field shall be present if it is known at the NF. Shall be encoded as defined in TS 29.518 [22] clause 6.2.6.2.9.	C
reachability	UEReachability	0..1	Describes the reachability of the UE. This field shall be present if it is known at the NF Shall be encoded as defined in TS 29.518 [22] clause 6.2.6.3.7.	C
location	UserLocation	0..1	Location information type derived from the data defined in the UserLocation type defined in TS 29.571 [17] clause 5.4.4.7. This field shall be used to convey one or more of the following: <ul style="list-style-type: none"> - E-UTRA user location. - NR user location. - Non-3GPP access user location. - UTRA Location. - GERA Location. 	C
additionalCellIDs	SEQUENCE OF CellInformation	0..MAX	This parameter shall be present if the NF has additional cell information for the UE. Shall be used whenever Dual Connectivity is activated or whenever secondary cell information is available at the NF where the POI is located.	C

7.3.3.2.48 Type: AMFEventArea

The AMFEventArea type is derived from the data present in the AMFEventArea type defined in TS 29.518 [22] clause 6.2.6.2.16.

Table 7.3.3.2.48-1 contains the details for the AMFEventArea type.

Table 7.3.3.2.48-1: Definition of type AMFEventArea

Field name	Type	Cardinality	Description	M/C /O
presenceInfo	PresenceInfo	0..1	This field shall be present if the Area of Interest subscribed is not a LADN service area.	C
lADNInfo	LADNInfo	0..1	This field shall be present if the Area of Interest subscribed is a LADN service area.	C

7.3.3.2.49 Type: RMInfo

The RMInfo type is derived from the data present in the RMInfo type defined in TS 29.518 [22] clause 6.2.6.2.8.

Table 7.3.3.2.49-1 contains the details for the RMInfo type.

Table 7.3.3.2.49-1: Definition of type RMInfo

Field name	Type	Cardinality	Description	M/C /O
rMState	RMState	1	Describes the registration management state of the UE.	M
accessType	AccessType	1	Describes the access type of the UE that applies to the registration management state reported.	M

7.3.3.2.50 Type: CMInfo

The CMInfo type is derived from the data present in the CMInfo type defined in TS 29.518 [22] clause 6.2.6.2.9. Table 7.3.3.2.50-1 contains the details for the CMInfo type.

Table 7.3.3.2.50-1: Definition of type CMInfo

Field name	Type	Cardinality	Description	M/C /O
cMState	CMState	1	Describes the connection management state of the UE.	M
accessType	AccessType	1	Describes the access type of the UE that applies to the connection management state reported.	M

7.3.3.2.51 Enumeration: AccuracyFulfilmentIndicator

The AccuracyFulfilmentIndicator indicates whether the requested accuracy was fulfilled or not the AccuracyFulfilmentIndicator is derived from the data present in the AccuracyFulfilmentIndicator type defined in TS 29.572 [24] clause 6.1.6.3.12.

Table 7.3.3.2.51-1 contains the details of the AccuracyFulfilmentIndicator type.

Table 7.3.3.2.51-1: Enumeration for AccuracyFulfilmentIndicator

Enumeration value	Description
requestedAccuracyFulfilled(1)	Requested accuracy is fulfilled.
requestedAccuracyNotFulfilled(2)	Requested accuracy is not fulfilled.

7.3.3.2.52 Enumeration: PositioningMethod

The PositioningMethod represents the method used to determine the location of the UE, the PositioningMethod is derived from the data present in the PositioningMethod type defined in TS 29.572 [24] clause 6.1.6.3.6.

Table 7.3.3.2.52-1 contains the details of the PositioningMethod type.

Table 7.3.3.2.52-1: Enumeration for PositioningMethod

Enumeration value	Description
cellID(1)	Cell ID positioning method.
eCID(2)	Enhanced cell ID methods based on LTE signals.
oTDOA(3)	Observed time difference of arrival positioning based on LTE signals.
barometricPressure(4)	Positioning method based on barometric Pressure Sensor.
wLAN(5)	WLAN positioning.
Bluetooth(6)	Bluetooth positioning.
mBS(7)	Terrestrial Beacon System (TBS) positioning based on MBS signals.
motionSensor(8)	Positioning method based on motion Sensor.
dLTDOA(9)	Downlink Time Difference of Arrival (DL-TDOA) based on NR signals.
dLAOD(10)	Downlink Angle-of-Departure (DL-AoD) based on NR signals.
multiRTT(11)	Multi-Round Trip Time Positioning (Multi-RTT based on NR signals).
nRECID(12)	NR enhanced cell ID methods (NR E-CID) based on NR signals.
uLTDOA(13)	Uplink Time Difference of Arrival (UL-TDOA) based on NR signals.
uLAOA(14)	Uplink Angle of Arrival (UL-AoA), including the Azimuth of Arrival (A-AoA) and the Zenith of Arrival (Z-AoA) based on NR signals.
networkSpecific(15)	Network specific position methods.

7.3.3.2.53 Enumeration: PositioningMode

The PositioningMode represents the mode used to determine the location of the UE when a certain positioning method is used, the PositioningMode is derived from the data present in the PositioningMode type defined in TS 29.572 [24] clause 6.1.6.3.7.

Table 7.3.3.2.53-1 contains the details of the PositioningMode type.

Table 7.3.3.2.53-1: Enumeration for PositioningMode

Enumeration value	Description
uEBased(1)	UE-based mode.
uEAssisted(2)	UE-assisted mode.
conventional(3)	Conventional mode.

7.3.3.2.54 Enumeration: GNSSID

The GNSSID represents the different global navigation satellite systems, the GNSSID is derived from the data present in the GNSSID type defined in TS 29.572 [24] clause 6.1.6.3.8.

Table 7.3.3.2.54-1 contains the details of the GNSSID type.

Table 7.3.3.2.54-1: Enumeration for GNSSID

Enumeration value	Description
gPS(1)	GPS.
galileo(2)	Galileo.
sBAS(3)	Space Based Augmentation Systems.
modernizedGPS(4)	Modernized GPS.
qZSS(5)	Quasi Zenith Satellite System.
gLONASS(6)	Global Navigation Satellite System.
bDS(7)	BeiDou Navigation Satellite System.
nAVIC(8)	Navigation with Indian Constellation.

7.3.3.2.55 Enumeration: Usage

The Usage represents the type of usage made of the location measurement from the UE, the Usage is derived from the data present in the Usage type defined in TS 29.572 [24] clause 6.1.6.3.9.

Table 7.3.3.2.55-1 contains the details of the Usage type.

Table 7.3.3.2.55-1: Enumeration for GNSSID

Enumeration value	Description
unsuccess(1)	Not successful.
successResultsNotUsed(2)	Successful result not used.
successResultsUsedToVerifyLocation(3)	Successful result used to verify the location estimate.
successResultsUsedToGenerateLocation(4)	Successful result used to generate the location estimate.
successMethodNotDetermined(5)	Successful method not determined.

7.3.3.2.56 Enumeration: VerticalDirection

The VerticalDirection represents the direction (upward/downward) of the vertical speed, the VerticalDirection is derived from the data present in the VerticalDirection type defined in TS 29.572 [24] clause 6.1.6.3.13.

Table 7.3.3.2.56-1 contains the details of the VerticalDirection type.

Table 7.3.3.2.56-1: Enumeration for VerticalDirection

Enumeration value	Description
upward(1)	Vertical speed is upward.
downward(2)	Vertical speed is downward.

7.3.3.2.57 Type: IMSLocation

The IMSLocation type is used to report information derived from the IMS.

Table 7.3.3.2.57-1: Structure of the IMSLocation type

Field name	Type	Cardinality	Description	M/C /O
pANIHeaderInfo	SEQUENCE OF PANIHeaderInfo	0..MAX	Contains information from the P-Access-Network-Information header of the SIP Message. Shall be present if there are one or more PANI Header fields in the SIP message. One instance of PANIHeaderInfo shall be used for each P-Access-Network-Information header.	C
geolocationHeaderInfo	SEQUENCE OF SIPGeolocationHeaderInfo	0..MAX	Contains the information from the Geolocation-header of the SIP Message. Shall be present if there are one or more Geolocation-header fields. One instance of SIPGeolocationHeaderInfo shall be used for each Geolocation-header.	C
cNIHeaderInfo	SEQUENCE OF SIPCNIHeaderInfo	0..MAX	Contains the information from the Cellular-Network-Info header of the SIP Message. Shall be present if there are one or more Cellular-Network-Info header fields. One instance of SIPCNIHeaderInfo shall be used for each Cellular-Network-Info header.	C

7.3.3.2.58 Type: PANIHeaderInfo

The PANIHeaderInfo type is used to report information derived from the P-Access-Network-Information header field of the SIP Message (see TS 24.229 [74] clauses 7.2A.4.2 and 7.2A.4.3).

Table 7.3.3.2.58-1: Structure of the PANIHeaderInfo type

Field name	Type	Cardinality	Description	M/C /O
accessNetworkInformation	SIPAccessNetworkInformation	1	Provides non-location related access network information.	M
accessInfo	SEQUENCE OF SIPAccessInfo	0..MAX	Contains the location related information from the access-info field parameter of the PANI Header. One instance of SIPAccessInfo shall be used for each access-info field parameter of the PANI header.	C
pANILocation	SEQUENCE OF SIPLocationInfo	0..MAX	Contains the location information from the PANI header in the LocationInfo structure. One instance of SIPLocationInfo shall be present for each access-info field parameter of a type that can be mapped to the LocationInfo structure.	C

7.3.3.2.59 Type: SIPGeolocationHeaderInfo

The SIPGeolocationHeaderInfo type is used to report information derived from the Geolocation-header of a SIP message.

Table 7.3.3.2.59-1: Structure of the SIPGeolocationHeader type

Field name	Type	Cardinality	Description	M/C /O
locationValue	UTF8String	1	Contains information from the locationValue header parameter of the Geolocation-header of the SIP Message (see IETF RFC 6442 [107] clause 4.1). One instance of SIPGeolocationValue shall be used for each locationValue header parameter.	M
cidInfo	UTF8String	0..1	Contains the contents of the MIME bodypart if the locationValue is a cid-url (see IETF RFC 6442 [107] clauses 4.1 and 5). The value of the cidInfo field shall include the headers and contents of the MIME bodypart indicated by the cid-url.	C

7.3.3.2.60 Type: SIPLocationInfo

The SIPLocationInfo type is used to report location information derived from the P-Access-Network-Information or Cellular-Network-Info header of a SIP message.

Table 7.3.3.2.60-1: Structure of the SIPLocationInfo type

Field name	Type	Cardinality	Description	M/C /O
locationInfo	LocationInfo	0..1	Shall be used to report location information received from a 5G Access Network.	C
cellInformation	CellInformation	0..1	Shall be used to report the cell site information and cell radio related information for the cell reported in the locationInfo field. Shall be present if known at the NF where the POI is located or at the MDF.	C

7.3.3.2.61 Type: SIPCellularHeaderInfo

The SIPCellularLocationInfo type is used to report cellular access network information derived from the Cellular-Network-Info (CNI) header of a SIP message (see TS 24.229 [74] clause 7.2.15.7).

Table 7.3.3.2.60-1: Structure of the SIPCNIHeaderInfo type

Field name	Type	Cardinality	Description	M/C /O
cellularNetworkInformation	SIPCellularNetworkInformation	1	Provides non-location related cellular network information.	M
cellularAccessInfo	SEQUENCE OF SIPCellularAccessInfo	0..MAX	Contains the location related information from the cellular-access-info field parameter of the CNI Header (see TS 24.229 [74] clause 7.2.15.7). Shall be present if the cellular-access-info field parameter of the CNI Header is present.	C
cNILocation	SEQUENCE OF SIPLocationInfo	0..MAX	Contains the location information from the CNI header in the LocationInfo structure. One instance of SIPLocationInfo shall be present for each cellular-access-info field parameter of a type that can be mapped to the LocationInfo structure.	C

7.3.3.2.62 Type: PresenceInfo

The PresenceInfo type is derived from the data present in the PresenceInfo type defined in TS 29.571 [17] clause 5.4.4.27.

Table 7.3.3.2.62-1 contains the details for the PresenceInfo type.

Table 7.3.3.2.62-1: Definition of type PresenceInfo

Field name	Type	Cardinality	Description	M/C /O
presenceState	PresenceState	0..1	Indicates whether the UE is inside or outside of the area of interest or if the presence reporting area is inactive in the serving node. Shall be present when known at the NF.	C
trackingAreaList	SET OF TAI	0..MAX	Represents the list of tracking areas that constitutes the area. This field contains the list of tracking areas when tracking areas are part of the area of interest.	C
eCGIList	SET OF ECGI	0..MAX	Represents the list of EUTRAN cell IDs that constitutes the area. This field contains the list of ECGIs when ECGIs are part of the area of interest.	C
nCGIList	SET OF NCGI	0..MAX	Represents the list of NR cell IDs that constitutes the area. This field contains the list of NCGIs when NCGIs are part of the area of interest.	C
globalRANNodeIDList	SET OF GlobalRANNodeID	0..MAX	Represents the list of NG RAN node identifiers that constitutes the area. This field contains the list of GlobalRANNodeIDs when NG RAN Nodes are part of the area of interest.	C
globalENbIDList	SET OF GlobalRANNodeID	0..MAX	Represents the list of eNodeB identifiers that constitutes the area. This field contains the list of GlobalRANNodeIDs when eNbIDs are part of the area of interest.	C

7.3.3.2.63 Type: LADNInfo

The LADNInfo type is used to report information derived from the LADNInfo type defined in TS 29.518 [22] clause 6.2.6.2.17.

Table 7.3.3.2.63-1 contains the details for the LADNInfo type.

Table 7.3.3.2.63-1: Structure of the LADNInfo type

Field name	Type	Cardinality	Description	M/C /O
IADN	UTF8String	1	Represents the Local Access Data Network DNN.	M
presence	PresenceState	0..1	This IE shall be included when the UE presence in area of interest is reported. When present, this IE contains the status of UE presence within the Area of Interest.	C

7.3.3.2.64 Enumeration: AMFEventType

The AMFEventType represents the AmfEventReport IE (TS 29.518 [22] clause 6.2.6.2.5) which triggered the *LocationPresenceReport* (clause 7.3.3.2.47).

Table 7.3.3.2.64-1 contains the details of the AMFEventType type.

Table 7.3.3.2.64-1: Enumeration for AMFEventType

Enumeration value	Description
locationReport(1)	Indicates that the AmfEventReport which triggered the <i>LocationPresenceReport</i> was the LOCATION_REPORT.
presenceInAOIReport(2)	Indicates that the AmfEventReport which triggered the <i>LocationPresenceReport</i> was the PRESENCE_IN_AOI_REPORT.

7.3.3.2.65 Enumeration: AccessType

The AccessType indicates the access types of which the signalling or user data is transmitted.

Table 7.3.3.2.65-1 contains the details of the AccessType type.

Table 7.3.3.2.65-1: Enumeration for AccessType

Enumeration value	Description
threeGPPAccess(1)	Indicates that the access type is 3GPP.
nonThreeGPPAccess(2)	Indicates that the access type is Non-3GPP .
threeGPPandNonThreeGPPAccess(3)	Indicates that the access type is 3GPP and Non-3GPP.

7.3.3.2.66 Enumeration: UEReachability

The UEReachability indicates the reachability of the UE. UEReachability is derived from the UeReachability type defined in TS 29.518 [22] clause 6.2.6.3.7.

Table 7.3.3.2.66-1 contains the details of the UEReachability type.

Table 7.3.3.2.66-1: Enumeration for UEReachability

Enumeration value	Description
unreachable(1)	Indicates the UE is not reachable.
reachable(2)	Indicates the UE is reachable for services and downlink traffic.
regulatoryOnly(3)	Indicates the UE is reachable only for Regulatory Prioritized Service as the UE is in Not Allowed Areas.

7.3.3.2.67 Enumeration: RMState

The RMState indicates the registration management state of the UE. RMState is derived from the RmState type defined in TS 29.518 [22] clause 6.2.6.3.9.

Table 7.3.3.2.67-1 contains the details of the RMState type.

Table 7.3.3.2.67-1: Enumeration for RMState

Enumeration value	Description
registered(1)	Indicates the UE in RM-REGISTERED state.
deregistered(2)	Indicates the UE in RM-DEREGISTERED state.

7.3.3.2.68 Enumeration: CMState

The CMState indicates the connection management state of the UE. CMState is derived from the CmState type defined in TS 29.518 [22] clause 6.2.6.3.10.

Table 7.3.3.2.68-1 contains the details of the CMState type.

Table 7.3.3.2.68-1: Enumeration for CMState

Enumeration value	Description
idle(1)	Indicates the UE is in CM-IDLE state.
connected(2)	Indicates the UE is in CM-CONNECTED state.

7.3.3.2.69 Enumeration: PresenceState

The PresenceState indicates whether the UE is inside or outside of the area of interest (e.g. presence reporting area or the LADN area), or if the presence reporting area is inactive in the serving node. PresenceState is derived from the PresenceState type defined in TS 29.571 [17] clause 5.4.3.20.

Table 7.3.3.2.69-1 contains the details of the PresenceState type.

Table 7.3.3.2.69-1: Enumeration for PresenceState

Enumeration value	Description
inArea(1)	Indicates that the UE is inside or enters the presence reporting area.
outOfArea(2)	Indicates that the UE is outside or leaves the presence reporting area.
unknown(3)	Indicates it is unknown whether the UE is in the presence reporting area or not.
inactive(4)	Indicates that the presence reporting area is inactive in the serving node.

7.3.3.2.70 Type: FourGPositioningInfo

The FourGPositioningInfo type is used to report EPS Location, The FourGPositioningInfo type is derived from the data present in the Provide Subscriber Location Answer Table defined in TS 29.172 [53] table 6.2.2-2.

Table 7.3.3.2.70-1 contains the details for the FourGPositioningInfo type.

Table 7.3.3.2.70-1: Structure of the FourGPositioningInfo type

Field name	Type	Cardinality	Description	M/C/O
locationData	LocationData	1	This structure is used any time information from the Provide Subscriber Location structure needs to be reported. This field is derived from the data present in the Provide Subscriber Location Answer message defined in TS 29.172 [53] table 6.2.2-2.	M
cGI	CGI	0..1	This field shall contain the current cell location of the target UE when known by the NF. Defined in TS 23.003 [19] clause 4.3.1.	C
sAI	SAI	0..1	This field shall contain the Service Area Identifier of the user where the user is located when known by the NF. Defined in TS 23.003 [19] clause 12.5.	C
eSMLCCellInfo	ESMLCCellInfo	0..1	This field shall contain the current cell information of the target UE as known by E-SMLC when known by the NF. Defined in TS 29.172 [53] clause 7.4.57.	C
gERANPositioningInfo	GERANPositioningInfo	0..1	This field shall indicate the usage of each positioning method that was attempted to determine the location estimate, either successfully or unsuccessfully. This field is applicable only when the UE is attached to GERAN access and when the message is sent by the SGSN or the SGSN part of the combined MME/SGSN. Defined in TS 29.172 [53] clause 7.4.29.	C
uTRANPositioningInfo	UTRANPositioningInfo	0..1	This field shall indicate the usage of each positioning method that was attempted to determine the location estimate, either successfully or unsuccessfully. This field is applicable only when the UE is attached to UTRAN access and when the message is sent by the SGSN or the SGSN part of the combined MME/SGSN. Defined in TS 29.172 [53] clause 7.4.32.	C
rawMLPResponse	RawMLPResponse	0..1	This field shall be used in the location field of the LALSReport record see clause 7.3.1.4. This field contains a copy of the unparsed XML code of the MLP Answer and Report messages. The contents of this field is described in OMA-TS-MLP-V3_5-20181211-C [20] clause 5.2.3.2.	C

7.3.3.2.71 Type: FourGLocationInfo

The FourGLocationInfo type is derived from the data present in EPS-Location-Information type defined in TS 29.272 [106] clause 7.3.111 and the data present in User Location Information (ULI) IE, defined in TS 29.274 [87] clause 8.21.

Table 7.3.3.2.71-1 contains the details for the FourGLocationInfo type.

Table 7.3.3.2.71-1: Choices for type FourGLocationInfo

CHOICE	Type	Description
ePSLocationInformation	EPSLocationInformation	This field is derived from the data present in EPS-LocationInformation type in TS 29.272 [106] clause 8.21.
ePSUserLocationInformation	EPSUserLocationInformation	This field is derived from the data present in User Location Information (ULI) IE in TS 29.274 [87] clause 8.21.

7.3.3.2.72 Type: CGI

The Cell Global Identification (CGI) type is used to report base station identification. The CGI type is derived from the data present in the CGI information element defined in TS 23.003 [19] clause 4.3.1.

Table 7.3.3.2.72-1 contains the details for the CGI type.

Table 7.3.3.272-1: Structure of the CGI type

Field name	Type	Cardinality	Description	M/C/O
lAI	LAI	1	This field is derived from the Location Area Identification information element defined in TS 23.003 [19] clause 4.1.	M
cellID	CellID	1	The Cell Identity that is being reported from the NF. Defined in TS 23.003 [19] clause 4.3.1.	M

7.3.3.273 Type: SAI

The Service Area Identifier (SAI) is used to identify an area consisting of one or more cells belonging to the same Location Area. Such an area is called a Service Area and can be used for indicating the location of a UE to the Core Network. The SAI is derived from the data present in the SAI information element defined in TS 23.003[19] clause 12.5.

Table 7.3.3.273-1 contains the details for the SAI type.

Table 7.3.3.273-1: Structure of the SAI type

Field name	Type	Cardinality	Description	M/C/O
pLMNID	PLMNID	1	The PLMN Identity of the service area being reported.	M
lAC	LAC	1	The Location Area Code of the service area being reported.	M
sAC	SAC	1	The Service Area Code of the service area being reported.	M

7.3.3.274 Type: ESMLCCellInfo

The ESMLCCellInfo type is used to identify the current cell information of the target UE as known by E-SMLC. Derived from the information found in TS 29.172 [53] table 6.2.2-2.

Table 7.3.3.274-1 contains the details for the ESMLCCellInfo type.

Table 7.3.3.274-1: Structure of the ESMLCCellInfo type

Field name	Type	Cardinality	Description	M/C/O
eCGI	ECGI	1	ECGI type is used to report the E-UTRA Cell Identity.	M
cellPortionID	CellPortionID	1	The current Cell Portion location of the target UE.	M

7.3.3.275 Type: GERANPositioningInfo

The GERANPositioningInfo type is used to indicate the usage of each positioning method that was attempted to determine the location estimate, either successfully or unsuccessfully. This Information Element is applicable only when the UE is attached to GERAN access and when the message is sent by the SGSN or combined MME/SGSN. Derived from the data found in TS 29.172 [53] clause 7.4.29.

Table 7.3.3.275-1 contains the details for the GERANPositioningInfo type.

Table 7.3.3.2.75-1: Structure of the GERANPositioningInfo type

Field name	Type	Cardinality	Description	M/C /O
gERANPositioningData	GERANPositioningData	0..1	Shall contain the encoded content of the "GERAN-Positioning-Data" in the "GERAN-Positioning-Info" parameter. Defined in TS 29.172 [52] clause 7.4.30.	C
gERANGANSSPositioningData	GERANGANSSPositioningData	0..1	Shall contain the encoded content of the "GERAN-GANSS-Positioning-Data" in the "GERAN-Positioning-Info" parameter. Defined in TS 29.172 [53] clause 7.4.31.	C

7.3.3.2.76 Type: UTRANPositioningInfo

The UTRANPositioningInfo type is used to indicate the usage of each positioning method that was attempted to determine the location estimate, either successfully or unsuccessfully. This Information Element is applicable only when the UE is attached to UTRAN access and when the message is sent by the SGSN or the SGSN part of the combined MME/SGSN. Derived from the data found in TS 29.172 [53] clause 7.4.32.

Table 7.3.3.2.76-1 contains the details for the UTRANPositioningInfo type.

Table 7.3.3.2.76-1: Structure of the UTRANPositioningInfo type

Field name	Type	Cardinality	Description	M/C /O
uTRANPositioningData	UTRANPositioningData	0..1	Shall contain the encoded content of the "UTRAN-Positioning-Data" in the "UTRAN-Positioning-Info" parameter. Defined in TS 29.172 [52] clause 7.4.33.	C
uTRANGANSSPositioningData	UTRANGANSSPositioningData	0..1	Shall contain the encoded content of the "UTRAN-GANSS-Positioning-Data" only, included in the "UTRAN-Positioning-Info" parameter. Defined in TS 29.172 [53] clause 7.4.34.	C
uTRANAdditionalPositioningData	UTRANAdditionalPositioningData	0..1	Contains the "UTRAN-Additional-Positioning-Data" included in the "UTRAN-Positioning-Info" parameter. Defined in TS 29.172 [53] clause 7.4.63.	C

7.3.3.2.77 Type: EPSLocationInformation

The EPSLocationInformation type contains the information related to the user location relevant for EPS. Derived from the data found in EPS-Location-Information parameter from TS 29.272 [106] clause 7.3.111.

Table 7.3.3.2.77-1 contains the details for the EPSLocationInformation type.

Table 7.3.3.2.77-1: Structure of the EPSLocationInformation type

Field name	Type	Cardinality	Description	M/C /O
mMELocationInformation	MMELocationInformation	0..1	Shall contain the information related to the user location relevant for the MME included in the "EPS-Location-Information" parameter. Defined in TS 29.272 [106] clause 7.3.115.	C
sGSNLocationInformation	SGSNLocationInformation	0..1	Shall contain the information related to the user location relevant for the SGSN included in the "EPS-Location-Information" parameter. Defined in TS 29.272 [106] clause 7.3.116.	C

7.3.3.2.78 Type: MMELocationInformation

The MMELocationInformation type contains the information related to the user location relevant for the MME. Derived from the data found in MME-Location-Information parameter from TS 29.272 [106] clause 7.3.115.

Table 7.3.3.2.78-1 contains the details for the MMELocationInformation type.

Table 7.3.3.2.78-1: Structure of the MMELocationInformation type

Field name	Type	Cardinality	Description	M/C /O
eCGI	ECGI	0..1	Shall contain the E-UTRA Cell Identity when known at the NF.	C
tAI	TAI	0..1	Shall contain the Tracking Area Identity when known at the NF.	C
geographicalInformation	GeographicalInformationOctet	0..1	Shall contain the geographical Information of the target when known at the NF.	C
geodeticInformation	GeodeticInformationOctet	0..1	Shall contain the Geodetic Location of the target when known at the NF.	C
currentLocationRetrieved	BOOLEAN	0..1	This value is used when location information was obtained after a successful paging procedure for Active Location Retrieval. Or after retrieving the most up-to-date location information from the eNB when the UE is in connected mode.	C
ageOfLocationInformation	INTEGER	0..1	The value represents the elapsed time in minutes since the last network contact of the mobile station. Value "0" indicates that the location information was obtained after a successful paging procedure for Active Location Retrieval when the UE is in idle mode or after a successful location reporting procedure with the eNB when the UE is in connected mode. Any other value than "0" indicates that the location information is the last known one. Shall be present if known at the NF where the POI is located.	C
userCSGInformation	UserCSGInformation	0..1	The UserCSGInformation type holds the user Closed Subscriber Group information associated to CSG cell access. Shall be present if known at the NF.	C
eNBID	eNBID	0..1	This field shall contain the identifier of the eNB in which the UE is currently located.	C
additionalCellIDs	SEQUENCE OF CellInformation	0..1	This parameter shall be present if the NF has additional cell information for the UE. Shall be used whenever Dual Connectivity is activated or whenever secondary cell information is available at the NF where the POI is located.	C

7.3.3.2.79 Type: SGSNLocationInformation

The SGSNLocationInformation type contains the information related to the user location relevant for the MME. Derived from the data found in MME-Location-Information parameter from TS 29.272 [106] clause 7.3.115.

Table 7.3.3.2.79-1 contains the details for the SGSNLocationInformation type.

Table 7.3.3.2.79-1: Structure of the SGSNLocationInformation type

Field name	Type	Cardinality	Description	M/C /O
cGI	CGI	0..1	The Cell Global Identification for the UTRA Cell the UE is currently located in. Shall be present if known at the NF where the POI is located.	C
IAI	LAI	0..1	This field is derived from the Location Area Identification information element. Shall be present if known at the NF where the POI is located.	C
sAI	SAI	0..1	Service Area Identity of the target. Shall be present if known at the NF where the POI is located.	C
rAI	RAI	0..1	Routing Area Identity of the target. Shall be present if known at the NF where the POI is located.	C
geographicalInformation	GeographicalInformationOctet	0..1	Shall contain the geographical Information of the target when known at the NF where the POI is located.	C
geodeticInformation	GeodeticInformationOctet	0..1	Shall contain the Geodetic Location of the target when known at the NF where the POI is located.	C
currentLocationRetrieved	BOOLEAN	0..1	This value is used when location information was obtained after a successful paging procedure for Active Location Retrieval. Or after retrieving the most up-to-date location information from the eNB when the UE is in connected mode.	C
ageOfLocationInformation	INTEGER	0..1	The value represents the elapsed time in minutes since the last network contact of the mobile station. Value "0" indicates that the location information was obtained after a successful paging procedure for Active Location Retrieval when the UE is in idle mode or after a successful location reporting procedure with the eNB when the UE is in connected mode. Any other value than "0" indicates that the location information is the last known one. Shall be present if known at the NF where the POI is located.	C
userCSGInformation	UserCSGInformation	0..1	The UserCSGInformation type holds the user "Closed Subscriber Group" information associated to CSG cell access. Shall be present if known at the NF where the POI is located.	C

7.3.3.2.80 Type: UserCSGInformation

The UserCSGInformation type holds the user "Closed Subscriber Group" information associated to CSG cell access: it comprises CSG ID within the PLMN, access mode and indication on CSG membership for the user when hybrid access applies. Derived from the data found in User-CSG-Information parameter from TS 32.299 [111] clause 7.2.240a.

Table 7.3.3.2.80-1 contains the details for the UserCSGInformation type.

Table 7.3.3.2.80-1: Structure of the UserCSGInformation type

Field name	Type	Cardinality	Description	M/C /O
cSGID	CSGID	1	Represents the Closed Subscriber Group Identity.	M
cSGAccessMode	CSGAccessMode	1	Represents the CSG access mode that the UE is using.	M
cSGMembershipIndication	CSGMembershipIndication	1	Indicates the UE membership state for the reported CSG.	M

7.3.3.2.81 Type: LAI

The LAI type is composed of the PLMNID and the Location Area Code. LAI is derived from the data found in LAI parameter from TS 23.003 [19] clause 4.1.

Table 7.3.3.2.81-1 contains the details for the LAI type.

Table 7.3.3.2.81-1: Structure of the LAI type

Field name	Type	Cardinality	Description	M/C /O
pLMNID	PLMNID	1	The PLMN Identity of the location area being reported.	M
IAC	LAC	1	Location Area Code of the location area being reported.	M

7.3.3.2.82 Type: RAI

The RAI type is composed of the PLMNID and the Location Area Code and the Routing Area Code. RAI is derived from the data found in RAI parameter from TS 23.003 [19] clause 4.2.

Table 7.3.3.2.82-1 contains the details for the RAI type.

Table 7.3.3.2.82-1: Structure of the RAI type

Field name	Type	Cardinality	Description	M/C /O
pLMNID	PLMNID	1	The PLMN Identity of the location area being reported.	M
IAC	LAC	1	Location Area Code of the location area being reported.	M
rAC	RAC	1	Routing Area Code identifying a routing area within a location area	M

7.3.3.2.83 Enumeration: CSGAccessMode

The CSGAccessMode indicates the mode in which the CSG cell User is accessing to operate. CSGAccessMode is derived from the CSG-Access-Mode type defined in TS 32.299. [111] clause 7.2.46A.

Table 7.3.3.2.83-1 contains the details of the CSGAccessMode type.

Table 7.3.3.2.83-1: Enumeration for CSGAccessMode

Enumeration value	Description
closeMode(1)	CSG Access mode is closed.
hybridMode(2)	CSG Access mode is hybrid.

7.3.3.2.84 Enumeration: CSGMembershipIndication

The CSGMembershipIndication indicates the UE is a member of the accessing CSG cell. CSGMembershipIndication is derived from the CSG-Membership-Indication type defined in TS 32.299 [111] clause 7.2.46B.

Table 7.3.3.2.84-1 contains the details of the CSGMembershipIndication type.

Table 7.3.3.2.84-1: Enumeration for CSGMembershipIndication

Enumeration value	Description
notCSGMember(1)	UE is not a member of the reported CSG.
cSGMember(2)	UE is a member of the reported CSG.

7.3.3.3 Reference datum

When the reference datum used for a latitude and longitude given in the GeographicalCoordinates structure is known by the operator, the reference datum shall be identified in the mapDatumInformation field. The reference datum identity shall be specified as an Open Geospatial Consortium URN, as defined in OGC 05-010 [35].

7.3.4 Separated location reporting

7.3.4.1 General description

When location information cannot be reported via an existing message generation at the IRI-POI, a separate xIRI may be generated from any provisioned IRI-POI that has access to location information and included in the SeparatedLocationReporting record.

The following information needs to be transferred from the IRI-POI to the MDF2 to enable a MDF2 to perform its functionality:

- Target identity.
- Event date/time.
- Target location(s).
- Date/time of UE location(s).
- Nature and identity of the POI.
- Location source(s).

Details of how the IRI-POI in the SMF generates this record can be found in clause 6.2.3.2.1.

Details of how the IRI-POI in the NEF generates this record can be found in clause 7.7.2.1.1.

Details for Location Only reporting using this record can be found in clause 7.3.6.

Table 7.3.4.1-1: Payload for SeparatedLocationReporting record

Field name	Type	Cardinality	Description	M/C /O
sUPI	SUPI	1	SUPI associated with the registration (see clause 6.2.2.4). If the location being reported is being reported from EPS, the IMSI shall be used as the values for this field.	M
sUCI	SUCI	0..1	SUCI used in the registration, if available.	C
pEI	PEI	0..1	PEI provided by the UE during the registration, if available.	C
gPSI	GPSI	0..1	GPSI obtained in the registration, if available as part of the subscription profile.	C
gUTI	FiveGUTI	0..1	5G-GUTI provided as outcome of initial registration or used in other cases, see TS 24.501 [13] clause 5.5.1.2.2.	C
location	Location	1	Location information determined by the network at the time of message generation.	M
non3GPPAccessEndpoint	UEEndpointAddress	0..1	For Non-3GPP access, UE's local IP address used to reach the N3IWF, TNGF or TWIF. IP addresses are given as 4 octets (for IPv4) or 16 octets (for IPv6) with the most significant octet first (network byte order).	C
rATType	RATType	0..1	RAT Type associated with the data for which location information is provided, see TS 23.502 [4] clause 4.3.2. Values given as per TS 29.571 [17] clause 5.4.3.2.	C
ePSIdentities	EPSSubscriberIDs	0..1	Indicates the identifiers for which the location is being reported. All target identifiers known at the NF shall be included.	C

7.3.5 Location acquisition

7.3.5.1 General description

The architecture for location acquisition is specified in TS 33.127 [5] clause 7.3.5.

7.3.5.2 Acquisition request over LI_HILA

The LAF is responsible for receiving acquisition requests from the LEA over the LI_HILA interface. Further details of LI_HILA messages are defined in clause 5.11.

7.3.5.3 Acquisition request over LI_XLA

LI_HILA requests are used to generate a LI_XLA request to the LARF over the LI_XLA interface. Further details of LI_XLA messages are defined in clause 5.12.

7.3.5.4 Location acquisition procedure at the LARF

7.3.5.4.1 General description

Upon the receipt of a location acquisition request over LI_XLA, the LARF shall first check that the UE is registered at the MME/AMF. If it is registered the LARF will check the UE context at the MME/AMF to see if the current location for the UE is known.

The LARF/MME/AMF shall override any user consent, privacy and paging restrictions concerned with location acquisition that may apply to the target UE. The LARF/MME/AMF shall ensure that overriding these restrictions does not result in additional detectability issues.

If delivery via the LI_HI2 is required, the LARF will send the acquisition response as either an AMFLocationUpdate (in case of the 5GC) or an MMELocationUpdate (in case of the EPC) xIRI record to the MDF2 via LI_X2_LA. Full details are given in clause 7.3.5.6.

If delivery via the LI_HILA is required, the LARF returns the acquisition response as part of the LI_XLA response, which the LAF then transforms into a LI_HILA response given as a LocationResponseDetails structure (see table 5.11.2.3-1). Full details are given in clause 7.3.5.5 and clause 5.11.2.3.

7.3.5.4.2 Location acquisition procedure at the LARF in case of EPC

The procedure is as follows:

- If the ReqCurrentLoc parameter (see table 5.12.2.1-1) is set to true in the location acquisition request message received over LI_XLA, the LARF shall invoke the Insert Subscriber Data procedure, with the IDR-Flags with the "EPS Location Information Request" bit and the "Current Location Request" bit set (TS 29.272 [108] clause 5.2.2.1.2) using the information received in the location acquisition request message.
- If the ReqCurrentLoc parameter (see table 5.12.2.1-1) is set to false in the location acquisition request message received over LI_XLA, the LARF shall use the location information in the UE context at the MME to generate and deliver a location acquisition response based on the provisioned delivery method as described in clauses 7.3.5.5 and 7.3.5.6.

7.3.5.4.3 Location acquisition procedure at the LARF in case of 5GC

The procedure is as follows:

- If the ReqCurrentLoc parameter (see table 5.12.2.1-1) is set to true in the location acquisition request message received over LI_XLA, the LARF shall invoke a ProvideLocationInfo service operation in the AMF (see TS 29.518 [22] clause 5.5.2.4) using the information received in the location acquisition request message to generate the RequestLocInfo parameters. The LARF shall set the reqCurrentLoc parameter of the RequestLocInfo IE to true (see TS 29.518 [22] clause 5.5.2.4).
- If the ReqCurrentLoc parameter (see table 5.12.2.1-1) is set to false in the location acquisition request message received over LI_XLA, the LARF shall use the location information in the UE context at the AMF to generate and deliver a location acquisition response based on the provisioned delivery method as described in clauses 7.3.5.5 and 7.3.5.6.

7.3.5.5 Location acquisition delivery via the LI_HILA

7.3.5.5.1 Location acquisition response over LI_XLA

The LARF shall populate the LocationResponseDetails field in the LocationAcquisitionResponse message as specified in clause 5.11.2.3.

7.3.5.5.2 Location acquisition response over LI_HILA

On receiving a LocationAcquisitionResponse message containing a LocationResponseDetails field, the LAF shall return the results to the LEA over the LI_HILA interface. The LI_HILA response is represented as XML following the LocationResponseDetails type definition (see Annex I) as described in clause 5.11.2.3.

Table 7.3.5.5.2-1: Void

7.3.5.6 Location acquisition delivery via the LI_HI2

7.3.5.6.1 Provisioning of the MDF2

The MDF2 listed as the delivery endpoint for xIRI generated by the LARF in the MME/AMF shall be provisioned over LI_X1 by the LIPF using the X1 protocol as described in clause 5.2.2 prior to issuing of LI_XLA requests for the given target. Table 7.3.5.6.2-1 shows the minimum details of the LI_X1 ActivateTask message used for provisioning the MDF2.

The MDF2 shall support the following target identifier formats in the ETSI TS 103 221-1 [7] messages (or equivalent if ETSI TS 103 221-1 [7] is not used):

- SUPIIMSI.
- SUPINAI.
- GPSIMSIDN.
- GPSINAI.
- IMSI.
- MSISDN.

Table 7.3.5.6.1-1: ActivateTask message for MDF2

ETSI TS 103 221-1 [7] field name	Description	M/C/O
XID	XID assigned by LIPF.	M
TargetIdentifiers	One or more of the target identifiers listed in the paragraph above.	M
DeliveryType	Set to "X2Only". (Ignored by the MDF2).	M
ListOfDIDs	Delivery endpoints of LI_HI2. These delivery endpoints shall be configured using the CreateDestination message as described in ETSI TS 103 221-1 [7] clause 6.3.1 prior to first use.	M
ListOfMediationDetails	Sequence of Mediation Details, see table 7.3.5.6.1-2.	M

Table 7.3.5.6.1-2: Mediation Details for MDF2

ETSI TS 103 221-1 [7] field name	Description	M/C/O
LIID	Lawful Intercept ID associated with the task.	M
DeliveryType	Set to "HI2Only".	M
ListOfDIDs	Details of where to send the IRI for this LIID. Shall be included if deviation from the ListofDIDs in the ActivateTask message is necessary. If included, the ListOfDIDs in the Mediation Details shall be used instead of any delivery destinations authorised by the ListOfDIDs field in the ActivateTask Message.	C

7.3.5.6.2 LI_X2_LA delivery

The LARF shall generate the MMELocationUpdate xIRI in case of the EPC or the AMFLocationUpdate xIRI in case of the 5GC only when it detects that MME/AMF returns the location for the corresponding LARF transaction.

In case of the 5GC, the acquisition response shall be given as a AMFLocationUpdate xIRI record. In case of the EPC, the acquisition response shall be given as an MMELocationUpdate xIRI record. The XID of the xIRI record shall be set to the XID specified in the original request (see clause 5.12.2).

7.3.5.6.3 LI_HI2 delivery

The MDF2 shall generate the IRI message based on the AMFLocationUpdate xIRI record from the LARF and deliver it to the LEMF over LI_HI2.

7.3.6 Location Only Reporting

7.3.6.1 General Information

In some cases, it may be required to deliver only location information associated to a target.

For a warrant authorizing only location reporting, all other IRI information not associated with Location shall not be delivered. For example, when a target places a voice call, the new location information available as part of the call handling, shall be reported, but nothing else. LocationOnly reporting may be provisioned using one of the following methods:

- Using a specific Location Only task provisioned at the IRI-POI.
- Using the Mediation Details at the MDF2.

7.3.6.2 Provisioning Information

The LocationOnlyProvisioning parameter may be included:

- As a TaskDetailsExtension of an ActivateTask message sent to an IRI-POI.
- As a MediationDetailsExtension of an ActivateTask message sent to an MDF2.

Table 7.3.6-1 shows the details of the LocationOnlyProvisioning parameter for TaskDetailsExtension and MediationDetailsExtension.

Table 7.3.6-1: LocationOnlyProvisioning parameters

Field name	Description	M/C/O
LocationOnly	If included, the LI function shall generate the messages described in clause 7.3.6.3.	C

7.3.6.3 Generation of Location Only xIRI

7.3.6.3.1 General

If the LocationOnly flag is set in the TaskDetailsExtension of an ActivateTask message sent to an IRI-POI that task is considered a Location Only task.

7.3.6.3.2 Location Only xIRI in 5GS

For a Location Only task at the IRI-POI in the AMF, whenever any trigger specified for the IRI-POI in the AMF is met for the generation of an xIRI (see clause 6.2.2.2), instead of generating that xIRI, the IRI-POI in AMF shall generate an xIRI containing an AMFLocationUpdate record if there is any location information in the triggering event and send it to the MDF2 over LI_X2. If there is no location information in the triggering event, no xIRI shall be generated.

For a Location Only task at an IRI-POI not in the AMF, whenever any trigger specified for that IRI-POI is met, instead of generating that xIRI, the IRI-POI shall generate an xIRI containing a SeparatedLocationReport record if there is any location information in the triggering event and send it over to the MDF2 over LI_X2 the xIRI is listed in below in this clause.

The IRI-POI in the UDM shall generate the following xIRIs when the appropriate triggers are met and send them over LI_X2 for Location Only tasks:

- UDMServingSystemMessage.

7.3.6.3.3 Location Only xIRI in EPS

For a Location Only task at the IRI-POI in the MME, whenever any trigger specified for the IRI-POI in the MME is met for the generation of an xIRI (see clause 6.3.2.2.2), instead of generating that xIRI, the IRI-POI in MME shall generate an xIRI containing an MMELocationUpdate record if there is any location information in the triggering event and send it to the MDF2 over LI_X2. If there is no location information in the triggering event, no xIRI shall be generated.

For a Location Only task at an IRI-POI not in the MME, whenever any trigger specified for that IRI-POI is met, instead of generating that xIRI, the IRI-POI shall generate an xIRI containing a SeparatedLocationReport record if there is any location information in the triggering event and send it over to the MDF2 over LI_X2 the xIRI is listed in below in this clause.

The IRI-POI in the HSS shall generate the following xIRIs when the appropriate triggers are met and send them over LI_X2 for Location Only tasks:

- HSServingSystemMessage.

7.3.6.4 Generation of Location Only IRI

If the LocationOnly flag is set in the MediationDetailsExtension of an ActivateTask message sent to an MDF2 that task is considered a Location Only task only in the context of this specific MediationDetails set. The MDF2 shall generate IRIs for the following xIRIs for Location Only tasks and send them over LI_HI2:

- UDMServingSystemMessage.
- AMFLocationUpdate.
- LALSReport.
- SeparatedLocationReport.
- HSServingSystemMessage
- MMELocationUpdate.

In addition, whenever any xIRI for a Location Only task is received over LI_X2 from any IRI-POI, if the xIRI is not included in the list above and has location information, the MDF2 shall generate an IRI message containing a SeparatedLocationReport record and send it over LI_HI2 to the provisioned destinations without delay instead of the

IRI message containing a copy of the relevant record received over LI_X2. The record may be enriched by other information available at the MDF (e.g. additional location information).

The MDF2 shall ignore the LocationOnlyProvisioning parameter if it is present in the TaskDetailsExtension of the ActivateTask message.

7.4 Messaging

7.4.1 Introduction

Stage 3 intercept capabilities for SMS at an SMSF are defined in clause 6.2.5. Details on how to remove unauthorised content from SMS messages are defined in clause 7.4.5.2.

Stage 3 for MMS interception follows in clause 7.4.3.

Stage 3 intercept capabilities for RCS are defined in clause 7.13. Details on how to remove unauthorised content from encapsulated RCS messages are defined in clause 7.13.5.

7.4.2 LI at the MMS Proxy-Relay

7.4.2.1 Provisioning over LI_X1

The IRI-POI present in the MMS Proxy-Relay is provisioned over LI_X1 by the LIPF using the X1 protocol as described in clause 5.2.2.

The POI in the MMS Proxy-Relay shall support the following target identifier formats in the ETSI TS 103 221-1 [7] messages:

- E.164Number.
- EmailAddress.
- GPSIMISDN.
- MSISDN (using the E164Number target identifier format from ETSI TS 103 221-1 [7]).
- IMSI.
- SUPIIMSI.
- NAI.
- SUPINAI.

For MMS LI, NAI is treated as an Email Address.

7.4.2.2 Generation of xIRI over LI_X2

The IRI-POI present in the MMS Proxy-Relay shall send xIRI over LI_X2 for the events listed in TS 33.127 [5] clause 7.5.2.3, which is further expanded in the present document in clause 7.4.2.4 below.

7.4.2.3 Generation of xCC over LI_X3

The CC-POI present in the MMS Proxy-Relay shall send xCC over LI_X3 for any MMS event where CC is available and authorized for reporting for the events listed in clause TS 33.127 [5] 7.5.2.3.

The xCC payload shall consist of the MMS contents given as a MIME encoded document (RFC 2045) according to OMA-TS-MMS_ENC [39]. The payload format shall be set to "MIME document" (value 15).

7.4.2.4 MMS Record Generation Cases

The triggers for MMS record generation are detailed in each of clauses 7.4.3.1 through 7.4.3.20. All triggers are defined by the detection of messages at the local MMS Proxy-Relay. They belong to one of two following high-level categories:

- at the local MMS Proxy-Relay, the sending or arrival of a message, either to or from the local target UE, using OMA-TS-MMS_ENC [39] definitions, or
- at the local MMS Proxy-Relay, the sending or arrival of a message to or from a non-local MMS Proxy-Relay, pertaining to messages either to or from a non-local target UE served by that non-local MMS Proxy-Relay, using the inter-proxy MM4 reference point, TS 23.140 [40] clause 8.4 definitions, or
- at the local MMS Proxy-Relay, the sending or arrival of a message to or from an external server (e.g. MM3 interface), pertaining to messages to or from a non-local target UE, using TS 23.140 [40] Annex D and Annex D1 for transformed message definitions.

NOTE: A clear mapping of OMA WAP PDUs to 3GPP Abstract Messages is defined in OMA-TS-MMS_ENC [39] Appendix C.

The present document assumes that the intercepted MMS complies with version 1.3 of OMA-TS-MMS_ENC [39]. If the intercepted messages do not comply fully, or the version is other than 1.3, parameters are required to be provided only if available.

In the following tables, the acronym Multimedia Message (MM) refers to a message in particular, while Multimedia Message Service (MMS) refers to the service in general.

7.4.3 MMS Records

7.4.3.1 MMSSend

The IRI-POI in the MMS Proxy-Relay shall generate an xIRI containing an MMSSend record when the MMS Proxy-Relay sends *m-send-conf* (as defined in OMA-TS-MMS_ENC [39] clause 6.1.1) to local target UE.

Table 7.4.3-1 contains parameters generated by the IRI-POI, along with parameters derived from the *m-send-req* message (from the local target UE to the MMS Proxy-Relay), and the *m-send-conf* message (from MMS Proxy-Relay to the local target UE).

Table 7.4.3-1: Payload for MMSSend

Field name	Description	M/C/O
transactionID	An ID used to correlate an MMS request and response between the target and the MMS Proxy-Relay. As defined in OMA-TS-MMS_ENC [39] clause 7.3.63.	M
version	The version of MM, to include major and minor version.	M
dateTime	Date and Time when the MM was last handled (either originated or forwarded). For origination, included by the sending MMS client or the originating MMS Proxy-Relay.	M
originatingMMSParty	ID(s) of the originating party in one or more of the formats described in 7.4.2.1. When address translation occurs (such as the case of a token sent by the client and replaced with a proper address by the MMS Proxy-Relay), both the pre and post translated addresses (with appropriate correlation) are included.	M
terminatingMMSParty	ID(s) of the terminating party in one or more of the formats described in 7.4.2.1. When address translation occurs (such as the case of a token sent by the client and replaced with a proper address by the MMS Proxy-Relay), both the pre and post translated addresses (with appropriate correlation) are included. This parameter is included if the corresponding MM includes a "TO" field. At least one of the terminatingMMSParty, cCRecipients, or bCRecipients must be included.	C
cCRecipients	Address of a recipient; the "CC" field may include addresses of multiple recipients. When address translation occurs, both the pre and post translated addresses (with appropriate correlation) are included. This parameter is included if the corresponding MM includes a "CC" field. At least one of the terminatingMMSParty, cCRecipients, or bCRecipients must be included.	C
bCRecipients	Address of a recipient; the "BCC" field may include addresses of multiple recipients. When address translation occurs, both the pre and post translated addresses (with appropriate correlation) are included. This parameter is included if the corresponding MM includes a "BCC" field. At least one of the terminatingMMSParty, cCRecipients, or bCRecipients must be included.	C
direction	Indicates the direction of the MM. This shall be encoded as "from target."	M
subject	The subject of the MM. Include if sent to the MMS Proxy-Relay.	C
messageClass	Class of the MM. For example, a value of "auto" is automatically generated by the UE. If the field is not present, the class should be interpreted as "personal." Include if sent to the MMS Proxy-Relay.	C
expiry	Length of time in seconds the MM will be stored in MMS Proxy-Relay or time to delete the MM. The field has two formats, either absolute or relative.	M
desiredDeliveryTime	Date and Time of desired delivery. Indicates the earliest possible delivery of the MM to the recipient. Include if sent to the MMS Proxy-Relay.	C
priority	Priority of the MM assigned by the originator MMS Client. Include if sent to the MMS Proxy-Relay.	C
senderVisibility	An indication that the sender's address should not be delivered to the recipient. Sent by the target to indicate the target's visibility to the other party or if not signalled by the target and the default is to not make target visible to the other party. The values given in OMA-TS-MMS_ENC [39] clause 7.3.52 shall be encoded as follows: "Show" = True, "Hide" = False. Include if sent to the MMS Proxy-Relay.	C
deliveryReport	Specifies whether the originator MM UE requests a delivery report from each recipient. Sent by the target to indicate the desired delivery report. The values given in OMA-TS-MMS_ENC [39] clause 7.3.13. shall be encoded as follows: "Yes" = True, "No" = False. Include if sent to the MMS Proxy-Relay.	C
readReport	Specifies whether the originator MM UE requests a read report from each recipient. Sent by the target to indicate the desired read report. The values given in OMA-TS-MMS_ENC [39] clause 7.3.37 shall be encoded as follows: "Yes" = True, "No" = False. Include if sent to the MMS Proxy-Relay.	C
store	Specifies whether the originator MM UE wants the submitted MM to be saved in the user's MMBox, in addition to sending it. Sent by the target to indicate the MM is to be stored. The values given in OMA-TS-MMS_ENC [39] clause 7.3.56 shall be encoded as follows: "Yes" = True, "No" = False. Include if sent to the MMS Proxy-Relay.	C

state	Identifies the value of the MM State associated with a to be stored or stored MM. See OMA-TS-MMS_ENC [39] clause 7.3.33. Include if sent to the MMS Proxy-Relay.	C
flags	Identifies a keyword to add or remove from the list of keywords associated with a stored MM. See OMA-TS-MMS_ENC [39] clause 7.3.32. Include if sent to the MMS Proxy-Relay.	C
replyCharging	If this field is present its value is set to "accepted" or "accepted text only" and the MMS-version-value of the M-Notification.ind PDU is higher than 1.0, this header field will indicate that a reply to this particular MM is free of charge for the recipient. If the Reply-Charging service is offered and the request for reply-charging has been accepted by the MMS service provider the value of this header field SHALL be set to "accepted" or "accepted text only". See OMA-TS-MMS_ENC [39] clause 7.3.43. Include if sent to the MMS Proxy-Relay.	C
applicID	Identification of the originating application of the original MM. Sent by the target to identify the destination application as defined in OMA-TS-MMS_ENC [39] clause 7.3.2. Include if sent to the MMS Proxy-Relay.	C
replyApplicID	Identification of an application to which replies, delivery reports, and read reports are addressed. Sent by the target to identify the application to which replies, delivery reports, and read reports are addressed as defined in OMA-TS-MMS_ENC [39] clause 7.3.42. Include if sent to the MMS Proxy-Relay.	C
auxApplicInfo	Auxiliary application addressing information as indicated in the original MM. As defined in OMA-TS-MMS_ENC [39] clause 7.3.4. Include if sent to the MMS Proxy-Relay.	C
contentClass	Classifies the content of the MM to the smallest content class to which the message belongs. Sent by the target to identify the class of the content. See OMA-TS-MMS_ENC [39] clause 7.3.9. Include if sent to the MMS Proxy-Relay.	C
dRMContent	Indicates if the MM contains any DRM-protected element. Provide when sent by the target to indicate if the MM contains any DRM-protected element. The values given in OMA-TS-MMS_ENC [39] clause 7.3.16 shall be encoded as follows: "Yes" = True, "No" = False. Include if sent to the MMS Proxy-Relay.	C
adaptationAllowed	Provide when sent by the target to identify whether the target wishes the MM to be adapted or not. If overridden, an indication shall be included in the parameter. Include if sent to the MMS Proxy-Relay.	C
contentType	The content type of the MM. See OMA-TS-MMS_ENC [39] clause 7.3.11	M
responseStatus	MMS specific status. See OMA-TS-MMS_ENC [39] clause 7.3.48.	M
responseStatusText	Text that qualifies the Response Status. Include if sent to the target. As defined in OMA-TS-MMS_ENC [39] clause 7.3.49. Include if sent by the MMS Proxy-Relay.	C
messageID	An ID assigned by the MMS Proxy-Relay to uniquely identify an MM. As defined in OMA-TS-MMS_ENC [39] clause 7.3.29.	M

7.4.3.2 MMSSendByNonLocalTarget

The IRI-POI in the MMS Proxy-Relay shall generate an xIRI containing an MMSSendByNonLocalTarget record when the MMS Proxy-Relay receives *MM4_forward.REQ* (as defined in TS 23.140 [40] clause 8.4.1) from the non-local MMS Proxy-Relay, that contains a non-local target ID.

Table 7.4.3-2 contains parameters generated by the IRI-POI, along with parameters derived from the *MM4_forward.REQ* message (from the non-local MMS Proxy-Relay to the local MMS Proxy-Relay).

Table 7.4.3-2: Payload for MMSendByNonLocalTarget

Field name	Description	M/C/O
version	The version of MM, to include major and minor version.	M
transactionID	An ID used to correlate an MMS request and response between the proxies. As defined in TS 23.140 [40] clause 8.4.1.4.	M
messageID	An ID assigned by the MMS Proxy-Relay to uniquely identify an MM. As defined in TS 23.140 [40] clause 8.4.1.4.	M
terminatingMMSParty	ID(s) of the terminating party in one or more of the formats described in 7.4.2.1.	M
originatingMMSParty	ID(s) of the originating party in one or more of the formats described in 7.4.2.1.	M
direction	Indicates the direction of the MM. This shall be encoded as "from target."	M
contentType	The content type of the MM. See OMA-TS-MMS_ENC [39] clause 7.3.11	M
messageClass	Class of the MM. For example, a value of "auto" is automatically generated by the UE. If the field is not present, the class should be interpreted as "personal." Include if sent to the MMS Proxy-Relay.	C
dateTime	Date and Time when the MM was last handled (either originated or forwarded).	M
expiry	Length of time in seconds the MM will be stored in MMS Proxy-Relay or time to delete the MM. The field has two formats, either absolute or relative. Include if sent to the MMS Proxy-Relay.	C
deliveryReport	Specifies whether the originator MM UE requests a delivery report from each recipient. Indicates the desired delivery report. The values given in TS 23.140 [40] clause 8.4.1.4 shall be encoded as follows: "Yes" = True, "No" = False. Include if it exists in the MMS Proxy-Relay message. Include if sent to the MMS Proxy-Relay.	C
priority	Priority of the MM assigned by the originator MMS Client. Reported if sent by the target. Include if sent to the MMS Proxy-Relay.	C
senderVisibility	An indication that the sender's address should not be delivered to the recipient. Indicates the target's visibility to the other party or if not signalled by the target and the default is to not make target visible to the other party. The values given in TS 23.140 [40] clause 8.4.1.4 shall be encoded as follows: "Show" = True, "Hide" = False. Include if sent to the MMS Proxy-Relay.	C
readReport	Specifies whether the originator MM UE requests a read report from each recipient. Provide when sent by the target to indicate the desired read report. The values given in TS 23.140 [40] clause 8.4.1.4 shall be encoded as follows: "Yes" = True, "No" = False. Include if sent to the MMS Proxy-Relay.	C
subject	The subject of the MM. Include if sent by the target.	C
forwardCount	The number of times the MM was forwarded	C
previouslySentBy	History of UEs that have forwarded (including originally submitted) the MM. Include if sent to the MMS Proxy-Relay.	C
previouslySentByDateTime	The timestamp associated with the previous forward events. Include if sent to the MMS Proxy-Relay.	C
applicID	Identification of the originating application of the original MM. Provide when sent by the target to identify the destination application as defined in TS 23.140 [40] clause 8.4.1.4. Include if sent to the MMS Proxy-Relay.	C
replyApplicID	Identification of an application to which replies, delivery reports, and read reports are addressed. Provide when sent by the target to identify the application to which replies, delivery reports, and read reports are addressed as defined in TS 23.140 [40] clause 8.4.1.4. Include if sent to the MMS Proxy-Relay.	C
auxApplicInfo	Auxiliary application addressing information as indicated in the original MM. As defined in OMA-TS-MMS_ENC [39] clause 7.3.4. Include if sent to the MMS Proxy-Relay.	C
contentClass	Classifies the content of the MM to the smallest content class to which the message belongs. Identifies the class of the content. Include if sent to the MMS Proxy-Relay.	C
dRMContent	Indicates if the MM contains any DRM-protected element. Indicates if the MM contains any DRM-protected element. The values given as defined in TS 23.140 [40] clause 8.4.1.4 shall be encoded as follows: "Yes" = True, "No" = False. Include if sent to the MMS Proxy-Relay.	C
adaptationAllowed	Identifies whether the target wishes the MM to be adapted or not. If overridden, an indication shall be included in the parameter. Include if sent to the MMS Proxy-Relay.	C

7.4.3.2A MMSConvertedFromEmail

The IRI-POI in the MMS Proxy-Relay shall generate an xIRI containing an MMSConvertedFromEmail record when the MMS Proxy-Relay transforms an email from an external server (as defined in TS 23.140 [40] Annex D and Annex D1) that contains a non-local target ID.

Table 7.4.3.2A-1 contains parameters generated by the IRI-POI, along with parameters derived from the transformed message.

Table 7.4.3.2A-1: Payload for MMSConvertedFromEmail

Field name	Description	M/C /O
version	The version of MM, to include major and minor version. Generated by the Proxy-Relay at the time of conversion.	M
transactionID	An ID used to correlate an MMS request and response between the target and the MMS Proxy-Relay. Generated by MMS Proxy-Relay at the time of conversion. As defined in OMA-TS-MMS_ENC [39] clause 7.3.63.	M
terminatingMMSParty	ID(s) of the terminating party in one or more of the formats described in clause 7.4.2.1 (see NOTE).	M
contentType	The content type of the transformed message (see NOTE).	M
originatingMMSParty	ID of the originating party in one or more of the formats described in clause 7.4.2.1 (see NOTE).	M
messageClass	Class of the MM. For example, a value of "auto" is automatically generated by the UE. Should be created by the MMS Proxy-Relay at the time of conversion and set to "personal". Include when created by the MMS Proxy-Relay at the time of transformation.	C
dateTime	Date and Time when the message was last handled (either originated or forwarded) (see NOTE).	M
expiry	Length of time in seconds the MM will be stored in MMS Proxy-Relay or time to delete the MM Include when sent to the MMS Proxy-Relay (see NOTE).	C
deliveryReport	Specifies whether the originator email requests a delivery report from each recipient. Sent by the target to indicate the desired delivery report. Shall be encoded as follows: "Yes" = True, "No" = False. Include if sent to the MMS Proxy-Relay (see NOTE).	C
priority	Priority of the email assigned by the originator. Include if sent to the MMS Proxy-Relay (see NOTE).	C
readReport	Specifies whether the originator requests a read reply report from each recipient. Sent by the target to indicate the desired read reply report (see NOTE). Shall be encoded as follows: "Yes" = True, "No" = False. Include if sent to the MMS Proxy-Relay.	C
subject	The subject of the email. Include if sent to the MMS Proxy-Relay.	C
messageID	An ID assigned by the MMS Proxy-Relay to uniquely identify an MM. Include if sent to the MMS Proxy-Relay (see NOTE).	C
NOTE: The transformation of these fields from an email header to an MMS information element is defined in TS 23.140 [40] table D1.3.		

7.4.3.3 MMSNotification

The IRI-POI in the MMS Proxy-Relay shall generate an xIRI containing an MMSNotification record when the MMS Proxy-Relay sends a *m-notification-ind* (as defined in OMA-TS-MMS_ENC [39] clause 6.2) to the MMS client in the local target UE.

Table 7.4.3-3 contains parameters generated by the IRI-POI, along with parameters derived from the *m-notification-ind* message (from the local MMS Proxy-Relay to the local target).

Table 7.4.3-3: Payload for MMSNotification

Field name	Description	M/C/O
transactionID	An ID used to correlate an MMS request and response between the target and the MMS Proxy-Relay. As defined in OMA-TS-MMS_ENC [39] clause 7.3.63.	M
version	The version of MM, to include major and minor version.	M
originatingMMSParty	ID(s) of the originating party in one or more of the formats described in clause 7.4.2.1 When address translation occurs (such as the case of a token sent by the client and replaced with a proper address by the MMS Proxy-Relay), both the pre and post translated addresses (with appropriate correlation) are included. If the originating MMS client requested address hiding, but the MMS Proxy-Relay has access to the "From" field, this shall be reported, regardless of the fact that it may be hidden from the recipient.	C
direction	Indicates the direction of the MM. This shall be encoded as "to target."	M
subject	The subject of the MM. Include if sent by the MMS Proxy-Relay.	C
deliveryReportRequested	Specifies whether the originator MMS UE requests a delivery report from each recipient. The values given in OMA-TS-MMS_ENC [39] clause 7.3.13 shall be encoded as follows: "Yes" = True, "No" = False. Include if sent by the MMS Proxy-Relay.	C
stored	Specifies whether the MM was stored in the target's MMBox, and that the <i>content-location-value</i> field is a reference to it. "Stored" is coded as True, and "not Stored" is coded as False. As defined in OMA-TS-MMS_ENC [39] clause 7.3.57. Include if sent by the MMS Proxy-Relay.	C
messageClass	Class of the MM. For example, a value of "auto" is automatically generated by the UE.	M
priority	Priority of the MM assigned by the originator MMS Client. Include if sent by the MMS Proxy-Relay.	C
messageSize	Specifies the size of the MM that was viewed or uploaded. Specified in bytes.	M
expiry	Length of time in seconds the MM will be stored in MMS Proxy-Relay or time to delete the MM. The field has two formats, either absolute or relative.	M
replyCharging	If this field is present its value is set to "accepted" or "accepted text only" and the MMS-version-value of the M-Notification.ind PDU is higher than 1.0, this header field will indicate that a reply to this particular MM is free of charge for the recipient. If the Reply-Charging service is offered and the request for reply-charging has been accepted by the MMS service provider the value of this header field SHALL be set to "accepted" or "accepted text only". See OMA-TS-MMS_ENC [39] clause 7.3.43. Include if sent by the MMS Proxy-Relay.	C

7.4.3.4 MMSSendToNonLocalTarget

The IRI-POI in the MMS Proxy-Relay shall generate an xIRI containing an MMSSendToNonLocalTarget record when the local MMS Proxy-Relay sends a *MM4_forward.REQ* (as defined in TS 23.140 [40] clause 8.4.1) to the non-local MMS Proxy-Relay, that contains a non-local target ID.

Table 7.4.3-4 contains parameters generated by the IRI-POI, along with parameters derived from the *MM4_forward.REQ* message (from the non-local MMS Proxy-Relay to the local MMS Proxy-Relay).

Table 7.4.3-4: Payload for MMSendToNonLocalTarget

Field name	Description	M/C/O
version	The version of MM, to include major and minor version.	M
transactionID	An ID used to correlate an MMS request and response between the proxies. As defined in TS 23.140 [40] clause 8.4.1.4.	M
messageID	An ID assigned by the MMS Proxy-Relay to uniquely identify an MM. As defined in TS 23.140 [40] clause 8.4.1.4.	M
terminatingMMSParty	ID(s) of the terminating party in one or more of the formats described in 7.4.2.1.	M
originatingMMSParty	ID(s) of the originating party in one or more of the formats described in 7.4.2.1.	M
direction	Indicates the direction of the MM. This shall be encoded as "to target."	M
contentType	The content type of the MM. See OMA-TS-MMS_ENC [39] clause 7.3.11	M
messageClass	Class of the MM. For example, a value of "auto" is automatically generated by the UE. If the field is not present, the class should be interpreted as "personal." Include if sent by the MMS Proxy-Relay message.	C
dateTime	Date and Time when the MM was last handled (either originated or forwarded).	M
expiry	Length of time in seconds the MM will be stored in MMS Proxy-Relay or time to delete the MM. The field has two formats, either absolute or relative. Include if sent by the MMS Proxy-Relay message.	C
deliveryReportRequested	Specifies whether the originator MMS UE requests a delivery report from each recipient. Indicates the desired delivery report. The values given in TS 23.140 [40] clause 8.4.1.4 shall be encoded as follows: "Yes" = True, "No" = False. Include if sent by the MMS Proxy-Relay message.	C
priority	Priority of the MM assigned by the originator MMS Client. Reported if sent by the target. Include if sent by the MMS Proxy-Relay message.	C
senderVisibility	Indicates whether the sender's address should not be delivered to the recipient. Indicates the target's visibility to the other party or if not signalled by the target and the default is to not make target visible to the other party. The values given in TS 23.140 [40] clause 8.4.1.4 shall be encoded as follows: "Show" = True, "Hide" = False. Include if sent by the MMS Proxy-Relay message.	C
readReport	Specifies whether the originator MMS UE requests a read report from each recipient. Indicates the desired read report. The values given in TS 23.140 [40] clause 8.4.1.4 shall be encoded as follows: "Yes" = True, "No" = False. Include if sent by the MMS Proxy-Relay message.	C
subject	The subject of the MM. Include if sent to the target.	C
forwardCount	The number of times the MM was forwarded	C
previouslySentBy	History of UEs that have forwarded (including originally submitted) the MM. Include if sent by the MMS Proxy-Relay message.	C
previouslySentByDateTime	The timestamp associated with the previous forward events. Include if sent by the MMS Proxy-Relay message.	C
applicID	Identification of the originating application of the original MM. Provide when sent by the target to identify the destination application as defined in TS 23.140 [40] clause 8.4.1.4. Include if sent by the MMS Proxy-Relay message.	C
replyApplicID	Identification of an application to which replies, delivery reports, and read reports are addressed. Identifies the application to which replies, delivery reports, and read reports are addressed as defined in TS 23.140 [40] clause 8.4.1.4. Include if sent by the MMS Proxy-Relay message.	C
auxApplicInfo	Auxiliary application addressing information as indicated in the original MM. As defined in OMA-TS-MMS_ENC [39] clause 7.3.4. Include if sent by the MMS Proxy-Relay message.	C
contentClass	Classifies the content of the MM to the smallest content class to which the message belongs. Identifies the class of the content. Include if sent by the MMS Proxy-Relay message.	C
dRMContent	Indicates if the MM contains any DRM-protected element. Indicates if the MM contains any DRM-protected element. The values given as defined in TS 23.140 [40] clause 8.4.1.4 shall be encoded as follows: "Yes" = True, "No" = False. Include if sent by the MMS Proxy-Relay message.	C
adaptationAllowed	identifies whether the target wishes the MM to be adapted or not. If overridden, an indication shall be included in the parameter. Include if sent by the MMS Proxy-Relay message.	C
store	Specifies whether the originator MMS UE wants the submitted MM to be saved in the user's MMBox, in addition to sending it. Indicates whether the MMS is to be stored. The values given in TS 23.140 [40] clause 8.4.1.4 shall be encoded as follows: "Yes" = True, "No" = False. Include if sent by the MMS Proxy-Relay message.	C

applicID	Identification of the originating application of the original MM. Identifies the destination application as defined in TS 23.140 [40] clause 8.4.1.4. Include if sent by the MMS Proxy-Relay message.	C
replyApplicID	Identification of an application to which replies, delivery reports, and read reports are addressed. Identifies the application to which replies, delivery reports, and read reports are addressed as defined in TS 23.140 [40] clause 8.4.1.4. Include if sent by the MMS Proxy-Relay message.	C
auxApplicInfo	Auxiliary application addressing information as indicated in the original MM. As defined in OMA-TS-MMS_ENC [39] clause 7.3.4. Include if sent by the MMS Proxy-Relay message.	C
contentClass	Classifies the content of the MM to the smallest content class to which the message belongs. Identifies the class of the content. Include if sent by the MMS Proxy-Relay message.	C
dRMContent	Indicates if the MM contains any DRM-protected element. Indicates whether the MM contains any DRM-protected element. The values given as defined in TS 23.140 [40] clause 8.4.1.4 shall be encoded as follows: "Yes" = True, "No" = False. Include if sent by the MMS Proxy-Relay message.	C

7.4.3.4A MMSConvertedToEmail

The IRI-POI in the MMS Proxy-Relay shall generate an xIRI containing an MMSConvertedToEmail record when the MMS Proxy-Relay transforms a submitted MM into an email format (as defined in TS 23.140 [40] table D1.1) to a non-local target ID.

Table 7.4.3.4A-1 contains parameters generated by the IRI-POI, along with parameters derived from the submitted MM message being transformed into an external format.

Table 7.4.3.4A-1: Payload for MMSConvertedToEmail

Field name	Description	M/C /O
version	The version of MM, to include major and minor version. Retrieved from the submitted MM being transformed into external format.	M
transactionID	An ID used to correlate an MMS request and response between the sender and the MMS Proxy-Relay. Retrieved from the submitted MM. As defined in OMA-TS-MMS_ENC [39] clause 7.3.63.	M
terminatingMMSParty	ID(s) of the terminating party in one or more of the formats described in clause 7.4.2.1.	M
contentType	The content type of the MM. As defined in TS 23.140 [40] clause D1.1.	M
originatingMMSParty	ID of the originating party in one or more of the formats described in clause 7.4.2.1.	M
messageClass	Class of the MM. For example, a value of "auto" is automatically generated by the UE. If the field is not present, the class should be interpreted as "personal". Retrieved from the submitted MM being transformed into external format. Include if sent to the MMS Proxy-Relay.	C
dateTime	Date and Time when the MM was last handled (either originated or forwarded). For origination, included by the sending MMS client or the originating MMS Proxy-Relay.	M
expiry	Length of time in seconds the MM will be stored in MMS Proxy-Relay or time to delete the MM. The field has two formats, either absolute or relative. Include if sent to the MMS Proxy-Relay.	C
desiredDeliveryTime	Date and Time of desired delivery. Indicates the earliest possible delivery of the MM to the recipient. Include if sent to the MMS Proxy-Relay. Retrieved from the submitted MM1 "Earliest Delivery Time" information element.	C
deliveryReport	Specifies whether the originator MM UE requests a delivery report from each recipient. Sent by the sender to indicate the desired delivery report. Shall be encoded as follows: "Yes" = True, "No" = False. Include if sent to the MMS Proxy-Relay.	C
priority	Priority of the MM assigned by the originator MMS Client. Include if sent to the MMS Proxy-Relay.	C
senderVisibility	An indication that the sender's address should not be delivered to the recipient. Sent by the sender to indicate the sender's visibility to the other party or if not signalled by the sender and the default is to not make sender visible to the other party. Shall be encoded as follows: "Show" = True, "Hide" = False. Include if sent to the MMS Proxy-Relay.	C
store	Specifies whether the originator MM UE wants the submitted MM to be saved in the user's MMBox, in addition to sending it. Shall be encoded as follows: "Yes" = True, "No" = False. Include if sent to the MMS Proxy-Relay.	C
state	Identifies the value of the MM State associated with a to be stored or stored MM. Include if sent to the MMS Proxy-Relay.	C
flags	Identifies a keyword to add or remove from the list of keywords associated with a stored MM. Include if sent to the MMS Proxy-Relay.	C
readReport	Specifies whether the originator MM UE requests a read reply report from each recipient. Sent by the sender to indicate the desired read reply report. Shall be encoded as follows: "Yes" = True, "No" = False. Include if sent to the MMS Proxy-Relay.	C
subject	The subject of the MM. Include if sent to the MMS Proxy-Relay.	C
messageID	An ID assigned by the MMS Proxy-Relay to uniquely identify an MM. As defined in TS 23.140 [40] clause D1.1. Shall be included when it is generated by the MMS Proxy-Relay.	C

7.4.3.5 MMSNotificationResponse

The IRI-POI in the MMS Proxy-Relay shall generate an xIRI containing an MMSNotificationResponse record when the MMS Proxy-Relay receives a *m-notifyresp-ind* (as defined in OMA-TS-MMS_ENC [39] clause 6.2 table 4) from the MMS client in the target UE for the deferred retrieval case only. The immediate retrieval trigger on *m-notifyresp-ind* is in clause 7.4.3.7.

Table 7.4.3-5 contains parameters generated by the IRI-POI, along with parameters derived from the *m-notifyresp-ind* message (from the local target UE to the MMS Proxy-Relay).

Table 7.4.3-5: Payload for MMSNotificationResponse

Field name	Description	M/C/O
transactionID	An ID used to correlate an MMS request and response between the target and the MMS Proxy-Relay. As defined in OMA-TS-MMS_ENC [39] clause 7.3.63.	M
version	The version of MM, to include major and minor version.	M
direction	Indicates the direction of the MM. This shall be encoded as "to target"	M
status	Provides a MM status. A status of "retrieved" is only signalled by the retrieving UE after retrieval of the MM.	M
reportAllowed	Indication whether or not the sending of delivery report is allowed by the recipient MMS Client. The values given in OMA-TS-MMS_ENC [39] clause 7.3.47 shall be encoded as follows: "Yes" = True, "No" = False. Include if sent to the MMS Proxy-Relay.	C

7.4.3.6 MMSRetrieval

The IRI-POI in the MMS Proxy-Relay shall generate an xIRI containing an MMSRetrieval record when the MMS Proxy-Relay sends a *m-retrieve-conf* (as defined in OMA-TS-MMS_ENC [39] clause 6.3) to the MMS client in the target UE.

Table 7.4.3-6 contains parameters generated by the IRI-POI, along with parameters derived from the *m-retrieve-conf* message (from the MMS Proxy-Relay to the local target UE).

Table 7.4.3-6: Payload for MMSRetrieval

Field name	Description	M/C/O
transactionID	An ID used to correlate an MMS request and response between the target and the MMS Proxy-Relay. As defined in OMA-TS-MMS_ENC [39] clause 7.3.63.	M
version	The version of MM, to include major and minor version.	M
messageID	An ID assigned by the MMS Proxy-Relay to uniquely identify an MM. As defined in OMA-TS-MMS_ENC [39] clause 7.3.29.	M
dateTime	Date and Time when the MM was last handled (either originated or forwarded). For origination, included by the sending MMS client or the originating MMS Proxy-Relay.	M
originatingMMSParty	ID(s) of the originating party in one or more of the formats described in 7.4.2.1 When address translation occurs (such as the case of a token sent by the client and replaced with a proper address by the MMS Proxy-Relay), both the pre and post translated addresses (with appropriate correlation) are included. Include if sent by the MMS Proxy-Relay.	C
previouslySentBy	History of UEs that have forwarded (including originally submitted) the MM. Include if sent by the MMS Proxy-Relay.	C
previouslySentByDateTime	The timestamp associated with the previous forward events. Include if sent by the MMS Proxy-Relay.	C
terminatingMMSParty	ID(s) of the terminating party in one or more of the formats described in 7.4.2.1 When address translation occurs (such as the case of a token sent by the client and replaced with a proper address by the MMS Proxy-Relay), both the pre and post translated addresses (with appropriate correlation) are included. Include if sent by the MMS Proxy-Relay. At least one of the terminatingMMSParty or cCRecipients must be included.	C
cCRecipients	Address of a recipient; the "CC" field may include addresses of multiple recipients. When address translation occurs, both the pre and post translated addresses (with appropriate correlation) are included. Include if sent by the MMS Proxy-Relay. At least one of the terminatingMMSParty or cCRecipients must be included.	C
direction	Indicates the direction of the MM. This shall be encoded as "to target," or "fromTarget," as appropriate.	M
subject	The subject of the MM. Include if sent by the MMS Proxy-Relay.	C
state	Identifies the value of the MM State associated with a to be stored or stored MM. See OMA-TS-MMS_ENC [39] clause 7.3.33. Include if sent by the MMS Proxy-Relay.	C
flags	Identifies a keyword to add or remove from the list of keywords associated with a stored MM. Include if sent. See OMA-TS-MMS_ENC [39] clause 7.3.32. Include if sent by the MMS Proxy-Relay.	C
messageClass	Class of the MM. For example, a value of "auto" is automatically generated by the UE. If the field is not present, the class should be interpreted as "personal." Include if sent by the MMS Proxy-Relay.	C
priority	Priority of the MM assigned by the originator MMS Client. Include if sent by the MMS Proxy-Relay.	C
deliveryReport	Specifies whether the originator MM UE requests a delivery report from each recipient. Indicates whether a delivery report is desired. The values given in OMA-TS-MMS_ENC [39] clause 7.3.13. shall be encoded as follows: "Yes" = True, "No" = False. Include if sent by the MMS Proxy-Relay.	C
readReport	Specifies whether the originator MM UE requests a read report from each recipient. Indicates whether a read report is desired. The values given in OMA-TS-MMS_ENC [39] clause 7.3.37 shall be encoded as follows: "Yes" = True, "No" = False. Include if sent by the MMS Proxy-Relay.	C
replyCharging	If this field is present its value is set to "accepted" or "accepted text only" and the MMS-version-value of the PDU is higher than 1.0, this header field will indicate that a reply to this particular MM is free of charge for the recipient. If the Reply-Charging service is offered and the request for reply-charging has been accepted by the MMS service provider the value of this header field SHALL be set to "accepted" or "accepted text only". See OMA-TS-MMS_ENC [39] clause 7.3.43. Include if sent by the MMS Proxy-Relay.	C
retrieveStatus	MMS specific status. It is used by the recipient MMS Proxy-Relay to inform the recipient MMS Client about errors, if any that occurred during the preceding retrieval operation. Include if sent by the MMS Proxy-Relay.	C
retrieveStatusText	Text that qualifies the Retrieve Status. As defined in OMA-TS-MMS_ENC [39] clause 7.3.55. Include if sent by the MMS Proxy-Relay.	C

applicID	Identification of the originating application of the original MM. Sent by the target to identify the destination application as defined in OMA-TS-MMS_ENC [39] clause 7.3.2. Include if sent by the MMS Proxy-Relay.	C
replyApplicID	Identification of an application to which replies, delivery reports, and read reports are addressed. Sent by the target to identify the application to which replies, delivery reports, and read reports are addressed as defined in OMA-TS-MMS_ENC [39] clause 7.3.42. Include if sent by the MMS Proxy-Relay.	C
auxApplicInfo	Auxiliary application addressing information as indicated in the original MM. As defined in OMA-TS-MMS_ENC [39] clause 7.3.4. Include if sent by the MMS Proxy-Relay.	C
contentClass	Classifies the content of the MM to the smallest content class to which the message belongs. Sent by the target to identify the class of the content. See OMA-TS-MMS_ENC [39] clause 7.3.9. Include if sent by the MMS Proxy-Relay.	C
dRMContent	Indicates if the MM contains any DRM-protected element. Provide when sent by the target to indicate if the MM contains any DRM-protected element. The values given in OMA-TS-MMS_ENC [39] clause 7.3.16 shall be encoded as follows: "Yes" = True, "No" = False. Include if sent by the MMS Proxy-Relay.	C
replaceID	Indicates the message ID of the message this one is intended to replace. Include if sent by the MMS Proxy-Relay.	C
contentType	The content type of the MM. See OMA-TS-MMS_ENC [39] clause 7.3.11.	M

7.4.3.7 MMSDeliveryAck

The IRI-POI in the MMS Proxy-Relay shall generate an xIRI containing an MMSDeliveryAck record when:

- the MMS Proxy-Relay receives an *m-acknowledge-ind* (as defined in OMA-TS-MMS_ENC [39] clause 6.4) from the MMS client in the target UE (for deferred retrieval), or
- the MMS Proxy-Relay receives an *m-notifyresp-ind* (as defined in OMA-TS-MMS_ENC [39] clause 6.4) from the MMS client in the target UE (for immediate retrieval).

Table 7.4.3-7 contains parameters generated by the IRI-POI, along with parameters derived from the *m-acknowledge-ind* message (from the local target UE to the MMS Proxy-Relay), and the *m-notifyresp-ind* message (from the local target UE to the MMS Proxy-Relay).

Table 7.4.3-7: Payload for MMSDeliveryAck

Field name	Description	M/C/O
transactionID	An ID used to correlate an MMS request and response between the target and the MMS Proxy-Relay. As defined in OMA-TS-MMS_ENC [39] clause 7.3.63.	M
version	The version of MM, to include major and minor version.	M
reportAllowed	Indicates whether the target allows sending of a delivery report. Encoded as "Yes" = True, "No" = False. Include if received by the MMS Proxy-Relay.	C
status	Provides a MM status. A status of "retrieved" is only signalled by the retrieving UE after retrieval of the MM. Include if received by the MMS Proxy-Relay and if generated from a <i>m-notifyresp-ind</i> .	C
direction	Indicates the direction of the MM. This shall be encoded as "to target."	M

7.4.3.8 MMSForward

The IRI-POI in the MMS Proxy-Relay shall generate an xIRI containing an MMSForward record when the MMS Proxy-Relay sends an *m-forward-conf* (as defined in OMA-TS-MMS_ENC [39] clause 6.5.2) to the MMS client in the target UE.

Table 7.4.3-8 contains parameters generated by the IRI-POI, along with parameters derived from the *m-forward-req* message (from the local target UE to the MMS Proxy-Relay), and the *m-forward-conf* message (from the MMS Proxy-Relay to the local target UE).

Table 7.4.3-8: Payload for MMSForward

Field name	Description	M/C/O
transactionID	An ID used to correlate an MMS request and response between the target and the MMS Proxy-Relay. As defined in OMA-TS-MMS_ENC [39] clause 7.3.63.	M
version	The version of MM, to include major and minor version.	M
dateTime	Date and Time when the MM last handled (either originated or forwarded). For origination, included by the sending MMS client or the originating MMS Proxy-Relay. Include if sent to the MMS Proxy-Relay.	C
originatingMMSParty	ID(s) of the originating (forwarding) party in one or more of the formats described in 7.4.2.1 When address translation occurs (such as the case of a token sent by the client and replaced with a proper address to the MMS Proxy-Relay), both the pre and post translated addresses (with appropriate correlation) are included.	M
terminatingMMSParty	ID(s) of the terminating party in one or more of the formats described in 7.4.2.1 When address translation occurs (such as the case of a token sent by the client and replaced with a proper address by the MMS Proxy-Relay), both the pre and post translated addresses (with appropriate correlation) are included. Include if sent to the MMS Proxy-Relay. At least one of the terminatingMMSParty, cCRecipients, or bCCRecipients must be included.	C
cCRecipients	Address of a recipient; the "CC" field may include addresses of multiple recipients. When address translation occurs, both the pre and post translated addresses (with appropriate correlation) are included. This parameter is included if the corresponding MM includes a "CC" field. Include if sent to the MMS Proxy-Relay. At least one of the terminatingMMSParty, cCRecipients, or bCCRecipients must be included.	C
bCCRecipients	Address of a recipient; the "BCC" field may include addresses of multiple recipients. When address translation occurs, both the pre and post translated addresses (with appropriate correlation) are included. This parameter is included if the corresponding MM includes a "BCC" field. Include if sent to the MMS Proxy-Relay. At least one of the terminatingMMSParty, cCRecipients, or bCCRecipients must be included.	C
direction	Indicates the direction of the MM. This shall be encoded as "from target."	M
expiry	Length of time in seconds the MM will be stored in MMS Proxy-Relay or time to delete the MM. The field has two formats, either absolute or relative. Include either the signalled expiry or the default, whichever applies. Include if sent to the MMS Proxy-Relay.	C
desiredDeliveryTime	Date and Time of desired delivery. Indicates the earliest possible delivery of the MM to the recipient. Include if sent to the MMS Proxy-Relay.	C
deliveryReportAllowed	An indication that the target requested reporting to the original sender or the default, whichever applies. The values given in OMA-TS-MMS_ENC [39] clause 7.3.47 shall be encoded as follows: "Yes" = True, "No" = False. Include if sent to the MMS Proxy-Relay.	C
deliveryReport	Specifies whether the originator MMS UE requests a delivery report from each recipient. The values given in OMA-TS-MMS_ENC [39] clause 7.3.13. shall be encoded as follows: "Yes" = True, "No" = False. Include if sent to the MMS Proxy-Relay.	C
store	Specifies whether the originator MMS UE wants the submitted MM to be saved in the user's MMBox, in addition to sending it. Sent by the target to have the forwarded MM stored. The values given in OMA-TS-MMS_ENC [39] clause 7.3.56 shall be encoded as follows: "Yes" = True, "No" = False. Include if sent to the MMS Proxy-Relay.	C
state	Identifies the value of the MM State associated with a MM to be stored or stored MM. Sets the state for the forwarded MM when it is stored. As defined in OMA-TS-MMS_ENC [39] clause 7.3.33. Include if sent to the MMS Proxy-Relay.	C

flags	Identifies a keyword to add or remove from the list of keywords associated with a stored MM. Include if sent to the MMS Proxy-relay. See OMA-TS-MMS_ENC [39] clause 7.3.32.	C
contentLocationReq	The content-location-value field defines the URL for the MMS server location of the content to be retrieved as it appears in the m-forward-req. As defined in OMA-TS-MMS_ENC [39] clause 7.3.10.	M
replyCharging	If this field is present its value is set to "accepted" or "accepted text only" and the MMS-version-value is higher than 1.0, this header field will indicate that a reply to this particular MM is free of charge for the recipient. If the Reply-Charging service is offered and the request for reply-charging has been accepted by the MMS service provider the value of this header field SHALL be set to "accepted" or "accepted text only". See OMA-TS-MMS_ENC [39] clause 7.3.43. Include if sent to the MMS Proxy-Relay.	C
responseStatus	MMS specific status. See OMA-TS-MMS_ENC [39] clause 7.3.48.	M
responseStatusText	Text that qualifies the Response Status. Include if sent to the target. As defined in OMA-TS-MMS_ENC [39] clause 7.3.49. Include if sent by the MMS Proxy-Relay.	C
messageID	An ID assigned by the MMS Proxy-Relay to uniquely identify an MM. As defined in OMA-TS-MMS_ENC [39] clause 7.3.29. Include if sent by the MMS Proxy-Relay.	C
contentLocationConf	The <i>content-location-value</i> field defines the URL for the MMS server location of the MM as it appears in the <i>m-forward-conf</i> . As defined in OMA-TS-MMS_ENC [39] clause 7.3.10. Include if sent by the MMS Proxy-Relay.	C
storeStatus	Indicates if the MM was successfully stored in the MMBox. Include if sent by the MMS Proxy-Relay.	C
storeStatusText	Text that qualifies the Store Status. As defined in OMA-TS-MMS_ENC [39] clause 7.3.59. Include if sent by the MMS Proxy-Relay.	C

7.4.3.9 MMSDeleteFromRelay

The IRI-POI present in the MMS Proxy-Relay shall generate an xIRI containing an MMSDeleteFromRelay record when the MMS Proxy-Relay sends a *m-delete-conf* (defined in OMA-TS-MMS_ENC [39]) to the MMS client in the target UE.

Table 7.4.3-9 contains parameters generated by the IRI-POI, along with parameters derived from the *m-delete-req* message (from the local target UE to the MMS Proxy-Relay), and the *m-delete-conf* message (from the MMS Proxy-Relay to the local target UE).

Table 7.4.3-9: Payload for MMSDeleteFromRelay

Field name	Description	M/C/O
transactionID	An ID used to correlate an MMS request and response between the target and the MMS Proxy-Relay.	M
version	The version of MM, to include major and minor version.	M
direction	Indicates the direction of the MM. This shall be encoded as "to target," or "fromTarget," as appropriate.	M
contentLocationReq	The <i>content-location-value</i> field defines the URL for the MMS server location of the MM as it appears in the <i>m-delete-conf</i> , as defined in OMA-TS-MMS_ENC [39] clause 7.3.10. Include if sent to the MMS Proxy-Relay.	M
contentLocationConf	The <i>content-location-value</i> field defines the URL for the MMS server location of the MM as it appears in the <i>m-delete-conf</i> , as defined in OMA-TS-MMS_ENC [39] clause 7.3.10. Include if sent by the MMS Proxy-Relay.	C
deleteResponseStatus	The delete response, as defined in OMA-TS-MMS_ENC [39] clause 7.3.48.	M
deleteResponseText	The delete response, as defined in OMA-TS-MMS_ENC [39] clause 7.3.49. Include if sent by the MMS Proxy-Relay.	C

7.4.3.10 MMSMBoxStore

The IRI-POI in the MMS Proxy-Relay shall generate an xIRI containing an MMSMBoxStore record when the MMS Proxy-Relay sends a *m-mbox-store-conf* (defined in OMA-TS-MMS_ENC [39] clause 6.8) to the MMS client in the target UE.

Table 7.4.3-10 contains parameters generated by the IRI-POI, along with parameters derived from the *m-mbox-store-req* message (from the local target UE to the MMS Proxy-Relay), and from the *m-mbox-store-conf* message (from the MMS Proxy-Relay to the local target UE).

Table 7.4.3-10: Payload for MMSMBoxStore

Field name	Description	M/C/O
transactionID	An ID used to correlate an MMS request and response between the target and the MMS Proxy-Relay. As defined in OMA-TS-MMS_ENC [39] clause 7.3.63.	M
version	The version of MM, to include major and minor version.	M
direction	Indicates the direction of the MM. This shall be encoded as "to target."	M
contentLocationReq	The <i>content-location-value</i> field defines the URL for the MMS server location of the MM as it appears in the <i>m-mbox-store-req</i> . As defined in OMA-TS-MMS_ENC [39] clause 7.3.10. Include if sent by the MMS Proxy-Relay.	M
state	Identifies the value of the MM State associated with a MM to be stored or stored MM. Sets the state for the forwarded MM when it is stored. As defined in OMA-TS-MMS_ENC [39] clause 7.3.33. Include if sent by the MMS Proxy-Relay.	C
flags	Identifies a keyword to add or remove from the list of keywords associated with a stored MM. See OMA-TS-MMS_ENC [39] clause 7.3.32. Include if sent by the MMS Proxy-Relay.	C
contentLocationConf	The <i>content-location-value</i> field defines the URL for the MMS server location of the MM as it appears in the <i>m-mbox-store-conf</i> . As defined in OMA-TS-MMS_ENC [39] clause 7.3.10. Include if sent by the MMS Proxy-Relay.	C
storeStatus	Indicates if the MM was successfully stored in the MMSBox.	M
storeStatusText	Text that qualifies the Store Status. Include if sent to the target. As defined in OMA-TS-MMS_ENC [39] clause 7.3.59. Include if sent by the MMS Proxy-Relay.	C

7.4.3.11 MMSMBoxUpload

The IRI-POI present in the MMS Proxy-Relay shall generate an xIRI containing an MMSMBoxUpload record when the MMS Proxy-Relay sends a *m-mbox-upload-conf* (defined in OMA-TS-MMS_ENC [39] clause 6.10) to the MMS client in the target UE.

Table 7.4.3-11 contains parameters generated by the IRI-POI, along with parameters derived from the *m-mbox-upload-req* message (from the local target UE to the MMS Proxy-Relay), and from the *m-mbox-upload-conf* message (from the MMS Proxy-Relay to the local target UE).

Table 7.4.3-11: Payload for MMSBoxUpload

Field name	Description	M/C/O
transactionID	An ID used to correlate an MMS request and response between the target and the MMS Proxy-Relay. As defined in OMA-TS-MMS_ENC [39] clause 7.3.63.	M
version	The version of MM, to include major and minor version.	M
direction	Indicates the direction of the MM. This shall be encoded as "to target," or "fromTarget," as appropriate.	M
state	Identifies the value of the MM State associated with a MM to be stored or stored MM. Sets the state for the forwarded MM when it is stored. As defined in OMA-TS-MMS_ENC [39] clause 7.3.33. Include if sent by the MMS Proxy-Relay.	C
flags	Identifies a keyword to add or remove from the list of keywords associated with a stored MM. See OMA-TS-MMS_ENC [39] clause 7.3.32. Include if sent by the MMS Proxy-Relay.	C
contentType	The content type of the MM. See OMA-TS-MMS_ENC [39] clause 7.3.11	M
contentLocation	The <i>content-location-value</i> field defines the URL for the MMS server location of the MM. As defined in OMA-TS-MMS_ENC [39] clause 7.3.10. Include if sent by the MMS Proxy-Relay.	C
storeStatus	Indicates if the MM was successfully stored in the MMSBox.	M
storeStatusText	Text that qualifies the Store Status. Include if sent to the target. As defined in OMA-TS-MMS_ENC [39] clause 7.3.59. Include if sent by the MMS Proxy-Relay.	C
mMMSBoxDescription	The MMSBox description PDU as defined in 7.4.3.20 corresponds to the particular MM. include if sent by the MMS Proxy-Relay.	C

7.4.3.12 MMSBoxDelete

The IRI-POI present in the MMS Proxy-Relay shall generate an xIRI containing an MMSBoxDelete record when the MMS Proxy-Relay sends a *m-mbox-delete.conf* (defined in OMA-TS-MMS_ENC [39]) to the MMS client in the target UE.

Table 7.4.3-12 contains parameters generated by the IRI-POI, along with parameters derived from the *m-mbox-delete-req* message (from the local target UE to the MMS Proxy-Relay), and from the *m-mbox-delete.conf* message (from the MMS Proxy-Relay to the local target UE).

Table 7.4.3-12: Payload for MMSBoxDelete

Field name	Description	M/C/O
transactionID	An ID used to correlate an MMS request and response between the target and the MMS Proxy-Relay. As defined in OMA-TS-MMS_ENC [39] clause 7.3.63.	M
version	The version of MM, to include major and minor version.	M
direction	Indicates the direction of the MM. This shall be encoded as "to target," or "fromTarget," as appropriate.	M
contentLocationReq	The <i>content-location-value</i> field defines the URL for the MMS server location of the MM as it appears in the <i>m-mbox-delete-req</i> . As defined in OMA-TS-MMS_ENC [39] clause 7.3.10.	M
contentLocationConf	The <i>content-location-value</i> field defines the URL for the MMS server location of the MM as it appears in the <i>m-mbox-delete.conf</i> . As defined in OMA-TS-MMS_ENC [39] clause 7.3.10. Include if sent by the MMS Proxy-Relay.	C
responseStatus	MMS specific status.	M
responseStatusText	Text that qualifies the Response Status. As defined in OMA-TS-MMS_ENC [39] clause 7.3.49.	C

7.4.3.13 MMSDeliveryReport

The IRI-POI present in the MMS Proxy-Relay shall generate an xIRI containing an MMSDeliveryReport record when the MMS Proxy-Relay sends an *m-delivery-ind* (as defined in OMA-TS-MMS_ENC [39] clause 6.11) to the MMS client in the target UE.

Table 7.4.3-13 contains parameters generated by the IRI-POI, along with parameters derived from the *m-delivery-ind* message (from the MMS Proxy-Relay to the local target UE).

Table 7.4.3-13: Payload for MMSDeliveryReport

Field name	Description	M/C/O
version	The version of MM, to include major and minor version.	M
messageID	An ID assigned by the MMS Proxy-Relay to uniquely identify an MM. As defined in OMA-TS-MMS_ENC [39] clause 7.3.29. Include if sent by the MMS Proxy-Relay.	M
terminatingMMSParty	ID(s) of the terminating party of the original message this Delivery Report refers to, in one or more of the formats described in 7.4.2.1 When address translation occurs (such as the case of a token sent by the client and replaced with a proper address by the MMS Proxy-Relay), both the pre and post translated addresses (with appropriate correlation) are included.	M
dateTime	Date and Time when the MM was last handled (either originated or forwarded). Include if sent by the MMS Proxy-Relay.	M
responseStatus	MMS specific status.	M
responseStatusText	Text that qualifies the Response Status. As defined in OMA-TS-MMS_ENC [39] clause 7.3.49. Include if sent by the MMS Proxy-Relay.	C
applicID	Identification of the originating application of the original MM. Sent by the target to identify the destination application as defined in OMA-TS-MMS_ENC [39] clause 7.3.2. Include if sent by the MMS Proxy-Relay.	C
replyApplicID	Identification of an application to which replies, delivery reports, and read reports are addressed. Sent by the target to identify the application to which replies, delivery reports, and read reports are addressed as defined in OMA-TS-MMS_ENC [39] clause 7.3.42. Include if sent by the MMS Proxy-Relay.	C
auxApplicInfo	Auxiliary application addressing information as indicated in the original MM. As defined in OMA-TS-MMS_ENC [39] clause 7.3.4. Include if sent by the MMS Proxy-Relay.	C

7.4.3.14 MMSDeliveryReportNonLocalTarget

The IRI-POI in the MMS Proxy-Relay shall generate an xIRI containing an MMSDeliveryReportNonLocalTarget record when the MMS Proxy-Relay:

- sends MM4_delivery_report.REQ (as defined in TS 23.140 [40] clause 8.4.2), that contains a non-local target ID, to the non-local MMS Proxy-Relay, or
- receives MM4_delivery_report.REQ, that contains a non-local target ID, from the non-local MMS Proxy-Relay.

Table 7.4.3-14 contains parameters generated by the IRI-POI, along with parameters derived from the *MM4_delivery_report.REQ* message (from the local MMS Proxy-Relay to the non-local MMS Proxy-Relay, or inversely).

Table 7.4.3-14: Payload for MMSDeliveryReportNonLocalTarget

Field name	Description	M/C/O
version	The version of MM, to include major and minor version.	M
transactionID	An ID used to correlate an MMS request and response between the proxies. As defined in TS 23.140 [40] clause 8.4.1.4.	M
messageID	An ID assigned by the MMS Proxy-Relay to uniquely identify an MM. As defined in TS 23.140 [40] clause 8.4.1.4.	M
terminatingMMSParty	ID(s) of the terminating party of the original message this Delivery Report refers to, in one or more of the formats described in 7.4.2.1.	M
originatingMMSParty	ID(s) of the originating party of the original message this Delivery Report refers to, in one or more of the formats described in 7.4.2.1.	M
direction	Indicates the direction of the MM. This shall be encoded as "toTarget," or "from target," as appropriate.	M
dateTime	Date and Time when the MM was last handled (either originated or forwarded).	M
forwardToOriginator	Indicates whether the MMS Proxy-Relay is allowed to forward the delivery report to the originating UE. "Yes" is coded as True, and "No" is coded as False. Include if sent to/by the MMS Proxy-Relay.	C
mMStatus	Provides a MM status. A status of "retrieved" is only signalled by the retrieving UE after retrieval of the MM.	M
mMStatusExtension	Extension of the MMStatus, that provides more granularity. Include if sent to/by the MMS Proxy-Relay.	C
mMStatusText	Text that qualifies the MM Status. As defined in OMA-TS-MMS_ENC [39] clause 7.3.55. Include if sent to/by the MMS Proxy-Relay.	C
applicID	Identification of the originating application of the original MM. Identifies the destination application as defined in TS 23.140 [40] clause 8.4.1.4. Include if sent to/by the MMS Proxy-Relay.	C
replyApplicID	Identification of an application to which replies, delivery reports, and read reports are addressed. Identifies the application to which replies, delivery reports, and read reports are addressed as defined in TS 23.140 [40] clause 8.4.1.4. Include if sent to/by the MMS Proxy-Relay.	C
auxApplicInfo	Auxiliary application addressing information as indicated in the original MM. As defined in OMA-TS-MMS_ENC [39] clause 7.3.4. Include if sent to/by the MMS Proxy-Relay.	C

7.4.3.15 MMSReadReport

The IRI-POI present in the MMS Proxy-Relay shall generate an xIRI containing an MMSReadReport record when the MMS Proxy-Relay:

- sends a *m-read-orig-ind* (as defined in OMA-TS-MMS_ENC [39] clause 6.7.2) to the MMS client in the target UE, or
- receives a *m-read-rec-ind* (as defined in OMA-TS-MMS_ENC [39] clause 6.7.2) from the MMS client in the target UE.

Table 7.4.3-15 contains parameters generated by the IRI-POI, along with parameters derived from the *m-read-orig-ind* message (from the MMS Proxy-Relay to the local target UE), and from the *m-read-rec-ind* message (from the local target UE to the MMS Proxy-Relay).

Table 7.4.3-15: Payload for MMSReadReport

Field name	Description	M/C/O
version	The version of MM, to include major and minor version.	M
messageID	An ID assigned by the MMS Proxy-Relay to uniquely identify an MM. As defined in OMA-TS-MMS_ENC [39] clause 7.3.29.	M
terminatingMMSParty	ID(s) of the terminating party (i.e. the intended recipient of the read report or the originator of the initial MM message to which the read report applies) in one or more of the formats described in clause 7.4.2.1. When address translation occurs (such as the case of a token sent by the client and replaced with a proper address by the MMS Proxy-Relay), both the pre and post translated addresses (with appropriate correlation) are included.	M
originatingMMSParty	ID(s) of the originating party (i.e. the originator of the read report or the recipient the initial MM message to which the read report applies) in one or more of the formats described in clause 7.4.2.1. When address translation occurs (such as the case of a token sent by the client and replaced with a proper address by the MMS Proxy-Relay), both the pre and post translated addresses (with appropriate correlation) are included.	M
direction	Indicates the direction of the original MM (not of this message). This shall be encoded either as "from target," or "to target," as appropriate.	M
dateTime	Date and Time when the MM was last handled (either originated or forwarded). Include if sent to/by the MMS Proxy-Relay.	C
readStatus	Status of the MMS (e.g. read or deleted without reading).	M
applicID	Identification of the originating application of the original MM. As defined in OMA-TS-MMS_ENC [39] clause 7.3.2. Include if sent to/by the MMS Proxy-Relay.	C
replyApplicID	Identification of an application to which replies, delivery reports, and read reports are addressed. As defined in OMA-TS-MMS_ENC [39] clause 7.3.42. Include if sent to/by the MMS Proxy-Relay.	C
auxApplicInfo	Auxiliary application addressing information as indicated in the original MM. As defined in OMA-TS-MMS_ENC [39] clause 7.3.4. Include if sent to/by the MMS Proxy-Relay.	C

7.4.3.16 MMSReadReportNonLocalTarget

The IRI-POI present in the MMS Proxy-Relay shall generate an xIRI containing an MMSReadReportNonLocalTarget record when the MMS Proxy-Relay:

- sends a MM4_read_reply_report.REQ (as defined in TS 23.140 [40] clause 8.4.3), that contains a non-local target ID, to the non-local MMS Proxy-Relay, or
- receives a MM4_read_reply_report.REQ (as defined in TS 23.140 [40] clause 8.4.3), that contains a non-local target ID, from the non-local MMS Proxy-Relay.

Table 7.4.3-16 contains parameters generated by the IRI-POI, along with parameters derived from the **MM4_read_reply_report.REQ** message (from the local MMS Proxy-Relay to the non-local MMS Proxy-Relay, or inversely).

Table 7.4.3-16: Payload for MMSReadReportNonLocalTarget

Field name	Description	M/C/O
version	The version of MM, to include major and minor version.	M
transactionID	An ID used to correlate an MMS request and response between the proxies. As defined in TS 23.140 [40] clause 8.4.1.4.	M
terminatingMMSParty	ID(s) of the terminating party in one or more of the formats described in clause 7.4.2.1. When address translation occurs (such as the case of a token sent by the client and replaced with a proper address by the MMS Proxy-Relay), both the pre and post translated addresses (with appropriate correlation) are included.	M
originatingMMSParty	ID(s) of the originating party in one or more of the formats described in clause 7.4.2.1. When address translation occurs (such as the case of a token sent by the client and replaced with a proper address by the MMS Proxy-Relay), both the pre and post translated addresses (with appropriate correlation) are included.	M
direction	Indicates the direction of the original MM (not of this message). This shall be encoded either as "from target" = True, or "to target" = False.	M
messageID	An ID assigned by the MMS Proxy-Relay to uniquely identify an MM. As defined in TS 23.140 [40] clause 8.4.1.4.	M
dateTime	Date and Time when the MM was last handled (either originated or forwarded).	M
readStatus	Status of the MMS (e.g. read or deleted without reading).	M
readStatusText	Text explanation corresponding to the Read Status. Include if sent to/by the MMS Proxy-Relay.	C
applicID	Identification of the originating application of the original MM. Identifies the destination application as defined in TS 23.140 [40] clause 8.4.1.4. Include if sent to/by the MMS Proxy-Relay.	C
replyApplicID	Identification of an application to which replies, delivery reports, and read reports are addressed. Identifies the application to which replies, delivery reports, and read reports are addressed, as defined in TS 23.140 [40] clause 8.4.1.4. Include if sent to/by the MMS Proxy-Relay.	C
auxApplicInfo	Auxiliary application addressing information as indicated in the original MM. As defined in OMA-TS-MMS_ENC [39] clause 7.3.4. Include if sent to/by the MMS Proxy-Relay.	C

7.4.3.17 MMSCancel

The IRI-POI present in the MMS Proxy-Relay shall generate an xIRI containing an MMSCancel record when the MMS Proxy-Relay sends a *m-cancel-req* (as defined in OMA-TS-MMS_ENC [39] clause 6.13) to the MMS client in the target UE.

Table 7.4.3-17 contains parameters generated by the IRI-POI, along with parameters derived from the *m-cancel-req* message (from the MMS Proxy-Relay to the local target UE).

Table 7.4.3-17: Payload for MMSCancel

Field name	Description	M/C/O
transactionID	An ID used to correlate an MMS request and response between the target and the MMS Proxy-Relay. As defined in OMA-TS-MMS_ENC [39] clause 7.3.63.	M
version	The version of MM, to include major and minor version.	M
cancelID	This field includes the Message ID identifying the message to be cancelled. As defined in OMA-TS-MMS_ENC [39] clause 7.3.6.	M
direction	Indicates the direction of the original MM. This shall be encoded as "to target."	M

7.4.3.18 MMSMBoxViewRequest

The IRI-POI present in the MMS Proxy-Relay shall generate an xIRI containing an MMSViewRequest record when the MMS Proxy-Relay receives a *m-mbox-view-req* (as defined in OMA-TS-MMS_ENC [39] clause 6.9) from the MMS client in the target UE.

Table 7.4.3-18 contains parameters generated by the IRI-POI, along with parameters derived from the *m-mbox-view-req* message (from the local target UE to the MMS Proxy-Relay).

Table 7.4.3-18: Payload for MMSMBoxViewRequest

Field name	Description	M/C/O
transactionID	An ID used to correlate an MMS request and response between the target and the MMS Proxy-Relay. As defined in OMA-TS-MMS_ENC [39] clause 7.3.63.	M
version	The version of MM, to include major and minor version.	M
contentLocation	The <i>content-location-value</i> field defines the URL for the MMS Proxy-Relay location of the content to be retrieved. As defined in OMA-TS-MMS_ENC [39] clause 7.3.10. Include if sent to the MMS Proxy-Relay.	C
state	Specifies a MM State value to use in selecting the messages to return. As defined in OMA-TS-MMS_ENC [39] clause 7.3.33. Include if sent to the MMS Proxy-Relay.	C
flags	Specifies a MM Flags keyword to use in selecting the messages to return in the response. See OMA-TS-MMS_ENC [39] clause 7.3.32. Include if sent to the MMS Proxy-Relay.	C
start	A number, indicating the index of the first MM of those selected to have information returned in the response. Include if sent to the MMS Proxy-Relay.	C
limit	A number indicating the maximum number of selected MMs whose information are to be returned in the response. If this is absent, information elements from all remaining MMs are to be returned. If this is zero, then no MM-related information are to be returned. Include if sent to the MMS Proxy-Relay.	C
mMSAttributes	A list of information elements that should appear in the view for each selected message. Include if sent to the MMS Proxy-Relay.	C
mMSTotals	Indicates a request for or the actual count of messages currently stored in the MMSBox. The values given in OMA-TS-MMS_ENC [39] clause 7.3.62. shall be encoded as follows: "Yes" = True, "No" = False. Include if sent to the MMS Proxy-Relay.	C
mMSQuotas	Indicates a request for or the actual quotas for the user's MMSBox in messages or bytes. The values given in OMA-TS-MMS_ENC [39] clause 7.3.36. shall be encoded as follows: "Yes" = True, "No" = False. Include if sent to the MMS Proxy-Relay.	C

7.4.3.19 MMSMBoxViewResponse

The IRI-POI present in the MMS Proxy-Relay shall generate an xIRI containing an MMSViewConfirm record when the MMS Proxy-Relay sends a *m-mbox-view.conf* (as defined in OMA-TS-MMS_ENC [39] clause 6.9) to the MMS client in the target UE.

Table 7.4.3-19 contains parameters generated by the IRI-POI, along with parameters derived from the *m-mbox-view.conf* message (from the local target UE to the MMS Proxy-Relay).

Table 7.4.3-19: Payload for MMSMBoxViewResponse

Field name	Description	M/C/O
version	The version of MM, to include major and minor version.	M
responseStatus	MMS specific status.	M
responseStatusText	Text that qualifies the Response Status. As defined in OMA-TS-MMS_ENC [39] clause 7.3.49.	C
contentLocation	The <i>content-location-value</i> field defines the URL for the MMS server location of the content to be retrieved. As defined in OMA-TS-MMS_ENC [39] clause 7.3.10. Include if sent by the MMS Proxy-Relay.	C
state	Specifies a MM State value to use in selecting the messages to return. As defined in OMA-TS-MMS_ENC [39] clause 7.3.33. Include if sent by the MMS Proxy-Relay.	C
flags	Specifies a MM Flags keyword to use in selecting the messages to return in the response. See OMA-TS-MMS_ENC [39] clause 7.3.32. Include if sent by the MMS Proxy-Relay.	C
start	A number, indicating the index of the first MM of those selected to have information returned in the response. Include if sent by the MMS Proxy-Relay.	C
limit	A number indicating the maximum number of selected MMs whose information are to be returned in the response. If this is absent, information elements from all remaining MMs are to be returned. If this is zero then no MM-related information are to be returned. Include if sent by the MMS Proxy-Relay.	C
mMSAttributes	A list of information elements that should appear in the view for each selected message. Include if sent by the MMS Proxy-Relay.	C
mMSTotals	Indicates a request for or the actual count of messages currently stored in the MMSBox. The values given in OMA-TS-MMS_ENC [39] clause 7.3.62. shall be encoded as follows: "Yes" = True, "No" = False. Include if sent by the MMS Proxy-Relay.	C
mMSQuotas	Indicates a request for or the actual quotas for the user's MMSBox in messages or bytes. The values given in OMA-TS-MMS_ENC [39] clause 7.3.36. shall be encoded as follows: "Yes" = True, "No" = False. Include if sent by the MMS Proxy-Relay.	C
mMBoxDescription	The MMSBox description PDU as defined in 7.4.3.20 corresponds to the particular MM.	M

7.4.3.20 MMSBoxDescription

The MMSBoxDescription used in MMSMBoxViewResponse and MMSMBoxUpload records is defined in table 7.4.3-20.

Table 7.4.3-20: Payload for MMBoxDescription

Field name	Description	M/C/O
contentLocation	The <i>content-location-value</i> field defines the URL for the MMS Proxy-relay location of the content to be retrieved. As defined in OMA-TS-MMS_ENC [39] clause 7.3.10. Include if sent by the MMS Proxy-Relay.	C
messageID	An ID assigned by the MMS Proxy-Relay to uniquely identify an MM. Included unconditionally for the MMS View Confirm report and is included for the MMS Upload report if a Message ID was previously assigned to the MM. In this latter case, if a Message ID was not previously assigned, this parameter is excluded. As defined in OMA-TS-MMS_ENC [39] clause 7.3.29. Include if sent by the MMS Proxy-Relay.	C
state	Identifies the value of the MM State associated with a MM to be stored or stored MM. Include for the MMS View Confirm. Include for the MMS View Request if provided by the target. As defined in OMA-TS-MMS_ENC [39] clause 7.3.33. Include if sent by the MMS Proxy-Relay.	C
flags	Identifies a keyword to add or remove from the list of keywords associated with a stored MM. This parameter may convey all the keywords associated with the MM. Include if at least one keyword is associated with the MM. If no keywords are associated with the MM, then this parameter may be excluded. Include if sent by the MMS Proxy-Relay.	C
dateTime	Date and Time when the MM request was detected. Include if sent by the MMS Proxy-Relay.	C
originatingMMSParty	ID(s) of the originating party in one or more of the formats described in clause 7.4.2.1. When address translation occurs (such as the case of a token sent by the client and replaced with a proper address by the MMS Proxy-Relay), both the pre and post translated addresses (with appropriate correlation) are included. Include if sent by the MMS Proxy-Relay.	C
terminatingMMSParty	ID(s) of the terminating party in one or more of the formats described in clause 7.4.2.1. When address translation occurs (such as the case of a token sent by the client and replaced with a proper address by the MMS Proxy-Relay), both the pre and post translated addresses (with appropriate correlation) are included. Include if sent by the MMS Proxy-Relay.	C
cCRecipients	Address of a recipient; the "CC" field may include addresses of multiple recipients. When address translation occurs, both the pre and post translated addresses (with appropriate correlation) are included. This parameter is included if the corresponding MM includes a "CC" field. Include if sent by the MMS Proxy-Relay.	C
bCCRecipients	Address of a recipient; the "BCC" field may include addresses of multiple recipients. When address translation occurs, both the pre and post translated addresses (with appropriate correlation) are included. This parameter is included if the corresponding MM includes a "BCC" field. Include if sent by the MMS Proxy-Relay.	C
messageClass	Class of the MM. For example, a value of "auto" is automatically generated by the UE. If the field is not present, the class should be interpreted as "personal". Include if sent by the MMS Proxy-Relay.	C
subject	The subject of the MM. Include if sent by the MMS Proxy-Relay.	C
priority	Priority of the MM assigned by the originator MMS Client. Reported if sent by the target. Include if sent by the MMS Proxy-Relay.	C
deliveryTime	Date and Time of delivery. Include if sent by the MMS Proxy-Relay.	C

readReport	Specifies whether the originator MMS UE requests a read report from each recipient. The values given in OMA-TS-MMS_ENC [39] clause 7.3.37. shall be encoded as follows: "Yes" = True, "No" = False. Include if sent by the MMS Proxy-Relay.	C
messageSize	Specifies the size of the MM that was viewed or uploaded. Specified in bytes. Include if sent by the MMS Proxy-Relay.	C
replyCharging	If this field is present its value is set to "accepted" or "accepted text only" and the MMS-version-value of the M-Notification.ind PDU is higher than 1.0, this header field will indicate that a reply to this particular MM is free of charge for the recipient. If the Reply-Charging service is offered and the request for reply-charging has been accepted by the MMS service provider the value of this header field SHALL be set to "accepted" or "accepted text only". See OMA-TS-MMS_ENC [39] clause 7.3.43. Include if sent by the MMS Proxy-Relay.	C
previouslySentBy	Address of the MMS Client that forwarded or previously sent the message. along with a sequence number and timestamp. A higher sequence number indicates a forwarding event at a later point in time. The sequence number indicates the correspondence to the MMS Client's address in the "X-Mms-Previously- Sent-By" header field with the same sequence number. This header field MAY appear multiple times. Include if sent by the MMS Proxy-Relay.	C
previouslySentByDateTime	Date/Time MM was previously sent. This header field MAY appear multiple times. Include if sent by the MMS Proxy-Relay.	C
contentType	The content type of the MM. Include if sent by the MMS Proxy-Relay.	C

7.4.3.21 MMS Content

If content delivery is authorized, the CC-POI in the MMS Proxy-Relay shall generate an xCC as per clause 7.4.2.3 when any of the events in clauses 7.4.3.1 through 7.4.3.19 are detected.

7.4.4 IRI and CC Generation

7.4.4.1 Generation of IRI over LI_HI2

When an IRI-POI in the MMS Proxy-Relay generated xIRI is received over LI_X2, the MDF2 shall send an xIRI over LI_HI2 without undue delay. The xIRI shall contain a copy of the record received over LI_X2. The record may be enriched by other information available at the MDF (e.g. additional location information).

The *@LI-PS-PDU.payload.iRIPayloadSequence.iRIContents.threeGPP33128DefinedIRI* field of the LI_HI2 message shall be populated with the BER-encoded *IRIPayload* as described in ETSI TS 102 232-7 [10] clause 15.

The ETSI TS 102 232-1 [9] *@LI-PS-PDU.pSHeader.timeStamp* field shall be set to the time that the MMS event was observed (i.e. the timestamp field of the xIRI). The LIID and CID fields shall correctly reflect the target identity and communication session to which the IRI belongs.

7.4.4.2 Generation of CC over LI_HI3

When a CC-POI in the MMS Proxy-Relay generated xCC message is received over LI_X3, the MDF3 shall send a CC message over LI_HI3 without undue delay. The CC message shall contain a copy of the MMS received over LI_X3. The record may be enriched with other information available at the MDF.

7.4.5 Redaction of unauthorised information from encapsulated messages

7.4.5.1 General

The details on the removal of unauthorised information from encapsulated messages are detailed in the following clauses.

7.4.5.2 SMS Redaction

7.4.5.2.1 3GPP SMS Redaction

When the removal of the short message (SM) portion of a 3GPP SMS message is required, the SM portion of the TP-User-Data (TS 23.040 [18] clause 9.2.3.24) shall be replaced by the equivalent of "Space" in the original encoding for the total length of the SM portion as determined by the TP-User-Data-Length field (TS 23.040 [18] clause 9.2.3.16), and accounting for the Length of the User Data Header (UDHL) field (TS 23.040 [18] clause 9.2.3.24) if the latter is present as indicated by the TP-User-Data-Header-Indicator field (TS 23.040 [18] clause 9.2.3.23). While replacing the SM data, the Data Coding Scheme (TS 23.038 [123] clause 4) shall be considered.

If the TP-User-Data-Header-Indicator indicates the TP-User-Data Header is present, the Header shall be rewritten so that each of the Information Elements that are not classified as "SMS Control" in TS 23.040 [18] clause 9.2.3.24 shall be converted to a Filler Information Element per TS 23.040 [18] clause 9.2.3.24.17.

In any case, the overall length of the TP-User-Data, and if present, the overall length of the TP-User-Data Header, shall not be changed.

7.4.5.2.2 3GPP2 SMS Redaction

When the removal of the User Data portion of a 3GPP2 SMS message is required, the CHARi portion of the User Data sub-parameter (3GPP2 C.S0015-A [134] clause 4.5.2) shall be replaced by the equivalent of "Space" in the original encoding for the total length of the CHARi portion as determined by the NUM_FIELDS field (3GPP2 C.S0015-A [134] clause 4.5.2).

If the HEADER_IND identifier (3GPP2 C.S0015-A [134] clause 4.5.1) is set to indicate that a header is contained in the User Data sub-parameter, the Header shall be rewritten using the same method as the TP-User-Data-Header as described in clause 7.4.5.2.1.

7.5 PTC service

7.5.1 Introduction

The Stage 3 intercept capabilities defined in this clause for the Push to Talk over Cellular (PTC) service apply when supported by a CSP. The term PTC represents either a Push to Talk over Cellular (PoC) or Mission Critical Push to Talk (MCPTT) type service. The use of the term PTC server represents either a MCPTT function or PoC server.

7.5.1.1 Provisioning over LI_X1

The IRI-POI present in the PTC server is provisioned over LI_X1 by the LIPF using the X1 protocol as described in clause 5.2.2 of the present document.

The POI in the PTC Server shall support the identifier types given in table 7.5.1-1.

Table 7.5.1-1: TargetIdentifier Types for PTC service

Identifier	Owner	ETSI TS 103 221-1 [7] TargetIdentifier type	Definition
iMPU	ETSI	IMPU	See ETSI TS 103 221-1 [7]
iMPI	ETSI	IMPI	See ETSI TS 103 221-1 [7]
mCPTTID	ETSI	TargetIdentifierExtension	See XSD schema
instanceIdentifierURN	3GPP	TargetIdentifierExtension	See XSD schema
pTCChatGroupID	3GPP	TargetIdentifierExtension	See XSD schema

7.5.1.2 Generating xIRI over LI_X2

The IRI-POI present in the PTC server shall send xIRI over LI_X2 for each of the events listed in TS 33.127 [5] clause 7.6.3, each of which is described in the following clauses. The IRI events are based on the use of 3GPP MCPTT

features as defined in TS 24.379 [55] and OMA PoC features as defined in OMA-TS-PoC_System_Description-V2_1-20110802-A [56].

7.5.1.3 Generation of xCC over LI_X3

The CC-POI present in the PTC server shall send xCC over LI_X3.

The CC-POI shall set the payload format to indicate the appropriate payload type (5 for IPv4 Packet, 6 for IPv6 Packet) per clause 6.2.3.6 of the present document.

7.5.2 IRI events

7.5.2.1 PTC registration

The IRI-POI present in the PTC server shall generate an xIRI containing a PTCRegistration record when the IRI-POI present in the PTC server detects that a PTC target matching one of the PTC target identifiers, referenced in clause 7.5.1.1, provided via LI_X1 has registered, re-registered, or de-registered for PTC services, regardless of whether it is successful or unsuccessful. Accordingly, the IRI-POI in the PTC server generates the xIRI when the following event is detected:

- when the PTC server receives a SIP REGISTER from a PTC target.

Table 7.5.2-1: Payload for PTCRegistration record

Field name	Description	M/C/O
pTCTargetInformation	Provide PTC target identity. At least one among MCPTT ID, IMPU, IMPI, InstanceIdentifierURN and PTCChatGroupID shall be provided for PTCtargetInformation.	M
pTCServerURI	Shall include the identity of the PTC server serving the PTC target.	M
pTCRegistrationRequest	Identifies the type of registration request (register, re-register, or de-register).	M
pTCRegistrationOutcome	Identifies success or failure of the registration.	M

7.5.2.2 PTC session initiation

The IRI-POI present in the PTC server shall generate an xIRI containing a PTCSessionInitiation record when the IRI-POI present in the PTC server detects that the PTC target initiates an on-demand session or the target receives an invitation to join an on-demand session regardless of the success or the final disposition of the invitation. The PTCSessionInitiation record shall also be reported when a chat group is the PTC target. Accordingly, the IRI-POI in the PTC server generates the xIRI when the following events are detected:

- when the PTC server receives a SIP INVITE from a PTC target.
- when the PTC Server sends a SIP INVITE to the PTC target.
- when the PTC Server hosting a PTC chat group session, where the PTC chat group is the target, receives a SIP INVITE from a participating PTC server to initiate a PTC chat group session.

Table 7.5.2-2: Payload for PTCSessionInitiation record

Field name	Description	M/C/O
pTCTargetInformation	Provide PTC target identity. At least one among MCPTT ID, IMPU, IMPI, InstanceIdentifierURN and PTCChatGroupID shall be provided for PTCtargetInformation.	M
pTCDirection	Indicates the direction of the session relative to the target: "toTarget" or "fromTarget."	M
pTCServerURI	Shall include the identity of the PTC server serving the PTC target.	M
pTCSessionInfo	Shall provide PTC session information such as PTC Session URI and PTC Session type (e.g. on-demand, pre-established, ad-hoc, pre-arranged, group session).	M
pTCOriginatingID	Shall identify the originating party.	M
pTCParticipants	Shall identify the individual PTC participants of the communication session, if known.	C
pTCParticipantPresenceStatus	Shall provide the Participant Presence Status, which is a list of: <ul style="list-style-type: none"> - <i>PresenceID</i>: Identity of PTC client(s) or PTC group, when known. - <i>PresenceType</i>: Identifies type of ID [PTC client(s) or PTC group]. - <i>PresenceStatus</i>: Presence state of each ID. True indicates PTC client is available, while false indicates PTC client is unavailable. Report when the Presence functionality is supported by the PTC server and the PTC server assumes the role of the watcher on behalf of the PTC target or in the case of a target PTC chat group, when the PTC server assumes the role of the watcher on behalf of any member of the chat group.	C
location	Shall include the PTC target's location when reporting of the PTC target's location information is authorized and available.	C
pTCBearerCapability	Shall provide when known the media characteristics information elements of the PTC session, encoded in SDP format as per RFC 4566 [43] clause 5.	C
pTCHost	Shall identify the PTC participant who has the authority to initiate and administrate a PTC session, if known.	C

7.5.2.3 PTC session abandon attempt

The IRI-POI present in the PTC server shall generate an xIRI containing a PTCSessionAbandon record when the IRI-POI present in the PTC server detects that the PTC Session is not established and the request is abandoned before the PTC session starts. Accordingly, the IRI-POI in the PTC server generates the xIRI when the following events are detected:

- when the PTC server serving the PTC target receives a SIP CANCEL from the PTC target or sends a SIP CANCEL to the PTC target.

Table 7.5.2-3: Payload for PTCSessionAbandonAttempt record

Field name	Description	M/C/O
pTCTargetInformation	Provide PTC target identity. At least one among MCPTT ID, IMPU, IMPI, InstanceIdentifierURN and PTCChatGroupID shall be provided for PTCtargetInformation.	M
pTCDirection	Indicates the direction of the session relative to the target: "toTarget" or "fromTarget."	M
pTCSessionInfo	Shall provide PTC session information such as PTC Session URI and PTC Session type (e.g. on-demand, pre-established, ad-hoc, pre-arranged, group session).	M
location	Shall include the PTC target's location when reporting of the PTC target's location information is authorized and available.	C
pTCAbandonCause	Shall identify the reason for the abandoned PTC session based on the warning header field code provided in a response to a SIP INVITE per TS 24.379 [55] clause 4.4.2.	M

7.5.2.4 PTC session start

The IRI-POI present in the PTC server shall generate an xIRI containing a PTCSessionStart record when the IRI-POI present in the PTC server detects that the PTC Session is initiated and communication begins for both an on-demand

and pre-established PTC session. The PTCSessionStart record shall also be reported when a chat group is the PTC target. Accordingly, the IRI-POI in the PTC server generates the xIRI when the following events are detected:

- when the PTC server sends a SIP 200 OK to the PTC target in response to a SIP INVITE from the PTC target for an on-demand PTC session where the PTC target originates the PTC session.
- when the PTC server receives a SIP 200 OK from the PTC target in response to a SIP INVITE for an on-demand PTC session where the PTC target receives an invitation to join a PTC session.
- when the PTC server receives a SIP 200 OK from the participant PTC server in response to a SIP INVITE previously sent to that participating PTC server for PTC sessions initiated by the PTC target with a pre-established PTC session (PTC server sends a TBCP Connect to the PTC target with a pre-established session).
- when the PTC server sends a SIP 200 OK to the participant PTC server in response to a SIP INVITE previously received from that participating PTC server for PTC sessions terminated to the PTC target with a pre-established PTC session (PTC server sends a TBCP Connect to the PTC target with a pre-established session).
- when the PTC server hosting a PTC chat group session, where PTC chat group is the PTC target, sends a SIP 200 OK in response to a SIP INVITE previously received from the participant PTC server to initiate a PTC chat group session.

Table 7.5.2-4: Payload for PTCSessionStart record

Field name	Description	M/C/O
pTCTargetInformation	Provide PTC target identity. At least one among MCPTT ID, IMPU, IMPI, InstanceIdentifierURN and PTCChatGroupID shall be provided for PTCTargetInformation.	M
pTCDirection	Indicates the direction of the session relative to the target: "toTarget" or "fromTarget."	M
pTCServerURI	Shall include the identity of the PTC server serving the PTC target.	M
pTCSessionInfo	Shall provide PTC session information such as PTC Session URI and PTC Session type (e.g. on-demand, pre-established, ad-hoc, pre-arranged, group session).	M
pTCOriginatingID	Shall identify the originating party.	M
PTCParticipants	Shall identify the individual PTC participants of the communication session, when known.	C
pTCParticipantPresenceStatus	Shall provide the Participant Presence Status, which is a list of: <ul style="list-style-type: none"> - <i>PresenceID</i>: Identity of PTC client(s) or PTC group, when known. - <i>PresenceType</i>: Identifies type of ID [PTC client(s) or PTC group]. - <i>PresenceStatus</i>: Presence state of each ID. True indicates PTC client is available, while false indicates PTC client is unavailable. Report when the Presence functionality is supported by the PTC server and the PTC server assumes the role of the watcher on behalf of the PTC target.	C
location	Shall include the PTC target's location when reporting of the PTC target's location information is authorized and available.	C
pTCHost	Shall identify the PTC participant who has the authority to initiate and administrate a PTC Session, if known.	C
pTCBearerCapability	Shall provide the media characteristics information elements of the PTC session, encoded in SDP format as per RFC 4566 [43] clause 5 when known.	C

7.5.2.5 PTC session end

The IRI-POI present in the PTC server shall generate an xIRI containing a PTCSessionEnd record when the IRI-POI present in the PTC server detects that the PTC session is released for any reason (i.e. normal or abnormal release) and voice communications ends. Accordingly, the IRI-POI in the PTC server generates the xIRI when the following events are detected:

- when the PTC server receives a SIP BYE from the PTC target to end the session.
- when the PTC server receives a SIP 200 OK from the PTC target in response to a SIP BYE.
- when the PTC server sends a SIP BYE to the participating PTC server to end the PTC session of a PTC target with a pre-established PTC session (PTC server also sends a TBCP Disconnect to the PTC target with a pre-established PTC session).

- when the PTC server receives a SIP BYE from the participant PTC server to end the PTC session of a PTC target with a pre-established PTC session (PTC server sends a TBCP Disconnect to the PTC target with a pre-established PTC session).
- when the PTC server hosting a PTC chat group session, where PTC chat group is the PTC target, sends a SIP 200 OK in response to a SIP BYE received from the participating PTC server of the last participant in the PTC chat group session.
- when the PTC server sends a SIP 487 to the PTC target in response to a SIP CANCEL to end the session.

Table 7.5.2-5: Payload for PTCSessionEnd record

Field name	Description	M/C/O
pTCTargetInformation	Provide PTC target identity. At least one among MCPTT ID, IMPU, IMPI, InstanceIdentifierURN and PTCChatGroupID shall be provided for PTCTargetInformation.	M
pTCDirection	Indicates the direction of the session relative to the target: "toTarget" or "fromTarget."	M
pTCServerURI	Shall include the identity of the PTC server serving the PTC target.	M
pTCSessionInfo	Shall provide PTC session information such as PTC Session URI and PTC Session type (e.g. on-demand, pre-established, ad-hoc, pre-arranged, group session).	M
pTCParticipants	Shall identify the individual PTC participants of the communication session, when known.	C
location	Shall include the PTC target's location when reporting of the PTC target's location information is authorized and available.	C
pTCSessionEndCause	Shall identify the reason for the PTC session end based on the following events per OMA-TS-PoC_System_Description-V2_1-20110802-A [56] clause 4.5.7: <ul style="list-style-type: none"> - PTC session initiator leaves session - Defined participant leaves session - Number of participants less than certain value - PTC Session timer expired - PTC Speech inactive for specified time - All Media types inactive for specified time 	M

7.5.2.6 PTC start of interception

The IRI-POI present in the PTC server shall generate an xIRI containing a PTCStartOfInterception record when a PTC target or a PTC chat group as a target has an active PTC session in progress. If multiple PTC Sessions are active at the start of interception, a PTCStartOfInterception record is generated for each active session. Accordingly, the IRI-POI in the PTC server generates the xIRI when the following event is detected:

- when the PTC server detects that LI is enabled on a PTC participant or a PTC chat group with an active PTC session.

Table 7.5.2-6: Payload for PTCStartOfIntercept record

Field name	Description	M/C/O
pTCTargetInformation	Provide PTC target identity. At least one among MCPTT ID, IMPU, IMPI, InstanceIdentifierURN and PTCChatGroupID shall be provided for PTCtargetInformation.	M
pTCDirection	Indicates the direction of the session relative to the target: "toTarget" or "fromTarget."	M
pTCPreEstSessionID	Identifies the PTC Pre-Established Session Identity when available.	C
pTCOriginatingID	Shall identify the originating party.	M
pTCSessionInfo	Shall provide PTC session information such as PTC Session URI and PTC Session type (e.g. on-demand, pre-established, ad-hoc, pre-arranged, group session) when available.	C
pTCHost	Shall identify the PTC participant who has the authority to initiate and administrate a PTC session, if known.	C
pTCParticipants	Shall identify the individual PTC participants of the communication session, when known.	C
location	Shall include the PTC target's location when reporting of the PTC target's location information is authorized and available.	C
pTCMediaStreamAvail	Shall include this parameter to indicate if the PTC target is able/not able to receive media streams immediately. True indicates available for media, while false indicates not able to accept media.	M
pTCBearerCapability	Shall provide when known the media characteristics information elements of the PTC session, encoded in SDP format as per RFC 4566 [43] clause 5.	C

7.5.2.7 PTC pre-established session

The IRI-POI present in the PTC server shall generate an xIRI containing a PTCPre-EstablishedSession record when the IRI-POI present in the PTC server detects that a pre-established session is setup/modified/released between the PTC target and the PTC server associated with the PTC target. Accordingly, the IRI-POI in the PTC server generates the xIRI when the following events are detected:

- when the PTC Server receives a SIP INVITE from the PTC target to setup a pre-established session.
- when the PTC Server receives a SIP BYE from the PTC target to release a pre-established session.
- when the PTC Server receives a SIP UPDATE or SIP re-INVITE from the PTC target for a pre-established session to modify the current session.

Table 7.5.2-7: Payload for PTCPre-EstablishedSession record

Field name	Description	M/C/O
pTCTargetInformation	Provide PTC target identity. At least one among MCPTT ID, IMPU, IMPI, InstanceIdentifierURN and PTCChatGroupID shall be provided for PTCtargetInformation.	M
pTCServerURI	Shall include the identity of the PTC server serving the PTC target.	M
rTPSetting	The IP address and the port number of the PTC target at the PTC server for the RTP Session.	M
pTCMediaCapability	The codec(s) and media parameters selected by the PTC server from those contained in the original SDP offer from the PTC target's SIP REFER and encoded in SDP format as per RFC 4566 [43] clause 5.	M
pTCPreEstSessionID	Identifies the PTC Pre-Established Session Identity.	M
pTCPreEstStatus	Indicates if the pre-established session is established (setup completed), modified, or released.	M
pTCMediaStreamAvail	Shall include for a pre-established session to indicate if the PTC target's PTC client is able/not able to receive media streams immediately, when the pre-established session is established. True indicates available for media, while false indicates not able to accept media.	M
location	Shall include the PTC target's location when reporting of the PTC target's location information is authorized and available.	C
pTCFailureCode	Provide when the pre-established session cannot be established or modified.	C

7.5.2.8 PTC instant personal alert

The IRI-POI present in the PTC server shall generate an xIRI containing a PTCInstantPersonalAlert record when the IRI-POI present in the PTC server detects that an Instant Personal Alert (IPA) (i.e. a request for one participant to initiate a one-to-one PTC session) is initiated by or sent to the PTC target. Accordingly, the IRI-POI in the PTC server generates the xIRI when the following events are detected:

- when the PTC server receives a SIP MESSAGE from a PTC target for an IPA.
- when the PTC Server sends a SIP MESSAGE to the PTC target for an IPA.

Table 7.5.2-8: Payload for PTCInstantPersonalAlert record

Field name	Description	M/C/O
pTCTargetInformation	Provide PTC target identity. At least one among MCPTT ID, IMPU, IMPI, InstanceIdentifierURN and PTCChatGroupID shall be provided for PTCTargetInformation.	M
pTCIPAPartyID	Identifies the PTC participant that receives or has sent the Instant Personal Alert to the target.	M
pTCIPADirection	Identifies the direction (To PTC target or From PTC target) of the Instant Personal Alert.	M

7.5.2.9 PTC party join

The IRI-POI present in the PTC server hosting the PTC chat group session when the PTC chat group is the PTC target, shall generate an xIRI containing a PTCPartyJoin record when the IRI-POI present in that PTC server detects when a PTC participant joins (or re-joins) an on-going PTC chat group session. The PTCPartyJoin record shall also be generated when the IRI-POI present in the participating PTC server of the PTC target detects when a PTC Participant joins (or re-joins) an on-going PTC chat group session. Accordingly, the IRI-POI in the participating PTC server generates the xIRI when the following event is detected:

- when the PTC server hosting a PTC chat group session sends a SIP 200 OK in response to a SIP INVITE indicating a PTC participant joining the PTC chat group session.
- when the participating PTC server of a PTC target forwards a SIP NOTIFY (received from the PTC server hosting the PTC chat group session) to the PTC target containing information about a PTC participant joining the PTC chat group session.

Table 7.5.2-9: Payload for PTCPartyJoin record

Field name	Description	M/C/O
pTCTargetInformation	Provide PTC target identity. At least one among MCPTT ID, IMPU, IMPI, InstanceIdentifierURN and PTCChatGroupID shall be provided for PTCTargetInformation.	M
pTCDirection	Indicates the direction of the session relative to the target: "toTarget" or "fromTarget."	M
pTCSessionInfo	Shall provide PTC session information such as PTC Session URI and PTC Session type (e.g. on-demand, pre-established, ad-hoc, pre-arranged, group session).	M
pTCParticipants	Shall identify the individual PTC participants of the communication session, when known.	C
participantPresenceStatus	Shall provide the Participant Presence Status, which is a list of: <ul style="list-style-type: none"> - <i>PresenceID</i>: Identity of PTC client(s) or PTC group, when known. - <i>PresenceType</i>: Identifies type of ID [PTC client(s) or PTC group]. - <i>PresenceStatus</i>: Presence state of each ID. True indicates PTC client is available, while false indicates PTC client is unavailable. Report when the Presence functionality is supported by the PTC server and the PTC server assumes the role of the watcher on behalf of the PTC target.	C
pTCMediaStreamAvail	Shall include this parameter to indicate if the PTC target is able/not able to receive media streams immediately. True indicates available for media, while false indicates not able to accept media.	M
pTCBearerCapability	Shall provide when known the media characteristics information elements of the PTC session, encoded in SDP format as per RFC 4566 [43] clause 5.	C

7.5.2.10 PTC party drop

The IRI-POI present in the PTC server hosting the PTC chat group session, when the PTC chat group is the PTC target, shall generate an xIRI containing a PTCPartyDrop record when the IRI-POI present in that PTC server detects that a PTC participant leaves the PTC chat group session that still remains active with other PTC participants. The PTCPartyDrop record shall also be generated when the IRI-POI present in the participating PTC server of the PTC target detects when a PTC Participant leaves an on-going PTC chat group session. Accordingly, the IRI-POI in the participating PTC server generates the xIRI when the following event is detected:

- when the PTC server hosting a PTC chat group session, where the PTC chat group is the target, sends a SIP 200 OK in response to a SIP BYE with the PTC chat group session remaining active with other PTC participants.
- when the participating PTC server of a PTC target forwards a SIP NOTIFY (received from the PTC server hosting the PTC chat group session) to the PTC target containing information about a PTC participant leaving the PTC chat group session.

Table 7.5.2-10: Payload for PTCPartyDrop record

Field name	Description	M/C/O
pTCTargetInformation	Provide PTC target identity. At least one among MCPTT ID, IMPU, IMPI, InstanceIdentifierURN and PTChatGroupID shall be provided for PTCTargetInformation.	M
pTCDirection	Indicates the direction of the session relative to the target: "toTarget" or "fromTarget."	M
PTCSessionInfo	Shall provide PTC session information such as PTC Session URI and PTC Session type (e.g. on-demand, pre-established, ad-hoc, pre-arranged, group session).	M
PTCPartyDrop	Shall provide the identity of the participant that leaves the PTC session.	M
PTCParticipantPresenceStatus	Shall provide the Participant Presence Status, which is a list of: <ul style="list-style-type: none"> - <i>PresenceID</i>: Identity of PTC client(s) or PTC group, when known. - <i>PresenceType</i>: Identifies type of ID [PTC client(s) or PTC group]. - <i>PresenceStatus</i>: Presence state of each ID. True indicates PTC client is available, while false indicates PTC client is unavailable. Report when the Presence functionality is supported by the PTC server and the PTC server assumes the role of the watcher on behalf of the PTC target.	C

7.5.2.11 PTC party hold

The IRI-POI present in the PTC server shall generate an xIRI containing a PTCPartyHold record when the IRI-POI present in the PTC server detects that an on-going PTC session is placed on hold or retrieved from hold by the PTC target or by a PTC participant in a PTC chat group, where the PTC chat group is the PTC target. Accordingly, the IRI-POI in the PTC server generates the xIRI when the following event is detected:

- when the PTC server receives a SIP UPDATE or SIP re-INVITE from the PTC target and returns a SIP 200 OK to the PTC target for hold/resume operations.
- when the PTC server hosting a PTC chat group, where PTC chat group is the PTC target, receives a SIP UPDATE or SIP re-INVITE from a PTC participant for hold/resume operations.

Table 7.5.2-11: Payload for PTCPartyHold record

Field name	Description	M/C/O
pTCTargetInformation	Provide PTC target identity. At least one among MCPTT ID, IMPU, IMPI, InstanceIdentifierURN and PTChatGroupID shall be provided for PTCtargetInformation.	M
PTCDirection	Indicates the direction of the session relative to the target: "toTarget" or "fromTarget."	M
PTCSessionInfo	Shall provide PTC session information such as PTC Session URI and PTC Session type (e.g. on-demand, pre-established, ad-hoc, pre-arranged, group session).	M
PTCParticipants	Shall identify the individual PTC participants of the communication session, when known.	C
PTCHoldID	The identity of the PTC participant that placed the PTC session on hold or retrieved the held PTC session.	M
PTCHoldRetrieveInd	Shall indicate the PTC session is put on hold (i.e. deactivate Media Bursts or a PTC session is locked for talking/listening) or retrieved from hold. True indication equals placed on hold, false indication was retrieved from hold.	M

7.5.2.12 PTC media modification

The IRI-POI present in the PTC server shall generate an xIRI containing a PTCMediaModification record when the IRI-POI present in the PTC server detects that a re-negotiation of the media parameters occurs during a PTC session involving the PTC target. Accordingly, the IRI-POI in the PTC server generates the xIRI when the following event is detected:

- when the PTC server receives a SIP UPDATE or SIP reINVITE to indicate a PTC media modification on a PTC session being intercepted.

Table 7.5.2-12: Payload for PTCMediaModification record

Field name	Description	M/C/O
pTCTargetInformation	Provide PTC target identity. At least one among MCPTT ID, IMPU, IMPI, InstanceIdentifierURN and PTChatGroupID shall be provided for PTCtargetInformation.	M
PTCDirection	Indicates the direction of the session relative to the target: "toTarget" or "fromTarget."	M
PTCSessionInfo	Shall provide PTC session information such as PTC Session URI and PTC Session type (e.g. on-demand, pre-established, ad-hoc, pre-arranged, group session).	M
PTCMediaStreamAvail	Shall include this parameter to indicate if the PTC target is able/not able to receive media streams immediately. True indicates available for media, while false indicates not able to accept media.	M
PTCBearerCapability	Shall provide when known the media characteristics information elements of the PTC session, encoded in SDP format as per RFC 4566 [43] clause 5.	C

7.5.2.13 PTC group advertisement

The IRI-POI present in the PTC server shall generate an xIRI containing a PTCGroupAdvertisement record when the IRI-POI present in the PTC server detects when a PTC target sends group advertisement information to a single PTC participant, a list of PTC participants, or to all members of a PTC chat group, as well as when a PTC target receives group advertisement information from a single PTC participant, a list of PTC participants, or from members of a PTC chat group using the group identity. Accordingly, the IRI-POI in the PTC server generates the xIRI when the following events are detected:

- when the PTC server receives a SIP MESSAGE (containing group advertisement information) from a PTC target.
- when the PTC server sends a SIP MESSAGE (containing group advertisement information) to the PTC target.

Table 7.5.2-13: Payload for PTCGroupAdvertisement record

Field name	Description	M/C/O
pTCTargetInformation	Provide PTC target identity. At least one among MCPTT ID, IMPU, IMPI, InstanceIdentifierURN and PTChatGroupID shall be provided for PTCtargetInformation.	M
pTCDirection	Indicates the direction of the session relative to the target: "toTarget" or "fromTarget."	M
pTCIDList	Shall provide Identities of each participant from the target's contact list (i.e. individuals) and PTC group list (i.e. list of pre-identified individuals using a group identification) for a group call when available.	C
pTCGroupAuthRule	Identifies the action requested by the PTC target to the PTC Group Authorization Rules: <ul style="list-style-type: none"> - Report when action requested to the PTC Group Authorization Rules by the PTC target. - Report when the PTC target attempts a change or queries the access control list(s). 	C
pTCGroupAdSender	Identifies the sender of the group advertisement.	M
pTCGroupNickname	The nickname is a human-readable tag (e.g. "display-name" in a SIP header associated with a PTC client or PTC group per OMA-TS-PoC_System_Description-V2_1-20110802-A [56]).	C

7.5.2.14 PTC floor control

The IRI-POI present in the PTC server shall generate an xIRI containing a PTCFloorControl record when the IRI-POI present in the PTC server detects when the PTC target requests floor control (i.e. send media), when floor control is granted to PTC target, when floor control request from the PTC target is rejected/released, when the floor becomes open (e.g. idle), when the floor control request from the PTC target is queued, when the floor control request from the PTC target is dequeued, or when the floor control request is revoked. In addition, when the PTC chat group is the PTC target, the IRI-POI present in the PTC server hosting the PTC chat group shall generate an xIRI containing a PTCFloorControl record when the IRI-POI present in the PTC server detects any of the previously mentioned scenarios for all PTC participants participating in the PTC chat group session. Accordingly, the IRI-POI in the PTC server generates the xIRI when the following events are detected:

- when the PTC server receives a TBCP Talk Burst Request from the PTC target.
- when the PTC server hosting the PTC chat group, where the PTC chat group is the PTC target, receives a TBCP Talk Burst Request from a PTC participant.
- when the PTC server sends a TBCP Talk Burst Granted to a PTC target.
- when the PTC server hosting the PTC chat group, where the PTC chat group is the PTC target, sends a TBCP Talk Burst Granted to a PTC participant.
- when the PTC server sends a TBCP Talk Burst Taken to a PTC target.
- when the PTC server hosting the PTC chat group, where the PTC chat group is the PTC target, sends a TBCP Talk Burst Taken to a PTC participant.
- when the PTC server sends a TBCP Talk Burst Deny to a PTC target.
- when the PTC server hosting the PTC chat group, where the PTC chat group is the PTC target, sends a TBCP Talk Burst Deny to a PTC participant.
- when the PTC server sends a TBCP Talk Burst Release to a PTC target.
- when the PTC server hosting the PTC chat group, where the PTC chat group is the PTC target, sends a TBCP Talk Burst Release to a PTC participant.
- when the PTC server sends a TBCP Talk Burst Idle to a PTC target.
- when the PTC server hosting the PTC chat group, where the PTC chat group is the PTC target, sends a TBCP Talk Burst Idle to a PTC participant.
- when the PTC server sends a TBCP Talk Burst Request Queue Status Response to a PTC target.

- when the PTC server hosting the PTC chat group, where the PTC chat group is the PTC target, sends a TBCP Talk Burst Request Queue Status Response to a PTC participant.
- when the PTC server receives a TBCP Talk Burst Cancel from a PTC target.
- when the PTC server hosting the PTC chat group, where the PTC chat group is the PTC target, receives a TBCP Talk Burst Cancel from a PTC participant.
- when the PTC server sends a TBCP Talk Burst Revoke to a PTC target.
- when the PTC server hosting the PTC chat group, where the PTC chat group is the PTC target, sends a TBCP Talk Burst Revke to a PTC participant.

Table 7.5.2-14: Payload for PTCFloorControl record

Field name	Description	M/C/O
pTCTargetInformation	Provide PTC target identity. At least one among MCPTT ID, IMPU, IMPI, InstanceIdentifierURN and PTCChatGroupID shall be provided for PTCTargetInformation.	M
PTCDirection	Indicates the direction of the session relative to the target: "toTarget" or "fromTarget."	M
PTCSessioninfo	Shall provide PTC session information such as PTC Session URI and PTC Session type (e.g. on-demand, pre-established, ad-hoc, pre-arranged, group session).	M
PTCFloorActivity	Sequence of: <ol style="list-style-type: none"> a) "TBCP_Request": Received by the PTC server to request permission for the PTC target or PTC participant to send a talk burst. b) "TBCP_Granted": Used by the PTC server to notify the PTC target or PTC participant that it has been granted permission to send a talk burst. c) "TBCP_Deny": Used by the PTC server to notify a PTC target or PTC participant that it has been denied permission to send a talk burst. d) "TBCP_Idle": Used by the PTC server to notify the PTC target or PTC participant that no one has the permission to send a Talk Burst at the moment and that it may accept the TBCP talk burst request message. e) "TBCP_Taken": Used by the PTC server to notify the PTC target or PTC participant that another PTC participant has been given permission to send a talk burst. f) "TBCP_Revoke": Used by the PTC server to revoke the media resource from the PTC target or PTC participant and can be used for pre-emption functionality but is also used by the system to prevent overly long use of the media resource. g) "TBCP_Queued": Indicates the request to talk is queued, if queued floor control is supported. Include identification of the PTC target or PTC participant that has the queued talk burst, if known. h) "TBCP_Release": Indicates the request to talk has completed. 	M
PTCFloorSpeakerID	Include identification of the PTC participant that has initiated the talk burst, if known.	C
PTCMaxTBTime	Include the maximum duration value for the talk burst before the permission is revoked. This parameter is defined in seconds. Provide when known.	C
PTCQueuedFloorControl	Indicates if queuing is supported by the PTC server and the PTC target's device.	C
PTCQueuedPosition	Include if queue position in the TBCP is detected by the IRI-POI.	C
PTCTalkBurstPriority	If more than one level of priority is supported, indicates the talk burst priority level of the PTC target.	C
PTCTalkBurstReason	The reason for the denial or revoke of a Talk Burst. Provide when known.	C

7.5.2.15 PTC target presence

The IRI-POI present in the PTC server shall generate an xIRI containing a PTCTargetPresence record when the IRI-POI present in the PTC server detects that the PTC server publishes network presence information to the Presence server on behalf of the PTC target. Accordingly, the IRI-POI in the PTC server generates the xIRI when the following event is detected:

- when the PTC server sends a SIP PUBLISH message to the Presence server based on the PTC target's PTC session involvement.

Table 7.5.2-15: Payload for PTCTargetPresence record

Field name	Description	M/C/O
pTCTargetInformation	Provide PTC target identity. At least one among MCPTT ID, IMPU, IMPI, InstanceIdentifierURN and PTCCChatGroupID shall be provided for PTCTargetInformation.	M
pTCTargetPresenceStatus	Shall provide the PTC target presence status, which is a list of: <ul style="list-style-type: none"> - <i>PresenceID</i>: Identity of PTC client(s) or PTC group, when known. - <i>PresenceType</i>: Identifies type of ID [PTC client(s) or PTC group]. - <i>PresenceStatus</i>: Presence state of each ID. True indicates PTC target is available, while false indicates PTC target is unavailable. 	M

7.5.2.16 PTC participant presence

The IRI-POI present in the PTC server shall generate an xIRI containing a PTCParticipantPresence record when the IRI-POI present in the PTC server (when it supports the Presence functionality and assumes the role of the Watcher on behalf of the PTC target) detects that the PTC server receives presence status notifications from the Presence servers after having subscribed to the PTC presence status of other PTC participants (i.e. participants in communication with the PTC target). Accordingly, the IRI-POI in the PTC server generates the xIRI when the following event is detected:

- when the PTC server receives a SIP NOTIFY in response to a SIP SUBSCRIBE updating presence information for a participant.

Table 7.5.2-16: Payload for PTCParticipantPresence record

Field name	Description	M/C/O
pTCTargetInformation	Provide PTC target identity. At least one among MCPTT ID, IMPU, IMPI, InstanceIdentifierURN and PTCCChatGroupID shall be provided for PTCTargetInformation.	M
pTCTParticipantPresenceStatus	Shall provide the Participant Presence Status, which is a list of: <ul style="list-style-type: none"> - <i>PresenceID</i>: Identity of PTC client(s) or PTC group, when known. - <i>PresenceType</i>: Identifies type of ID [PTC client(s) or PTC group]. - <i>PresenceStatus</i>: Presence state of each ID. True indicates PTC client is available, while false indicates PTC client is unavailable. Report when the Presence functionality is supported by the PTC server and the PTC server assumes the role of the watcher on behalf of the PTC target.	M

7.5.2.17 PTC list management

The IRI-POI present in the PTC server shall generate an xIRI containing a PTCListManagement record when the IRI-POI present in the PTC server detects that the PTC target attempts to change their contact list/group list(s) or those lists are updated by the network. Accordingly, the IRI-POI in the PTC server generates the xIRI when the following events are detected:

- when the PTC server receives a SIP PUBLISH from a PTC target to change the PTC target's contact list or group list(s).
- when the PTC server receives a SIP NOTIFY from other PTC participants updating the PTC target's contact list or group list(s) (e.g. participant reachability).

Table 7.5.2-17: Payload for PTCListManagement record

Field name	Description	M/C/O
pTCTargetInformation	Provide PTC target identity. At least one among MCPTT ID, IMPU, IMPI, InstanceIdentifierURN and PTCChatGroupID shall be provided for PTCtargetInformation.	M
pTCDirection	Indicates the direction of the session relative to the target: "toTarget" or "fromTarget."	M
pTCListManagementType	The "List Management Attempts" identify the type of list being managed by the target when available: <ul style="list-style-type: none"> a) ContactListManagementAttempt b) GroupListManagementAttempt c) ContactListManagementResult d) GroupListManagementResult e) Request unsuccessful For example, a) and b) are reported when PTC target attempts changes to their contact list and their PTC group list(s). The "List Management Results" identify the network response to a modification by the PTC target. For example, c), d), or e) is reported when the network notifies the PTC target of changes to their contact list or their PTC group list(s).	C
pTCListManagementAction	Identifies the action requested by the PTC target to the contact lists or PTC group list(s). Report when PTC target attempts changes to his contact list or PTC group list(s): <ul style="list-style-type: none"> a) Create b) Modify c) Retrieve d) Delete e) Notify Also report when a notification is sent to the PTC target due to changes occurring to his contact list or PTC group list(s).	C
pTCListManagementFailure	Report when list management request is unsuccessful.	C
pTCContactID	Identity of the contact in the list. One contact per contact list or PTC group list. Report if known.	C
pTCIDList	Shall provide identities of each participant from the PTC target's contact list (i.e. individuals) and PTC group list (i.e. list of pre-identified individuals using a group identification) for a group call. Report if known.	C
pTCHost	Identifies the PTC participant who has authority to initiate and administrate an active PTC group session. Provide when known.	C

7.5.2.18 PTC access policy

The IRI-POI present in the PTC server shall generate an xIRI containing a PTCAccessPolicy record when the IRI-POI present in the PTC server detects when the PTC target attempts to change the access control lists (e.g. PTC user access policy and PTC group authorization rules) located in the PTC XML Document Management Server (XDMS).

Accordingly, the IRI-POI in the PTC server generates the xIRI when the following event is detected:

- when the PTC server receives a SIP PUBLISH from a PTC target to change the access control lists.

Table 7.5.2-18: Payload for PTCAccessPolicy record

Field name	Description	M/C/O
pTCTargetInformation	Provide PTC target identity. At least one among MCPTT ID, IMPU, IMPI, InstanceIdentifierURN and PTCChatGroupID shall be provided for PTCtargetInformation.	M
pTCDirection	Indicates the direction of the session relative to the target: "toTarget" or "fromTarget."	M
pTCAccessPolicyType	Identifies the type of access policy list being managed or queried by the target when known: <ul style="list-style-type: none"> a) PTCUserAccessPolicyAttempt b) GroupAuthorizationRulesAttempt c) PTCUserAccessPolicyQuery d) GroupAuthorizationRulesQuery e) PTCUserAccessPolicyResult f) GroupAuthorizationRulesResult g) Request unsuccessful <ul style="list-style-type: none"> - Report a), b), c), or d) when the PTC target attempts a change or queries the Access Control list(s). - Report e), f), or g) when the network notifies the target of changes to the access control list(s) or the request was unsuccessful. 	C
PTCUserAccessPolicy	Identifies the action requested by the PTC target to the PTC user or group access policy: <ul style="list-style-type: none"> a) Allow Incoming PTC session request b) Block Incoming PTC session request c) Allow Auto Answer Mode d) Allow Override Manual Answer Mode <ul style="list-style-type: none"> - Report when action requested to the PTC user access policy. - Report when the PTC target attempts a change or queries the access control list(s). 	C
pTCGroupAuthRule	Identifies the action requested by the PTC target to the PTC Group Authorization Rules: <ul style="list-style-type: none"> a) Allow Initiating PTC session b) Block Initiating PTC session c) Allow Joining PTC session d) Block Joining PTC session e) Allow Add Participants f) Block Add Participants g) Allow Subscription PTC session state h) Block Subscription PTC session state i) Allow Anonymity j) Forbid Anonymity <ul style="list-style-type: none"> - Report when action requested to the PTC group authorization rules by the PTC target. - Report when the PTC target attempts a change or queries the access control List(s). 	C
pTCContactID	Identity of the contact in the list. One contact per contact list or PTC group list. Report if known.	C
pTCAccessPolicyFailure	Reports the reason for failure when access policy request is unsuccessful.	C

7.5.3 IRI and CC Generation

7.5.3.1 Generation of IRI over LI_HI2

When an xIRI is received over LI_X2 from the IRI-POI in the PTC server, the MDF2 shall generate the corresponding IRI message and deliver it over LI_HI2 without undue delay. The IRI shall contain a copy of the record received over LI_X2. This record may be enriched with any additional information available at the MDF2 (e.g. additional location information).

7.5.3.2 Generation of CC over LI_HI3

When xCC is received over LI_X3 from the CC-POI in the PTC server, the MDF3 shall populate the threeGPP33128DefinedCC field with a CCPayload structure containing PTCCCPDU and send it over LI_HI3 interface to LEMF without undue delay.

The PTC media contents are structured in a CC payload as formatted in clause 5.5.3 of the present document.

7.6 Identifier Association Reporting

7.6.1 General

The IEF, ICF and IQF are responsible for detecting, storing and providing to the LEA permanent to temporary identifier associations, requested by the LEA in authorised requests. The IEF as defined in clause 6.2.2A is responsible for detecting and generating identifier associations records. The ICF is responsible for caching identifier associations for short duration and the IQF is responsible for handling requests from the LEA and providing those requests to the ICF in order to identify the matching identifier associations.

7.6.2 ICF

7.6.2.1 General

The ICF is responsible for caching identifier associations provided in event records from the IEF over LI_XER and handling queries and subsequent responses from the IQF for responses over LI_XQR.

7.6.2.2 ICF receipt of records over LI_XER

When the ICF receives an identifier association event record over LI_XER from an IEF (see clause 5.9), the ICF shall use the records to update the identifier associations cached by the ICF. The ICF shall handle the event records as described in clause 7.6.2.4.

7.6.2.3 ICF Query and Response over LI_XQR

When the ICF receives an identifier association query request from the IQF, the ICF shall search the cached identifier associations to establish a match, based on RequestValues received in the request (see clause 5.8), subject to clause 7.6.2.4.

Upon successful matching of one or more identifier associations which were active at or around (within a pre-defined search time window) the observed time specified in the query, the ICF shall provide a response to the IQF using the IdentityAssociationResponse message as defined in clause 5.8. Where the ICF is not able to provide a single identifier association based on the RequestValues, the IQF is responsible for any subsequent handling of multiple identifier associations in terms of whether to provide all associations to the LEA over LI_HIQR.

7.6.2.4 ICF Identifier Association Event Handling

Upon receipt of an Association event as defined in clause 6.2.2A.2, the ICF shall cache the identifier association(s) contained within the record as followings:

- SUPI to 5G-GUTI association received, in an IEFAssociationRecord is stored by ICF as an active association. The previous active association for the same SUPI, if any, is marked as a previously active association and cached until the cache time limit is reached.
- If the IEFAssociationRecord also contains a SUCI, the SUCI is stored as a part of the received SUPI to 5G-GUTI association, for the lifetime of that association.
- Where the IEFDeassociationRecord corresponds to an active SUPI to 5G-GUTI association at ICF, the association is marked as a previously active association and cached until the cache time limit is reached.

The ICF shall have a CSP defined maximum active association lifetime (upon expiry of which the association is deleted from the ICF).

NOTE 1: This is needed to prevent an association from not being deleted from ICF under some error conditions (e.g. a loss of IEF message carrying IEFDeassociationRecord caused by the implicit deregistration of an out-of-service UE). The selection of the maximum active association lifetime value needs to ensure that no valid active associations are deleted upon the lifetime expiry, i.e. the longest possible association refresh time supported by CSP's network needs to be accommodated.

For previous associations placed in the cache, the ICF shall store the times of association and disassociation, respectively.

Where an IEFAssociationRecord contains a PEI, GPSI, NCGI or a TAI list, the ICF shall store the received values and associate them both the current received SUPI to 5G-GUTI association and any future association until:

- A subsequent IEFAssociationRecord is received which updates the PEI, GPSI, NCGI or TAI list values.
- The old PEI / GPSI / NCGI / TAI list shall be retained in association with previous SUPI to 5G-GUTI associations until those associations are deleted from cache.
- New PEI / GPSI / NCGI / TAI list shall be used in association with both the association(s) with which it was received and any subsequent associations until another update is received.
- All SUPI associations for which the PEI / GPSI / NCGI / TAI list is valid are deleted from the cache.

When the ICF receives a query request from the IQF as defined in clause 7.6.2.3, the ICF shall search available identifier associations (both active associations and those marked for deletion in the cache) for a match. The ICF shall be able to use both time and TAI (as a single TAI and in relation to a TAI list) to identify the correct SUPI to 5G-GUTI association(s). For associations which have been disassociated (and will be deleted once the cache time limit is reached), the time of disassociation is used by the ICF to identify the correct association match (based on observed time in LEA request), where multiple associations are held in the cache.

NOTE 2: Use of nCGI to match associations based on physical location for SUCI / 5G-S-TMSI to SUPI requests, is out of scope of the present document.

As the LEA and CSP are unlikely to have synchronised the time of identifier observation / association provided by the LEA in the query request, with NF time of the IEFs, the ICF shall search the cached identifier associations using a short window time duration both before and after (subject to overall cache duration) the observed time provided by the LEA in the RequestValues over LI_XQR.

NOTE 3: While the search window duration before and after the LEA provided observed time value is outside the scope of the present document, selection of this value by the CSP needs to take into consideration, among other aspects, the duration of a potential period of recovery from a 5G-GUTI update error, in order to prevent missing of otherwise matching associations due to discrepancies between their stored association/disassociation time and the observed time provided by LEA.

NOTE 4: While the value of the short-term caching time is outside the scope of the present document, selection of this value by the CSP needs to take into consideration, among other aspects, the duration of potential period of recovery from a 5G-GUTI update error, in order to prevent previous associations being deleted before they have been fully disassociated by both the UE and AMF.

7.6.3 IQF

7.6.3.1 General

The IQF is responsible for receiving and responding to LEA requests over LI_HIQR. Following receipt of a request over LI_HIQR, the IQF shall validate the request and ensure that the request is within the cache period of associations stored in the ICF. If the request is valid and within the ICF cache period, the IQF shall send an association search request to the ICF over LI_XQR. If the request is not within the ICF cache period or otherwise invalid, the IQF shall reject the request and respond to the LEA over LI_HIQR.

Following receipt of an association search request response from the ICF over LI_XQR, the IQF shall forward any matching identifier association(s) to the LEA over LI_HIQR. If the ICF indicates zero matches were found based on the

information provided in the initial request over LI_HIQR, the IQF shall respond to the LEA over LI_HIQR indicating that no identifier associations were found based on the request from the LEA.

If the ICF responds with multiple associations of 5G-GUTIs / SUCIs to a single SUPI, the IQF shall provide all matched associations to the LEA over LI_HIQR. Handling in the case of multiple SUPIs to a single 5G-GUTI (where the initial request over LI_HIQR is based on 5G-S-TMSI or SUCI) is outside the scope of the present document.

7.6.3.2 IQF Query and Response over LI_HIQR

The IQF is responsible for receiving query requests from and providing query responses to the LEA over LI_HIQR. Further details of LI_HIQR messages are defined in clause 5.7.

7.6.3.3 IQF Query and Response over LI_XQR

The IQF is responsible for generating queries to and receiving query responses requests from the ICF over LI_XQR, based on queries received from the LEA over LI_HIQR. Further details of LI_XQR messages are defined in clause 5.8.

7.7 LI at NEF

7.7.1 Provisioning over LI_X1

7.7.1.1 General

For NIDD using NEF:

- If delivery type for the warrant is "IRI and CC", then the IRI-POI and the CC-POI in the NEF, the MDF2 and MDF3 shall be provisioned.
- If delivery type for the warrant is "IRI", then the IRI-POI in the NEF and the MDF2 shall be provisioned.
- Delivery type "CC" is not applicable to the warrant.

For device triggering, MSISDN-less MO SMS and Parameter Provisioning:

- the delivery type for the warrant is "IRI"; the IRI-POI in the NEF and the MDF2 shall be provisioned.

7.7.1.2 Provisioning of the IRI-POI and CC-POI in NEF

The IRI-POI and CC-POI present in the NEF are provisioned over LI_X1 by the LIPF using the X1 protocol as described in clause 5.2.2.

The POI in the NEF shall support the following target identifier formats in the ETSI TS 103 221-1 [7] messages (or equivalent if ETSI TS 103 221-1 [7] is not used):

- SUPIIMSI.
- SUPINAI.
- GPSIMSISDN.
- GPSINAI.

NOTE: For Parameter Provisioning, only GPSIMSISDN and GPSINAI are applicable.

7.7.2 LI for NIDD using NEF

7.7.2.1 Generation of xIRI at IRI-POI in NEF over LI_X2

7.7.2.1.1 General

The IRI-POI present in the NEF shall send the xIRIs over LI_X2 for each of the events listed in TS 33.127 [5] clause 7.9.2.3, the details of which are described in the following clauses. Each event will be based on PDU session between NEF and target UE, except for Unsuccessful Procedure event. The IRI-POI in the NEF shall also send a SeparatedLocationReporting xIRI (as described in clause 7.3.4.1) when the IRI-POI provisioned in the NEF receives updated UE location information via the Nnef_Location_LocationUpdateNotify service operation destined for an external AF.

7.7.2.1.2 PDU session establishment

The IRI-POI in the NEF shall generate an xIRI containing an NEFPDUSessionEstablishment record when the IRI-POI present in the NEF detects that an unstructured PDU session using NEF has been established for the target UE. The IRI-POI present in the NEF shall generate the xIRI for the following event:

- NEF returns Nnef_SMContext_Create Response towards the SMF confirming the establishment of the unstructured PDU session to the NEF for the target UE (as defined in TS 29.541 [57] clause 5.2.2.2) and connection to the AF is established.

Table 7.7.2-1: NEFPDUSessionEstablishment record

Field name	Value	M/C/O
sUPI	SUPI associated with the PDU session (e.g. as provided by the SMF in the associated Nnef_SMContext_Create Request).	M
gPSI	GPSI associated with the PDU session.	M
pDUSessionID	PDU Session ID.	M
sNSSAI	Slice identifier associated with the PDU session.	C
nEFID	NEF identity handling the PDU session.	M
dNN	Data Network Name associated with the target traffic. Shall be given in dotted-label presentation format as described in TS 23.003 [19] clause 9.1.	M
rDSSupport	True if Reliable Data Service is supported in the PDU session, otherwise False.	M
sMFID	Identifier of the SMF associated with the target UE for that that PDU Session.	M
aFID	Identifier of the AF.	M

7.7.2.1.3 PDU session modification

The IRI-POI in the NEF shall generate an xIRI containing an NEFPDUSessionModification record when the IRI-POI present in the NEF detects that an unstructured PDU session using NEF has been modified for the target UE. The IRI-POI present in the NEF shall generate the xIRI for the following events:

- NEF returns Nnef_SMContext_Update Response to SMF to confirm the modification of the connection between SMF and NEF (see TS 29.541 [57] clause 5.2.2.5).
- NEF returns a RDS MANAGE PORT Response to a UE with a "Status" field set to "Success" in response to a RDS MANAGE PORT command sent by UE with an "Action" field set to "Reserve port" to confirm the reservation of a combination of source and destination port numbers for use for a traffic to be sent by the UE to a specific application on an AF (see TS 24.250 [61] clause 5.4.2.6.2).
- NEF receives a RDS MANAGE PORT Response from a UE with a "Status" field set to "Success" in response to a RDS MANAGE PORT command sent by the NEF with an "Action" field set to "Reserve port" to confirm the reservation of a combination of source and destination port numbers for use for a traffic to be sent by an AF to a specific application on the UE (see TS 24.250 [61] clause 5.4.2.6.2).
- NEF returns a RDS MANAGE PORT Response to a UE with a "Status" field set to "Success" in response to a RDS MANAGE PORT command sent by UE with an "Action" field set to "Release port" to confirm the release of a combination of source and destination port numbers for an application on an AF (see TS 24.250 [61] clause 5.4.2.6.3).

- NEF receives a RDS MANAGE PORT Response from a UE with a "Status" field set to "Success" in response to a RDS MANAGE PORT command sent by the NEF with an "Action" field set to "Release port" to confirm the release of a combination of source and destination port numbers for an application on the UE (see TS 24.250 [61] clause 5.4.2.6.3).

Table 7.7.2-2: NEFPDUSessionModification record

Field name	Value	M/C/O
sUPI	SUPI associated with the PDU session	M
gPSI	GPSI associated with the PDU session	M
sNSSAI	Slice identifier associated with the PDU session	M
Initiator	Initiator of the modification of the PDU session, UE, SMF or NEF	M
rDSSourcePortNumber	RDS source port number	C
rDSDestinationPortNumber	RDS destination port number	C
applicationID	Application identifier on the UE or on the AF if RDS is used	C
aFID	Identifier of the AF if RDS is used	C
rDSAction	Action if RDS is used. Possible values: "ReservePort", "ReleasePort"	C
serializationFormat	Data format exchanged between UE and AF if RDS is used	C
pDUSessionID	PDU Session ID (see NOTE below)	M
NOTE: For the backward compatibility purposes the parameter is coded as OPTIONAL in the ASN.1 schema (Annex A).		

7.7.2.1.4 PDU session release

The IRI-POI in the NEF shall generate an xIRI containing an NEFPDUSessionRelease record when the IRI-POI present in the NEF detects that an unstructured PDU session using NEF related to the target UE needs to be released. The IRI-POI present in the NEF shall generate the xIRI for the following events:

- NEF notifies the SMF that the SMF-NEF Connection for NIDD via NEF is no longer valid using Nnef_SMContext_DeleteNotify service operation when NEF receives a notification from the UDM that the NIDD authorization has ended. NEF releases the SM Context for NIDD on NEF as described in TS 29.541 [57] clause 5.2.2.4. This corresponds to NEF Initiated SMF-NEF Connection Release procedure.
- NEF returns Nnef_SMContext_Delete Response towards SMF confirming release of the SMF-NEF session for the target UE. In this scenario, SMF releases the SM Context for NIDD on NEF as specified in TS 29.541 [57] clause 5.2.2.3).

Table 7.7.2-3: NEFPDUSessionRelease record

Field name	Value	M/C/O
sUPI	SUPI associated with the PDU session	M
gPSI	GPSI associated with the PDU session	M
pDUSessionID	PDU Session ID as assigned by the AMF	M
timeOfFirstPacket	Time of first packet for the PDU session	C
timeOfLastPacket	Time of last packet for the PDU session	C
uplinkVolume	Number of uplink octets for the PDU session	C
downlinkVolume	Number of downlink octets for the PDU session	C
releaseCause	Cause of PDU Session Release	M

7.7.2.1.5 Unsuccessful procedure

The IRI-POI in the NEF shall generate an xIRI containing a NEFUnsuccessfulProcedure record when the IRI-POI present in the NEF detects an unsuccessful procedure or error condition for a UE matching one of the target identifiers provided via LI_X1.

Accordingly, the IRI-POI in the NEF generates the xIRI when one of the following events are detected as described in TS 29.541 [57] clause 6.1.7.3 and TS 24.250 [61] clause 5.4.2.6:

- NEF sends a Nnef_SMContext_Create Reject message to the SMF with a reject cause set to "USER_UNKNOWN" or "NIDD_CONFIGURATION_NOT_AVAILABLE".

- NEF returns a RDS MANAGE PORT Response to a UE with a "Status" field set to "Port not free" in response to a RDS MANAGE PORT command sent by UE with an "Action" field set to "Reserve port".
- NEF receives a RDS MANAGE PORT Response from a UE with a "Status" field set to "Port not free" in response to a RDS MANAGE PORT command sent by NEF with an "Action" field set to "Reserve port".
- NEF returns a RDS MANAGE PORT Response to a UE with a "Status" field set to "Port not associated with specified application" in response to a RDS MANAGE PORT command sent by UE with an "Action" field set to "Release port".
- NEF receives a RDS MANAGE PORT Response from a UE with a "Status" field set to "Port not associated with specified application" in response to a RDS MANAGE PORT command sent by NEF with an "Action" field set to "Release port".

Table 7.7.2-4: NEFUnsuccessfulProcedure record

Field name	Value	M/C/O
failureCause	Provides the value of the failure cause.	M
sUPI	SUPI associated with the procedure.	M
gPSI	GPSI used in the procedure, if available.	C
pDUSessionID	PDU Session ID.	C
dNN	Data Network Name associated with the target traffic, if available. Shall be given in dotted-label presentation format as described in TS 23.003 [19] clause 9.1.	C
sNSSAI	Slice requested for the procedure, if available.	C
rDSDestinationPortNumber	RDS destination port number.	C
applicationID	Application associated with the RDS destination port number.	C
aFID	Application Function identifier. If the Application Function identifier is not available, the placeholder value "Unknown" shall be used.	C

7.7.2.1.6 Start of interception with established PDU session

The IRI-POI in the NEF shall generate an xIRI containing an NEFStartOfInterceptionWithEstablishedPDUSession record when the IRI-POI present in the NEF detects that an unstructured PDU session using NEF has already been established, at the time the POI on NEF is provisioned with a new target ID.

The IRI-POI in the NEF shall generate the xIRI containing the NEFStartOfInterceptionWithEstablishedPDUSession record for each of the PDU sessions for NIDD using NEF associated with the target UE with a different value of correlation information.

Table 7.7.2-5: NEFStartOfInterceptionWithEstablishedPDUSession record

Field name	Value	M/C/O
sUPI	SUPI associated with the PDU session (e.g. as provided by the SMF in the associated Nnef_SMContext_Create Request).	M
gPSI	GPSI associated with the PDU session.	M
pDUSessionID	PDU Session ID.	M
sNSSAI	Slice identifier associated with the PDU session.	M
dNN	Data Network Name associated with the target traffic. Shall be given in dotted-label presentation format as described in TS 23.003 [19] clause 9.1.	M
nEFID	NEF identity handling the PDU session.	M
rDSSupport	True if Reliable Data Service is supported in the PDU session, otherwise False.	M
sMFID	Identifier of the SMF associated with the target UE for that that PDU Session.	M
aFID	String Identifying the AF the traffic will be delivered to.	M

The IRI-POI present in the SMF generating an xIRI containing a NEFStartOfInterceptionWithEstablishedPDUSession record shall set the Payload Direction field in the PDU header to *not applicable* (see ETSI TS 103 221-2 [8] clause 5.2.6).

7.7.2.2 Generation of xCC at CC-POI in NEF over LI_X3

The CC-POI present in the NEF shall send xCC over LI_X3 for each NIDD packet.

Each X3 PDU shall contain the contents of the user plane packet (i.e. NIDD) using an unstructured payload format.

The CC-POI present in the NEF shall set the payload format to indicate the appropriate payload type (i.e. unstructured payload) as described in ETSI TS 103 221-2 [8] clause 5.4.

7.7.2.3 Generation of IRI over LI_HI2

When an xIRI is received over LI_X2 from the IRI-POI in the NEF, the MDF2 shall send the IRI message over LI_HI2 without undue delay. The IRI message shall contain a copy of the relevant record received from LI_X2. The record may be enriched by other information available at the MDF (e.g. additional location information).

The ETSI TS 102 232-1 [9] *@LI-PS-PDU.pSHeader.timeStamp* shall be set to the time at which the NEF event was observed (i.e. the timestamp field of the xIRI).

The *@LI-PS-PDU.payload.iRIPayloadSequence.iRIType* parameter (see ETSI TS 102 232-1 [9] clause 5.2.10) shall be included and coded according to table 7.7.2-6.

Table 7.7.2-6: IRI type for IRI messages

Record type	IRI Type
NEFPDUSessionEstablishment	BEGIN
NEFPDUSessionRelease	END
NEFPDUSessionModification	CONTINUE
NEFStartOfInterceptionWithEstablishedPDUSession	BEGIN
NEFUnsuccessfulProcedure	REPORT or CONTINUE

IRI messages associated with the same PDU Session shall be assigned the same CIN (see ETSI TS 102 232-1 [9] clause 5.2.4).

The *@LI-PS-PDU.payload.iRIPayloadSequence.iRISContents.threeGPP33128DefinedIRI* field of the LI_HI2 message shall be populated with the BER-encoded *IRIPayload* as described in ETSI TS 102 232-7 [10] clause 15.

7.7.2.4 Generation of CC over LI_HI3

When xCC is received over LI_X3 from the CC-POI in the NEF, the MDF3 shall populate the ETSI TS 102 232-1 [9] *@LI-PS-PDU.payload.cCPayloadSequence.cCContents.threeGPP33128DefinedCC* field with a *CCPayload.pDU.nIDDCCPDU* and send it over LI_HI3 interface to LEMF without undue delay.

The ETSI TS 102 232-1 [9] *@LI-PS-PDU.pSHeader.timeStamp* field shall be set to the time that the NEF observed the data (i.e. the timestamp field of the xCC). The LIID and CID fields shall correctly reflect the target identity and communication session to which the CC belongs.

7.7.3 LI for device triggering

7.7.3.1 Generation of xIRI LI_X2 at IRI-POI in NEF over LI_X2

7.7.3.1.1 General

The IRI-POI present in the NEF shall send the xIRIs over LI_X2 for each of the events listed in TS 33.127 [5] clause 7.9.3.4, the details of which are described in the following clauses.

7.7.3.1.2 Device trigger

The IRI-POI in the NEF shall generate an xIRI containing a NEFDeviceTrigger record when the IRI-POI present in the NEF detects that an AF has sent a Device trigger to a target UE matching one of the target identifiers.

Accordingly, the IRI-POI in the NEF generates the xIRI when any of the following events is detected:

- NEF sends a Nnef_Trigger_Delivery Response to the AF to acknowledge the reception of Nnef_Trigger_Delivery Request with GPSI matching the target identifier (see TS 23.502 [4] clause 4.13.2.1 and TS 29.522 [58] clause 4.4.3).
- NEF sends a T4 Device-Trigger-Request (DTR) to SM-SC with Trigger-Action AVP set to TRIGGER and User-Identifier AVP matching the SUPI of the target UE as described in TS 29.337 [60] clause 5.2.1.

Table 7.7.3-1: NEFDeviceTrigger record

Field name	Value	M/C/O
sUPI	SUPI associated with the UE.	M
gPSI	GPSI used with the UE.	M
triggerId	Identity of the Device trigger that should be provided in the deviceTriggeringDeliveryReportNotification IRI, Device trigger replacement IRI and Device trigger cancellation IRI.	M
aFID	The AF sending the Device trigger.	M
triggerPayload	The Device triggering payload.	C
validityPeriod	The validity time in seconds for the specific action requested.	C
priorityDT	The priority indication for a trigger payload.	C
sourcePortId	Application identity on the AF which delivers the Device trigger.	C
destinationPortId	Used to uniquely identify the triggering application addressed in the device.	C

7.7.3.1.3 Device trigger replace

The IRI-POI in the NEF shall generate an xIRI containing a NEFDeviceTriggerReplace record when the IRI-POI present in the NEF detects that an AF has sent a Device trigger replacement for a previously sent Device trigger to a UE matching one of the target identifiers provided via LI_X1 to the IRI-POI in the NEF. It replaces a previously submitted Device trigger message which has not yet been delivered to the UE.

Accordingly, the IRI-POI in the NEF generates the xIRI when any of the following events is detected:

- NEF receives a Nnef_Trigger_Delivery Request (for a device trigger replacement) from an AF as described in TS 29.522 [58] clause 4.4.3 with GPSI matching the target identifier.
- NEF sends a T4 Device-Trigger-Request (DTR) to SM-SC with Trigger-Action AVP set to REPLACE and User-Identifier AVP matching the SUPI of the target UE as specified in 29.337 [60] clause 5.2.1.

Table 7.7.3-2: NEFDeviceTriggerReplace record

Field name	Value	M/C/O
sUPI	SUPI associated with the target UE.	M
gPSI	GPSI used with the target UE.	M
triggerId	Identity of the corresponding Device trigger to be replaced.	M
aFID	The AF replacing an existing Device trigger which has not been delivered yet to the device (e.g. because the device is unreachable) by a new Device trigger.	M
triggerPayload	The device triggering payload.	C
validityPeriod	The validity time in seconds for the specific action requested.	C
priorityDT	Priority indication for a trigger payload.	C
sourcePortId	Port on the AF which delivers the device trigger.	C
destinationPortId	Port on the device which is the recipient of the device trigger.	C

7.7.3.1.4 Device trigger cancellation

The IRI-POI in the NEF shall generate an xIRI containing a NEFDeviceTriggerCancellation record when the IRI-POI present in the NEF detects that an AF has sent a Device trigger cancellation for a previously sent Device trigger to a UE matching one of the target identifiers provided via LI_X1 to the IRI-POI in the NEF. It cancels previously submitted Device trigger message which has not yet been delivered to the target UE.

Accordingly, the IRI-POI in the NEF generates the xIRI when any of the following events is detected:

- NEF receives a Nnef_Trigger_Delivery Request (for a device trigger cancellation) with GPSI matching the target identifier as described in TS 29.522 [58] clause 4.4.3.
- NEF sends a T4 Device-Trigger-Request (DTR) to SM-SC with Trigger-Action AVP set to RECALL and User-Identifier AVP matching the SUPI of the target UE as specified in TS 29.337 [60] clause 5.2.1.

Table 7.7.3-3: NEFDeviceTriggerCancellation record

Field name	Value	M/C/O
sUPI	SUPI associated with the target UE.	M
gPSI	GPSI used with the target UE.	M
triggerId	Identity of the corresponding device trigger to be cancelled.	M

7.7.3.1.5 Device trigger report notification

The IRI-POI in the NEF shall generate an xIRI containing a NEFDeviceTriggerReportNotify record when the IRI-POI present in the NEF detects that the NEF has returned a Device trigger report to the AF with a cause value indicating the trigger delivery outcome (e.g. succeeded, unknown or failed).

Accordingly, the IRI-POI in the NEF generates the xIRI when any of the following events is detected:

- NEF sends a Nnef_Trigger_DeliveryNotify service operation with the GPSI of the target UE to inform the AF on the delivery outcome of the device trigger as described in TS 29.522 [58] clause 4.4.3.
- SM-SC sends a T4 Delivery-Report-Request (DRR) to the NEF with User-Identifier matching the SUPI of the target UE as specified in 29.337 [60] clause 5.2.2.

Table 7.7.3-4: NEFDeviceTriggerReportNotify record

Field name	Value	M/C/O
sUPI	SUPI associated with the target UE.	M
gPSI	GPSI used with the target UE.	M
triggerId	Identity of the corresponding Device trigger.	M
deviceTriggerDeliveryResult	Delivery result represents the result of the delivery of a device triggering request: <ul style="list-style-type: none"> - SUCCESS: The value indicates that the device action request was successfully completed. - UNKNOWN: The value indicates any unspecified errors. - FAILURE: The value indicates that this trigger encountered a delivery error and is deemed permanently undeliverable. - TRIGGERED: The value indicates that Device triggering request is accepted by the NEF. - EXPIRED: The value indicates that the validity period expired before the trigger could be delivered. - UNCONFIRMED: The value indicates that the delivery of the device action request is not confirmed. - REPLACED: The value indicates that the device triggering replacement request is accepted by the NEF. - TERMINATE: The NEF includes this value in the response for a successful device triggering cancellation request. The value indicates that the delivery of the device action request is terminated by the AF. 	M

7.7.3.2 Generation of IRI over LI_HI2

When an xIRI is received over LI_X2 from the IRI-POI in the NEF, the MDF2 shall send the IRI message over LI_HI2 without undue delay. The IRI message shall contain a copy of the relevant record received from LI_X2. The record may be enriched by other information available at the MDF (e.g. additional location information).

The timestamp field of the ETSI TS 102 232-1 [9] PSHeader structure shall be set to the time at which the NEF event was observed (i.e. the timestamp field of the xIRI).

The IRI type parameter (see ETSI TS 102 232-1 [9] clause 5.2.10) shall be included and coded according to table 7.7.3-5.

Table 7.7.3-5: IRI type for IRI messages

Record type	IRI Type
NEFDeviceTrigger	REPORT
NEFDeviceTriggerReplace	REPORT
NEFDeviceTriggerCancellation	REPORT
NEFDeviceTriggerReportNotify	REPORT

7.7.4 LI for MSISDN-less MO SMS

7.7.4.1 Generation of xIRI LI_X2 at IRI-POI in NEF over LI_X2

7.7.4.1.1 General

The IRI-POI present in the NEF shall send the xIRIs over LI_X2 for each of the events listed in TS 33.127 [5] clause 7.9.4.4, the details of which are described in the following clauses.

7.7.4.1.2 MSISDN-less MO SMS

The IRI-POI in the NEF shall generate an xIRI containing a NEFMSISDNLessMOSMS record when the IRI-POI present in the NEF detects that a target UE has sent a MSISDN-less MO SMS to an AF.

Accordingly, the IRI-POI in the NEF generates the xIRI when any of the following events is detected:

- NEF receives a SGd MO-Forward-Short-Message-Request (OFR) from an SM-SC with SUPI matching the target identifier (see TS 29.338 [59] clause 6.2.1).
- NEF sends a Nnef_MSISDN-less_MO_SMSNotify service operation to the AF with the GPSI of the target UE sending the MSISDN-less SMS as described in TS 29.522 [58] clause 4.4.10.

Table 7.7.4-1: NEFMSISDNLessMOSMS record

Field name	Value	M/C/O
sUPI	SUPI associated with the target UE.	M
gPSI	GPSI in the form of an external identifier as username@realm and corresponding to the identity of the originating SMS party.	M
terminatingSMSParty	Identity of the AF receiving the SMS.	M
sMS	SMS TPDU.	C
sourcePort	port identifying the application of the target UE sending the MSISN-less MO SMS.	C
destinationPort	port identifying the application of the AF which is the recipient of the MSISN-less MO SMS.	C

7.7.4.2 Generation of IRI over LI_HI2

When an xIRI is received over LI_X2 from the IRI-POI in the NEF, the MDF2 shall send the IRI message over LI_HI2 without undue delay. The IRI message shall contain a copy of the relevant record received from LI_X2. The record may be enriched by other information available at the MDF (e.g. additional location information).

The timestamp field of the ETSI TS 102 232-1 [9] PSHeader structure shall be set to the time at which the NEF event was observed (i.e. the timestamp field of the xIRI).

The IRI type parameter (see ETSI TS 102 232-1 [9] clause 5.2.10) shall be included and coded according to table 7.7.4-2.

Table 7.7.4-2: IRI type for IRI messages

Record type	IRI Type
NEFMSISDNLessMOSMS	REPORT

7.7.5 LI for parameter provisioning

7.7.5.1 Generation of xIRI LI_X2 at IRI-POI in NEF over LI_X2

7.7.5.1.1 General

The IRI-POI present in the NEF shall send the xIRIs over LI_X2 for each of the events listed in TS 33.127 [5] clause 7.9.5.4, the details of which are described in the following clauses.

7.7.5.1.2 Expected UE behaviour update

The IRI-POI in the NEF shall generate an xIRI containing an NEFExpectedUEBehaviorUpdate record when the IRI-POI present in the NEF detects that an AF has updated the UE Expected behaviour data.

Accordingly, the IRI-POI in the NEF generates the xIRI when any of the following events is detected (see TS 29.503 [25] clauses 5.6.2.1 and 6.1.6.2.49):

- NEF receives a NEF_ParameterProvision_Create Request or NEF_ParameterProvision_Update Request from an AF, related to the target UE.
- NEF receives a NEF_ParameterProvision_Delete Request from an AF to delete the existing UE Expected Behaviour parameters related to the target UE.
- NEF returns a NEF_ParameterProvision_Get Response containing the UE Expected Behaviour of the target UE to the querying AF.

Table 7.7.5-1: NEFExpectedUEBehaviorUpdate record

Field name	Value	M/C/O
gPSI	GPSI of the target UE to which the expected UE behaviour applies.	M
expectedUEMovingTrajectory	Identifies the UE's expected geographical movement.	O
stationaryIndication	Identifies whether the UE is stationary or mobile.	O
communicationDurationTime	Indicates for how long the UE will normally stay in CM-Connected for data transmission expressed in seconds.	O
periodicTime	Interval Time of periodic communication in seconds.	O
scheduledCommunicationTime	Time and day of the week when the UE is available for communication, as defined in TS 29.571 [17].	O
batteryIndication	Identifies power consumption criticality for the UE: if the UE is battery powered but the battery is not rechargeable/not replaceable, battery powered with rechargeable/replaceable battery, or not battery powered.	O
trafficProfile	Identifies the type of data transmission: single packet transmission (UL or DL), dual packet transmission (UL with subsequent DL or DL with subsequent UL), multiple packets transmission.	O
scheduledCommunicationType	Indicates that the Scheduled Communication Type is Downlink only or Uplink only or Bi-directional.	O
expectedTimeAndDayOfWeekInTrajectory	Identifies the time and day of week when the UE is expected to be at each location included in the Expected UE Moving Trajectory.	O
aFID	AF identity requesting expected UE behaviour update.	M
validityTime	Identifies when the expected UE behaviour parameter set expires and shall be deleted. If absent, it indicates that there is no expiration time for this parameter set.	O

7.7.5.2 Generation of IRI over LI_HI2

When an xIRI is received over LI_X2 from the IRI-POI in the NEF, the MDF2 shall send the IRI message over LI_HI2 without undue delay. The IRI message shall contain a copy of the relevant record received from LI_X2. The record may be enriched by other information available at the MDF (e.g. additional location information).

The timestamp field of the ETSI TS 102 232-1 [9] PSHeader structure shall be set to the time at which the NEF event was observed (i.e. the timestamp field of the xIRI).

The IRI type parameter (see ETSI TS 102 232-1 [9] clause 5.2.10) shall be included and coded according to table 7.7.5-2.

Table 7.7.5-2: IRI type for IRI messages

Record type	IRI Type
NEFExpectedUEBehaviorUpdate	REPORT

7.7.6 LI for AF session with QoS

7.7.6.1 Generation of xIRI at IRI-POI in NEF over LI_X2

7.7.6.1.1 General

The IRI-POI present in the NEF shall send the xIRIs over LI_X2 for each of the events listed in TS 33.127 [5] clause 7.9.6.4, the details of which are described in the following clauses.

7.7.6.1.2 AF session with QoS provision

The IRI-POI in the NEF shall generate an xIRI containing an NEFAFSessionWithQoSProvision record when the IRI-POI present in the NEF detects that an AF has requested the NEF to provide, update or revoke a specific QoS for an AF session.

Accordingly, the IRI-POI in the NEF generates the xIRI when any of the following events is detected (see TS 29.522 [58] clause 4.4.9):

- NEF returns a Nnef_AFsessionWithQoS_Create Response in response to Nnef_AFsessionWithQoS_Create Request received from an AF to provide a specific QoS for an AF session related to a target UE.
- NEF returns a Nnef_AFsessionWithQoS_Update Response in response to Nnef_AFsessionWithQoS_Update Request received from an AF to update the QoS for an AF session related to a target UE.
- NEF returns a Nnef_AFsessionWithQoS_Revoke Response in response to Nnef_AFsessionWithQoS_Revoke Request received from an AF to revoke the QoS for an AF session related to a target UE.

Table 7.7.6.1.2-1: NEFAFSessionWithQoSProvision record

Field name	Value	M/C/O
gPSI	GPSI of the target UE the AF session with required QoS applies to.	M
aFID	AF identity requesting AF session with required QoS.	M
aFSessionWithQoSOpType	Type of operation for AF session with required QoS: POST to provision, PUT and PATCH to update and DELETE to revoke.	M
aFSessionWithQoSSubscription	Includes an ASessionWithQoSSubscription resource according to TS 29.122 [63] clause A.14. The SBIReference for this parameter shall be populated with 'TS29122_AsSessionWithQoS.yaml#/components/schemas/AsSessionWithQoSSubscription'. Present only if the aFSessionWithQoSOpType is set to "POST" or "PUT".	C
aFSessionWithQoSSubscriptionPatch	Includes a ASessionWithQoSSubscriptionPatch resource according to TS 29.122 [63] clause A.14. The SBIReference for this parameter shall be populated with 'TS29122_AsSessionWithQoS.yaml#/components/schemas/AsSessionWithQoSSubscriptionPatch'. Present only if the aFSessionWithQoSOpType is set to "PATCH".	C
aFSessionWithQoSResponseCode	Identifies the response code associated to the AFSessionWithQoS operation executed by the NEF.	M

7.7.6.1.3 AF session with QoS notification

The IRI-POI in the NEF shall generate an xIRI containing an NEFAFSessionWithQoSNotification record when the IRI-POI present in the NEF detects that the NEF has notified the AF about the outcome of QoS reservation or update.

Accordingly, the IRI-POI in the NEF generates the xIRI when any of the following events is detected (see TS 29.522 [58] clauses 4.4.9):

- NEF receives a Nnef_AFsessionWithQoS_Notify Response in response to Nnef_AFsessionWithQoS_Notify Request sent to AF to notify changes in the transmission resource status of an AF session associated with the target UE.

Table 7.7.6.1.3-1: NEFAFSessionWithQoSNotification record

Field name	Value	M/C/O
gPSI	GPSI of the target UE the AF session with required QoS applies to.	M
userPlaneNotificationData	Includes a userPlaneNotificationData resource according to TS 29.122 [63] clause A.14. The SBIReference for this parameter shall be populated with 'TS29122_AsSessionWithQoS.yaml#/components/schemas/UserPlaneNotificationData'.	M
aFSessionWithQoSResponseCode	Identifies the response code returned by AF associated to the AFSessionWithQoS notification sent by NEF to AF.	M

7.7.6.2 Generation of IRI over LI_HI2

When an xIRI is received over LI_X2 from the IRI-POI in the NEF, the MDF2 shall send the IRI message over LI_HI2 without undue delay. The IRI message shall contain a copy of the relevant record received from LI_X2. The record may be enriched by other information available at the MDF (e.g. additional location information).

The timestamp field of the ETSI TS 102 232-1 [9] PSHeader structure shall be set to the time at which the NEF event was observed (i.e. the timestamp field of the xIRI).

The IRI type parameter (see ETSI TS 102 232-1 [9] clause 5.2.10) shall be included and coded according to table 7.7.6.2-1.

Table 7.7.6.2-1: IRI type for IRI messages

Record type	IRI Type
NEFAFSessionWithQoSProvision	REPORT
NEFAFSessionWithQoSNotification	REPORT

7.8 LI at SCEF

7.8.1 Provisioning over LI_X1

7.8.1.1 General

For NIDD using SCEF:

- If delivery type for the warrant is "IRI and CC", then the IRI-POI and the CC-POI in the SCEF, the MDF2 and MDF3 shall be provisioned.
- If delivery type for the warrant is "IRI", then the IRI-POI in the SCEF and the MDF2 shall be provisioned.
- Delivery type "CC" is not applicable to the warrant.

For device triggering, MSISDN-less MO SMS and Parameter Provisioning:

- the delivery type for the warrant is "IRI"; the IRI-POI in the SCEF and the MDF2 shall be provisioned.

7.8.1.2 Provisioning of the IRI-POI and CC-POI in SCEF

The IRI-POI and CC-POI present in the SCEF are provisioned over LI_X1 by the LIPF using the X1 protocol as described in clause 5.2.2.

The POI in the SCEF shall support the following target identifier formats in the ETSI TS 103 221-1 [7] messages (or equivalent if ETSI TS 103 221-1 [7] is not used):

- IMSI.
- MSISDN.
- External Identifier.

NOTE: For Parameter Provisioning, only MSISDN and External Identifier are applicable.

7.8.2 LI for NIDD using SCEF

7.8.2.1 Generation of xIRI at IRI-POI in SCEF over LI_X2

7.8.2.1.1 General

The IRI-POI present in the SCEF shall send the xIRIs over LI_X2 for each of the events listed in TS 33.127 [5] clause 7.8.2.3, the details of which are described in the following clauses. Each event will be based on PDN Connection between SCEF and target UE, except in case of Unsuccessful Procedure.

7.8.2.1.2 SCEF PDN connection establishment

The IRI-POI in the SCEF/IWK-SCEF shall generate an xIRI containing an SCEFPDNConnectionEstablishment record when the IRI-POI present in the SCEF/IWK-SCEF detects that a Non-IP PDN Connection using SCEF has been established by the target UE. The IRI-POI present in the SCEF/IWK-SCEF shall generate the xIRI for the following events (see TS 29.128 [62] clause 5.8):

- the SCEF/IWK-SCEF sends a T6a/T6ai Connection Management Answer to MME as a response to a T6a/T6ai Connection Management Request received with User-Identifier AVP including the set of identities of the UE, i.e. IMSI/MSISDN/External Identifier matching the target Identifier and Connection-Action AVP set to CONNECTION_ESTABLISHMENT to confirm the establishment of a Non-IP PDN connection.
- in roaming situation SCEF sends a T7 Connection Management Answer to IWK-SCEF as a confirmation to the T7 Connection Management Request received with User-Identifier AVP including the set of identities of the UE, i.e. IMSI/MSISDN/External Identifier matching the target Identifier and with Connection-Action AVP set to CONNECTION_ESTABLISHMENT.

Table 7.8.2-1: SCEFPDNConnectionEstablishment record

Field name	Value	M/C/O
iMSI	IMSI associated with the Non-IP PDN Connection of the target UE (e.g. as provided by the MME in the associated Connection Management Request).	C
mSISDN	MSISDN associated with the PDN Connection if available.	C
externalIdentifier	External Identifier associated with the PDN Connection if available, defined as NAI in ASN.1.	C
iMEI	IMEI associated to the device if available.	C
ePSBearerID	Identity of the EPS bearer that MME allocated to the Non-IP PDN connection.	M
sCEFID	SCEF identity handling the EPS Bearer.	M
aPN	Access Point Name used to establish the PDN Connection. Shall be given in dotted-label presentation format as described in TS 23.003 [19] clause 9.1.	M
rDSSupport	True if Reliable Data Service is supported in the PDN Connection, otherwise False	M
sCSASID	String Identifying the SCS/AS the traffic will be delivered to.	M

7.8.2.1.3 PDN connection update

The IRI-POI in the SCEF/IWK-SCEF shall generate an xIRI containing an SCEFPDNConnectionUpdate record when the IRI-POI present in the SCEF/IWK-SCF detects that a Non-IP PDN Connection has been updated for the target UE. The IRI-POI present in the SCEF/IWK-SCEF shall generate the xIRI for the following events:

- SCEF/IWK-SCEF sends a T6a/T6ai Connection Management Answer to confirm the T6a/T6ai Connection Management Request received with User-Identifier AVP including the set of identities of the UE, i.e. IMSI/MSISDN/External Identifier matching the target Identifier and with Connection-Action AVP set to CONNECTION_UPDATE as described in TS 29.128 [62] clause 5.7.
- SCEF/IWK-SCEF receives a T6a/T6ai Connection Management Answer from MME which confirms the T6a/T6ai Connection Management Request sent by SCEF/IWK-SCEF with User-Identifier AVP including the set of identities of the UE, i.e. IMSI/MSISDN/External Identifier matching the target Identifier and with Connection-Action AVP set to CONNECTION_UPDATE as described in TS 29.128 [62] clause 5.8.
- in roaming situation SCEF sends a T7 Connection Management Answer to IWK-SCEF to confirm the T7 Connection Management Request received with User-Identifier AVP including the set of identities of the UE, i.e. IMSI/MSISDN/External Identifier matching the target Identifier and with Connection-Action AVP set to CONNECTION_UPDATE as described in TS 29.128 [62] clause 5.7.
- in roaming situation SCEF receives a T7 Connection Management Answer from IWK-SCEF which confirms the T7 Connection Management Request with User-Identifier AVP including the set of identities of the UE, i.e. IMSI/MSISDN/External Identifier matching the target Identifier and with Connection-Action AVP set to CONNECTION_UPDATE as described in TS 29.128 [62] clause 5.8.
- SCEF returns a RDS MANAGE PORT Response to a UE with a "Status" field set to "Success" in response to a RDS MANAGE PORT command sent by UE with an "Action" field set to "Reserve port" to confirm the reservation of a combination of source and destination port numbers for use for a traffic to be sent by the UE to a specific application on an SCS/AS (see TS 24.250 [61] clause 5.4.2.6.2).
- SCEF receives a RDS MANAGE PORT Response from a UE with a "Status" field set to "Success" in response to a RDS MANAGE PORT command sent by the SCEF with an "Action" field set to "Reserve port" to confirm the reservation of a combination of source and destination port numbers for use for a traffic to be sent by an SCS/AS to a specific application on the UE (see TS 24.250 [61] clause 5.4.2.6.2).
- SCEF returns a RDS MANAGE PORT Response to a UE with a "Status" field set to "Success" in response to a RDS MANAGE PORT command sent by UE with an "Action" field set to "Release port" to confirm the release of a combination of source and destination port numbers for an application on an SCS/AS (see TS 24.250 [61] clause 5.4.2.6.3).
- SCEF receives a RDS MANAGE PORT Response from a UE with a "Status" field set to "Success" in response to a RDS MANAGE PORT command sent by the SCEF with an "Action" field set to "Release port" to confirm the release of a combination of source and destination port numbers for an application on the UE (see TS 24.250 [61] clause 5.4.2.6.3).

Table 7.8.2-2: SCEFPDNConnectionUpdate record

Field name	Value	M/C/O
iMSI	IMSI associated with the Non-IP PDN Connection of the target UE (e.g. as provided by the MME in the associated Connection Management Request).	C
mSISDN	MSISDN associated with the PDN Connection if available.	C
externalIdentifier	External Identifier associated with the PDN Connection if available, defined as NAI in ASN.1.	C
initiator	Initiator of the modification of the PDN Connection, UE, MME or SCEF.	M
rDSSourcePortNumber	RDS source port number.	C
rDSDestinationPortNumber	RDS destination port number.	C
applicationID	Application identifier on the UE or on the SCS/AS if RDS is used.	C
sCSASID	Identifier of the SCS/AS if RDS is used.	C
rDSAction	Action if RDS is used. Possible values: "ReservePort", "ReleasePort".	C
serializationFormat	Data format exchanged between UE and SCS/AS if RDS is used.	C
ePSBearerID	Identity of the EPS bearer that MME allocated to the Non-IP PDN connection (see NOTE below).	M
NOTE: For the backward compatibility purposes the parameter is coded as OPTIONAL in the ASN.1 schema (Annex A).		

7.8.2.1.4 PDN connection release

The IRI-POI in the SCEF/IWK-SCEF shall generate an xIRI containing an SCEFPDNConnectionRelease record when the IRI-POI present in the SCEF/IWK-SCEF detects that a Non-IP PDN Connection needs to be released for the target UE. The IRI-POI present in the SCEF/IWK-SCEF shall generate the xIRI for the following events:

- SCEF/IWK-SCEF informs MME that the Non-IP PDN Connection for NIDD is no longer valid using T6a Connection Management Request with User-Identifier AVP including the set of identities of the UE, i.e. IMSI/MSISDN/External Identifier matching the target Identifier and Connection-Action AVP set to CONNECTION_RELEASE. SCEF initiates the release of the Non-IP PDN connection when it is notified by the HSS about the end of NIDD authorization for the target UE (see TS 29.128 [62] clause 5.8).
- SCEF sends a T6a Connection Management Answer to MME to confirm the T6a Connection Management Request received with User-Identifier AVP including the set of identities of the UE, i.e. IMSI/MSISDN/External Identifier matching the target Identifier and with Action-Action AVP set to CONNECTION_RELEASE (see TS 29.128 [62] clause 5.7).
- SCEF informs IWK-SCEF that the Non-IP PDN Connection for NIDD is no longer valid using T6a Connection Management Request with User-Identifier AVP including the set of identities of the UE, i.e. IMSI/MSISDN/External Identifier matching the target Identifier and Connection-Action AVP set to CONNECTION_RELEASE (see TS 29.128 [62] clause 5.8).
- SCEF sends a T7 Connection Management Answer to IWK-SCEF to confirm the T7 Connection Management Request with User-Identifier AVP including the set of identities of the UE, i.e. IMSI/MSISDN/External Identifier matching the target Identifier and with Action AVP set to CONNECTION_RELEASE (see TS 29.128 [62] clause 5.7).

Table 7.8.2-3: SCEFPDNConnectionRelease record

Field name	Value	M/C/O
iMSI	IMSI associated with the Non-IP PDN Connection of the target UE (e.g. as provided by the MME in the associated Connection Management Request).	C
mSISDN	MSISDN associated with the PDN Connection if available.	C
externalIdentifier	External Identifier associated with the PDN Connection if available, defined as NAI in ASN.1.	C
ePSBearerID	Identity of the EPS bearer that MME allocates to the Non-IP PDN Connection.	M
timeOfFirstPacket	Time of first packet for the PDN Connection.	C
timeOfLastPacket	Time of last packet for the PDN Connection.	C
uplinkVolume	Number of uplink octets for the PDN Connection.	C
downlinkVolume	Number of downlink octets for the PDN Connection.	C
releaseCause	Reason for PDN Connection release.	M

7.8.2.1.5 Unsuccessful procedure

The IRI-POI in the SCEF/IWK-SCEF shall generate an xIRI containing an SCEFUnsuccessfulProcedure record when the IRI-POI present in the SCEF/IWK-SCEF detects an unsuccessful procedure or error condition for a target UE matching one of the target identifiers provided via LI_X1.

Accordingly, the IRI-POI in the SCEF/IWK-SCEF generates the xIRI when any of the following events is detected (see TS 29.128 [62] clause 6.3.3 and TS 24.250 [61] clause 5.4.2.6):

- SCEF sends a T6a Connection Management Answer with Experimental-Result AVP set to DIAMETER_ERROR_USER_UNKNOWN.
- SCEF sends a T6a Connection Management Answer with Experimental-Result AVP set to DIAMETER_ERROR_OPERATION_NOT_ALLOWED when Action AVP of the T6a Connection Management Request received by the SCEF is not set to CONNECTION_ESTABLISHMENT, CONNECTION_UPDATE or CONNECTION_RELEASE.
- SCEF sends a T6a Connection Management Answer with Experimental-Result AVP set to DIAMETER_ERROR_NIDD_CONFIGURATION_NOT_AVAILABLE when Action AVP of the T6a Connection Management Request received by the SCEF is set to CONNECTION_ESTABLISHMENT and the NIDD configuration for the target UE does not exist or fails at SCEF.
- SCEF sends a T6a Connection Management Answer with Experimental-Result AVP set to DIAMETER_ERROR_INVALID_EPS_BEARER when Action AVP of the T6a Connection Management Request received by the SCEF is set to CONNECTION_UPDATE or CONNECTION_RELEASE and the EPS Bearer Identity does not exist.
- SCEF returns a RDS MANAGE PORT Response to a UE with a "Status" field set to "Port not free" in response to a RDS MANAGE PORT command sent by UE with an "Action" field set to "Reserve port".
- SCEF receives a RDS MANAGE PORT Response from a UE with a "Status" field set to "Port not free" in response to a RDS MANAGE PORT command sent by SCEF with an "Action" field set to "Reserve port".
- SCEF returns a RDS MANAGE PORT Response to a UE with a "Status" field set to "Port not associated with specified application" in response to a RDS MANAGE PORT command sent by UE with an "Action" field set to "Release port".
- SCEF receives a RDS MANAGE PORT Response from a UE with a "Status" field set to "Port not associated with specified application" in response to a RDS MANAGE PORT command sent by SCEF with an "Action" field set to "Release port".

Table 7.8.2-4: SCEFUnsuccessfulProcedure record

Field name	Value	M/C/O
failureCause	Cause of unsuccessful procedure.	M
iMSI	IMSI associated with the Non-IP PDN Connection of the target UE (e.g. as provided by the MME in the associated Connection Management Request).	C
mSISDN	MSISDN associated with the PDN Connection if available.	C
iMEI	IMEI associated to the device if available.	C
externalIdentifier	External Identifier associated with the PDN Connection if available, defined as NAI in ASN.1.	C
ePSBearerID	Identity of the EPS bearer that MME allocated to the Non-IP PDN connection.	M
aPN	Access Point Name associated with the target traffic. Shall be given in dotted-label presentation format as described in TS 23.003 [19] clause 9.1 (see NOTE).	M
rDSDestinationPortNumber	RDS destination port number.	C
applicationID	Application identifier associated with the RDS port number.	C
sCSASID	SCS/AS Identifier. If the SCS/AS Identifier is not available, the placeholder value "Unknown" shall be used.	C
NOTE: If the APN is not available, the placeholder value ".unknown." shall be used.		

7.8.2.1.6 Start of interception with established PDN connection

The IRI-POI in the SCEF/IWK-SCEF shall generate an xIRI containing an SCEFStartOfInterceptionWithEstablishedPDNConnection record when the IRI-POI present in the SCEF detects that a Non-IP PDN Connection using SCEF has already been established for the target UE when interception starts.

In a non-roaming scenario, the IRI-POI in the SCEF (or in a roaming scenario, the IRI-POI in the IWK-SCEF in the VPLMN) shall generate the xIRI containing the SCEFStartOfInterceptionWithEstablishedPDNConnection record when it detects that a new interception for a UE is activated (i.e. provisioned by the LIPF) for the following case:

- A PDN connection to the SCEF for the target UE exists, uniquely identified by an EPS Bearer Identity, APN, and UE Identity.

The IRI-POI in the SCEF/IWK-SCEF shall generate the xIRI containing the SCEFStartOfInterceptionWithEstablishedPDNConnection record for each of the PDN Connections for NIDD using SCEF associated with the target UE.

Table 7.8.2-5: SCEFStartOfInterceptionWithEstablishedPDNConnection record

Field name	Value	M/C/O
iMSI	IMSI associated with the Non-IP PDN Connection of the target UE (e.g. as provided by the MME in the associated Connection Management Request).	C
mSISDN	MSISDN associated with the PDN Connection if available.	C
externalIdentifier	External Identifier associated with the PDN Connection if available, defined as NAI in ASN.1.	C
iMEI	IMEI associated to the device if available.	C
ePSBearerID	Identity of the EPS bearer that MME allocated to the Non-IP PDN connection.	M
sCEFID	SCEF identity handling the EPS Bearer.	M
aPN	Access Point Name associated with the target traffic. Shall be given in dotted-label presentation format as described in TS 23.003 [19] clause 9.1.	M
rDSSupport	True if Reliable Data Service is supported in the PDN Connection, otherwise False.	M
sCSASID	String Identifying the SCS/AS the traffic will be delivered to.	M

The IRI-POI present in the SMF generating an xIRI containing a SCEFStartOfInterceptionWithEstablishedPDUSession record shall set the Payload Direction field in the PDU header to *not applicable* (see ETSI TS 103 221-2 [8] clause 5.2.6).

7.8.2.2 Generation of xCC at CC-POI in SCEF over LI_X3

The CC-POI present in the SCEF shall send xCC over LI_X3 for each NIDD packet.

Each X3 PDU shall contain the contents of the user plane packet (i.e. NIDD) using an unstructured payload.

The CC-POI present in the SCEF shall set the payload format to indicate the appropriate payload type (i.e. unstructured payload) as described in ETSI TS 103 221-2 [8] clause 5.4.

7.8.2.3 Generation of IRI over LI_HI2

When an xIRI is received over LI_X2 from the IRI-POI in the SCEF/IWK-SCEF, the MDF2 shall send the IRI message over LI_HI2 without undue delay. The IRI message shall contain a copy of the relevant record received from LI_X2. The record may be enriched by other information available at the MDF (e.g. additional location information).

The ETSI TS 102 232-1 [9] @LI-PS-PDU.pSHeader.timeStamp field shall be set to the time at which the SCEF event was observed (i.e. the timestamp field of the xIRI).

The @LI-PS-PDU.payload.iRIPayloadSequence.iRIType parameter (see ETSI TS 102 232-1 [9] clause 5.2.10) shall be included and coded according to table 7.8.2-6.

Table 7.8.2-6: IRI type for IRI messages

Record type	IRI Type
SCEFPDNConnectionEstablishment	BEGIN
SCEFPDNConnectionRelease	END
SCEFPDNConnectionUpdate	CONTINUE
SCEFStartOfInterceptionWithEstablishedPDNConnection	BEGIN
SCEFUnsuccessfulProcedure	REPORT

IRI messages associated with the same PDU Session shall be assigned the same CIN (see ETSI TS 102 232-1 [9] clause 5.2.4).

The *@LI-PS-PDU.payload.iRIPayloadSequence.iRIContents.threeGPP33128DefinedIRI* field of the LI_HI2 message shall be populated with the BER-encoded *IRIPayload* as described in ETSI TS 102 232-7 [10] clause 15.

7.8.2.4 Generation of CC over LI_HI3

When xCC is received over LI_X3 from the CC-POI in the SCEF, the MDF3 shall populate the ETSI TS 102 232-1 [9] *@LI-PS-PDU.payload.cCPayloadSequence.cCContents.threeGPP33128DefinedCC* field with a *CCPayload.pDU.nIDDCCPDU* and send it over LI_HI3 interface to LEMF without undue delay.

The ETSI TS 102 232-1 [9] *@LI-PS-PDU.pSHheader.timeStamp* field shall be set to the time that the SCEF observed the data (i.e. the timestamp field of the xCC). The LIID and CID fields shall correctly reflect the target identity and communication session to which the CC belongs.

7.8.3 LI for device triggering

7.8.3.1 Generation of xIRI LI_X2 at IRI-POI in SCEF over LI_X2

7.8.3.1.1 General

The IRI-POI present in the SCEF shall send the xIRIs over LI_X2 for each of the events listed in TS 33.127 [5] clause 7.11.3.4, the details of which are described in the following clauses.

7.8.3.1.2 Device trigger

The IRI-POI in the SCEF shall generate an xIRI containing a SCEFDeviceTrigger record when the IRI-POI present in the SCEF detects that an SCS/AS has sent a Device triggering request to a target UE matching one of the target identifiers.

Accordingly, the IRI-POI in the SCEF generates the xIRI when any of the following events is detected:

- SCEF sends a Device triggering response to the SCS/AS to acknowledge the reception of a Device triggering request with MSISDN or External Identifier matching the target identifier (See TS 29.122 [63] clause 5.7).
- SCEF sends a T4 Device-Trigger-Request (DTR) to SM-SC with Trigger-Action AVP set to TRIGGER and User-Identifier AVP matching the IMSI of the target UE as specified in TS 29.337 [60] clause 5.2.1.

Table 7.8.3-1: SCEFDeviceTrigger record

Field name	Value	M/C/O
iMSI	IMSI associated with the UE	C
mSISDN	MSISDN used with the UE	C
externalIdentifier	External Identifier used with the UE	C
triggerId	Identity of the Device trigger that should be provided in the deviceTriggeringDeliveryReportNotification IRI, Device trigger replacement IRI and Device trigger cancellation IRI	M
sCSASID	The SCS/AS sending the Device trigger	M
triggerPayload	The Device triggering payload	C
validityPeriod	The validity time in seconds for the specific action requested	C
priorityDT	The priority of the Device trigger	C
sourcePortId	Application identity on the SCS/AS which delivers the Device trigger	C
destinationPortId	Used to uniquely identify the triggering application addressed in the device	C

7.8.3.1.3 Device trigger replacement

The IRI-POI in the SCEF shall generate an xIRI containing a SCEFDeviceTriggerReplace record when the IRI-POI present in the SCEF detects that an SCS/AS has sent a Device triggering replacement for a previously sent Device triggering request to a UE matching one of the target identifiers provided via LL_X1 to the IRI POI in the SCEF. It replaces a previously submitted Device triggering request which has not yet been delivered to the UE.

Accordingly, the IRI-POI in the SCEF generates the xIRI when any of the following events is detected:

- SCEF receives a Device triggering request (for a Device trigger replacement) from an SCS/AS with MSISDN or External Identifier matching the target identifier (See TS 29.122 [63] clause 5.7).
- SCEF sends a T4 Device-Trigger-Request (DTR) to SM-SC with Trigger-Action AVP set to REPLACE and User-Identifier AVP matching the IMSI of the target UE as specified in TS 29.337 [60] clause 5.2.1.

Table 7.8.3-2: SCEFDeviceTriggerReplace record

Field name	Value	M/C/O
iMSI	IMSI associated with the target UE	C
mSISDN	MSISDN used with the target UE	C
externalIdentifier	External Identifier used with the target UE	C
triggerId	Identity of the corresponding Device trigger to be replaced	M
sCSASID	Identity of the SCS/AS replacing an existing Device trigger which has not been delivered yet to the device (e.g. because the device is unreachable) by a new Device trigger	M
triggerPayload	The device triggering payload	C
validityPeriod	The validity time in seconds for the specific action requested	C
priorityDT	The priority of the device trigger	C
sourcePortId	Port on the SCSAS which delivers the device trigger	C
destinationPortId	Port on the device which is the recipient of the device trigger	C

7.8.3.1.4 Device trigger cancellation

The IRI-POI in the SCEF shall generate an xIRI containing a SCEFDeviceTriggerCancellation record when the IRI-POI present in the SCEF detects that an SCS/AS has sent a Device triggering cancellation for a previously sent Device triggering request to a UE matching one of the target identifiers provided via LL_X1 to the IRI-POI in the SCEF. It cancels previously submitted Device triggering request which has not yet been delivered to the target UE.

Accordingly, the IRI-POI in the SCEF generates the xIRI when any of the following events is detected:

- SCEF receives a Device triggering request (for a device trigger cancellation) from SCS/AS related to a previously received Device triggering request with MSISDN or External Identifier matching the target identifier (See TS 29.122 [63] clause 5.7).
- SCEF sends a T4 Device-Trigger-Request (DTR) to SM-SC with Trigger-Action AVP set to RECALL and User-Identifier AVP matching the IMSI of the target UE as specified in TS 29.337 [60] clause 5.2.1.

Table 7.8.3-3: SCEFDeviceTriggerCancellation record

Field name	Value	M/C/O
iMSI	IMSI associated with the target UE	C
mSISDN	MSISDN used with the target UE	C
externalIdentifier	External Identifier used with the target UE	C
triggerId	Identity of the corresponding device trigger to be cancelled	M

7.8.3.1.5 Device trigger report notification

The IRI-POI in the SCEF shall generate an xIRI containing a SCEFDeviceTriggerReportNotify record when the IRI-POI present in the SCEF detects that the SCEF has returned a Device triggering delivery report notification to the SCS/AS with a cause value indicating the trigger delivery outcome (e.g. succeeded, unknown or failed).

Accordingly, the IRI-POI in the SCEF generates the xIRI when any of the following events is detected:

- SCEF sends a Device triggering delivery report notification to inform the SCS/AS on the delivery outcome of the device trigger (see TS 29.122 [63] clause 5.7).
- SM-SC sends a T4 Delivery-Report-Request (DRR) to the SCEF with User-Identifier matching the IMSI of the target UE as specified in TS 29.337 [60] clause 5.2.2.

Table 7.8.3-4: SCEFDeviceTriggerReportNotify record

Field name	Value	M/C/O
iMSI	IMSI associated with the target UE	M
mSISDN	MSISDN used with the target UE	C
externalIdentifier	External Identifier used with the target UE	C
triggerId	Identity of the corresponding Device trigger	M
deviceTriggerDeliveryResult	Delivery result represents the result of the delivery of a device triggering request: <ul style="list-style-type: none"> - SUCCESS: The value indicates that the device action request was successfully completed. - UNKNOWN: The value indicates any unspecified errors. - FAILURE: The value indicates that this trigger encountered a delivery error and is deemed permanently undeliverable. - TRIGGERED: The value indicates that Device triggering request is accepted by the SCEF. - EXPIRED: The value indicates that the validity period expired before the trigger could be delivered. - UNCONFIRMED: The value indicates that the delivery of the device action request is not confirmed. - REPLACED: The value indicates that the device triggering replacement request is accepted by the SCEF. - TERMINATE: The SCEF includes this value in the response for a successful device triggering cancellation request. The value indicates that the delivery of the device action request is terminated by the SCS/AS. 	M

7.8.3.2 Generation of IRI over LI_HI2

When an xIRI is received over LI_X2 from the IRI-POI in the SCEF, the MDF2 shall send the IRI message over LI_HI2 without undue delay. The IRI message shall contain a copy of the relevant record received from LI_X2. The record may be enriched by other information available at the MDF (e.g. additional location information).

The timestamp field of the ETSI TS 102 232-1 [9] PSHeader structure shall be set to the time at which the SCEF event was observed (i.e. the timestamp field of the xIRI).

Table 7.8.3-5 shows the IRI type (see ETSI TS 102 232-1 [9] clause 5.2.10) to be used for each record type.

Table 7.8.3-5: IRI type for messages

Record type	IRI Type
SCEFDeviceTrigger	REPORT
SCEFDeviceTriggerReplace	REPORT
SCEFDeviceTriggerCancellation	REPORT
SCEFDeviceTriggerReportNotify	REPORT

7.8.4 LI for MSISDN-less MO SMS

7.8.4.1 Generation of xIRI LI_X2 at IRI-POI in SCEF over LI_X2

7.8.4.1.1 General

The IRI-POI present in the SCEF shall send the xIRIs over LI_X2 for each of the events listed in TS 33.127 [5] clause 7.11.4.4, the details of which are described in the following clauses.

7.8.4.1.2 MSISDN-less MO SMS

The IRI-POI in the SCEF shall generate an xIRI containing a SCEFMSISDNLessMOSMS record when the IRI-POI present in the SCEF detects that a target UE has sent a MSISDN-less MO SMS to an SCS/AS.

Accordingly, the IRI-POI in the SCEF generates the xIRI when any of the following events is detected:

- SCEF receives a SGd MO-Forward-Short-Message-Request (OFR) from an SM-SC with IMSI matching the target identifier (see TS 29.338 [59] clause 6.2.1).
- SCEF sends a MsisdnLessMoSmsNotification to the SCS/AS with the External Identifier of the UE sending the MSISDN-less SMS (see TS 29.122 [63] clause 5.15).

Table 7.8.4-1: SCEFMSISDNLessMOSMS record

Field name	Value	M/C/O
iMSI	IMSI associated with the target UE	C
externalIdentifier	External Identifier in the form of username@realm and corresponding to the identity of the originating SMS party	C
terminatingSMSParty	Identity of the SCS/AS receiving the SMS	M
sMS	SMS TPDU	C
sourcePort	port identifying the application of the target UE sending the MSISN-less MO SMS	C
destinationPort	port identifying the application of the SCS/AS which is the recipient of the MSISN-less MO SMS	C

7.8.4.2 Generation of IRI over LI_HI2

When an xIRI is received over LI_X2 from the IRI-POI in the SCEF, the MDF2 shall send the IRI message over LI_HI2 without undue delay. The IRI message shall contain a copy of the relevant record received from LI_X2. The record may be enriched by other information available at the MDF (e.g. additional location information).

The timestamp field of the ETSI TS 102 232-1 [9] PSHeader structure shall be set to the time at which the SCEF event was observed (i.e. the timestamp field of the xIRI).

The IRI type parameter (see ETSI TS 102 232-1 [9] clause 5.2.10) shall be included and coded according to table 7.8.4-2.

Table 7.8.4-2: IRI type for IRI messages

Record type	IRI Type
SCEFMSISDNLessMOSMS	REPORT

7.8.5 LI for parameter provisioning

7.8.5.1 Generation of xIRI LI_X2 at IRI-POI in SCEF over LI_X2

7.8.5.1.1 General

The IRI-POI present in the SCEF shall send the xIRIs over LI_X2 for each of the events listed in corresponding in TS 33.127 [5] clause 7.11.5.4, the details of which are described in the following clauses.

7.8.5.1.2 Communication pattern update

The IRI-POI in the SCEF shall generate an xIRI containing an SCEFCommunicationPatternUpdate record when the IRI-POI present in the SCEF detects that an SCS/AS has updated the Communication pattern data.

Accordingly, the IRI-POI in the SCEF generates the xIRI when any of the following events is detected (See TS 29.122 [63] clause 5.10):

- SCEF receives a request to provision the communication pattern parameters from an SCS/AS related to the target UE (PUT).
- SCEF receives a request to delete the existing communication patterns parameters from an SCS/AS related to the target UE (DELETE).
- SCEF returns a response (200 OK) containing the communication pattern parameters of the target UE to the querying SCS/AS (GET).

Table 7.8.5-1: SCEFCommunicationPatternUpdate record

Field name	Value	M/C/O
mSISDN	MSISDN of the target UE the communication pattern applies to	C
externalIdentifier	External Identifier of the target UE the communication pattern applies to	C
periodicCommunicationIndicator	Identifies whether UE communicates periodically or on demand	O
communicationDurationTime	Indicates for how long the UE will normally stay in CM-Connected for data transmission expressed in seconds	O
periodicTime	Interval Time of periodic communication in seconds	O
scheduledCommunicationTime	Time and day of the week when the UE is available for communication, as defined in TS 29.571	O
scheduledCommunicationType	Indicates that the Scheduled Communication Type is Downlink only or Uplink only or Bi-directional	O
stationaryIndication	Identifies whether the UE is stationary or mobile	O
batteryIndication	Identifies power consumption criticality for the UE: if the UE is battery powered but the battery is not rechargeable/not replaceable, battery powered with rechargeable/replaceable battery, or not battery powered.	O
trafficProfile	Identifies the type of data transmission: single packet transmission (UL or DL), dual packet transmission (UL with subsequent DL or DL with subsequent UL), multiple packets transmission	O
expectedUEMovingTrajectory	Identifies the UE's expected geographical movement	O
expectedTimeAndDayOfWeekInTrajectory	Identifies the time and day of week when the UE is expected to be at each location included in the Expected UE Moving Trajectory	O
sCSASID	SCS/AS identity requesting communication pattern update	M
validityTime	Identifies when the expected UE behaviour parameter set expires and shall be deleted. If absent, it indicates that there is no expiration time for this parameter set	O

7.8.5.2 Generation of IRI over LI_HI2

When an xIRI is received over LI_X2 from the IRI-POI in the SCEF, the MDF2 shall send the IRI message over LI_HI2 without undue delay. The IRI message shall contain a copy of the relevant record received from LI_X2. The record may be enriched by other information available at the MDF (e.g. additional location information).

The timestamp field of the ETSI TS 102 232-1 [9] PSHeader structure shall be set to the time at which the SCEF event was observed (i.e. the timestamp field of the xIRI).

The IRI type parameter (see ETSI TS 102 232-1 [9] clause 5.2.10) shall be included and coded according to table 7.8.5-2.

Table 7.8.5-2: IRI type for IRI messages

Record type	IRI Type
SCEFCommunicationPatternUpdate	REPORT

7.8.6 LI for AS session with QoS

7.8.6.1 Generation of xIRI at IRI-POI in SCEF over LI_X2

7.8.6.1.1 General

The IRI-POI present in the SCEF shall send the xIRIs over LI_X2 for each of the events listed in TS 33.127 [5] clause 7.11.6.4, the details of which are described in the following clauses.

7.8.6.1.2 AS session with QoS provision

The IRI-POI in the SCEF shall generate an xIRI containing a SCEFASSessionWithQoSProvision record when the IRI-POI present in the SCEF detects that an SCS/AS has requested the SCEF to provide, update or revoke a specific QoS for an AS session.

Accordingly, the IRI-POI in the SCEF generates the xIRI when any of the following events is detected (see TS 29.122 [63] clause 5.14):

- SCEF returns an On-demand QoS Response in response to On-demand QoS Request received from an SCS/AS to create (POST)/update (PUT or PATCH)/revoke (DELETE) a specific QoS for an AS session related to a target UE.

Table 7.8.6.1.2-1: SCEFASessionWithQoSProvision record

Field name	Value	M/C/O
mSISDN	MSISDN of the target UE the AS session with required QoS applies to, if available (see NOTE).	C
externalIdentifier	External Identifier of the target UE the AS session with required QoS applies to, if available (see NOTE).	C
sCSASID	SCS/AS identity requesting AS session with required QoS.	M
aSSessionWithQoSOpType	Type of operation for AS session with required QoS: POST to provision, PUT and PATCH to update and DELETE to revoke.	M
aSSessionWithQoSSubscription	Includes an ASessionWithQoSSubscription resource according to TS 29.122 [63] clause A.14. The SBIReference for this parameter shall be populated with 'TS29122_AsSessionWithQoS.yaml#/components/schemas/AsSessionWithQoSSubscription'. Present only if the aSSessionWithQoSOpType is set to "POST" or "PUT".	C
aSSessionWithQoSSubscriptionPatch	Includes a ASessionWithQoSSubscriptionPatch resource according to TS 29.122 [63] clause A.14. The SBIReference for this parameter shall be populated with 'TS29122_AsSessionWithQoS.yaml#/components/schemas/AsSessionWithQoSSubscriptionPatch'. Present only if the aSSessionWithQoSOpType is set to "PATCH".	C
aSSessionWithQoSResponseCode	Identifies the response code associated to the ASessionWithQoS operation executed by the SCEF.	M
NOTE: At least one of the MSISDN or External Identifier fields shall be present.		

7.8.6.1.3 AS session with QoS notification

The IRI-POI in the SCEF shall generate an xIRI containing a SCEFASessionWithQoSNotification record when the IRI-POI present in the SCEF detects that the SCEF has notified the SCS/AS about changes in the transmission resource status of the AS session.

Accordingly, the IRI-POI in the SCEF generates the xIRI when any of the following events is detected (see TS 29.122 [63] clause 5.14):

- SCEF receives a Status information Response in response to Status information Request (POST) sent to SCS/AS to notify changes in the transmission resource status of an AS session associated with the target UE.

Table 7.8.6.1.3-1: SCEFASessionWithQoSNotification record

Field name	Value	M/C/O
mSISDN	MSISDN of the target UE the AS session with required QoS applies to, if available (see NOTE).	C
externalIdentifier	External Identifier of the target UE the AS session with required QoS applies to, if available (see NOTE).	C
userPlaneNotificationData	Includes a userPlaneNotificationData resource according to TS 29.122 [63] clause A.14. The SBIReference for this parameter shall be populated with 'TS29122_AsSessionWithQoS.yaml#/components/schemas/UserPlaneNotificationData'.	M
aSSessionWithQoSResponseCode	Identifies the response code returned by SCS/AS associated to the ASessionWithQoS notification sent by SCEF to SCS/AS.	M
NOTE: At least one of the MSISDN or External Identifier fields shall be present.		

7.8.6.2 Generation of IRI over LI_HI2

When an xIRI is received over LI_X2 from the IRI-POI in the SCEF, the MDF2 shall send the IRI message over LI_HI2 without undue delay. The IRI message shall contain a copy of the relevant record received from LI_X2. The record may be enriched by other information available at the MDF (e.g. additional location information).

The timestamp field of the ETSI TS 102 232-1 [9] PSHeader structure shall be set to the time at which the SCEF event was observed (i.e. the timestamp field of the xIRI).

The IRI type parameter (see ETSI TS 102 232-1 [9] clause 5.2.10) shall be included and coded according to table 7.8.6.2-1.

Table 7.8.6.2-1: IRI type for IRI messages

Record type	IRI Type
SCEFASessionWithQoSProvision	REPORT
SCEFASessionWithQoSNotification	REPORT

7.9 LI for services encrypted by CSP-provided keys

7.9.1 LI for general AKMA-based service

7.9.1.1 General

This clause describes basic IRI-intercept for a generic, encrypted service between a target UE and an application in the CSP network, making use of AKMA-provided cryptographic keys according to TS 33.535 [65].

7.9.1.2 Provisioning over LI_X1

7.9.1.2.1 General

The IRI-POI in the AAnF (AKMA Anchor Function), the IRI-TF in the AAnF, and the MDF2 shall be provisioned.

Details of provisioning of an IRI-POI at a network internal AF (Application Function) making use of AKMA services of the AAnF is in general service specific and not part of the present clause. Generally, triggering, rather than provisioning, could in some cases be necessary for the AF. An application independent generic triggering mechanism is defined in clause 7.9.1.2.3.

Provisioning of CC-intercept at the AF is service specific and not covered in the present document.

7.9.1.2.2 Provisioning of the IRI-POI and IRI-TF in AAnF

The IRI-POI and IRI-TF present in the AAnF are provisioned over LI_X1 by the LIPF using the X1 protocol as described in clause 5.2.2.

The IRI-POI and IRI-TF in the AAnF shall support the following target identifier formats:

- SUPI, given in either SUPIIMSI or SUPINAI formats as defined in ETSI TS 103 120 [6] clause C.2.

Table 7.9.1.2-1 shows the minimum details of the LI_X1 ActivateTask message used for provisioning the IRI-POI and IRI-TF in the AAnF.

Table 7.9.1.2-1: ActivateTask message for the IRI-POI and IRI-TF in the AAnF

ETSI TS 103 221-1 [7] field name	Description	M/C/O
XID	XID assigned by LIPF.	M
TargetIdentifiers	One of the target identifiers listed in the paragraph above.	M
DeliveryType	Set to "X2Only".	M
ListOfDIDs	Delivery endpoints for LI_X2 for the IRI-POI in the AMF. These delivery endpoints are configured using the CreateDestination message as described in ETSI TS 103 221-1 [7] clause 6.3.1 prior to the task activation.	M

7.9.1.2.3 Triggering of the IRI-POI in AF

The IRI-POI present in the AF shall be triggered by the IRI-TF present in the AAnF over LI_T2 using the X1 protocol as described in clause 5.2.2. An AAnF can provide services for several different types of applications. Triggering could be service/application specific, which can effect whether or not certain conditional fields are included in the xIRI described in clause 7.9.1.4 below.

For all AFs a priori known to match the scope of the warrant, when the IRI-TF in the AAnF detects that an A-KID has been associated with a SUPI (see clause 7.9.1.3.2), it shall send an ActivateTask message to the IRI-POI present in the AF. The same shall apply if the AAnF detects that the A-KID of a target changes due to primary authentication. For AFs not a priori known at the AAnF, the ActivateTask message shall instead be sent when the IRI-TF in the AAnF detects that the AF performs an AKMA application key get associated with the A-KID. The ActivateTask message shall contain at least the following information.

NOTE: AFs providing services based on SUPI could, as an alternative to triggering, be directly provisioned by the LIPF as part of service-specific provisioning. This is however outside the scope of the present document.

Table 7.9.1.2-2: ActivateTask message for triggering the IRI-POI in the AF

ETSI TS 103 221-1 [7] field name	Description	M/C/O
XID	Allocated by the IRI-TF as per ETSI TS 103 221-1 [7].	M
TargetIdentifiers	A-KID associated with the AKMA Anchor Key (see table 7.9.1.3-3 below).	M
DeliveryType	Set to "X2Only".	M
ListOfDIDs	Delivery endpoints for LI_X2. These delivery endpoints shall be configured by the IRI-TF in the SMF using the CreateDestination message as described in ETSI TS 103 221-1 [7] clause 6.3.1 prior to first use.	M
implicitDeactivationAllowed	Shall be set to "True".	M
ProductID	Shall be set to the XID of the Task Object associated with the interception at the CC-TF. This value shall be used by the CC-POI in the UPF to fill the XID of X3 PDUs.	M

Table 7.9.1.2-3: Target Identifier Types for LI_T3

Identifier type	Owner	ETSI TS 103 221-1 [7] TargetIdentifier type	Definition
A-KID	3GPP	TargetIdentifierExtension / AKID.	AKID (see XSD schema)

When the IRI-POI present in the AF detects that a UE has requested the use of a targeted A-KID, it shall continue to generate xIRI events for that A-KID until it detects that the UE has requested the use of a different A-KID, at which point it shall implicitly deactivate the previous Task. In addition, the AAnF may at any time issue a DeactivateTask message against the Task, at which point the AF shall cease interception of the A-KID and remove the Task as per ETSI TS 103 221-1 [7] clause 6.2.3.

7.9.1.3 Generation of xIRI at IRI-POI in AAnF over LI_X2

7.9.1.3.1 General

The IRI-POI present in the AAnF shall send the xIRIs over LI_X2 for each of the events listed in TS 33.127 [5] clause 7.15.3.1.4, the details of which are described in the following clauses.

7.9.1.3.2 AAnF Anchor Key Register

The IRI-POI in the AAnF shall generate an xIRI containing an AAnFAnchorKeyRegister record when the IRI-POI present in the AAnF detects reception of an AKMA-context, i.e. an (A-KID, K_{AKMA})-pair associated with a target, from the AUSF, see TS 33.535 [65] clause 7.1.2.

Table 7.9.1.3-1: AAnFAncorKeyRegister record

Field name	Value	M/C/O
aKID	AKMA Anchor Key Identifier (see TS 33.535 [65] clause 4.4.2).	M
SUPI	SUPI associated with the A-KID.	M
kAKMA	AKMA Anchor Key (see TS 33.535 [65] clause 5.1). Shall be included if available NOTE: Whether kAKMA is included could also depend on whether provisioning is general or service specific.	C

7.9.1.3.3 AAnF AKMA application key get

The IRI-POI in the AAnF shall generate an xIRI containing an AAnFAKMAApplicationKeyGet record when the IRI-POI present in the AAnF detects an AKMA application key get from an AF (directly or via NEF), see TS 33.535 [65] clauses 7.1.3 and 7.3.1.

Table 7.9.1.3-2: AAnFKAKMAApplicationKeyGet record

Field name	Value	M/C/O
Type	Indicates whether the AF requesting the key is internal to the network or external.	M
aKID	AKMA Anchor Key Identifier.	M
keyInfo	Key information for the requested derived AF-specific key (see table 7.9.1.3-3).	M

Table 7.9.1.3-3: AFKeyInfo structure

Field name	Value	M/C/O
aFID	AKMA AF identifier of the AF associated with the derived AF-specific key.	M
kAF	Derived AF-specific key (see TS 33.535 [65] clauses 5.1 and A.4).	M
kAFExpTime	Expiry time associated with the derived AF-specific key.	M

7.9.1.3.4 AAnF Start of intercept with established AKMA key material

The IRI-POI in the AAnF shall generate an xIRI containing an AAnFStartOfInterceptWithEstablishedAKMAKeyMaterial record when the IRI-POI present in the AAnF detects that interception is activated on a target UE that has already established AKMA key material. The IRI-TF in the AAnF shall also trigger the IRI-POI of AFs within the scope of the warrant as described in clause 7.9.1.2.3.

Table 7.9.1.3-4: AAnFStartOfInterceptWithEstablishedAKMAKeyMaterial record

Field name	Value	M/C/O
aKID	AKMA Anchor Key Identifier (currently valid).	M
kAKMA	AKMA Anchor Key associated with aKID.	C
aFKeyList	List of all available (aFID, kAF, kAFExpTime)-tuples which are available, have not expired and complies with provisioning.	C

7.9.1.3.5 AAnF AKMA context removal

The IRI-POI in the AAnF shall generate an xIRI containing an AAnFAKMAContextRemovalRecord when the IRI-POI present in the AAnF receives a request from an NF to delete AKMA context, see TS 33.535 [65] clause 7.1.4.

Table 7.9.1.3-5: AAnFAKMAContextRemovalRecord record

Field name	Value	M/C/O
aKID	AKMA Anchor Key Identifier.	M
nFInstanceID	Identity of NF originating the request encoded as per TS 29.571 [17] clause 5.3.2.	M

7.9.1.4 Generation of xIRI at IRI-POI in AF over LI_X2

7.9.1.4.1 General

The IRI-POI present in the AF shall send the xIRIs over LI_X2 for each of the events listed in TS 33.127 [5] clause 7.15.3.1.4, the details of which are described in the following clauses.

7.9.1.4.2 AF Application key refresh

The IRI-POI in the AF shall generate an xIRI containing an AFAKMAApplicationKeyRefresh record when the IRI-POI present in the AF detects that a K_{AF} -key previously obtained from an AAnF is being locally refreshed by the Ua* security protocol in use, see TS 33.535 [65] clause 6.4.3.

Table 7.9.1.4-1: AFAKMAApplicationKeyRefresh record

Field name	Value	M/C/O
aFID	AKMA AF identifier.	M
aKID	AKMA Anchor Key Identifier.	M
kAF	New value of the AF-specific key, after refresh.	M
uaStarParams	Set of new Ua* security protocol parameters associated with kAF, if updated.	C

7.9.1.4.3 AF Start of intercept with established AKMA application key

The IRI-POI in the AF shall generate an xIRI containing an AFStartOfInterceptWithEstablishedAKMAApplicationKey record when the IRI-POI present in the AF detects interception is being triggered on a target UE that has already established AKMA application key.

Table 7.9.1.4-2: AFStartOfInterceptWithEstablishedAKMAApplicationKey record

Field name	Value	M/C/O
aFFQDN	FQDN-part of AKMA AF identifier.	M
aKID	AKMA Anchor Key Identifier.	M
kAFParamList	List of all available all AFSecurityParams (see table 7.9.1.4-3) which have not expired and where the Ua* security protocol parameters corresponds to the set of security parameters used on the Ua* security protocol instance associated with K_{AF} , see TS 33.127 [5] clause 7.9.3.1.5. NOTE: At least one such tuple exists when this event occurs.	M

Table 7.9.1.4-3: AFSecurityParams structure

Field name	Value	M/C/O
aFID	AF identifier.	M
aKID	AKMA Anchor Key Identifier.	M
kAF	AKMA derived AF-specific key associated with aKID and Ua* security protocol.	M
uaStarParams	Set of Ua* security protocol parameters after complete establishment/update. NOTE: Generic and TLS 1.2 [66] specific formats are provided in Annex A.	M

7.9.1.4.4 AF Auxiliary security parameter establishment

The IRI-POI in the AF shall generate an xIRI containing an AFAuxiliarySecurityParameterEstablishment record when the IRI-POI present in the AF detects that security parameters for the Ua* security protocol in use have been established with the target UE, or, when they have been updated without the associated AKMA application key having been refreshed according to clause 7.9.1.4.3.

Table 7.9.1.4-4: AFAuxiliarySecurityParameterEstablishment record

Field name	Value	M/C/O
aFSecurityParams	Auxiliary security parameters established (see table 7.9.1.4-3).	M

7.9.1.4.5 AF Application key removal

The IRI-POI in the AF shall generate an xIRI containing an AFApplicationKeyRemoval record when the IRI-POI present in the AF detects that an AKMA-derived AF-specific key is deleted or otherwise decommissioned.

Table 7.9.1.4-5: AFApplicationKeyRemoval record

Field name	Value	M/C/O
aFID	AF identifier.	M
aKID	AKMA Anchor Key Identifier associated with removed key.	M
removalCause	Reason for the removal of the application key.	M

7.9.1.5 Generation of IRI over LI_HI2

When an xIRI is received over LI_X2 from the IRI-POI in the AAnF or AF, the MDF2 shall send the IRI message over LI_HI2 without undue delay. The IRI message shall contain a copy of the relevant record received from LI_X2. The record may be enriched by other information available at the MDF2.

The timestamp field of the ETSI TS 102 232-1 [9] PSHeader structure shall be set to the time at which the AAnF/AF event was observed (i.e. the timestamp field of the xIRI).

Table 7.9.1.5-1 shows the IRI type (see ETSI TS 102 232-1 [9] clause 5.2.10) to be used for each record type.

Table 7.9.1.5-1: IRI type for AAnF originated messages

Record type	IRI Type
AAnFAnchorKeyRegister	BEGIN
AAnFKAKMAApplicationKeyGet	CONTINUE
AAnFStartOfInterceptWithEstablishedAKMAKeyMaterial	BEGIN
AAnFAKMAContextRemovalRecord	END

IRI messages associated with the same A-KID from the same AAnF shall be assigned the same CIN.

Table 7.9.1.5-2: IRI type for AF originated messages

Record type	IRI Type
AFAKMAApplicationKeyRefresh	CONTINUE
AFStartOfInterceptWithEstablishedAKMAApplicationKey	BEGIN
AFAuxiliarySecurityParameterEstablishment	CONTINUE
AFApplicationKeyRemoval	END

IRI messages associated with the same AKID from the same AF shall be assigned the same CIN.

7.10 LI in VPLMN for IMS-based services with home-routed roaming

7.10.1 Background

Clause 7.10 defines protocol and procedures to support the LI in the VPLMN for IMS-based services with home-routed roaming architecture where IMS signalling (e.g. CSCFs) and media functions (e.g. IMS-AGW) are in the HPLMN. The scope of LI functions defined here are the following in the VPLMN:

- IMS-based voice services.
- SMS over IP.

For IMS-based voice services and the SMS over IP, the target can be an inbound roaming UE or a non-local ID.

As defined in TS 33.127 [5] clause 7.4.7.4.2, LMISF-IRI, LMISF-CC, BBIFF-C and BBIFF-U handle the LI in the VPLMN for IMS-based services with home routed roaming architecture.

NOTE 1: When N9 is the interface between the two PLMNs for the user plane data, the LI architecture is referred to as N9HR LI. With N9HR LI, the BBIFF-C is present in the SMF and the BBIFF-U is present in the UPF.

NOTE 2: When S8 is the interface between the two PLMNs for the user plane data, the LI architecture is referred to as S8HR LI. With S8HR LI, the BBIFF-C and BBIFF-U are combined into BBIFF and is present in the SGW. When SGW is deployed with CUPS, the S8U is the interface between the two PLMNs for the user plane data and in this case, the BBIFF-C is present in the SGW-C and BBIFF-U is present in the SGW-U.

This clause uses the term "HR LI" in referring to the common functions associated with the N9HR LI and S8HR LI collectively.

The HR LI includes two phases of LI processing with the following scope:

- Phase 1 - Initial configuration and target checking, applies to all in-bound roaming UEs with home-routed roaming and using IMS-based services. A specific APN or DNN to which HR LI is applicable may also be configured. No interception is done in this phase.
- Phase 2 - Applies to specific target UEs or UEs in communication with a target non-local ID. Interception is done in this phase.

The details of the above two phases of LI processes are described in TS 33.127 [5] clause 7.4.7.4.11.

7.10.2 Backward compatibility

The present document provides two options for stage 3 definitions for implementing S8HR LI:

- Use LI_X1, LI_X2 and LI_X3 interfaces specified below in the present document.
- Use TS 33.107 [36] natively as defined in that document.

In both cases, the present document specifies the stage 3 for the LI_HI1 and LI_HI2 interfaces. Only the first option indicated above is used for N9HR LI.

7.10.3 HR LI Phase 1

7.10.3.1 Overview

The Phase-1 of HR LI that applies to all inbound roaming UEs with home-routed roaming using the IMS-based services include the functions that revolve around the following interfaces (see TS 33.127 [5]):

- LI_X1: Used by the LIPF to provision the BBIFF-C/BBIFF and optionally, the LMISF-IRI to enable the same for HR LI (aka initial configuration of HR LI).
- LI_T3: Used by the BBIFF-C to instruct the BBIFF-U to capture and deliver the IMS signalling related user plane packets of inbound roaming UEs to the LMISF-IRI.
- LI_X2_LITE: Used by the BBIFF-C/BBIFF to carry the control plane information (e.g. packet data connection related notifications, UE location) to LMISF-IRI for inbound roaming UEs.
- LI_X3_LITE_S: Used by the BBIFF-U/BBIFF to forward the IMS signalling related user plane packets of inbound roaming UEs to the LMISF-IRI.

The triggering interface LI_T3 is not used in the case of BBIF in SGW. The LI_X3_LITE_S is also used in HR LI Phase-2.

The LI_X2_LITE shall be realized using the X2 protocol as defined in ETSI TS 103 221-2 [8]. Likewise, the LI_X3_LITE_S and LI_X3_LITE_M shall be realized using the X3 protocol as defined in ETSI TS 103 221-2 [8].

The functions above may be limited to a specific APN or DNN included in the related interfaces, in order to allow a specific LMISF to handle an identified set of APNs/DNNs.

7.10.3.2 Provisioning over LI_X1

7.10.3.2.1 General

For Phase-1 of HR LI, the following LI functions are provisioned over LI_X1 by the LIPF using the X1 protocol defined in ETSI TS 103 221-1 [7] with the LIPF playing the role of ADMF and the following LI functions playing the role of NE as per the reference model depicted in ETSI TS 103 221-1 [7]:

- BBIF-C present in the SMF.
- BBIF-C present in the SGW-C.
- BBIF present in the SGW.
- LMISF-IRI.

As described in clause 7.10.1, the Phase-1 of HR LI applies to all inbound roaming UEs that use the IMS-based services with home-routed roaming, possibly for a given APN or DNN. The target identities "HR" and "IMSSignaling" are used for Phase-1 of HR LI.

7.10.3.2.2 Provisioning of BBIF-C and BBIF

The minimum details of LI_X1 ActivationTask message is shown in table 7.10.3.2-2.

Table 7.10.3.2-1: Void

Table 7.10.3.2-2: ActivateTask message for activating BBIF-C and BBIF

ETSI TS 103 221-1 field name	Description	M/C/O
XID	Shall be set to a value assigned by the LIPF. This shall be same as the XID used for ActivateTask as shown in table 7.10.3.2-4 when LMISF-IRI is configured using the ActivateTask.	M
TargetIdentifiers	Shall contain Target Identifiers of type "HR" and "IMSSignaling" (see table 7.10.3.2-3). It may include an APN or a DNN.	M
DeliveryType	Set to "X2andX3".	M
ListOfDIDs	Shall give the DID of the LMISF-IRI to which the xIRI and xCC should be delivered respectively. The delivery endpoints are configured using the CreateDestination message as described in ETSI TS 103 221-1 [7] clause 6.3.1 prior to the task activation. Separate delivery endpoints for xIRI and xCC should be configured.	M

Table 7.10.3.2-3: Target Identifier Type for enabling HR LI

Identifier type	ETSI TS 103 221-1 [7] TargetIdentifier type	Definition
HR	TargetIdentifierExtension /HR	Empty tag (see XSD schema)
IMSSignalling	TargetIdentifierExtension/IMSSignalling	Empty tag (see XSD schema)
APN	TargetIdentifierExtension/APN	UTF-8 string (see XSD schema)
DNN	TargetIdentifierExtension/DNN	UTF-8 string (see XSD schema)

7.10.3.2.3 Provisioning of LMISF-IRI

The LMISF-IRI is listed as the delivery endpoint over LI_X2_LITE for xIRI generated by the BBIFF-C/BBIFF and for the xCC generated by the BBIFF-U/BBIFF.

The provisioning of LMISF-IRI is to enable it to receive the xIRIs and xCC sent from the BBIFF-C (SMF, SGW-C), BBIFF-U (UPF, SGW-U) and BBIFF (SGW). As an alternate deployment option, LMISF-IRI may be presumed to be enabled to receive such xIRI/xCC by default. This clause does not apply to such alternate deployment option.

Table 7.10.3.2-4 shows the minimum details of the LI_X1 ActivateTask message used for provisioning the LMISF-IRI for Phase-1.

Table 7.10.3.2-4: ActivateTask message for activating the LMISF-IRI for Phase-1

ETSI TS 103 221-1 field name	Description	M/C/O
XID	Shall be set to a value assigned by the LIPF. This shall be same as the XID used for ActivateTask as shown in table 7.10.3.2-2.	M
TargetIdentifiers	Shall contain Target Identifiers of type "HR" and "IMSSignalling" (see table 7.10.3.2-3). It may include an APN or a DNN (see NOTE).	M
DeliveryType	Set to "X2andX3". LMISF-IRI shall use this only to enable the receiving of xIRI and xCC from the BBIFF-C/BBIFF.	M
ListOfDIDs	Shall be given as an empty list, since DIDs are not required in LMISF-IRI for Phase-1.	M
NOTE: The APN or DNN may be included only for the LMISF-IRI that is provisioned as the destination end point for the BBIFFs with the same APN/DNN.		

7.10.3.3 Generation of xIRI over LI_X2_LITE

7.10.3.3.1 General

LI_X2_LITE is an interface between the BBIFF-C/BBIFF to the LMISF-IRI. The xIRIs are generated at the BBIFF-C/BBIFF and are sent over LI_X2_LITE interface to the LMISF-IRI. These xIRIs are applicable to HR LI Phase-1 only.

For N9HR LI, the BBIFF-C present in the SMF shall generate the xIRIs as described in clause 7.10.3.3.2. For S8HR LI, the BBIFF-C present in the SGW-C and BBIFF present in the SGW shall generate the xIRIs as defined in clause 7.10.3.3.3.

The xIRIs are generated only when the following prior conditions are met:

- ActivateTask with target identity "HR" and "IMSSignalling" is received with X2 being included in the delivery type.
- If the received ActivateTask doesn't include an APN or a DNN, the MCC + MNC of the Operator Identifier field of the DNN (for N9HR) or APN (for S8HR) is different from the MCC+MNC configured in the SMF (N9HR) or SGW-C/SGW (S8HR) - see TS 29.502 [16] clause 6.1.6.2.2 and 23.003 [19] clause 9.1.2.
- If the received ActivateTask doesn't include an APN or a DNN, the Network Identifier field of DNN (for N9HR) or APN (for S8HR) contains "IMS" (IMS services) - see GSMA IR.88 [67].
- If the received ActivateTask includes an APN or a DNN, the APN (for S8HR) or the DNN (for N9HR) used for the IMS-based service matches the APN or the DNN in the ActivateTask.

The first point is indicating that HR LI is enabled (see clause 7.10.3.2.2). The second point is telling that the UE is an inbound roamer with home-routed based roaming. The third point is telling that the PDU session/PDN connection is for IMS services.

7.10.3.3.2 N9HR LI

The BBIFF-C present in the SMF shall generate the following xIRI when the prior conditions defined in clause 7.10.3.3.1 are met:

- N9HRPDUSessionInfo.

The main purpose of the xIRI is to report the UE location, PDU session ID and the SMF identity. The scenarios that result in the above xIRI are listed below and apply to all inbound roaming UEs with home-routed roaming and using IMS services:

- PDU session is established with the creation of a default QoS flow for IMS signalling.
- PDU session is modified with the creation of a dedicated QoS flow used for IMS media.
- PDU session is modified with the updates to the QoS flow.
- PDU session is modified with the deleting of dedicated QoS flow used for IMS media.
- PDU session is deleted.
- MA PDU session is created, modified or deleted.
- SMF relocation.
- New UE location due to UE requested or network initiated service request.
- New UE location due to hand-over situations including EPS to 5GS handover.
- New UE location due to tracking area updates or routing area updates.
- New SMF from the SMF set is taking over the PDU session.
- HR LI is enabled with an established PDU session.

In case the BBIF-C was provisioned for a specific DNN, the xIRI shall be generated only when the provisioned DNN is involved.

The exact trigger for the xIRI is subject to implementation, however, the following can be used as a general guidance along with observing the prior conditions listed in clause 7.10.3.3.1:

- SMF receives the Nsmf_PDU_Session_Create response message with n1SmInfoToUe IE containing the PDU SESSION ESTABLISHMENT ACCEPT (see TS 29.502 [16]) from the H-SMF and sends the NAS message (via AMF) PDU SESSION ESTABLISHMENT ACCEPT to the UE as a part of PDU session establishment procedures. This may also happen with MA PDU session establishment procedures, or during handover procedures with access type change, or as a part of SMF relocation procedures.
- SMF receives an Nsmf_PDUSession_UpdateSMContext request from the AMF with a new UE location. This may happen whenever a PDU session or a MA PDU session is modified with the addition, modification or deletion of a dedicated QoS flow. This may also happen for UE-initiated or network-initiated service request procedures, or as a part of the handover procedures, or as a part of the tracking area update procedures.
- When a new SMF (e.g. in the SMF set) takes over the control for the PDU session.
- When an ActivateTask is received from the LIPF over LI_X1 (see clause 7.10.3.2.2) to enable the HR LI, the BBIF-C present in the SMF detects that a PDU session for IMS services is already established for an inbound roaming UE with home-routed roaming.

NOTE: The sending of xIRI for each already established PDU session may result in a significant number of xIRI messages from the BBIF-C to the LMISF-IRI.

The contents of xIRI N9HRPDUSessionInfo record is shown in table 7.10.3.3-1 below.

Table 7.10.3.3-1: Payload of N9HRPDUSessionInfo record

Field name	Description	M/C/O
sUPI	SUPI associated with the PDU session (e.g. as provided by the AMF in the associated Nsmf_PDU Session_CreateSMContext service operation).	M
pEI	PEI associated with the PDU session, if available.	C
pDUSessionID	PDU Session ID. See TS 24.501 [13] clause 9.4.	M
location	UE location information provided by the AMF.	C
sNSSAI	Slice identifiers associated with the PDU session, if available. See TS 23.003 [19] clause 28.4.2 and TS 23.501 [2] clause 5.12.2.2.	C
dNN	Data Network Name associated with the UE traffic, as defined in TS 23.003[19] clause 9A and described in TS 23.501 [2] clause 4.3.2.2. Shall be given in dotted-label presentation format as described in TS 23.003 [19] clause 9.1.	C
messageCause	Included to indicate why the xIRI is generated (see table 7.10.3.3-2).	M

Table 7.10.3.3-2: messageCause details

Field name	Description
pDUSessionEstablished	Indicates that the PDU session is established.
pDUSessionModified	Indicates that the PDU session is being modified.
pDURelaxed	Indicates that the PDU session is being released.
updatedLocationAvailable	Indicates that an updated UE location is available
sMFChanged	Indicates that the SMF that is handling the PDU session is changed.
other	Indicates that cause is other than those listed elsewhere in this table.
hRLIEnabled	Indicates that the HR LI is enabled after the PDU session for IMS services is established.

The xIRIs shall include the Network Function ID (NFID), a conditional attribute field as defined in ETSI TS 103 221-2 [8], with the V-SMF identity.

Handling of this xIRI within the LMISF-IRI is described in clause 7.10.3.4.

7.10.3.3.3 S8HR LI

The BBIFF-C present in the SGW-C and BBIFF present in the SGW shall generate the following xIRI for the purpose of S8HR LI when the prior conditions defined in clause 7.10.3.3.1 are met:

- S8HRBearerInfo.

The main purpose of the xIRI is to report the UE location and the SGW/SGW-C identity to the LMISF-IRI. This xIRI is generated for the following scenarios that apply to all inbound roaming UEs with home-routed roaming and using IMS services:

- PDN connection is established with the creation of a default bearer for IMS signalling.
- Dedicated bearer is activated for the for IMS media.
- Dedicated bearer is updated for IMS media.
- Dedicated bearer is deactivated for IMS media.
- PDN is disconnected.
- SGW-C/SGW relocation.
- New UE location due to UE requested or network initiated service request.
- New UE location due to hand-over situations including 5GS to EPS handover.
- New UE location due to tracking area updates or routing area updates.
- HR LI is enabled with an established PDN connection with the creation of a default bearer.

In case the BBIFF-C was provisioned for a specific APN, the xIRI shall be generated only when the provisioned APN is involved.

The exact trigger for the xIRI is subject to implementation, however, the following can be used as a general guidance observing the prior conditions listed in clause 7.10.3.3.1:

- SGW-C/SGW receives a Create Session Response from the PGW-C/PGW and forwards the same to the MME as a part of PDN connection establishment procedures that creates the default bearer used for IMS signalling or as a part of the handover procedures that results in the SGW-C/SGW relocation or 5GS to EPS relocation.
- SGW-C/SGW receives a Create Session Response from the MME and forwards the same to the PGW-C/PGW as a part of dedicated bearer activation procedure on a PDN connection used for IMS media.
- SGW-C/SGW receives an Update Bearer Response from MME and forwards the same to the PGW-C/PGW as a part of bearer update procedures with or without the bearer update QoS.
- SGW-C/SGW receives a Delete Bearer Response from MME and forwards the same to the PGW-C/PGW as a part of bearer deactivation procedure.
- SGW-C/SGW receives a Delete Session Request from the MME and forwards the same to the PGW-C/PGW as a part of PDN disconnection procedures. The procedures potentially have the last known UE location.
- SGW-C/SGW receives a Create Session Request from the MME and sends a Modify Bearer Request to the PGW-C/PGW as a part of tracking area/routing area update procedures with a change of SGW-C/SGW. The procedures potentially have a new UE location.
- SGW-C/SGW receives a Modify Bearer Request from the MME and sends the same to the PGW-C/PGW as a part of Service Request handling procedures, or hand-over procedures, or tracking area/routing area update procedures without a change in the SGW-C/SGW. The procedures potentially have a new UE location.
- When an ActivateTask is received from the LIPF over LI_X1 (see clause 7.10.3.2.2) to enable the HR LI, the BBIFF-C/BBIFF present in the SGW-C/SGW detects that a PDN connection with a default bearer used for IMS services is already established for an inbound roaming UE with home-routed roaming.

NOTE: The sending of xIRI for each already established PDN connection may result in a significant number of xIRI messages from the BBIFF-C/BBIFF to the LMISF-IRI.

The details of the xIRI S8HRBearerInfo record is defined in table 7.10.3.3-3 below.

Table 7.10.3.3-3: Payload for S8HRBearerInfo record

Field name	Description	M/C/O
iMSI	IMSI associated with the PDN connection on which a bearer is created.	M
iMEI	IMEI associated with the PDN connection on which a bearer is created, if available.	C
bearerID	The identity of the EPS bearer.	M
linkedBearerID	The identity of the default bearer when the bearerID is for dedicated bearer.	C
location	Location information provided by the MME.	C
aPN	Packet Data Network to which the connection is being made, as defined in TS 23.003[19] clause 9A and described in TS 23.401 [50] clause 4.3.2.2. Applicable for PDN connection establishment. Shall be given in dotted-label presentation format as described in TS 23.003 [19] clause 9.1.	C
sGWIPAddress	IP Address of the SGW-C or SGW as applicable and when available.	C
messageCause	Included to indicate why the xIRI is generated (see table 7.10.3.3-4).	M

Table 7.10.3.3-4: messageCause details

Field name	Description
bearerActivated	Indicates that the bearer is activated (default or dedicated).
bearerModified	Indicates that the bearer is being modified.
bearerDeleted	Indicates that the bearer is being deactivated.
pDNDisconnected	Indicates that the PDN is disconnected.
updatedLocationAvailable	Indicates that an updated UE location is available.
sGWChanged	Indicates that the SGW that is handling the PDN connection is changed.
other	Indicates that cause is other than those listed elsewhere in this table.
hRLIEnabled	Indicates that the HR LI is enabled after the PDN connection with default bearer for IMS services is established.

All of the xIRIs listed above shall also include the Network Function ID (NFID), a conditional attribute field as defined in ETSI TS 103 221-2 [8], with the SGW-C/SGW identity.

Handling of this xIRI within the LMISF-IRI is described in clause 7.10.3.4.

7.10.3.4 LMISF-IRI handling of xIRIs received over LI_X2_LITE

7.10.3.4.1 Handling of xIRIs

The LMISF-IRI that receives the xIRI, N9HRPDUSessionInfo record shall store or update the record with the information received in the xIRI (e.g. UE location) as applicable, for the future handling.

The LMISF-IRI that receives the xIRI, S8HRBearerInfo record shall store or update the record with the information received in the xIRI (e.g. UE location) as applicable, for the future handling.

The stored record is referred to LI_X2_LITE record in the present document.

7.10.3.4.2 Handling of the stored record

For the N9HR LI related LI_X2_LITE records, the LMISF-IRI shall use the SUPI and PDU Session ID to uniquely associate a record with the inbound roaming UE.

For S8HR LI related LI_X2_LITE records, the LMISF-IRI shall use the IMSI, Linked Bearer ID or the Bearer ID (when the Linked Bearer ID is not present) to uniquely associate a record with the inbound roaming UE.

7.10.3.5 Triggering of BBIFF-U from BBIFF-C over LI_T3

7.10.3.5.1 General

With HR LI Phase-1, the user plane packets from the IMS signalling channel are delivered to the LMISF-IRI for all inbound roaming UEs with home-routed roaming.

If the ActivateTask message specified in clause 7.10.3.2.2 includes an APN or a DNN, the user plane packets from the IMS signalling channel are delivered to the LMISF-IRI only if the APN (for S8HR) or the DNN (for N9HR) used for the IMS-based service matches the one included in the received ActivateTask message.

When BBIFF is separated into BBIFF-C and BBIFF-U, these user plane packets are captured at the BBIFF-U. In order to enable the BBIFF-U to do that function, the BBIFF-C triggers the BBIFF-U over the LI_T3 interface.

If the ActivateTask message specified in clause 7.10.3.2.2 includes an APN or a DNN, the BBIFF-C triggers the BBIFF-U over the LI_T3 interface only if the APN (for S8HR) or the DNN (for N9HR) used for the IMS-based service matches the one included in the received ActivateTask message.

The BBIFF-U delivers the user plane from the IMS signalling channel over the LI_X3_LITE-S interface to the LMISF-IRI.

7.10.3.5.2 N9HR LI

When the BBIFF-C present in the SMF detects that a PDU session is established with IMS signalling related QoS Flow for an inbound roaming UE with home-routed roaming, it shall send an activation message to the BBIFF-U present in the UPF over the LI_T3 interface with the associated QFI value.

If the ActivateTask message specified in clause 7.10.3.2.2 includes a DNN, the BBIFF-C shall send the activation message to the BBIFF-U only if the DNN used for the PDU session matches the one included in the received ActivateTask message.

The exact point at which the trigger is sent is left to the implementation (preferably, when the SMF receives the N4: PFCP Session Establishment/Modification Response from the UPF, see TS 29.244 [15] clauses 6.3.2 and 6.3.3), however, the BBIFF-C can send the trigger only when the following conditions are met:

- ActivateTask with target identity "HR" and "IMSSignalling" is received with X3 being included in the delivery type.
- If the received ActivateTask includes a DNN, the DNN used for the PDU session matches the one included in the ActivateTask. If the received ActivateTask doesn't include any DNN, the MCC + MNC of the Operator Identifier field of the DNN is different from the MCC+MNC configured in the SMF - see TS 29.502[16] clause 6.1.6.2.2 and 23.203 [19] clause 9.1.2.
- The Network Identifier field of DNN contains "IMS" (IMS services) - see GSMA IR.88 [67].
- The 5QI value associated with the QoS Flow is 5 – see GSMA NG.114 [68].

The first point is indicating that N9HR LI is enabled (see clause 7.10.3.3.1) with a need to capture and deliver the IMS signalling related user plane packets. The second point is telling that the UE is an inbound roamer with Home Routed based roaming (with a specific DNN, if applicable). The third point is telling that the PDU session is established for IMS services. The fourth point is telling that the IMS signalling related QoS Flow is established.

If the PDU session for IMS services is already established for an inbound roaming UE with Home-Routed based roaming when the above indicated ActivateTask is received, then the BBIFF-C shall send the trigger at the time Activation Task is received from the LIPF.

The details of ActivateTask sent to the BBIFF-U are shown in table 7.10.3.5-1.

Table 7.10.3.5-1: ActivateTask message for triggering the BBIFF-U in the UPF

ETSI TS 103 221-1 [7] field name	Description	M/C/O
XID	Shall be set to the XID of the Task Object associated with the interception at the BBIFF-C.	M
TargetIdentifiers	Packet detection criteria as determined by the BBIFF-C in the SMF, which enables the BBIFF-U to isolate user-plane packets. The BBIFF-U in the UPF shall support the identifier types given in table 6.2.3-7. The target identity type of PDR ID shall be mandatory. The BBIFF-C in SMF shall use the QFI associated with the IMS signalling (5QI = 5) related QoS flow to populate the QFI field within the PDI of PDR ID.	M
DeliveryType	Set to "X3Only".	M
ListOfDIDs	Shall give the DID of the LMISF-IRI to which the xCC should be delivered. The delivery endpoint is configured using the CreateDestination message as described in ETSI TS 103 221-1 [7] clause 6.3.1 prior to the task activation.	M
CorrelationID	Correlation ID to assign to X3 PDUs generated by the BBIFF-U in the UPF. This field is populated with the same CorrelationID the BBIFF-C in the SMF uses for the associated xIRI.	M

When the BBIFF-C present in the SMF detects that the PDU session is released (e.g. when SMF receives the N4: PFCP Session Deletion Response from the UPF, see TS 29.244 [15] clause 6.3.4), it shall send a deactivation message to the BBIFF-U present in the UPF over the LI_T3 interface, if the task is still active in the BBIFF-U.

The BBIFF-C shall also send the deactivation message to the BBIFF-U when a DeactivateTask is received from the LIPF for the XID if the task is still active in the BBIFF-U.

7.10.3.5.3 S8HR LI

When the BBIFF-C present in the SGW-C detects that the default bearer used for IMS signalling is activated on the PDN connection for an inbound roaming UE with home-routed roaming, it shall send an activation message to the BBIFF-U present in the SGW-U over the LI_T3 interface.

If the ActivateTask message specified in clause 7.10.3.2.2 includes an APN, the BBIFF-C shall send the activation message to the BBIFF-U only if the APN used for the PDN connection matched the one included in the received ActivateTask message.

The exact point at which the trigger is sent is left to the implementation (preferably, when the SGW-C receives the Sx: Session Establishment/Modification Response from the SGW-U). However, the BBIFF-C can send the trigger only when the following conditions are met:

- ActivateTask with target identity "HR" and "IMSSignalling" is received with X3 being included in the delivery type.
- If the received ActivateTask includes an APNs, the APN used for the PDN connection matches the one in the received ActivateTask. If the received ActivateTask doesn't include any APN, the MCC + MNC of the Operator Identifier field of the APN is different from the MCC+MNC configured in the SGW/SGW-C - see TS 29.502 [16] clause 6.1.6.2.2 and 23.203 [19] clause 9.1.2.
- The Network Identifier field of APN contains "IMS" (IMS services) - see GSMA IR.88 [67].
- The QCI value associated with the default bearer is 5 – see GSMA NG.114 [68].

The first point is indicating that S8HR LI is enabled (see clause 7.10.3.3.1) with a need to capture and deliver the IMS signalling related user plane packets. The second point is telling that the UE is an inbound roamer with Home Routed based roaming (with a specific APN, if applicable). The third point is telling that the PDN connection is established for IMS services. The fourth point is telling that the IMS signalling bearer is activated.

If the default bearer (for IMS signalling bearer) on the PDN connection is already established for an inbound roaming UE with Home-Routed based roaming when the above indicated ActivateTask is received, then the BBIFF-C shall send the trigger at the time Activation Task is received from the LIPF.

The details of ActivateTask sent to the BBIFF-U present in the SGW-U are shown in table 7.10.3.5-2.

Table 7.10.3.5-2: ActivateTask message for triggering the BBIFF-U in the SGW-U

ETSI TS 103 221-1 [7] field name	Description	M/C/O
XID	Shall be set to the XID of the Task Object associated with the interception at the BBIFF-C.	M
TargetIdentifiers	Packet detection criteria as determined by the BBIFF-C in the SGW-C, which enables the BBIFF-U in SGW-U to isolate user-plane packets. The BBIFF-U in the SGW-U shall support the identifier types given in table 6.2.3-7. The target identity type of PDR ID shall be mandatory. The BBIFF-C in SGW-C shall use the F-TIEDs associated with the IMS signalling (QCI = 5) related default bearer to populate the F-TEID field within the PDI of PDR ID.	M
DeliveryType	Set to "X3Only".	M
ListOfDIDs	Shall give the DID of the LMISF-IRI to which the xCC should be delivered. The delivery endpoint is configured using the CreateDestination message as described in ETSI TS 103 221-1 [7] clause 6.3.1 prior to the task activation.	M
CorrelationID	Correlation ID to assign to X3 PDUs generated by the BBIFF-U in the SGW-U. This field is populated with the same CorrelationID the BBIFF-C in the SGW-C uses for the associated xIRI.	M

When the BBIFF-C present in the SGW-C detects that the PDN connection is released (e.g. when SGW-C receives the Sx: Session Release Response from the SGW-U), it shall send a deactivation message to the BBIFF-U present in the SGW-U over the LI_T3 interface, if the task is still active in the BBIFF-U.

The BBIFF-C present in the SGW-C shall also send the deactivation message to the BBIFF-U present in the SGW-U when a DeactivateTask is received from the LIPF for the XID if the task is still active in the BBIFF-U.

7.10.3.6 Generation of xCC over LI_X3_LITE_S

7.10.3.6.1 BBIFF-U

The BBIFF-U in UPF and the BBIFF-U in SGW-U shall send the xCC over LI_X3_LITE_S for each of the packet matching the criteria specified in the Triggering message (i.e. Activate Task message) received over the LI_T3 from the BBIFF-C.

7.10.3.6.2 BBIFF

The BBIFF present in the SGW shall send the xCC over LI_X3_LITE_S for each of the packet from the default bearer with the QCI value of 5 (GSMA NG.114 [68]) with following other conditions:

- ActivateTask with target identity "HR" and "IMSSignalling" is received with delivery type "X3Only".
- If the received ActivateTask includes an APN, the APN used for the PDN connection matches the one included in the received ActivateTask. If the received ActivateTask doesn't include an APN, the MCC + MNC of the Operator Identifier field of the APN is different from the MCC+MNC configured in the SGW - see TS 29.502 [16] clause 6.1.6.2.2 and 23.203 [19] clause 9.1.2.
- The Network Identifier field of APN contains "IMS" (IMS services) - see GSMA IR.88 [67].

The first point is indicating that S8HR LI is enabled (see clause 7.10.3.2.2) with a need to capture and deliver the IMS signalling related user plane packets. The second point is telling that the UE is an inbound roamer with Home Routed based roaming (with a specific APN, if applicable). The third point is telling that the PDN connection is established for IMS services.

The BBIFF in SGW uses the QCI value of 5 (GSMA NG.114 [68]) to identify that the packets are from the IMS signalling bearer.

7.10.3.6.3 X3 PDU format

Each X3 PDU shall contain the contents of the user plane packet given using the GTP-U, IP or Ethernet payload format.

The BBIFF-U/BBIFF shall set the payload format to indicate the appropriate payload type (5 for IPv4 Packet, 6 for IPv6 Packet, 12 for GTP-U Packet as described in ETSI TS 103 221-2 [8] clauses 5.4 and 5.4.13.

7.10.3.7 LMISF-IRI handling of xCC received over LI_X3_LITE_S

The LMISF-IRI shall extract the IMS signalling messages (i.e. SIP messages) from the xCC received over the LI_X3_LITE_S from the BBIFF-U/BBIFF.

The LMISF-IRI shall examine the extracted SIP message for a target match as described in clause 7.10.4.2. If no match is found, then the LMISF-IRI shall store the extracted SIP message for a later use. If a match is found, then the LMISF-IRI shall proceed according to clause 7.10.4.3.

The record that stores the SIP message is referred to as LI_X2_LITE_S record.

7.10.4 HR LI Phase 2

7.10.4.1 Overview

7.10.4.1.1 General

The Phase-2 of HR LI that applies to inbound roaming target UEs that use IMS-based services with home-routed roaming or the inbound roaming UEs that use IMS-based services with home-routed roaming to communicate with the target non-local ID include the functions that revolve around the following interfaces.

- LI_X1: Used by the LIPF to provision the LMISF-IRI, MDF2 and MDF3 with the LI information for a target.
- LI_T1: Used by the LMISF-IRI to instruct the BBIFC/BBIFF that IMS media related user plane packets of target's communication need to be captured and delivered to the LMISF-CC.
- LI_T3: Used by the BBIFC to instruct the BBIFU to capture and deliver the IMS media related user plane packets of target's communication to the LMISF-CC.
- LI_X3_LITE_S: Used by the BBIFU/BBIFF to forward the IMS signalling related user plane packets of inbound roaming UEs to the LMISF-IRI.
- LI_X3_LITE_M: Used by the BBIFU/BBIFF to forward the IMS media related user plane packets of target's communication to the LMISF-CC.

The triggering interface LI_T3 is not used in the case of BBIFC in SGW. The LI_X3_LITE_S is also used for HR LI Phase-1.

7.10.4.1.2 Service Scoping for Phase 2 of HR LI

The following service scoping options (see clause 4.4) provisioned as described in clause 5.2.4 shall be supported for Phase-2 of HR LI:

- At the LMISF-IRI:
 - CSP Service Types:
 - Voice.
 - Messaging.
- At the MDF2/MDF3:
 - CSP Service Types:
 - Voice.
 - Messaging.
 - Location Reporting.
 - Report location only at the beginning and end of a session.
 - Do not report location.

7.10.4.2 Provisioning over LI_X1

7.10.4.2.1 General

For Phase-2 of HR LI, the following LI functions are provisioned over LI_X1 by the LIPF using the X1 protocol defined in ETSI TS 103 221-1 [7] with the LIPF playing the role of ADMF and the following LI functions playing the role of NE as per the reference model depicted in ETSI TS 103 221-1 [7].

- LMISF-IRI.
- MDF2.
- MDF3.

As described in clause 7.10.1, the Phase-2 of HR LI applies to inbound roaming target UEs that use IMS-based services with home-routed roaming or the inbound roaming UEs that use IMS-based services with home-routed roaming to communicate with the target non-local ID. The following target identities are used for Phase-2 of HR LI:

- IMPU.
- IMPI.
- PEIIMEI.
- IMEI.

The target identity in the IMPI format may contain a value derived from a SUPI or an IMSI. The target identity in the IMPU format containing a SIP URI or TEL URI may contain a value derived from a GPSI, MSISDN, an E.164 number, or IMSI. Only IMPU is used for target non-local ID. For triggered LALS, the LTF function associated with LMISF-IRI (see clause 7.3.1 and TR 33.928 [121]) is provisioned with the target identity of IMPU.

7.10.4.2.2 Provisioning of LMISF-IRI

The LMISF-IRI shall be provisioned over LI_X1 by the LIPF for target based interception of IMS services in the VPLMN with home-routed roaming.

The target identities listed in clause 7.10.4.2.1 shall apply for the provisioning of LMISF-IRI with LMISF-IRI playing the combined role of IRI-POI and CC-TF for the interception of IMS-based services in the VPLMN with home-routed roaming.

Table 7.10.4.2-1 shows the minimum details of the LI_X1 ActivateTask message used for provisioning the LMISF-IRI for Phase-2.

Table 7.10.4.2-1: ActivateTask message for activating LMISF-IRI for Phase-2

ETSI TS 103 221-1 [7] field name	Description	M/C/O
XID	XID assigned by LIPF. The value used here is different from the value used in ActivateTask shown in table 7.10.3.2-4.	M
TargetIdentifiers	One or more of the target identifiers listed in clause 7.10.4.2.1.	M
DeliveryType	Set to "X2Only", "X3Only" or "X2andX3" as needed to meet the requirements of the warrant.	M
ListOfDIDs	Delivery endpoints of LI_X2 or LI_X3. These delivery endpoints shall be configured using the <i>CreateDestination</i> message as described in ETSI TS 103 221-1 [7] clause 6.3.1 prior to first use.	M
ListOfServiceTypes	Indicates that the LMISF-IRI shall only deliver messages related to the indicated services. See ETS TS 103 221-1 [7] table C.1. When a single task is used to support multiple intercepts on a target identifier, the service scoping shall be the union of all of them.	C

7.10.4.2.3 Provisioning of the MDF2

The MDF2 listed as the delivery endpoint over LI_X2 for xIRI generated by the LMISF-IRI shall be provisioned over LI_X1 by the LIPF.

The target identities listed in clause 7.10.4.2.1 shall apply for the provisioning of MDF2.

Table 7.10.4.2-2 shows the minimum details of the LI_X1 ActivateTask message used for provisioning the MDF2.

Table 7.10.4.2-2 ActivateTask message for MDF2

ETSI TS 103 221-1 [7] field name	Description	M/C/O
XID	XID assigned by LIPF.	M
TargetIdentifiers	One or more of the target identifiers listed in clause 7.10.4.2.1.	M
DeliveryType	This value shall be Ignored by the MDF2.	M
ListOfDIDs	Delivery endpoints of LI_HI2. These delivery endpoints shall be configured using the <i>CreateDestination</i> message as described in ETSI TS 103 221-1 [7] clause 6.3.1 prior to first use.	M
ListOfMediationDetails	Sequence of Mediation Details, See table 7.10.4.2-3.	M

Table 7.10.4.2-3: Mediation Details for MDF2

ETSI TS 103 221-1 [7] field name	Description	M/C/O
LIID	Lawful Intercept ID associated with the task.	M
DeliveryType	Set to "HI2Only".	M
ListOfDIDs	Details of where to send the IRI for this LIID. Shall be included if deviation from the ListofDIDs in the ActivateTask message is necessary. If included, the ListOfDIDs in the Mediation Details shall be used instead of any delivery destinations authorised by the ListOfDIDs field in the ActivateTask Message.	C
ServiceScopingOptions	See ETS TS 103 221-1 [7] table C.1. Shall be present if there is no default setting in the MDF or to override the default setting for this LIID.	C

7.10.4.2.4 Provisioning of the MDF3

The MDF3 listed as the delivery endpoint over LI_X3 for xCC generated by the LMISF-CC shall be provisioned over LI_X1 by the LIPF.

The target identities listed in clause 7.10.4.2.1 shall apply for the provisioning of MDF3.

Table 7.10.4.2-4 shows the minimum details of the LI_X1 ActivateTask message used for provisioning the MDF3.

Table 7.10.4.2-4 ActivateTask message for MDF3

ETSI TS 103 221-1 [7] field name	Description	M/C/O
XID	XID assigned by LIPF.	M
TargetIdentifiers	One or more of the target identifiers listed in clause 7.10.4.2.1.	M
DeliveryType	This value shall be Ignored by the MDF3.	M
ListOfDIDs	Delivery endpoints of LI_HI3. These delivery endpoints shall be configured using the <i>CreateDestination</i> message as described in ETSI TS 103 221-1 [7] clause 6.3.1 prior to first use.	M
ListOfMediationDetails	Sequence of Mediation Details, See table 7.10.4.2-5.	M

Table 7.10.4.2-5: Mediation Details for MDF3

ETSI TS 103 221-1 [7] field name	Description	M/C/O
LIID	Lawful Intercept ID associated with the task.	M
DeliveryType	Set to "HI3Only".	M
ListOfDIDs	Details of where to send the IRI for this LIID. Shall be included if deviation from the ListofDIDs in the ActivateTask message is necessary. If included, the ListOfDIDs in the Mediation Details shall be used instead of any delivery destinations authorised by the ListOfDIDs field in the ActivateTask Message.	C
ServiceScopingOptions	See ETS TS 103 221-1 [7] table C.1. Shall be present if there is no default setting in the MDF or to override the default setting for this LIID.	C

7.10.4.3 Generation of xIRI over LI_X2

7.10.4.3.1 General concepts

The LMISF-IRI extracts the SIP messages that it receives within the xCC from the BBIFF-U/BBIFF over the LI_X3_LITE_S.

On the originating end of a voice session, the LMISF-IRI examines the SIP message, the stored LI_X2_LITE record and the stored LI_X3_LITE_S record to check for the following:

- Whether the calling party identity is a target.
- Whether the called party identity is a target non-local ID.

On the terminating end of a voice session, the LMISF-IRI examines the SIP message, the stored LI_X2_LITE record and the stored LI_X3_LITE_S record to check for the following:

- Whether the called party identity is a target.
- Whether the calling party identity is a target non-local ID.
- Whether the redirecting party identity is a target non-local ID.

The SIP headers used for identifying a calling party identity, called party identity, redirecting party identity can be same identities used by the IMS signalling functions with the following additions:

- P-Preferred Identity as calling party identity.

When any of the conditions listed above are true, the LMISF-IRI concludes that target is involved in an IMS session that shall be intercepted. Accordingly, the LMISF-IRI generates the xIRIs and delivers the same to the MDF2 over the LI_X2.

For IMS-based voice services, if media interception is required, the LMISF-IRI sends a trigger for the same to the BBIFF-C/BBIFF over the LI_T1 interface.

7.10.4.3.2 Target match

7.10.4.3.2.1 General

When an IMS UE performs an IMS registration (using SIP REGISTER) request, the LMISF-IRI examines the following for a target match:

- From header and To header of the SIP REGISTER when the target identity is IMPU.
- SUPI or IMSI stored in the LI_X2_LITE record when the target identity is IMPI.
- +sip.instance-id of Contact header of the SIP REGISTER when the target identity is PEIIMEI or IMEI.

The LMISF-IRI shall store the +sip.instance-id in the LI_X2_LITE_S record for later use.

7.10.4.3.2.2 LMISF-IRI provisioned for voice

The cases below apply when the LMISF-IRI has been provisioned to deliver LI product for the CSP service type (see clause 4.4.2) of voice.

When an IMS UE originates an IMS session (using SIP INVITE), the LMISF-IRI examines the following to verify for a target match:

- P-Preferred Identity header and From header present in the SIP INVITE when the target identity is IMPU.
- Request URI header and To header present in the SIP INVITE when the target identity is IMPU and target is non-local ID.
- SUPI or IMSI stored in the LI_X2_LITE record when the target identity is IMPI.
- +sip.instance-id of Contact header received in the SIP REGISTER request when the target identity is PEIIMEI or IMEI.

When an IMS UE receives an incoming IMS session (using SIP INVITE), the LMISF-IRI examines the following to verify for a target match:

- Request URI and To header present in the SIP INVITE when the target identity is IMPU.
- P-Asserted-Id, From header, History Info header and Diversion header present in the SIP header when the target identity is IMPU and target is non-local ID.
- SUPI or IMSI stored in the LI_X2_LITE record when the target identity is IMPI.
- +sip.instance-id of Contact header received in the SIP REGISTER request when the target identity is PEIIMEI or IMEI.

LMISF-IRI may use the Via header or the Route header to determine whether the SIP INVITE is for an originating IMS session or a terminating IMS session. LMISF-IRI stores the SIP Call Id to associate the subsequent SIP messages received on the same session for a target match.

For subsequent SIP messages, the LMISF-IRI may use the stored LI_X3_LITE_S record to determine for a target match.

7.10.4.3.2.3 LMISF-IRI provisioned for messaging

The cases below apply when the LMISF-IRI has been provisioned to deliver LI product for the CSP service type (see clause 4.4.2) of messaging.

When the Service Type received in the LI_X1 provisioning is "messaging", the LMISF-IRI examines the SIP MESSAGE for a target match as shown below:

- For MO-SMS over IP, P-Preferred Identity header and From header present in the SIP MESSAGE when the target identity is IMPU.
- For MO-SMS over IP, TP-DA field of SMS-SUBMIT within the Message-body of SIP MESSAGE when the target identity IMPU for target non-local ID.
- For MT-SMS over IP, the Request URI and To header present in the SIP MESSAGE when the target identity is IMPU.
- For MT-SMS over IP, the TP-OA field or TP-RA field of SMS-SUBMIT within the Message-body SIP MESSAGE when the target identity IMPU for target non-local ID.
- SUPI or IMSI stored in the LI_X2_LITE record when the target identity is IMPI.
- +sip.instance-id of Contact header received in the SIP REGISTER request when the target identity is PEIIMEI or IMEI.

LMISF-IRI may use the Via header or the Route header to determine whether the SIP MESSAGE is for MO-SMS over IP or MT-SMS over IP.

7.10.4.3.3 xIRIs

The xIRIs generated at the LMISF-IRI shall be same as the xIRIs generated in the IRI-POIs present in the IMS signalling functions (see clause 7.12.4.2).

As defined in TS 33.127 [5] the LMISF-IRI generates the following xIRIs:

- Encapsulated SIP message.
- Start of interception with an established IMS session.

The xIRI CC Unavailable defined in TS 33.127 [5] for IMS-based services is not applicable to N9HR LI and S8HR LI. The encapsulated SIP message is sent using the xIRI IMSMessage record.

Further details of the xIRIs are defined in clause 7.12.4.2.

7.10.4.4 Triggering of BBIFF-C from LMISF over LI_T1

7.10.4.4.1 General

When the intercepted IMS-session requires the media interception, the LMISF-IRI sends a trigger to the BBIFF-C/BBIFF over to the LI_T1 interface (see TS 33.127 [5]) with LMISF-CC as the delivery end point.

The LMISF-IRI upon discovering through the xIRIs received over the LI_X2_LITE interface that a change in SMF or SGW-C/SGW has occurred for an interception involving an IMS-session shall send the trigger to BBIFF-C/BBIFF present in the new SMF or SGW-C/SGW over LI_T1 interface with LMISF-CC as the delivery end point to continue the IMS media interception when required.

When the IMS session is completely released (e.g. all session-legs are released), the LMISF-IRI sends a trigger to the BBIFF-C/BBIFF to stop the media interception. The LMISF-IRI may also send the trigger to stop the media interception when the target information is deprovisioned in the LMISF-IRI by the LIPF.

NOTE: When multiple warrants are active on a target, the activation or deactivation of a warrant may not result in a trigger to BBIFF-C/BBIFF (e.g. if a trigger has already been sent due to other warrants).

The present document supports the media interception of IMS voice media.

7.10.4.4.2 N9HR LI

The LI_T1 trigger that the LMISF-IRI sends to the BBIFF-C present in the SMF shall include at least the following information:

- The XID that LMISF-IRI receives from the LIPF over LI_X1 for the target related activation.
- Target identity: SUPI, PDU session ID, IMS voice media.
- Delivery end point: LMISF-CC.

The details of ActivateTask sent to the BBIFF-C in SMF over LI_T1 are shown in table 7.10.4.4-1.

Table 7.10.4.4-1: ActivateTask message for triggering the BBIFF-C in the SMF over LI_T1

ETSI TS 103 221-1 [7] field name	Description	M/C/O
XID	Allocated by the LMISF-IRI as per ETSI TS 103 221-1 [7].	M
TargetIdentifiers	Information that identifies the need to intercept the IMS voice media. The target identifiers as shown in table 7.10.4.4-2.	M
DeliveryType	Set to "X3Only".	M
ListOfDIDs	Shall give the DID of the LMISF-CC to which the xCC should be delivered. The delivery endpoint is configured using the CreateDestination message as described in ETSI TS 103 221-1 [7] clause 6.3.1 prior to the task activation.	M
CorrelationID	This value is set by the LMISF-IRI and shall be same as the value to be used in the xCC generated at the LMISF-CC. The BBIFF-C passes this field to the BBIFF-U over LI_T3.	M
ProductID	Shall be set to the XID of the Task Object associated with the interception at the LMISF-IRI. This value shall be passed to the BBIFF-U over LI_T3.	M

Table 7.10.4.4-2: Target Identifier Types for LI_T1 (BBIFF-C in SMF)

Identifier type	ETSI TS 103 221-1 [7] TargetIdentifier type	Definition
SUPI	SUPI	ETSI TS 103 221-1 [7]
PDU SessionID	TargetIdentifierExtension/PDU SessionID	Integer (see XSD schema)
IMS VoiceMedia	TargetIdentifierExtension/IMS VoiceMedia	Empty tag (see XSD schema)
NOTE: The LMISF-IRI shall use the SUPI and PDU Session ID received over the LI_X2_LITE interface to populate the target identifiers SUPI and PDU SessionID respectively. The SUPI is in either SUPIIMSI or IMSI format (ETSI TS 103-221-1 [7]).		

The DeactivateTask message that the LMISF-IRI sends to the BBIFF-C present in the SMF shall include the XID of the Task created by the ActivateTask message (see table 7.10.4.4-1).

7.10.4.4.3 S8HR LI

The LI_T1 trigger that the LMISF-IRI sends to the BBIFF-C present in the SGW-C/SGW shall include at least the following information:

- The XID that LMISF-IRI receives from the LIPF over LI_X1 for the target related activation.
- Target identity: IMSI, Bearer ID, IMS voice media.
- Delivery end point: LMISF-CC.

The details of ActivateTask sent to the BBIFF-C in SGW-C over LI_T1 are shown in table 7.10.4.4-3.

Table 7.10.4.4-3: ActivateTask message for triggering BBIFF-C/BBIFF in the SGW-C/SGW over LI_T1

ETSI TS 103 221-1 [7] field name	Description	M/C/O
XID	Allocated by the LMISF-IRI as per ETSI TS 103 221-1 [7].	M
TargetIdentifiers	Information that identifies the need to intercept the IMS voice media. See table 7.10.4.4-4.	M
DeliveryType	Set to "X3Only".	M
ListOfDIDs	Shall give the DID of the LMISF-CC to which the xCC should be delivered. The delivery endpoint is configured using the CreateDestination message as described in ETSI TS 103 221-1 [7] clause 6.3.1 prior to the task activation.	M
CorrelationID	This value is set by the LMISF-IRI and shall be same as the value to be used in the xCC generated at the LMISF-CC. The BBIFF-C in passes this field to the BBIFF-U over LI_T3.	M
ProductID	Shall be set to the XID of the Task Object associated with the interception at the LMISF-IRI. This value shall be passed to the BBIFF-U over LI_T3.	M

Table 7.10.4.4-4: Target Identifier Types for LI_T1 (BBIFF-C/BBIFF in SGW-C/SGW)

Identifier type	ETSI TS 103 221-1 [7] TargetIdentifier type	Definition
IMSI	IMSI	ETSI TS 103 221-1 [7]
BearerID	TargetIdentifierExtension/BearerID	Integer (see XSD schema)
IMSVoiceMedia	TargetIdentifierExtension/IMSVoiceMedia	Empty tag (see XSD schema)
NOTE: The LMISF-IRI shall use the IMSI and Bearer ID received over the LI_X2_LITE interface to populate the target identifiers IMSI and BearerID respectively.		

The DeactivateTask message that the LMISF-IRI sends to the BBIFF-C/BBIFF present in the SGW-C/SGW shall include the XID of the Task created by the ActivateTask message (see table 7.10.4.4-3).

7.10.4.5 Triggering of BBIFF-U from BBIFF-C over LI_T3

7.10.4.5.1 General

When the trigger is received over the LI_T1 for activating the media interception, the BBIFF-C present in the SGW-C shall send a trigger over LI_T3 to the BBIFF-U present in the SGW-U when a dedicated bearer for the IMS media is established on the PDN connection.

When the trigger is received over the LI_T1 for activating the media interception, the BBIFF-C present in the SMF shall send a trigger over LI_T3 to the BBIFF-U present in the UPF when the PDU session is modified for adding IMS media related QoS flow.

If the trigger over LI_T1 is received for activating the media interception after the IMS media related changes has happened (i.e. dedicated bearer is established for IMS media, PDU session is modified for adding the IMS media related QoS flow), then the BBIFF-C shall send the trigger to the BBIFF-U over LI_T3 immediately.

The BBIFF-C shall trigger the BBIFF-U to stop the delivery of xCC to the LMISF-CC when it receives the trigger from the LMISF-IRI over LI_T1 for stopping the media interception, independent of whether the IMS media related changes have happened or not.

7.10.4.5.2 N9HR LI

The LI_T3 trigger that the BBIFF-C in SMF sends to the BBIFF-U present in the UPF shall include at least the following information:

- XID assigned locally by the BBIFF-C in the SMF.
- The ProductID that includes the XID it receives from the LMISF-IRI over LI_T1.
- Target identity: PFCP Session ID, PDR ID with the QFI associated with the IMS voice media (5Q = 1) related QoS flow.
- Delivery end point: LMISF-CC

The details of ActivateTask sent to the BBIFF-U in UPF over LI_T3 are shown in table 7.10.4.5-1.

Table 7.10.4.5-1: ActivateTask message for triggering the BBIFF-U in the UPF over LI_T3

ETSI TS 103 221-1 [7] field name	Description	M/C/O
XID	Allocated by the BBIFF-C as per ETSI TS 103 221-1 [7].	M
TargetIdentifiers	Packet detection criteria as determined by the BBIFF-C in the SMF, which enables the BBIFF-U to isolate user-plane packets of IMS voice media. The BBIFF-U in the UPF shall support the identifier types given in Table 6.2.3-7. The target identity type of PDR ID shall be mandatory. The BBIFF-C in SMF shall use the QFI associated with the IMS voice media (5QI = 1) related QoS flow to populate the QFI field within the PDI of PDR ID.	M
DeliveryType	Set to "X3Only".	M
ListOfDIDs	Shall give the DID of the LMISF-CC to which the xCC should be delivered. The delivery endpoint is configured using the CreateDestination message as described in ETSI TS 103 221-1 [7] clause 6.3.1 prior to the task activation.	M
CorrelationID	Correlation ID to assign to X3 PDUs generated by the BBIFF-U in the UPF. This field is populated with the same CorrelationID received over the LI_T1 interface (see table 7.10.4.4.1).	M
ProductID	Shall be set to the XID of the Task Object associated with the interception as received in the ProductID field over LI_T1 interface (see table 7.10.4.4.1). This value shall be used by the BBIFF-U in the UPF to fill the XID of X3 PDUs.	M

The DeactivateTask sent to the BBIFF-U present in the UPF over LI_T3 shall include the XID of the Task created by the ActivateTask message (see table 7.10.4.5-1).

7.10.4.5.3 S8HR LI

The LI_T3 trigger that the BBIFF-C in SGW-C sends to the BBIFF-U present in the SGW-U shall include at least the following information:

- XID assigned locally by the BBIFF-C in the SGW-C.
- The ProductID that includes the XID it receives from the LMISF-IRI over LI_T1.
- Target identity: PFCP Session ID, PDR ID with the F-TEID associated with the IMS voice media (QCI = 1) related dedicated bearer.
- Delivery end point: LMISF-CC.

The details of ActivateTask sent to the BBIFF-U in SGW-U over LI_T3 are shown in table 7.10.4.5-2.

Table 7.10.4.5-2: ActivateTask message for triggering the BBIFF-U in the SGW-U

ETSI TS 103 221-1 [7] field name	Description	M/C/O
XID	Allocated by the BBIFF-C as per ETSI TS 103 221-1 [7].	M
TargetIdentifiers	Packet detection criteria as determined by the BBIFF-C in the SGW-C, which enables the BBIFF-U in SGW-U to isolate user-plane packets. The BBIFF-U in the SGW-U shall support the identifier types given in Table 6.2.3-7. The target identity type of PDR ID shall be mandatory. The BBIFF-C in SGW-C shall use the F-TEIDs associated with the IMS voice media (QCI = 1) related dedicated bearer to populate the F-TEID field within the PDI of PDR ID.	M
DeliveryType	Set to "X3Only".	M
ListOfDIDs	Shall give the DID of the LMISF-CC to which the xCC should be delivered. The delivery endpoint is configured using the CreateDestination message as described in ETSI TS 103 221-1 [7] clause 6.3.1 prior to the task activation.	M
CorrelationID	Correlation ID to assign to X3 PDUs generated by the BBIFF-U in the SGW-U. This field is populated with the same CorrelationID received over the LI_T1 interface (see table 7.10.4.4.3).	M
ProductID	Shall be set to the XID of the Task Object associated with the interception as received in the ProductID field over LI_T1 interface (see table 7.10.4.4.3). This value shall be used by the BBIFF-U in the SGW-U to fill the XID of X3 PDUs.	M

The DeactivateTask sent to the BBIFF-U present in the SGW-U over LI_T3 shall include the XID of the Task created by the ActivateTask message (see table 7.10.4.5-2).

7.10.4.6 Generation of xCC over LI_X3_LITE_M

The BBIFF-U in UPF and the BBIFF-U in SGW-U shall send the xCC over LI_X3_LITE_M for each of the packet matching the criteria specified in the Triggering message (i.e. Activate Task message) received over the LI_T3 from the BBIFF-C.

The BBIFF in SGW shall identify the IMS voice media (QCI = 1) related dedicated bearer associated with the IMS signalling related bearer as indicated in the trigger received over the LI_T1 from the LMISF-IRI and then send xCC over LI_X3_LITE_M for each of the packet captured from that dedicated bearer.

The BBIFF-U/BBIFF shall set the payload format to indicate the appropriate payload type (5 for IPv4 Packet, 6 for IPv6 Packet, or 12 for GTP-U Packet as described in ETSI TS 103 221-2 [8] clauses 5.4 and 5.4.13).

7.10.4.7 Generation of xCC over LI_X3

The xCC generated at the LMISF-CC shall be same as the xCC generated in the CC-POIs present in the IMS media functions. Further details of this are not specified in the present document.

The correlation identifier value included in the xCC of an IMS session can be dependent on the UDP port numbers associated with the voice-media related RTP streams. This is the case when a user is involved in multiple IMS sessions. An illustrated of this is shown in clause 7.10.4.8

7.10.4.8 Correlation identifier

The xIRIs generated at the LMISF-IRI shall be correlated using the correlation identifier field defined ETSI TS 103 221-2 [8]. This correlation identifier value can be independent of the correlation identifier value received in the xCC from the BBIFF-U/BBIFF over the LI_X3_LITE_S interface.

Furthermore, the xIRIs generated at the LMISF_IRI shall include the correlation identifier value used in the xCC generated at the LMISF-CC. Any intra-LMISF interactions required to associate the correlation identifier values used by the LMISF-IRI and LMISF-CC are outside the scope of the present document.

Each session-leg of an IMS session may have to be correlated separately. This is accomplished using the RTP/RTCP port numbers present in the SDP of IMS signalling message and the UDP port numbers present in the IMS voice media related RTP as illustrated in figure 7.10.4.8-1 below.

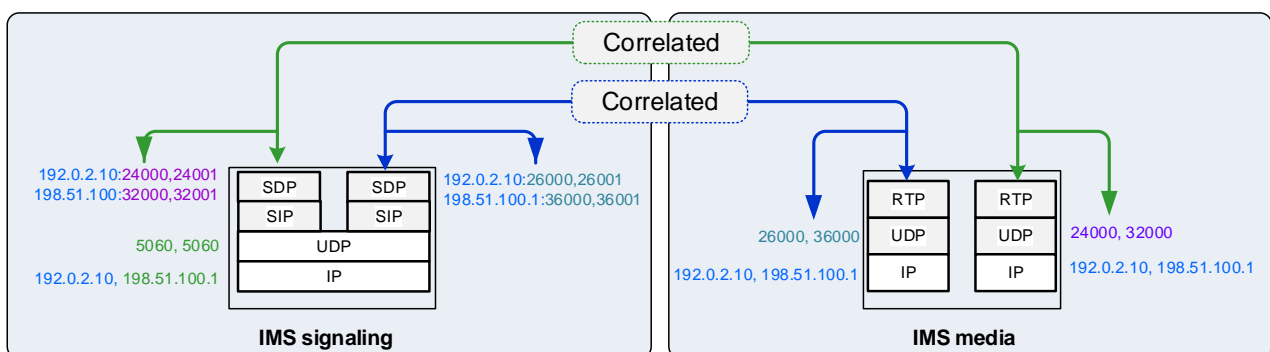


Figure 7.10.4.8-1: Correlation at the session-leg level (an illustration)

Figure 7.10.4.8-1 illustrates an example where an IMS session includes two session-legs.

Session-leg 1:

- Source IP address: 192.0.2.10 and source port number: 24000 (RTP), 24001 (RTCP).
- Destination IP address: 198.51.100.1 and destination port number: 32000 (RTP), 32001 (RTCP).

Session-leg 2:

- Source IP address: 192.0.2.10 and source port number: 26000 (RTP), 26001 (RTCP).
- Destination IP address: 198.51.100.1 and destination port number: 36000 (RTP), 36001 (RTCP).

The IP address of the two end-points happen to be the same for the two session legs. The RTP port numbers present in the SDP of IMS signalling message and the UDP port numbers of the associated with the IMS voice-media related RTP happen to be the same for a session-leg.

Therefore, in general, multiple session-legs can be identified using the RTP port numbers present in the SDP of IMS signalling message and the UDP port numbers associated with the IMS voice-media related RTP.

7.10.4.9 Generation of IRI over LI_HI2

When an xIRI is received over LI_X2 from the LMISF-IRI, the MDF2 shall send the IRI message over LI_HI2 without undue delay. The IRI message shall contain a copy of the relevant record received from LI_X2. The record may be enriched by other information available at the MDF (e.g. additional location information).

The IRI messages delivered over the LI_HI2 for HR LI are same as the IRI messages delivered over the LI_HI2 for LI IMS-based voice services. Further details of this are outside the scope of the present document.

7.10.4.10 Generation of CC over LI_HI3

When the xCC is received over LI_X3 from the LMISF-CC, the MDF3 shall deliver the CC over LI_HI3 without undue delay.

The CC delivered over the LI_HI3 for HR LI is the same as the CC delivered over the LI_HI3 for LI IMS-based voice services. Further details of this are outside the scope of the present document.

7.11 STIR/SHAKEN and RCD/eCNAM

7.11.1 Provisioning over LI_X1

7.11.1.1 General

When the interception of STIR/SHAKEN is required, the LIPF shall provision the IRI-POI present in the following IMS NFs for the reporting of signing and verification results, as applicable:

- IBCF.
- Telephony AS.

If the IRI-POI functions in IBCF or Telephony AS are already provisioned for IMS-based services, then separate provisioning is not required. However, the "ReportDiversionPASSporTInfo" shall be included, as specified in clause 7.11.1.2, as a part of provisioning the IRI-POIs in Telephony AS and IBCF for IMS-based services.

NOTE: The P-CSCF and LMISF-IRI may also provide IRI-POI functions for reporting of STIR/SHAKEN validation results when the target (or user communicating with the target non-local ID) is roaming (P-CSCF with LBO and LMIF-IRI with home-routed). However, separate provisioning of those IRI-POIs for STIR/SHAKEN is not required.

7.11.1.2 Provisioning of the IRI-POI in the IMS network functions

The LIPF provisions the IRI-POIs present in the NFs mentioned in clause 7.11.1.1 using the X1 protocol as described in clause 5.2.2 with the following target identifier formats as defined in the ETSI TS 103 221-1 [7] messages (or equivalent if ETSI TS 103 221-1 [7] is not used):

- IMPU.

The "div" PASSporT information for the redirecting party(ies) when the IMS session is redirected later on the signalling path may have to be reported to some LEAs. To identify the need for such reporting, a parameter "ReportDiversionPASSporTInfo" shall be included as part of ActivateTask message.

Table 7.11.1.2-1 shows the minimum details of the LI_X1 ActivateTask message used for provisioning the IRI-POI in the Telephony AS, IBCF, for separate provisioning case, for STIR/SHAKEN and RCD/eCNAM.

Table 7.11.1.2-1: ActivateTask message for IRI-POI in the IMS Network Functions for STIR/SHAKEN and RCD/eCNAM

ETSI TS 103 221-1 [7] field name	Description	M/C/O
XID	XID assigned by LIPF.	M
TargetIdentifiers	The target identifier listed in the paragraph above.	M
DeliveryType	Set to "X2Only".	M
ListOfDIDs	Delivery endpoints of LI_X2. These delivery endpoints shall be configured using the <i>CreateDestination</i> message as described in ETSI TS 103 221-1 [7] clause 6.3.1 prior to first use.	M
TaskDetailsExtensions/ STIRSHAKENProvisioning	Shall be included if the interception of STIR/SHAKEN is required. See table 7.11.1.2-2.	C

Table 7.11.1.2-2: STIRSHAKENProvisioning extension

Extensions field name	Description	M/C/O
ReportDiversionPASSporTInfo	Indicates whether "div" PASSporT information of redirecting party(ies) when the IMS session is redirected later on the signalling path is to be reported. When set to "true", it shall be reported. When set to "false" or absent, it shall not be reported.	M

When the IRI-POIs in Telephony AS or IBCF are provisioned for IMS-based services, then the minimal details of LI_X1 ActivateTask message shall be as defined in clause 7.12.3.2.1 (table 7.12.3.2-2) with the addition of "ReportDiversionPASSporTInfo" parameter.

7.11.1.3 Provisioning of the MDF2

This clause is applicable when the MDF2 is not provisioned for IMS-based interception.

The MDF2 listed as the delivery endpoint for xIRI generated by the IRI-POI in the IMS Network Functions for STIR/SHAKEN and RCD/eCNAM shall be provisioned over LI_X1 by the LIPF using the X1 protocol as described in clause 5.2.2. Table 7.11.1.3-1 shows the minimum details of the LI_X1 ActivateTask message used for provisioning the MDF2.

The MDF2 shall support the following target identifier formats in the ETSI TS 103 221-1 [7] messages (or equivalent if ETSI TS 103 221-1 [7] is not used):

- IMPU.

Table 7.11.1.3-1: ActivateTask message for MDF2

ETSI TS 103 221-1 [7] field name	Description	M/C/O
XID	XID assigned by LIPF.	M
TargetIdentifiers	The target identifier listed in the paragraph above.	M
DeliveryType	Set to "X2Only". (Ignored by the MDF2).	M
ListOfDIDs	Delivery endpoints of LI_HI2. These delivery endpoints shall be configured using the <i>CreateDestination</i> message as described in ETSI TS 103 221-1 [7] clause 6.3.1 prior to first use.	M
ListOfMediationDetails	Sequence of Mediation Details, see table 7.11.1.3-2.	M

Table 7.11.1.3-2: Mediation Details for MDF2

ETSI TS 103 221-1 [7] field name	Description	M/C/O
LIID	Lawful Intercept ID associated with the task.	M
DeliveryType	Set to "HI2Only".	M
ListOfDIDs	Details of where to send the IRI for this LIID. Shall be included if deviation from the ListofDIDs in the ActivateTask message is necessary. If included, the ListOfDIDs in the Mediation Details shall be used instead of any delivery destinations authorised by the ListOfDIDs field in the ActivateTask Message.	C

7.11.2 Generation of xIRI at IRI-POI in the IMS Network Functions over LI_X2

7.11.2.1 General

The IRI-POI present in the IMS Network Functions for STIR/SHAKEN and RCD/eCNAM shall send xIRI over LI_X2 for each of the events listed in TS 33.127 [5] clause 7.14.3, each of which is described in the following clauses.

NOTE: The clauses below on signing and verification shall be applied for diverted call based on the RFC 8946 [76]. LI system has to generate xIRI containing all the pASSporT objects of the SIP messages and signature validation or generation results, even those of the History-Info field.

7.11.2.2 Signature generation

The IRI-POI present in the Telephony AS or IBCF, shall generate an xIRI containing a STIRSHAKENSignatureGeneration record under the following conditions:

- Telephony AS or IBCF is interacting with the SIGNING AS. Whether it is the Telephony AS or IBCF for sessions is based on network configuration and local policy of the CSP as described in clause 7.11.2.4.
- When P-Asserted Identity or From header of SIP INVITE request received from S-CSCF is a target identity with the conditions mentioned below:
 - The identities in one or both of those headers are used to interact with the SIGNING AS.
 - The "shaken" PASSporT is not received in the SIP INVITE request from the S-CSCF.
 - The "shaken" PASSporT with those identities in the "orig" claim is received from the SIGNING AS.
 - The "shaken" PASSporT with those identities in the "orig" claim is included in the outgoing SIP INVITE.
- When the "ReportDiversionPASSporTInfo" parameter is set to "True" in the ActivateTask with P-Asserted Identity or From header of SIP INVITE request received from S-CSCF is a target identity with the conditions mentioned below:
 - The identities in one or both of those headers are used to interact with the SIGNING AS.
 - A "div" PASSporT with those identities in the "orig" claim of "div" PASSporT is received from the SIGNING AS.
 - The "div" PASSporT with those identities in the "orig" claim is included in the outgoing SIP INVITE.
- When Diversion header or the History Info of SIP INVITE request received from the S-CSCF includes a target identity with the conditions mentioned below:
 - The identities in one or both of those headers are used to interact with the SIGNING AS.
 - The "div" PASSporT with those identities in the "div" claim is not received in the SIP INVITE request from the S-CSCF.
 - The "div" PASSporT with those identities in the "div" claim is received from the SIGNING AS.
 - The "div" PASSporT with those identities in the "div" claim is included in the outgoing SIP INVITE.

- The identities in P-Asserted Identity or From of SIP INVITE received from the S-CSCF are used to interact with the SIGNING AS.
- A "div" PASSporT with the identities in P-Asserted Identity or From of SIP INVITE request received from S-CSCF are included in the "orig" claim of "div" PASSporT received from the SIGNING AS.
- The "div" PASSporT with the identities in P-Asserted Identity or From of SIP INVITE request received from S-CSCF are included in the "orig" claim of "div" PASSporT in the outgoing SIP INVITE.
- When the "ReportDiversionPASSporTInfo" parameter is set to "True" in the ActivateTask with Diversion or HistoryInfo header of SIP INVITE request received from S-CSCF includes the target identity with the conditions mentioned below:
 - The identities in P-Asserted Identity or From of SIP INVITE received from the S-CSCF are used to interact with the SIGNING AS.
 - A "div" PASSporT with the identities in P-Asserted Identity or From of SIP INVITE request received from S-CSCF are included in the "orig" claim of "div" PASSporT received from the SIGNING AS.
 - The "div" PASSporT with the identities in P-Asserted Identity or From of SIP INVITE request received from S-CSCF are included in the "orig" claim of "div" PASSporT in the outgoing SIP INVITE.
 - The "div" PASSporT with that identity in the "div" claim was previously received in the SIP INVITE request from the S-CSCF or from the Signing AS.
- When Request URI of outgoing SIP INVITE is a target non-local ID and is present in the "dest" claim of "shaken" or "div" PASSporT received from the SIGNING AS and the same is included in the outgoing SIP INVITE.
- When Telephony AS is interacting with the SIGNING AS, and when Request URI of SIP INVITE received from the S-CSCF is a target identity with the conditions mentioned below:
 - The identity is used to interact with the SIGNING AS.
 - The "div" PASSporT with that identity in the "div" claim is received from the SIGNING AS.
 - The "div" PASSporT with that identity in the "div" claim is included in the outgoing SIP INVITE.

When the target is local to the network (i.e. not a target non-local ID), the STIRSHAKENSignatureGeneration includes only the PASSporT received in the SIGNING AS response with the following rules:

- If REQUEST URI or To header in the SIP INVITE received from the S-CSCF is a target identity, then only the "div" PASSporT received from the SIGNING AS with those identities in the "div" claim of "div" PASSporT.
- When the "ReportDiversionPASSporTInfo" parameter is set to "False" in the ActivateTask:
 - If P-Asserted Identity or From header in the SIP INVITE received from the S-CSCF is a target identity, then only "shaken" PASSporT received from the SIGNING AS with those identities in the "orig" claim of the "shaken" PASSporT.
 - If Diversion or HistoryInfo header in the SIP INVITE received from the S-CSCF is a target identity, then only the "div" PASSporT received from the SIGNING AS with those identities in the "div" claim of "div" PASSporT.
 - If REQUEST URI or To header in the SIP INVITE received from the S-CSCF is a target identity, then only the "div" PASSporT received from the SIGNING AS with those identities in the "div" claim of "div" PASSporT.
- When the "ReportDiversionPASSporTInfo" parameter is set to "True" in the ActivateTask, in addition to the reporting as described above (for "ReportDiversionPASSporTInfo" parameter is set to "False"), also report the "div" PASSporTs for all the subsequent redirections that have the identity of the P-Asserted Identity or the From header in the "orig" claim of those PASSporTs.

When the target is non-local ID, STIRSHAKENSignatureGeneration includes all of the PASSporT included in the outgoing SIP message.

The following table contains parameters, with IRITargetIdentifier, generated by the IRI-POI.

Table 7.11.2.2-1: Payload for STIRSHAKENSignatureGeneration record

Field name	Description	M/C/O
pASSporTs	Identifies the content of the SIP Identity headers added by networks. This is a set of PASSporT parameter. See table 7.11.2.2-2.	M
encapsulatedSIPMessage	Encapsulated SIP INVITE request that includes SIP Identity header carrying the PASSporT (Outgoing SIP request) based on the structure defined in table 7.12.4.2-2 (see NOTE 2 below). Shall be provided. This parameter is conditional only for backwards compatibility.	C
NOTE 1: Void.		
NOTE 2: The same SIP message may be encapsulated in the xIRI IMSMessage as well.		

Table 7.11.2.2-2: Details for PASSporT parameter

Field name	Description	M/C/O
pASSporTHeader	PASSporT Header as defined in RFC 8224 [70] clause 4 for "shaken" PASSporT, in RFC 8946 [76] clause 3 for "div" PASSporT and in TS 24.229 [74]. See table 7.11.2.2-3.	M
pASSporTPayload	PASSporT Payload as defined in RFC 8224 [70] clause 4 for "shaken" PASSporT, in RFC 8946 [76] clause 3 for "div" PASSporT and in TS 24.229 [74]. See table 7.11.2.2-4.	M
pASSporTSignature	PASSporT Signature as defined in RFC 8224 [70] clause 4 for "shaken" PASSporT, in RFC 8946 [76] clause 3 for "div" PASSporT and in TS 24.229 [74].	M

Table 7.11.2.2-3: Details for pASSporTHeader parameter

Field name	Description	M/C/O
type	Shall be populated with the type contained in the PASSporT Header as defined in RFC 8225 [69] clause 4.1 for "shaken" PASSporT and in RFC 8946 [76] clause 3 for "div" PASSporT.	M
algorithm	Shall be derived from the value of the 'alg' parameter of the PASSporT Header as defined in RFC 8225 [69] clause 4.2 for "shaken" PASSporT and in RFC 8946 [76] clause 3 for "div" PASSporT.	M
ppt	Shall be derived from the value of the 'ppt' parameter of the PASSporT Header as defined in RFC 8225 [69] clause 8.1 for "shaken" PASSporT if the PASSporT Header contains a ppt parameter and in RFC 8946 [76] clause 3 for "div" PASSporT.	C
x5u	Shall be populated with the URI contained in the 'x5u' parameter of the PASSporT Header as defined in RFC 8225 [69] clause 4.3 for "shaken" PASSporT and in RFC 8946 [76] clause 3 for "div" PASSporT.	M

Table 7.11.2.2-4: Details for pASSporTPayload parameter

Field name	Description	M/C/O
issuedAtTime	Shall be populated with the GenrealizedTime format timestamp converted from the NumericDate contained in the 'iat' parameter of the PASSporT Payload as defined in RFC 8225 [69] clause 5.1.1 and in RFC 8946 [76] clause 3.	M
originator	Shall be populated with the value of the "orig" claim of the PASSporT Payload as defined in RFC 8225 [69] clause 5.2.1 and in RFC 8946 [76] clause 3.	M
destination	Shall contain the list of destinations contained in the "dest" claim of the PASSporT Payload as defined in RFC 8225 [69] clause 5.2.1 and in RFC 8946 [76] clause 3.	M
diversion	Shall be populated with the "div" claim of the "div" PASSporT payload. For first diversion this contains the original identifier of the destination as defined in RFC 8946 [76] clause 3 for "div" PASSporT.	C
attestation	Indicates the attestation level as defined in RFC 8588 [71] clause 4 for the "shaken" PASSporT. The different values of attestation level are A = Full Attestation, B= Partial Attestation, C = Gateway Attestation. For "div" PASSporT where "attestation" is not available, the placeholder value "Not available" shall be used	M
origID	Shall be populated with the value of the origID contained in the 'origid' parameter of the PASSporT Payload as defined in RFC 8588 [71] clause 5 for the "shaken" PASSporT. For "div" PASSporT where "origid" is not available, the placeholder value "Not available" shall be used.	M
NOTE 3: Void.		
NOTE 4: Void.		

7.11.2.3 Signature validation

The IRI-POI present in the Telephony AS or IBCF, shall generate an xIRI containing a STIRSHAKENSsignatureValidation record when the following conditions are met:

- Either IBCF or Telephony AS, is interacting with the VERIFICATION AS. Whether it is the Telephony AS or IBCF for sessions is based on network configuration and local policy of the CSP as described in clause 7.11.2.5.
- With one or more of the following are true:
 - Request URI and To Headers of SIP INVITE request received from S-CSCF (in the case of Telephony AS) or from the previous IP network (in the case of IBCF) is a target identity.
 - One or more of P-Asserted Identity, From, Diversion, History-Info Headers of SIP INVITE request received from S-CSCF (in the case of Telephony AS) or from the previous IP network (in the case of IBCF) is a target non-local identity without any prior intra-network diversions.
- If PASSporTs are received in the SIP INVITE request, they are submitted by the IBCF to the VERIFICATION AS for validation and the result is included in an outgoing SIP INVITE request together with possible RCD data or eCNAM data as Call-Info headers.
- If PASSporTs are received in the SIP INVITE request, they are submitted by the Telephony AS to the VERIFICATION AS for validation and the validation result is received from the Verification AS and the outgoing SIP INVITE possibly includes RCD data or eCNAM data as Call-Info headers.

NOTE: The IRI-POI may use the Via headers, Record-route headers to determine any prior intra-network diversions.

The IRI-POI present in the Telephony AS shall also generate an xIRI containing a STIRSHAKENSsignatureValidation record when it detects the following conditions:

- Session is redirected.
- Request URI header of outgoing SIP INVITE is a target identity.
- Validation result is included in the outgoing SIP INVITE with the possible the RCD data and the eCNAM data as Call-Info headers.

The IRI-POI present in the LMISF-IRI or P-CSCF shall generate an xIRI containing a STIRSHAKENSignatureValidation record when the following conditions are met:

- With one or more of the following are true:
 - Request URI or To header of SIP INVITE request sent to the inbound roaming UE is a target identity.
 - One or more of P-Asserted Identity, From, Diversion, History-Info Headers of SIP INVITE request sent to the UE is a target non-local identity.
- SIP INVITE request sent to the UE includes SIP Call-Info headers containing possible RCD data or eCNAM data, and the result of the PASSporT verification.

In the above paragraphs, a validation result (i.e. result of all PASSporT verification) is included means a "verstat" parameter within the P-Asserted Identity header is included in the outgoing SIP INVITE.

The following table contains parameters, with IRITargetIdentifier, generated by the IRI-POI.

Table 7.11.2.3-1: Payload for STIRSHAKENSignatureValidation record

Field name	Description	M/C/O
pASSporTs	Identifies the content of the SIP Identity headers added by the originating network and transit networks. See TS 24.229 [74] and RFC 8224 [70]. This is a set of PASSporT parameter. See table 7.11.2.2-2.	C
rCDTerminalDisplayInfo	RCD display information when applicable. See IETF draft-ietf-stir-passport-rcd-12 [73].	C
eCNAMTerminalDisplayInfo	eCNAM display information when applicable. See TS 24.196 [72].	C
sHAKENValidationResult	SHAKEN validation result: TN-Validation-Passed, TN-Validation-Failed, No-TN-Validation. See TS 24.229 [74] and IETF RFC 8588 [71].	M
sHAKENFailureStatusCode	SHAKEN status code when validation fails in the terminating network. See IETF RFC 8224 [70].	C
encapsulatedSIPMessage	Encapsulated SIP INVITE request that carries P-Asserted Identifier or From header that includes the SHAKEN validation result (Outgoing SIP request) based on the structure defined in table 7.12.4.2-2. (see NOTE below).	C
NOTE: The same SIP message may be encapsulated in the xIRI IMSMessage as well.		

When the termination network performs SHAKEN verification, one of the following values shall be assigned to the SHAKEN validation result parameter as part of the display information: "TN-Validation-Passed", "TN-Validation-Failed", or "No-TN-Validation". In case of TN-Validation-Failed, the SHAKEN failure status code shall be present and coded as an integer. The SHAKEN failure status codes are at least, according to RFC 8224 and to IANA Session Initiation Protocol (SIP) Parameters [75]:

- 403 "Stale Date" response code is sent when the verification service receives a request with a Date header field value that is older than the local policy of the CSP for freshness permits. The same response may be used when the "iat" has a value older than the local policy of the CSP for freshness permits.
- 428 "Use Identity Header" response code is sent when the verification service receives a SIP request that lacks an Identity header. This is to indicate that the request should be re-sent with an Identity header.
- 436 "Bad Identity-Info" response code is used to indicate an inability to acquire the credentials needed by the verification service for validating the signature in an Identity header field.
- 437 "Unsupported Credential" response code is used when the verification service cannot validate the certificate referenced by the URI of the Identity-Info header, for reasons such as failing to trust the issuing certification authority (CA) or failing to support the algorithm with which the credential was signed.
- 438 "Invalid Identity Header" response code is used to indicate that of the set of Identity header fields in a request, no header field with a valid and supported Identity token has been received.

7.11.2.4 IMS Network Function that interacts with signing AS

The Telephony AS interacts with the SIGNING AS when any of the following is true:

- RCD is present in the incoming SIP INVITE.

- Intra-CSP IMS session signing is required.
- When intra-CSP IMS session signing is not required, the CSP choice for signing is Telephony AS and the current session is an inter-CSP IMS session.
- When intra-CSP IMS session signing is not required, the CSP choice for signing is Telephony AS and the Telephony AS is unable to determine that the current session is an inter-CSP IMS session.

The Egress IBCF interacts with the SIGNING AS when all of the following are true:

- Intra-CSP IMS session signing is not required.
- When intra-CSP IMS session signing is not required, the CSP choice for signing is IBCF.
- Incoming SIP INVITE includes unsigned identities.

The IBCF also interacts with the SIGNING AS for an IMS emergency session.

The presence of RCD is on a per call basis.

7.11.2.5 IMS Network Function that interacts with the verification AS

When the incoming SIP INVITE includes one or more PASSporTs and does not include the Validation Result, the Telephony AS interacts with the Verification AS.

When the incoming SIP INVITE includes one or more PASSports and does not include the Validation Result, the Ingress IBCF interacts with the Verification AS when any of the following is true:

- When intra-CSP IMS session signing/verification is not required, the CSP choice for verification is IBCF and the current session is not an IMS emergency callback.
- For an emergency IMS callback, the CSP choice for verification is IBCF and the current session is an IMS emergency callback.

It is possible that both Telephony AS and the Ingress IBCF could interact with the Verification AS (an incoming inter-CSP session is redirected to a user locally within the network with RCD present).

7.11.3 Generation of IRI over LI_HI2

When an xIRI is received over LI_X2 from an IRI-POI, the MDF2 shall generate the corresponding IRI message and deliver over LI_HI2 without undue delay. The IRI message shall contain a copy of the relevant record received in the xIRI over LI_X2.

The MDF2 shall be able to remove information regarded as content from RCD or eCNAM parameters in the case of an IRI-only warrant. The details of what needs to be removed and under what circumstances are outside the scope of the present document.

The ETSI TS 102 232-1 [9] *@LI-PS-PDU.pSHeader.timeStamp* field shall be set to the time present in the timestamp field of the xIRI.

The *@LI-PS-PDU.payload.iRIPayloadSequence.iRIContents.threeGPP33128DefinedIRI* field of the LI_HI2 message shall be populated with the BER-encoded *IRIPayload* as described in ETSI TS 102 232-7 [10] clause 15.

The STIRSHAKENSignatureGeneration and STIRSHAKENSignatureValidation IRI messages shall have the same CIN as in the other IRI messages delivered for the IMS session (see ETSI TS 102 232-1 [9] clause 5.2.4).

The *@LI-PS-PDU.payload.iRIPayloadSequence.iRIType* parameter (see ETSI TS 102 232-1 [9] clause 5.2.10) shall be included and coded according to table 7.11.3-1.

Table 7.11.3-1: IRI type for IRI messages

Record type	IRI Type
STIRSHAKENSignatureGeneration	REPORT
STIRSHAKENSignatureValidation	REPORT

7.12 LI for IMS based services

7.12.1 General

The present document provides two options for stage 3 definitions for implementing IMS LI:

- Use LI_X1, LI_X2 and LI_X3 interfaces specified below in the present document.
- Use TS 33.107 [36] and TS 33.108 [12] natively as defined in that document.

In both cases, the present document specifies the stage 3 for the LI_HI1, LI_HI2 and LI_HI3 interfaces.

7.12.2 Overview

7.12.2.1 General

Clause 7.12.2 defines protocol and procedures to support the LI for IMS-based services. The scope of LI functions defined here are based on the IMS LI architecture defined in TS 33.127 [5] that includes:

- Target type – local ID, non-local ID.
- Roaming considerations – local break-out (LBO), home-routed (HR).
- Service specific aspects - normal sessions, redirected sessions, conferencing, STIR/SHAKEN, RCD/eCNAM, IMS Data Channel.
- Location reporting.

The IMS LI shall apply to all IMS-based services unless restricted by the service scoping as defined in clause 4.4 of the present document. When restricted by the service scoping, the IMS LI applies only to service types listed in table C.2 of ETSI TS 103 221-1 [7]). Clause 7.12.2.5 provides further details of IMS LI with service scoping.

As defined in TS 33.127 [5], the NFs that provide the IRI-POI and CC-TF are in the IMS signalling functions that handle the SIP messages and the NFs that provide the CC-POI are in the IMS media functions. The media interception in the packet core network (EPC or 5GC) is outside the scope of the present document.

For some of the services listed above, an alternate deployment option in addition to the default option is also specified in TS 33.127 [5]. The NFs that provide the IRI-POI, CC-TF and CC-POI in the alternate deployment option can be different.

The LIPF provisioning scenarios for IMS LI is illustrated in TR 33.928 [121].

7.12.2.2 Target type and target identifiers

An IMS user served by the CSP can be the target or can be in communication with a target non-local ID. In the former case, the target can also be an outbound roaming IMS user or an inbound roaming IMS user (see clause 7.12.2.3).

NOTE: A target non-local ID is identified distinctly through the provisioning.

The following target identifier formats (ETSI TS 103 221-1 [7]) can be used to identify a target for IMS based services:

- IMPU.
- IMPI.
- PEIIMEI.
- IMEI.

When service scoping is applicable, additional target identities may be used in LI for IMS based specific services (e.g. MCPTT ID for PTC). The details of such additional target identities are provided in the service specific clauses of the present document.

The target identity in the IMPI format may contain a value derived from a SUPI or an IMSI. The target identity in the IMPU format containing a SIP URI or TEL URI may contain a value derived from a SIP URI, TEL URI, GPSI, MSISDN, an E.164 number or IMSI. Only IMPU is used for target non-local ID.

7.12.2.3 Roaming considerations

An IMS user who is the target, or in communication with the target non-local ID, can be part of the following roaming scenarios for the LI purpose:

- Non-roaming.
- Outbound roaming with HR.
- Outbound roaming with LBO.
- Inbound roaming with HR.
- Inbound roaming with LBO.

The details of LI functions for the case of inbound roaming with HR are described in clause 7.10.

7.12.2.4 Service specific aspects

7.12.2.4.1 General

The NFs that provide the IRI-POI, CC-TF and CC-POI functions can be different depending on the IMS session scenarios the target, or the IMS user in communication with a target non-local ID, is involved in.

An IMS user shall be considered to be in communications with a target non-local ID even if the session is redirected from that target non-local ID.

7.12.2.4.2 LI for normal sessions

This includes LI for session originations and session terminations.

LI for session originations applies when an IMS session is originated by an IMS user whose communications are intercepted either because that originating IMS user happens to be a target or because that originating IMS user happens to be in communications with a target non-local ID. The originating IMS user can also be inbound roaming (LBO or HR) or outbound roaming (LBO or HR).

LI for session terminations applies when an IMS session is terminated to an IMS user whose communications are intercepted either because that terminating IMS user happens to be a target or because that terminating IMS user happens to be in communications with a target non-local ID. The terminating IMS user can also be inbound roaming (LBO or HR) or outbound roaming (LBO or HR).

The other party can be within the same CSP domain (intra-CSP sessions) or in another CSP domain (inter-CSP sessions). In the latter case, the other CSP can be CS-based or IP-based. For target non-local ID, the session is always an inter-CSP session.

7.12.2.4.3 LI for redirected sessions

This includes LI for the incoming IMS sessions that are redirected.

LI for redirected sessions applies when a terminating session to a target is redirected to (or forwarded to) another user. Either the target (i.e. redirecting party) or the redirected-to party can be outbound roaming (LBO or HR).

The redirected-to party can be in the same CSP domain as that of initial terminating party (i.e. redirecting party) or can be a another CSP domain. In the latter case, the other CSP can be CS-based or IP-based. The LI for redirected sessions in the VPLMN are handed as LI for session terminations.

7.12.2.4.4 LI for conferencing

This includes the LI for conferencing services.

LI for conferencing services applies when a target initiates a multi-party conferencing session or when a target joins a "meet-me" conferencing session or when a "meet me" conferencing session is established with conferencing URI itself being the target.

When a target happens to be one of the participant of a conference initiated by another IMS user, the LI for normal sessions (see clause 7.12.2.4.2) applies.

7.12.2.4.5 STIR/SHAKEN

This includes the LI for STIR/SHAKEN when signature is signed or verified in an IMS session involving a target as described in TS 33.127 [5].

The further details of LI for STIR/SHAKEN are described in clause 7.11.

7.12.2.4.6 RCD/eCNAM

This includes the LI for RCD/eCNAM when enhanced calling name is included in a terminating IMS session involving a target as described in TS 33.127 [5].

The further details of LI for RCD/eCNAM are described in clause 7.11.

7.12.2.4.7 Called party address translation

In networks which use IMS, called party address translation may occur where, for example, a telephony application server translates a called party address to another address for routing purposes (e.g. toll free number translation).

In this case, the placement of the POIs should be such that the reporting of address translation is possible. The IRI reported shall include information regarding the translated called party address, i.e. the pre-translation called party address as well as the post translation called party address along with information for correlation to the associated call/session, where such called party address translation information is available to the CSP.

For example, when reporting SIP signalling, this can be accomplished by reporting both the SIP message sent to the server performing called party address translation (containing the pre-translation called party address) and the resultant SIP message containing the post translation called party address using the same correlation information for the call/session with which the translation applies.

7.12.2.4.8 IMS Data Channel

This includes the LI for IMS data channel for the target as described in TS 33.127 [5].

The further details of LI for IMS data channel are described in clause 7.12.2.5.8.

7.12.2.5 Service scoping

7.12.2.5.1 General

LI for IMS-based services shall support service scoping with the following specific service types:

- Voice.
- PTC.
- Messaging.
- RCS.
- LALS.

When an NF is involved in the handling of one or more of the above mentioned IMS-based services (e.g. voice, messaging at the S-CSCF), the LI functions within that NF shall limit the interception to the service type to which the warrant applies. However, type of service used by a UE may not be known when an IMS session begins, or if known, may change while, or after, the session is established. Therefore, the present document limits the applicability of service-based interception to the media only.

The present document supports service-based interception to signalling as well media when the NF is involved in the handling of a specific service mentioned above (e.g. PTC server for PTC).

When service scoping is not applicable, the delivery of IRI and CC for IMS-based services are done independent of service types. Location reporting aspects that are also part of the service scoping are described in clause 7.12.2.6.

7.12.2.5.2 LI for voice

This includes the LI for IMS-based voice services.

LI for IMS-based voice services applies to the interception of IMS-based voice media for the IMS sessions involving the targets if and only if the m-line in the SDP answer includes either one of the following:

- Audio.
- Text.

For the generation and delivery of IRI for the IMS sessions, the LI for IMS-based voice is handled independent of the m-line in the SDP.

If the m-line includes "audio" and "video" then only audio part of the media is intercepted.

It is possible that SDP offer and SDO answer may have different information in m-line. The determination on whether to intercept the voice media is based on the final outcome of SDP offer and answer, which happens to be in the SDP answer.

The media associated with an IMS session may also change in the middle of a session using the re-INVITE procedures invoked by either of the parties involved in the session. Accordingly, the interception of voice media may resume or cease in the middle of an IMS session based media type negotiated at the conclusion the related SDP offer and answer.

NOTE: The present document excludes the m-line values of video, msrp, image, application and other, for Service Type of "voice" while determining the media interception (i.e. CC delivery).

7.12.2.5.3 LI for Messaging

This includes LI for SMS over IP and MSRP originated from, or terminated to, a target.

LI for SMS over IP originated from a target applies to the interception of a SIP MESSAGE originated from an IMS user who happens to be a target or happens to be receiving a SIP MESSAGE that has originated from a target non-local ID. That IMS user can also be inbound roaming (LBO or HR) or outbound roaming (LBO or HR).

LI for SMS over IP terminated to a target applies to the interception of a SIP MESSAGE terminated to an IMS user who happens to be a target or happens to be sending the SIP MESSAGE to a target non-local ID. That IMS user can also be inbound roaming (LBO or HR) or outbound roaming (LBO or HR).

LI for MSRP applies to the interception of media for the IMS sessions involving the targets if and only if MSRP is included in the m-line of the SDP answer. For the generation and delivery of IRI for the IMS sessions, the LI for messaging is handled independent of the m-line in the SDP.

When service scoping applies, the LI for Messaging (i.e. SMS over IP or MSRP) is provided if and only if the "messaging" service type is included as a part of LI provisioning. If no service type is provisioned, service scoping does not apply and the LI for messaging shall be provided (per clause 4.4.2).

7.12.2.5.4 LI for voice-mail

This includes LI for IMS-based voice services (see clause 7.12.2.5.3) when an incoming voice session to an IMS user who happens to be a target or an incoming voice session to an IMS user from a target non-local ID is redirected to a voice mail server.

When the incoming session happens to be from a target non-local ID to an IMS user, the retrieval of the voice message from the voice mail server is not intercepted. However, when the IMS user who happens to be the target, the retrieval of the voice message from the voice-mail server may be intercepted in the network that handles the IMS session initiated from the target used to retrieve the voice message.

When service scoping applies, LI for voice-mail is provided if and only if "voice" service type is included as a part of LI provisioning. If no service type is provisioned, service scoping does not apply and the LI for voice-mail shall be provided (per clause 4.4.2).

7.12.2.5.5 LI for RCS

This includes the LI for RCS services when a target executes one of the RCS related services described in TS 33.127 [5].

The further details of LI for RCS are described in clause 7.13.

7.12.2.5.6 LI for PTC service

This includes LI for PTC when a target is engaged in a PTC service as described in TS 33.127 [5].

The further details of LI for PTC are described in clause 7.5.

7.12.2.5.7 LALS triggering

This includes the reporting of location by the LI-LCS Client triggered by the LTF as described in TS 33.127 [5].

The further details of LALS triggering are defined in clause 7.3.

7.12.2.5.8 LI for IMS Data Channel

This includes LI for IMS-based voice, video, application, or multimedia services for target originated or target terminated sessions.

LI for IMS Data Channel services applies if the following is true:

- The m-line in the SDP answer is application.
- Media format is webrtc-datachannel.

The generation of xIRI, however, shall be made independent from the SDP information.

It is possible that SDP offer and SDP answer may have different information in m-line. The determination on whether to intercept the IMS Data Channel media is based on the final outcome of SDP offer and answer, which happens to be in the SDP answer, see TS 26.114 [139] clause 6.2.10.

The media associated with an IMS Data Channel session may also change in the middle of a session using the re-INVITE procedures invoked by either of the parties involved in the session. Accordingly, the interception of IMS Data Channel media may start, resume, or cease in the middle of an IMS data channel session based media type negotiated at the conclusion the related SDP offer and answer. LI reporting for this procedure is reported via a IMSDataChannelSessionModification xIRI as described in clause 7.12.4.2.5 of the present document.

IMS Data Channel session xIRI and xCC are correlated independently from non-IMS Data Channel IMS sessions utilizing the mediaID within the mediaInfo parameter, see TS 29.176 [137] clauses 6.1.6.1 and 6.1.6.2.4.

7.12.2.6 Location reporting

When the location reporting is only required at the beginning and end of an IMS session, the location is reported when an IMS session is originated (SIP INVITE) from a target or terminating session is answered (SIP 200 OK for INVITE) from the target or either of the two sessions are released (SIP BYE from the target or SIP 200 OK for BYE from the target).

7.12.2.7 Deployment considerations

As described in TS 33.127 [5], some of the service types may have two deployment options denoted as "default option" and "alternate option".

As illustrated in TR 33.928 [121], the LIPF provisions the LI functions in a NF based on the option the CSP has deployed within the network.

7.12.2.8 Identifying the intercepted IMS-based communications

7.12.2.8.1 General concepts

An IMS based communication is intercepted when one of the following is true:

- The calling party identity on session originations or SMS originations is a target.
- The called party identity on session originations is a target non-local ID.
- The destination party identity in SMS originations is a target non-local ID.
- The called party identity on session terminations or SMS terminations is a target.
- The calling party identity on session terminations is a target non-local ID.
- The origination party identity in SMS terminations is target non-local ID.
- The redirecting party identity on session terminations is a target non-local ID.
- In the alternate deployment option for redirected sessions (see TS 33.127 [5]), redirecting party is a target.
- The redirected-to party identity is a target non-local ID.
- The conference URI in a conferencing session is a target.
- The callingIdentity within the SessionInfo parameter of the SessionEventNotification (see TS 29.165 [140] clause 6.1.6.2.2) is a target when the IMS Data Channel is established for the originating party.
- The calledIdentity within the SessionInfo parameter of the SessionEventNotification (see TS 29.165 [140] clause 6.1.6.2.2) is a target when the IMS Data Channel is established for the terminating party.

The above identities are used to identify that an IMS session is intercepted in the IRI-POI and in the CC-TF, the latter when the LI requires CC interception. In addition, the CC-TF uses the redirecting party identity to trigger the CC-POI even if the target is not a non-local ID.

7.12.2.8.2 Target match

7.12.2.8.2.1 General

When an IMS UE performs an IMS registration (using SIP REGISTER) request, the IRI-POI/CC-TF examines the following for a target match:

- From header and To header of the SIP REGISTER when the target identity is IMPU.
- +sip.instance-id of Contact header of the SIP REGISTER when the target identity is PEIIMEI or IMEI.
- Digest username of Authorization header of the SIP REGISTER when the target identity is IMPI.

NOTE: The SIP REGISTER that carries the Authorization header is sent in response when the initial Registration is challenged.

A target match for SIP REGISTER can only be done when the NF where the IRI-POI resides is in the path of the SIP REGISTER flow (e.g. P-CSCF, S-CSCF).

7.12.2.8.2.2 Session based IMS services

This clause describes the method used to identify a session-based IMS service such as IMS-based voice service.

When an IMS session is originated from an IMS UE (using SIP INVITE), the IRI-POI/CC-TF examines the following to verify for a target match:

- P-Asserted Identity header and From header present in the SIP INVITE when the target identity is IMPU.

- Request URI header and To header present in the SIP INVITE when the target identity is IMPU and target is non-local ID.
- Digest username of Authorization header of the SIP REGISTER when the target identity is IMPI.
- +sip.instance-id of Contact header received in the SIP REGISTER request when the target identity is PEIIMEI or IMEI.

The use of Request URI header and To header present in the SIP INVITE for matching target non-local ID is done on the redirected sessions irrespective of whether the session is originated from an IMS UE.

When an IMS session is terminated at an IMS UE (using SIP INVITE), the IRI-POI/CC-TF examines the following to verify for a target match:

- Request URI and To header present in the SIP INVITE when the target identity is IMPU.
- P-Asserted-Identity, From header, History Info header and Diversion header present in the SIP INVITE when the target identity is IMPU and target is non-local ID.
- Digest username of Authorization header of the SIP REGISTER when the target identity is IMPI.
- +sip.instance-id of Contact header received in the SIP REGISTER request when the target identity is PEIIMEI or IMEI.

NOTE: IRI-POI/CC-TF that uses the information received in the SIP REGISTER to perform a target match cannot do such a target match unless the NF is on the signalling path of SIP REGISTER flow.

In addition, the IRI-POI in the alternate deployment option (TS 33.127 [5]) and CC-TF, examine the following to verify a target match when an IMS session is terminated to an IMS UE:

- History Info header and Diversion header present in the SIP INVITE when the target identity is IMPU and the target is not a non-local ID.

For conference sessions, the IRI-POI and CC-TF examine the following to verify a target match:

- P-Asserted-Identity, From header present in the SIP INVITE when a target initiates a conference session or when the target joins a "meet-me" conference session.
- Conference URI present in the SIP INVITE when the conference URI is the target.

IRI-POI/CC-TF may use the Via header or the Route header to determine whether the SIP INVITE is for an originating IMS session or a terminating IMS session. IRI-POI/CC-TF stores (locally) the SIP Call Id to associate the subsequent SIP messages received on the same session for a target match.

For IMS Data Channel sessions, the IRI-POI and CC-TF use the following to verify a target match:

- CallingIdentity in the SessionInfo parameter of the SessionEventNotification when the SessionCase is ORIGINATING_IMS_SESSION.
- CalledIdentity in the SessionInfo parameter of the SessionEventNotification when the SessionCase is TERMINATING_IMS_SESSION.

The CallingIdentity and CalledIdentity are present in the SessionInfo parameter when the Event Type is SESSION ESTABLISHMENT REQUEST and MEDIA CHANGE REQUEST.

7.12.2.8.2.3 Session independent IMS services

This clause describes the method used to identify a session-independent IMS service (i.e. SMS over IP).

For SMS over IP, the SIP MESSAGE includes "vnd.3gpp.sms" as the MIME Content Type in the payload with RP-DATA or RP-ACK as the content, see 3GPP TS 24.341 [102].

For MSISDN-less SMS over IP (i.e. SIP URI instead of MSISDN), SIP MESSAGE additionally includes "vnd.3gpp.sms+xml" as the MIME Content Type in the payload with destination or origination addresses, see 3GPP TS 24.341 [102].

The target match for the SIP MESSAGE is done as shown below:

- For MO-SMS over IP, the P-Asserted Identity header and From header present in the SIP MESSAGE when the target identity is IMPU.
- For MO-SMS over IP, the TP-DA field of SMS-SUBMIT within the Message-body of SIP MESSAGE when the target identity is IMPU for target non-local ID.
- For MO-SMS over IP, the <To> field within the XML body of the content type "vnd.3gpp.sms+xml" present in the Message-body of SIP MESSAGE when the target identity is IMPU for target non-local ID. In this case, the TP_DA field of SMS-SUBMIT is be set to dummy MSISDN, see 3GPP TS 24.341 [102].
- For MT-SMS over IP, the Request URI and To header present in the SIP MESSAGE when the target identity is IMPU.
- For MT-SMS over IP, the TP-OA field or TP-RA field of SMS-DELIVER or SMS-STATUS-REPORT within the Message-body SIP MESSAGE when the target identity IMPU for target non-local ID.
- For MSISDN-less MT-SMS over IP, the <From> field within the XML body of the content type "vnd.3gpp.sms+xml" present in the Message-body of SIP MESSAGE when the target identity is IMPU for target non-local ID. In this case, the TP_OA of SMS-DELIVER or TP-RA field of SMS-STATUS-REPORT may be set to dummy MSISDN, see 3GPP TS 24.341 [102].
- Digest username of Authorization header of the SIP REGISTER when the target identity is IMPI.
- +sip.instance-id of Contact header received in the SIP REGISTER request when the target identity is PEIIMEI or IMEI.

NOTE: IRI-POI/CC-TF that uses the information received in the SIP REGISTER to perform a target match cannot do such a target match unless the NF is on the signalling path of SIP REGISTER flow.

IRI-POI may use the Via header or the Route header to determine whether the SIP MESSAGE is for MO-SMS over IP or MT-SMS over IP.

7.12.2.9 Handling of correlation information

7.12.2.9.1 Correlation of IRI and CC

The IRI records delivered to the LEMF over the LI_HI2 and the CC delivered to the LEMF over LI_HI3 shall be correlated.

According to the protocol defined in ETSI TS 103 221-1 [7] and ETSI TS 103 221-2 [8], the xIRI messages and the xCC carry the CorrelationID which enables the MDF2 and MDF3 to provide the needed correlation between the IRI and CC.

When the CC-POI is triggered by a CC-TF, the CC-TF sends the CorrelationID to the CC-POI over the LI_T3 interface in the ActivateTask message. The CC-POI uses that CorrelationID in the xCC sent to the MDF3.

NOTE: The IRI-POI and CC-POI may be provided within the same NF (e.g. PTC Server, RCS Server). When the CC-POI is triggered from a CC-TF, the IRI-POI and CC-TF may be provided within the same NF (e.g. P-CSCF, AS/MRFC) or in different NFs (e.g. IRI-POI in S-CSCF and CC-TF in P-CSCF).

When the IRI-POI and CC-POI (or CC-TF in a triggered CC-POI case) are in the same NF, the procedures can be similar to the way the correlation of xIRI and xCC are done in the packet core system (e.g. IRI-POI and CC-TF in the SMF). The details of any needed interactions between those LI functions are not defined in the present document.

When the IRI-POI and CC-TF are in separate NFs, any additional procedures that may be needed are also implementation specific and the details of the same are not described in the present document.

7.12.2.9.2 Correlation for sessions with called party address translation

When an interception is triggered for a session where called party address translation occurs, the IRI-POI and CC-POI shall assign the same CorrelationID to the LI product for that session both before and after the address translation

occurs. Similarly, the MDF2/MDF3 shall assign the same CIN to LI product for the session both before and after the address translation occurs.

7.12.3 Provisioning over LI_X1

7.12.3.1 General

The LIPF shall provision the IRI-POIs, CC-TFs, MDF2 and MDF3 over LI_X1 for IMS-based services using the X1 protocol as described in clause 5.2.2.

The clause 7.12.2.2 provides a list of target identifiers that shall be supported for IMS based services in a general sense.

The target identifiers used during the provisioning over LI_X1 for a specific IMS-based service (e.g. PTC) are listed in the respective service specific clauses.

7.12.3.2 Provisioning of IRI-POI

7.12.3.2.1 Session-based IMS services

The table 7.12.3.2-1 below shows the applicability of NFs in which the IRI-POIs are provisioned with the target identifiers listed in clause 7.12.2.2 for session based IMS sessions (e.g. voice). See TS 33.127 [5] and TR 33.928 [121].

When the service scoping is applicable, the IRI-POIs in the NFs shown in table 7.12.3.2-1 are provisioned only when the type of service is voice/text or messaging (i.e. MSRP-based).

Table 7.12.3.2-1: IRI-POIs in the NFs that need to be provisioned for session-based IMS service

NF (IMS signalling function)	Not a target non-local ID		Target non-local ID		Reference
	Default	Alternate option	Default	Alternate option	
P-CSCF	YES	YES	YES	NO	In this clause
S-CSCF	YES	NO	NO	YES	In this clause
E-CSCF	YES	NO	NO	NO	In this clause
IBCF	NO	YES	YES	YES	In this clause
MGCF	NO	YES	YES	NO	In this clause
AS	YES	YES	YES	YES	In this clause
HSS	YES	YES	NO	NO	7.2.3
DCSF	YES	YES	(see NOTE)	(see NOTE)	In this clause
NOTE: Target non-local ID for DCSF interception of IMS Data Channel is not considered in this Release.					

Table 7.12.3.2-2 shows the minimum details of the LI_X1 ActivateTask message used for provisioning the IRI-POIs in the NFs listed in table 7.12.3.2-1 for session based IMS-based services.

Table 7.12.3.2-2: ActivateTask message for activating IRI-POI for session-based IMS service

ETSI TS 103 221-1 [7] field name	Description	M/C/O
XID	XID assigned by LIPF. The value used here shall be the same when IRI-POIs in multiple NFs are provisioned for a warrant. The value used here shall also be same as the value used for provisioning the CC-TFs (see table 7.12.3.3-1), MDF2 (see table 7.12.3.4-1) and MDF3 (see table 7.12.3.5-1).	M
TargetIdentifiers	One or more of the target identifiers listed in the clause 7.12.2.2 with the embedded conditions implied.	M
DeliveryType	Set to "X2Only".	M
ListOfDIDs	Delivery endpoints of LI_X2. These delivery endpoints shall be configured using the <i>CreateDestination</i> message as described in ETSI TS 103 221-1 [7] clause 6.3.1 prior to first use.	M
ListOfServiceTypes	Present if interception is to be done on one or more a specific service type. Using the format defined in ETSI TS 103 221-1 [7] based on the service scoping listed below this table. When multiple intercepts are activated on a target identifier, the service scoping shall be the union of all of them.	C

When service scoping is required, the IRI-POIs present in the NFs listed in table 7.12.3.2-1 shall support the following service types from the structure defined in ETSI TS 103 221-1 [7]:

- The enumerated value of "voice" or "messaging" in the service type field.

The ModifyTask and DeactivateTask messages that the LIPF may send to the IRI-POIs present in the NFs listed in table 7.12.3.2-1 shall include the XID of the Task created by the above ActivateTask message.

7.12.3.2.2 Session-independent IMS services

Table 7.12.3.2-3 below shows the applicability of NFs in which the IRI-POIs are provisioned with the target identifiers listed in clause 7.12.2.2 for session independent services (e.g. SMS over IP). See TS 33.127 [5] and TR 33.928 [121].

When the service scoping is applicable, the IRI-POIs in the NFs shown in table 7.12.3.2-3 are provisioned only when the service type is messaging (i.e. SMS over IP).

Table 7.12.3.2-3: IRI-POIs in the NFs that need to be provisioned for session-independent IMS-based service

NF (IMS signalling function)	Not a target non-local ID		Target non-local ID		Reference
	Default	Alternate option	Default	Alternate option	
P-CSCF	YES	YES	YES	YES	In this clause
S-CSCF	YES	NO	YES	NO	In this clause
E-CSCF	YES	NO	NO	NO	In this clause
IBCF	NO	YES	NO	YES	In this clause
MGCF	NO	NO	NO	NO	In this clause
AS	NO	NO	NO	NO	In this clause
HSS	YES	YES	NO	NO	Clause 7.2.3

Table 7.12.3.2-4 shows the minimum details of the LI_X1 ActivateTask message used for provisioning the IRI-POIs in the NFs listed in table 7.12.3.2-3 for session independent IMS-based voice services.

Table 7.12.3.2-4: ActivateTask message for activating IRI-POI for session independent IMS-based service

ETSI TS 103 221-1 [7] field name	Description	M/C/O
XID	XID assigned by LIPF. The value used here shall be the same when IRI-POIs in multiple NFs are provisioned for a warrant.	M
TargetIdentifiers	One or more of the target identifiers listed in the clause 7.12.2.2 with the embedded conditions implied.	M
DeliveryType	Set to "X2Only".	M
ListOfDIDs	Delivery endpoints of LI_X2. These delivery endpoints shall be configured using the <i>CreateDestination</i> message as described in ETSI TS 103 221-1 [7] clause 6.3.1 prior to first use.	M
ListOfServiceTypes	Present if interception of one or more listed service types is required. Using the format defined in ETSI TS 103 221-1 [7] based on the service scoping listed below this table. When multiple intercepts are activated on a target identifier, the service scoping shall be the union of all of them.	C

When service scoping is required, the IRI-POIs present in the NFs listed in table 7.12.3.2-3 shall support the following service types from the structure defined in ETSI TS 103 221-1 [7]:

- The enumerated value of "messaging" in the service type field.

The ModifyTask and DeactivateTask messages that the LIPF may send to the IRI-POIs present in the NFs listed in table 7.12.3.2-3 shall include the XID of the Task created by the above ActivateTask message.

7.12.3.3 Provisioning of CC-TF

The table 7.12.3.3-1 below shows the applicability of NFs in which the CC-TFs are provisioned with the target identifiers listed in clause 7.12.2.2 for session-based IMS services (e.g. voice). See TS 33.127 [5] and TR 33.928 [121].

Table 7.12.3.3-1: CC-TFs in the NFs that need to be provisioned for session-based IMS service

NF (IMS signalling function)	Not a target non-local ID		Target non-local ID	
	Default	Alternate option	Default	Alternate option
P-CSCF	YES	YES	YES	NO
IBCF	YES	YES	YES	YES
MGCF	YES	YES	YES	NO
AS/MRFC	YES	YES	YES	YES
Conferencing AS/MRFC	YES	YES	YES	YES
IMS-AS	YES	YES	YES	NO
DCSF	YES	YES	(see NOTE)	(see NOTE)
NOTE: Target non-local ID for DCSF interception of IMS Data Channel is not considered in this Release.				

Table 7.12.3.3-2 shows the minimum details of the LI_X1 ActivateTask message used for provisioning the CC-TFs in the NFs listed in table 7.12.3.3-1 for session-based IMS services.

Table 7.12.3.3-2: ActivateTask message for activating CC-TF for session-based IMS services

ETSI TS 103 221-1 [7] field name	Description	M/C/O
XID	XID assigned by LIPF. The value used here shall be the same when IRI-POIs in multiple NFs are provisioned for a warrant. The value used here shall also be same as the value used for provisioning the IRI-POIs (see table 7.12.3.2-2), MDF2 (see table 7.12.3.4-1) and MDF3 (see table 7.12.3.5-1).	M
TargetIdentifiers	One or more of the target identifiers listed in the clause 7.12.2.2 with the embedded conditions implied.	M
DeliveryType	Set to "X3Only".	M
ListOfDIDs	Delivery endpoints of LI_X3. These delivery endpoints shall be configured using the <i>CreateDestination</i> message as described in ETSI TS 103 221-1 [7] clause 6.3.1 prior to first use.	M
ListOfServiceTypes	Present if interception of one or more listed service types is required. Using the format defined in ETSI TS 103 221-1 [7] based on the service scoping listed below this table. When multiple intercepts are activated on a target identifier, the service scoping shall be the union of all of them.	C

When service scoping is required, the CC-TF present in the NFs listed in table 7.12.3.3-1 shall support the following service scoping from the structure defined in ETSI TS 103 221-1 [7]:

- The enumerated value of "voice" or "messaging" in the service type field.

The ModifyTask and DeactivateTask messages that the LIPF may send to the CC-TFs present in the NFs listed in table 7.12.3.3-1 shall include the XID of the Task created by the above ActivateTask message.

7.12.3.4 Provisioning of the MDF2

The MDF2 listed as the delivery endpoint over LI_X2 for xIRI generated by the IRI-POIs shall be provisioned over LI_X1 by the LIPF.

Table 7.12.3.4-1 shows the minimum details of the LI_X1 ActivateTask message used for provisioning the MDF2.

Table 7.12.3.4-1 ActivateTask message for MDF2

ETSI TS 103 221-1 [7] field name	Description	M/C/O
XID	XID assigned by LIPF. The value used here shall also be same as the value used for provisioning the IRI-POIs, CC-TFs, and MDF3 (see table 7.12.3.5-1).	M
TargetIdentifiers	One or more of the target identifiers listed in the clause 7.12.2.2 with the embedded conditions implied.	M
DeliveryType	Not used.	M
ListOfDIDs	Delivery endpoints of LI_HI2. These delivery endpoints shall be configured using the <i>CreateDestination</i> message as described in ETSI TS 103 221-1 [7] clause 6.3.1 prior to first use.	M
ListOfMediationDetails	Sequence of Mediation Details, see table 7.12.3.4-2.	M

Table 7.12.3.4-2: Mediation Details for MDF2

ETSI TS 103 221-1 [7] field name	Description	M/C/O
LIID	Lawful Intercept ID associated with the task.	M
DeliveryType	Set to "HI2Only".	M
ListOfDIDs	Details of where to send the IRI for this LIID. Shall be included if deviation from the ListOfDIDs in the ActivateTask message is necessary. If included, the ListOfDIDs in the Mediation Details shall be used instead of any delivery destinations authorised by the ListOfDIDs field in the ActivateTask Message.	C
ServiceScoping	Present if service scoping is required. Using the format defined in ETSI TS 103 221-1 [7] include the service scoping as applicable to this LIID based on the service scoping listed below the table.	C

The MDF2 shall support the following service scoping from the structure defined in ETSI TS 103 221-1 [7]:

- The enumerated value of "voice" or "messaging" in the service type field.

- When location reporting is required, one or both of "reportBeginingAndEnd", "reportUponChange".

The ModifyTask and DeactivateTask messages that the LIPF may send to the MDF2 present in the NFs listed in table 7.12.3.4-1 shall include the XID of the Task created by the above ActivateTask message.

7.12.3.5 Provisioning of the MDF3

The MDF3 listed as the delivery endpoint over LI_X3 for xCC generated by the IRI-POIs shall be provisioned over LI_X1 by the LIPF.

Table 7.12.3.5-1 shows the minimum details of the LI_X1 ActivateTask message used for provisioning the MDF3.

Table 7.12.3.5-1 ActivateTask message for MDF3

ETSI TS 103 221-1 [7] field name	Description	M/C/O
XID	XID assigned by LIPF. The value used here shall also be same as the value used for provisioning the IRI-POIs, CC-TFs, and MDF2 (see table 7.12.3.4-1).	M
TargetIdentifiers	One or more of the target identifiers listed in the clause 7.12.2.2 with the embedded conditions implied.	M
DeliveryType	Not used.	M
ListOfDIDs	Delivery endpoints of LI_HI3. These delivery endpoints shall be configured using the <i>CreateDestination</i> message as described in ETSI TS 103 221-1 [7] clause 6.3.1 prior to first use.	M
ListOfMediationDetails	Sequence of Mediation Details, See table 7.12.3.5-2.	M

Table 7.12.3.5-2: Mediation Details for MDF3

ETSI TS 103 221-1 [7] field name	Description	M/C/O
LIID	Lawful Intercept ID associated with the task.	M
DeliveryType	Set to "HI3Only".	M
ListOfDIDs	Details of where to send the CCI for this LIID. Shall be included if deviation from the ListofDIDs in the ActivateTask message is necessary. If included, the ListOfDIDs in the Mediation Details shall be used instead of any delivery destinations authorised by the ListOfDIDs field in the ActivateTask Message.	C
ServiceScoping	Present if service scoping is required. Using the format defined in ETS TS 103 221 [7] include the service scoping as applicable to this LIID based on the service scoping listed below the table.	C

When service scoping is required, the MDF3 shall support the following service scoping from the structure defined in ETSI TS 103 221-1 [7]:

- The enumerated value of "voice" or "messaging" in the service type field.

The ModifyTask and DeactivateTask messages that the LIPF may send to the MDF3 shall include the XID of the Task created by the above ActivateTask message.

7.12.4 Generation of xIRIs over LI_X2

7.12.4.1 IRI-POIs in IMS signalling functions

7.12.4.1.1 General

The IRI-POIs present in the NFs provisioned as shown in table 7.12.3.3-1 generate the xIRIs according to the conditions described in TS 33.127 [5] and illustrated in TR 33.928 [121].

As described in TS 33.127 [5] clause 7.12.3.2.2 and illustrated in TR 33.928 [121], the present document supports two deployment options:

- Default option.

- Alternate option.

The options used for LI involving a specific IMS service may be different from the option used for LI involving another IMS service. For example, a default option may be used for target non-local ID and an alternate option may be used for a local target ID.

NOTE: One of the obvious conditions not stated in the subsequent clauses is that an NF can provide an IRI-POI functions if and only if the SIP signalling messages pass through that NF.

When a condition (e.g. inbound roaming with LBO) under which an NF provides the IRI-POI functions is dependent on the handling of SIP REGISTER message, the IRI-POIs may have to scan the SIP REGISTER for all IMS users to address the case when that IMS user engages in a communication with a target non-local ID.

Generation of xIRI from Media Plane packets is described in clause 7.12.10.

7.12.4.1.2 IRI-POI in P-CSCF

7.12.4.1.2.1 Session-based IMS communications

In the default deployment option, the P-CSCF provides the IRI-POI functions when any of the following conditions are met:

- The target is inbound roaming (with LBO) IMS user and is not registered for emergency services. The E-CSCF provides the IRI-POI functions when the target is registered for the emergency services.
- An inbound roaming (with LBO) IMS user is in communication with a target non-local ID.

In the alternate deployment option, the P-CSCF always provides the IRI-POI functions except for the following cases:

- A non-roaming or outbound roaming (with HR) IMS user in communication with a target non-local ID. The S-CSCF provides the IRI-POI functions for such a case.
- An inbound roaming (with LBO) IMS user is in communication with a target non-local ID when the media is home-routed. The IBCF provides the IRI-POI functions for such a case.

With the above conditions met, the IRI-POI present in the P-CSCF identifies that an IMS-based communication is to be intercepted according to clause 7.12.2.8.

7.12.4.1.2.2 Session-independent IMS communications

In the default deployment option, the P-CSCF provides the IRI-POI functions when any of the following conditions are met:

- The target is inbound roaming (with LBO) IMS user and is not registered for emergency services. If applicable, E-CSCF provides the IRI-POI functions when IMS user is registered for emergency services.
- An inbound roaming (with LBO) IMS user is in communication with a target non-local ID.

In the alternate deployment option, the P-CSCF always provides the IRI-POI functions.

With the above conditions met, the IRI-POI present in the P-CSCF identifies that an IMS-based communication is to be intercepted according to clause 7.12.2.8.

7.12.4.1.3 IRI-POI in S-CSCF

7.12.4.1.3.1 Session-based IMS communications

In the default deployment option, the S-CSCF always provides the IRI-POI functions except for the following condition:

- The target is registered for emergency services and E-CSCF provides the IRI-POI for IMS-based emergency services.

- IMS user is in communication with a target non-local ID. The MGCF or IBCF provide the IRI-POI functions for such a case.
- The S-CSCF is not serving the target.

In the alternate deployment option, the S-CSCF provides the IRI-POI functions when any of the following condition is met:

- IMS user is in communication with a target non-local ID.
- The S-CSCF is serving the IMS user in communication with the target non-local ID.

With the above conditions met, the IRI-POI present in the S-CSCF identifies that an IMS-based communication is to be intercepted according to clause 7.12.2.8.

7.12.4.1.3.2 Session-independent IMS communications

In the default deployment option, the S-CSCF always provides the IRI-POI functions except for the following condition:

- The target is registered for emergency services and E-CSCF provides the IRI-POI for IMS-based emergency services.
- The S-CSCF is neither serving the target nor the IMS user in communication with a target non-local ID.

In the alternate deployment option, the S-CSCF does not provide the IRI-POI functions.

When the above conditions are met, the IRI-POI present in the S-CSCF identifies that an IMS-based communication is to be intercepted according to clause 7.12.2.8.

7.12.4.1.4 IRI-POI in E-CSCF

In the default deployment option, the E-CSCF provides the IRI-POI functions except for the following condition (see TR 33.928 [121]):

- S-CSCF provides the IRI-POI for emergency services.

In the alternate deployment option, the E-CSCF does not provide the IRI-POI functions.

When the above conditions are met, the IRI-POI present in the E-CSCF identifies that an IMS-based communication is to be intercepted according to clause 7.12.2.8.

7.12.4.1.5 IRI-POI in IBCF

7.12.4.1.5.1 Session-based IMS communications

In the default deployment option, the IBCF provides the IRI-POI functions when any of the following conditions are met (see TR 33.928 [121]):

- A non-roaming IMS user is in communication with a target non-local ID.
- An outbound roaming IMS user is in communication with a target non-local ID.

In the alternate deployment option, the IBCF shall provide the IRI-POI functions when any of the following conditions are met:

- The target involved is an outbound roaming (with LBO) IMS user.
- The IMS session to a target is redirected to a user in the IP domain.
- IMS session to a target is redirected to an outbound roaming (with LBO) IMS user.
- An inbound roaming (with LBO) IMS user is in communication with a target non-local ID on an IMS session that employs home-routed media.

When the above conditions are met, the IRI-POI present in the IBCF identifies that an IMS-based communication is to be intercepted according to clause 7.12.2.8.

7.12.4.1.5.2 Session-independent IMS communications

In the default deployment option, the IBCF does not provide the IRI-POI functions.

In the alternate deployment option, the IBCF provides the IRI-POI functions except for the following condition:

- The target is an inbound roaming (with LBO) IMS user. The P-CSCF provides the IRI-POI functions for such a case.
- The inbound roaming (with LBO) IMS user is in communication with a non-local target. The P-CSCF provides the IRI-POI functions for such a case.

When the above conditions are met, the IRI-POI present in the IBCF identifies that an IMS-based communication is to be intercepted according to clause 7.12.2.8.

7.12.4.1.6 IRI-POI in MGCF

7.12.4.1.6.1 Session-based IMS communications

In the default deployment option, the MGCF provides the IRI-POI functions when any of the following conditions are met:

- A non-roaming IMS user is in communication with a target non-local ID.
- An outbound roaming IMS user is in communication with a target non-local ID.

For session-based IMS communications, in the alternate deployment option, the MGCF shall provide the IRI-POI functions when the following condition is met:

- The IMS session to a target is redirected to a user in the CS domain.

When the above conditions are met, the IRI-POI present in the MGCF identifies that an IMS-based communication is to be intercepted according to clause 7.12.2.8.

7.12.4.1.6.2 Session-independent IMS communications

For session-independent IMS communications, the MGCF does not provide the IRI-POI functions.

7.12.4.1.7 IRI-POI in AS

7.12.4.1.7.1 Session-based IMS communications

In both default and alternate deployment options, the AS provides the IRI-POI when the interception of IMS sessions involving special services such as conferencing is required. IMS-AS also provides the IRI-POI functions when the called party address changes due to digit translation when the translation takes place at the IMS-AS.

The IRI-POI present in the AS identifies that an IMS-based communication is to be intercepted according to clause 7.12.2.8.

7.12.4.1.7.2 Session-independent IMS communications

For session-independent IMS communications, the AS does not provide the IRI-POI functions.

7.12.4.1.8 IRI-POI in DCSF

The DCSF provides the IRI-POI when the interception of IMS Data Channel services is required.

The IRI-POI present in the DCSF identifies the IMS Data Channel services to be intercepted according to clause 7.12.2.5.8.

The present document defines the following xIRIs for the IMS Data Channel LI:

- IMSDataChannelSetup.
- IMSDataChannelModification.
- IMSDataChannelTermination.

The above xIRIs generated for an IMS Data Channel shall be correlated.

7.12.4.2 IMS records

7.12.4.2.1 IMS Message

For an intercepted IMS based communication (see clause 7.12.2.8), the IRI-POI present in the IMS Signalling Function shall generate the xIRI IMSMessage from the SIP message used to handle that IMS based communication. All SIP messages use the same xIRI record as shown in table 7.12.4.2-1.

Table 7.12.4.2-1: Payload for IMSMessage record

Field name	Type	Cardinality	Description	M/C/O
payload	IMSPayload	1	Contains the payload of the SIP Message. See clause 7.12.4.3.1.	M
sessionDirection	SessionDirection	1	Indicates the direction of the SIP session. See clause 7.12.4.3.2.(see NOTE).	M
voIPRoamingIndication	VoIPRoamingIndication	0..1	Indicates the roaming mode in use by the target for the reported message. Shall be present if the target is in a roaming state. See clause 7.12.4.3.3.	C
location	Location	0..1	Location with timestamp, if available. Shall include all location information for the target UE available at the NF where the POI is located encoded as a <i>Location.iMSLocation</i> parameter.	C
accessNetworkInformation	SEQUENCE OF SIPAccessNetworkInformation	0..MAX	Provides non-location related access network information. Shall be present if available at the NF where the POI is located. One instance of <i>SIPAccessNetworkInformation</i> shall be used for each P-Access-Network-Information header.	C
cellularNetworkInformation	SEQUENCE OF SIPCellularNetworkInformation	0..MAX	Provides non-location related cellular network information. Shall be present if available at the NF where the POI is located. One instance of <i>SIPCellularNetworkInformation</i> shall be used for each Cellular-Network-Info header.	C
NOTE: When an incoming call to a target is redirected to another user, the <i>sessionDirection</i> field shall be set to <i>toTarget</i> . When an incoming call from a target non-local ID to an IMS user is redirected to, the <i>sessionDirection</i> field shall be set to <i>fromTarget</i> .				

Table 7.12.4.2-2: Void

The IRI-POI present in the IMS Signalling Function generating an xIRI containing an IMSMessage record shall set:

- The Payload Direction field in the PDU header to the direction of the signalling message carried in the IRI payload (see ETSI TS 103 221-2 [8] clause 5.2.6). If the signalling message was sent from the target, the Direction Value "3" (sent from the target) shall be used, if the signalling message was sent to the target, the Direction Value "2" (sent to the target) shall be used; if the direction could not be determined reliably, the Direction Value "1" (not known to the POI) shall be used. If the SIP message is sent from and to the target, the Direction Value "4" (more than one direction) shall be used. For the SIP messages generated by the network, the Direction Value "5" (not applicable) shall be used.

- The conditional source IPv4 address or source IPv6 address field in the PDU header to the source IP address of the intercepted SIP message (see ETSI TS 103 221-2 [8] clause 5.3). It shall contain the source address of the packet from the 32-bit "Source Address" field in IPv4, as defined in IETF RFC 791 [34], or from the 128-bit "Source Address" field in IPv6, as defined in IETF RFC 2460 [27].
- The conditional destination IPv4 address or destination IPv6 address field in the PDU header to the destination IP address of the intercepted SIP message (see ETSI TS 103 221-2 [8] clause 5.3). It shall contain the destination address of the packet from the 32-bit "Source Address" field in IPv4, as defined in IETF RFC 791 [34], or from the 128-bit "Source Address" field in IPv6, as defined in IETF RFC 2460 [27].

7.12.4.2.2 Start of interception with Active IMS session

The IRI-POI present in the IMS signalling Function shall generate the xIRI StartOfInterceptionForActiveIMSSession when all of the following conditions are met:

- The IRI-POI receives an LI_X1: ActivateTask from the LIPF.
- The IRI-POI detects the IMS user identified by one or more of the target identifier (s) included in the ActivateTask is on an active IMS session.
- The-IRI-POI in the IMS signalling Functions meets the criteria mentioned in TS 33.127 [5] for providing the IRI-POI functions.

The generation of the xIRI shall be independent of the IMS media associated with the session. If multiple IMS sessions are active at the start of interception, a StartOfInterceptionForActiveIMSSession record shall be generated for each active session.

Table 7.12.4.2-3 contains the details of the StartOfInterceptionForActiveIMSSession record.

Table 7.12.4.2-3: Payload for StartOfInterceptionForActiveIMSSession record

Field name	Type	Cardinality	Description	M/C/O
originatingId	SEQUENCE OF IMPU	1..MAX	Identities of the originator of the session.	M
terminatingId	IMPU	1	Identities of the termination of the service.	M
sDPState	SEQUENCE OF OCTET STRING	0..MAX	Indicates the latest state of session from the IMS signalling Function (including LMISF). Additionally, provides the agreed SDP answer and related modification (encoded in SDP format as per RFC 4566 [43] clause 5 when known) for each media stream of the target.	C
diversionIdentity	IMPU	0..1	Provided if available and applicable.	C
voIPRoamingIndication	VoIPRoamingIndication	0..1	Indicates the roaming mode in use by the target for the reported message. Shall be present if the target is in a roaming state. See clause 7.12.4.3.3.	C
location	Location	0..1	Location with timestamp, if available. Shall include all location information for the target UE available at the NF where the POI is located encoded as a <i>Location.imsLocation</i> parameter.	C
accessNetworkInformation	SEQUENCE OF SIPAccessNetworkInformation	0..MAX	Provides non-location related access network information. Shall be present if available at the NF where the POI is located. One instance of SIPAccessNetworkInformation shall be used for each P-Access-Network-Information header.	C
cellularNetworkInformation	SEQUENCE OF SIPCellularNetworkInformation	0..MAX	Provides non-location related cellular network information. Shall be present if available at the NF where the POI is located. One instance of SIPCellularNetworkInformation shall be used for each Cellular-Network-Info header.	C

7.12.4.2.3 IMS CC Unavailable

The IRI-POI present in the IMS signalling Function that also has the CC-TF (which would have triggered the media interception at the CC-POI) shall generate the xIRI IMSCCUnavailable when the media is not available for interception in the CSP's network.

Accordingly, the IRI-POI present in the IMS signalling Function that has the CC-TF shall generate the xIRI IMSCCUnavailable when the following conditions are met:

- The target of interception is on an IMS session with established SDP offer and answer.
- The media does not enter the IMS network of the CSP that has received the warrant. In other words, the CC-TF does not send the LI_T3 ActivateTask to the CC-POI.
- The CSP is required to send a notification to the LEMF when the media interception is required but not available for the interception.

NOTE: The details of any interactions required between the IRI-POI and CC-TF present in the same IMS Signalling Function (e.g. IBCF) is outside the scope of the present document.

The payload of the IMSCCUnavailable xIRI is as shown in table 7.12.4.2-4.

Table 7.12.4.2-4: Payload for IMSCCUnavailable record

Field name	Type	Cardinality	Description	M/C/O
cCUnavailableReason	UTF8String	1	Provides the reason for the unavailability of CC.	M
sDPState	OCTET STRING	0..1	The latest SDP information, if known.	C

7.12.4.2.4 IMS Data Channel Setup

The IRI-POI present in the DCSF that also has the CC-TF (which would have triggered the media interception at the CC-POI) shall generate the IMSDataChannelSetup xIRI when the IRI-POI in the DCSF detects that the IMS DC has been successfully setup.

Accordingly, the IRI-POI present in the DCSF shall generate the IMSDataChannelSetup xIRI when the following conditions are met:

- The target match conditions are satisfied as described in clause 7.12.2.8.2.2.

AND

- A SessionEventNotification with the EventType of "SESSION_ESTABLISHMENT_SUCCESS" of "MEDIA_CHANGE_SUCCESS" (when the IMS DC is setup during a SIP re-Invite) is received from the IMS-AS.

Table 7.12.4.2.4-1: Payload for IMSDataChannelSetup record

Field name	Type	Cardinality	Description	M/C/O
targetIdentity	IMPU	1	Identity of the target	M
callingIdentity	IMPU	0..1	Identities of the originator of the session.	C
calledIdentity	IMPU	1..MAX	Identity of the terminating party.	C
sessionEventNotification	SBType	0..1	Contains the entire payload of the Session Event Notification sent from the DC-AS to the DCSF. Shall be encoded as per TS 29.175 [138] clause 6.1.6.2.2. The SBReference for this parameter shall be populated with 'TS29175_Nimsas_SessionEventControl.yaml#/components/schemas/Nims_SessionEventControlService' as specified in TS 29.175 [138] clause A.2.	C
mediaInstructionData	SBType	0..1	Contains the entire payload of the Media Instruction sent from the DCSF to the DC-AS. The SBReference for this parameter shall be populated with 'TS29175_Nimsas_MediaControl.yaml#/components/schemas/Nimsas_MediaControlService' as specified in TS 29.175 [138] clause A.3.	C

7.12.4.2.5 IMS Data Channel Modification

The IRI-POI present in the DCSF shall generate the IMSDataChannelModification xIRI when the POI in the DCSF observes a media change event resulting in a modification to an existing target IMS Data Channel session.

Accordingly, the IRI-POI present in the DCSF shall generate the IMSDataChannelModification xIRI when the following conditions are met:

- The target match conditions are satisfied as described in clause 7.12.2.8.2.2.

AND

- The DCSF receives a NotificationEvent from the DC-AS for the target with the eventType set to "MEDIA_CHANGE_SUCCESS" when the IMS Data Channel Setup has already been sent.

Table 7.12.4.2.5-1: Payload for IMSDataChannelModification record

Field name	Type	Cardinality	Description	M/C/O
targetIdentity	IMPU	1	Identity of the target	M
callingIdentity	IMPU	0..1	Identity of the originating party of the session.	C
calledIdentity	IMPU	1..MAX	Identity of the terminating party.	C
sessionEventNotification	SBType	0..1	Contains the entire payload of the Session Event Notification sent from the DC-AS to the DCSF. Shall be encoded as per TS 29.175 [138] clause 6.1.6.2.2. The SBReference for this parameter shall be populated with 'TS29175_Nimsas_SessionEventControl.yaml#/components/schemas/Nims_SessionEventControlService' as specified in TS 29.175 [138] clause A.2.	C
mediaInstructionData	SBType	0..1	Contains the entire payload of the Media Instruction sent from the DCSF to the DC-AS. The SBReference for this parameter shall be populated with 'TS29175_Nimsas_MediaControl.yaml#/components/schemas/Nimsas_MediaControlService' as specified in TS 29.175 [138] clause A.3.	C

7.12.4.2.6 IMS Data Channel Termination

The IRI-POI present in the DCSF shall generate the IMSDataChannelTermination xIRI when the IMS Data Channel previously setup for the target is terminated.

Accordingly, the IRI-POI present in the DCSF shall generate the IMSDataChannelTermination xIRI when the following conditions are met:

- The target match conditions are satisfied as described in clause 7.12.2.8.2.2.

AND

- The DCSF receives a session control event for the target with the NotificationEvent, eventType parameter set to "SESSION_TERMINATION".

Table 7.12.4.2.6-1: Payload for IMSDataChannelTermination record

Field name	Type	Cardinality	Description	M/C/O
targetIdentity	IMPU	1	Identity of the target	M
callingIdentity	IMPU	0..1	Identities of the originator of the session.	C
calledIdentity	IMPU	1..MAX	Identity of the terminating party.	C
sessionEventNotification	SBType	0..1	Contains the entire payload of the Session Event Notification sent from the DC-AS to the DCSF. Shall be encoded as per TS 29.175 [138] clause 6.1.6.2.2. The SBReference for this parameter shall be populated with 'TS29175_Nimsas_SessionEventControl.yaml#/components/schemas/Nims_SessionEventControlService' as specified in TS 29.175 [138] clause A.2.	C
mediaInstructionData	SBType	0..1	Contains the entire payload of the Media Instruction sent from the DCSF to the DC-AS. The SBReference for this parameter shall be populated with 'TS29175_Nimsas_MediaControl.yaml#/components/schemas/Nimsas_MediaControlService' as specified in TS 29.175 [138] clause A.3.	C

7.12.4.3 IMS record parameters

7.12.4.3.1 Type: IMSPayload

Table 7.12.4.3.1-1 contains the details for the IMSPayload type.

Table 7.12.4.3.1-1: Definition of Choices for IMSPayload

CHOICE	Type	Description
encapsulatedSIPMessage	SIPMessage	Contains the entire payload of the SIP message in the original encoding. Shall be chosen if the payload of the original SIP message contains only authorised information
modifiedSIPMessage	ModifiedSIPMessage	Contains the modified encapsulated SIP message and a list of the modifications performed. Shall be chosen if the original payload of the SIP message being reported contains any information that is not authorised.

7.12.4.3.2 Enumeration: SessionDirection

The SessionDirection indicates the direction of the SIP session with regards to the target.

Table 7.12.4.3.2-1 contains the details for the SessionDirection type.

Table 7.12.4.3.2-1: Enumeration SessionDirection

Enumeration value	Description
fromTarget(1)	The session was initiated by the target.
toTarget(2)	The session was initiated by a party that is not the target.
combined(3)	The target initiates a session toward itself.
indeterminate(4)	The direction of the session cannot be determined.

7.12.4.3.3 Enumeration: VoIPRoamingIndication

The VoIPRoamingIndication indicates the type of roaming in use when the target is in a roaming state.

Table 7.12.4.3.3-1 contains the details for the VoIPRoamingIndication type.

Table 7.12.4.3.3-1: Enumeration VoIPRoamingIndication

Enumeration value	Description
roamingLBO(1)	The target is roaming and using Local Breakout.
roamingS8HR(2)	The target is using S8 Home Routed Roaming.
roamingN9HR(3)	The target is using N9 Home Routed Roaming.

7.12.4.3.4 Type: SIPMessage

Table 7.12.4.3.4-1: Structure of the SIPMessage type

Field name	Type	Cardinality	Description	M/C /O
iPSourceAddress	IPAddress	1	Indicates the conditional source IPv4 address or source IPv6 address field in the PDU header to the source IP address of the intercepted SIP message (see ETSI TS 103 221-2 [8] clause 5.3).	M
iPDestinationAddress	IPAddress	1	Indicates the conditional destination IPv4 address or destination IPv6 address field in the PDU header to the destination IP address of the intercepted SIP message (see ETSI TS 103 221-2 [8] clause 5.3).	M
sIPContent	OCTET STRING	1	The relevant SIP message, or SIP message header if the warrant requires IRI-only. In addition, for IRI-only intercepts, specific content (e.g. SIP MESSAGE method) may have to be deleted.	M

7.12.4.3.5 Type: SIPAccessNetworkInformation

Table 7.12.4.3.5-1: Structure of the SIPAccessNetworkInformation type

Field name	Type	Cardinality	Description	M/C /O
accessNetworkInfo	UTF8String	1	Contains the contents of the P-Access-Network-Info Header not including the text from any access-info parameter fields. This field shall include any extension-access-info parameter fields (see TS 24.229 [74] clause 7.2A.4).	M
servingPLMN	PLMNID	0..1	Indicates the PLMN of the serving network. Shall be included if this information is present in the access-info field of the PANI header.	C

7.12.4.3.6 Type: SIPCellularNetworkInformation

Table 7.12.4.3.6-1: Structure of the SIPCellularNetworkInformation type

Field name	Type	Cardinality	Description	M/C /O
cellularNetworkInfo	UTF8String	1	Contains the contents of the Cellular-Network-Info Header not including the text from any cellular-access-info field parameters. This field shall include any extension-access-info parameter fields (see TS 24.229 [74] clause 7.2.15).	M
servingPLMN	PLMNID	0..1	Indicates the PLMN of the serving network. Shall be included if this information is present in the access-info field of the CNI header.	C

7.12.4.3.7 Type: ModifiedSIPMessage

Table 7.12.4.3.7-1: Structure of the ModifiedSIPMessage type

Field name	Type	Cardinality	Description	M/C /O
modifiedSIPContent	SIPMessage	1	The relevant SIP message with the unauthorised information removed as described in clause 7.12.9.	M
modifications	PayloadModifications	1	Contains the list of modifications done to the modifiedSIPContent.	M

7.12.5 Triggering of CC-POI by CC-TF over LI_T3

7.12.5.1 CC-TFs in IMS signalling functions

7.12.5.1.1 General

The CC_TFs present in the NFs provisioned as shown in table 7.12.3.3-1 activate the CC-POIs according to the conditions described in TS 33.127 [5] and illustrated in TR 33.928 [121].

NOTE 1: One of the obvious conditions not stated in the subsequent clauses is that an NF can provide the CC-TF functions if and only if the SIP signalling messages pass through that NF.

NOTE 2: The CC-TF functions apply only for session-based IMS communications.

When a condition (e.g. inbound roaming with LBO) under which an NF provides the CC-TF functions is dependent on the handling of SIP REGISTER message, the CC-TFs may have to scan the SIP REGISTER for all IMS users to address the case when that IMS user engages in a communication with a target non-local ID.

7.12.5.1.2 CC-TF in P-CSCF

The P-CSCF provides the CC-TF functions when the CC-POI functions are provided at the IMS-AGW.

The P-CSCF always provides the CC-TF functions (based on the call direction, of-course) except for the following cases:

- A non-roaming IMS user in communication with a target non-local ID. IBCF or MGCF provide the CC-TF functions for that case.
- An outbound roaming (with LBO) IMS user is in communication with a target non-local ID. IBCF or MGCF provide the CC-TF functions for that case.

When an inbound roaming (LBO) IMS user is in communication with a target non-local ID, two deployment options are defined (see TS 33.127 [5]) for providing the CC-TFs functions. The P-CSCF provides the CC-TF functions except for the following case:

- An inbound roaming (with LBO) IMS user is in communication with a target non-local ID when the media is home-routed. IBCF provides the CC-TF functions for that case.

With the above conditions met, the CC-TF present in the P-CSCF identifies that an IMS-based communication is to be intercepted according to clause 7.12.2.8.

7.12.5.1.3 CC-TF in IBCF

The IBCF provides the CC-TF functions when the CC-POI functions are provided at the TrGW.

The IBCF provides the CC-TF functions when any of the following conditions are met (see TR 33.928 [121]):

- A non-roaming IMS user is in communication with a target non-local ID in the IP domain.
- An outbound roaming IMS user is in communication with a target non-local ID in the IP domain.
- IMS session is to an outbound roaming (with LBO) target.
- An IMS session to a target is redirected to a user in the IP domain.
- An IMS session to a target is redirected to an outbound roaming (with LBO) IMS user.
- An inbound roaming (with LBO) IMS user is in communication with a target non-local ID on an IMS session that employs home-routed media and alternate deployment option is used for media interception.

When the above conditions are met, the CC-TF present in the IBCF identifies that an IMS-based communication is to be intercepted according to clause 7.12.2.8.

7.12.5.1.4 CC-TF in MGCF

The MGCF provides the CC-TF functions when the CC-POI functions are provided at the IM-MGW.

The MGCF provides the CC-TF functions when any of the following conditions are met (see TR 33.928 [121]):

- A non-roaming IMS user is in communication with a target non-local ID in the CS domain.
- An outbound roaming IMS user is in communication with a target non-local ID in the CS domain.
- An IMS session to a target is redirected to a user in the CS domain.

When the above conditions are met, the CC-TF present in the MGCF identifies that an IMS-based communication is to be intercepted according to clause 7.12.2.8.

7.12.5.1.5 CC-TF in AS/MRFC

The AS/MRFC provides the CC-TF functions when the CC-POI functions are provided at the MRFP.

The AS/MRFC provides the CC-TF functions when the interception of IMS sessions involving special services such as conferencing, music or tones is required.

The CC-TF present in the AS/MRFC identifies that an IMS-based communication is to be intercepted according to clause 7.12.2.8.

7.12.5.1.6 IMS Data Channel media interception

7.12.5.1.6.1 General

The CC-POI functions for IMS Data Channel may be provided by the DC-AS or the MF.

When the MF is functioning as an UDP Proxy for A2P or P2A type of IMS Data Channel, the media is exchanged between the target UE and the DC-AS over a DTLS tunnel and will be encrypted at the MF. The media interception in this case is provided by the CC-POI present in the DC-AS.

NOTE 1: In the event DC-AS is provided by a third party provider, media is not available in the CSP domain in an unencrypted form.

When the MF is functioning as a HTTP Proxy for A2P, P2A, P2P, P2A2P type of IMS Data Channels, the media is in the encrypted form between the UE and the MF, and then between MF and either a DC-AS or other party's UE. In this case, the media interception is provided by the CC-POI present in the MF.

NOTE 2: When the MF is functioning as an UDP Proxy for P2P type of IMS Data Channel, the media exchanged between the two UEs are via a DTLS tunnel and will be encrypted at the MF. In such case, the media is not available in the CSP domain in an unencrypted form. As a result, the delivery of intercepted media in an unencrypted form is not possible.

7.12.5.1.6.2 CC-TF in DCSF

The DCSF provides the CC-TF functions when the following conditions are met:

- The CC-POI functions are provided at the DC-AS.
- Target match as described in clause 7.12.2.8.2.2 are met.

DC-AS provides the CC-POI functions when the MF is used as a UDP proxy for A2P and P2A IMS Data Channel.

7.12.5.1.6.3 CC-TF in IMS-AS

The IMS-AS provides the CC-TF when the following conditions are met:

- The CC-POI functions are provided by the MF. Target match as described in clause 7.12.2.8.2.2 is met.

MF provides the CC-POI functions when the MF is functioning as a HTTP Proxy for A2P, P2A, P2P, P2A2P type of IMS Data Channel.

7.12.5.2 LI_T3 triggering details

7.12.5.2.1 General

As described in clause 7.12.5.1, the CC-POI may reside in the IMS-AGW, TrGW, IM-MGW, MRFP or the MF. The trigger to perform the media interception is provided by the CC-TF present in the P-CSCF, IBCF, MGCF, AS/MRFC, IMS-AS respectively.

NOTE 1: The present document assumes that the above NFs that have the CC-TF and the NFs that have the CC-POI interact with each other using the H.248 messages.

When the IRI-POI and the CC-TF are provided by two different NFs, the interception of media is performed at the core-network side of the NF that has the CC-POI. This is to align the media interception with the SDP information reported in the xIRI.

When the IRI-POI and the CC-TF are provided by the same NF, based on the deployment option, the interception of media can be done at the access side or core network side of an IMS-AGW, at the peer network side or the core network side of an TrGW. For the IM-MGW, the media interception is always done on the core network side since the peer network is in CS domain. For the MRFP and MF, all sides are core network and therefore, the media interception is always on the core network side.

In some IMS data channel scenarios, the CC-POI functions may also be provided by the DC-AS with DCSF providing the CC-TF functions.

The possibilities of such media interception points are illustrated in figure 7.12.5.2-1.

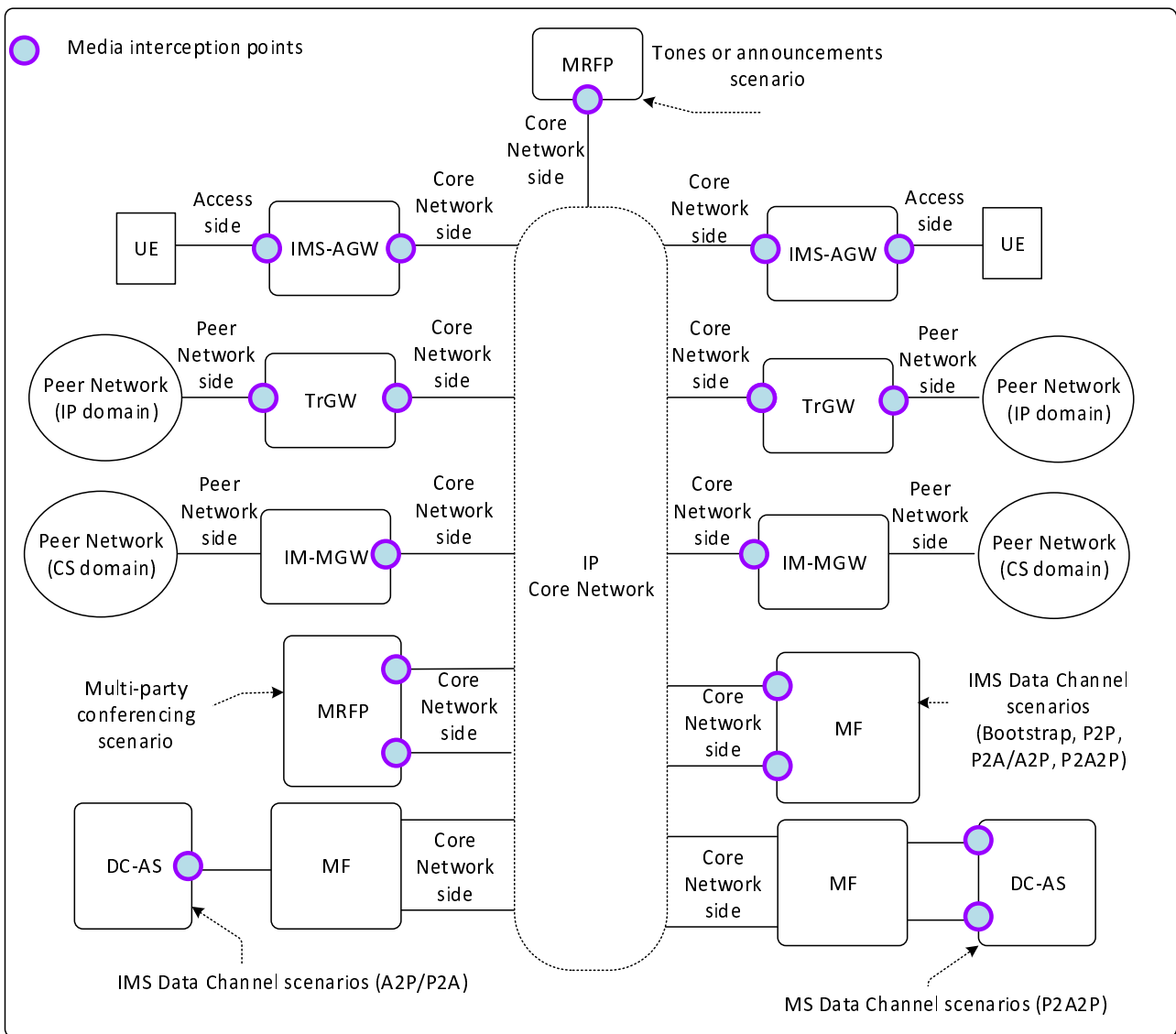


Figure 7.12.5.2-1: Media interception point options in the CC-POIs

NOTE 2: Even when the option of access side or peer network side is chosen, for certain session scenarios (e.g. hold), media interception may have to be moved to the core network side.

The time at which trigger is sent to the CC-POI has a relationship to the NF (that has the CC-TF) handling of SIP messages that carry the SDP offer and SDP answer as those SIP messages result in the NF (that has the CC-TF) creating/modifying the media contexts at the NF that handles the media.

The procedures used to activate (i.e. trigger) the media interception at the CC-POI present in IMS-AGW, TrGW and IM-MGW are the same. The procedures used to activate (i.e. trigger) the media interception at the MRFP can be different due to the nature of media functions provided by the MRFP can be different (e.g. conferencing, announcements).

7.12.5.2.2 Activation Task

7.12.5.2.2.1 Overview

The ActivateTask message over the LI_T3 interface is sent from CC-TF to CC-POI as a trigger to start the media interception at the CC-POI. The details of the ActivateTask are as shown in table 7.12.5.2.2-1:

Table 7.12.5.2.2-1: ActivateTask message for triggering the CC-POI over LI_T3

ETSI TS 103 221-1 [7] field name	Description	M/C/O
XID	Allocated by the CC-TF as per ETSI TS 103 221-1 [7].	M
TargetIdentifiers	IP address and the UDP port number are to be used at the CC-POI in identifying the IMS media that needs to be intercepted. See table 7.12.5.2.2-2.	M
DeliveryType	Set to "X3Only".	M
ListOfDIDs	Shall give the DID of the MDF3 to which the xCC should be delivered. The delivery endpoint is configured using the CreateDestination message as described in ETSI TS 103 221-1 [7] clause 6.3.1 prior to the task activation.	M
CorrelationID	This value is set by the CC-TF and shall be same as the value to be used in the xCC generated at the CC-POI.	M
ProductID	Shall be set to the XID of the Task Object associated with the interception at the CC-TF. This value shall be used by the CC-POI to fill the XID field of xCC sent over LI_X3 to the MDF3.	M
TaskDetailsExtensions/SDP	See table 7.12.5.2.2-3.	M

Along with the IP address and UDP port number, a few additional identifiers are needed for the media interception. These are shown as TargetIdentifierExtension in table 7.12.5.2.2-2 and TaskDetailsExtensions in table 7.12.5.2.2-3.

Table 7.12.5.2.2-2: Target identifiers and extensions for LI_T3

Identifier type	Owner	ETSI TS 103 221-1 [7] TargetIdentifier type	Definition
IPv4 Address	ETSI	IPv4Address	ETSI TS 103 221-1 [7]
IPv6 Address	ETSI	IPv6Address	ETSI TS 103 221-1 [7]
UDP Port Number	ETSI	UDPPort	ETSI TS 103 221-1 [7]
H248 Context ID	3GPP	TargetIdentifierExtension/ H248ContextID	H248ContextID (see XSD Schema)
Payload Direction Assignment	3GPP	TargetIdentifierExtension/ PayloadDirectionAssignment	PayloadDirectionAssignment (see XSD Schema)
Trigger Scope	3GPP	TargetIdentifierExtension/ TriggerScope	TriggerScope (see XSD Schema)

Table 7.12.5.2.2-3: SDP task details extensions for LI_T3

Extensions field name	Description	M/C/O
LocalSDP	SDP sent to the remote end of the session (see paragraph below)	C
RemoteSDP	SDP received from the remote end of the session (see paragraph below)	C

The IP address and the UDP port number as target identifiers give the destination address at the UDP layer of the to-be intercepted media. For symmetric media, the same IP address and UDP port number give the source address at the UDP layer of the to-be-intercepted media in the reverse direction.

The H248ContextID identifies the identity of the media context created at the IMS Media Function using the H.248 Add Context message.

The TriggerScope indicates whether IP address and UDP port number included as the target identifiers in the LI_T3 ActivateTask are to be used for bidirectional media or unidirectional media. In the latter case, a separate trigger shall be sent to intercept media in the reverse direction. "Bidirectional" and "Unidirectional" are the values that can be set for the TriggerScope by the CC-TF in the ActivateTask message.

When the TriggerScope is "Unidirectional", the IP address and UDP port number identify the destination IP address and the UDP port number of the intercepted IMS media stream. When the TriggerScope is "Bidirectional", the IP address and UDP port number identify the destination IP address and UDP port number of the incoming intercepted IMS media and the source IP address and UDP port number of the outgoing IMS media.

The PayloadDirectionAssignment field indicates the direction of the media stream destined to the IP address and UDP port number (indicated as target identifiers in the ActivateTask) from the perspective of the target. "FromTarget", "ToTarget" and "NotDetermined" are the values that can be set for this by the CC-TF in the ActivateTask message.

The LocalSDP provides the SDP information to be sent in a SIP message by the NF that has the CC-TF. The RemoteSDP provides the SDP information received in a SIP message at the NF that has the CC-TF. In some cases, both LocalSDP and RemoteSDP may be included in the ActivateTask message. The CC-POI is expected to use the LocalSDP to populate the SDP Session Description field of the X3 PDUs for the incoming media streams and to use the RemoteSDP to populate the SDP Session Description field of the X3 PDUs for the outgoing media streams.

7.12.5.2.2.2 Activation of CC-POI in IMS-AGW, TrGW, IM-MGW

The CC-TF shall send a trigger to the CC-POI using the ActivateTask message over the LI_T3 interface for an intercepted IMS session (as determined according to the clause 7.12.2.8) that requires the CC interception when the following occur:

- The NF that has the CC-TF receives the acknowledgement (i.e. H.248 Reply) to the H.248: Add Context from the NF that has the CC-POI. The H.248: Add Context is sent when the SIP message that contains the SDP offer is handled.
- The CC-TF receives an ActivateTask from the LIPF over LI_X1 with CC interception required for an IMS session with an already established SDP offer and possibly SDP answer as well. This process is part of a mid-session activation of interception.

When the media streams are asymmetric, the CC-TF shall send a second trigger to the CC-POI using the ActivateTask message over the LI_T3 interface to intercept the media in the reverse direction when the following occur:

- When the SDP offer is received from the side where the media interception is done, the NF that has the CC-TF receives the acknowledgement (i.e. H.248 Reply) to the H.248: Add Context from the NF that has the CC-POI. The H.248: Add Context is sent when the SIP message that contains the SDP offer is handled. This happens at the same time the first trigger (LI_T3 ActivateTask) is sent.
- When the SDP answer is received from the side where the media interception is done, the NF that has the CC-TF receives the acknowledgement (i.e. H.248 Reply) to the H.248 Mod Context from the NF that has the CC-POI. The H.248: Mod Context is sent when the SIP message that contains the SDP answer is handled.
- The CC-TF receives an ActivateTask from the LIPF over LI_X1 with CC interception required for an IMS session with an already established SDP offer and possibly SDP answer as well. This process is part of a mid-session activation of interception.

The details of ActivateTask sent from the CC-TF to the CC-POI over LI_T3 are shown in table 7.12.5.2.2-1.

For the trigger (for the asymmetric media case, it is the first trigger):

- The CC-TF shall use the IP address and UDP port number present in the local descriptor part of the acknowledgement (i.e. H.248 Reply) to an H.248 Add context message. The same IP address and the UDP port numbers are also present in the SIP messages that carry the SDP offer or SDP answer (depending on the SIP message direction and the session scenario).

NOTE 1: The SDP offer may be present in a forward SIP message (e.g. SIP INVITE) or in a response SIP message (e.g. SIP 200 OK). In the latter case, the trigger to perform media interception is sent when the response SIP message is handled.

When the CC-TF and IRI-POI are present in different NFs, the IP address and the UDP port number are associated with the core network side of the NF that has the CC-POI.

When the CC-TF and the IRI-POI are in the same NF, as a deployment option, the CC-TF may choose the side for media interception and hence, includes the IP address and the UDP port number that correspond to the side at which the media interception is to be done. The sides thus chosen based on the IP address and UDP port number can be the access side or core network side when the CC-POI is in IMS-AGW, the side can be peer network side or core network side when the CC-POI is in TrGW, and the side is always the core network side when the CC-POI is in the

IM-MGW (see figure 7.12.5.2-1). The CC-POI is expected to perform the media interception on the side as determined by that IP address and the UDP port number.

For the second trigger that applies to asymmetric media case:

- The CC-TF shall use the IP address and UDP port number present in the remote descriptor part of the of the H.248 transaction that happens between the NF that has the CC-TF and the NF that has the CC-POI. The same IP address and the UDP port numbers are also present in the SIP messages that carry the SDP offer or SDP answer (depending on the SIP message direction and the session scenario).

The remote IP address and the UDP port number are on the same side where the local IP address and UDP port number were provided in the first trigger.

The values that the CC-TF sets for the PayloadDirectionAssignment and TriggerScope shall be determined as described in tables 7.12.5.2.2-4 and 7.12.5.2.2-5.

Table 7.12.5.2.2-4: PayloadDirectionAssignment and TriggerScope values (target identifier from local descriptor)

Media interception side		PayloadDirectionAssignment		TriggerScope	
		Not a non-local ID	Non-local ID	Symmetric media	Asymmetric media
IMS-AGW	Access	FromTarget	ToTarget	"Bidirectional"	n/a
	Core network	ToTarget	FromTarget	"Bidirectional"	"Unidirectional"
TrGW	Peer network	FromTarget	FromTarget	"Bidirectional"	"Unidirectional"
	Core network	ToTarget	ToTarget	"Bidirectional"	"Unidirectional"
IM-MGW	Core network	ToTarget	ToTarget	"Bidirectional"	"Unidirectional"

Table 7.12.5.2.2-5: PayloadDirectionAssignment and TriggerScope values (target identifier from remote descriptor)

Media interception side		PayloadDirectionAssignment		TriggerScope	
		Not a non-local ID	Non-local ID	Symmetric media	Asymmetric media
IMS-AGW	Access	n/a	n/a	n/a	n/a
	Core network	FromTarget	ToTarget	n/a	"Unidirectional"
TrGW	Peer network	ToTarget	ToTarget	n/a	"Unidirectional"
	Core network	FromTarget	FromTarget	n/a	"Unidirectional"
IM-MGW	Core network	FromTarget	FromTarget	n/a	"Unidirectional"

NOTE 2: The media interception of target non-local ID is done in the IMS-AGW only when the IMS user is in communication with the target non-local ID is an inbound roamer with LBO with the alternate deployment option (see TS 33.127 [5]).

NOTE 3: When media is neither sent to nor received from the target (e.g. call waiting scenario, held session), and when the CC-TF is aware of the scenario, the value of "NotDetermined" is used as the PayloadDirectionAssignment value. The CC-TF changes the PayloadDirectionAssignment value using a LI_T3 ModifyTask (see clause 7.12.5.2.3) when the media is cross connected to the target (e.g. held session is retrieved).

The table 7.12.5.2.2-6 shows how the CC-POI is expected to set the Payload Direction field in the xCC based on the PayloadDirectionAssignment and TriggerScope values received in the LI_T3 ActivateTask message.

Table 7.12.5.2.2-6: Expected payload direction value in the xCC

TriggerScope	PayloadDirectionAssignment	RTP stream (media stream) direction	
		To the target identifier	From the target identifier
Bidirectional	FromTarget	"3" from the target	"2" to the target
	ToTarget	"2" to the target	"3" from the target
	NotDetermined	"5" not applicable to this xCC	"5" not applicable to this xCC
Unidirectional	FromTarget	"3" from the target	n/a
	ToTarget	"2" to the target	n/a
	NotDetermined	"5" not applicable to this xCC	n/a

NOTE 4: When the TriggerScope value is "Unidirectional", two LI_T3 triggers are sent to the CC-POI and in this case, the CC-POI is expected to set the Payload Direction field separately according to the PayloadDirectionAssignment received in the corresponding LI_T3 trigger.

The following paragraphs describe the algorithm the CC-TF shall use for the inclusion of the LocalSDP and RemoteSDP in the LI_T3 ActivateTask message.

- When the TriggerScope value is "Bidirectional":
 - When the SDP offer is received at the NF that has the CC-TF (on the side where the media interception is done) before the sending of a ActivateTask to the CC-POI, the CC-TF shall use the SDP information received in the SDP offer as RemoteSDP and the SDP information that will be sent later in the SDP answer of a SIP message as LocalSDP.
 - When the SDP offer is sent by the NF that has the CC-TF (on the side where the media interception is done) after the sending of a ActivateTask to the CC-POI, the CC-TF shall use the SDP information that will be included in the SDP offer of a SIP message as LocalSDP. In this case, the RemoteSDP is sent in the LI_T3 ModifyTask when the SDP answer is received in a SIP message (see clause 7.12.5.2.3).
- When the TriggerScope value is "Unidirectional":
 - When the SDP offer is received at the NF that has the CC-TF (on the side where the media interception is done) before the sending of a ActivateTask to the CC-POI, the CC-TF shall use the SDP information that will be sent later in the SDP answer of a SIP message as the LocalSDP in the first LI_T3 trigger. The SDP information received in the SDP offer as the RemoteSDP in the second LI_T3 trigger.
 - When the SDP offer is sent by the NF that has the CC-TF (on the side where the media interception is done) after the sending of a ActivateTask to the CC-POI, the CC-TF shall use the SDP information that will be included in the SDP offer of a SIP message as LocalSDP in the first trigger.
 - When the SDP answer is received at the NF that has the CC-TF (on the side where the media interception is done), the CC-TF shall use the SDP information received in the SDP answer of SIP message as RemoteSDP of the second LI_T3 trigger.

For the mid-session interception case, the CC-TF shall include both the LocalSDP and RemoteSDP in the trigger (LI_T3 ActivateTask) when the TriggerScope is "Bidirectional".

For mid-session interception case when the TriggerScopeValue is "Unidirectional", the CC-TF shall include the LocalSDP in the first trigger (LI_T3 ActivateTask) and the RemoteSDP in the second trigger (LI_T3 ActivateTask).

The CC-POI is expected to populate the SDP Session Description field of X3 PDU with the SDP information received in the LocalSDP, for the xCC that represent the incoming media streams destined to the IP address and UDP port number specified as the target identifiers.

The CC-POI is expected to populate the SDP Session Description field of X3 PDU with the SDP information received in the RemoteSDP, for the xCC that represent the outgoing media streams. In the case where TriggerScope value is "Bidirectional", the outgoing media streams will be from the IP address and UDP port number specified as the target identifiers. In the case where TriggerScope value is "Unidirectional", the outgoing media streams will be destined to the IP address and UDP port number specified as the target identifiers.

7.12.5.2.2.3 CC-POI in MRFP

The CC-TF present in the AS/MRFC shall send a trigger to the CC-POI present in the MRFP using the ActivateTask message over the LI_T3 interface for an intercepted IMS session (as determined according to the clause 7.12.2.8) that requires the CC interception when the following occurs:

- The AS/MRFC that has the CC-TF receives the acknowledgement (i.e. H.248 Reply) to the H.248: Add Context from the MRFP.

When the media streams are asymmetric, the CC-TF present in the AS/MRFC shall send a second trigger to the CC-POI present in the MRFP using the ActivateTask message over the LI_T3 interface to intercept the media in the reverse direction when the following occur:

- When the SDP offer is received, the AS/MRFC receives the acknowledgement (i.e. H.248 Reply) to the H.248: Add Context from the MRFP. The H.248: Add Context is sent when the SIP message that contains the SDP offer is handled. This happens at the same time the first trigger (LI_T3 ActivateTask) is sent.
- When the SDP answer is received, the AS/MRFC receives the acknowledgement (i.e. H.248 Reply) to the H.248 Mod Context from the MRFP. The H.248: Mod Context is sent when the SIP message that contains the SDP answer is handled.

For a conferencing scenario, the AS/MRFC is expected to send the H.248: Add Context to the MRFP when it handles a SIP message that includes a Conference Factory URI in the Request URI field. Only one LI_T3 ActivateTask is required to intercept the media for a conference.

Additionally, in support of the mid-session interception, the CC-TF present in the AS/MRFC shall send a trigger to the CC-POI present in the MRFP using the ActivateTask message over the LI_T3 interface when the following occur:

- The CC-TF present in the AS/MRFC receives an ActivateTask from the LIPF over LI_X1 with CC interception required, when an incoming IMS session to the target identifier included in the LI_X1 ActivateTask was redirected to voice mail server with an already established SDP offer and possibly SDP answer as well.
- The CC-TF present in the AS/MRFC receives an ActivateTask from the LIPF over LI_X1 with CC interception required, when announcement or tones are being applied to the caller of an incoming IMS session to the target identifier included in the LI_X1 ActivateTask message.
- The CC-TF present in the AS/MRFC receives an ActivateTask from the LIPF over LI_X1 with CC interception required, when the user represented through the target identifier included in the LI_X1 Activate Task is one of the participants in an established conference session.
- The CC-TF present in the AS/MRFC receives an ActivateTask from the LIPF over LI_X1 with CC interception required, when the Conference URI associated with an established conference session is included as a target identifier in the LI_X1 Activate Task message.

When the media streams are asymmetric, the CC-TF present in the AS/MRFC shall send a second trigger to the CC-POI present in the MRFP using the ActivateTask message over the LI_T3 interface to intercept the media in the reverse direction to any of the events except the last two in the above list occurs.

The details of LI_T3 ActivateTask are shown in table 7.12.5.2.2-1.

For the trigger (for the asymmetric media case, it is the first trigger):

- The CC-TF shall use the IP address and UDP port number present in the local descriptor part of the acknowledgement (i.e. H.248 Reply) to an H.248 Add context message. The same IP address and the UDP port numbers are also present in the SIP messages that carry the SDP offer or SDP answer (depending on whether the AS/MRFC receives or sends the SDP offer).

For the second trigger that applies to asymmetric media case:

- The CC-TF shall use the IP address and UDP port number present in the remote descriptor part of the of the H.248 transaction that happens between AS/MRFC and the MRFP. The same IP address and the UDP port numbers are also present in the SIP messages that carry the SDP offer or SDP answer (depending on whether the AS/MRFC receives or sends the SDP offer).

The values that the CC-TF sets for the PayloadDirectionAssignment and TriggerScope shall be determined as described in tables 7.12.5.2.2-7 and 7.12.5.2.2-8.

Table 7.12.5.2.2-7: PayloadDirectionAssignment and TriggerScope values (target identifier from local descriptor)

Service type	PayloadDirectionAssignment			TriggerScope	
	Not a non-local ID	Non-local ID	Conference URI	Symmetric media	Asymmetric media
Redirected	NotDetermined	FromTarget	n/a	"Bidirectional"	"Unidirectional"
Conference	NotDetermined	n/a	NotDetermined	"Bi-directional"	n/a

Table 7.12.5.2.2-8: PayloadDirectionAssignment and TriggerScope values (target identifier from remote descriptor)

Service type	PayloadDirectionAssignment			TriggerScope	
	Not a non-local ID	Non-local ID	Conference URI	Symmetric media	Asymmetric media
Redirected	NotDetermined	ToTarget	n/a	n/a	"Unidirectional"
Conference	NotDetermined	n/a	n/a	n/a	n/a

Tables 7.12.5.2.2-5 and 7.12.5.2.2-6 (clause 7.12.5.2.2) shows how the CC-POI is expected to set the Payload Direction field in the xCC based on the PayloadDirectionAssignment and TriggerScope values received in the LI_T3 ActivateTask message.

For an intercepted conference session, the CC-POI shall perform the media interception in a mixed mode including the media from all conference participants. The concept of Payload Direction, therefore, does not apply to the corresponding xCC.

The CC-TF present in the in the AS/MRFC shall follow the algorithm described in clause 7.12.5.2.2.2 to populate the LocalSDP and RemoteSDP fields of LI_T3 ActivateTask.

7.12.5.2.2.4 Activation of CC-POI when media interceptions are done at both sides IMS media function

This is a special case where the media interception is done at both sides of an IMS Media Function. In this case, the CC-POI would intercept the outgoing media streams on both sides of IMS Media Function as shown in figure 7.12.5.2-2 below.

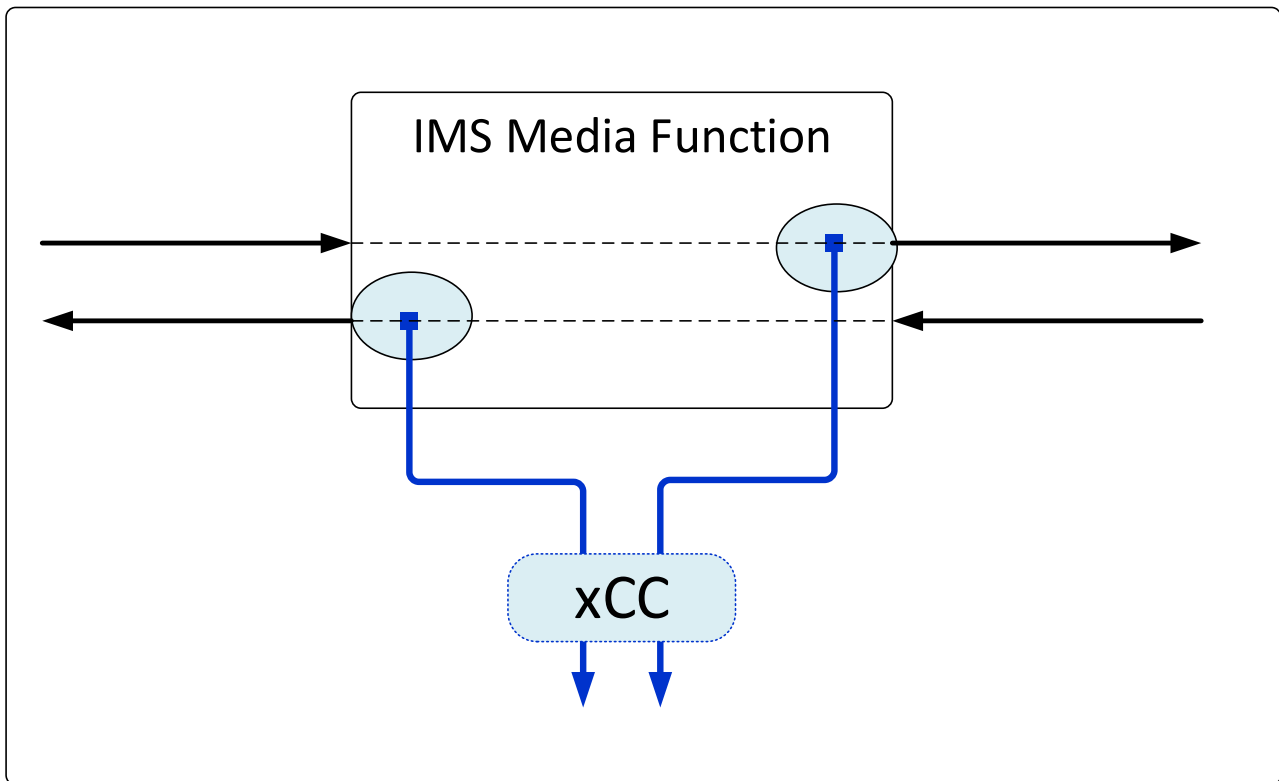


Figure 7.12.5.2.2-2: Media interception on both sides of the IMS Media Function

The CC-POI would capture the media streams destined to the remote IP address and UDP port number for the generation of xCC both sides. For this case, even if the media streams are symmetric, the TriggerScope shall be set to "Unidirectional". Accordingly, the CC-TF shall send the two triggers to CC-POI using the ActivateTask message over the LI_T3 interface when the following occur:

- When the SDP offer is received from the side where the media interception is done, the NF that has the CC-TF receives the acknowledgement (i.e. H.248 Reply) to the H.248: Add Context from the NF that has the CC-POI.
- When the SDP answer is received from the side where the media interceptions is done, the NF that has the CC-TF receives the acknowledgement (i.e. H.248 Reply) to the H.248: Mod Context from the NF that has the CC-POI.
- The CC-TF receives an ActivateTask from the LIPF over LI_X1 with CC interception required for an IMS session with an already established SDP offer and possibly SDP answer as well. This process is part of a mid-session activation of interception.

The details of ActivateTask sent from the CC-TF to the CC-POI over LI_T3 are shown in table 7.12.5.2.2-1.

The CC-TF shall use the IP address and UDP port number present in the remote descriptor part of the of the H.248 transaction that happens between the NF that has the CC-TF and the NF that has the CC-POI. The same IP address and the UDP port numbers are also present in the SIP messages that carry the SDP offer or SDP answer (depending on the SIP message direction and the session scenario).

The CC-TF shall set the PayloadDirectionAssignment value described in table 7.12.5.2.2-9:

Table 7.12.5.2.2-9: PayloadDirectionAssignment values

Target side	First trigger	Second trigger
On the side from which the SDP offer is received	ToTarget	FromTarget
On the side from which the SDP answer is received	FromTarget	ToTarget

NOTE: When the media is neither sent to nor received from the target (e.g. call waiting scenario, held session), and when the CC-TF is aware of the scenario, the value of "NotDetermined" is used as the PayloadDirectionAssignment value. The CC-TF changes the PayloadDirectionAssignment value using a LI_T3 ModifyTask (see clause 7.12.5.2.3) when the media is cross connected to the target (e.g. held session is retrieved).

For this case, the CC-TF shall include the SDP information in the RemoteSDP of TaskDetailsExtensions of LI_T3 ActivateTask for both triggers as described below:

- When the SDP offer is received at the NF that has the CC-TF (on the side where the media interception is done), the CC-TF shall use the SDP information received in the SDP offer of SIP message as RemoteSDP of the first LI_T3 trigger.
- When the SDP answer is received at the NF that has the CC-TF (on the side where the media interception is done), the CC-TF shall use the SDP information received in the SDP answer of SIP message as RemoteSDP of the second LI_T3 trigger.

The CC-POI is expected to populate the SDP Session Description field of X3 PDU with the SDP information received in the RemoteSDP, for the xCC that represent the outgoing media streams on both sides. The outgoing media streams will be destined to the IP address and UDP port number specified as the target identifiers.

7.12.5.2.3 ModifyTask

The ModifyTask message (s) that a CC-TF may send to a CC-POI shall include the XID of the Task (s) created by the ActivateTask message(s) (see table 7.12.5.2.2-1). The details of the ModifyTask are as shown in the table 7.12.5.2.2-10:

Table 7.12.5.2.2-10: ModifyTask message to update the previous trigger the CC-POI over LI_T3

ETSI TS 103 221-1 [7] field name	Description	M/C/O
XID	Shall be same as in the ActivateTask message (see 7.12.5.2.1).	M
TargetIdentifiers	Shall be same as in the ActivateTask message (see 7.12.5.2.1).	M
DeliveryType	Set to "X3Only".	M
ListOfDIDs	Shall give the DID of the MDF3 to which the xCC should be delivered. The delivery endpoint is configured using the CreateDestination message as described in ETSI TS 103 221-1 [7] clause 6.3.1 prior to the task activation.	M
CorrelationID	Shall be same as in the ActivateTask message (see 7.12.5.2.1).	M
ProductID	Shall be same as in the ActivateTask message (see 7.12.5.2.1).	M
TaskDetailsExtensions/SDP	See table 7.12.5.2-2.	M

The LI_T3 ModifyTask shall also use the same correlation ID, the same target identifiers as used in the LI_T3 ActivateTask.

The examples of few scenarios that may necessitate the sending of a ModifyTask over LI_T3 to the CC-POI are the following:

- When the TriggerScope value used in the LI_T3 ActivateTask is "Bidirectional", the SDP answer is received in a SIP message on the side where the media interception is done. The SDP information received in the SDP answer of SIP message shall be included as RemoteSDP in the LI_T3 ModifyTask. The LI_T3 ModifyTask shall also include the LocalSDP which was previously sent to the CC-POI in the LI_T3 ActivateTask message.

NOTE: The same SDP information is sent to the CC-POI when the TriggerScope value is "Unidirectional" as RemoteSDP in a second LI_T3 ActivateTask trigger (see clause 7.12.5.2.2.2).

- The SDP is changed through a new SDP offer and answer during the session establishment phase.
- The cases such as IP address or UDP port numbers are being changed on an established IMS session (using H.248 Modify Context (which may also include a Add Request to an existing context)).
- When a session is placed on hold, if the media interception sides have to be switched (e.g. from access side of IMS-AGW to core network side of IMS-AGW).
- When a session is placed on hold or retrieved from hold, if the PayloadDirectionAssignment value for the Target Identifier (associated with a previously sent LI_T3 Activate Task or LI_T3 Modify Task) are to be changed.

- When the media interception has to begin only when the media is cross-connected within the NF that has the CC-POI (e.g. call waiting).

Usually, the LI_T3 ModifyTask is sent when the NF that has the CC-TF sends a H.248: Modify Context (or a H.248 Add Request to an existing context) message to the NF that has the CC-POI, if certain aspects of media interception require to be changed.

As an alternate implementation, the CC-TF could use a LI_T3 DeactivateTask (clause 7.12.5.2.4) and LI_T3 ActivateTask (clause 7.12.5.2.1) to handle the held/retrieval scenario. Similarly, as an alternate implementation, the CC-TF could delay the LI_T3 ActivateTask till the media is cut-through within the NF that has the CC-POI in the call waiting scenario.

If two LI_T3 ActivateTask messages were used (asymmetric media stream case), then two LI-T3 ModifyTask messages may be required (depending on the scenario).

7.12.5.2.4 DeactivateTask

The DeactivateTask message(s) that the CC-TF sends to the CC-POI shall include the XID of the Task created by the associated ActivateTask message (see table 7.12.5.2.2-1).

An example that may necessitate the sending of a DeactivateTask over LI_T3 to the CC-POI is:

- Media interception of an IMS session ends.

Usually, the LI_T3 DeactivateTask is sent when the NF that has the CC-TF sends a H.248: Subtract Context to the NF that has the CC-POI which in turn normally happens when the SIP BYE is handled. In addition, the CC-TF could send a LI_T3 DeactivateTask when a session is placed on hold and delivery of CC is not required.

If two LI_T3 ActivateTask messages were used (asymmetric media stream case), then two LI-T3 DeactivateTask messages are required.

7.12.6 Generation of xCC over LI_X3

7.12.6.1 General

The CC-POI shall generate the xCC for the IMS media based on the LI_T3 trigger received from the CC-TF. The CC-POI shall then deliver the xCC to the MDF3 (destination end point indicated in the LI_T3 trigger).

As described in clause 7.12.5.1, the CC-POI may reside in the IMS-AGW, TrGW, IM-MGW, the MRFP or the LMISF.

For IMS Data Channel LI, the CC-POI may reside in the MF or DC-AS dependent upon the scenario.

7.12.6.2 Media capture

The CC-POI shall use the H248ContextID received in the LI_T3 ActivateTask trigger to match the Context ID seen in the H.248 transactions with the NF that has the CC-TF.

In addition, the CC-POI shall use the IP address and UDP port number received as the target identifiers in the LI_T3 trigger along with the TriggerScope also received in the LI_T3 trigger to identify the media packets to be intercepted for the generation of xCC using the following algorithm:

- When the TriggerScope value received in the LI_T3 trigger is "Unidirectional", the IP address and UDP port number received in the LI_T3 ActivateTask as target identifiers shall match the destination IP address and UDP port number of the media packets.
- When the TriggerScope value received in the LI_T3 trigger is "Bidirectional", the IP address and UDP port number received in the LI_T3 ActivateTask as target identifiers shall match the destination IP address and UDP port number of the incoming media packets and shall match the source IP address and UDP port number of outgoing media packets in the reverse direction.

The CC-POI shall expect to receive two LI_T3 ActivateTask triggers when the value of TriggerScope is "Unidirectional". The two triggers provide the information necessary to identify the media in two directions of the media flow. The H248ContextID in the two triggers are the same. The CorrelationID in the two triggers are the same.

The media packets destined to the local IP address and UDP port number are referred to as incoming media packets. The media packets destined to the remote IP address and UDP port number are referred to as outgoing media packets.

7.12.6.3 Payload format

The CC-POI shall set the payload format to indicate the appropriate payload type (5 for IPv4 packet, 6 for IPv6 packet) as described in ETSI TS 103 221-2 [8] (clauses 5.4 and 5.4.13).

7.12.6.4 Payload direction

The CC-POI shall set the payload direction to indicate the direction of the media packets included in the xCC delivered to the MDF3 as described in ETSI TS 103 221-2 [8] clause 5.2.6 and the following paragraph.

The PayloadDirectionAssignment field received in the LI_T3 ActivateTask message instructs the CC-POI how to populate the Payload Direction for each xCC PDU that it generates. If an intercepted media stream (i.e. IP packet) is destined for the IP address and port given in the LI_T3 ActivateTask message, the CC-POI shall set the Payload Direction of the xCC packet to the value that has the same meaning as the value given in the PayloadDirectionAssignment field. For an intercepted IP packet travelling in the other direction, the CC POI should use the opposite direction value. Specific instructions on how to set the xCC Payload Direction field for given combinations of IP packet direction and TriggerScope value are given in table 7.12.6.4-1 below.

7.12.6.4-1: Payload direction value in the xCC

TriggerScope (LI_T3 trigger)	PayloadDirectionAssignment (LI_T3 trigger)	RTP stream (media stream) direction	
		Media to the LI_T3 target identifier	Media from the LI_T3 target identifier
Bidirectional	FromTarget	"3" from the target	"2" to the target
	ToTarget	"2" to the target	"3" from the target
	NotDetermined	"5" not applicable to this xCC	"5" not applicable to this xCC
Unidirectional	FromTarget	"3" from the target	n/a
	ToTarget	"2" to the target	n/a
	NotDetermined	"5" not applicable to this xCC	n/a

NOTE: When the TriggerScope value is "Unidirectional", two LI_T3 triggers are received from the CC-TF and in this case, the CC-POI sets the Payload Direction field separately according to the PayloadDirectionAssignment received in the corresponding LI_T3 trigger.

In some session scenarios, the media packets destined to the IP address and UDP port number specified as target identifiers in the LI_T3 Activate Task may not be delivered to the intercept target (e.g. call waiting scenario, hold scenario). When the CC-TF is aware of this, it would have used the value "NotDetermined" as the PayloadDirectionAssignment field.

When the xCC is delivered in a combined form (e.g. conference), independent of the PayloadDirectionAssignment value received in the LI_T3 Activate Task, the CC-POI shall use the Payload Direction value 4: *sent to and received from the target*.

7.12.6.5 SDP session description

The CC-POI shall generate the SDP Session Description field (as specified in ETSI TS 103 221-2 [8] clause 5.3.23) of xCC from the LocalSDP and RemoteSDP received in the LI_T3 trigger from the CC-TF as described below.

When the TriggerScope value is "Bidirectional", the CC-POI may receive the Local SDP and RemoteSDP in one LI_T3 trigger or in two separate LI_T3 triggers. When the TriggerScope value is "Unidirectional", the Local SDP and RemoteSDP are received in two separate triggers.

NOTE 1: When the TriggerScope value in the LI_T3 trigger is "Unidirectional", the CC-TF includes LocalSDP in the LI_T3 trigger that has the local IP address and UDP port number as target identifiers and RemoteSDP in the LI_T3 trigger that has the remote IP address and the UDP port number as the target identifiers.

NOTE 2: When the media interception is done at two sides of the IMS Media Function, the CC-POI receives RemoteSDP in both LI_T3 triggers with the TriggerScope value set to "Unidirectional".

The CC-POI shall include the LocalSDP in the SDP Session Description field of the xCC generated from the incoming media packets. The CC-POI shall include the RemoteSDP in the Session Description field of xCC from the outgoing media packets. Clause 7.12.6.2 describes how the CC-POI identifies the incoming and outgoing media packets.

NOTE 3: The LocalSDP provides the SDP information (e.g. codec information) expected by the IMS Media Function that has the CC-POI. The media packets sent by the remote end of the media flow are based on this SDP information. Therefore, the LocalSDP is associated to the incoming media packets.

NOTE 4: The RemoteSDP address provides the SDP information (e.g. codec information) expected by the remote end of the media flow. The media packets sent to that remote end of the media flow are based on this SDP information. Therefore, the RemoteSDP is associated to the outgoing media packets.

The SDP Session Description field shall be included in the xCC each time a new LocalSDP or RemoteSDP is received in the LI_T3 trigger from the CC-TF.

7.12.6.6 Additional XID related information

The CC-POI may use the Additional XID Related Information attribute to facilitate efficient delivery of xCC, as specified in ETSI TS 103 221-2 [8] clause 5.3.22.

7.12.7 Generation of IRI over LI_HI2

7.12.7.1 General

When an xIRI is received over LI_X2 from the IRI-POI, the MDF2 shall send the IRI message over LI_HI2 according to clause 5.5.2 of the present document without undue delay.

The IRI message shall contain a copy of the relevant record received from LI_X2. The record may be enriched by other information available at the MDF2 (e.g. additional location information).

The ETSI TS 102 232-1 [9] *@LI-PS-PDU.pSHeader.timeStamp* field shall be set to the time present in the timestamp field of the xIRI.

The *@LI-PS-PDU.payload.iRIPayloadSequence.iRIContents.threeGPP33128DefinedIRI* field of the LI_HI2 message shall be populated with the BER-encoded *IRIPayload* as described in ETSI TS 102 232-7 [10] clause 15.

IRI messages associated with the same IMS session shall have the same CIN (see ETSI TS 102 232-1 [9] clause 5.2.4).

The *@LI-PS-PDU.payload.iRIPayloadSequence.iRIType* (see ETSI TS 102 232-1 [9] clause 5.2.10) shall be included and coded according to table 7.12.7.1-1.

Table 7.12.7.1-1: IRI type for IRI messages

Record type	IRI Type
IMSMMessage	REPORT
StartOfInterceptionForActiveIMSSession	REPORT
IMSCCUnavailable	REPORT
IMSDataChannelSetup	REPORT
IMSDataChannelModification	REPORT
IMSDataChannelTermination	REPORT

When the interception of post dialled digits is required, post dialled digits carried in RTP are reported as described in clause 7.12.11.2.

7.12.7.2 Handling of multiple instances of list of mediation details

The MDF2 may have to deliver IRI messages to more than one LEMFs when more than one instances of ListOfMediationDetails are associated with a task (i.e. XID) provisioned at the MDF2.

The MDF2 shall populate the LIID field in the IRI messages delivered over the LI_HI2 accordingly.

7.12.7.3 Mid-session activation for additional warrants at MDF2

When a new warrant is to be activated on a target identity (i.e. the associated IMS user is already the target of interception due to another warrant), the LIPF may use the same XID for the new warrant (e.g. when there is no need to receive two separate copies of xIRI messages over LI_X2). In this case, the LIPF may activate the new warrant only at the MDFs using an LI_X1 ModifyTask message with a new instance of ListOfMediationDetails.

The MDF2 that receives a LI_X1 ModifyTask with a new instance of ListOfMediationDetails shall be able to generate and deliver the IRI message containing the StartOfInterceptionForActiveIMSSession record to the LEMF as represented in the new instance of ListOfMediationDetails without receiving a corresponding xIRI from the IRI-POI. The MDF2 shall generate and deliver such an IRI message for each of the established IMS session legs to the LEMF represented within the ListOfMediationDetails.

The timeStamp field of the ETSI TS 102 232-1 [9] PSHeader structure shall be set to the present time known to the MDF2.

The payload of the StartOfInterceptionForActiveIMSSession record is specified in table 7.12.4.2-3 (see also clause 7.12.7.1).

7.12.7.4 Location reporting

The MDF2 shall include the location information in the IRI messages sent over the LI_HI2 according to the service scoping received within the ListOfMediationDetails of the LI_X1 ActivateTask. For example, if service scoping does not allow the reporting of location to an LEMF, then the MDF2 shall not copy the location information if received in an xIRI to the IRI message sent to that LEMF.

The MDF2 shall also remove the location information (e.g. PANI header) from the SIP message contents included as a part of the IRI message, when the service scoping does not allow the reporting of location to the LEMF.

7.12.8 Generation of CC over LI_HI3

7.12.8.1 General

When xCC is received over LI_X3 from a CC-POI, the MDF3 shall deliver the CC over LI_HI3 to the LEMF according to the clause 5.5.3 of the present document without undue delay.

The MDF3 shall populate the threeGPP33128DefinedCC field with a CCPayload structure containing IMSCCPDU. The IMSCCPDUPayload shall contain the IPv4 or IPv6 packet received over LI_X3.

The MDF3 shall populate the timeStamp field of the ETSI TS 102 232-1 [9] PSHeader structure of CC with the xCC timeStamp and the Payload Direction of the CCPayload structure to reflect the value received on xCC. The LIID and CID fields shall correctly reflect the target identity and communication session to which the CC belongs.

7.12.8.2 Handling of multiple instances of list of mediation details

The MDF3 may have to deliver the received xCC to more than one LEMFs when more than one instances of ListOfMediationDetails are associated with a task (i.e. XID) provisioned at the MDF3. The MDF3 shall populate the LIID field in the CC delivered over the LI_HI3 accordingly.

7.12.8.3 Handling of additional XID related information

In addition to the XID present in the XID field of xCC, the MDF3 shall deliver a copy of the CC to the LEMFs represented in one or more instances of ListOfMediationDetails associated with the XID values present in the Additional XID Related Information received in the xCC.

7.12.8.4 SDP session description

The MDF3 shall deliver the SDP session description received in the xCC over LI_X3 using the SDPInfo element of the IMSCCPDU to the LEMF over LI_HI3. This shall be done each time the SDP Session Description is present on the xCC.

7.12.8.5 Mid-session activation for additional warrants at MDF3

When a new warrant is to be activated on a target identity (i.e. the associated IMS user is already the target of interception due to another warrant), the LIPF may use the same XID for the new warrant (e.g. when there is no need to receive two separate copies of xCC over LI_X3). In this case, the LIPF may activate the new warrant only at the MDFs using an LI_X1 ModifyTask message with a new instance of ListOfMediationDetails.

The MDF3 that receives a LI_X1 ModifyTask with a new instance of ListOfMediationDetails, shall deliver the CC to the LEMF represented in this new instance of ListOfMediationDetails upon the reception of next xCC from the CC-POI.

7.12.8.6 Media handling at the MDF and LEMF

The MDF and LEMF perform protocol level correlation between intercepted signalling and media. LI_T3 ensures that the SDP in the intercepted SIP signalling or in LI_X3 matches the IP/UDP destination IP-address and port for every intercepted RTP stream.

In a scenario where NAT is used, the protocol level correlation may not be possible. In all other scenarios the implementation shall ensure that it is.

To support the interception scenario where transmission of CC occurs before the IRI, the LEMF may use SDP Session Description field in the CC to process the media.

7.12.9 Removal of unauthorised information from IMS record payloads

7.12.9.1 General

If the Content-Type of the SIP message is "multipart" as defined in RFC 2046 [120] clause 2.4, each part of the SIP message shall be modified as required.

7.12.9.2 Removal of location information

7.12.9.2.1 General

Depending on the SIP message being reported and the implementation, location information may be present in the SIP Headers, the body of the SIP message, or both. When location is not authorised, all location information shall be removed from the encapsulated SIP message prior to its delivery over LI_HI2. As such, when location is not authorised, the MDF2 and, optionally, the IRI-POIs in the IMS shall be provisioned with the payload modifications detailed in the subclauses below.

Additionally, if the location present in the SIP message is the location of the non-target party, the location shall be removed.

If an implementation has location information in other portions of the payload, the appropriate modifications shall be made to the encapsulated payload in addition to those specified below prior to the delivery of the message over LI_HI2.

7.12.9.2.2 P-Access-Network-Info location removal

Each character of each access-info parameter field of the P-Access-Network-Info header shall be over-written with zeros (see TS 24.229 [74] clause 7.2A.4). If multiple P-Access-Network-Info headers are present in the message, each shall be modified.

7.12.9.2.3 Cellular-Network-Info location removal

Each character of the access-info portion of the Cellular-Network-Info header shall be over-written with zeros. If multiple Cellular-Network-Info headers are present in the message, each shall be modified.

7.12.9.2.4 Geolocation header location removal

If there is a Geolocation header present in the message and the location object is included in the message, the portion of the body of the SIP message that contains the location object shall be modified as described in clause 7.12.9.2.5.

7.12.9.2.5 Removal of location information from presence information

If the Content-Type of any body part of the SIP message is "application/pidf+xml", and if the presence information contains a geopriv element, the character data of each element within each location-info element shall be overwritten with the zero character such that the length of the element does not change.

7.12.9.3 Removal of communications content

7.12.9.3.1 General

In some cases portions of a SIP message body may contain communications content. Unless otherwise specified, all communications content shall be removed from the encapsulated SIP message prior to its delivery over LI_HI2. As such, the MDF2 and, optionally, the IRI-POIs in the IMS shall be provisioned with the payload modifications detailed in the subclauses below.

If an implementation has location information in other portions of the payload, the appropriate modifications shall be made to the encapsulated payload in addition to those specified below prior to the delivery of the message over LI_HI2.

7.12.9.3.2 Removal of SMS content

If the Content-Type of any body part of the SIP message is "application/vnd.3gpp.sms", the TP-User-Data (TS 23.040 [18] clause 9.2.3.4) of the SMS TPDU shall be modified as described in clause 7.4.5.2.

7.12.9.3.3 Removal of text content

If the Content-Type of the SIP message is "text" or any of the subtypes of "text", the contents of the body shall be overwritten with spaces such that the length of the body remains unchanged.

7.12.9.3.4 Removal of content from the Subject header field

If the delivery of the Subject header of a SIP message is unauthorised, each character of the field-value of the Subject header shall be replaced with a space.

7.12.10 Generation of xIRI from media plane packets

7.12.10.1 General

As described in TS 33.127 [5] clause 7.4.8, warrants that do not require the interception of communication contents but do require the reporting of IRI present only in the media plane packets will require access to the media plane packets.

One example of this is the reporting of post dialled digits carried in-band as RTP packets.

TS 33.127 [5] clause 7.4.8 provides two approaches for the generation of such IRI messages.

In approach 1, the IRI-POI present in the IMS Media Function constructs and delivers the xIRIs to the MDF2. The IRI-POI present in the IMS Media Function is triggered from the IRI-TF present in the IMS Signalling Function as described in clause 7.12.5.

In approach 2, the CC-POI present in the IMS Media Function intercepts, constructs and delivers the xCC to the MDF3. The MDF3 forwards the xCC to the MDF2 over the LI_MDF interface and the MDF2 generates the IRI messages containing the relevant IRI records from the xCC.

Note that in approach 2, the MDF2 generates these IRI messages records without receiving the equivalent xIRI from an IRI-POI. The actions of the MDF2, the MDF3, the CC-TF in the IMS Media Function Entity are managed as part of the intercept data provisioned to them over the LI_X1 interface.

7.12.11 Interception of post dialled digits

7.12.11.1 General

In some cases, post dialled digits may be present within the media stream. Warrants that do not require the interception of communication contents may still require the interception of these digits.

For IRI-only warrants which require the delivery of post dialled digits:

- If post dialled digits are signalled via SIP-based signalling (i.e. SIP Information messages), the SIP messages carrying this information shall be delivered as normal.
- If post dialled digits are sent as RTP telephony events via the media path (e.g. as DTMF digits), the digits shall be intercepted using one of the approaches described in clause 7.12.10 and delivered as described in clause 7.12.11.2.

7.12.11.2 Reporting post dialled digits carried in the RTP stream

Post dialled digits conveyed as RTP telephony events over the media-path based signalling shall be reported by sending the RTP packets carrying the post-dialled digits using an IRI message over LI_HI2 shall be generated according to clause 5.5.2 of the present document with the following changes.

Table 7.12.11.2-1: Changes to the LI_HI2 ETSI TS 102 232-1 [9] PS-PDU IRIPayload details

ETSI TS 102 232-1 [9] field name	Description
IRI-Type	Shall be populated with REPORT.
IRI Contents	The IRI Contents field shall be set to the iPMMIRI choice (see ETSI TS 102 232-7 [10] clause 15) with the @IPMultimediaPDU.iPMMIRIContents containing the iRIOnlyRTTPacket choice. The @IPMultimediaPDU.iPMMIRIContents.iRIOnlyRTTPacket structure shall be populated as described in ETSI TS 102 232-5 [135] clause 5.2.8.

7.13 RCS

7.13.1 Provisioning over LI_X1

7.13.1.1 General

If the warrant is for IRI only, the IRI-POI and IRI-TF in the RCS Servers and the IRI-POI in the HTTP Content Server, File Transfer Localization Function and the S-CSCF shall be provisioned in accordance with clause 7.13.1.2.

If the warrant is for IRI and CC, then the IRI-POI, IRI-TF, CC-POI and CC-TF in the RCS Servers defined in TS 33.127 [5] clause 7.13.2.1 (see RCS definition in GSMA RCC.07 [78]) and the IRI-POI and the CC-POI in the HTTP Content Server, File Transfer Localization Function and S-CSCF shall be provisioned in accordance with clause 7.13.1.2.

In both cases, the MDF2 shall be provisioned in accordance with clause 7.13.1.3, and the MDF3 shall be provisioned in accordance with clause 7.13.1.4.

The POIs in the HTTP Content Server and the File Transfer Localization Function may also be triggered by the TFs in the RCS Server as described in clause 7.13.2.

7.13.1.2 Provisioning of the POIs and TFs in the RCS Server and the POIs in the HTTP Content Server, File Transfer Localization Function and S-CSCF by the LIPF

The IRI-POI, CC-POI, IRI-TF and CC-TF present in the RCS Server, the IRI-POI and CC-POI in the HTTP Content Server, and File Transfer Localization Function and the IRI-POI in the S-CSCF, are provisioned over LI_X1 by the LIPF using the X1 protocol as described in clause 5.2.2.

The POIs and TFs in the RCS Server and the IRI-POIs in the S-CSCF shall support the following target identifier formats in the ETSI TS 103 221-1 [7] messages (or equivalent if ETSI TS 103 221-1 [7] is not used).

- IMPU.
- IMPI.
- IMEI.
- PEIIMEI.

The POIs in the HTTP Content Server and File Transfer Localization Function shall support the following additional target identifier formats in the ETSI TS 103 221-1 [7] messages (or equivalent if ETSI TS 103 221-1 [7] is not used).

- SIPURI.
- TELURI.
- GPSIMSISDN.
- GPSINAI.
- IMSI.
- SUPIMSI.
- SUPINAI.
- Email Address.

Table 7.13.1.2-1 shows the minimum details of the LI_X1 ActivateTask message used for provisioning the IRI-POI, CC-POI, IRI-TF and CC-TF in the RCS Servers and the IRI-POI and CC-POI in the HTTP Content Server and File Transfer Localization Function and the IRI-POI in S-CSCF.

Table 7.13.1.2-1: ActivateTask message for the IRI-POI, CC-POI, IRI-TF and CC-TF in the RCS Servers and the IRI-POI and CC-POI in the HTTP Content Server and S-CSCF

ETSI TS 103 221-1 [7] field name	Description	M/C/O
XID	XID assigned by LIPF. If the CC-TF or IRI-TF is also being tasked for the same interception, the same XID shall be used. The same XID shall be used at the RCS Servers, the S-CSCF and the HTTP Content Server for the same interception.	M
TargetIdentifiers	One or more of the target identifiers listed in the paragraphs above.	M
DeliveryType	Set to "X2Only", "X3Only" or "X2andX3" as needed to meet the requirements of the warrant. (NOTE: "X2Only" for IRI-POI, IRI-TF and "X3Only" for CC-TF and CC-POI can also be also be used).	M
ListOfDIDs	Delivery endpoints of LI_X2 or LI_X3. These delivery endpoints shall be configured using the <i>CreateDestination</i> message as described in ETSI TS 103 221-1 [7] clause 6.3.1 prior to first use.	M
ListOfServiceTypes	Shall be included when the task should only intercept specific CSP service types as described in clause 5.2.4. This parameter is defined in ETSI TS 103 221-1 [7] clause 6.2.1.2 table 4.	C

7.13.1.3 Provisioning of the MDF2

The MDF2 listed as the delivery endpoint for xIRI generated by the IRI-POI in the RCS Servers, the IRI-POI in the HTTP Content Server, the IRI-POI in the File Transfer Localization Function, or the IRI-POI in the S-CSCF shall be

provisioned over LI_X1 by the LIPF using the X1 protocol as described in clause 5.2.2. Table 7.13.1.3-1 shows the minimum details of the LI_X1 ActivateTask message used for provisioning the MDF2.

The MDF2 shall support the following target identifier formats in the ETSI TS 103 221-1 [7] messages (or equivalent if ETSI TS 103 221-1 [7] is not used):

- IMPU.
- IMPI.
- IMEI.
- GPSIMSISDN.
- GPSINAI.
- IMSI.
- SUPHMSI.
- SUPINAI.
- Email Address.

Table 7.13.1.3-1: ActivateTask message for MDF2

ETSI TS 103 221-1 [7] field name	Description	M/C/O
XID	Same XID used by the LIPF for provisioning the LI functions of the RCS Servers, the S-CSCF and the HTTP Content Servers for this intercept.	M
TargetIdentifiers	One or more of the target identifiers listed in the paragraph above.	M
DeliveryType	Set to "X2Only", "X3Only" or "X2andX3" as needed to meet the requirements of the warrant. (Ignored by the MDF2).	M
ListOfDIDs	Delivery endpoints of LI_HI2. These delivery endpoints shall be configured using the <i>CreateDestination</i> message as described in ETSI TS 103 221-1 [7] clause 6.3.1 prior to first use.	M
ListOfMediationDetails	Sequence of Mediation Details, see table 7.13.1.3-2.	M

Table 7.13.1.3-2: Mediation Details for MDF2

ETSI TS 103 221-1 [7] field name	Description	M/C/O
LIID	Lawful Intercept ID associated with the task.	M
DeliveryType	Set to "HI2Only".	M
ListOfDIDs	Details of where to send the IRI for this LIID. Shall be included if deviation from the ListofDIDs in the ActivateTask message is necessary. If included, the ListOfDIDs in the Mediation Details shall be used instead of any delivery destinations authorised by the ListOfDIDs field in the ActivateTask Message.	C
ServiceScoping	Shall be included to identify the service(s) and associated service-related delivery settings for this LIID. May include more than one instance of this parameter to allow for different combinations of subparameters associated with a single LIID. This parameter is defined in ETSI TS 103 221-1 [7] Annex C table C.2.	C

7.13.1.4 Provisioning of the MDF3

The MDF3 listed as the delivery endpoint for the xCC generated by the CC-POI in the RCS Servers, the CC-POI in the HTTP Content Servers and the CC-POI in the File Transfer Localization Function shall be provisioned over LI_X1 by the LIPF using the X1 protocol as described in clause 5.2.2. Table 7.13.1.4-1 shows the minimum details of the LI_X1 ActivateTask message used for provisioning the MDF3.

The MDF3 shall support the following target identifier formats in the ETSI TS 103 221-1 [7] messages (or equivalent if ETSI TS 103 221-1 [7] is not used):

- IMPU.

- IMPI.
- IMEI.
- GPSIMSDN.
- GPSINAI.
- IMSI.
- SUPIMSI.
- SUPINAI.
- EmailAddress.

Table 7.13.1.4-1: ActivateTask message for MDF3

ETSI TS 103 221-1 [7] field name	Description	M/C/O
XID	Same XID used by the LIPF for provisioning the POIs, TFs of the RCS Servers and the POIs of the HTTP Content Servers and the S-CSCF.	M
TargetIdentifiers	One or more of the target identifiers listed in the paragraph above.	M
DeliveryType	Set to "X2Only", "X3Only" or "X2andX3" as needed to meet the requirements of the warrant (Ignored by the MDF3).	M
ListOfDIDs	Delivery endpoints of LI_HI3 or LI_MDF. These delivery endpoints shall be configured using the <i>CreateDestination</i> message as described in ETSI TS 103 221-1 [7] clause 6.3.1 prior to first use.	M
ListOfMediationDetails	Sequence of Mediation Details, see table 7.13.1.4-2.	M

Table 7.13.1.4-2: Mediation Details for MDF3

ETSI TS 103 221-1 [7] field name	Description	M/C/O
LIID	Lawful Intercept ID associated with the task.	M
DeliveryType	Set to "HI3Only".	M
ListOfDIDs	Details of where to send the CC for this LIID. Shall be included if deviation from the ListofDIDs in the ActivateTask message is necessary. If included, the ListOfDIDs in the Mediation Details shall be used instead of any delivery destinations authorised by the ListOfDIDs field in the ActivateTask Message.	C
ServiceScoping	Shall be included to Identify the service(s) and associated service-related delivery settings for this LIID. May include more than one instance of this parameter to allow for different combinations of subparameters associated with a single LIID. This parameter is defined in ETSI TS 103 221-1 [7] Annex C table C.2.	C

7.13.2 Triggering of the IRI-POI and CC-POI in the HTTP Content Server

7.13.2.1 Triggering of the IRI-POI in the HTTP Content Server over LI_T2

7.13.2.1.1 LI_T2 interface Specifics

In order to allow the IRI-POI in the HTTP content server to detect all events related to files uploaded or downloaded by a target, the IRI-TF in the RCS Server sends a trigger to the IRI-POI present in the HTTP Content Server with the necessary information over the LI_T2 interface.

When the IRI-TF in the RCS Server detects that a file is being uploaded or downloaded by a target UE it shall send an activation message to the IRI-POI in the HTTP Content Server over the LI_T2 interface. The activation message shall contain the correlation identifiers that the IRI-POI in the HTTP Content Server shall use with the xIRI. This can be achieved by sending an ActivateTask message as defined in ETSI TS 103 221-1 [7] clause 6.2.1 with the following details.

Table 7.13.2.1-1: ActivateTask message from the IRI-TF in the RCS Server for the IRI-POI in the HTTP Content Server

ETSI TS 103 221-1 [7] field name	Description	M/C/O
XID	Allocated by the IRI-TF as per ETSI TS 103 221-1 [7].	M
TargetIdentifiers	File detection criteria as determined by the IRI-TF in the RCS Server, which enables the IRI-POI in the HTTP Content Server to isolate target files. The IRI-POI in the HTTP Content Server shall support the identifier types given in table 7.13.2.1-2. NOTE: This value is the target identifier for the IRI-POI in the HTTP Content Server and may be different from the target identifier specified in the warrant.	M
DeliveryType	Set to "X2Only".	M
ListOfDIDs	Delivery endpoints for LI_X2. These delivery endpoints shall be configured by the IRI-TF in the RCS Server using the CreateDestination message as described in ETSI TS 103 221-1 [7] clause 6.3.1 prior to first use.	M
CorrelationID	Correlation ID to assign to xIRI generated by the IRI-POI in the HTTP Content Server. This field is populated with the same CorrelationID the IRI-POI in the RCS Server uses for the associated xIRI.	M
ProductID	Shall be set to the XID of the Task Object associated with the interception at the IRI-TF. This value shall be used by the IRI-POI in the HTTP Content Server to fill the XID of X2 messages.	M
ListOfServiceTypes	Shall be included when the task should only intercept specific CSP service types as described in clause 5.2.4. This parameter is defined in ETSI TS 103 221-1 [7] clause 6.2.1.2 table 4.	C

Table 7.13.2.1-2: Target Identifier Types for LI_T2

Identifier type	Owner	ETSI TS 103 221-1 [7] TargetIdentifier type	Definition
RCS Content URI (See Note)	3GPP	TargetIdentifierExtension / RCSCContentURI	RCSCContentURI (see XSD schema)
NOTE: If the TargetIdentifier used is an RCS Content URI, only one RCS Content URI shall be included per ActivateTask message.			

7.13.2.2 Triggering of the CC-POI in the HTTP Content Server over LI_T3

7.13.2.2.1 LI_T3 interface Specifics

To support the use-cases where the IRI-POI in the HTTP Content Server does not get the identity of the user involved in the file-transfer (and therefore, the CC-POI in the HTTP Content Server cannot perform the interception based on the target identity provisioned by the LIPF), the CC-TF present in the RCS Server sends a trigger to the CC-POI present in the HTTP Content Server. When the CC-TF in the RCS Server detects that a file is being uploaded or downloaded by a target UE, it shall send an activation message to the CC-POI in the HTTP Content Server over the LI_T3 interface. The activation message shall contain the correlation identifiers that the CC-POI in the HTTP Content Server shall use with the xCC. This can be achieved by sending an ActivateTask message as defined in ETSI TS 103 221-1 [7] clause 6.2.1 with the following details.

Table 7.13.2.2-1: ActivateTask message from the CC-TF in the RCS Server for the CC-POI in the HTTP Content Server

ETSI TS 103 221-1 [7] field name	Description	M/C/O
XID	Allocated by the CC-TF as per ETSI TS 103 221-1 [7].	M
TargetIdentifiers	File detection criteria as determined by the CC-TF in the RCS Server, which enables the CC-POI in the HTTP Content Server to isolate target files. The CC-POI in the HTTP Content Server shall support the identifier types given in table 7.13.2.1-2.	M
DeliveryType	Set to "X3Only".	M
ListOfDIDs	Delivery endpoints for LI_X3. These delivery endpoints shall be configured by the CC-TF in the RCS Server using the CreateDestination message as described in ETSI TS 103 221-1 [7] clause 6.3.1 prior to first use.	M
CorrelationID	Correlation ID to assign to xCC generated by the CC-POI in the HTTP Content Server. This field is populated with the same CorrelationID the IRI-POI in the RCS Server uses for the associated xIRI.	M
ProductID	Shall be set to the XID of the Task Object associated with the interception at the CC-TF. This value shall be used by the CC-POI in the HTTP Content Server to fill the XID of X3 messages.	M
ListOfServiceTypes	Shall be included when the task should only intercept specific CSP service types as described in clause 5.2.4. This parameter is defined in ETSI TS 103 221-1 [7] clause 6.2.1.2 and table 4.	C

7.13.3 Generation of xIRI at IRI-POI in the RCS Server over LI_X2

7.13.3.1 General

7.13.3.1.1 Introduction

The IRI-POI present in the RCS Servers shall send xIRI over LI_X2 for the events listed in 3GPP TS 33.127 [5] clause 7.13.4, the details of which are described in the following clauses.

If the RCS implementation uses protocols other than SIP and MSRP, alternative triggers may be used such that the IRI-POI in the RCS Server generates appropriate xIRIs for the events listed in 3GPP TS 33.127 [5] clause 7.13.4.

7.13.3.1.2 Common parameters for RCS reporting

7.13.3.1.2.1 Simple types

Table 7.13.3.1.2.1-1: Simple Types for LI reporting of RCS

Type name	Type definition	Description
RCSTGroupChatSessionID	SIPURI	Shall contain the SIPURI that uniquely identifies the CPM Group Session for an RCS Group Chat. See OMA-TS-CPM_System_Description-V2 [82] clause 5.1.1.5.
RCSConversationID	UUID	CPM Conversation Identity associated with a CPM Standalone Message, CPM File Transfer, or CPM Session. See OMA-TS-CPM_Conversation_Function [109] clause 5.3.
RCSContributionID	UUID	CPM Contribution Identity of an individual CPM Standalone Message, CPM File Transfer, or CPM Session (see OMA-TS-CPM_Conversation_Function [109] clause 5.3).
IMDNMessageID	UTF8String	Sender includes an IMDNMessageID in the RCSMessage for which he wishes to receive an Instant Message Disposition Notification (IMDN).
RCSURI	UTF8String	The identity of the RCS Server serving the user. Shall contain a SIP URI or tel URI for the RCS Server.
SIPEndpoint	UTF8String	The SIP instance identifying a specific endpoint. Shall contain the contents of the the Contact header.

7.13.3.1.2.2 Type: RCSIdentity

Table 7.13.3.1.2.2-1: Choices for RCSIdentity parameter

Choice name	Type	Description
fiveGSIdentities	FiveGSSubscriberIDs	Shall be chosen if the identities being reported are 5GS Identities.
ePSIdentities	EPSSubscriberIDs	Shall be chosen if the identities being reported are EPS Identities.
iMSIdentities	IMSIdentities	Shall be chosen if the identities being reported are IMS Identities.

7.13.3.1.2.3 Type: RCSDestinations

Table 7.13.3.1.2.3-1: Payload for RCSDestinations parameter

Field name	Type	Cardinality	Description
RCSDestinations	SEQUENCE OF RCSDestination	1..MAX	Each RCSDestination shall be populated with all known identities for the destination. Each destination for the RCS Message shall be included.

7.13.3.1.2.4 Type: RCSDestination

Table 7.13.3.1.2.4-1: Payload for RCSDestination parameter

Field name	Type	Cardinality	Description
RCSDestination	SEQUENCE OF RCSIdentity	1..MAX	Each RCSDestination shall be populated with all known identities for the destination.

7.13.3.2 Registration

7.13.3.2.1 RCS registration record

The xIRI containing an RCSRegistration record shall be generated when the IRI-POI in the S-CSCF or in an RCS Server detects that an RCS target matching one of the RCS identifiers, provided via LI_X1 has registered, reregistered or deregistered for RCS services. Accordingly, the IRI-POI in the RCS Server generates the xIRI when the following event is detected:

- When the IRI-POI is located in the S-CSCF:
 - If the S-CSCF uses third-party registrations to notify the RCS Server when a UE registers, when the S-CSCF receives a 200 OK from the RCS Server in response to a third-party SIP REGISTER request registering, reregistering or deregistering a target with the RCS Server.
 - If the S-CSCF is the NF responsible for handling RCS Registrations:
 - When the S-CSCF sends a 200 OK to a target in response to a SIP REGISTER request that includes any of the service feature tags listed in GSMA RCC.07 [78] clause 2.4.3, clause 2.4.4 or clause 2.4.4.1 table 3.
 - When the S-CSCF sends a 200 OK to a target in response to a SIP REGISTER request for deregistration when the service features supported by the target include any of the service features listed in GSMA RCC.07 [78] clause 2.4.3, clause 2.4.4 or clause 2.4.4.1 table 3.
- When the IRI-POI is located in the RCS Server:
 - When the RCS Server sends a 200 OK to a target in response to a SIP REGISTER request that includes any of the service feature tags listed in GSMA RCC.07 [78] clause 2.4.3, clause 2.4.4 or clause 2.4.4.1 table 3.
 - When the RCS Server sends a 200 OK to a target in response to a SIP REGISTER request for deregistration when the service features supported by the target include any of the service features listed in GSMA RCC.07 [78] clause 2.4.3, clause 2.4.4 or clause 2.4.4.1 table 3.

- When the RCS server sends a 200 OK to the S-CSCF in response to a SIP NOTIFY request for a target with an Event header field with a value set to "reg" as specified in TS 24.229 [74] clauses 5.1.1.3 and 5.1.1.7.

Table 7.13.3.2.1-1: Payload for RCSRegistration record

Field name	Type	Cardinality	Description	M/C/O
rCSTargetIdentities	SEQUENCE OF RCSIdentity	1..MAX	RCS target identities. All identities associated to the target known at the POI shall be included.	M
rCSRegistrationType	RCSRegistrationType	1	RCS Registration type, i.e. Registration, Reregistration and Deregistration.	M
rCSRegistrationUpdateRequest	IMSPayload	1	SIP REGISTER request related to target IMS Registration, Reregistration or Deregistration.	M
rCSRegistrationUpdateResponse	IMSPayload	1	SIP REGISTER response related to target IMS Registration, Reregistration or Deregistration.	M
location	Location	0..1	Shall include the target's location when available according to the location reporting type provisioned for the task.	C

7.13.3.2.2 RCS Registration parameters

7.13.3.2.2.1 Enumeration: RCSRegistrationType

Table 7.13.3.2.2.1-1: Enumeration for RCSRegistrationType parameter

Enumeration	Description
registration	Shall be selected if the message being reported contains a SIP REGISTER request for a target that is not currently registered.
reRegistration	Shall be selected if the message being reported contains a SIP REGISTER request and the target is already registered.
uDeregistration	Shall be selected if the event being reported contains a SIP REGISTER request with an "expires" parameter set to 0 and/or a SIP NOTIFY Request with the "state" attribute set to "terminated" and the "event" attribute set to "unregistered".
networkDeregistration	Shall be selected if the event being reported contains a SIP NOTIFY Request with the "state" attribute set to "terminated" and the "event" attribute set either to "expired", or "rejected", or "deactivated" or "probation".

7.13.3.3 RCS Message

7.13.3.3.1 RCS Message record

The IRI-POI present in the RCS Server shall generate an xIRI containing an RCSMessage record when the IRI-POI present in the RCS Server detects that an RCS target has sent or received an RCS message. In this specification, an RCS message refers to any message sent or received in the context of pager mode standalone messaging, large message mode messaging, 1-to-1 chat or group chat. This xIRI is also generated when the target sends or receives a delivery notification or display notification.

Accordingly, the IRI-POI in the RCS Server shall generate the RCSMessage xIRI when it detects the following events:

- The RCS Server receives a SIP MESSAGE from the target or destined to the target, determined by the direction attribute present in the CPM Header, and:

- The "Contact" or "Accept-Contact" header includes a service feature tag among the feature tags listed in GSMA RCC.07 [78] clause 2.4.4.1 table 3.
- The SIP "Content-Type" header is "message/cpim".
- The RCS Server receives an MSRP packet from the target or destined to the target and:
 - The content of the MSRP packet is a CPIM (Common Presence and Instant Messaging) object (see definition in IETF RFC 3862 [80]).

Table 7.13.3.3.1-1: Payload for RCSMessage record

Field name	Type	Cardinality	Description	M/C/O
rCSTargetIdentities	SEQUENCE OF RCSIdentity	1..MAX	Provide RCS target identities. All identities associated to the target known at the POI shall be included.	M
groupChatSessionID	RCSGroupChatSessionID	0..1	Group chat session URI. Shall be present if the message is part of a CPM Group Chat. See OMA-TS-CPM_System_Description-V2 [82] clause 5.1.1.5.	C
originatingIdentity	SEQUENCE OF RCSIdentity	1..MAX	Shall identify the originating party.	M
destinationIdentities	SEQUENCE OF RCSDestinations	1..MAX	Shall identify the destination(s) of the message.	M
direction	Direction	1	Shall be provided to identify the direction of the message relative to the target: "toTarget" or "fromTarget".	M
messageType	RCSMessageType	1	Identifies the type of information being transmitted by the RCS Message.	M
conversationID	RCSConversationID	1	CPM Conversation Identity associated with the CPM Standalone Message, CPM File Transfer, or CPM Session. See OMA-TS-CPM_Conversation_Function [109] clause 5.3.	M
contributionID	RCSContributionID	1	CPM Contribution Identity of the individual CPM Standalone Message, CPM File Transfer, or CPM Session (see OMA-TS-CPM_Conversation_Function [109] clause 5.3).	M
inReplyToContributionID	RCSContributionID	0..1	InReplyTo-Contribution-ID identifying the Contribution-ID of the CPM Standalone Message, CPM File Transfer or CPM Session that is being replied to (see OMA-TS-CPM_Conversation_Function [109] clause 5.3). Shall be included if the InReplyTo-Contribution-ID header field is present for the message being reported.	C
messageID	IMDNMessageID	0..1	IMDN Message-ID of the individual message (see RFC 5438 [81]). Shall be included if present in the RCS message.	C
location	Location	0..1	Shall include the target's location when available according to the location reporting type provisioned for the task.	C
messagePayload	RCSPayload	1	One of the following payload types (other payload types may be added in future versions of the specification): - encapsulatedRCSPayload shall be chosen when the RCS message does not contain any unauthorized information.	M

7.13.3.3.2 RCS Message parameters

7.13.3.3.2.1 Type: RCSMessageType

Table 7.13.3.3.2.1-1: Enumeration for RCSMessageType parameter

Enumeration	Description
messageWithUserContent	Shall be selected if the message being reported contains user generated communications content.
fileTransferMessage	Shall be selected if the message being reported is a File Transfer message (see GSMA RCC.07 [78] clause 3.2.5).
geoLocationPUSHMessage	Shall be selected if the message being reported contains a geolocation PUSH message (see GSMA RCC.07 [78] clause 3.2.6).
iMDNNotification	Shall be selected if the event being reported contains an IMDN notification (see OMA-TS-CPM_Conversation_Function [109] clause 5.4).

7.13.3.3.2.2 Type: RCSPayload

Table 7.13.3.3.2.2-1: Choices for RCSPayload parameter

Choice name	Type	Description
fullPayload	EncapsulatedRCSPayload	Contains the entire payload of the RCS message in the original encoding. Shall be chosen if the original payload of the RCS message being reported contains only authorised information.
modifiedPayload	ModifiedRCSPayload	Contains the modified encapsulated RCS message and a list of the modifications performed. Shall be chosen if the original payload of the RCS message being reported contains any information that is not authorised.

7.13.3.3.2.3 Type: EncapsulatedRCSPayload

Table 7.13.3.3.2.3-1: Choices for EncapsulatedRCSPayload parameter

Choice name	Type	Description
mIME	MIMEEntity	Shall be chosen if the message is in the format of a MIME Entity (see RFC 2045 [110] clause 2.4).
mSRP	MSRPMessage	Shall be chosen if the message is an MSRP Message.
sIP	SIPMessage	Shall be chosen if the message is a SIP Message.

7.13.3.3.2.4 Type: ModifiedRCSPayload

Table 7.13.3.3.2.4-1: Structure of the ModifiedRCSPayload type

Field name	Type	Cardinality	Description	M/C/O
modifiedRCSPayload	EncapsulatedRCSPayload	1	Contains the modified payload in the original encoding.	M
modifications	PayloadModifications	1	Contains the list of modifications done to the modifiedRCSPayload.	M

7.13.3.4 RCS Session reporting

7.13.3.4.1 General

The IRI-POI present in the RCS Server shall generate xIRIs to report the establishment, modification and release of RCS Sessions. There are multiple types of RCS Sessions that shall be reported:

- Standalone SIP Sessions:

- Large Message Mode CPM Standalone Messages (see clause 7.13.3.4.2).
- CPM Sessions which can be broken down into:
 - 1-to-1 Chat sessions (see clause 7.13.3.4.3).
 - Group Chat sessions.

When reporting sessions established to transfer a Large Message Mode RCS Standalone Message, the rCSSessionType parameter shall be set to "LargeMessageStandalone".

When reporting a CPM 1-to-1 Session, the rCSSessionType parameter shall be set to "1to1Chat".

7.13.3.4.2 Session establishment attempt

7.13.3.4.2.1 RCSSessionEstablishmentAttempt record

The IRI-POI in the RCS Server shall generate an RCSSessionEstablishmentAttempt record when the IRI-POI in the RCS Server detects any of the following:

- A SIP Session has been requested to transfer a Large Message Mode CPM Standalone message to or from a target (see clause 7.13.3.4.2.2).
- A CPM 1-to-1 Chat Session has been requested for the target's communications (see clause 7.13.3.4.2.3).

Table 7.13.3.4.2-1: Payload for RCSSessionEstablishmentAttempt record

Field name	Type	Cardinality	Description	M/C/O
rCSTargetIdentities	SEQUENCE OF RCSIdentity	1..MAX	RCS target identities. All identities associated to the target known at the POI shall be included.	M
conversationID	RCSConversationID	1	Set to the value of the Conversation-ID header in the SIP INVITE request.	M
contributionID	RCSContributionID	1	Set to the value of the Contribution-ID header in the SIP INVITE request.	M
inReplyToContributionID	RCSContributionID	0..1	InReplyTo-Contribution-ID identifying the Contribution-ID of the CPM Standalone Message, CPM File Transfer or CPM Session that is being replied to (see OMA-TS-CPM_Conversation_Function [109] clause 5.3). Shall be included if the InReplyTo-Contribution-ID header field is present for the message being reported.	C
sessionReplaces	RCSContributionID	0..1	The Contribution-ID present in the Session-Replaces header of the SIP INVITE identifying the Contribution-ID of the CPM 1-to-1 Chat Session that is being replaced to (see OMA-TS-CPM_Conversation_Function [109] clause 5.3). Shall be included if the Session-Replaces header field is present for the message being reported.	C
rCSSessionType	RCSSessionType	1	Indicates the type of RCS Session.	M
sessionDirection	Direction	1	Shall be provided to identify the direction of the session relative to the target: "toTarget" or "fromTarget".	M
rCSSIPSessionMessage	RCSSIPSessionMessage	1	Shall contain the SIP INVITE and the leg identification.	M
location	Location	0..1	Shall include the target's location when reporting of the target's location information is authorized and available.	C

7.13.3.4.2.2 Large Message Mode CPM Standalone session

The IRI-POI in the RCS Server shall generate the RCSSessionEstablishmentAttempt xIRI when it detects the following events:

- The RCS Server receives a SIP INVITE sent to or from the target with a service feature tag among the feature tags listed in OMA-TS-CPM_Conv_Function [109] table 7 indicating the Large Message Mode CPM Standalone Message or the Deferred CPM Message features for which a SIP session was not already established.

7.13.3.4.2.3 CPM 1-to-1 Chat session establishment

The IRI-POI in the RCS Server shall generate the RCSSessionEstablishmentAttempt xIRI when it detects the following events:

- The RCS Server receives a SIP INVITE sent to or from the target with a service feature tag among the feature tags listed in OMA-TS-CPM_Conv_Function [109] table 7 indicating the CPM Session feature for which there is not an existing CPM Session.

7.13.3.4.3 Session modification

7.13.3.4.3.1 RCSSessionModification record

The IRI-POI in the RCS Server shall generate an RCSSessionModification record when the IRI-POI in the RCS Server detects any of the following:

- A request is sent to request the next leg of a SIP Session or a response is received establishing a SIP Session for the transfer of a Large Message Mode CPM Standalone message or a CPM 1-to-1 Chat Session.
- A previously established SIP session for the transfer of a Large Message Mode CPM Standalone message to or from a target has been modified (see clause 7.13.3.4.3.2).
- A CPM 1-to-1 Chat Session established for the target's communications has been modified (see clause 7.13.3.4.3.3).

Table 7.13.3.4.3-1: Payload for RCSSessionModification record

Field name	Type	Cardinality	Description	M/C/O
rCSTargetIdentities	SEQUENCE OF RCSIdentity	1..MAX	RCS target identities. All identities associated to the target known at the POI shall be included.	M
conversationID	RCSConversationID	1	Set to the value of the Conversation-ID header in the original SIP INVITE request.	M
contributionID	RCSContributionID	1	Set to the value of the Contribution-ID header in the original SIP INVITE request.	M
inReplyToContributionID	RCSContributionID	0..1	InReplyTo-Contribution-ID identifying the Contribution-ID of the CPM Standalone Message, CPM File Transfer or CPM Session that is being replied to (see OMA-TS-CPM_Conversation_Function [109] clause 5.3). Shall be included if the InReplyTo-Contribution-ID header field is present for the message being reported.	C
sessionReplaces	RCSContributionID	0..1	The Contribution-ID present in the Session-Replaces header of the SIP INVITE identifying the Contribution-ID of the CPM 1-to-1 Chat Session that is being replaced to (see OMA-TS-CPM_Conversation_Function [109] clause 5.3). Shall be included if the Session-Replaces header field is present for the message being reported.	C
rCSSessionType	RCSSessionType	1	Indicates the type of RCSSession.	M
sessionDirection	Direction	1	Shall be provided to identify the direction of the session relative to the target: "toTarget" or "fromTarget".	M
sessionEndpoints	RCSSessionEndpoints	1	Indicates whether the session continues through the server or is terminated at the server.	M
rCSSIPSessionMessage	RCSSIPSessionMessage	1	Shall contain the SIP message that triggered the xIRI, an indication of whether the establishment or removal of a leg has been attempted or completed.	M
location	Location	0..1	Shall include the target's location when reporting of the target's location information is authorized and available.	C

7.13.3.4.3.2 CPM Standalone Message session modification

The IRI-POI in the RCS Server shall generate the RCSSessionModification xIRI when it detects the following events:

- The RCS Server sends a SIP INVITE to or from a target with a service feature tag among the feature tags listed in OMA-TS-CPM_Conv_Function [109] table 7 indicating the Large Message Mode CPM Standalone Message or the Deferred CPM Message features.
- The RCS Server sends or receives SIP response within a SIP dialog where the original SIP INVITE had any service feature tag among the feature tags listed in OMA-TS-CPM_Conv_Function [109] table 7 indicating the Large Message Mode CPM Standalone Message or the Deferred CPM Message features and at least one of the legs of the session known by the RCS Server remain.

7.13.3.4.3.3 CPM 1-to-1 Chat session modification

The IRI-POI in the RCS Server shall generate the RCSSessionModification xIRI when it detects the following events:

- The RCS Server sends a SIP INVITE to or from a target with a service feature tag among the feature tags listed in OMA-TS-CPM_Conv_Function [109] table 7 indicating the CPM Session feature.
- The RCS Server sends or receives SIP response or SIP BYE within a SIP dialog where the original SIP INVITE had any service feature tag among the feature tags listed in OMA-TS-CPM_Conv_Function [109] table 7 indicating the CPM Session feature.

7.13.3.4.4 Session release

7.13.3.4.4.1 RCSSessionRelease record

The IRI-POI in the RCS Server shall generate an RCSSessionRelease record when the IRI-POI in the RCS Server detects any of the following:

- A SIP Session for the transfer of a Large Message Mode CPM Standalone message to or from a target has been released (see clause 7.13.3.4.4.2).
- A CPM 1-to-1 Chat Session established for the target's communications has been released (see clause 7.13.3.4.4.3).

Table 7.13.3.4.4-1: Payload for RCSSessionRelease record

Field name	Type	Cardinality	Description	M/C/O
rCSTargetIdentities	SEQUENCE OF RCSIdentity	1..MAX	RCS target identities. All identities associated to the target known at the POI shall be included.	M
conversationID	RCSConversationID	1	Set to the value of the Conversation-ID header in the original SIP INVITE request.	M
contributionID	RCSContributionID	1	Set to the value of the Contribution-ID header in the original SIP INVITE request.	M
rCSSessionType	RCSSessionType	1	Indicates the type of RCSSession.	M
sessionDirection	Direction	1	Shall be provided to identify the direction of the session relative to the target: "toTarget" or "fromTarget".	M
sessionEndpoints	RCSSessionEndpoints	1	Indicates whether the session continued through the server or is terminated at the server.	M
rCSSIPSessionMessage	RCSSIPSessionMessage	1	Shall contain the SIP message that triggered the xIRI, an indication of whether the establishment or removal of a leg has been attempted or completed.	M
location	Location	0..1	Shall include the target's location when reporting of the target's location information is authorized and available.	C

7.13.3.4.4.2 CPM Standalone Message session release

The IRI-POI in the RCS Server shall generate the RCSSessionRelease xIRI when it detects the following events:

- The RCS Server returns a SIP 200 OK in response to a SIP BYE sent to or from the target for a SIP session established to transfer a Large Message Mode CPM Standalone Message.

7.13.3.4.4.3 CPM 1-to-1 Chat session release

The IRI-POI in the RCS Server shall generate the RCSSessionRelease xIRI when it detects the following events:

- The RCS Server returns a SIP 200 OK in response to a SIP BYE sent to or from the target for the last active leg of a SIP session established for a CPM Session.

7.13.3.4.5 RCS session parameters

7.13.3.4.5.1 Type: RCSSessionType

The RCSSessionType shall be set to indicate the type of RCS Session being reported.

Table 7.13.3.4.5.1-1: Enumeration for RCSSessionType parameter

Enumeration	Description
largeMessageStandalone	Shall be selected if the session being reported is related to a Large Message Mode CPM Standalone Message.
oneTo1Chat	Shall be selected if the session being reported is a one-to-one chat session (see GSMA RCC.07 [78] clause 3.2.3).

7.13.3.4.5.2 Type: RCSSessionEndpoints

The RCSSessionEndpoints shall be set to indicate whether the RCS Session is currently established between the server and the remote endpoint, between the server and the local client or from the remote endpoint to the local client.

Table 7.13.3.4.5.2-1: Enumeration for RCSSessionEndpoints parameter

Enumeration	Description
remoteOnly	Shall be selected if the session has been established only between the RCS Server and the remote endpoint.
localOnly	Shall be selected if the session has been established only between the RCS Server and the local client.
localAndRemote	Shall be selected if the session has been established between the local RCS Client and a remote endpoint.

7.13.3.4.5.3 Type: RCSSIPSessionMessage

Table 7.13.3.4.5.3-1: Payload for RCSSIPSessionMessage parameter

Field name	Type	Cardinality	Description	M/C/O
sessionLeg	RCSSessionLeg	1	Identifies the leg of the RCS session.	M
sIPMessage	IMSPayload	1	Contains the SIP Message.	M
rCSSessionResult	RCSSessionResult	1	Contains an indication of the resulting state of the RCS Session Leg.	M
mSRPPPathInfo	MSRPPPath	0..1	Shall be present if the SIP Message contains path information for an MSRP Session.	C

7.13.3.4.5.4 Type: RCSSessionLeg

The RCSSessionLeg shall be set to indicate whether the SIP Session Exchange is between the server and a remote endpoint or between the server and the local client.

Table 7.13.3.4.5.4-1: Enumeration for RCSSessionLeg parameter

Enumeration	Description
remoteLeg	Shall be selected if the exchange took place between the server and a remote endpoint.
localLeg	Shall be selected if the exchange took place between the server and the local client.

7.13.3.4.5.5 Void

7.13.3.4.5.6 Type: RCSSessionResult

The RCSSessionResult shall be set to indicate whether the addition, removal or modification of the leg has been requested or completed.

Table 7.13.3.4.5.6-1: Enumeration for RCSSessionResult parameter

Enumeration	Description
newLegRequested	Shall be selected if the message that triggered the event was a SIP INVITE for a new SIP Session leg.
newLegEstablished	Shall be selected if the message that triggered the event was a 200 OK response to a SIP INVITE for a new SIP Session leg.
legModificationRequested	Shall be selected if the message that triggered the event was a SIP INVITE for an existing SIP Session leg.
legModificationComplete	Shall be selected if the message that triggered the event was a 200 OK response to a SIP INVITE for an existing SIP Session leg.
legRemovalRequest	Shall be selected if the message that triggered the event was a SIP BYE.
legRemovalComplete	Shall be selected if the message that triggered the event was a SIP 200 OK response to a SIP BYE or an error response to a SIP INVITE.

7.13.3.4.5.7 MSRPPath

Table 7.13.3.4.5.7-1: Payload for MSRPPath parameter

Field name	Type	Cardinality	Description	M/C/O
path	UTF8String	1	Contains the value of the path attribute for the MSRP media-line present in the SIP Message being reported. See IETF RFC 4975 [79] clause 8.	M

7.13.3.5 Capability discovery

7.13.3.5.1 RCS Capability discovery record

The IRI-POI present in the RCS server shall generate an xIRI containing an RCSCapabilityDiscovery when the IRI-POI present in the RCS server detects that an RCS target has received RCS service capabilities for his contact(s) or has sent capabilities to a contact.

Accordingly, the IRI-POI in the RCS server generates the xIRI when any of the following events is detected:

- The RCS server receives a SIP OPTIONS request sent by a target which contains the capabilities of the target in the Contact header.
- The RCS server returns a SIP response with the response code is 200, 480, 408, 404 or 604 for a SIP OPTIONS request sent by the target.
- The RCS server receives a SIP OPTIONS request for the target which contains the capabilities of the target's contact in the Contact header.
- The RCS server returns a SIP response for a SIP OPTIONS request received from a target's contact.

- The RCS server sends a SIP NOTIFY request to the target with the Event header set to "presence.wininfo". The SIP NOTIFY request contains the RCS state and RCS capabilities of a target's contact.
- The RCS server receives a SIP SUBSCRIBE request from a target's contact with the Event header set to "presence.wininfo".
- The RCS server receives a SIP PUBLISH request from the target to initially announce, update and remove RCS capabilities.

Table 7.13.3.5.1-1: Payload for RCSCapabilityDiscovery record

Field name	Type	Cardinality	Description	M/C/O
rCSTargetIdentities	SEQUENCE OF RCSIdentity	1..MAX	RCS target identities. All identities associated to the target known at the POI shall be included.	M
rCSTargetContactIdentities	SEQUENCE OF RCSIdentity	1..MAX	RCS target's contact identities. All identities associated to the target's contact known at the POI shall be included.	C
sIPMessage	IMSPayload	1	The SIP Message may be either an OPTIONS request, or SIP OPTIONS response, or SIP SUBSCRIBE request, or SIP NOTIFY request or SIP PUBLISH request	M
direction	Direction	1	Shall be provided to identify the direction of the message relative to the target: "toTarget" or "fromTarget".	M
location	Location	0..1	Shall include the target's location when available according to the location reporting type provisioned for the task.	C

7.13.3.6 RCS reported at the start of intercept

7.13.3.6.1 Records

7.13.3.6.1.1 General

The IRI-POI in the RCS Server shall generate the xIRI records in the following clauses when the IRI-POI in the RCS Server detects that interception has been activated for a user who is already registered as an RCS User. A user is considered registered for RCS when the RCS Server has an active context for the user.

7.13.3.6.1.2 StartOfInterceptForRegisteredRCSUser record

Table 7.13.3.6.1.2-1: Payload for StartOfInterceptForRegisteredRCSUser record

Field name	Type	Cardinality	Description	M/C/O
rCSTargetIdentities	SEQUENCE OF RCSIdentity	1..MAX	RCS target identities. All identities associated to the target known at the POI shall be included.	M
rCSRegistrationInformation	SEQUENCE OF RCSRegistrationInformation	1..MAX	Shall contain the registration information known at the RCS Server. If more than one set of registration information is present, the POI shall populate one instance of the <i>RCSRegistrationInformation</i> type per set of information.	M
userOnline	BOOLEAN	1	Shall be set to TRUE if at least one endpoint is currently online for the user. Shall be set to FALSE if no endpoints are currently online for the user.	M
location	Location	0..1	Shall include the location of the primary endpoint registered to the target RCS user when reporting of the target's location information is authorized and available.	C
additionalInstanceLocation	SEQUENCE OF AdditonallInstanceLocation	0..MAX	Shall include locations of any additional endpoints registered to the target RCS user when reporting of the target's location information is authorized and available.	C

7.13.3.6.1.3 StartOfInterceptWithEstablishedRCSSession record

The IRI-POI in the RCS Server shall send one StartOfInterceptWithEstablishedRCSSession record for each session that is currently active for the user. The IRI-POI shall consider the session to be active if at least one leg of the session is open.

Table 7.13.3.6.1.3-1: Payload for StartOfInterceptWithEstablishedRCSSession record

Field name	Type	Cardinality	Description	M/C/O
rCSTargetIdentities	SEQUENCE OF RCSIdentity	1..MAX	RCS target identities. All identities associated to the target known at the POI shall be included.	M
participants	SEQUENCE OF RCSDestinations	1..MAX	Shall identify the participants of the session.	M
conversationID	RCSConversationID	1	Set to the value of the current Conversation-ID header for the session.	M
contributionID	RCSContributionID	1	Set to the value of the current Contribution-ID header for the session.	M
rCSSessionType	RCSSessionType	1	Indicates the type of RCS Session.	M
rCSSessionEndpoints	RCSSessionEndpoints	1	Indicates whether the session continues through the server or is terminated at the server.	M
rCSSessionLegs	SEQUENCE OF RCSSIPSessionExchange	0..MAX	Contains a list of the active legs for the session. Shall be populated with the last SIP INVITE request received at and SIP INVITE response sent by the RCS Server for the leg being reported. Shall be included if the RCS Server maintains a history of the SIP invites for sessions.	C
rCSSessionInformation	SEQUENCE OF RCSSessionContext	1..MAX	Contains the context for the session.	M
location	Location	0..1	Shall include the location of the primary endpoint registered to the target RCS user when reporting of the target's location information is authorized and available.	C
additionalInstanceLocation	SEQUENCE OF AdditionalInstanceLocation	0..MAX	Shall include locations of any additional endpoints registered to the target RCS user when reporting of the target's location information is authorized and available.	C

7.13.3.6.2 Parameters

7.13.3.6.2.1 Type: RCSRegistrationInformation

Table 7.13.3.6.2.1-1 contains details for the RCSRegistrationInformation type.

Table 7.13.3.6.2.1-1: Choices for RCSRegistrationInformation parameter

Choice name	Type	Description
sIPRegistration	RCSSIPRegistrationExchange	Contains the last SIP REGISTER request received at and SIP REGISTER response sent by the RCS Server. Shall be chosen if the RCS Server maintains a history of the SIP registration messages.
userProfile	XMLType	Contains the IMS user profile for the RCS user as described in TS 29.228 [130] clause 7.7. Shall be present if the RCS Server maintains context for the user in the format described in TS 29.228 [130]. As there is no namespace defined for the userProfile schema defined in 29.228, the <i>.XMLType.namespace</i> parameter shall be populated with the string "TS29.228_CxData_Type_Rel17.xsd".
multiDevice	XMLType	Contains the multi-device profile for the individual instance of the RCS User being reported. Shall be present if the RCS Server contains a multi-device context for the user in the format described in TS 24.174 [131]. The <i>.XMLType.namespace</i> parameter shall be populated with "http://uri.etsi.org/ngn/params/xml/simservs/xcap".
presenceDocument	XMLType	Contains the presence information for the RCS user in the format of a PIDF as described in GSMA RCC.07 [78]. The <i>.XMLType.namespace</i> parameter shall be populated with "urn:ietf:params:xml:ns:pidf".

7.13.3.6.2.2 Type: RCSSessionLegContext

Table 7.13.3.6.2.2-1 contains details for the RCSSessionLegContext type.

Table 7.13.3.6.2.2-1: Choices for RCSSessionLegContext parameter

Choice name	Type	Description
cPMSessionInfo	MIMEEntity	Contains the CPM Session context as described in OMA-TS-CPM_Message-Storage [132] clause 5.2.1. Shall be present if the RCS Server maintains context for the user's sessions in the format described in OMA-TS-CPM_Message-Storage [132]. The <i>.MIMEEntity.contentType</i> parameter shall be populated with "Application/X-CPM-Session".

7.13.3.6.2.3 Type: RCSSIPRegistrationExchange

Table 7.13.3.6.2.3-1 contains details for the RCSSIPRegistrationExchange type.

Table 7.13.3.6.2.3-1: Payload for RCSSIPRegistrationExchange parameter

Field name	Type	Cardinality	Description	M/C/O
rCSRegistrationUpdateRequest	IMSPayload	1	SIP REGISTER request related to target IMS Registration, Reregistration or Deregistration.	M
rCSRegistrationUpdateResponse	IMSPayload	1	SIP REGISTER response related to target IMS Registration, Reregistration or Deregistration.	M

7.13.3.6.2.4 Type: RCSSIPSessionExchange

Table 7.13.3.6.2.4-1: Payload for RCSSIPSessionExchange parameter

Field name	Type	Cardinality	Description	M/C/O
sessionLeg	RCSSessionLeg	1	Identifies the leg of the RCS session.	M
sIPRequest	IMSPayload	1	Contains the request sent or received.	M
sIPResponse	IMSPayload	1	Contains the response received or sent.	M

7.13.3.6.2.5 Type: AdditionalInstanceLocation

Table 7.13.3.6.2.5-1: Payload for AdditionalInstanceLocation parameter

Field name	Type	Cardinality	Description	M/C/O
instance	SIPEndpoint	1	Identifies the endpoint for which the location applies.	M
location	Location	1	Shall include locations of the additional endpoints registered to the target RCS user.	M

7.13.4 Generation of IRI over LI_HI2

When an xIRI is received over LI_X2 from the IRI-POI in the RCS server, the MDF2 shall send the IRI message over LI_HI2 without undue delay. The IRI message shall contain a copy of the relevant record received from LI_X2. The record may be enriched by other information available at the MDF (e.g. additional location information).

The timestamp field of the ETSI TS 102 232-1 [9] PSHeader structure shall be set to the time at which the RCS server event was observed (i.e. the timestamp field of the xIRI).

Tables 7.13.4-1 shows the IRI type (see ETSI TS 102 232-1 [9] clause 5.2.10) to be used for each record type.

Table 7.13.4-1: IRI type for messages

Record type	IRI Type
RCSRegistration	REPORT
RCSCapabilityDiscovery	REPORT
RCSMessage	REPORT
RCSSESSIONEstablishmentAttempt	REPORT
RCSSESSIONModification	REPORT
RCSSESSIONRelease	REPORT
StartOfInterceptForRegisteredRCSUser	REPORT
StartOfInterceptWithEstablishedRCSSESSION	REPORT

7.13.5 Redaction of unauthorised information from encapsulated RCS payloads

7.13.5.1 General

RCS consists of multiple layers of protocols, each of which may include information that, depending on the warrant, is not authorized for delivery. If the RCS implementation uses protocols other than SIP and MSRP, the modifications specified below shall be adapted as required to redact the unauthorised information and the modifications made shall be described within the IRI delivered to the LEA using the structure described in Annex M clause 2.2.

All of the requirements for the redaction of unauthorised information from IMS record payloads (see clause 7.12.9) shall also apply to encapsulated RCS payloads.

7.13.5.2 Redaction of location information

7.13.5.2.1 General

Depending on the RCS event being reported and the implementation, location information may be present in the headers of one or more protocol layers, the body of one or more protocol layers, or both.

In all cases, if content is authorised, location information present in the content portion of a user generated payload shall not be redacted.

When location is not authorised, all location information shall be redacted from the encapsulated RCS payload prior to its delivery over LI_HI2. As such, when location is not authorised, the MDF2 and, optionally, the IRI-POIs in the RCS Server, the supporting IMS elements, and any RCS file transfer elements shall be provisioned with the payload modifications detailed in the subclauses below.

Additionally, if the location present in the RCS payload is the location of the non-target party, and this information is not authorised, the location shall be redacted.

If an implementation has location information in other portions of the payload, when the location is included the appropriate modifications shall be made to the encapsulated payload in addition to those specified below prior to the delivery of the message over LI_HI2.

7.13.5.2.2 Redaction of location information from presence information

If the geopriv element of presence information is considered to be location, the Content-Type of any body part at any layer of the RCS message is "application/pdf+xml", and if the presence information contains a geopriv element, the character data of each element within each location-info element shall be overwritten with the zero character such that the length of the element does not change.

7.13.5.2.3 Redaction of location information from CPIM messages

In some cases, the information that would normally be present in the P-Access-Network-Info or Cellular-Network-Info headers of a SIP message is sent as implementation specific headers within the CPIM headers. In this case, these headers shall be redacted as described in clause 7.12.9.2 when the delivery of P-Access-Network-Info or Cellular-Network-Info is not authorised.

7.13.5.3 Redaction of communications content

7.13.5.3.1 General

In some cases portions of an encapsulated RCS payload may contain communications content. Unless otherwise specified, all communications content shall be redacted from the encapsulated payload prior to its delivery over LI_HI2. As such, the MDF2 and, optionally, the IRI-POIs in the RCS Server, the supporting IMS elements, and any RCS file transfer elements shall be provisioned with the payload modifications detailed in the subclauses below.

If an implementation has communications content in other portions of the payload, the appropriate modifications shall be made to the encapsulated payload in addition to those specified below prior to the delivery of the message over LI_HI2.

7.13.5.3.2 Redaction of text content

If the Content-Type of any body part at any layer of the RCS message is "text" or any of the subtypes of "text", the contents of that body part shall be overwritten with the space character in the original encoding such that the length of the body remains unchanged.

7.13.5.3.3 Redaction of content from the Subject header field

If the delivery of the content of the Subject header is unauthorised, each character of the field-value of the Subject header of any body part of any layer of the RCS message shall be replaced with a space.

7.13.5.3.4 Redaction of content from Geolocation PUSH messages

If the delivery of Geolocation PUSH messages is unauthorised, if the Content-Type of any body part at any layer of the RCS message is "application/vnd.gsma.rcs-ft-http+xml":

- the value of the label attribute of the data element of the rcspushlocation element shall be overwritten with the "space" character such that the length of the attribute does not change.
- the value of the id attribute of the data element of the rcspushlocation element shall be overwritten with the "space" character such that the length of the attribute does not change.
- the character data of each element within each location-info element shall be overwritten with the zero character such that the length of the element does not change.

7.13.5.3.5 Redaction of URLs from file transfer messages

If the delivery of the URL of a file being transferred is not authorised, if the Content-Type of any body part at any layer of the RCS message is "application/vnd.gsma.rcs-ft-http+xml":

- the value of any url attribute of the data element of the file-info element shall be overwritten with the "space" character such that the length of the attribute does not change.

7.13.6 Generation of xCC over LI_X3

7.13.6.1 General

As described in TS 33.127 [5] clause 7.13, content for RCS may be present in the RCS Server, the HTTP Content Server or the File Localisation Server.

Where generation of xCC for RCS services is required, the following clauses apply. As a deployment option, RCS content may alternatively be delivered as xIRI over LI_HI2 as defined in clauses 7.13.3.3 and 7.13.3.4.

The interception of content at the RCS Server is covered in clause 7.13.6.2. When interception at the RCS Server is not possible (e.g. when the RCS Server is provided by a third party), RCS Content may alternatively be intercepted in IMS as described in clause 7.12.6. The interception of content at the HTTP Content Server is described in clause 7.13.6.3.

The interception of content at the File Localisation Server is described in clause 7.13.6.4.

7.13.6.2 Generation of xCC at the CC-POI in the RCS Server

The CC-POI present in the RCS Server shall send xCC over LI_X3 for any of the RCS events listed in TS 33.127 [5] clause 7.13.4.1 where content is available.

When the RCS contents consist of a SIP Message, the xCC payload shall consist of the RCS contents given as a SIP message as described in ETSI TS 103 221-2 [8] clause 5.4.10. The payload format shall be set to "SIP Message" (value 9).

When the RCS contents consist of an MSRP Message, the xCC payload shall consist of the RCS contents given as an MSRP Message as described in ETSI TS 103 221-2 [8] clause 5.4.14. The payload format shall be set to "MSRP Message" (value 13).

When the RCS contents consist of a MIME Entity, the xCC payload shall consist of the RCS contents given as a MIME encoded document as described in ETSI TS 103 221-2 [8] clause 5.4.16. The payload format shall be set to "MIME Message" (value 15).

7.13.6.3 Generation of xCC at the CC-POI in the HTTP Content Server

The interception of content at the HTTP Content Server is not described in the present document.

7.13.6.4 Generation of xCC at the CC-POI in the File Localisation Server

The interception of content at the File Localisation Server is not described in the present document.

7.13.6.5 Payload direction

The CC-POI shall set the payload direction to indicate the direction of the message containing the content being reported as xCC delivered to the MDF3 as described in ETSI TS 103 221-2 [8] clause 5.2.6.

7.13.7 Generation of CC over LI_HI3

Where generation of CC for RCS services is required, the following clause applies. As a deployment option, RCS content may alternatively be delivered as IRI over LI_HI2 as defined in clause 7.13.4.

When xCC is received over LI_X3 from a CC-POI, the MDF3 shall deliver the CC over LI_HI3 to the LEMF according to the clause 5.5.3 without undue delay.

The MDF3 shall populate the threeGPP33128DefinedCC field with a CCPDU structure containing RCSCCPDU.

When the payload format of the xCC received over LI_X3 is "SIP Message" (value 9), the CC shall be mediated as *RCSCCPDU.encapsulatedRCSPayload.sIP*.

When the payload format of the xCC received over LI_X3 is "MSRP Message" (value 13), the CC shall be mediated as *RCSCCPDU.encapsulatedRCSPayload.mSRP*.

When the payload format of the xCC received over LI_X3 is "MIME Message" (value 15), the CC shall be mediated as *RCSCCPDU.encapsulatedRCSPayload.mIME*.

The MDF3 shall populate the timeStamp field of the ETSI TS 102 232-1 [9] PSHeader structure of CC with the xCC timeStamp and the Payload Direction of the CCPayload structure to reflect the value received on xCC. The LIID and CID fields shall correctly reflect the target identity and communication session to which the CC belongs.

7.14 LI at EES

7.14.1 Provisioning over LI_X1

7.14.1.1 Provisioning of IRI-POI in EES

The IRI-POI present in the EES is provisioned over LI_X1 by the LIPF using the X1 protocol as described in clause 5.2.2.

The POI in the EES shall support the identifier types given in table 7.14.1-1.

Table 7.14.1-1: TargetIdentifier Types for Edge Computing

Identifier	Owner	ETSI TS 103 221-1 [7] TargetIdentifier type	Definition
gPSIMSISDN	ETSI	GPSIMSISDN	See ETSI TS 103 221-1 [7]
gPSINAI	ETSI	GPSINAI	See ETSI TS 103 221-1 [7]
eECID	3GPP	TargetIdentifierExtension	See XSD schema

Table 7.14.1-2 shows the minimum details of the LI_X1 ActivateTask message used for provisioning the IRI-POI in the EES.

If the IRI-POI in the EES receives an ActivateTask message and the ListOfServiceTypes parameter contains a ServiceType that is not supported, the IRI-POI in the EES shall reject the task with an appropriate error as described in ETSI TS 103 221-1 [7] clause 6.2.1.2.

Table 7.14.1-2: ActivateTask message for the IRI-POI in the EES

ETSI TS 103 221-1 [7] field name	Description	M/C/O
XID	XID assigned by LIPF.	M
TargetIdentifiers	One of the target identifiers listed in the paragraph above.	M
DeliveryType	Set to "X2Only".	M
ListOfDIDs	Delivery endpoints for LI_X2 for the IRI-POI in the EES. These delivery endpoints are configured using the CreateDestination message as described in ETSI TS 103 221-1 [7] clause 6.3.1 prior to the task activation.	M
ListOfServiceTypes	Shall be included when the task should only intercept specific CSP service types as described in clause 5.2.4. This parameter is defined in ETSI TS 103 221-1 [7] clause 6.2.1.2 table 4.	C

7.14.1.2 Provisioning of the MDF2

The MDF2 listed as the delivery endpoint over LI_X2 for xIRI generated by the EES shall be provisioned over LI_X1 by the LIPF.

The target identities listed in clause 7.14.1.1 shall apply for the provisioning of MDF2.

Table 7.14.1-3 shows the minimum details of the LI_X1 ActivateTask message used for provisioning the MDF2.

Table 7.14.1-3 ActivateTask message for MDF2

ETSI TS 103 221-1 [7] field name	Description	M/C/O
XID	XID assigned by LIPF.	M
TargetIdentifiers	One or more of the target identifiers listed in clause 7.14.1.1.	M
DeliveryType	Set to "X2Only". (Ignored by the MDF2).	M
ListOfDIDs	Delivery endpoints of LI_HI2. These delivery endpoints shall be configured using the <i>CreateDestination</i> message as described in ETSI TS 103 221-1 [7] clause 6.3.1 prior to first use.	M
ListOfMediationDetails	Sequence of Mediation Details. See table 7.14.1-3.	M

Table 7.14.1-3: Mediation Details for MDF2

ETSI TS 103 221-1 [7] field name	Description	M/C/O
LIID	Lawful Intercept ID associated with the task.	M
DeliveryType	Set to "HI2Only".	M
ListOfDIDs	Details of where to send the IRI for this LIID. Shall be included if deviation from the ListofDIDs in the ActivateTask message is necessary. If included, the ListOfDIDs in the Mediation Details shall be used instead of any delivery destinations authorised by the ListOfDIDs field in the ActivateTask Message.	C
ServiceScoping	Using the format defined in ETS TS 103 221 [7] include the service scoping as applicable to this LIID based on the service scoping listed above the table.	C

When an additional warrant is activated on a target UE and the LIPF uses the same XID for the additional warrant, the MDF2 shall be able to generate and deliver IRI message for each additional warrant without receiving a corresponding xIRI.

7.14.2 Generation of xIRI at IRI-POI in EES over LI_X2

7.14.2.1 General

The IRI-POI present in the EES shall send the xIRIs over LI_X2 for each of the events listed in TS 33.127 [5] clause 7.14.4, the details of which are described in the following clauses.

NOTE: If GPSI is the target, then xIRIs shall be generated only if the GPSI is available.

7.14.2.2 EEC registration and deregistration

The IRI-POI in the EES shall generate an xIRI containing an EESEECRegistration record when the IRI-POI present in the EES detects that an EEC has registered, updated its registration or deregistered. The IRI-POI present in the EES shall generate the xIRI for the following events:

- EES returns Eees_EECRegistration_Request response towards the EEC confirming the registration of the EEC for the target UE to the EES (as defined in TS 24.558 [93] clause 5.2.2.2).
- EES returns Eees_EECRegistration_Update response towards the EEC confirming the update of the registration information of the EEC for the target UE at the EES (as defined in TS 24.558 [93] clause 5.2.2.3).
- EES returns Eees_EECRegistration_Deregister response towards the EEC confirming the deregistration of the EEC for the target UE from a given EES (as defined in TS 24.558 [93] clause 5.2.2.4).

Table 7.14.2-1: EESEECRegistration record

Field name	Description	M/C/O
registrationType	Types of registration. Possible values are: "Registration", "Registration Update", "Deregistration".	M
eECID	Unique identifier of the EEC.	M
gPSI	GPSI of the target UE, if available.	C
aCProfiles	Profiles of application clients (ACs) for which the EEC provides edge enabling services, if available. See table 7.14.2-2.	C
eECServiceContSupport	ACR (Application Context Relocation) scenarios supported by the EEC for service continuity if any.	C
expirationTime	Expiration time for the registration. If absent for registration types "Registration" and "Registration Update", registration of EEC never expires.	C
eECContextID	Unique identifier of the EEC context if available.	C
srcEESID	Identifier of the EES providing the EEC context identifier, if available.	C
unfulfilledACProfiles	If requirements indicated in the AC profile(s) cannot be fulfilled for some of the AC profile(s), the EES shall include "unfulfilledAcProfiles" attribute containing the list of ACIDs of such AC Profile(s) and appropriate reasons, if available.	C
failureResponse	Cause information when the registration, registration update or deregistration has failed, if available.	C

Table 7.14.2-2: Details of aCProfile parameter

Field name	Description	M/C/O
aCID	Application client identity.	M
aCType	Category or type of application client, if available.	C
aCSchedule	Expected operation schedule of the AC (e.g. time windows) if available.	C
expACGeoServArea	Expected location(s) of the hosting UE during the AC's operation schedule, if available.	C
eASsInfo	List of EAS that serve the AC along with the service KPIs required by the AC if available. See table 7.14.2-3.	C
aCServiceContSupport	ACR scenarios supported by the AC for service continuity, if any.	C

Table 7.14.2-3: Details of eASInfo parameter

Field name	Description	M/C/O
eASId	EAS identity.	M
expectedSvcKPIs	KPIs expected in order for Acs to receive currently required services from the EAS. See table 7.14.2-4.	C
minimumReqSvcKPIs	Minimum KPIs required in order for Acs to receive meaningful services from the EAS. See table 7.14.2-4.	C

Table 7.14.2-4: Details of expectedSvcKPIs and minimumReqSvcKPIs parameters

Field name	Description	M/C/O
connectionBandwidth	Required connection bandwidth in Kbit/s for the application.	C
requestRate	Request rate to be generated by the AC.	C
responseTime	Response time required for the server servicing the requests.	C
requestedAvailability	Percentage of time the server is required to be available for the AC's use.	C
requestedCompute	Compute resources required by the AC.	C
requestedGraphCompute	Graphical compute resources required by the AC.	C
requestedMemory	Memory resources required by the AC.	C
requestedStorage	Storage resources required by the AC.	C

7.14.2.3 EAS discovery

The IRI-POI in the EES shall generate an xIRI containing an EESEASDiscovery record when the IRI-POI present in the EES detects that an EEC has requested a one-time EAS discovery information. The IRI-POI present in the EES shall generate the xIRI for the following events:

- EES returns Eees_EASDiscovery_Request response to the EEC containing a one-time EAS discovery information (as defined in TS 24.558 [93] clause 5.3.2.2).

Table 7.14.2-5: EESEASDiscovery record

Field name	Description	M/C/O
eECID	Unique identifier of the EEC.	M
gPSI	GPSI of the target UE, if available.	C
eASDiscoveryFilter	Set of characteristics to determine required EASs, if available.	C
eECServiceContSupport	ACR scenarios supported by the EEC for service continuity if any.	C
locationInfo	Location information of the target UE, if available.	C
eASTargetDNAIs	Target DNAI information which can be associated with potential target EAS(s), if available.	C
discoveredEAS	List of discovered EAS(s), if available.	C
failureResponse	Cause information when the discovery request has failed, if available.	C

Table 7.14.2-6: Details of eASDiscoveryFilter parameter endpoint

Field name	Description	M/C/O
aCCharacteristics	Acs for which a matching EAS is needed. See Table 7.14.2-2.	C
eASCharacteristics	Characteristics of required EASs. See table 7.14.2-7.	C
NOTE: Either aCCharacteristics or eASCharacteristics shall be present.		

Table 7.14.2-7: Details of eASCharacteristics parameter

Field name	Description	M/C/O
eASID	EAS Identity, if available.	C
aSPID	Identity of the ASP which provides the EAS, if available.	C
eASType	EAS type or category, if available.	C
eASSchedule	Availability schedule of the EAS (e.g. time windows), if available.	C
eASProfile	Profiles of the discovered EASs, if available. See table 7.14.2-8.	C
eASServiceArea	List of geographical and topological service areas that the EAS serves, if available.	C
eASServicePermLevel	Level of service permissions (e.g. trial, gold-class) supported by the EAS, if available.	C

Table 7.14.2-8: Details of discoveredEAS parameter

Field name	Description	M/C/O
eASProfile	Profiles of the discovered EASs. See table 7.14.2-9.	C
lifetime	Time duration in seconds for which the EAS information is valid and supposed to be cached in the EEC.	C

Table 7.14.2-9: Details of eASProfile parameter

Field name	Description	M/C/O
eASID	EAS Identity.	M
eASEndpoint	Endpoint information (e.g. URI, FQDN, IP address) used to communicate with the EAS.	M
aCIDs	Identities of the AC(s) that can be served by the EAS, if available.	C
aSPID	Identity of the ASP which provides the EAS, if available.	C
eASType	EAS type or category, if available.	C
eASDescription	Human-readable description of the EAS.	C
eASSchedule	Availability schedule of the EAS (e.g. time windows), if available.	C
eASServiceArea	List of geographical and topological service areas that the EAS serves, if available.	C
eASServiceKPIs	Service characteristics provided by the EAS.	C
eASServicePermLevel	Level of service permissions (e.g. trial, gold-class) supported by the EAS, if available.	C
eASServiceFeatures	Service features e.g. single vs. multi-player gaming service supported by the EAS, if available.	C
eASServiceContSupport	ACR scenarios supported by the EAS for service continuity if any.	C
appLocs	List of DNAI(s) and the corresponding N6 traffic routing information/routing profile ID, associated with the EAS, if available.	C
eASStatus	EAS status (e.g. Enabled, Disabled etc.), if available.	C

7.14.2.4 EAS discovery subscription

The IRI-POI in the EES shall generate an xIRI containing an EASEASDiscoverySubscription record when the IRI-POI present in the EES detects that an EEC has requested to subscribe, update subscription and unsubscribe to EAS discovery information reporting. The IRI-POI present in the EES shall generate the xIRI for the following events:

- EES returns Eees_EASDiscovery_Subscribe response to the EEC confirming its subscription to EAS discovery information reporting (as defined in TS 24.558 [93] clause 5.3.2.3).

- EES returns Eees_EASDiscovery_UpdateSubscription response to the EEC confirming the update of its subscription at the EES for EAS discovery information reporting (as defined in TS 24.558 [93] clause 5.3.2.5).
- EES returns Eees_EASDiscovery_Unsubscribe response to the EEC confirming the deletion of an existing subscription at the EES to EAS discovery information reporting (as defined in TS 24.558 [93] clause 5.3.2.6)

Table 7.14.2-10: EESEASDiscoverySubscription record

Field name	Description	M/C/O
eECID	Unique identifier of the EEC.	M
gPSI	GPSI of the target UE, if available.	C
subscriptionType	Subscription type, i.e. "Subscription", "Subscription Update" or "Unsubscription".	M
eASEventType	Event type for which the EEC shall be notified	M
eASDiscoveryFilter	Set of characteristics to determine required EASs, if available.	C
eASDynamicInfoFilter	List of EAS dynamic information required by the EEC per EAS, if available. See table 7.14.2-11.	C
eECServiceContSupport	ACR scenarios supported by the EC for service continuity if any.	C
expirationTime	Expiration time for the subscription. If absent for subscription types "Subscription" and Subscription Update", EAS discovery subscription from EEC never expires.	C
subscriptionId	Subscription identity, if available.	C
failureResponse	Cause information when the discovery request has failed, if available.	C

Table 7.14.2-11: Details of eASDynamicInfoFilter parameter

Field name	Description	M/C/O
eASId	EAS identifier.	M
eASStatus	Notify if EAS status changed.	C
eASACIDs	Notify if list of AC identifiers changed.	C
eASDescription	Notify if EAS description changed.	C
eASEndpoint	Notify if EAS endpoint changed.	C
eASFeature	Notify if EAS feature changed.	C
eASSchedule	Notify if EAS schedule changed.	C
eASServiceArea	Notify if EAS service area changed.	C
eASServiceKPIs	Notify if EAS KPIs changed.	C
eASServiceContinuity	Notify if EAS supported ACR changed.	C

7.14.2.5 EAS discovery notification

The IRI-POI in the EES shall generate an xIRI containing an EESEASDiscoveryNotification record when the IRI-POI present in the EES detects that the EES has notified a previously subscribed EEC on EAS discovery information. The IRI-POI present in the EES shall generate the xIRI for the following events:

- EES receives an Eees_EASDiscovery_Notify response from an EEC confirming that the subscribed EEC has received EAS discovery information (as defined in TS 24.558 [93] clause 5.3.2.4).

NOTE: Because it is HTTP-based transaction the notification request is always supposed to be received by the EEC which needs to answer with the response.

Table 7.14.2-12: EESEASDiscoveryNotification record

Field name	Description	M/C/O
subscriptionID	Identity of the individual subscription for which the notification is delivered.	M
eventType	Event type for which the notification is delivered;	M
discoveredEAS	List of EAS discovery information. See table 7.14.2-8.	M
failureResponse	Cause information when the discovery notification request has failed, if available.	C

7.14.2.6 Application context relocation

The IRI-POI in the EES shall generate an xIRI containing an EESAppContextRelocation record when the IRI-POI present in the EES detects that an EEC has requested ACR (Application Context Relocation) determination or ACR initiation. The IRI-POI present in the EES shall generate the xIRI for the following events:

- EES returns Eees_AppContextRelocation_Determine response to the EEC confirming that EEC has carried out ACR determination (as defined in TS 24.558 [93] clause 5.5.2.2). EEC requests that the EES evaluates if ACR is needed and subsequently initiate the ACR procedure if required.
- EES returns Eees_AppContextRelocation_Initiate response to the EEC confirming that EEC has carried out ACR initiation (as defined in TS 24.558 [93] clause 5.5.2.3). EEC requests initiation of an ACR procedure.

Table 7.14.2-13: EESAppContextRelocation record

Field name	Value	M/C/O
eECID	Unique identifier of the EEC.	M
gPSI	GPSI of the target UE, if available.	C
aCRDetermineReq	See table 7.14.2-14.	C
aCRInitiateReq	See table 7.14.2-15.	C

Table 7.14.2-14: Details of aCRDetermineReq parameter

Field name	Description	M/C/O
eASID	Identifier of the EAS, if available.	C
aCID	Identifier of the AC, if available.	C
sEASEndpoint	Endpoint information of the selected S-EAS.	M

Table 7.14.2-15: Details of aCRInitiateReq parameter

Field name	Description	M/C/O
eASID	Identifier of the EAS, if available.	C
aCID	Identifier of the AC, if available.	C
tEASEndpoint	Endpoint information of the T-EAS (target EAS).	M
sEASEndpoint	Endpoint information of the S-EAS (serving EAS).	C
previousTEASEndpoint	Endpoint information of the previous T-EAS.	C
routeReq	T-EAS's DNAI information and corresponding N6 traffic routing information and/or routing profile ID, if available.	C

7.14.2.7 Application context relocation information subscription

The IRI-POI in the EES shall generate an xIRI containing an EESACRSubscription record when the IRI-POI present in the EES detects that an EEC has requested to subscribe, update subscription and unsubscribe to ACR events. The IRI-POI present in the EES shall generate the xIRI for the following events:

- EES returns Eees_ACREvents_Subscribe response to the EEC confirming its subscription for reporting of ACR information notification (as defined in TS 24.558 [93] clause 5.4.2.2).
- EES returns Eees_ACREvents_UpdateSubscription response to the EEC confirming the update of its subscription for reporting of ACR information notification (as defined in TS 24.558 [93] clause 5.4.2.4).
- EES returns Eees_ACREvents_Unsubscribe response to the EEC confirming the deletion of an existing subscription at the EES to ACR events (as defined in TS 24.558 [93] clause 5.4.2.5)

Table 7.14.2-16: EESACRSubscription record

Field name	Description	M/C/O
eECID	Unique identifier of the EEC.	M
gPSI	GPSI of the target UE, if available.	C
subscriptionType	Subscription type, i.e. "Subscription", "Subscription Update" or "Unsubscription".	M
expirationTime	Expiration time for the subscription. If absent for subscription types "Subscription" and Subscription Update", application context relocation subscription from EEC never expires.	C
eASIDs	List of identifier of the EASs, if available.	M
aCIDs	List of identifier of the ACs, if available.	C
eventIDs	Specifies the events for which EEC is subscribing.	M
subscriptionId	Subscription identity, if available	C
failureResponse	Cause information when the discovery request has failed, if available.	C

7.14.2.8 Application context relocation information notification

The IRI-POI in the EES shall generate an xIRI containing an EESACRNotification record when the IRI-POI present in the EES detects that the EES has notify a previously subscribed EEC on EAS discovery information. The IRI-POI present in the EES shall generate the xIRI for the following events:

- EES receives an Eees_ACREvents_Notify response from an EEC confirming that the subscribed EEC has received a notification of the ACR information events from EES (as defined in TS 24.558 [93] clause 5.4.2.2).

Table 7.14.2-17: EESACRNotification record

Field name	Description	M/C/O
subscriptionID	Identity of the individual subscription for which the notification is delivered.	M
eASID	Identifier of the EAS.	M
eventIDs	Specifies the events for which notification is sent.	M
targetInfo	Details of the selected T-EAS and the T-EES. It is present when EventID indicates "TARGET_INFORMATION" event.	C
aCRRes	Indicates whether the ACR is successful or has failed. It is present when EventID indicates "ACR_COMPLETE" event.	C
failReason	Indicates the cause information for the failure when the aCRRes attribute is present and indicates failure, if available.	C

7.14.2.9 EEC context relocation

The IRI-POI in the EES shall generate an xIRI containing an EESEECContextRelocation record when the IRI-POI present in the EES detects that the EES has sent or received the EEC context relocation information. The IRI-POI present in the EES shall generate the xIRI for the following events according to its new serving EE (referred to as target EES in TS 24.558 [93] or current serving EES (referred to as source EES in TS 24.558 [93]) role:

- Target EES (T-EES) receives an Eees_EECCContextRelocation_Pull response from a Source EES (S-EES) upon request from the T-EES to S-EES (as defined in TS 29.558 [94] clause 5.10.2.2).
- T-EES sends an Eees_EECCContextRelocation_Push response to a S-EES upon request from the S-EES to T-EES (as defined in TS 29.558 [94] clause 5.10.2.3).
- S-EES sends an Eees_EECCContextRelocation_Pull response to a T-EES.
- S-EES receives an Eees_EECCContextRelocation_Push response from a T-EES.

NOTE : The term target EES is used in TS 29.558[94] referring the new serving EES and the term serving EES is referring to the old serving EES.

Table 7.14.2-17: EESEECContextRelocation record

Field name	Description	M/C/O
eECID	Unique identifier of the EEC.	M
gPSI	GPSI of the target UE, if available.	C
cntxtID	Unique identifier of the EEC context.	M
uELoc	Latest location information of the target UE, that is available at the EES, if available.	C
aCProfiles	Profiles of application clients (ACs) for which the EEC provides edge enabling services, if available. See table 7.14.2-2.	C

7.14.2.10 Start of interception with registered EEC

The IRI-POI in the AES shall generate an xIRI containing an EESStartOfInterceptionWithRegisteredEEC record when the IRI-POI present in the EES detects that interception is activated on a UE which EEC has already registered with an EES.

Table 7.14.2-18: EESStartOfInterceptionWithRegisteredEEC record

Field name	Description	M/C/O
eECID	Unique identifier of the EEC.	M
gPSI	GPSI of the target UE, if available.	C
aCProfiles	Profiles of application clients (ACs) for which the EEC provides edge enabling services, if available. See table 7.14.2-2.	C
eECServiceContSupport	ACR scenarios supported by the EEC for service continuity if any.	C
expirationTime	Expiration time for the registration. If absent for registration types "Registration" and "Registration Update", registration of EEC never expires.	C
eECContextID	Unique identifier of the EEC context, if available.	C
srcEESID	Identifier of the EES providing the EEC context identifier, if available.	C
unfulfilledACProfiles	If requirements indicated in the AC profile(s) cannot be fulfilled for some of the AC profile(s), the EES shall include "unfulfilledAcProfiles" attribute containing the list of ACIDs of such AC Profile(s) and appropriate reasons, if available.	C
timeOfRegistration	Time at which the last registration occurred, if available.	C

7.14.2.11 Generation of IRI over LI_HI2

When an xIRI is received over LI_X2 from the IRI-POI in the EES, the MDF2 shall send the IRI message over LI_HI2 without undue delay. The IRI message shall contain a copy of the relevant record received from LI_X2. The record may be enriched by other information available at the MDF (e.g. additional location information).

The ETSI TS 102 232-1 [9] @LI-PS-PDU.pSHeader.timeStamp field shall be set to the time at which the EES event was observed (i.e. the timestamp field of the xIRI).

The @LI-PS-PDU.payload.iRIPayloadSequence.iRIType parameter (see ETSI TS 102 232-1 [9] clause 5.2.10) shall be included and coded according to table 7.14.2-19.

Table 7.14.2-19: IRI type for IRI messages

Record type	IRI Type
EESEECRegistration	REPORT
EESEASDiscovery	REPORT
EESEASDiscoverySubscription	REPORT
EESEASDiscoveryNotification	REPORT
EESAppContextRelocation	REPORT
EESACRSubscription	REPORT
EESACRNotification	REPORT
EESEECContextRelocation	REPORT
EESStartOfInterceptionWithRegisteredEEC	REPORT

The @LI-PS-PDU.payload.iRIPayloadSequence.iRIContents.threeGPP33128DefinedIRI field of the LI_HI2 message shall be populated with the BER-encoded IRIPayload as described in ETSI TS 102 232-7 [10] clause 15.

When an additional warrant is activated on a target UE and the LIPF uses the same XID for the additional warrant, the MDF2 shall be able to generate and deliver the IRI message containing the EESStartOfInterceptionWithRegisteredEEC record to the LEMF associated with the additional warrant without receiving a corresponding xIRI. The payload of the EESStartOfInterceptionWithRegisteredEEC record is specified in table 7.14.2-18. The MDF2 shall generate and deliver the IRI message containing the EESStartOfInterceptionWithRegistered record for each of the registrations to the LEMF associated with the new warrant.

MDF2 delivers the IRI to the LEMF with GPSI as the target identity if and only if GPSI is present in the xIRI.

7.15 LI at 5GMS AF

7.15.1 Provisioning over LI_X1

7.15.1.1 Provisioning of IRI-POI in 5GMS AF

The IRI-POI present in the 5GMS AF is provisioned over LI_X1 by the LIPF using the X1 protocol as described in clause 5.2.2.

The POI in the 5GMS AF shall support the target identifier types given in table 7.15.1.1-1.

Table 7.15.1.1-1: TargetIdentifier types for 5G media streaming

Identifier	Owner	ETSI TS 103 221-1 [7] TargetIdentifier type	Definition
gPSIMSISDN	ETSI	GPSIMSISDN	See ETSI TS 103 221-1 [7]
gPSINAI	ETSI	GPSINAI	See ETSI TS 103 221-1 [7]

Table 7.15.1.1-2 shows the minimum details of the LI_X1 ActivateTask message used for provisioning the IRI-POI in the 5GMS AF.

If the IRI-POI in the 5GMS AF receives an ActivateTask message and the ListOfServiceTypes parameter contains a ServiceType that is not supported, the IRI-POI in the 5GMS AF shall reject the task with an appropriate error as described in ETSI TS 103 221-1 [7] clause 6.2.1.2.

Table 7.15.1.1-2: ActivateTask message for the IRI-POI in the 5GMS AF

ETSI TS 103 221-1 [7] field name	Description	M/C/O
XID	XID assigned by LIPF.	M
TargetIdentifiers	One of the target identifiers listed in the paragraph above.	M
DeliveryType	Set to "X2Only".	M
ListOfDIDs	Delivery endpoints for LI_X2 for the IRI-POI in the 5GMS AF. These delivery endpoints are configured using the CreateDestination message as described in ETSI TS 103 221-1 [7] clause 6.3.1 prior to the task activation.	M
ListOfServiceTypes	Shall be included when the explicit identification of specific CSP service types to be intercepted by the task as described in clause 5.2.4 is required. This parameter is defined in ETSI TS 103 221-1 [7] clause 6.2.1.2 table 4.	M

7.15.1.2 Provisioning of the MDF2

The MDF2 listed as the delivery endpoint over LI_X2 for xIRI generated by the 5GMS AF shall be provisioned over LI_X1 by the LIPF.

The target identities listed in clause 7.15.1.1 shall apply for the provisioning of MDF2.

Table 7.15.1.2-1 shows the minimum details of the LI_X1 ActivateTask message used for provisioning the MDF2.

Table 7.15.1.2-1 ActivateTask message for MDF2

ETSI TS 103 221-1 [7] field name	Description	M/C/O
XID	XID assigned by LIPF.	M
TargetIdentifiers	One or more of the target identifiers listed in clause 7.15.1.1.	M
DeliveryType	Set to "X2Only". (Ignored by the MDF2).	M
ListOfDIDs	Delivery endpoints of LI_HI2. These delivery endpoints shall be configured using the <i>CreateDestination</i> message as described in ETSI TS 103 221-1 [7] clause 6.3.1 prior to first use.	M
ListOfMediationDetails	Sequence of Mediation Details, See table 7.15.1.2-2	M

Table 7.15.1.2-2: Mediation Details for MDF2

ETSI TS 103 221-1 [7] field name	Description	M/C/O
LIID	Lawful Intercept ID associated with the task.	M
DeliveryType	Set to "HI2Only".	M
ListOfDIDs	Details of where to send the IRI for this LIID. Shall be included if deviation from the ListofDIDs in the ActivateTask message is necessary. If included, the ListOfDIDs in the Mediation Details shall be used instead of any delivery destinations authorised by the ListOfDIDs field in the ActivateTask Message.	C
ServiceScoping	Service type set to "Data". Other fields are dependent on the warrant.	M

7.15.2 Generation of xIRI over LI_X2

7.15.2.1 General

The IRI-POI present in the 5GMS AF shall send the xIRIs over LI_X2 for each of the events listed in TS 33.127 [5] clause 7.15.4, the details of which are described in the following clauses.

7.15.2.2 Service access information

The IRI-POI in the 5GMS AF shall generate an xIRI containing an 5GMSAFServiceAccessInformation record when the IRI-POI present in the 5GMS AF detects that an 5GMS AF has sent the service access information to the Media Session Handler in the target UE. The IRI-POI present in the 5GMS AF shall generate the xIRI for the following event (as specified in TS 26.512 [98] clause 11.2):

- 5GMS AF returns retrieveServiceAccessInformation response (i.e. 200 OK) in response to retrieveServiceAccessInformation request (i.e. GET) received from the Media Session Handler in the target UE which requests Service Access Information.

Table 7.15.2.2-1: Payload for FiveGMSAFServiceAccessInformation

Field name	Description	M/C/O
gPSI	GPSI of the target UE.	M
serviceAccessInformationResource	Includes service access information resource data encoded according to 26.512 [98] clause 11.2.3. The SBIReference for this parameter shall be populated with 'TS26512_M5_ServiceAccessInformation.yaml#/components/schemas/ServiceAccessInformationResource'	M

7.15.2.3 Consumption reporting

The IRI-POI in the 5GMS AF shall generate an xIRI containing an 5GMSAFConsumptionReporting record when the IRI-POI present in the 5GMS AF detects that an 5GMS AF has received a consumption report from the target UE. The IRI-POI present in the 5GMS AF shall generate the xIRI for the following event (as specified in TS 26.512 [98] clause 11.3):

- 5GMS AF returns submitConsumptionReport Response (i.e. 204 No Content) in response to a submitConsumptionReport Request (i.e. POST) from the Media Session Handler in the target UE which submits a consumption report.

Table 7.15.2.3-1: Payload for FiveGMSAFConsumptionReporting

Field name	Description	M/C/O
gPSI	gPSI of the target UE.	M
consumptionReport	Includes a consumption report according to 26.512 [98] clause 11.3.3. The SBIReference for this parameter shall be populated with 'TS26512_M5_ConsumptionReporting.yaml#/components/schemas/ConsumptionReport'.	M

7.15.2.4 Dynamic policy invocation

The IRI-POI in the 5GMS AF shall generate an xIRI containing an 5GMSAFDynamicPolicyInvocation record when the IRI-POI present in the 5GMS AF detects that an 5GMS AF has received a dynamic policy from the target UE. The IRI-POI present in the 5GMS AF shall generate the xIRI for the following events (as specified in TS 26.512 [98] clause 11.5):

- 5GMS AF returns a createDynamicPolicy Response (i.e. 201 Created) in response to a createDynamicPolicy Request (i.e. POST) from the Media Session Handler in the target UE which creates a dynamic policy resource.
- 5GMS AF returns a retrieveDynamicPolicy Response (i.e. 200 OK) in response to a retrieveDynamicPolicy Request (i.e. GET) from the Media Session Handler in the target UE which retrieves the dynamic policy resource.
- 5GMS AF returns an updateDynamicPolicy Response (i.e. 200 OK or 204 No Content) in response to an updateDynamicPolicy Request (i.e. PUT) from the Media Session Handler in the target UE which replaces the dynamic policy resource.
- 5GMS AF returns a patchDynamicPolicy Response (i.e. 200 OK or 204 No Content) in response to a patchDynamicPolicy Request (i.e. PATCH) from the Media Session Handler in the target UE which modifies the dynamic policy resource.
- 5GMS AF returns a destroyDynamicPolicy Response (i.e. 204 No Content) in response to a destroyDynamicPolicy Request (i.e. DELETE) from the Media Session Handler of the target UE which deletes the dynamic policy resource.

Table 7.15.2.4-1: Payload for FiveGMSAFDynamicPolicyInvocation

Field name	Description	M/C/O
gPSI	GPSI of the target UE.	M
dynamicPolicyResource	Includes a dynamic policy resource according to 26.512 [98] clause 11.5.3. The SBIReference for this parameter shall be populated with 'TS26512_M5_DynamicPolicies.yaml#/components/schemas/DynamicPolicy'.	M
dPIOperationType	Type of operation applied to the dynamic policy resource, i.e. createDynamicPolicy, retrieveDynamicPolicy, updateDynamicPolicy, patchDynamicPolicy, destroyDynamicPolicy.	M

7.15.2.5 Metrics reporting

The IRI-POI in the 5GMS AF shall generate an xIRI containing an 5GMSAFMetricsReporting record when the IRI-POI present in the 5GMS AF detects that an 5GMS AF has received a metrics report from the target UE. The IRI-POI present in the 5GMS AF shall generate the xIRI for the following event (as specified in TS 26.512 [98] clause 11.4):

- 5GMS AF returns submitMetricsReport Response (i.e. 204 No Content) in response to a submitMetricsReport Request (i.e. POST) from the Media Session Handler in the target UE which submits a metrics report.

Table 7.15.2.5-1: Payload for FiveGMSAFMetricsReporting

Field name	Description	M/C/O
gPSI	GPSI of the target UE.	M
metricsReport	Includes a metrics report according to 26.512 [98] clause 11.4.3. Encoded according to TS 26.512 [98] clause C.4.3 and TS 26.247 [99]. The XMLNamespace for this parameter shall be set to 'urn:3gpp:metadata:2011:HSD:receptionreport'.	M

7.15.2.6 Network assistance

The IRI-POI in the 5GMS AF shall generate an xIRI containing an FiveGMSAFNetworkAssistance record when the IRI-POI present in the 5GMS AF detects that an 5GMS AF has received a network assistance from the target UE. The IRI-POI present in the 5GMS AF shall generate the xIRI for the following events (as specified in TS 26.512 [98] clause 11.6):

- 5GMS AF returns a createNetworkAssistanceSession Response (i.e. 201 Created) in response to a createNetworkAssistanceSession Request (i.e. POST) from the Media Session Handler in the target UE which creates a network assistance session resource.
- 5GMS AF returns a retrieveNetworkAssistanceSession Response (i.e. 200 OK) in response to a retrieveNetworkAssistanceSession Request (i.e. GET) from the Media Session Handler in the target UE which retrieves an existing network assistance session resource.
- 5GMS AF returns an updateNetworkAssistanceSession Response (i.e. 200 OK or 204 No Content) in response to an updateNetworkAssistanceSession Request (i.e. PUT) from the Media Session Handler in the target UE which replaces an existing network assistance session resource.
- 5GMS AF returns a patchNetworkAssistanceSession Response (i.e. 200 OK or 204 No Content) in response to a patchNetworkAssistanceSession Request (i.e. PATCH) from the Media Session Handler in the target UE which modifies the network assistance session resource.
- 5GMS AF returns a destroyNetworkAssistanceSession Response (i.e. 204 No Content) in response to a destroyNetworkAssistanceSession Request (i.e. DELETE) from the Media Session Handler in the target UE which deletes the network assistance session resource.
- 5GMS AF returns a requestBitRateRecommendation Response (i.e. 200 OK) in response to a requestBitRateRecommendation Request (i.e. GET) from the Media Session Handler in the target UE which requests a bit rate recommendation for the next recommendation window.
- 5GMS AF returns a requestDeliveryBoost Response (i.e. 200 OK) in response to a requestDeliveryBoost Request (i.e. POST) from the Media Session Handler in the target UE which requests a delivery boost.

Table 7.15.2.6-1: Payload for FiveGMSAFNetworkAssistance

Field name	Description	M/C/O
gPSI	GPSI of the target UE.	M
networkAssistanceSessionResource	Includes a network assistance session resource according to 26.512 [98] clause 11.6.3. The SBIReference for this parameter shall be populated with 'TS26512_M5_NetworkAssistance.yaml#/components/schemas/NetworkAssistanceSession'.	M
nAOperationType	Type of operation applied to the network assistance resource, i.e. createNetworkAssistanceSession, retrieveNetworkAssistanceSession, updateNetworkAssistanceSession, patchNetworkAssistanceSession, destroyNetworkAssistanceSession, requestBitRateRecommendation and requestDeliveryBoost.	M

7.15.2.7 Unsuccessful procedure

The IRI-POI in the 5GMS AF shall generate an xIRI containing a FiveGMSAFUnsuccessfulProcedure record when the IRI-POI present in the 5GMS AF detects an unsuccessful procedure or error condition for a target UE. Accordingly, the IRI-POI in the 5GMS AF generates the xIRI when any of the following events are detected:

- 5GMS AF returns retrieveServiceAccessInformation response (i.e. 404 Not Found) in response to retrieveServiceAccessInformation request (i.e. GET) from the target UE.
- 5GMS AF returns submitConsumptionReport Response (i.e. 400 Bad Request or 415 Unsupported Media Type) in response to a submitConsumptionReport Request (i.e. POST) from the target UE.
- 5GMS AF returns submitMetricsReport Response (i.e. 400 Bad Request or 415 Unsupported Media Type) in response to a submitMetricsReport Request (i.e. POST) from the target UE.
- 5GMS AF returns a createDynamicPolicy Response (i.e. 400 Bad Request or 401 Unauthorized) in response to a createDynamicPolicy Request (i.e. POST) from the target UE.
- 5GMS AF returns a retrieveDynamicPolicy Response (i.e. Either 400 Bad Request or 401 Unauthorized or 404 Not Found) in response to a retrieveDynamicPolicy Request (i.e. GET) from the target UE.
- 5GMS AF returns an updateDynamicPolicy Response (i.e. Either 400 Bad Request or 401 Unauthorized or 404 Not Found) in response to an updateDynamicPolicy Request (i.e. PUT) from the target UE.
- 5GMS AF returns a patchDynamicPolicy Response (i.e. Either 400 Bad Request or 401 Unauthorized or 404 Not Found) in response to a patchDynamicPolicy Request (i.e. PATCH) from the target UE.
- 5GMS AF returns a destroyDynamicPolicy Response (i.e. Either 400 Bad Request or 401 Unauthorized or 404 Not Found) in response to a destroyDynamicPolicy Request (i.e. DELETE) from the target UE.
- 5GMS AF returns a createNetworkAssistanceSession Response (i.e. 400 Bad Request or 401 Unauthorized) in response to a createNetworkAssistanceSession Request (i.e. POST) from the target UE.
- 5GMS AF returns a retrieveNetworkAssistanceSession Response (i.e. Either 400 Bad Request or 401 Unauthorized or 404 Not Found) in response to a retrieveNetworkAssistanceSession Request (i.e. GET) from the target UE.
- 5GMS AF returns an updateNetworkAssistanceSession Response (i.e. Either 400 Bad Request or 401 Unauthorized or 404 Not Found) in response to an updateNetworkAssistanceSession Request (i.e. PUT) from the target UE.
- 5GMS AF returns a patchNetworkAssistanceSession Response (i.e. Either 400 Bad Request or 401 Unauthorized or 404 Not Found) in response to a patchNetworkAssistanceSession Request (i.e. PATCH) from the target UE.
- 5GMS AF returns a destroyNetworkAssistanceSession Response (i.e. Either 400 Bad Request or 401 Unauthorized or 404 Not Found) in response to a destroyNetworkAssistanceSession Request (i.e. DELETE) from the target UE.
- 5GMS AF returns a requestBitRateRecommendation Response (i.e. Either 400 Bad Request or 401 Unauthorized or 404 Not Found) in response to a requestBitRateRecommendation Request (i.e. GET) from the target UE.
- 5GMS AF returns a requestDeliveryBoost Response (i.e. Either 400 Bad Request or 401 Unauthorized or 404 Not Found) in response to a requestDeliveryBoost Request (i.e. POST) from the target UE.

Table 7.15.2.7-1: Payload for FiveGMSAFNetworkAssistance

Field name	Description	M/C/O
gPSI	GPSI of the target UE.	M
fiveGMSAFUnsuccessfulOperation	Type of unsuccessful operation.	M
fiveGMSAFErrorCode	Error code returned for the unsuccessful operation.	M

7.15.2.8 Start of interception with already configured UE

The IRI-POI in the 5GMS AF shall generate an xIRI containing an FiveGMSAFStartOfInterceptionWithAlreadyConfiguredUE record when the IRI-POI present in the 5GMS AF detects that interception is activated for a target UE which Media Session Handler has already been configured with the service access information.

Table 7.15.2.8-1: Payload for FiveGMSAFStartOfInterceptionWithAlreadyConfiguredUE

Field name	Description	M/C/O
gPSI	GPSI of the target UE.	M
serviceAccessInformationResource	Includes service access information resource data encoded according to 26.512 [98] clause 11.2.3. The SBIReference for this parameter shall be populated with 'TS26512_M5_ServiceAccessInformation.yaml#/components/schemas/ServiceAccessInformationResource'.	M

7.15.3 Generation of IRI over LI_HI2

When an xIRI is received over LI_X2 from the IRI-POI in the 5GMS AF, the MDF2 shall send the IRI message over LI_HI2 without undue delay. The IRI message shall contain a copy of the relevant record received from LI_X2. The record may be enriched by other information available at the MDF (e.g. additional location information).

The ETSI TS 102 232-1 [9] @LI-PS-PDU.pSHeader.timeStamp field shall be set to the time at which the 5GMS AF event was observed (i.e. the timestamp field of the xIRI).

The @LI-PS-PDU.payload.iRIPayloadSequence.iRIType parameter shall be included and coded according to table 7.14.2-19 (see ETSI TS 102 232-1 [9] clause 5.2.10).

Table 7.15.3-1: IRI type for IRI messages

Record type	IRI Type
FiveGMSAFServiceAccessInformation	REPORT
FiveGMSAFConsumptionReporting	REPORT
FiveGMSAFDynamicPolicyInvocation	REPORT
FiveGMSAFMetricsReporting	REPORT
FiveGMSAFNetworkAssistance	REPORT
FiveGMSAFUnsuccessfulProcedure	REPORT
FiveGMSAFStartOfInterceptionWithAlreadyConfiguredUE	REPORT

The @LI-PS-PDU.payload.iRIPayloadSequence.iRISContents.threeGPP33128DefinedIRI field of the LI_HI2 message shall be populated with the BER-encoded IRIPayload as described in ETSI TS 102 232-7 [10] clause 15.

MDF2 delivers the IRI to the LEMF with GPSI as the target identity if and only if GPSI is present in the xIRI.

7.16 LI at NWDAF

7.16.1 Provisioning over LI_X1

7.16.1.1 Provisioning of IRI-POI in NWDAF

The IRI-POI present in the NWDAF is provisioned over LI_X1 by the LIPF using the X1 protocol as described in clause 5.2.2.

The POI in the NWDAF shall support the target identifier types given in table 7.16.1.1-1.

Table 7.16.1.1-1: TargetIdentifier types for data analytics

Identifier	Owner	ETSI TS 103 221-1 [7] TargetIdentifier type	Definition
SUPIIMSI	ETSI	SUPIIMSI	See ETSI TS 103 221-1 [7]
SUPINAI	ETSI	SUPINAI	See ETSI TS 103 221-1 [7]

Table 7.16.1.1-2 shows the minimum details of the LI_X1 ActivateTask message used for provisioning the IRI-POI in the NWDAF.

If the IRI-POI in the NWDAF receives an ActivateTask message and the ListOfServiceTypes parameter contains a ServiceType that is not supported, the IRI-POI in the NWDAF shall reject the task with an appropriate error as described in ETSI TS 103 221-1 [7] clause 6.2.1.2.

Table 7.16.1.1-2: ActivateTask message for the IRI-POI in the NWDAF

ETSI TS 103 221-1 [7] field name	Description	M/C/O
XID	XID assigned by LIPF.	M
TargetIdentifiers	One of the target identifiers listed in the paragraph above.	M
DeliveryType	Set to "X2Only".	M
ListOfDIDs	Delivery endpoints for LI_X2 for the IRI-POI in the NWDAF. These delivery endpoints are configured using the CreateDestination message as described in ETSI TS 103 221-1 [7] clause 6.3.1 prior to the task activation.	M

7.16.1.2 Provisioning of the MDF2

The MDF2 listed as the delivery endpoint over LI_X2 for xIRI generated by NWDAF shall be provisioned over LI_X1 by the LIPF.

The target identities listed in clause 7.16.1.1 shall apply for the provisioning of MDF2.

Table 7.16.1.2-1 shows the minimum details of the LI_X1 ActivateTask message used for provisioning the MDF2.

Table 7.16.1.2-1: ActivateTask message for MDF2

ETSI TS 103 221-1 [7] field name	Description	M/C/O
XID	XID assigned by LIPF.	M
TargetIdentifiers	One or more of the target identifiers listed in table 7.16.1.1-1.	M
DeliveryType	Set to "X2Only". (Ignored by the MDF2).	M
ListOfDIDs	Delivery endpoints of LI_HI2. These delivery endpoints shall be configured using the <i>CreateDestination</i> message as described in ETSI TS 103 221-1 [7] clause 6.3.1 prior to first use.	M
ListOfMediationDetails	Sequence of Mediation Details (see table 7.16.1.2-2).	M

Table 7.16.1.2-2: Mediation Details for MDF2

ETSI TS 103 221-1 [7] field name	Description	M/C/O
LIID	Lawful Interception ID associated with the task.	M
DeliveryType	Set to "HI2Only".	M
ListOfDIDs	Details of where to send the IRI for this LIID. Shall be included if deviation from the ListofDIDs in the ActivateTask message is necessary. If included, the ListOfDIDs in the Mediation Details shall be used instead of any delivery destinations authorised by the ListOfDIDs field in the ActivateTask message.	C
ServiceScoping	Service type set to "Data". Other fields are dependent on the warrant.	M

7.16.2 Generation of xIRI over LI_X2

7.16.2.1 General

The IRI-POI present in the NWDAF shall send the xIRIs over LI_X2 for each of the events listed in TS 33.127 [5] clause 7.18.4, the details of which are described in the following clauses.

7.16.2.1.1 Target matching

The POI in the NWDAF shall report analytics only when the target SUPI is the single SUPI for which the analytics is run.

7.16.2.2 Events subscription

The IRI-POI in the NWDAF shall generate an xIRI containing an NWDAFEventsSubscription record when the IRI-POI present in the NWDAF detects that an NF consumer has subscribed, updated a subscription or deleted a subscription for UE related analytics events for a target UE.

Accordingly, the IRI-POI in the NWDAF generates the xIRI when any of the following events is detected (see TS 29.520 [133] clause 4.2.2.1):

- NWDAF returns a Nnwdaf_EventsSubscription_Subscribe Response in response to Nnwdaf_EventsSubscription_Subscribe Request received from an authorized NF consumer to subscribe to UE related analytics events for a target UE.
- NWDAF returns a Nnwdaf_EventsSubscription_Subscribe Response in response to Nnwdaf_EventsSubscription_Subscribe Request received from an NF consumer to update a subscription to UE related analytics events for a target UE.
- NWDAF returns a Nnwdaf_EventsSubscription_Unsubscribe Response in response to Nnwdaf_EventsSubscription_Unsubscribe Request received from an NF consumer to unsubscribe from UE related analytics event notifications for a target UE.

Table 7.16.2.2-1: Payload for NWDAFEventsSubscription record

Field name	Type	Cardinality	Description	M/C/O
sUPI	SUPI	1	Identifies the SUPI of the target UE.	M
nWDAFConsumerNFTType	NWDAFConsumerNFTType	1	Identifies the type of NF consumer.	M
nWDAFEventsSubscriptionOpType	NWDAFEventsSubscriptionOperation	1	Identifies the type of Nnwdaf_EventsSubscription service operation, i.e., POST to create a subscription, PUT to update a subscription, DELETE to delete a subscription.	M
nWDAFSubscribedEventList	SEQUENCE OF NWDAFEvent	1..MAX	Identifies the list of analytics events the NF consumer subscribes to.	M
nWDAFEventsSubscription	SBIType	1	Includes the NnwdafEventsSubscription resource which contains a set of events and their configuration data the NF consumer subscribes to. Encoded according to TS 29.520 [133] table 5.1.6.2.3-1. The SBReference for this parameter shall be populated with 'TS29520_Nnwdaf_EventsSubscription.yaml#/components/schemas/NnwdafEventsSubscription' as specified in TS 29.520 [133] clause A2.	M
nWDAFEventsSubscriptionID	UTF8String	0..1	Identifies the subscription if the subscription is created successfully. It is present in the Location header of the 201 Created response when the subscription is created using the POST method as defined in TS 29.520 [133] table 5.1.3.2.3.1-4. It represents the resource URI of both the PUT method for subscription update and DELETE method for subscription deletion.	C
nWDAFEventSubscriptionResponseCode	NWDAFEventSubscriptionResponseCode	1	Identifies the response code associated with the Nnwdaf_EventsSubscription service operation executed by the NWDAF.	M

7.16.2.3 Events notification

The IRI-POI in the NWDAF shall generate an xIRI containing an NWDAFEventsNotification record when the IRI-POI present in the NWDAF detects that the NWDAF has notified an NF consumer about UE related analytics events for a target UE.

Accordingly, the IRI-POI in the NWDAF generates the xIRI when any of the following events is detected (see TS 29.520 [133] clause 4.2.2.1):

- NWDAF sends a Nnwdaf_EventsSubscription_Notify Request to notify a NF consumer about subscribed UE related analytics events for a target UE.

Table 7.16.2.3-1: Payload for NWDAFEventsNotification record

Field name	Type	Cardinality	Description	M/C/O
sUPI	SUPI	1	Identifies the SUPI of the target UE.	M
nWDAFNotifiedEventList	SEQUENCE OF NWDAFEvent	1..MAX	Identifies the analytics events notified to the NF consumer.	M
nWDAFEventsNotification	SBIType	1	Includes a NwdafEventsSubscriptionNotification resource which provides information about the observed events. The NwdafEventsSubscriptionNotification is encoded according to TS 29.520 [133] table 5.1.6.2.4-1. The SBIReference for this parameter shall be populated with 'TS29520_Nnwdaf_EventsSubscription.yaml#/components/schemas/NnwdafEventsSubscriptionNotification' as specified in TS 29.520 [133] clause A2. The NwdafEventsSubscriptionNotification resource includes the SubscriptionId which enables correlating the events subscription and events notification.	M

7.16.2.4 Analytics info query

The IRI-POI in the NWDAF shall generate an xIRI containing an NWDAFAnalyticsInfoQuery record when the IRI-POI present in the NWDAF detects that an authorized NF consumer queries an UE-related analytics for a target UE.

Accordingly, the IRI-POI in the NWDAF generates the xIRI when any of the following events is detected (see TS 29.520 [133] clause 4.3.2.1):

- NWDAF returns a Nnwdaf_AnalyticsInfo_Request Response in response to Nnwdaf_AnalyticsInfo_Request Request received from an authorized NF consumer to get analytics data for an UE related analytics event for a target UE.

Table 7.16.2.4-1: Payload for NWDAFAnalyticsInfoQuery record

Field name	Type	Cardinality	Description	M/C/O
sUPI	SUPI	1	Identifies the SUPI of the target UE.	M
nWDAFEvent	NWDAFEvent	1	Identifies the analytics event being requested.	M
nWDAFEventReportingRequirement	SBIType	0..1	Includes an EventReportingRequirement resource associated to the requested event to identify the type of reporting required. The EventReportingRequirement is encoded according to TS 29.520 [133] table 5.1.6.2.7-1. The SBIReference for this parameter shall be populated with 'TS29520_Nnwdaf_AnalyticsInfo.yaml#/components/schemas/EventReportingRequirement' as specified in TS 29.520 [133] clause A3.	C
nWDAFEventFilter	SBIType	0..1	Includes an EventFilter resource associated to the requested event to identify the requested analytics. The EventFilter is encoded according to TS 29.520 [133] table 5.2.6.2.3-1. The SBIReference for this parameter shall be populated with 'TS29520_Nnwdaf_AnalyticsInfo.yaml#/components/schemas/EventFilter' as specified in TS 29.520 [133] clause A3.	C
nWDAFAnalyticsData	NWDAFAnalyticsInfoResponse	0..1	Includes an AnalyticsData resource present in the response when the response code is 200 OK. The AnalyticsData is encoded according to TS 29.520 [133] table 5.2.6.2.2-1. The SBIReference for this parameter shall be populated with 'TS29520_Nnwdaf_AnalyticsInfo.yaml#/components/schemas/AnalyticsData' as specified in TS 29.520 [133] clause A3.	C
nWDAFAnalyticsInfoResponseCode	NWDAFAnalyticsInfoResponseCode	1	Identifies the response code associated with the Nnwdaf_AnalyticsInfo_Request service operation (i.e., GET) executed by the NWDAF.	M

7.16.2.5 Roaming scenarios

7.16.2.5.1 General

In the roaming scenario, the NWDAF in the visited network that receives a request from the NF consumer (of visited network) may pass the query to the NWDAF in the home network and vice versa. As described in TS 33.127 [5], the NWDAF is a V-RE-NWDAF (when it is in the visited network) or a H-RE-NW-DAF when it is the home network.

The IRI-POI functions described in this clause applies to the V-RE-NWDAF or H-RE-NWDAF depending on which of the two receives the query from the other NWDAF. The NWDAF that provides the IRI-POI functions is referred to as RE-NWDAF in the following two sub-clauses.

7.16.2.5.2 Roaming analytics subscription

The IRI-POI in the RE-NWDAF shall generate an xIRI containing an NWDAFRoamingAnalyticsSubscription record when the IRI-POI present in the RE-NWDAF detects that an NWDAF consumer has subscribed, updated a subscription or deleted a subscription for UE related analytics events for a target inbound or outbound roaming UE.

Accordingly, the IRI-POI in the RE-NWDAF generates the xIRI when any of the following events is detected (see TS 29.520 [133] clause 4.9.2.1):

- RE-NWDAF returns a Nnwdaf_RoamingAnalytics_Subscribe Response in response to Nnwdaf_RoamingAnalytics_Subscribe Request received from a NWDAF consumer to subscribe to UE related analytics events for a target UE.
- RE-NWDAF returns a Nnwdaf_RoamingAnalytics_Subscribe Response in response to Nnwdaf_RoamingAnalytics_Subscribe Request received from a NWDAF consumer to update a subscription to UE related analytics events for a target UE.
- RE-NWDAF returns a Nnwdaf_RoamingAnalytics_Unsubscribe Response in response to Nnwdaf_RoamingAnalytics_Unsubscribe Request received from a NWDAF consumer to unsubscribe from UE related analytics events notifications for a target UE.

Table 7.16.2.5.2-1: Payload for NWDAFRoamingAnalyticsSubscription record

Field name	Type	Cardinality	Description	M/C/O
sUPI	SUPI	1	Identifies the SUPI of the target UE.	M
pLMNID	PLMNID	1	Identifies the PLMN ID of the consumer NWDAF.	M
nWDAFEventsSubscriptionOpType	NWDAFEventsSubscriptionOperation	1	Identifies the type of Nnwdaf_EventsSubscription service operation, i.e., POST to create a subscription, PUT to update a subscription, DELETE to delete a subscription.	M
nWDAFSubscribedEventList	SEQUENCE OF NWDAFEvent	1..MAX	Identifies the list of events the NWDAF consumer subscribes to.	M
nWDAFEventsSubscription	SBIType	1	Includes the NnwdafRoamingAnalyticsSubscription resource which contains a set of events and their configuration data the NWDAF consumer subscribes to. Encoded according to TS 29.520 [133] table 5.8.6.2.2-1. The SBIReference for this parameter shall be populated with 'TS29520_Nnwdaf_EventsSubscription.yaml#/components/schemas/RoamingAnalyticsSubscription' as specified in TS 29.520 [133] clause A9.	M
nWDAFEventsSubscriptionID	UTF8String	0..1	Identifies the subscription if the subscription is created successfully. It is present in the Location header of the 201 Created response when the subscription is created using the POST method as defined in TS 29.520 [133] table 5.8.3.2.3.1-4. It represents the resource URI of both the PUT method for subscription update and DELETE method for subscription deletion.	C
nWDAFEventsSubscriptionResponseCode	NWDAFEventsSubscriptionResponseCode	1	Identifies the response code associated with the NnwdafRoamingAnalytics service operation executed by the NWDAF.	M

7.16.2.5.3 Roaming analytics notification

The IRI-POI in the RE-NWDAF shall generate an xIRI containing an NWDAFRoamingAnalyticsNotification record when the IRI-POI present in the RE-NWDAF detects that the RE-NWDAF has notified a NWDAF consumer about UE related analytics events for a target inbound or outbound roaming UE.

Accordingly, the IRI-POI in the RE-NWDAF generates the xIRI when any of the following events is detected (see TS 29.520 [133] clause 4.9.2.1):

- NWDAF sends a Nnwdafl_AnalyticsInfo_Notify Request to notify a NF consumer about subscribed UE related analytics events for a target UE.

Table 7.16.2.5.3-1: Payload for NWDAFRoamingAnalyticsNotification record

Field name	Type	Cardinality	Description	M/C /O
sUPI	SUPI	1	Identifies the SUPI of the target UE.	M
nWDAFNotifiedEventList	SEQUENCE OF NWDAFEvent	1..MAX	Identifies the analytics events notified to the NF consumer.	M
nWDAFEventsNotification	SBIType	1	Includes a NwdafRoamingAnalyticsNotification resource which provides information about the observed events. The NwdafRoamingAnalyticsNotification is encoded according to TS 29.520 [133] table 5.8.6.2.3-1. The SBIReference for the NwdafRoamingAnalyticsNotification parameter shall be populated with 'TS29520_Nnwdafl_RoamingAnalytics.yaml#/components/schemas/RoamingAnalyticsNotification' as specified in TS 29.520 [133] clause A9.	M

7.16.3 Generation of IRI over LI_HI2

When an xIRI is received over LI_X2 from the IRI-POI in the NWDAF/RE-NWDAF, the MDF2 shall send the IRI message over LI_HI2 without undue delay. The IRI message shall contain a copy of the relevant record received from LI_X2. The record may be enriched by other information available at the MDF (e.g. additional location information).

The ETSI TS 102 232-1 [9] @LI-PS-PDU.pSHeader.timeStamp field shall be set to the time at which the NWDAF/RE-NWDAF event was observed (i.e. the timestamp field of the xIRI).

The @LI-PS-PDU.payload.iRIPayloadSequence.iRIType parameter shall be included and coded according to table 7.14.2-19 (see ETSI TS 102 232-1 [9] clause 5.2.10).

Table 7.16.3-1: IRI type for IRI messages

Record type	IRI Type
NWDAFEventsSubscription	REPORT
NWDAFEventsNotification	REPORT
NWDAFAnalyticsInfoQuery	REPORT
NWDAFRoamingAnalyticsSubscription	REPORT
NWDAFRoamingAnalyticsNotification	REPORT

The @LI-PS-PDU.payload.iRIPayloadSequence.iRIContents.threeGPP33128DefinedIRI field of the LI_HI2 message shall be populated with the BER-encoded iRIPayload as described in ETSI TS 102 232-7 [10] clause 15.

8 Common Parameter Definitions

8.1 General

The following sub-clauses contain definitions for Types defined in the attached ASN.1 documents that are used by multiple POIs and therefore cannot be placed in a single clause above.

Common parameters that are present within the Location structure are defined in clause 7.3.3.2.

8.2 Simple types

Table 8.2-1: Common Simple Types for LI reporting

Type name	Type definition	Description
CSGID	INTEGER	Closed Subscriber Group Identifier derived from CSG-ID defined in TS 29.272 [106] clause 7.3.79.
IPv4Address	OCTET STRING (SIZE (4))	The IPv4 address being reported in binary representation.
IPv6Address	OCTET STRING (SIZE (16))	The IPv6 address being reported in binary representation.
MCC	NumericString (SIZE (3))	Mobile Country Code.
MNC	NumericString (SIZE (2..3))	Mobile Network Code.
MUSIMUERequestType	OCTET STRING (SIZE(1))	Indicates the reason the UE has requested the release of NAS Signalling or rejected paging. Encoded per UE Request Type omitting the first two octets. See TS 24.301 [51] clause 9.9.3.65.
NID	UTF8String (SIZE(11))	This represents the Network Identifier, which together with a PLMN ID is used to identify an SNPN. See TS 23.003 [19] clause 12.7.1. Encoded as per TS 29.571 [17] clause 5.4.3.
PagingRestrictionIndicator	OCTET STRING (SIZE(1..33))	Indicates the paging restriction requested by the UE or applied by the network for a UE. Derived from the Paging Restriction defined in TS 24.301 [51] clause 9.9.3.66 and TS 24.501 [13] clause 9.11.3.77.
RAC	OCTET STRING (SIZE (2))	Routing Area Code identifying a routing area within a location area. Defined in TS 23.003 [19] clause 4.2.
RATFrequencySelectionPriority	INTEGER (1..256)	Indicates the RAT/Frequency priority to define camp priorities in Idle mode and inter-RAT/inter-frequency priorities for handover in Active mode. See TS 38.413 [23] clause 9.3.1.61 and TS 36.413 [38] clause 9.2.1.39.
RATRestrictionInformation	BIT STRING (SIZE(8,...))	Indicates a list of RATs that are restricted. When used in EPS records, this IE is encoded as specified in TS 36.413 [38] clause 9.2.1.22. When used in 5GS records, this IE is encoded as specified in TS 38.413 [23] clause 9.3.1.85.
SAC	OCTET STRING (SIZE (2))	The Service Area Code (SAC) together with the PLMN-Id and the LAC constitute the Service Area Identifier. The SAC is defined by the operator and set in the RNC via O&M. Defined in TS 23.003 [19] clause 12.5.
TAC	OCTET STRING (SIZE(2..3))	The tracking area code being reported. Given in the format specified in TS 38.413 [23] clause 9.3.3.10.
Timestamp	GeneralizedTime	Unless otherwise specified, the timestamp shall be given qualified with time zone information (i.e. as UTC or offset from UTC, not using the local time format).
TimeZone	UTF8String	String containing the contents defined in TS 29.571 [17] table 5.2.2-1.

Table 8.2-2 contains the details for types that consist only of a SEQUENCE OF or SET OF.

Table 8.2-2: Details of SEQUENCE OF Types

Type name	Definition	Cardinality	Description
TAIList	SEQUENCE OF TAI	0..MAX	Contains a list of TAIs
PLMNList	SEQUENCE OF PLMNID	1..MAX	Contains a list of PLMNs
ForbiddenTACs	SEQUENCE OF TAC	1..MAX	Contains a list of TACs.
ForbiddenLACs	SEQUENCE OF LAC	1..MAX	Contains a list of LACs
RATRestrictions	SEQUENCE OF RATRestrictionItem	1..MAX	Contains a list of RAT Restrictions.
ConnectedENGNBList	SEQUENCE OF ConnectedENGNB	1..MAX	Contains a list of connected en-gNBs.
PLMNSupportList	SEQUENCE OF PLMNSupportItem	1..MAX	Contains a list of supported PLMNs. Derived from the PLMN Support List IE defined in TS 38.413 [23] clause 9.2.6.2. Also can be used to report the Served PLMNs portion of the Served GUMMEIs IE of the S1 SETUP Response defined in TS 36.413 [38] clause 9.1.8.5.

Table 8.2-3 contains the details for Types that use the ExternalASNType.

Table 8.2-3: Details for ExternalASNType

Type name	Definition	Cardinality	Description
TraceActivation	ExternalASNType	1	Information related to a trace session activation provided from the core to the RAN node. The <i>ExternalASNType.encodedASNValue.alignedPER</i> choice shall be used when populating this type and it shall be populated with the contents of the Trace Activation IE as described in the tables for the records that use this Type.

8.3 Identifier Types

8.3.1 General

The following subclauses contain definitions for the identifiers used in the attached ASN.1 documents.

8.3.2 User identifier lists

8.3.2.1 Type: UserIdentifiers

As there are often multiple identifiers that may be known at an NF or by the MDF, a single type capable of reporting multiple User Identifiers was defined.

Table 8.3.2.1-1: Structure of the UserIdentifiers type

Field name	Type	Cardinality	Description	M/C/O
fiveGSSsubscriberIDs	FiveGSSsubscriberIDs	0..1	Contains the list of 5GS identifiers for a user. Shall be present when any 5GS identifiers are known at the NF where the POI is locator or at the MDF.	C
ePSSsubscriberIDs	EPSSsubscriberIDs	0..1	Contains the list of EPS identifiers for a user. Shall be present when any EPS identifiers are known at the NF where the POI is locator or at the MDF.	C

8.3.2.2 Sequence Of user identifier types

Table 8.3.2.2-1 contains the details for types that consist only of a SEQUENCE OF or SET OF.

Table 8.3.2.2-1: Details of SEQUENCE OF Types

Type name	Definition	Cardinality	Description
FiveGSSubscriberIDs	SEQUENCE OF FiveGSSubscriberID	1..MAX	Contains the list of 5GS identifiers for a user. Shall be present when any 5GS identifiers are known at the NF where the POI is locator or at the MDF.
EPSSubscriberIDs	SEQUENCE OF EPSSubscriberID	1..MAX	Contains the list of EPS identifiers for a user. Shall be present when any EPS identifiers are known at the NF where the POI is locator or at the MDF.

8.3.2.3 Type: EPSSubscriberIDs

Table 8.3.2.3-1: Structure of the EPSSubscriberIDs type

Field name	Type	Cardinality	Description	M/C/O
iMSI	IMSI	0..1	Shall be present when the IMSI is known.	C
mSISDN	MSISDN	0..1	Shall be present when the MSISDN is known.	C
iMEI	IMEI	0..1	Shall be present when the IMEI is known.	C

8.3.2.4 Type: FiveGSSubscriberID

Table 8.3.2.4-1: Definition of Choices for FiveGSSubscriberID

CHOICE	Type	Description
sUPI	SUPI	Chosen when the identifier being reported is a SUPI.
sUCI	SUCI	Chosen when the identifier being reported is a SUCI.
pEI	PEI	Chosen when the identifier being reported is a PEI.
gPSI	GPSI	Chosen when the identifier being reported is a GPSI.

8.3.3 Simple Types for Identifiers

Table 8.3-1: Common Simple Types for Identifiers

Type name	Type definition	Description
AMFPointer	INTEGER (0..63)	Derived from the AMF Pointer defined in TS 23.003 [19] clause 2.10.1.
AMFRegionID	INTEGER (0..255)	Derived from the AMF Region ID defined in TS 23.003 [19] clause 2.10.1.
AMFSetID	INTEGER (0..1023)	Derived from the AMF Set ID defined in TS 23.003 [19] clause 2.10.1.
EUI64	OCTET STRING (SIZE(8))	Derived from an IEEE Extended Unique Identifier (EUI-64), for UEs not supporting any 3GPP access technologies, as defined in IEEE "Guidelines for Use of Extended Unique Identifier (EUI), Organizationally Unique Identifier (OUI), and Company ID (CID)" [127].
FiveGTMSI	INTEGER (0..4294967295)	Derived from the TMSI defined in TS 23.003 [19] clause 2.10.1.
HomeNetworkIdentifier	UTF8String	Indicates the home network of the subscriber. Shall be populated as described in TS 23.003 [19] clause 2.2B.
HomeNetworkPublicKeyID	OCTET STRING	Identifies the public key used when generating the SUCI. See TS 23.003 [19] clause 2.2B. This parameter shall be encoded as an OCTET STRING with a single octet containing the Home Network Public Key ID described in 23.003 [19] clause 2.2B.
IMEI	NumericString(SIZE(14))	Derived from the International Mobile Equipment Identity defined in TS 23.003 [19] clause 6.2.1.
IMEISV	NumericString (SIZE(16))	Derived from the International Mobile Equipment Identity and Software Version defined in TS 23.003 [19] clause 6.2.2.
IMSI	NumericString (SIZE(6..15))	Derived from the International Mobile Subscription Identity defined in TS 23.003 [19] clause 2.1 and clause 2.2.
MACAddress	OCTET STRING (SIZE(6))	Derived from a MAC address defined in IETF RFC 7042 [126].
MMECode	OCTET STRING (SIZE(1))	Derived from the MME Code defined in TS 23.003 [19] clause 2.8.1.
MMEGroupID	OCTET STRING (SIZE(2))	Derived from the MME Group ID defined in TS 23.003 [19] clause 2.8.1.
MSISDN	NumericString (SIZE(1..15))	Derived from the MSISDN defined in TS 23.003 [19] clause 3.3.
NAI	UTF8String	A network access identifiers as described in IETF RFC 4282 [125].
ProtectionSchemeID	INTEGER (0..15)	Identifies the Protection Scheme used to generate the SUCI. See TS 23.003 [19] clause 2.2B.
RoutingIndicator	INTEGER (0..9999)	The routing indicator for the SUCI. Used with the Home Network Identifier to route network signalling to the correct UDM/AUSF instances. See TS 23.003 [19] clause 2.2B.
SchemeOutput	OCTET STRING	Contains the characters resulting as the output of the permanent identifier with the protection scheme applied. See TS 23.003 [19] clause 2.2B.
SUPIType	INTEGER (1..7)	Indicates the type of SUPI concealed by a SUCI. Shall be populated as described in TS 23.003 [19] clause 2.2B.
TMSI	OCTET STRING (SIZE(4))	Derived from the TMSI defined in TS 23.003 [19] clause 2.4.

8.3.4 Type: SUPI

The SUPI type is derived from the data present in the Subscription Permanent Identifier type defined in TS 23.003 [19] clause 2.2A.

Table 8.3.4-1 contains the details for the SUPI type.

Table 8.3.4-1: Definition of Choices for SUPI

CHOICE	Type	Description
iMSI	IMSI	Chosen when the SUPI contains an IMSI.
nAI	NAI	Chosen when the SUPI contains an NAI.

8.3.5 Type: SUCI

The SUCI type is derived from the data present in the Subscription Concealed Identifier type defined in TS 23.003 [19] clause 2.2B.

Table 8.3.5-1 contains the details for the SUCI type.

Table 8.3.5-1: Definition of SUCI type

Field name	Type	Cardinality	Description	M/C/O
mCC	MCC	1	The mobile country code identifying the country of the home network for the subscriber. If the SUPI Type is not 0, the MCC shall be populated with '000' and ignored.	M
mNC	MNC	1	The mobile network code identifying the PLMN of the home network of the subscriber. If the SUPI Type is not 0, the MNC shall be populated with '000' and ignored.	M
routingIndicator	RoutingIndicator	1	The routing indicator for the SUCI.	M
protectionSchemeID	ProtectionSchemeID	1	The protection scheme ID used to generate the SUCI.	M
homeNetworkPublicKeyID	HomeNetworkPublicKeyID	1	Identifies the key used for SUPI protection.	M
schemeOutput	SchemeOutput	1	Contains the characters resulting as the output of the permanent identifier with the protection scheme applied.	M
routingIndicatorLength	INTEGER (1..4)	0..1	Shall be included if the length of the routing indicator is different from the number of meaningful digits given in the routingIndicator field.	C
sUPIType	SUPIType	0..1	Indicates the type of SUPI concealed in the SUCI. See TS 23.003 [19] clause 2.2B. Shall be present if present in the SUCI being reported. If this parameter is not present, the SUPI Type may be assumed to be IMSI.	C
homeNetworkIdentifier	HomeNetworkIdentifier	0..1	Identifies the home network of the subscriber. See TS 23.003 [19] clause 2.2B. Shall be present unless the SUPI Type is 0 and the MCC and MNC fields are populated.	C

8.3.6 Type: PEI

The PEI type is derived from the data present in the Permanent Equipment Identifier type defined in TS 23.003 [19] clause 6.4.

Table 8.3.6-1 contains the details for the PEI type.

Table 8.3.6-1: Definition of Choices for PEI

CHOICE	Type	Description
iMEI	IMEI	Chosen when the PEI contains an IMEI.
iMEISV	IMEISV	Chosen when the PEI contains an IMEISV.
mACAddress	MACAddress	Chosen when the PEI contains a MAC Address.
eUI64	EUI64	Chosen when the PEI contains an EUI64.

8.3.7 Type: GPSI

The GPSI type is derived from the data present in the Generic Public Subscription Identifier type defined in TS 23.003 [19] clause 28.8.

Table 8.3.7-1 contains the details for the GPSI type.

Table 8.3.7-1: Definition of Choices for GPSI

CHOICE	Type	Description
mSISDN	MSISDN	Chosen when the GPSI type is MSISDN.
nAI	NAI	Chosen when the GPSI type is External Identifier.

8.3.8 Type: GUTI

The GUTI type is derived from the data present in the Globally Unique Temporary User Identity type defined in TS 23.003 [19] clause 2.8.

Table 8.3.8-1 contains the details for the GUTI type.

Table 8.3.8-1: Definition of GUTI type

Field name	Type	Cardinality	Description	M/C /O
mCC	MNC	1	The mobile country code identifying the country of the home network for the subscriber.	M
mNC	MNC	1	The mobile network code identifying the PLMN of the home network of the subscriber.	M
mMEGroupID	MMEGroupID	1	The identifier for the MME Group.	M
mMECode	MMECode	1	Identifies the MME that issued the GUTI.	M
mTMSI	TMSI	1	The temporary Identifier for the UE to uniquely identify it within the MME.	M

8.3.9 Type: FiveGGUTI

The FiveGGUTI type is derived from the data present in the 5G Globally Unique Temporary User Identity type defined in TS 23.003 [19] clause 2.10.

Table 8.3.9-1 contains the details for the FiveGGUTI type.

Table 8.3.9-1: Definition of FiveGGUTI type

Field name	Type	Cardinality	Description	M/C /O
mCC	MNC	1	The mobile country code identifying the country of the home network for the subscriber.	M
mNC	MNC	1	The mobile network code identifying the PLMN of the home network of the subscriber.	M
aMFRegionID	AMFRegionID	1	The identifier for the AMF Region.	M
aMFSetID	AMFSetID	1	Identifies the AMF Set the AMF belongs to.	M
aMFPointer	AMFPointer	1	Identifies the AMF.	M
fiveGTMSI	FiveGTMSI	1	The temporary Identifier for the UE to uniquely identify it within the AMF.	M

8.3.10 Type: EPS5GGUTI

The EPS5GGUTI type is used when a parameter may be either a GUTI or a 5G-GUTI.

Table 8.3.10-1 contains the details for the EPS5GGUTI type.

Table 8.3.10-1: Definition of Choices for EPS5GGUTI

CHOICE	Type	Description
gUTI	GUTI	Chosen when the field contains a GUTI.
fiveGGUTI	FiveGGUTI	Chosen when the field contains a 5G-GUTI.

8.3.11 Type: NonIMEISVPEI

The NonIMEISVPEI type is used when IMEI or IMEISV based PEI is not available.

Table 8.3.11-1 contains the details for the NonIMEISVPEI type.

Table 8.3.11-1: Definition of Choices for NonIMEISVPEI

CHOICE	Type	Description
mACAddress	MACAddress	Chosen when the field contains a GUTI.
eUI64	FiveGGUTI	Chosen when the field contains a 5G-GUTI.

8.4 Complex types

8.4.1 Type: HandoverCause

The HandoverCause type is derived from the Cause type defined in TS 38.413 [23] clause 9.3.1.2.

Table 8.4.1-1 contains the details for the HandoverCause type.

Table 8.3.4-1: Choices for HandoverCause type

CHOICE	Type	Description
radioNetwork	CauseRadioNetwork	Chosen when the cause indicated is one of the Radio Network Layer Causes.
transport	CauseTransport	Chosen when the cause indicated is one of the Transport Layer Causes.
nas	CauseNas	Chosen when the cause indicated is one of the NAS Causes.
protocol	CauseProtocol	Chosen when the cause indicated is one of the Protocol Causes.
misc	CauseMisc	Chosen when the cause indicated is one of the Miscellaneous Causes.

8.4.2 Type: EMM5GMMStatus

Indicates the registration status of the UE in both EPS and 5GS as known at the NF where the POI is located. This type is derived from the UE status IE defined in TS 24.501 [13] clause 9.11.3.56.

Table 8.4.2-1: Definition of type EMM5GMMStatus

Field name	Type	Cardinality	Description	M/C /O
eMMRegStatus	EMMREGStatus	0..1	Indicates the EPS registration status of the UE as known at the NF where the POI is located. Shall be present if the EPS registration status is known.	C
fiveGMMStatus	FiveGMMStatus	0..1	Indicates the 5GS registration status of the UE as known at the NF where the POI is located. Shall be present if the 5GS registration status is known.	C

8.4.3 Type: ForbiddenAreaInformation

Contains a list of TACs that are forbidden.

Table 8.4.3-1: Structure of the ForbiddenAreaInformation type

Field name	Type	Cardinality	Description	M/C /O
pLMNIdentity	PLMNID	1	Contains the PLMN for which the forbidden area information applies.	M
forbiddenTACs	ForbiddenTACs	1	Contains the list of forbidden TACs.	M

8.4.4 Type: ForbiddenLAINformation

Contains a list of LACs that are forbidden.

Table 8.4.4-1: Structure of the ForbiddenAreaInformation type

Field name	Type	Cardinality	Description	M/C /O
pLMNIdentity	PLMNID	1	Contains the PLMN for which the forbidden area information applies.	M
forbiddenLACs	ForbiddenLACs	1	Contains the list of forbidden LACs.	M

8.4.5 Type: RATRestrictionItem

Contains a list of RAT Restrictions.

Table 8.4.5-1: Structure of the RATRestrictionItem type

Field name	Type	Cardinality	Description	M/C /O
pLMNIdentity	PLMNID	1	Contains the PLMN for which the RAT restriction applies.	M
rATRestrictionInformation	RATRestrictionInformation	1	Contains RAT Restriction.	M

8.4.6 Type: LTEV2XServiceAuthorization

Table 8.4.6-1 contains the details for the LTEV2XServiceAuthorization type.

Table 8.4.6-1: Structure of the LTEV2XServiceAuthorization type

Field name	Type	Cardinality	Description	M/C /O
v2XVehicleUEAuthorizationIndicator	V2XUEAuthorizationIndicator	0..1	Indicates the UE is authorised to act as a V2X vehicle UE.	C
v2XPedestrianUEAuthorizationIndicator	V2XUEAuthorizationIndicator	0..1	Indicates the UE is authorised to act as a V2X pedestrian UE.	C

8.4.7 Type: NRV2XServiceAuthorization

Table 8.4.7-1 contains the details for the NRV2XServiceAuthorization type.

Table 8.4.7-1: Structure of the NRV2XServiceAuthorization type

Field name	Type	Cardinality	Description	M/C /O
v2XVehicleUEAuthorizationIndicator	V2XUEAuthorizationIndicator	0..1	Indicates the UE is authorised to act as a V2X vehicle UE.	C
v2XPedestrianUEAuthorizationIndicator	V2XUEAuthorizationIndicator	0..1	Indicates the UE is authorised to act as a V2X pedestrian UE.	C

8.4.8 Type: RRCEstablishmentCause

The RRCEstablishmentCause type is derived from the RRC Establishment Cause type defined in TS 38.413 [23] clause 9.3.1.111. and the RRC Establishment Cause type defined in TS 36.413 [38] clause 9.2.1.3a.

Table 8.4.8-1 contains the details for the RRCEstablishmentCause type.

Table 8.4.8-1: Choices for RRCEstablishmentCause type

CHOICE	Type	Description
ePCEstablishmentCause	EstablishmentCause	Chosen when the UE is connecting to EPC.
fiveGCEstablishmentCause	EstablishmentCause	Chosen when the UE is connecting to 5GC.

8.4.9 Type: ConnectedENGNB

Table 8.4.9-1 contains the details for the ConnectedENGNB type. Derived from the Connected en-gNB List type defined in TS 36.413 [38] clause 9.1.8.4.

Table 8.4.9-1: Structure of the ConnectedENGNB type

Field name	Type	Cardinality	Description	M/C/O
eGNBID	GNbID	1	The gNBID of the connected en-gNB.	M
supportedTAList	TACList	1	A list of TACs supported by the connected en-gNB.	M
broadcastPLMN	PLMNList	1	A list of the PLMNs broadcast by the connected en-gNB.	M

8.4.10 Type: PLMNSupportItem

Contains a PLMN and possibly a NID along with an onboarding support indication.

Table 8.4.10-1: Structure of the PLMNSupportItem type

Field name	Type	Cardinality	Description	M/C/O
pPLMNIdentity	PLMNID	1	Contains the identity of the PLMN being described.	M
nPNSupport	NID	0..1	Contains the NID. Shall be present if the context being reported is for an NPN.	C
onBoardingSupport	BOOLEAN	0..1	Indicates whether the PLMN supports onboarding.	C

8.5 Enumerations

8.5.1 Enumeration: EMMRegStatus

The EMMRegStatus type is derived from the EMM registration status portion of the UE status IE defined in TS 24.501 [13] clause 9.11.3.56.

Table 8.5.1-1 contains the details for the EMMRegStatus type.

Table 8.5.1-1: Enumeration for the EMMRegStatus type

Enumeration	Description
uEEMMRegistered(1)	UE is in EMM-REGISTERED state
uENotEMMRegistered(2)	UE is not in EMM-REGISTERED state

8.5.2 Enumeration: FiveGMMRegStatus

The FiveGMMRegStatus type is derived from the 5GMM registration status portion of the UE status IE defined in TS 24.501 [13] clause 9.11.3.56.

Table 8.5.2-1 contains the details for the FiveGMMRegStatus type.

Table 8.5.2-1: Enumeration for the FiveGMMRegStatus type

Enumeration	Description
uE5GMMRegistered(1)	UE is in 5GMM-REGISTERED state
uENot5GMMRegistered(2)	UE is not in 5GMM-REGISTERED state

8.5.3 Enumeration: SMSOverNASIndicator

The SMSOverNASIndicator type is derived from the SMS over NAS transport allowed portion of the 5GS registration result IE defined in TS 24.501 [13] clause 9.11.3.6.1.

Table 8.5.3-1 contains the details for the SMSOverNASIndicator type.

Table 8.5.3-1: Enumeration for the SMSOverNASIndicator type

Enumeration	Description
sMSOverNASNotAllowed(1)	SMS over NAS not allowed
sMSOverNASAllowed(2)	SMS over NAS allowed

8.5.4 Enumeration: CSGMembershipIndication

The CSGMembershipIndication indicates whether the user is a member of a CSG.

Table 8.5.4-1 contains the details for the CSGMembershipIndication type.

Table 8.5.4-1: Enumeration for the CSGMembershipIndication type

Enumeration	Description
notCSGMember(1)	The user is not a member of the indicated CSG.
cSGMember(2)	The user is a member of the indicated CSG.

8.5.5 Enumeration: EPSAttachType

The EPSAttachType provides information on the attach type used by the UE. Derived from the enumerations in TS 24.301 [51] clause 9.9.3.11.

Table 8.5.5-1 contains the details of the EPSAttachType type.

Table 8.5.5-1: Enumeration for EPSAttachType

Enumeration value	Description
ePSAttach(1)	The attach type is an EPS attach.
combinedEPSIMSIAttach(2)	The attach type is a combined EPS/IMSI attach.
ePSRLOSAttach(3)	The attach type is an EPS RLOS attach.
ePSEmergencyAttach(4)	The attach type is an EPS Emergency attach.
reserved(5)	The attach type is unknown or using a reserved type.

8.5.6 Enumeration: EPSAttachResult

The EPSAttachResult provides information on the attach type used by the UE. Derived from the enumerations in TS 24.301 [51] clause 9.9.3.10.

Table 8.5.6-1 contains the details of the EPSAttachResult type.

Table 8.5.6-1: Enumeration for EPSAttachResult

Enumeration value	Description
ePSOnly(1)	The attach type is an EPS attach.
combinedEPSIMSI(2)	The attach type is a combined EPS/IMSI attach.

8.5.7 Enumeration: EPSSMSServiceStatus

The EPSSMSServiceStatus provides information on status of SMS Services. Derived from the enumerations in TS 24.301 [51] clause 9.9.3.4B.

Table 8.5.7-1 contains the details of the EPSSMSServiceStatus type.

Table 8.5.7-1: Enumeration for EPSSMSServiceStatus

Enumeration value	Description
sMSServicesNotAvailable(1)	SMS Services are not available.
sMSServicesNotAvailableInThisPLMN(2)	SMS Services not available for this UE in this PLMN.
networkFailure(3)	SMS Services unavailable due to Network failure.
Congestion(4)	SMS Services unavailable due to congestion.

8.5.8 Enumeration: EstablishmentCause

The EstablishmentCause provides information on reason RRC was established. Derived from the RRC Establishment Cause type defined in TS 38.413 [23] clause 9.3.1.111. and the RRC Establishment Cause type defined in TS 36.413 [38] clause 9.2.1.3a.

Table 8.5.8-1 contains the details of the EstablishmentCause type.

Table 8.5.8-1: Enumeration for EstablishmentCause

Enumeration value	Description
emergency(1)	Connection established Emergency connection.
highPriorityAccess(2)	Connection established for a High priority access connection.
mtAccess(3)	Connection established as a result of a page.
moSignalling(4)	Connection established for mobile originated signalling.
moData(5)	Connection established for mobile originated data.
moVoiceCall(6)	Connection established for mobile originated voice call.
moVideoCall(7)	Connection established for mobile originated video call.
moSMS(8)	Connection established for mobile originated SMS.
mpsPriorityAccess(9)	Connection established for MPS Priority Access.
mcsPriorityAccess(10)	Connection established for MCS Priority Access.
notAvailable(11)	Not available.
exceptionData(12)	Exception Data.

8.5.9 Enumeration: TraceRecordType

The TraceRecordType provides information on the type of Trace record being reported.

Table 8.5.9-1 contains the details of the TraceRecordType type.

Table 8.5.9-1: Enumeration for TraceRecordType

Enumeration value	Description
traceStart(1)	The message being reported is a Trace Start message.
cellTrafficTrace(2)	The message being reported is a Cell Traffic Trace message.
traceDataDelivery(3)	The message being reported is trace data being delivered to the trace collection entity.
traceDeactivation(4)	The message being reported is a Deactivate Trace message.

8.5.10 Enumeration: TraceDirection

The TraceDirection provides information on the direction of the trace information being reported.

Table 8.5.10-1 contains the details of the TraceDirection type.

Table 8.5.10-1: Enumeration for TraceDirection

Enumeration value	Description
toAMF(1)	Shall be chosen when the message being reported is to the AMF.
fromAMF(2)	Shall be chosen when the message being reported is from the AMF.
toMME(3)	Shall be chosen when the message being reported is to the MME.
fromMME(4)	Shall be chosen when the message being reported is from the MME.

Annex A (normative): ASN.1 Schema for the Internal and External Interfaces

The ASN.1 module describing the structures used for LI_X2, LI_X3, LI_HI2 and LI_HI3 ("TS33128Payloads") is given in the file *TS33128Payloads.asn* which accompanies the present document.

Annex B (normative): LI Notification

Based on clause 5.6 of the present document, this annex defines a system of management notification of LI system with the LI_HI4 interface.

The LI_HI4 interface shall be used to transport specific LI service O&M information (referred to as LI Notification) from the CSP to the LEMF. The individual parameters of the LI Notification message shall be coded using ASN.1 and the basic encoding rules (BER). The delivery of LI Notification shall be performed directly using the same mechanism as used for delivery of IRI messages over LI_HI2 and CC over LI_HI3.

The LI Notification shall be used to send electronic notification to the LEMF in the following cases:

- 1) after the activation of lawful interception;
- 2) after the deactivation of lawful interception;
- 3) after the modification of an active lawful interception.

Table B.1-1: LInotification message

Field name	Description	M/C/O
notificationType	Information on the type of notification: activation, deactivation or modification	M
deliveryInformation	Delivery Information which has been decided by the LEA in terms of delivery numbers, IP addresses for LI_HI2 and LI_HI3	O
appliedTargetID	Target Identifier applied in the ADMF for the warrant	O
appliedStartTime	Start time applied to the ADMF for the warrant	C
appliedEndTime	End time applied to the ADMF for the warrant	C
appliedTargetsLocal	Set to TRUE if the type of target is known to be local, absent otherwise (i.e. unknown)	C
appliedTargetsNonLocal	Set to TRUE if the type of target is known to be non-local, absent otherwise (i.e. unknown)	C

Conditional parameters shall be set as follows:

LI Activation Notification		
Field name	Description	M/C/O
notificationType	Activation	M
appliedStartTime	Always present and represents: The Start Date/Time in the warrant or, The Date/Time of the CSP activation in the ADMF or, The scheduled future Start Date/Time.	C
appliedEndTime	<u>Absence means</u> the interception has been activated with no predefined End Date/Time. <u>Presence means</u> the End time is scheduled to be applied at that (future) time.	C

LI Modification Notification		
Field name	Description	M/C/O
notificationType	Modification	M
appliedStartTime	Present and provides the new Start Date/Time if modified by the LI Modification command	C
appliedEndTime	Present and provides the new End Date/Time if modified by the LI Modification command	C

LI Deactivation Notification		
Field name	Description	M/C/O
notificationType	Deactivation	M
appliedStartTime	Absent	C
appliedEndTime	Present and provides the actual End Date/Time, e.g. timed stop as per initial warrant or as per new warrant, or as pre-emptive audited stop from the LEA, or major LI failure.	C

The individual notifications parameters shall be sent to the LEMF as soon as possible with the lowest latency at least once (if available).

The MDF2/MDF3 will deliver the LInotification message to LEMF.

Annex C (normative): XSD Schema for LI_X1 extensions

The XSD schema describing the extensions used for LI_X1 is given in the file *urn_3GPP_ns_li_3GPPX1Extensions.xsd* which accompanies the present document.

Annex D (informative): Drafting Guidance

D.1 Introduction

This annex provides drafting guidance for contributors wishing to propose changes to the present document.

D.2 Drafting conventions

Drafting conventions are described in table D.2-1.

Table D.2-1: Drafting conventions

ID	Description
D.2.1	The details for each field, including a complete description of the usage, format, cardinality, and conditionality of that field, are given in the prose in the main body of the document. When a table is used in the main body of the document to describe complex type (including CHOICE, SEQUENCE, or SET), the row order in the table matches the ASN.1 tag order.
D.2.2	The field names used in the main body of the document match those used in the ASN.1.
D.2.3	ASN.1 comments are not used, except to indicate: <ol style="list-style-type: none"> 1. Where to find a description of the field or structure in the main body of the specification. Be aware that XIRIEvent and IRIEvent fields are usually described in separate clauses. 2. When a tag is reserved for a purpose in an equivalent structure (see D.4.15) or a different Release, to avoid a potential tag conflict in the future. 3. Where fields in XIRIEvent and IRIEvent for a given NF are continued from a previous disjoint tag number. 4. When a field is deprecated (see D.2.5 and D.4.14). ASN.1 comments are defined before an item, not after.
D.2.4	If a field is made conditional, the condition for its presence or absence is specified.
D.2.5	When any field is deprecated, the table of main text is modified. The "Field" column is renamed to "deprecated{PreviousName}" (where {PreviousName} is previous name of the field with the first character in upper-case). The "Description" column is changed into "No longer used in present version of this specification". When a mandatory field is deprecated, the "Description" column is also changed to specify a placeholder value. The value of the "Cardinality" column (if present) is not changed. The value of the "M/C/O" column is not changed. When an optional field is deprecated, the value of "Cardinality" column (if present) is changed to "0". The value of the "M/C/O" column is not changed. When a conditional field is deprecated, the value of "Cardinality" column (if present) is changed to "0". The value of the "M/C/O" column is set to "O". When a field is deprecated, the ASN.1 field is renamed to deprecated{PreviousName} (see D.4.14). A comment is added before indicating the ASN.1 release and version that deprecated the field (see D.2.3). For example "deprecated{PreviousName} was deprecated in r18(18) version5(5)".
D.2.6	When describing a field, where possible any references contain an explicit clause or section.
D.2.7	OCTET STRING fields encoding information elements that contain a leading type and length in their definition omit the type and length octets, and the table row of main text for the field contains "omitting the first <i>N</i> octets" to indicate this.
D.2.8	If a new required field is added to an existing SEQUENCE or SET, and the ASN.1 is OPTIONAL for backwards compatibility (see D.4.13), the table row of main text for the field contains "C" in the "M/C/O" column, and the "Description" column contains "Shall be provided." (or a more specific statement), and "This parameter is conditional only for backwards compatibility."

D.3 Naming conventions

ASN.1 naming conventions are described in table D.3-1, and examples of naming conventions to avoid are shown in figure 1.

Table D.3-1: Naming conventions

ID	Convention
D.3.1	To meet ASN.1 syntax rules, the first character of each ASN.1 field name are lower-cased.
D.3.2	To meet ASN.1 syntax rules, the first character of an ASN.1 type name are upper-cased.
D.3.3	To meet ASN.1 syntax rules, the first character of a field or a type name is not a number.
D.3.4	Only the character ranges A-Z, a-z and 0-9 are used in names.
D.3.5	Names are CamelCased, where the first character of each word is upper-cased (except for the first character of the name – see rule D.3.1).
D.3.6	Any acronyms in a name are entirely upper-cased (except for the first character of the name – see rule D.3.1).

```

ExampleBadStructure ::= SEQUENCE
{
  FirstField      [1] FirstFieldType,      -- D.3.1 First letter of field is upper case
  secondField    [2] secondFieldType,     -- D.3.2 First letter of type is lower case
  3rdField       [3] 3rdFieldType,        -- D.3.3 Names starts with digit
  fourth-field   [4] Fourth_Field_Type,   -- D.3.4 Names include hyphen and underscore
  fifthfield     [5] Fifthfieldtype,      -- D.3.5 Names are not camelCased
  msisdn         [6] MSISDN,              -- D.3.6 Acronyms in field name not wholly upper-cased
  mSISDN        [7] Msisdn               -- D.3.6 Acronyms in type name not wholly upper-cased
}

```

Figure 1 – Naming convention counter-examples

D.4 ASN.1 Syntax conventions

ASN.1 syntax conventions are described in table D.4-1, examples of conformant ASN.1 syntax conventions are shown in figure 2, and examples of ASN.1 syntax conventions to avoid are shown in figure 3.

Table D.4-1: ASN.1 Syntax conventions

ID	Convention
D.4.1	Modules are be defined with EXTENSIBILITY IMPLIED unless there is a specific reason to limit extensibility.
D.4.2	The AUTOMATIC TAGS module directive is not used.
D.4.3	SEQUENCE and CHOICE tag numbers start at one, and are allocated sequentially, except when tags are reserved for an equivalent structure (see D.2.3 and D.4.15).
D.4.4	ENUMERATED tag numbers start at one, and are allocated sequentially.
D.4.5	Anonymous types are not used. Non-trivial fields are assigned their own named type.
D.4.6	Consideration is given to making types re-usable and independent of a particular release. Re-using or extending an existing type, where the intent is similar, is preferable to creating a new type.
D.4.7	Consideration is given to making types extensible by declaring them as a SEQUENCE or CHOICE where possible.
D.4.8	Multiple smaller messages or structures with fewer OPTIONAL fields are preferred to larger structures with many OPTIONAL fields, as this increases the ability of the ASN.1 schema to enforce the intent of the specification.
D.4.9	Field names, tag numbers, field types and optional flags are be space-aligned where possible. An indent of four spaces is used.
D.4.10	(Void).
D.4.11	Braces are given their own line.
D.4.12	OIDs containing a version number are updated when the structure that uses the OID is changed, even if the change is solely to correct a syntactic error. Other OIDs in the same module need not be updated if they are not associated with structures that have been changed.
D.4.13	For backward compatibility, fields added to existing SEQUENCE or SET are defined as OPTIONAL, irrespective of their M/C/O designation in the main body of the specification.
D.4.14	When a field is deprecated, the ASN.1 field is renamed to deprecated{PreviousName} as per the main text (see D.2.5).
D.4.15	XIRIEvent and IRIEvent field names are identical for the same field purpose and tag numbers are identical for the same field purpose. If the field is not present in one of XIRIEvent or IRIEvent, a comment reserving the tag is added instead (see D.2.3).

```

ConformantModule
{itu-t(0) identified-organization(4) etsi(0) securityDomain(2) lawfulIntercept(2) ... }

DEFINITIONS IMPLICIT TAGS EXTENSIBILITY IMPLIED ::=

BEGIN

Structure1 ::= SEQUENCE
{
    field1 [1] Field1,
    field2 [2] Field2
}

Field1 ::= ENUMERATED
{
    choice1(1),
    choice2(2),
    choice3(3)
}

Field2 ::= OCTET STRING

END

```

Figure 2 – Syntax convention examples

```

NonconformantModule
{itu-t(0) identified-organization(4) etsi(0) securityDomain(2) lawfulIntercept(2) ... }

DEFINITIONS AUTOMATIC TAGS ::= -- D.4.1 Not declared with EXTENSIBILITY IMPLIED
                                -- D.4.2 Declared AUTOMATIC TAGS

BEGIN

Structure1 ::= SEQUENCE { -- D.4.11 Braces not given their own line
    field1 [0] ::= ENUMERATED -- D.4.3 SEQUENCE tags don't start at 1
    { -- D.4.5 Anonymous type used

```

```
choice1(0),           -- D.4.4 ENUMERATED tag numbers don't start at 1
choice2(2),
choice3(3)
},
field2 [2] Field2
}
Field2 ::= OCTET STRING
END
```

Figure 3 – Syntax convention counter-examples

D.5 Referencing ASN.1 components

This document utilizes the formal reference notation defined by ITU-T Recommendation X.680 [124] clause 15 to identify specific ASN.1 components. The specific conventions described below only apply to this document. In the event of a conflict between ITU-T Recommendation X.680 [124] and the present document, the terms of the present document shall apply.

ASN.1 references are *italicized* to aid in their identification.

Relative references may be used but shall only be used when the root of the path is either explicitly defined or may be definitively determined based on the context.

Unless otherwise specified, the root of all references in this document is *@TS33128Payloads*.

Unless otherwise specified the absolute reference for an xIRI record shall be *@TS33128Payloads.XIRIPayload.event.{ComponentID}* where the {ComponentID} is the name of the message. When a parameter or type being described is being described in the context of an xIRI message, the absolute reference described above shall be used as the root for any relative references.

Unless otherwise specified the absolute reference for an IRI record shall be *@TS33128Payloads.IRIPayload.event.{ComponentID}* where the {ComponentID} is the name of the message. When a parameter or type being described is being described in the context of an IRI message, the absolute reference described above shall be used as the root for any relative references.

Annex E (normative): XSD Schema for Identity Association

The XSD schema describing the extensions used for Identity Association is given in the file *urn_3GPP_ns_li_3GPPIdentityExtensions.xsd* which accompanies the present document.

Annex F (normative): ASN.1 Schema for LI_XER messages

The ASN.1 schema describing the structures used for LI_XER is given in the file *TS33128IdentityAssociation.asn* which accompanies the present document.

Annex G (informative): Void

Annex H (normative): XSD Schema for State Transfers

The XSD schema describing the structures used for state transfer is given in the file *urn_3GPP_ns_li_3GPPStateTransfer.xsd* which accompanies the present document.

Annex I (normative): XSD Schema for Location Acquisition

The XSD schema describing the structures used for Location Acquisition query extensions is given in the file *urn_3GPP_ns_li_3GPPXLAExtensions.xsd* which accompanies the present document.

Annex L (normative): XSD Schema for LI Queries

The XSD schema describing the structures used for LI queries is given in the file [urn:3GPP:ns:li:3GPPLIQueryExtensions.xsd](#) which accompanies the present document.

Annex M (normative): Reuse of externally defined structures

M.1 Encapsulated Information

M.1.1 General

The subclauses below define LI structures to allow for the reuse of externally defined structures and schemas.

The current version of this specification the following specific encapsulated information types are defined:

- SBIDType for carrying messages or parameters defined by 3GPP for use over the Service Based Interfaces (SBIs).
- XMLTypes for carrying messages or parameters in XML.
- MIMEEntity for carrying MIME Entities.
- MSRPMessage for sending information formatted in an MSRP Message.
- ExternalASNType for sending information encoded using an externally defined ASN.1 schema.

The encapsulated information type of the outermost layer of the encapsulated payload shall be used to report the payload.

M.1.2 Encapsulated information reporting parameters

M.1.2.1 Simple Types for encapsulate information reporting

Table M.1.2.1-1: Simple Types for LI reporting of encapsulated information

Type name	Type definition	Description
EncapsulatedMSRP	UTF8String	Shall contain the entire MSRP Message in the original encoding.
SBIReference	UTF8String	JSON pointer that indicates the schema definition for the reported SBIValue. Shall be sent in the form of a JSON string value (see RFC 6901 [117] clause 5). When using the SBIDType as a parameter within a record, the value of the SBI Reference shall be clearly indicated in the associated description field of the table describing the record.
SBIValue	UTF8String	Shall contain the entire value of the SBI Message or parameter being reported.
XMLNamespace	UTF8String	XML namespace that indicates the schema definition for the reported XMLValue. When using the XMLType as a parameter within a record, the value of the XML namespace shall be clearly indicated if known in the associated description field of the table describing the record.
XMLValue	UTF8String	The contents of the XML document being reported. Shall be sent as an XML document that matches the schema indicated by the xMLNamespace.
EncapsulatedMIMEEntity	UTF8String	Shall contain the entire MIME entity (see RFC 2045 [114] clause 2.4) in the original encoding.
MIMEContentType	UTF8String	Shall contain the MIME Content Type of the entity being described.
ExternalASNReference	UTF8String	The formal reference notation (as described in clause D.5) for the ASN.1 component used to encode the parameter or message reported in the EncodedASNValue.

M.1.2.2 Type: SBIDType

Table M.1.2.2-1: Structure of the SBIDType type

Field name	Type	Cardinality	Description	M/C/O
sBIReference	SBIDReference	1	JSON pointer that indicates the schema definition for the reported SBIDValue. Shall be sent in the form of a JSON string value (see RFC 6901 [117] clause 5). When using the SBIDType as a parameter within a record, the value of the SBI Reference shall be clearly indicated in the associated description field of the table describing the record.	M
sBIValue	SBIDValue	1	The contents of the SBI message or parameter being reported. Shall be sent as a JSON document that matches the schema indicated by the sBIReference.	M

M.1.2.3 Type: XMLType

Table M.1.2.3-1: Structure of the XMLType type

Field name	Type	Cardinality	Description	M/C/O
xmlNamespace	XMLNamespace	1	XML namespace that indicates the schema definition for the reported XMLValue. When using the XMLType as a parameter within a record, the value of the XML namespace shall be clearly indicated if known in the associated description field of the table describing the record. When there is no XML namespace defined for the document, this parameter shall be populated with a string that unambiguously identifies the schema or a document describing the XML structure.	M
xmlValue	XMLValue	1	The contents of the XML document being reported. Shall be sent as an XML document that matches the schema indicated by the xmlNamespace.	M

M.1.2.4 Type: MIMEEntity

Table M.1.2.4-1: Structure of the MIMEEntity type

Field name	Type	Cardinality	Description	M/C/O
contentType	MIMEContentType	1	Indicates the MIME content type of the Entity.	M
encapsulatedMIMEEntity	EncapsulatedMIMEEntity	1	The contents of the MIME Entity.	M

M.1.2.5 Type: MSRPMessage

Table M.1.2.5-1: Structure of the MSRPMessage type

Field name	Type	Cardinality	Description	M/C/O
encapsulatedMSRP	EncapsulatedMSRP	1	The contents of the MSRP Message.	M

M.1.2.6 Type: MIMEPartIdentifier

Table M.1.2.6-1: Structure of the MIMEPartIdentifier type

Field name	Type	Cardinality	Description	M/C/O
index	INTEGER	1	Indicates a MIME Body Part of a multipart MIME Message. When referring to the MIME Body Parts, the index starts at one.	M

M.1.2.7 Type: ExternalASNType

Table M.1.2.7-1: Structure of the ExternalASNType type

Field name	Type	Cardinality	Description	M/C/O
moduleIdentifier	OBJECT IDENTIFIER	1	Shall be populated with the Object Identifier of the ASN.1 module used to encode the parameter or message reported in the EncodedASNValue.	M
aSNReference	ExternalASN Reference	0..1	The formal reference notation (as described in clause D.5) for the ASN.1 component used to encode the parameter or message reported in the EncodedASNValue. Shall be present if the OBJECT IDENTIFIER is insufficient to unambiguously decode the EncodedASNValue.	C
encodedASNValue	ExternalASN Value	1	The contents of the encoded message or parameter being reported.	M

M.1.2.8 Type: ExternalASNValue

Table M.1.2.8-1: Choices for the ExternalASNValue type

Field name	Type	Description
bER	OCTET STRING	Shall be used if the reported value is a BER, CER or DER encoded ASN.1 value. Shall be populated with the entire encoded payload.
alignedPER	OCTET STRING	Shall be used if the reported value is an aligned PER encoded ASN.1 value. Shall be populated with the entire encoded payload.

M.2 Encapsulated information modification

M.2.1 General

When encapsulated information needs to be modified, the following structures may be used to report that payload in IRI messages.

In general, the predefined redactions listed in the PredefinedPayloadModification table below should be used whenever possible. In cases where none of the predefined modifications describe the required redactions, the PayloadModificationDescription may be used.

When an encapsulated payload is modified to redact unauthorised information each type of modification applied shall be reported in the PayloadModifications parameter. If the same type of modification is performed in multiple locations, this PayloadModification shall only be indicated once. Additionally, the indication of a PayloadModification indicates that all instances that match the conditions for that modification profile were modified.

M.2.2 Predefined modifications

The current document provides details for the following predefined methods for redacting unauthorised information from encapsulated payloads:

- SMS TP-User-Data content redaction as described in clause 7.12.9.3.2.
- IMS location and content information redaction as described in clause 7.12.9.
- RCS location and content information redaction as described in clause 7.13.5.

M.2.3 Use of described modifications

Each modification is described using a ModificationLocation (see clause M.2.4.6) and a ModificationType (see clause M.2.4.7).

M.2.4 Encapsulated information modification parameters

M.2.4.1 Simple Types for encapsulated information modification

Table M.2.4.1-1: Simple Types for LI reporting of encapsulated information with modifications

Type name	Type definition	Description
ABNFRuleLocation	UTF8String	The ABNF rule name defining the syntax of the portion of the payload that was modified.

M.2.4.2 Type: PayloadModifications

Table M.2.4.2-1: Structure of the PayloadModifications type

Field name	Type	Cardinality	Description	M/C/O
modificationList	SEQUENCE OF PayloadModification	1..MAX	Contains a list of modifications performed on the payload being reported.	M

M.2.4.3 Type: PayloadModification

Table M.2.4.3-1: Choices for the PayloadModification type

Field name	Type	Description
predefinedModification	PredefinedPayloadModification	Shall be chosen if one of the predefined payload modification profiles was applied to the reported payload.
describedModification	PayloadModificationDescription	Shall be chosen if the modification used is described using the PayloadModificationDescription below.

M.2.4.4 Enumeration: PredefinedPayloadModification

The PredefinedPayloadModification shall be set to indicate which predefined payload modification profile was used on the reported modified payload.

Table M.2.4.4-1: Enumeration for PredefinedPayloadModification parameter

Enumeration	Description
pANILocationRemoval(1)	Shall be selected if location information was redacted from an encapsulated P-Access-Network-Info header using the process described in clause 7.12.9.2.2.
cNILocationRemoval(2)	Shall be selected if location information was redacted from an encapsulated Cellular-Network-Info header using the process described in clause 7.12.9.2.3.
sIPGeolocationInfoRemoval(3)	Shall be selected if location information was redacted due to the presence of a Geolocation header using the process described in clause 7.12.9.2.4.
presenceInformationLocationRemoval(4)	Shall be selected if location information was redacted from the geopriv element of an encapsulated presence information document using the process described in clause 7.12.9.2.5.
tS33128SMSTPDURedaction(5)	Shall be selected if content is redacted from an encapsulated SMS TPDU using the process described in clause 7.4.5.2.
tS33128TruncatedSMSTPDU(6)	Shall be selected if content is removed from an encapsulated SMS TPDU using the process described in clause 6.2.5.3.
iMSTextContentRemoval(7)	Shall be selected if content is redacted from an encapsulated SIP message using the process described in clause 7.12.9.3.3.
iMSSubjectContentRemoval(8)	Shall be selected if content is redacted from an encapsulated SIP message using the process described in clause 7.12.9.3.4.
rCSPresenceLocationRemoval(9)	Shall be selected if location is redacted from the geopriv element of an encapsulated presence information document using the process described in clause 7.13.5.2.2.
rCSCPIMLocationRemoval(10)	Shall be selected if location in the form of a P-Access-Network-Info header is redacted from application specific CPIM headers using the process described in clause 7.13.5.2.3.
rCSTextContentRemoval(11)	Shall be selected if text content is removed from the an RCS message.
rCSSubjectContentRemoval(12)	Shall be selected if content is removed from the Subject header of a layer of an RCS Message using the process described in clause 7.13.5.3.3.
rCSGeolocationPUSHContentRemoval(13)	Shall be selected if content is removed from an RCS Geolocation PUSH message using the process described in clause 7.13.5.3.4.
rCSFileTransferURLRemoval(14)	Shall be selected if URL content is redacted from an RCS File Transfer message as described in clause 7.13.5.3.5.

M.2.4.5 Type: PayloadModificationDescription

The PayloadModificationDescription shall be used to describe redactions performed on a payload.

Table M.2.4.5-1: Structure of the PayloadModificationDescription type

Field name	Type	Cardinality	Description	M/C/O
modificationLocation	ModificationLocation	1	Contains criteria used to identify where the information redacted from the encapsulated payload was located within the payload.	M
modificationType	ModificationType	1	Contains details on the method used to redact the information from the encapsulated payload.	M

M.2.4.6 Type: ModificationLocation

Table M.2.4.6-1: Choices for ModificationLocation Type

Choice name	Type	Description
jsonPointer	UTF8String	JSON pointer that indicates location of the modified information within a JSON Document. Shall be sent in the form of a JSON string value (see RFC 6901 [117] clause 5).
xPath	UTF8String	XPath indicating the node or nodes within an XML document that were modified. Shall be sent in the form of a XPath string value (see W3C Recommendation: "XML Path Language (XPath)" [119]).
sipHeader	UTF8String	Indicates the header field-name (see RFC 3261 [118] clause 7.3.1) of the SIP Header field that was modified.
sipBody	NULL	Indicates the body of the SIP message was modified.
mimeTypeHeader	UTF8String	Indicates the header field-name (see RFC 2045 [110] clause 3 and RFC 5322 [115] clause 3.6) of the MIMEHeader that was modified.
mimeTypeBody	MIMEBody	Indicated that the body of the MIME Message was modified.
utf8Location	IndexRange	Indicates that the portion of a UTF8String identified by the IndexRange was modified.
octetLocation	IndexRange	Indicates that the portion of the OCTET STRING identified by the IndexRange was modified.
abnfRule	ABNFRuleLocation	Indicates the ABNF rule name of the rule that was modified.

M.2.4.7 Type: ModificationType

Table M.2.4.7-1: Choices for ModificationType Type

Choice name	Type	Description
removed	PayloadInformationRemoved	Indicates that modification being described was the removal of information from the modifiedPayload.
replacedWithCharacters	PayloadInformationReplacedWithCharacters	Indicates that the information was replaced with characters.
replacedWithOctets	OCTET STRING	Indicates that the information was replaced with octets. Shall contain the value of the octets used to replace the information. If the length of the information being replaced is longer than the OCTET STRING included in this parameter, the value included in this parameter is repeated until the full length of the information being replaced is filled.
replacedWithBits	BIT STRING	Indicates that the information was replaced with bits. Shall contain the value of the bits used to replace the information. If the length of the information being replaced is longer than the BIT STRING included in this parameter, the value included in this parameter is repeated until the full length of the information being replaced is filled.

M.2.4.8 Type: PayloadInformationReplacedWithCharacters

Table M.2.4.8-1: Structure of the PayloadInformationReplacedWithCharacters type

Field name	Type	Cardinality	Description	M/C/O
characters	UTF8String	1	Shall contain the characters used to replace the information. If the length of the information being replaced is longer than the string included in this parameter, the value included in this parameter is repeated until the full length of the information being replaced is filled. The replacement shall be done using the encoding.	M

M.2.4.9 Type: PayloadInformationRemoved

Table M.2.4.9-1: Choices for PayloadInformationRemoved Type

Choice name	Type	Description
charactersRemoved	INTEGER	Indicates the number of characters removed from the modifiedPayload as a part of the described modification.
octetsRemoved	INTEGER	Indicates the number of octets removed from this portion of the modifiedPayload as a part of the described modification.
bitsRemoved	INTEGER	Indicates the number of bits removed from this portion of the modifiedPayload as a part of the described modification. This choice shall only be used if the information removed cannot be measured in octets.

M.2.4.10 Type: MIMEBody

Table M.2.4.10-1: Choices for MIMEBody Type

Choice name	Type	Description
fullBody	NULL	Indicates that the entire body of the MIME Entity was modified or that the MIME Entity had only one body part.
bodyPart	MIMEPartIdentifier	Indicates which part of a multipart message was modified by the described modification.

M.2.4.11 Type: IndexRange

Table M.2.4.11-1: Structure of the IndexRange type

Field name	Type	Cardinality	Description	M/C/O
start	INTEGER	1	Indicates the location where the modification starts. The first octet, character, or bit of the portion of the message that is being modified is referred to as 1.	M
end	INTEGER	1	Indicates the location where the modification ends. The first octet, character, or bit of the portion of the message that is being modified is referred to as 1.	M

Annex N (normative): Application to proprietary implementations

N.1 General

This annex describes how the present document may be used to support LI for 3GPP defined networks and services that use proprietary implementations.

N.2 Implementation with proprietary network layers

This specification may be used to realize the Stage 3 details for LI for implementations using proprietary network layers for 3GPP defined networks and services with the following changes:

- The LI functions shall be implemented such that any events described in TS 33.127 [5] applicable to the network are reportable.
- If the functionality of any of the network functions specified in the present document is replaced by another network function, the LI events reportable by the specified network function shall be reportable by LI functions in the replacement function.
- If the network utilizes interfaces or protocols other than those described in the present document to realize the network functionality, alternative triggers shall be used such that the events listed for that network functionality in TS 33.127 [5] are reported.

N.3 Implementation with proprietary service layers

This specification may be used to realize the Stage 3 details for LI for implementations using proprietary service layers to realize 3GPP defined services with the following changes:

- The LI functions shall be implemented such that any events described in TS 33.127[5] applicable to that service are reportable.
- If the functionality of any of the network elements specified in the present document is replaced by another network element, the LI events reportable by the specified network element shall be reportable by LI functions in the replacement element.
- If the network utilizes interfaces or protocols other than those described in the present document to realize the service, alternative triggers shall be used such that the events listed for that network functionality in TS 33.127[5] are reported.

Annex Z (informative): Change history

Change history							
Date	Meeting	TDoc	CR	Rev	Cat	Subject/Comment	New version
2019-03	SA#83	SP-190044				Release 15 draft Approved at TSG SA#83	15.0.0
2019-06	SA#84	SP-190343	0004	1	F	Missing trigger for the start of interception with established PDU session	15.1.0
2019-06	SA#84	SP-190343	0006	1	F	Missing Stage 3 text - Start of Interception with registered UE from MDF2	15.1.0
2019-06	SA#84	SP-190343	0007	1	F	Missing stage 3 text - Start of Interception with established PDU session from MDF2	15.1.0
2019-06	SA#84	SP-190343	0008	1	F	Typos	15.1.0
2019-06	SA#84	SP-190343	0009	-	F	Additional identifiers to support UPF LI_T2/3	15.1.0
2019-06	SA#84	SP-190343	0010	1	F	In-bound roaming interception at anchor UPFs	15.1.0
2019-06	SA#84	SP-190343	0013	1	F	Roaming toggle correction	15.1.0
2019-06	SA#84	SP-190343	0014	1	F	Anchor UPF interception clarification	15.1.0
2019-06	SA#84	SP-190343	0015	1	F	Branching UPF interception correction	15.1.0
2019-06	SA#84	SP-190343	0019	-	F	ASN.1 Editorial Changes for the drafting rules compliance	15.1.0
2019-06	SA#84	SP-190343	0020	-	F	Clarifications on the Location information derivation and delivery	15.1.0
2019-06	SA#84	SP-190345	0021	-	F	Corrections on LI_T3 triggering	15.1.0
2019-06	SA#84	SP-190345	0022	2	F	Handling of error scenarios in LI_T2 and LI_T3 procedures	15.1.0
2019-06	SA#84	SP-190345	0023	2	B	Secondary Cell Group cells reporting	15.1.0
2019-09	SA#85	SP-190634	0029	1	F	Rapporteur fixes with consistency checking	15.2.0
2019-09	SA#85	SP-190634	0030	1	F	Errors in the clauses of Cell Site Report	15.2.0
2019-09	SA#85	SP-190634	0033	1	F	LI activation at the CC-POI after previous failure	15.2.0
2019-09	SA#85	SP-190634	0046	-	F	Start of interception - Reporting SUCI	15.2.0
2019-09	SA#85	SP-190635	0036	1	F	AMF Registration Update	16.0.0
2019-09	SA#85	SP-190635	0037	1	F	AMF Deregistration Update	16.0.0
2019-09	SA#85	SP-190635	0038	-	F	Location update triggering	16.0.0
2019-09	SA#85	SP-190635	0040	1	F	Reporting SUPI in Unsuccessful Registration	16.0.0
2019-09	SA#85	SP-190635	0041	1	F	SUPI Unauthenticated Clarification	16.0.0
2019-09	SA#85	SP-190635	0042	1	F	Mandatory Inclusion of OtherMessage Parameter	16.0.0
2019-09	SA#85	SP-190635	0044	1	F	Task Details Required for Positioning	16.0.0
2019-09	SA#85	SP-190635	0045	1	F	LALS Report Record Note	16.0.0
2019-09	SA#85	SP-190662	0050	3	C	Addition of map datum for geographicalCoordinates	16.0.0
2019-09	SA#85	SP-190662	0051	2	F	Stage 3 text to service scoping	16.0.0
2019-12	SA#86	SP-190984	0053	1	A	Inclusion of Product XID in triggering scenarios	16.1.0
2019-12	SA#86	SP-190984	0055	1	A	LALS Reference Correction	16.1.0
2019-12	SA#86	SP-190985	0057	-	F	Rapporteur fixes in TS 33.128	16.1.0
2019-12	SA#86	SP-190985	0059	1	D	Editorial name change for ETSI TS 103 221-x references	16.1.0
2020-03	SA#87-e	SP-200030	0061	-	A	Wrong ASN.1 coding of parameters AMFPointer and AMFSetID	16.2.0
2020-03	SA#87-e	SP-200031	0062	-	F	Coding of payload direction in xIRIs	16.2.0
2020-03	SA#87-e	SP-200031	0063	-	F	Clarification on 3GPP identifier coding over LI_X2 and LI_HI2	16.2.0
2020-03	SA#87-e	SP-200030	0065	1	A	A clarification to the xIRI SMF PDUSessionRelease record	16.2.0
2020-03	SA#87-e	SP-200031	0066	-	F	Coding of "other target identifier" conditional attributes in xIRIs	16.2.0
2020-03	SA#87-e	SP-200031	0070	1	F	UDM Serving System based on serving MME	16.2.0
2020-07	SA#88-e	SP-200407	0073	1	B	EPC porting	16.3.0
2020-07	SA#88-e	SP-200407	0074	1	F	Corrections to target identifier formats	16.3.0
2020-07	SA#88-e	SP-200407	0075	1	B	IRI fields for ATSSS	16.3.0
2020-07	SA#88-e	SP-200407	0076	1	B	Drafting rule update	16.3.0
2020-07	SA#88-e	SP-200407	0077	1	F	Fixing ASN.1 to match drafting rules	16.3.0
2020-07	SA#88-e	SP-200407	0078	2	F	Clarification and Correction of LALS Service Scoping	16.3.0
2020-07	SA#88-e	SP-200407	0083	1	C	Enhanced AMF Location Update Reporting with Dual Connectivity	16.3.0
2020-07	SA#88-e	SP-200407	0084	1	F	Correction on provisioning of SMF over LI_X	16.3.0
2020-09	SA#89-e	SP-200807	0088	2	F	MMS	16.4.0
2020-09	SA#89-e	SP-200807	0090	1	F	Missing reporting of SMS over NAS in EPC (MME)	16.4.0
2020-09	SA#89-e	SP-200807	0091	1	F	Corrections to the text that describe the service scoping	16.4.0
2020-09	SA#89-e	SP-200807	0092	1	B	Alignment to TS29.571 & TS29.572 R16 parameters	16.4.0
2020-09	SA#89-e	SP-200807	0093	1	F	Clarification on references in EPC LI	16.4.0
2020-09	SA#89-e	SP-200807	0094	5	B	Support for PTC Stage 3	16.4.0
2020-09	SA#89-e	SP-200807	0095	-	F	Reporting Unsupported MA PDU Session requests	16.4.0
2020-09	SA#89-e	SP-200807	0098	1	F	Access Type Reference Correction	16.4.0
2020-09	SA#89-e	SP-200807	0101	1	F	Clarifying IRI Type for SMF-UPF IRI records	16.4.0
2020-09	SA#89-e	SP-200807	0102	1	F	Clarifying IRI Type for SMSF IRI records	16.4.0
2020-09	SA#89-e	SP-200807	0103	1	F	Clarifying IRI Type for UDM IRI records	16.4.0

Change history							
Date	Meeting	TDoc	CR	Rev	Cat	Subject/Comment	New version
2020-09	SA#89-e	SP-200807	0104	1	F	Clarifying IRI Type for LALS IRI records	16.4.0
2020-09	SA#89-e	SP-200807	0105	1	F	Clarifying IRI Type for Cell Site IRI records	16.4.0
2020-09	SA#89-e	SP-200807	0106	1	F	Correction of field name in LI_X2/T2	16.4.0
2020-09	SA#89-e	SP-200807	0110	1	F	Clarifying IRI Type for AMF IRI messages	16.4.0
2020-09	SA#89-e	SP-200807	0111	1	F	Correcting a typo in the ASN.1 TargetIdentifier choice	16.4.0
2020-09	SA#89-e	SP-200807	0112	1	F	HSS LI (stage 3) porting	16.4.0
2020-09	SA#89-e	SP-200806	0116	-	A	Clarification on contents of UPF CC	16.4.0
2020-09	SA#89-e	SP-200807	0117	-	F	Reference correction for xCC payload format	16.4.0
2020-12	SA#90-e	SP-200940	0120	1	B	PDSR triggers for start and end of flow	16.5.0
2020-12	SA#90-e	SP-200940	0121	-	F	Additional details on Location Update at AMF	16.5.0
2020-12	SA#90-e	SP-200940	0122	-	F	Corrections on UDM Serving System	16.5.0
2020-12	SA#90-e	SP-200940	0130	1	F	Clarification on the contents of the IRI TargetIdentifiers field	16.5.0
2020-12	SA#90-e	SP-200940	0131	-	F	Aligning the CC payload form of 5G with LTE	16.5.0
2020-12	SA#90-e	SP-200940	0133	1	F	PDU session ID in PDHR and PDSR	16.5.0
2020-12	SA#90-e	SP-200940	0136	4	B	MA PDU Session Stage 3	16.5.0
2020-12	SA#90-e	SP-200940	0138	1	B	Identifier Association	16.5.0
2020-12	SA#90-e	SP-200940	0139	1	B	Update to LI at the SMSF	16.5.0
2020-12	SA#90-e	SP-200940	0140	1	F	Update to Provisioning for LI at the SMF/UPF	16.5.0
2020-12	SA#90-e	SP-200940	0141	-	F	Clarification to PDHR/PDSR	16.5.0
2020-12	SA#90-e	SP-200940	0142	1	F	Stage 3 details for SMF/UPF LI_X1	16.5.0
2020-12	SA#90-e	SP-200939	0143	1	A	Missing session establishment time in SMF IRI	16.5.0
2020-12	SA#90-e	SP-200940	0144	-	F	Update to Activate Task Message for IRI-TF and CC-TF in the SMF	16.5.0
2020-12	SA#90-e	SP-200940	0145	-	F	Clarification to trigger for PDSR Delivery	16.5.0
2020-12	SA#90-e	SP-200940	0147	1	B	Update Serving System and support of Subscriber Record Change and Cancel Location (x)IRIs	16.5.0
2020-12	SA#90-e	SP-200940	0150	1	F	Fixing Target Identity Extensions	16.5.0
2021-03	SA#91-e	SP-210031	0153	2	F	GUTI allocation procedure reporting correction	16.6.0
2021-03	SA#91-e	SP-210031	0155	1	F	Removal of note in LI at the UDM clause that no longer applies	16.6.0
2021-03	SA#91-e	SP-210031	0156	1	F	Corrections to MA PDU LI reporting at the SMF	16.6.0
2021-03	SA#91-e	SP-210031	0157	-	F	Identity Association Corrections	16.6.0
2021-03	SA#91-e	SP-210031	0158	1	F	Alignment of positioning methods	16.6.0
2021-03	SA#91-e	SP-210031	0159	1	F	Removal of Reference to Deleted Note	16.6.0
2021-03	SA#91-e	SP-210031	0160	1	F	Identity Association correction and clarification LI_HIQR and LI_XQR	16.6.0
2021-03	SA#91-e	SP-210031	0161	1	F	Correction of FiveGGUTI ASN1 in LI_XER	16.6.0
2021-03	SA#91-e	SP-210032	0163	1	F	Port of EPC MME Target Identifiers	17.0.0
2021-06	SA#92-e	SP-210303	0164	1	C	Clarification of ID Association Provisioning at the MME	17.1.0
2021-06	SA#92-e	SP-210303	0165	1	C	Addition of EPS/5G Interworking Parameters to ASN.1	17.1.0
2021-06	SA#92-e	SP-210303	0166	1	C	Enhancements to LI at the AM	17.1.0
2021-06	SA#92-e	SP-210302	0168	1	A	LALS: Correcting the error that infers as if LIPF provisions the triggered LI-LCS Client	17.1.0
2021-06	SA#92-e	SP-210302	0170	1	A	LI_T: Clarification on the need to have create destination over LI-T2 and LI_T3	17.1.0
2021-06	SA#92-e	SP-210302	0172	1	A	Addition of ModifyTask to LI_X1 realization	17.1.0
2021-06	SA#92-e	SP-210302	0175	1	A	Avoiding multiple copies of xCC over LI_X3: Additional XID Related Information	17.1.0
2021-06	SA#92-e	SP-210302	0181	2	A	Alignment of N3GPP Access Location	17.1.0
2021-06	SA#92-e	SP-210302	0182	1	A	LALS Target Identities	17.1.0
2021-06	SA#92-e	SP-210303	0184	1	F	UDM: clarification on the payload direction field for UDM related xIRI	17.1.0
2021-06	SA#92-e	SP-210303	0185	1	F	ID Association: clarification on the payload direction field	17.1.0
2021-06	SA#92-e	SP-210303	0186	1	F	Location: clarification on the payload direction field	17.1.0
2021-06	SA#92-e	SP-210303	0196	3	C	Port of EPC MME LI	17.1.0
2021-06	SA#92-e	SP-210303	0198	1	D	Corrections to references for clause 7.5 PTC Services	17.1.0
2021-06	SA#92-e	SP-210303	0199	1	B	LIPF logic: new informative annex	17.1.0
2021-06	SA#92-e	SP-210303	0201	1	B	LI for NEF Services (NIDD included)	17.1.0
2021-06	SA#92-e	SP-210303	0202	1	B	LI for SCEF services	17.1.0
2021-06	SA#92-e	SP-210303	0204	1	F	Editorial improvements	17.1.0
2021-06	SA#92-e	SP-210302	0208	1	A	Ongoing reporting for LI_XQR	17.1.0
2021-06	SA#92-e	SP-210303	0210	1	B	Correction to LI for the SGW/PGW and addition of CUPS EP	17.1.0
2021-06	SA#92-e	SP-210303	0211	1	B	Change of reference for PDHR/PDSR approach	17.1.0
2021-06	SA#92-e	SP-210301	0214	1	A	Explicit ModifyTask and DeactivateTask for LI_TF	17.1.0
2021-06	SA#92-e	SP-210303	0215	-	B	LI state transfers in SMF sets	17.1.0
2021-09	SA#93-e	SP-210829	0217	-	F	Correction to details for SMSF parameter	17.2.0
2021-09	SA#93-e	SP-210829	0218	1	C	Change of common XSD type references	17.2.0
2021-09	SA#93-e	SP-210829	0219	-	F	Correction of ASN.1 typos for R17	17.2.0
2021-09	SA#93-e	SP-210829	0220	2	B	CR adding LI for AKMA (stage 3)	17.2.0
2021-09	SA#93-e	SP-210829	0221	1	C	Addition of non-IMEISV PEI reporting at the AMF	17.2.0
2021-09	SA#93-e	SP-210829	0222	-	D	Editorial correction to xIRI generation lists at the MME	17.2.0
2021-09	SA#93-e	SP-210828	0223	1	A	Generation of xCC over LI_X3 for PTC service	17.2.0

Change history							
Date	Meeting	TDoc	CR	Rev	Cat	Subject/Comment	New version
2021-09	SA#93-e	SP-210828	0225	1	A	Generation of CC over LI_HI3 for PTC service	17.2.0
2021-09	SA#93-e	SP-210829	0228	1	F	Update of stage 3 language and alignment of packet header information reporting	17.2.0
2021-09	SA#93-e	SP-210829	0232	1	D	Few editorials – consistency purpose	17.2.0
2021-09	SA#93-e	SP-210829	0234	1	C	Correction to MME Record Types	17.2.0
2021-09	SA#93-e	SP-210829	0235	1	C	Addition of HeaderReporting options to MediationDetails	17.2.0
2021-09	SA#93-e	SP-210828	0238	-	A	Correction of TAC length in Annex E	17.2.0
2021-09	SA#93-e	SP-210829	0239	1	B	N9HRLI and S8HR LI – Part I (Phase 1 – LI_X1)	17.2.0
2021-09	SA#93-e	SP-210829	0240	1	B	N9HRLI and S8HR LI – Part II (Phase 1 – LI_X2_LITE)	17.2.0
2021-09	SA#93-e	SP-210829	0241	1	B	N9HRLI and S8HR LI – Part III (Phase 1 – BBIFF-U triggering)	17.2.0
2021-09	SA#93-e	SP-210829	0242	1	B	N9HRLI and S8HR LI – Part IV (Phase 1 – LI_X3_LITE_S)	17.2.0
2021-09	SA#93-e	SP-210829	0243	1	B	N9HRLI and S8HR LI – Part V (Phase 2 – LI_X1)	17.2.0
2021-09	SA#93-e	SP-210829	0244	1	B	N9HRLI and S8HR LI – Part VI (Phase 2 – LI_X2)	17.2.0
2021-09	SA#93-e	SP-210829	0245	1	B	N9HRLI and S8HR LI – Part VII (Phase 2 – LI_T1 & LI_T3)	17.2.0
2021-09	SA#93-e	SP-210829	0246	1	B	N9HRLI and S8HR LI – Part VIII (Phase 2 – LI_X3_LITE_M)	17.2.0
2021-09	SA#93-e	SP-210829	0247	1	B	N9HRLI and S8HR LI – Part IX (Phase 2 – LI_X3)	17.2.0
2021-09	SA#93-e	SP-210829	0248	1	B	N9HR LI and S8HR LI – Part X (Phase 2 – X3, LI_HI2 and LI_HI3)	17.2.0
2021-09	SA#93-e	SP-210829	0249	1	B	N9HR LI and S8HR LI – Part XI (ASN.1 changes)	17.2.0
2021-09	SA#93-e	SP-210829	0250	1	B	N9HR LI and S8HR LI: New XSD definitions	17.2.0
2021-09	SA#93-e	SP-210829	0251	1	F	Update requirement for IRI type	17.2.0
2021-09	SA#93-e	SP-210829	0253	1	C	Update to start of interception with registered UE record at the AMF	17.2.0
2021-12	SA#94-e	SP-211409	0255	1	F	HR LI: Deactivating triggers over LI_T1 and LI_T3 when the IMS session ends	17.3.0
2021-12	SA#94-e	SP-211409	0256	1	F	HR LI: Deactivating LI_T3 when PDU session/PDN connection is released or HR is disabled	17.3.0
2021-12	SA#94-e	SP-211409	0257	1	F	HR LI: The case of post PDU session/PDN connection HR LI enabling	17.3.0
2021-12	SA#94-e	SP-211409	0258	8	B	STIR SHAKEN Stage 3	17.3.0
2021-12	SA#94-e	SP-211408	0260	1	A	DeactiveTask messages	17.3.0
2021-12	SA#94-e	SP-211409	0261	1	B	Addition of PDN Info to SMF Tables	17.3.0
2021-12	SA#94-e	SP-211408	0263	1	A	Clarification to default behaviour for ServiceScoping at the MDF	17.3.0
2021-12	SA#94-e	SP-211408	0265	1	A	Clarification of PEI in ASN.1	17.3.0
2021-12	SA#94-e	SP-211408	0267	1	A	LI_HIQR Clarifications	17.3.0
2021-12	SA#94-e	SP-211408	0269	1	A	Clarification to default behaviour for Location Type at the MDF	17.3.0
2021-12	SA#94-e	SP-211409	0270	1	F	HR LI: Only one Activate Task to the BBIFF-C from LIPF	17.3.0
2021-12	SA#94-e	SP-211409	0271	1	F	Target identifier clarification – IMS LI and HR LI	17.3.0
2021-12	SA#94-e	SP-211409	0272	1	B	Records in IMS stage 3	17.3.0
2021-12	SA#94-e	SP-211409	0273	1	B	Separated Location Reporting	17.3.0
2021-12	SA#94-e	SP-211409	0274	1	B	RCS Stage 3 Provisioning	17.3.0
2021-12	SA#94-e	SP-211409	0275	1	B	RCS Stage 3 Triggering	17.3.0
2021-12	SA#94-e	SP-211409	0276	1	B	RCS Stage 3 Registration, Message and Session establishment LI messages	17.3.0
2021-12	SA#94-e	SP-211408	0278	1	A	Update requirements for IPID and EIPID	17.3.0
2021-12	SA#94-e	SP-211409	0279	-	F	A Clarification on LALS Triggering with LMISF-IRI	17.3.0
2021-12	SA#94-e	SP-211409	0288	1	C	GPSI for AIC - Stage 3	17.3.0
2021-12	SA#94-e	SP-211409	0290	-	B	IMS LI Stage 3 Details	17.3.0
2022-03	SA#95-e	SP-220258	0291	-	C	IMS LI Stage 3 – missing points in the target match principles	17.4.0
2022-03	SA#95-e	SP-220258	0292	1	C	IMS LI Stage 3 – references to the LI details specified in other clauses	17.4.0
2022-03	SA#95-e	SP-220258	0293	-	C	HR LI Stage 3 – out-of-scope to in-scope on xIRI details	17.4.0
2022-03	SA#95-e	SP-220257	0295	-	A	Missing "Owner" field in the IdentityAssociationTargetIdentifier parameter definition	17.4.0
2022-03	SA#95-e	SP-220258	0296	1	F	HR LI Stage 3 – fixing the errors in the reserved IP addresses	17.4.0
2022-03	SA#95-e	SP-220257	0299	1	A	Corrections on SUCI coding	17.4.0
2022-03	SA#95-e	SP-220258	0301	1	F	Fixing parameter names	17.4.0
2022-03	SA#95-e	SP-220258	0302	1	B	Clarification of LI at the UDM	17.4.0
2022-03	SA#95-e	SP-220258	0303	1	B	Addition of SAT and REDCAP RatTypes	17.4.0
2022-03	SA#95-e	SP-220258	0304	-	B	Adding TransportProtocol to N3GALocation	17.4.0
2022-03	SA#95-e	SP-220258	0309	1	D	Few editorial fixes	17.4.0
2022-03	SA#95-e	SP-220258	0310	-	F	Aligning CSP service types for Service Scoping	17.4.0
2022-03	SA#95-e	SP-220258	0313	1	F	Correction on the payload direction in PDU header for IMS Message record	17.4.0
2022-03	SA#95-e	SP-220258	0314	1	B	IMS LI Stage 3 – CC Unavailable xIRI	17.4.0
2022-03	SA#95-e	SP-220258	0315	-	C	Update to Service Scoping Details for IMS	17.4.0
2022-03	SA#95-e	SP-220258	0316	1	C	Addition of ListOfServiceTypes to ActivateTask messages	17.4.0
2022-03	SA#95-e	SP-220258	0319	1	C	Clarification to Service Scoping requirements for LI_HI1	17.4.0
2022-03	SA#95-e	SP-220257	0321	1	A	Addition of NFID for xIRI and xCC	17.4.0
2022-03	SA#95-e	SP-220257	0324	-	A	Corrections to LI_X2 text	17.4.0
2022-03	SA#95-e	SP-220257	0326	-	A	Correction of RequestValues in LI_HIQR	17.4.0

Change history							
Date	Meeting	TDoc	CR	Rev	Cat	Subject/Comment	New version
2022-03	SA#95-e	SP-220258	0327	3	C	STIR SHAKEN Correction	17.4.0
2022-03	SA#95-e	SP-220258	0328	2	C	Measurement Report with LI/LALS in EPC	17.4.0
2022-03	SA#95-e	SP-220258	0329	2	C	Measurement Report with LI/LALS in 5GC	17.4.0
2022-03	SA#95-e	SP-220258	0330	-	F	Clarification of DNN and APN encoding	17.4.0
2022-03	SA#95-e	SP-220258	0332	1	F	Corrections and Editorial changes	17.4.0
2022-03	SA#95-e	SP-220257	0334	1	A	Time of registration/session establishment in Start of Interception related xIRIs	17.4.0
2022-06	SA#96	SP-220386	0336	1	F	Inconsistent use of the terms "identity" and "identifier" in context with the topic "identifier association"	17.5.0
2022-06	SA#96	SP-220386	0337	1	B	IMS LI stage 3: LI_T3 details	17.5.0
2022-06	SA#96	SP-220386	0338	1	B	IMS LI Stage 3 – LI_X3 details	17.5.0
2022-06	SA#96	SP-220386	0339	1	B	IMS LI Stage 3 – LI_HI2 details	17.5.0
2022-06	SA#96	SP-220386	0340	1	B	IMS LI stage 3: LI_HI3 details	17.5.0
2022-06	SA#96	SP-220386	0343	1	F	Alignment of ASN.1 values with TS 29.572 V17.4.0 and corrections	17.5.0
2022-06	SA#96	SP-220386	0347	1	F	Erasing an XSD error in Annex C	17.5.0
2022-06	SA#96	SP-220385	0349	1	A	Backward Compatibility in ASN.1 Schema	17.5.0
2022-06	SA#96	SP-220386	0350	1	F	Correction to IRI types table 7.2.2-4	17.5.0
2022-06	SA#96	SP-220386	0351	-	D	Homogenization of terms designating UE	17.5.0
2022-06	SA#96	SP-220386	0354	1	F	Interception at SMF+PGW-C	17.5.0
2022-06	SA#96	SP-220386	0355	-	B	LI for Edge-unaware UE, and SMF reporting updates	17.5.0
2022-06	SA#96	SP-220387	0344	1	B	Addition of Handover LI Stage 3	18.0.0
2022-09	SA#97-e	SP-220756	0356	3	B	Edge Computing Aware UE stage 3	18.1.0
2022-09	SA#97-e	SP-220755	0358	2	A	Correction to AMF Registration ASN.1	18.1.0
2022-09	SA#97-e	SP-220756	0362	-	F	Nudm_UEContextManagement Deregistration service operation	18.1.0
2022-09	SA#97-e	SP-220755	0364	1	A	Correction To AMF Deregistration xIRI	18.1.0
2022-09	SA#97-e	SP-220756	0365	-	F	Correction to Table 6.2.2-7	18.1.0
2022-09	SA#97-e	SP-220754	0368	1	A	Alignment of the requestType Parameter usage within SMF events	18.1.0
2022-09	SA#97-e	SP-220755	0370	3	A	Addition of EUI64 and Paging Restriction Indicator to AMFRegistration Record	18.1.0
2022-09	SA#97-e	SP-220756	0373	1	B	IRI Events for reporting PDN Connection events from the combined SMF+PGW-C	18.1.0
2022-09	SA#97-e	SP-220756	0376	1	B	Location Reporting for Identity Association Record	18.1.0
2022-09	SA#97-e	SP-220755	0380	1	A	Correction to UDMservingSystemMessage Record	18.1.0
2022-09	SA#97-e	SP-220754	0383	1	A	Alignment of target identifiers with services in ASN.1	18.1.0
2022-09	SA#97-e	SP-220755	0385	1	A	STIR/SHAKEN: Enhancements to stage 3 LI descriptions (LI_X1 provisioning)	18.1.0
2022-09	SA#97-e	SP-220755	0387	1	A	STIR/SHAKEN: Enhancements to stage 3 LI descriptions (LI_X2)	18.1.0
2022-09	SA#97-e	SP-220755	0389	1	A	Correction and enrichment of LI events related to Edge unaware UE in R18	18.1.0
2022-09	SA#97-e	SP-220756	0390	-	F	Drafting rules for deprecated field	18.1.0
2022-09	SA#97-e	SP-220755	0392	1	A	STIR/SHAKEN: Missing details in the MDF2 clause	18.1.0
2022-09	SA#97-e	SP-220755	0394	1	A	LIPF logic diagram updates to include STIR/SHAKEN aspects	18.1.0
2022-09	SA#97-e	SP-220756	0396	1	B	Location acquisition interfaces	18.1.0
2022-09	SA#97-e	SP-220755	0399	2	A	Adding support for Session Based Triggers to PDSR	18.1.0
2022-09	SA#97-e	SP-220754	0406	-	A	Resolve inconsistency in HI4 payload	18.1.0
2022-12	SA#98-e	SP-221031	0411	1	A	LIPF Logic Annex – updates to fix a few errors related to STIR/SHAKEN tables	18.2.0
2022-12	SA#98-e	SP-221031	0414	-	A	Document compatibility issues with PTC and NIDD	18.2.0
2022-12	SA#98-e	SP-221031	0415	1	B	Drafting guidance for tag comments	18.2.0
2022-12	SA#98-e	SP-221031	0421	-	A	Correction to table 6.2.3-14 SMF IRI Types	18.2.0
2022-12	SA#98-e	SP-221031	0422	1	B	Location Only Reporting Provisioning Details	18.2.0
2022-12	SA#98-e	SP-221031	0424	1	A	Correction of AMFLocationUpdate Record	18.2.0
2022-12	SA#98-e	SP-221031	0428	1	B	Addition of UDM Start of Intercept and De-Reg Records	18.2.0
2022-12	SA#98-e	SP-221031	0429	1	A	Addition of 5GS-EPS reporting parameters to MAPDU messages	18.2.0
2022-12	SA#98-e	SP-221031	0431	1	A	Protocols for LI_X2_LITE, LI_X3_LITE_S and LI_X3_LITE_M	18.2.0
2022-12	SA#98-e	SP-221031	0432	-	D	Editorial fixes	18.2.0
2022-12	SA#98-e	SP-221031	0435	1	B	LI of 5G Media Streaming (5GMS) (Control plane)	18.2.0
2022-12	SA#98-e	SP-221031	0436	1	B	HSS-UDM Interworking LI Stage 3	18.2.0
2022-12	SA#98-e	SP-221031	0438	1	F	Clarifications for LI_HI1	18.2.0
2022-12	SA#98-e	SP-221031	0441	-	F	Moving schemas to attachments	18.2.0
2022-12	SA#98-e	SP-221031	0442	1	F	Location acquisition correction	18.2.0
2022-12	SA#98-e	SP-221031	0444	1	A	Clarification on the provisioning of equivalent 4G and 5G identifier as target in the IRI-POI and CC-TF present in the SMF+PGW-C	18.2.0
2022-12	SA#98-e	SP-221031	0446	-	A	Correction on references	18.2.0
2022-12	SA#98-e	SP-221031	0447	1	F	IRI for Location Acquisition	18.2.0
2022-12	SA#98-e	SP-221031	0449	-	A	Clarification on MMELocationUpdate	18.2.0
2022-12	SA#98-e	SP-221031	0451	1	A	Enhance the target match algorithm - SMS over IP (SIP URI)	18.2.0
2022-12	SA#98-e	SP-221031	0453	1	A	S-CSCF-based IRI-POI - clarification on the scope	18.2.0
2022-12	SA#98-e	SP-221031	0455	1	A	STIR/SHAKEN - changes to correct a scenario that never happens	18.2.0

Change history							
Date	Meeting	TDoc	CR	Rev	Cat	Subject/Comment	New version
2022-12	SA#98-e	SP-221031	0458	1	A	Addition of UE Configuration Update Record and change to AMFLocation Update Record	18.2.0
2023-03	SA#99	SP-230240	0459	-	F	Corrections of some references given in clauses 6.2.2.2.9.2 and 6.2.2.2.9.3	18.3.0
2023-03	SA#99	SP-230240	0460	2	B	LI for AF Session with QoS (Stage 3)	18.3.0
2023-03	SA#99	SP-230240	0461	2	B	LI for AS Session with QoS	18.3.0
2023-03	SA#99	SP-230240	0462	1	C	Addition of NG and NAS Information to AMF Registration Record	18.3.0
2023-03	SA#99	SP-230240	0463	-	F	Corrections to the diagrams - Part V (stage 3, LI-HI1)	18.3.0
2023-03	SA#99	SP-230240	0465	-	A	LIPF logic diagram uses IBCF (LTF) instead of IBCF (IRI-POI)	18.3.0
2023-03	SA#99	SP-230240	0466	-	A	Editorial: Incorrect spelling of LMISF	18.3.0
2023-03	SA#99	SP-230240	0469	1	A	Corrections to fix the incorrect use of SM-SC term	18.3.0
2023-03	SA#99	SP-230240	0472	-	A	Correction to S-NSSAI parameter	18.3.0
2023-03	SA#99	SP-230240	0475	1	C	Alignment of Cell Site Information reporting Stage 3	18.3.0
2023-03	SA#99	SP-230240	0477	3	F	Location Usage Specifics	18.3.0
2023-03	SA#99	SP-230240	0479	1	A	Addition of GERA and UTRA Location to UserLocation structure	18.3.0
2023-03	SA#99	SP-230240	0482	1	A	Addition of Ignore NCGI, Ignore ECGI and Ignore TAI parameter to Location	18.3.0
2023-03	SA#99	SP-230240	0488	1	A	Correction to the encoding of Uncertainty in Location	18.3.0
2023-03	SA#99	SP-230240	0494	1	A	Alignment of the EPS Location reporting types	18.3.0
2023-03	SA#99	SP-230240	0495	1	B	Delegated State for LI_X1	18.3.0
2023-03	SA#99	SP-230240	0496	1	C	Addition of a new location type for the reporting of IMS location information	18.3.0
2023-03	SA#99	SP-230240	0497	1	C	Addition of Access Network Information to IMS Records	18.3.0
2023-03	SA#99	SP-230240	0498	-	C	Addition of currently described dictionaries to the Dictionaries XML	18.3.0
2023-06	SA#100	SP-230443	0501	1	B	Location acquisition interfaces for the EPC and alignment of the 5G and the EPC procedure	18.4.0
2023-06	SA#100	SP-230443	0503	-	A	Correction to avoid a trigger generating two different xIRIs (R18)	18.4.0
2023-06	SA#100	SP-230443	0507	1	A	Modifying the name of an undefined NAS message to a defined NAS message (R18)	18.4.0
2023-06	SA#100	SP-230443	0508	1	A	Use of correct PFCP message name that triggers LI_T3: DeactivateTask	18.4.0
2023-06	SA#100	SP-230443	0515	-	A	Missing trigger for xIRI PDU session modification when access type changes (R18)	18.4.0
2023-06	SA#100	SP-230443	0517	-	A	Cleaning up the text to move an out of text paragraph (R18)	18.4.0
2023-06	SA#100	SP-230443	0520	1	F	Editorial: Inconsistencies in how the messages are spelled out (R18)	18.4.0
2023-06	SA#100	SP-230443	0521	1	F	Adding the clause numbers when external reference is given in the SMF/UPF clauses	18.4.0
2023-06	SA#100	SP-230443	0523	1	A	Corrections on some parameters reported by the combined SMF+PGW-C	18.4.0
2023-06	SA#100	SP-230443	0525	-	A	Correction of ASN.1 for TLS AKMA IRI Rel-18	18.4.0
2023-06	SA#100	SP-230443	0526	1	B	Enhancement of LI notification message related to non-local ID indicator	18.4.0
2023-06	SA#100	SP-230443	0529	3	B	RCS xIRIs Registration, Message, Capability Discovery	18.4.0
2023-06	SA#100	SP-230443	0530	1	B	Addition of LI for Trace at the AMF Stage 3	18.4.0
2023-06	SA#100	SP-230443	0531	1	F	Location Usage Specifics	18.4.0
2023-06	SA#100	SP-230443	0533	-	F	Deletion of duplicate reference	18.4.0
2023-06	SA#100	SP-230443	0535	-	A	sCASID and aFID in SCEF/NEF Unsuccessful Procedure xIRI	18.4.0
2023-06	SA#100	SP-230443	0536	1	C	Solution to allow the reporting of encapsulated information	18.4.0
2023-06	SA#100	SP-230443	0537	1	C	Identification of information that may need to be removed from encapsulated SIP messages	18.4.0
2023-06	SA#100	SP-230443	0539	1	A	Missed cases for PDU session release (R18)	18.4.0
2023-06	SA#100	SP-230443	0540	-	B	Location Only reporting for EPS	18.4.0
2023-06	SA#100	SP-230443	0541	1	C	Update to TS 33.128 due to the transfer of Annex G to TR 33.928	18.4.0
2023-09	SA#101	SP-230827	0543	1	B	Steering of Roaming and UE Policy (route flow selection) ; stage 3	18.5.0
2023-09	SA#101	SP-230827	0545	-	A	The undetectable events for xIRI NEFUnsuccessfulProcedure record-R18	18.5.0
2023-09	SA#101	SP-230827	0547	-	B	Accommodate File Transfer Localization Function in the stage 3 provisioning clauses	18.5.0
2023-09	SA#101	SP-230827	0549	1	C	AMF Registration Modification	18.5.0
2023-09	SA#101	SP-230827	0550	1	B	Addition of RCS Session Related Records	18.5.0
2023-09	SA#101	SP-230827	0552	1	A	Clarifications for AKMA LI Stage 3	18.5.0
2023-09	SA#101	SP-230827	0553	1	C	Solution to allow the redaction of encapsulated information	18.5.0
2023-09	SA#101	SP-230827	0554	1	F	UDM Deregistration Reason Update	18.5.0
2023-09	SA#101	SP-230827	0555	1	C	Addition of AMF service accept record for Stage 3	18.5.0
2023-09	SA#101	SP-230827	0556	-	F	Correction on parameter ePS5GSCombolInfo	18.5.0
2023-09	SA#101	SP-230827	0557	1	C	UDM Authentication Response modification	18.5.0
2023-09	SA#101	SP-230827	0559	1	F	Correction to EPS PDN Connection Modification record	18.5.0
2023-09	SA#101	SP-230827	0560	1	B	Correction to the provisioning for location acquisition	18.5.0
2023-12	SA#102	SP-231603	0561	1	C	Corrections and additions to AMF Service Accept records	18.6.0

Change history							
Date	Meeting	TDoc	CR	Rev	Cat	Subject/Comment	New version
2023-12	SA#102	SP-231603	0562	1	F	Updating the format of ASN.1 references	18.6.0
2023-12	SA#102	SP-231603	0563	1	C	Alignment of MME records with AMF records by adding missing parameters and records	18.6.0
2023-12	SA#102	SP-231603	0564	1	C	Corrections to AMF record tables, ASN.1 and addition of missing parameter tables	18.6.0
2023-12	SA#102	SP-231603	0568	1	B	NTN related information - stage 3	18.6.0
2023-12	SA#102	SP-231603	0569	1	A	Missing PDU session ID/EPS bearer ID in xIRIs generated at the NEF/SCEF	18.6.0
2023-12	SA#102	SP-231603	0571	1	A	APN unavailability in SCEFUnsuccessfulProcedure record	18.6.0
2023-12	SA#102	SP-231603	0572	1	F	Creation of Common Parameters Clause	18.6.0
2023-12	SA#102	SP-231603	0573	1	F	ASN.1 field deprecation and other drafting guidance enhancements	18.6.0
2023-12	SA#102	SP-231603	0575	1	A	Correction to RCS trigger XID, and other XID clarifications	18.6.0
2023-12	SA#102	SP-231603	0576	1	F	Corrections to Trace procedure reporting parameters	18.6.0
2023-12	SA#102	SP-231603	0577	1	F	RCS: Fixing a few suspected editorials in the stage 3 text	18.6.0
2023-12	SA#102	SP-231603	0580	-	F	PDU session related xIRIs during handover scenarios	18.6.0
2023-12	SA#102	SP-231603	0582	1	F	Optional Cell ID in LI_HIQR queries	18.6.0
2023-12	SA#102	SP-231603	0586	1	C	Deactivation_of_LI_at_CC_POI_for_Hold	18.6.0
2023-12	SA#102	SP-231603	0587	1	F	Clarification_of_NFID_IPID_Requirements	18.6.0
2023-12	SA#102	SP-231603	0588	1	F	Updates for Non-3GPP Access Networks	18.6.0
2023-12	SA#102	SP-231603	0591	1	C	Addition of ExternalASNTYPE	18.6.0
2023-12	SA#102	SP-231603	0595	1	F	Addition of missing parameters to SUCI definition	18.6.0
2023-12	SA#102	SP-231603	0596	1	C	Details for redacting unauthorised information from RCS messages	18.6.0
2024-03	SA#103	SP-240139	0602	1	C	Addition of ProSe LI reporting at the UDM Stage 3	18.7.0
2024-03	SA#103	SP-240139	0603	-	F	TS 33.128 - Corrections and editorial changes	18.7.0
2024-03	SA#103	SP-240139	0604	1	C	Correction of description of the currentLoc parameter of LocationInfo	18.7.0
2024-03	SA#103	SP-240139	0605	1	D	Correction of clause title for GeographicCoordinates type	18.7.0
2024-03	SA#103	SP-240139	0606	1	C	Clarification on the delivery of different services and the applicability of messaging service scoping	18.7.0
2024-03	SA#103	SP-240139	0607	1	C	Addition of MSRP information to RCS Session records	18.7.0
2024-03	SA#103	SP-240139	0608	1	B	Solution for the delivery of RCS CC from the CC-POI in the RCS Server	18.7.0
2024-03	SA#103	SP-240139	0609	1	F	Solution to allow multiple NCGIs to be sent in IEFAssociationRecord and IEFDeassociationRecord.	18.7.0
2024-03	SA#103	SP-240139	0610	1	B	Addition of Start of Interception Records for RCS reporting	18.7.0
2024-03	SA#103	SP-240139	0611	2	B	Pol in NWDAF Stage 3	18.7.0
2024-03	SA#103	SP-240139	0613	1	A	STIR/SHAKEN – Fixing an error	18.7.0
2024-03	SA#103	SP-240139	0614	1	B	LI_HIQR: Adding option to support P2T identity association requests without ObservedTime parameter	18.7.0
2024-03	SA#103	SP-240139	0615	1	F	LI_XQR Ongoing Association: Correction that delivery of NCGI can be requested	18.7.0
2024-03	SA#103	SP-240139	0617	2	F	Addition of 5 Column tables.	18.7.0
2024-03	SA#103	SP-240139	0619	-	F	STIR/SHAKEN – Fixing an error with “ReportDiversionPASSporTInfo”	18.7.0
2024-03	SA#103	SP-240139	0620	-	F	Editorconfig and XML consistency in R18	18.7.0
2024-06	SA#104	SP-240566	0624	1	A	Update on draft RFC reference	18.8.0
2024-06	SA#104	SP-240566	0625	1	C	LI_XEM1 should be LI_XER in 6.2.2A.2.3 Transmission to the ICF	18.8.0
2024-06	SA#104	SP-240566	0626	1	C	Adding structure for Multiple NCGIs in the ID association request	18.8.0
2024-06	SA#104	SP-240566	0628	1	A	STIR/SHAKEN – Fixing editorial errors leading technical fault	18.8.0
2024-06	SA#104	SP-240566	0632	1	F	Addition of parameter indicating the version of xIRI an IRI is generated from	18.8.0
2024-06	SA#104	SP-240566	0634	1	A	STIR/SHAKEN – changes to accommodate the ReportDiversionPASSporTInfo - 1	18.8.0
2024-06	SA#104	SP-240566	0638	1	A	BBIFF and LMISF provisioning limited to specific APN/DNN in S8HR/N9HR LI	18.8.0
2024-06	SA#104	SP-240566	0640	1	A	33.128 R18 Correction of the option reference for 4G	18.8.0
2024-06	SA#104	SP-240566	0641	-	F	33.128 R18 Correction of the table number of TS 29.172 Provide Sub.Location	18.8.0
2024-06	SA#104	SP-240566	0644	-	A	Separate DIDs for LI_X2_LITE and LI_X3_LITE_S	18.8.0
2024-06	SA#104	SP-240566	0645	1	C	Modification of Location Reporting	18.8.0
2024-06	SA#104	SP-240566	0647	-	A	Reference to a wrong clause for xIRIs generated at the LMISF-IRI	18.8.0
2024-06	SA#104	SP-240566	0650	-	A	Corrections on SMF LI in LBO	18.8.0
2024-06	SA#104	SP-240566	0651	-	F	Correction of the TAI description in the NRLocation definition	18.8.0
2024-06	SA#104	SP-240566	0653	1	C	SMS redaction for 3GPP2	18.8.0
2024-06	SA#104	SP-240566	0654	1	F	Corrections to ASN.1 references based on new drafting rules	18.8.0
2024-06	SA#104	SP-240566	0656	1	A	Correction to service scoping at the LMISF-IRI	18.8.0
2024-06	SA#104	SP-240566	0657	-	F	Removal of lists from IMSMessage record descriptions	18.8.0
2024-06	SA#104	SP-240566	0659	1	F	Clarification on location format out of the MME	18.8.0
2024-09	SA#105	SP-241074	0660	1	F	Correction to have a proper reference to the list of events	18.9.0
2024-09	SA#105	SP-241074	0663	2	F	Clarification of reporting of translated numbers.	18.9.0
2024-09	SA#105	SP-241074	0666	1	F	Correction to UDM Subscriber Record Change Message	18.9.0

Change history							
Date	Meeting	TDoc	CR	Rev	Cat	Subject/Comment	New version
2024-09	SA#105	SP-241074	0667	1	F	Clarification on post dialled digit reporting in IMS	18.9.0
2024-09	SA#105	SP-241074	0668	1	C	Addition of Cell Site Information for IQF responses.	18.9.0
2024-09	SA#105	SP-241074	0669	1	C	Introduction of next generation IP Packet Report format	18.9.0
2024-09	SA#105	SP-241074	0670	1	B	Introduction of Traffic Policies	18.9.0
2024-09						MCC editorial correction on ASN.1	18.9.1
2024-12	SA#106	SP-241453	0672	1	A	Correction and clarification of AKMA LI Rel-18	18.10.0
2024-12	SA#106	SP-241453	0676	2	A	Corrections on MMS target identities	18.10.0
2024-12	SA#106	SP-241453	0679	1	F	Correction on table 6.2.2.2.12-1: Payload for AMFUEPolicyTransfer record	18.10.0
2024-12	SA#106	SP-241453	0682	2	B	LI for IMS Data Channel Stage 3	18.10.0
2024-12	SA#106	SP-241453	0686	1	A	Solution for email target identifier in MMS	18.10.0
2024-12	SA#106	SP-241453	0693	1	C	ICF Record Update Without 5G-GUTI Association Change	18.10.0
2024-12	SA#106	SP-241453	0697	1	F	Clarification on applicability of triggers and records to non-standard implementations	18.10.0
2024-12	SA#106	SP-241453	0699	1	F	Clarification on location in RAN Information	18.10.0
2024-12	SA#106	SP-241453	0702	-	C	Adding TLS 1.3 IRI for AKMA LI (Rel-18)	18.10.0

History

Document history		
V18.7.0	May 2024	Publication
V18.8.0	July 2024	Publication
V18.9.0	September 2024	Publication (withdrawn)
V18.9.1	October 2024	Publication
V18.10.0	January 2025	Publication