

ETSI TS 138 181 V18.3.0 (2024-10)



**5G;
NR;
Satellite Access Node conformance testing
(3GPP TS 38.181 version 18.3.0 Release 18)**



Reference

RTS/TSGR-0438181 vi30

Keywords

5G

ETSI

650 Route des Lucioles
F-06921 Sophia Antipolis Cedex - FRANCE

Tel.: +33 4 92 94 42 00 Fax: +33 4 93 65 47 16

Siret N° 348 623 562 00017 - APE 7112B
Association à but non lucratif enregistrée à la
Sous-Préfecture de Grasse (06) N° w061004871

Important notice

The present document can be downloaded from the
ETSI [Search & Browse Standards application](#).

The present document may be made available in electronic versions and/or in print. The content of any electronic and/or print versions of the present document shall not be modified without the prior written authorization of ETSI. In case of any existing or perceived difference in contents between such versions and/or in print, the prevailing version of an ETSI deliverable is the one made publicly available in PDF format on [ETSI deliver](#).

Users should be aware that the present document may be revised or have its status changed,
this information is available in the [Milestones listing](#).

If you find errors in the present document, please send your comments to
the relevant service listed under [Committee Support Staff](#).

If you find a security vulnerability in the present document, please report it through our
[Coordinated Vulnerability Disclosure \(CVD\)](#) program.

Notice of disclaimer & limitation of liability

The information provided in the present deliverable is directed solely to professionals who have the appropriate degree of experience to understand and interpret its content in accordance with generally accepted engineering or other professional standard and applicable regulations.

No recommendation as to products and services or vendors is made or should be implied.

No representation or warranty is made that this deliverable is technically accurate or sufficient or conforms to any law and/or governmental rule and/or regulation and further, no representation or warranty is made of merchantability or fitness for any particular purpose or against infringement of intellectual property rights.

In no event shall ETSI be held liable for loss of profits or any other incidental or consequential damages.

Any software contained in this deliverable is provided "AS IS" with no warranties, express or implied, including but not limited to, the warranties of merchantability, fitness for a particular purpose and non-infringement of intellectual property rights and ETSI shall not be held liable in any event for any damages whatsoever (including, without limitation, damages for loss of profits, business interruption, loss of information, or any other pecuniary loss) arising out of or related to the use of or inability to use the software.

Copyright Notification

No part may be reproduced or utilized in any form or by any means, electronic or mechanical, including photocopying and microfilm except as authorized by written permission of ETSI.

The content of the PDF version shall not be modified without the written authorization of ETSI.

The copyright and the foregoing restriction extend to reproduction in all media.

© ETSI 2024.
All rights reserved.

Intellectual Property Rights

Essential patents

IPRs essential or potentially essential to normative deliverables may have been declared to ETSI. The declarations pertaining to these essential IPRs, if any, are publicly available for **ETSI members and non-members**, and can be found in ETSI SR 000 314: "*Intellectual Property Rights (IPRs); Essential, or potentially Essential, IPRs notified to ETSI in respect of ETSI standards*", which is available from the ETSI Secretariat. Latest updates are available on the ETSI Web server (<https://ipr.etsi.org/>).

Pursuant to the ETSI Directives including the ETSI IPR Policy, no investigation regarding the essentiality of IPRs, including IPR searches, has been carried out by ETSI. No guarantee can be given as to the existence of other IPRs not referenced in ETSI SR 000 314 (or the updates on the ETSI Web server) which are, or may be, or may become, essential to the present document.

Trademarks

The present document may include trademarks and/or tradenames which are asserted and/or registered by their owners. ETSI claims no ownership of these except for any which are indicated as being the property of ETSI, and conveys no right to use or reproduce any trademark and/or tradename. Mention of those trademarks in the present document does not constitute an endorsement by ETSI of products, services or organizations associated with those trademarks.

DECT™, **PLUGTESTS™**, **UMTS™** and the ETSI logo are trademarks of ETSI registered for the benefit of its Members. **3GPP™** and **LTE™** are trademarks of ETSI registered for the benefit of its Members and of the 3GPP Organizational Partners. **oneM2M™** logo is a trademark of ETSI registered for the benefit of its Members and of the oneM2M Partners. **GSM®** and the GSM logo are trademarks registered and owned by the GSM Association.

Legal Notice

This Technical Specification (TS) has been produced by ETSI 3rd Generation Partnership Project (3GPP).

The present document may refer to technical specifications or reports using their 3GPP identities. These shall be interpreted as being references to the corresponding ETSI deliverables.

The cross reference between 3GPP and ETSI identities can be found under <https://webapp.etsi.org/key/queryform.asp>.

Modal verbs terminology

In the present document "**shall**", "**shall not**", "**should**", "**should not**", "**may**", "**need not**", "**will**", "**will not**", "**can**" and "**cannot**" are to be interpreted as described in clause 3.2 of the [ETSI Drafting Rules](#) (Verbal forms for the expression of provisions).

"**must**" and "**must not**" are **NOT** allowed in ETSI deliverables except when used in direct citation.

Contents

Intellectual Property Rights	2
Legal Notice	2
Modal verbs terminology.....	2
Foreword.....	16
1 Scope	18
2 References	18
3 Definitions of terms, symbols and abbreviations	19
3.1 Terms.....	19
3.2 Symbols.....	22
3.3 Abbreviations	23
4 General test conditions and declarations	24
4.1 Measurement uncertainties and test requirements	24
4.1.1 General.....	24
4.1.2 Acceptable uncertainty of Test System.....	26
4.1.2.1 General	26
4.1.2.2 Measurement of transmitter	26
4.1.2.3 Measurement of receiver	27
4.1.2.4 Measurement of performance requirements.....	29
4.1.3 Interpretation of measurement results.....	30
4.2 Requirement reference points.....	31
4.2.1 SAN type 1-H	31
4.2.2 SAN type 1-O, SAN type 2-O.....	31
4.3 Satellite Access Node classes.....	32
4.4 Regional requirements.....	32
4.5 SAN configurations	33
4.5.1 SAN type 1-H transmit configurations	33
4.5.2 SAN type 1-H receive configurations	33
4.5.3 SAN type 1-O and SAN type 2-O transmit configurations	34
4.5.4 SAN type 1-O and SAN type 2-O receive configurations	34
4.5.5 Power supply options.....	34
4.6 Manufacturer declarations	35
4.7 Test configurations	44
4.7.1 General.....	44
4.7.2 Test signal used to build Test Configurations.....	44
4.7.3 NRTC1: Contiguous spectrum operation.....	45
4.7.3.1 NRTC1 generation	45
4.7.3.2 NRTC1 power allocation	45
4.8 Applicability of requirements.....	45
4.8.1 General.....	45
4.8.2 Requirement set applicability	45
4.8.3 Applicability of test configurations for single-band operation	46
4.9 RF channels and test models	47
4.9.1 RF channels	47
4.9.2 Test models	48
4.9.2.1 General	48
4.9.2.2 FR1 test models.....	48
4.9.2.2.1 FR1 test model 1.1 (NR-SAN-FR1-TM1.1).....	49
4.9.2.2.2 FR1 test model 1.2 (NR-SAN-FR1-TM1.2).....	50
4.9.2.2.3 FR1 test model 2 (NR-SAN-FR1-TM2).....	50
4.9.2.2.4 FR1 test model 3.1 (NR-SAN-FR1-TM3.1).....	51
4.9.2.2.5 FR1 test model 3.2 (NR-SAN-FR1-TM3.2).....	51
4.9.2.2.6 FR1 test model 3.3 (NR-SAN-FR1-TM3.3).....	52
4.9.2.3 Data content of Physical channels and Signals for NR-SAN-FR1-TM	53
4.9.2.3.1 PDCCH.....	53

4.9.2.3.2	PDSCH	53
4.9.2.4	FR2 test models.....	54
4.9.2.4.1	FR2 test model 1.1 (NR-SAN-FR2-TM1.1).....	55
4.9.2.4.2	FR2 test model 2 (NR-SAN-FR2-TM2).....	56
4.9.2.4.3	FR2 test model 3.1 (NR-SAN-FR2-TM3.1).....	56
4.9.2.5	Data content of Physical channels and Signals for NR-SAN-FR2-TM	57
4.9.2.5.1	PDCCH.....	57
4.9.2.5.2	PDSCH	57
4.10	Void.....	58
4.11	Reference coordinate system.....	58
4.12	Format and interpretation of tests.....	59
5	Operating bands and channel arrangement.....	60
6	Conducted transmitter characteristics	60
6.1	General	60
6.1.1	SAN type 1-H	60
6.2	Satellite Access Node output power.....	60
6.2.1	Definition and applicability	60
6.2.2	Minimum requirement	61
6.2.3	Test purpose.....	61
6.2.4	Method of test.....	61
6.2.4.1	Initial conditions	61
6.2.4.2	Procedure	61
6.2.5	Test requirement	61
6.3	Output power dynamics.....	62
6.3.1	General.....	62
6.3.2	RE power control dynamic range	62
6.3.2.1	Definition and applicability.....	62
6.3.2.2	Minimum requirement	62
6.3.2.3	Test purpose	62
6.3.3	Total power dynamic range	62
6.3.3.1	Definition and applicability.....	62
6.3.3.2	Minimum requirement	62
6.3.3.3	Test purpose	62
6.3.3.4	Method of test	62
6.3.3.4.1	Initial conditions.....	62
6.3.3.4.2	Procedure.....	63
6.3.3.5	Test requirements.....	63
6.4	Transmit ON/OFF power	63
6.5	Transmitted signal quality	64
6.5.1	General.....	64
6.5.2	Frequency error.....	64
6.5.2.1	Definition and applicability.....	64
6.5.2.2	Minimum Requirement	64
6.5.2.3	Test purpose	64
6.5.2.4	Method of test	64
6.5.2.5	Test Requirements.....	64
6.5.3	Modulation quality.....	64
6.5.3.1	Definition and applicability.....	64
6.5.3.2	Minimum Requirement	64
6.5.3.3	Test purpose	64
6.5.3.4	Method of test	65
6.5.3.4.1	Initial conditions.....	65
6.5.3.4.2	Procedure.....	65
6.5.3.5	Test requirements.....	65
6.6	Unwanted emissions.....	66
6.6.1	General.....	66
6.6.2	Occupied bandwidth	67
6.6.2.1	Definition and applicability.....	67
6.6.2.2	Minimum requirements	67
6.6.2.3	Test purpose	67

6.6.2.4	Method of test	67
6.6.2.4.1	Initial conditions	67
6.6.2.4.2	Procedure	67
6.6.2.5	Test requirements	68
6.6.3	Adjacent Channel Leakage Power Ratio (ACLR)	68
6.6.3.1	Definition and applicability	68
6.6.3.2	Minimum requirement	68
6.6.3.3	Test purpose	68
6.6.3.4	Method of test	68
6.6.3.4.1	Initial conditions	68
6.6.3.4.2	Procedure	69
6.6.3.5	Test requirements	69
6.6.3.5.1	General requirements	69
6.6.3.5.2	Limits	69
6.6.4	Out-of-band emissions	70
6.6.4.1	Definition and applicability	70
6.6.4.2	Minimum requirement	70
6.6.4.3	Test purpose	70
6.6.4.4	Method of test	70
6.6.4.4.1	Initial conditions	70
6.6.4.4.2	Procedure	71
6.6.4.5	Test requirements	71
6.6.5	Transmitter spurious emissions	71
6.6.5.1	Definition and applicability	71
6.6.5.2	Minimum requirement	72
6.6.5.3	Test purpose	72
6.6.5.4	Method of test	72
6.6.5.4.1	Initial conditions	72
6.6.5.4.2	Procedure	72
6.6.5.5	Test requirements	73
6.6.5.5.1	Basic limits	73
6.7	Transmitter intermodulation	73
7	Conducted receiver characteristics	73
7.1	General	73
7.2	Reference sensitivity level	74
7.2.1	Definition and applicability	74
7.2.2	Minimum requirement	74
7.2.3	Test purpose	74
7.2.4	Method of test	74
7.2.4.1	Initial conditions	74
7.2.4.2	Procedure	74
7.2.5	Test requirements	75
7.3	Dynamic range	75
7.3.1	Definition and applicability	75
7.3.2	Minimum requirement	75
7.3.3	Test purpose	75
7.3.4	Method of test	76
7.3.4.1	Initial conditions	76
7.3.4.2	Procedure	76
7.3.5	Test requirements	76
7.4	In-band sensitivity and blocking	77
7.4.1	Adjacent Channel Selectivity (ACS)	77
7.4.1.1	Definition and applicability	77
7.4.1.2	Minimum requirement	77
7.4.1.3	Test purpose	77
7.4.1.4	Method of test	77
7.4.1.4.1	Initial conditions	77
7.4.1.4.2	Procedure	77
7.4.1.5	Test requirements	77
7.4.2	In-band blocking	78
7.5	Out-of-band blocking	78

7.5.1	Definition and applicability	78
7.5.2	Minimum requirement	78
7.5.3	Test purpose.....	78
7.5.4	Method of test	79
7.5.4.1	Initial conditions	79
7.5.4.2	Procedure	79
7.5.5	Test requirements.....	79
7.6	Receiver spurious emission	80
7.7	Receiver intermodulation	80
7.8	In-channel selectivity	80
7.8.1	Definition and applicability	80
7.8.2	Minimum requirement	80
7.8.3	Test purpose.....	80
7.8.4	Method of test	80
7.8.4.1	Initial conditions	80
7.8.4.2	Procedure	80
7.8.5	Test requirements.....	80
8	Conducted performance characteristics.....	82
8.1	General	82
8.1.1	Scope and definitions.....	82
8.1.2	Applicability rule	82
8.1.2.1	General	82
8.1.2.2	Applicability of PUSCH performance requirements.....	82
8.1.2.2.1	Applicability of requirements for different subcarrier spacings	82
8.1.2.2.2	Applicability of requirements for different channel bandwidths	82
8.1.2.2.3	Applicability of requirements for different configurations.....	83
8.1.2.2.4	Applicability of PUSCH repetition type A requirements	83
8.1.2.3	Applicability of PUCCH performance requirements	83
8.1.2.3.1	Applicability of requirements for different formats.....	83
8.1.2.3.2	Applicability of requirements for different subcarrier spacings	83
8.1.2.3.3	Applicability of requirements for different channel bandwidths	83
8.1.2.3.4	Applicability of requirements for different configurations.....	83
8.1.2.3.5	Applicability of requirements for multi-slot PUCCH.....	83
8.1.2.4	Applicability of PRACH performance requirements	83
8.1.2.4.1	Applicability of requirements for different formats.....	83
8.1.2.4.2	Applicability of requirements for different subcarrier spacings	84
8.1.2.4.3	Applicability of requirements for different channel bandwidths	84
8.1.2.5	Applicability of performance requirements for PUSCH with DM-RS bundling	84
8.1.2.5.1	Applicability of requirements for different subcarrier spacings	84
8.1.2.5.2	Applicability of requirements for different receiver antenna connectors	84
8.2	Performance requirements for PUSCH	84
8.2.1	Performance requirements for PUSCH with transform precoding disabled	84
8.2.1.1	Definition and applicability.....	84
8.2.1.2	Minimum Requirement	84
8.2.1.3	Test Purpose	84
8.2.1.4	Method of test	84
8.2.1.4.1	Initial Conditions	84
8.2.1.4.2	Procedure.....	85
8.2.1.5	Test Requirement	85
8.2.2	Performance requirements for PUSCH with transform precoding enabled	87
8.2.2.1	Definition and applicability.....	87
8.2.2.2	Minimum Requirement	87
8.2.2.3	Test Purpose	87
8.2.2.4	Method of test	87
8.2.2.4.1	Initial Conditions	87
8.2.2.4.2	Procedure.....	87
8.2.2.5	Test Requirement	88
8.2.3	Performance requirements for UL timing adjustment.....	89
8.2.3.1	Definition and applicability.....	89
8.2.3.2	Minimum Requirement	89
8.2.3.3	Test Purpose	90

8.2.3.4	Method of test	90
8.2.3.4.1	Initial Conditions	90
8.2.3.4.2	Procedure.....	90
8.2.3.5	Test Requirement for Normal Mode	91
8.2.4	Performance requirements for PUSCH repetition Type A.....	92
8.2.4.1	Definition and applicability.....	92
8.2.4.2	Minimum Requirement	92
8.2.4.3	Test Purpose	92
8.2.4.4	Method of test	92
8.2.4.4.1	Initial Conditions	92
8.2.4.4.2	Procedure.....	93
8.2.4.5	Test Requirement	93
8.2.5	Performance requirements for PUSCH with DMRS bundling	94
8.2.5.1	Definition and applicability.....	94
8.2.5.2	Minimum Requirement	94
8.2.5.3	Test Purpose	95
8.2.5.4	Method of test	95
8.2.5.4.1	Initial Conditions	95
8.2.5.4.2	Procedure.....	95
8.2.5.5	Test Requirement	96
8.3	Performance requirements for PUCCH.....	97
8.3.1	Performance requirements for PUCCH format 0.....	97
8.3.1.1	Definition and applicability.....	97
8.3.1.2	Minimum Requirement	98
8.3.1.3	Test purpose	98
8.3.1.4	Method of test	98
8.3.1.4.1	Initial conditions	98
8.3.1.4.2	Procedure.....	98
8.3.1.5	Test Requirement	99
8.3.2	Performance requirements for PUCCH format 1	99
8.3.2.1	NACK to ACK detection	99
8.3.2.1.1	Definition and applicability.....	99
8.3.2.1.2	Minimum Requirement	99
8.3.2.1.3	Test purpose	100
8.3.2.1.4	Method of test.....	100
8.3.2.1.4.1	Initial Conditions	100
8.3.2.1.4.2	Procedure	100
8.3.2.1.5	Test Requirement.....	101
8.3.2.2	ACK missed detection.....	101
8.3.2.2.1	Definition and applicability	101
8.3.2.2.2	Minimum Requirement	101
8.3.2.2.3	Test purpose	101
8.3.2.2.4	Method of test.....	101
8.3.2.2.4.1	Initial Conditions	101
8.3.2.2.4.2	Procedure	102
8.3.2.2.5	Test Requirement.....	102
8.3.3	Performance requirements for PUCCH format 2.....	103
8.3.3.1	ACK missed detection.....	103
8.3.3.1.1	Definition and applicability	103
8.3.3.1.2	Minimum requirements	103
8.3.3.1.3	Test purpose	103
8.3.3.1.4	Method of test.....	103
8.3.3.1.4.1	Initial Condition	103
8.3.3.1.4.2	Procedure	103
8.3.3.1.5	Test requirements	104
8.3.3.2	UCI BLER performance requirements.....	105
8.3.3.2.1	Definition and applicability	105
8.3.3.2.2	Minimum Requirement	105
8.3.3.2.3	Test purpose	105
8.3.3.2.4	Method of test.....	105
8.3.3.2.4.1	Initial Condition	105
8.3.3.2.4.2	Procedure	105

8.3.3.2.5	Test requirements	106
8.3.4	Performance requirements for PUCCH format 3	106
8.3.4.1	Definition and applicability	106
8.3.4.2	Minimum requirement	107
8.3.4.3	Test purpose	107
8.3.4.4	Method of test	107
8.3.4.4.1	Initial conditions	107
8.3.4.4.2	Procedure	107
8.3.4.5	Test requirement	108
8.3.5	Performance requirements for PUCCH format 4	108
8.3.5.1	Definition and applicability	108
8.3.5.2	Minimum requirement	108
8.3.5.3	Test purpose	108
8.3.5.4	Method of test	109
8.3.5.4.1	Initial conditions	109
8.3.5.4.2	Procedure	109
8.3.5.5	Test requirement	110
8.3.6	Performance requirements for multi-slot PUCCH	110
8.3.6.1	Performance requirements for multi-slot PUCCH format 1	110
8.3.6.1.1	NACK to ACK detection	110
8.3.6.1.1.1	Definition and applicability	110
8.3.6.1.1.2	Minimum Requirement	110
8.3.6.1.1.3	Test purpose	110
8.3.6.1.1.4	Method of test	111
8.3.6.1.1.4.1	Initial conditions	111
8.3.6.1.1.4.2	Procedure	111
8.3.6.1.1.5	Test Requirement	111
8.3.6.1.2	ACK missed detection	112
8.3.6.1.2.1	Definition and applicability	112
8.3.6.1.2.2	Minimum Requirement	112
8.3.6.1.2.3	Test purpose	112
8.3.6.1.2.4	Method of test	112
8.3.6.1.2.4.1	Initial conditions	112
8.3.6.1.2.4.2	Procedure	112
8.3.6.1.2.5	Test Requirement	113
8.4	Performance requirements for PRACH	114
8.4.1	PRACH false alarm probability and missed detection	114
8.4.1.1	Definition and applicability	114
8.4.1.2	Minimum requirement	114
8.4.1.3	Test purpose	114
8.4.1.4	Method of test	114
8.4.1.4.1	Initial conditions	114
8.4.1.4.2	Procedure	115
8.4.1.5	Test requirement for Normal Mode	116
9	Radiated transmitter characteristics	117
9.1	General	117
9.2	Radiated transmit power	117
9.2.1	Definition and applicability	117
9.2.2	Minimum requirement	117
9.2.3	Test purpose	117
9.2.4	Method of test	117
9.2.4.1	Initial conditions	117
9.2.4.2	Procedure	118
9.2.5	Test requirement	118
9.3	OTA SAN output power	118
9.3.1	Definition and applicability	118
9.3.2	Minimum requirement	118
9.3.3	Test purpose	119
9.3.4	Method of test	119
9.3.4.1	Initial conditions	119
9.3.4.2	Procedure	119

9.3.5	Test requirement	119
9.3.5.1	SAN type 1-O	119
9.3.5.2	SAN type 2-O	120
9.4	OTA output power dynamics	120
9.4.1	General	120
9.4.2	OTA RE power control dynamic range	120
9.4.2.1	Definition and applicability	120
9.4.2.2	Minimum requirement	120
9.4.2.3	Method of test	120
9.4.3	OTA total power dynamic range	120
9.4.3.1	Definition and applicability	120
9.4.3.2	Minimum requirement	120
9.4.3.3	Test purpose	121
9.4.3.4	Method of test	121
9.4.3.4.1	Initial conditions	121
9.4.3.4.2	Procedure	121
9.4.3.5	Test requirement	122
9.4.3.5.1	SAN type 1-O	122
9.4.3.5.2	SAN type 2-O	122
9.5	OTA transmit ON/OFF power	122
9.6	OTA transmitted signal quality	123
9.6.1	General	123
9.6.2	OTA frequency error	123
9.6.2.1	Definition and applicability	123
9.6.2.2	Minimum Requirement	123
9.6.2.3	Test purpose	123
9.6.2.4	Method of test	123
9.6.2.4.1	Initial conditions	123
9.6.2.5	Test Requirements	123
9.6.3	OTA modulation quality	123
9.6.3.1	Definition and applicability	123
9.6.3.2	Minimum Requirement	123
9.6.3.3	Test purpose	124
9.6.3.4	Method of test	124
9.6.3.4.1	Initial conditions	124
9.6.3.4.2	Procedure	124
9.6.3.5	Test requirements	125
9.6.3.5.1	SAN type 1-O	125
9.6.3.5.2	SAN type 2-O	126
9.7	OTA unwanted emissions	127
9.7.1	General	127
9.7.2	OTA occupied bandwidth	127
9.7.2.1	General	127
9.7.2.2	Minimum requirement	127
9.7.2.3	Test purpose	127
9.7.2.4	Method of test	128
9.7.2.4.1	Initial conditions	128
9.7.2.4.2	Procedure	128
9.7.2.5	Test requirement	129
9.7.3	OTA Adjacent Channel Leakage Power Ratio (ACLR)	129
9.7.3.1	Definition and applicability	129
9.7.3.2	Minimum requirement	129
9.7.3.3	Test purpose	129
9.7.3.4	Method of test	129
9.7.3.4.1	Initial conditions	129
9.7.3.4.2	Procedure	129
9.7.3.5	Test requirements	130
9.7.3.5.1	SAN type 1-O	130
9.7.3.5.2	SAN type 2-O	131
9.7.4	OTA out-of-band emissions	132
9.7.4.1	Definition and applicability	132
9.7.4.2	Minimum requirement	132

9.7.4.3	Test purpose	132
9.7.4.4	Method of test	132
9.7.4.4.1	Initial conditions	132
9.7.4.4.2	Procedure.....	132
9.7.4.5	Test requirements.....	133
9.7.5	OTA transmitter spurious emissions.....	133
9.7.5.1	General	133
9.7.5.2	General OTA transmitter spurious emissions requirements.....	134
9.7.5.2.1	Definition and applicability	134
9.7.5.2.2	Minimum requirement.....	134
9.7.5.2.3	Test purpose	134
9.7.5.2.4	Method of test.....	134
9.7.5.2.4.1	Initial conditions	134
9.7.5.2.4.2	Procedure	135
9.7.5.2.5	Test requirement	135
9.7.5.2.5.1	Test requirement for SAN type 1-O.....	135
9.7.5.2.5.2	Test requirement for <i>SAN type 2-O</i>	136
9.8	OTA transmitter intermodulation	136
10	Radiated receiver characteristic.....	136
10.1	General	136
10.2	OTA sensitivity	137
10.2.1	Definition and applicability	137
10.2.2	Minimum requirement	138
10.2.3	Test Purpose.....	138
10.2.4	Method of test	138
10.2.4.1	Initial conditions	138
10.2.4.2	Procedure	138
10.2.5	Test requirements.....	139
10.2.5.1	General	139
10.2.5.2	Test requirements for <i>SAN type 1-H</i> and <i>SAN type 1-O</i>	139
10.3	OTA reference sensitivity level.....	139
10.3.1	Definition and applicability	139
10.3.2	Minimum requirement	139
10.3.3	Test Purpose.....	139
10.3.4	Method of test	140
10.3.4.1	Initial conditions	140
10.3.4.2	Procedure	140
10.3.5	Test requirements.....	140
10.3.5.1	General	140
10.3.5.2	Test requirements for <i>SAN type 1-O</i>	140
10.3.5.3	Test requirements for <i>SAN type 2-O</i>	141
10.4	OTA dynamic range	142
10.4.1	Definition and applicability	142
10.4.2	Minimum requirement	142
10.4.3	Test purpose.....	142
10.4.4	Method of test	142
10.4.4.1	Initial conditions	142
10.4.4.2	Procedure	142
10.4.5	Test requirement	143
10.4.5.1	General	143
10.4.5.2	Test requirements for <i>SAN type 1-O</i>	143
10.5	OTA in-band selectivity and blocking.....	144
10.5.1	OTA adjacent channel selectivity	144
10.5.1.1	Definition and applicability.....	144
10.5.1.2	Minimum requirement	144
10.5.1.3	Test purpose	144
10.5.1.4	Method of test	144
10.5.1.4.1	Initial conditions	144
10.5.1.4.2	Procedure.....	145
10.5.1.5	Test requirement	145
10.5.1.5.1	General	145

10.5.1.5.2	Test requirements for <i>SAN type 1-O</i>	145
10.5.1.5.3	Test requirements for <i>SAN type 2-O</i>	146
10.5.2	OTA in-band blocking	147
10.6	OTA out-of-band blocking	147
10.6.1	Definition and applicability	147
10.6.2	Minimum requirement	147
10.6.3	Test purpose	147
10.6.4	Method of test	147
10.6.4.1	Initial conditions	147
10.6.4.2	Procedure	148
10.6.5	Test requirements for <i>SAN type 1-O</i>	148
10.6.6	Test requirements for <i>SAN type 2-O</i>	149
10.7	OTA receiver spurious emissions	149
10.8	OTA receiver intermodulation	149
10.9	OTA in-channel selectivity	150
10.9.1	Definition and applicability	150
10.9.2	Minimum requirement	150
10.9.3	Test purpose	150
10.9.4	Method of test	150
10.9.4.1	Initial conditions	150
10.9.4.2	Procedure	150
10.9.5	Test requirement	151
10.9.5.1	<i>SAN type 1-O</i>	151
10.9.5.2	<i>SAN type 2-O</i>	152
11	Radiated performance requirements	153
11.1	General	153
11.1.1	Scope and definitions	153
11.1.2	OTA demodulation branches	153
11.1.3	Applicability rule	154
11.1.3.1	General	154
11.1.3.2	Applicability of PUSCH performance requirements	154
11.1.3.2.1	Applicability of requirements for different subcarrier spacings	154
11.1.3.2.2	Applicability of requirements for different channel bandwidths	154
11.1.3.2.3	Applicability of requirements for different configurations	154
11.1.3.2.4	Applicability of PUSCH repetition type A requirements	154
11.1.3.3	Applicability of PUCCH performance requirements	154
11.1.3.3.1	Applicability of requirements for different formats	154
11.1.3.3.2	Applicability of requirements for different subcarrier spacings	154
11.1.3.3.3	Applicability of requirements for different channel bandwidths	154
11.1.3.3.4	Applicability of requirements for different configurations	155
11.1.3.3.5	Applicability of requirements for multi-slot PUCCH	155
11.1.3.4	Applicability of PRACH performance requirements	155
11.1.3.4.1	Applicability of requirements for different formats	155
11.1.3.4.2	Applicability of requirements for different subcarrier spacings	155
11.1.3.4.3	Applicability of requirements for different channel bandwidths	155
11.1.3.5	Applicability of performance requirements for PUSCH with DM-RS bundling	155
11.1.3.5.1	Applicability of requirements for different subcarrier spacings	155
11.1.3.5.2	Applicability of requirements for different receiver antenna connectors	155
11.2	OTA performance requirements for PUSCH	156
11.2.1	Performance requirements for PUSCH with transform precoding disabled	156
11.2.1.1	Definition and applicability	156
11.2.1.2	Minimum Requirement	156
11.2.1.3	Test Purpose	156
11.2.1.4	Method of test	156
11.2.1.4.1	Initial Conditions	156
11.2.1.4.2	Procedure	156
11.2.1.5	Test Requirement	157
11.2.1.6	Test Requirement for <i>SAN type 2-O</i>	159
11.2.2	Performance requirements for PUSCH with transform precoding enabled	159
11.2.2.1	Definition and applicability	159
11.2.2.2	Minimum Requirement	159

11.2.2.3	Test Purpose	159
11.2.2.4	Method of test	160
11.2.2.4.1	Initial Conditions	160
11.2.2.4.2	Procedure.....	160
11.2.2.5	Test Requirement	161
11.2.2.6	Test Requirement for <i>SAN type 2-O</i>	162
11.2.3	Performance requirements for UL timing adjustment.....	163
11.2.3.1	Definition and applicability.....	163
11.2.3.2	Minimum Requirement	163
11.2.3.3	Test Purpose	163
11.2.3.4	Method of test	163
11.2.3.4.1	Initial Conditions	163
11.2.3.4.2	Procedure.....	163
11.2.3.5	Test Requirement	164
11.2.4	Performance requirements for PUSCH repetition Type A.....	165
11.2.4.1	Definition and applicability.....	165
11.2.4.2	Minimum Requirement	165
11.2.4.3	Test Purpose	166
11.2.4.4	Method of test	166
11.2.4.4.1	Initial Conditions	166
11.2.4.4.2	Procedure.....	166
11.2.4.5	Test Requirement	167
11.2.4.6	Test Requirement for <i>SAN type 2-O</i>	168
11.2.5	Performance requirements for PUSCH with DM-RS bundling	168
11.2.5.1	Definition and applicability.....	168
11.2.5.2	Minimum Requirement	169
11.2.5.3	Test purpose	169
11.2.5.4	Method of test	169
11.2.5.4.1	Initial conditions	169
11.2.5.4.2	Procedure.....	169
11.2.5.5	Test Requirement	170
11.2.5.5.1	Test requirement for <i>SAN type 1-O</i>	170
11.3	OTA performance requirements for PUCCH.....	171
11.3.1	Performance requirements for PUCCH format 0.....	171
11.3.1.1	Definition and applicability.....	171
11.3.1.2	Minimum Requirement	171
11.3.1.3	Test purpose	171
11.3.1.4	Method of test	172
11.3.1.4.1	Initial conditions.....	172
11.3.1.4.2	Procedure.....	172
11.3.1.5	Test Requirement	173
11.3.1.5.1	Test requirement for <i>SAN type 1-O</i>	173
11.3.1.5.2	Test requirement for <i>SAN type 2-O</i>	173
11.3.2	Performance requirements for PUCCH format 1	174
11.3.2.1	NACK to ACK detection	174
11.3.2.1.1	Definition and applicability	174
11.3.2.1.2	Minimum Requirement	174
11.3.2.1.3	Test purpose	174
11.3.2.1.4	Method of test.....	174
11.3.2.1.4.1	Initial Conditions	174
11.3.2.1.4.2	Procedure	174
11.3.2.1.5	Test Requirement.....	176
11.3.2.2	ACK missed detection.....	176
11.3.2.2.1	Definition and applicability	176
11.3.2.2.2	Minimum Requirement	176
11.3.2.2.3	Test purpose	177
11.3.2.2.4	Method of test.....	177
11.3.2.2.4.1	Initial Conditions	177
11.3.2.2.4.2	Procedure	177
11.3.2.2.5	Test Requirement.....	178
11.3.3	Performance requirements for PUCCH format 2.....	179
11.3.3.1	ACK missed detection performance requirements	179

11.3.3.1.1	Definition and applicability	179
11.3.3.1.2	Minimum Requirement	179
11.3.3.1.3	Test Purpose	179
11.3.3.1.4	Method of test.....	179
11.3.3.1.4.1	Initial conditions	179
11.3.3.1.4.2	Procedure	179
11.3.3.1.5	Test requirement	181
11.3.3.2	UCI BLER performance requirements.....	181
11.3.3.2.1	Definition and applicability	181
11.3.3.2.2	Minimum Requirement	181
11.3.3.2.3	Test Purpose	181
11.3.3.2.4	Method of test.....	182
11.3.3.2.4.1	Initial conditions	182
11.3.3.2.4.2	Procedure	182
11.3.3.2.5	Test requirement	183
11.3.4	Performance requirements for PUCCH format 3.....	184
11.3.4.1	Definition and applicability.....	184
11.3.4.2	Minimum requirement	184
11.3.4.3	Test purpose	184
11.3.4.4	Method of test	184
11.3.4.4.1	Initial conditions	184
11.3.4.4.2	Procedure.....	184
11.3.4.5	Test requirement	185
11.3.4.5.1	Test requirement for <i>SAN type 1-O</i>	185
11.3.4.5.2	Test requirement for <i>SAN type 2-O</i>	186
11.3.5	Performance requirements for PUCCH format 4.....	186
11.3.5.1	Definition and applicability.....	186
11.3.5.2	Minimum requirement	186
11.3.5.3	Test purpose	186
11.3.5.4	Method of test	186
11.3.5.4.1	Initial conditions	186
11.3.5.4.2	Procedure.....	187
11.3.5.5	Test requirement	188
11.3.5.5.1	Test requirement for <i>SAN type 1-O</i>	188
11.3.5.5.2	Test requirement for <i>SAN type 2-O</i>	188
11.3.6	Performance requirements for multi-slot PUCCH format	189
11.3.6.1	Performance requirements for multi-slot PUCCH format 1.....	189
11.3.6.1.1	NACK to ACK detection.....	189
11.3.6.1.1.1	Definition and applicability	189
11.3.6.1.1.2	Minimum Requirement.....	189
11.3.6.1.1.3	Test purpose.....	189
11.3.6.1.1.4	Method of test	189
11.3.6.1.1.4.1	Initial conditions.....	189
11.3.6.1.1.4.2	Procedure.....	189
11.3.6.1.1.5	Test Requirement.....	190
11.3.6.1.2	ACK missed detection.....	191
11.3.6.1.2.1	Definition and applicability	191
11.3.6.1.2.2	Minimum Requirement.....	191
11.3.6.1.2.3	Test purpose.....	191
11.3.6.1.2.4	Method of test	191
11.3.6.1.2.4.1	Initial Conditions.....	191
11.3.6.1.2.4.2	Procedure.....	191
11.3.6.1.2.5	Test Requirement.....	192
11.4	OTA performance requirements for PRACH	193
11.4.1	PRACH false alarm probability and missed detection.....	193
11.4.1.1	Definition and applicability.....	193
11.4.1.2	Minimum requirement	193
11.4.1.3	Test purpose	193
11.4.1.4	Method of test	194
11.4.1.4.1	Initial conditions	194
11.4.1.4.2	Procedure.....	194
11.4.1.5	Test requirement	195

11.4.1.5.1	Test requirement for SAN <i>type 1-O</i>	195
11.4.1.5.2	Test requirement for SAN <i>type 2-O</i>	196
Annex A (normative): Reference measurement channel.....		197
A.1	Fixed Reference Channels for RF Rx requirement (QPSK, R=1/3)	197
A.2	Fixed Reference Channels for dynamic range (16QAM, R=2/3).....	198
A.3	Fixed Reference Channels for performance requirements (QPSK, R=308/1024)	198
A.4	PRACH test preambles.....	201
A.5	Fixed Reference Channels for performance requirements (QPSK, R=193/1024)	202
A.6	Fixed Reference Channels for performance requirements (16QAM, R=434/1024)	203
Annex B (informative): Environmental requirements for the SAN equipment		204
B.1	General	204
B.2	Normal test environment	204
B.2.1	Normal test environment for SPRF	204
B.2.2	Normal test environment for SAN terrestrial equipment.....	204
B.3	Void.....	205
B.4	Vibration.....	205
B.5	Measurement of test environment	205
Annex C (informative): Test tolerances and derivation of test requirements.....		206
C.1	Measurement of transmitter.....	206
C.2	Measurement of receiver	208
C.3	Measurement of performance requirements	209
Annex D (informative): Measurement system set-up		212
D.1	SAN type 1-H transmitter.....	212
D.1.1	SAN output power, output power dynamics, frequency error, EVM, unwanted emissions for SAN type 1-H.....	212
D.1.2	Transmitter intermodulation for SAN type 1-H	213
D.1.3	Transmitter spurious emissions for SAN type 1-H.....	213
D.1.4	Time alignment error for <i>SAN type 1-H</i>	214
D.2	SAN type 1-H receiver	214
D.2.1	Reference sensitivity level for SAN type 1-H	214
D.2.2	Receiver dynamic range for SAN type 1-H.....	215
D.2.3	Receiver adjacent channel selectivity and narrowband blocking for SAN type 1-H.....	215
D.2.4	Receiver spurious emissions.....	215
D.2.5	Receiver In-channel selectivity for SAN type 1-H.....	216
D.2.6	Receiver intermodulation for SAN type 1-H.....	216
D.3	<i>SAN type 1-H, SAN type 1-O and SAN type 2-O</i> transmitter	216
D.3.1	Radiated transmit power, output power, output power dynamics, transmitted signal quality, OTA unwanted emissions, OTA transmitter spurious emissions	217
D.4	<i>SAN type 1-H, SAN type 1-O and SAN type 2-O</i> receiver.....	217
D.4.1	OTA sensitivity and OTA reference sensitivity level.....	218
D.4.2	OTA dynamic range, OTA ACS, OTA ICS	218
D.4.3	OTA out-of-band blocking	219
D.5	Void.....	219
D.6	SAN type 1-H performance requirements	220
D.6.1	Performance requirements for PUSCH, single user PUCCH, PRACH on single antenna port in multipath fading conditions	220

D.6.2	Performance requirements for PUSCH and PRACH in static conditions	221
D.6.3	Performance requirements for UL timing adjustment	222
D.7	SAN type 1-O and 2-O performance requirements	222
Annex E (normative):	Characteristic of interfering signal	223
Annex F (normative):	Void	224
Annex G (normative):	Propagation conditions.....	225
G.1	Static propagation condition.....	226
G.2	Multi-path fading propagation conditions	226
G.2.1	Delay profiles	226
G.2.1.1	Delay profiles for FR1-NTN.....	227
G.2.1.2	Delay profiles for FR2-NTN.....	227
G.2.2	Combinations of channel model parameters	227
G.2.3	MIMO channel correlation matrices.....	228
G.2.3.1	MIMO correlation matrices using Uniform Linear Array	228
G.2.3.1.1	Definition of MIMO correlation matrices	228
G.2.3.1.2	MIMO correlation matrices at high, medium and low level	229
G.3	Moving propagation conditions.....	229
Annex H (normative):	In-channel Tx test	231
H.1	General	231
H.2	Basic principles	231
H.2.1	Output signal of the TX under test	231
H.2.2	Ideal signal	231
H.2.3	Measurement results.....	232
H.2.4	Measurement points	232
H.3	Pre-FFT minimization process	233
H.4	Timing of the FFT window	233
H.5	Resource element TX power	234
H.6	Post-FFT equalisation.....	235
H.7	EVM.....	236
H.7.0	General	236
H.7.1	Averaged EVM (FDD).....	237
Annex I (informative):	Change history	238
History		243

Foreword

This Technical Specification has been produced by the 3rd Generation Partnership Project (3GPP).

The contents of the present document are subject to continuing work within the TSG and may change following formal TSG approval. Should the TSG modify the contents of the present document, it will be re-released by the TSG with an identifying change of release date and an increase in version number as follows:

Version x.y.z

where:

- x the first digit:
 - 1 presented to TSG for information;
 - 2 presented to TSG for approval;
 - 3 or greater indicates TSG approved document under change control.
- y the second digit is incremented for all changes of substance, i.e. technical enhancements, corrections, updates, etc.
- z the third digit is incremented when editorial only changes have been incorporated in the document.

In the present document, modal verbs have the following meanings:

- shall** indicates a mandatory requirement to do something
- shall not** indicates an interdiction (prohibition) to do something

The constructions "shall" and "shall not" are confined to the context of normative provisions, and do not appear in Technical Reports.

The constructions "must" and "must not" are not used as substitutes for "shall" and "shall not". Their use is avoided insofar as possible, and they are not used in a normative context except in a direct citation from an external, referenced, non-3GPP document, or so as to maintain continuity of style when extending or modifying the provisions of such a referenced document.

- should** indicates a recommendation to do something
- should not** indicates a recommendation not to do something
- may** indicates permission to do something
- need not** indicates permission not to do something

The construction "may not" is ambiguous and is not used in normative elements. The unambiguous constructions "might not" or "shall not" are used instead, depending upon the meaning intended.

- can** indicates that something is possible
- cannot** indicates that something is impossible

The constructions "can" and "cannot" are not substitutes for "may" and "need not".

- will** indicates that something is certain or expected to happen as a result of action taken by an agency the behaviour of which is outside the scope of the present document
- will not** indicates that something is certain or expected not to happen as a result of action taken by an agency the behaviour of which is outside the scope of the present document
- might** indicates a likelihood that something will happen as a result of action taken by some agency the behaviour of which is outside the scope of the present document

might not indicates a likelihood that something will not happen as a result of action taken by some agency the behaviour of which is outside the scope of the present document

In addition:

is (or any other verb in the indicative mood) indicates a statement of fact

is not (or any other negative verb in the indicative mood) indicates a statement of fact

The constructions "is" and "is not" do not indicate requirements.

1 Scope

The present document specifies the Radio Frequency (RF) test methods and conformance requirements for NR *Satellite Access Node (SAN) type 1-H, SAN type 1-O and SAN type 2-O*. These have been derived from and are consistent with the conducted requirements for SAN type 1-H and radiated requirement for *SAN type 1-H, SAN type 1-O and SAN type 2-O* in NR SAN specification defined in TS 38.108 [2].

2 References

The following documents contain provisions which, through reference in this text, constitute provisions of the present document.

- References are either specific (identified by date of publication, edition number, version number, etc.) or non-specific.
- For a specific reference, subsequent revisions do not apply.
- For a non-specific reference, the latest version applies. In the case of a reference to a 3GPP document (including a GSM document), a non-specific reference implicitly refers to the latest version of that document *in the same Release as the present document*.

- [1] 3GPP TR 21.905: "Vocabulary for 3GPP Specifications".
- [2] 3GPP TS 38.108: "Satellite Access Node radio transmission and reception"
- [3] ITU-R Recommendation M.1545, "Measurement uncertainty as it applies to test limits for the terrestrial component of International Mobile Telecommunications-2000"
- [4] ITU-R Recommendation SM.329: "Unwanted emissions in the spurious domain"
- [5] ITU-R Recommendation SM.328: "Spectra and bandwidth of emissions"
- [6] ITU-R Recommendation SM.1541-6: "Unwanted emissions in the out-of-band domain".
- [7] 3GPP TS 38.212: "NR; Multiplexing and channel coding"
- [8] 3GPP TS 38.211: "NR; Physical channels and modulation"
- [9] 3GPP TS 38.214: "NR; Physical layer procedures for data"
- [10] ITU-T Recommendation O.150, "Equipment for the measurement of digital and analogue/digital parameters"
- [11] 3GPP TR 38.901: "Study on channel model for frequencies from 0.5 to 100 GHz"
- [12] 3GPP TS 38.101-5: "NR; User Equipment (UE) radio transmission and reception; Part 5: Satellite access Radio Frequency (RF) and performance requirements"
- [13] 3GPP TR 37.941: "Radio Frequency (RF) conformance testing background for radiated Base Station (BS) requirements"
- [14] IEC 60 068-2-1 (2007): "Environmental testing - Part 2: Tests. Tests A: Cold"
- [15] IEC 60 068-2-2: (2007): "Environmental testing - Part 2: Tests. Tests B: Dry heat"
- [16] IEC 60 068-2-6: (2007): "Environmental testing - Part 2: Tests - Test Fc: Vibration (sinusoidal)"
- [17] 3GPP TR 38.811: "Study on New Radio (NR) to support non-terrestrial networks (Release 15)"
- [18] 3GPP TS 38.141-2: "NR; Base Station (BS) conformance testing Part 2: Radiated conformance testing"
- [19] IEC 60721-3-3: "Classification of environmental conditions –Part 3-3: Classification of groups of environmental parameters and their severities – Stationary use at weatherprotected locations"

- [20] IEC 60721-3-4: "Classification of environmental conditions - Part 3-4: Classification of groups of environmental parameters and their severities - Stationary use at non-weatherprotected locations"
- [21] IEC 60721-1: "Classification of environmental conditions Part 1: Environmental parameters and their severities"

3 Definitions of terms, symbols and abbreviations

3.1 Terms

For the purposes of the present document, the terms given in TR 21.905 [1] and the following apply. A term defined in the present document takes precedence over the definition of the same term, if any, in TR 21.905 [1].

basic limit: emissions limit relating to the power supplied by a single transmitter to a single antenna transmission line in ITU-R SM.329 [4] used for the formulation of unwanted emission requirements for FR1.

beam: beam (of the antenna) is the main lobe of the radiation pattern of an *antenna array*.

NOTE: For certain *antenna array*, there may be more than one beam.

beam centre direction: direction equal to the geometric centre of the half-power contour of the beam.

beam direction pair: data set consisting of the *beam centre direction* and the related *beam peak direction*.

beam peak direction: direction where the maximum EIRP is found.

beamwidth: beam which has a half-power contour that is essentially elliptical, the half-power beamwidths in the two pattern cuts that respectively contain the major and minor axis of the ellipse.

Channel edge: lowest or highest frequency of the NR carrier, separated by the *SAN channel bandwidth*.

demodulation branch: single input of the *SAN receiver* to the demodulation algorithms.

directional requirement: requirement which is applied in a specific direction within the *OTA coverage range* for the Tx and when the AoA of the incident wave of a received signal is within the *OTA REFSENS RoAoA* or the *minSENS RoAoA* as appropriate for the receiver.

equivalent isotropic radiated power: equivalent power radiated from an isotropic directivity device producing the same field intensity at a point of observation as the field intensity radiated in the direction of the same point of observation by the discussed device.

NOTE: Isotropic directivity is equal in all directions (i.e. 0 dBi).

equivalent isotropic sensitivity: sensitivity for an isotropic directivity device equivalent to the sensitivity of the discussed device exposed to an incoming wave from a defined AoA.

NOTE 1: The sensitivity is the minimum received power level at which specific requirement is met.

NOTE 2: Isotropic directivity is equal in all directions (i.e. 0 dBi).

feeder link: Wireless link between satellite-Gateway and satellite.

Geostationary Earth Orbit: Circular orbit at 35,786 km above the Earth's equator and following the direction of the Earth's rotation. An object in such an orbit has an orbital period equal to the Earth's rotational period and thus appears motionless, at a fixed position in the sky, to ground observers.

Low Earth Orbit: Orbit around the Earth with an altitude between 300 km, and 1500 km.

Highest Carrier: The carrier with the highest carrier frequency transmitted/received in a specified frequency band.

Lowest Carrier: The carrier with the lowest carrier frequency transmitted/received in a specified frequency band.

maximum carrier output power: mean power level measured per carrier at the indicated interface, during the *transmitter ON period* in a specified reference condition.

maximum carrier TRP output power: mean power level measured per RIB during the *transmitter ON period* for a specific carrier in a specified reference condition and corresponding to the declared *rated carrier TRP output power* ($P_{\text{rated,c,TRP}}$).

maximum total output power: mean power level measured within the *operating band* at the indicated interface, during the *transmitter ON period* in a specified reference condition.

maximum total TRP output power: mean power level measured per RIB during the *transmitter ON period* in a specified reference condition and corresponding to the declared *rated total TRP output power* ($P_{\text{rated,t,TRP}}$).

measurement bandwidth: RF bandwidth in which an emission level is specified.

minSENS: the lowest declared EIS value for the OSDD's declared for OTA sensitivity requirement.

minSENS RoAoA: The *reference RoAoA* associated with the OSDD with the lowest declared EIS.

minimum elevation angle: Minimum angle under which the satellite can be seen by a UE.

necessary bandwidth: The width of the frequency band which is just sufficient to ensure the transmission of information at the rate and with the quality required under specified conditions.

non-terrestrial networks: Networks, or segments of networks, using an airborne or space-borne vehicle to embark a transmission equipment relay node or SAN.

operating band: frequency range in which NR operates (paired or unpaired), that is defined with a specific set of technical requirements.

NOTE: The *operating band(s)* for a SAN is declared by the manufacturer according to the designations in tables 5.2-1 and 5.2-2.

OTA coverage range: a common range of directions within which TX OTA requirements that are neither specified in the *OTA peak directions sets* nor as *TRP requirement* are intended to be met.

OTA peak directions set: set(s) of *beam peak directions* within which certain TX OTA requirements are intended to be met, where all *OTA peak directions set(s)* are subsets of the *OTA coverage range*.

NOTE: The *beam peak directions* are related to a corresponding contiguous range or discrete list of *beam centre directions* by the *beam direction pairs* included in the set.

OTA REFSENS RoAoA: the RoAoA determined by the contour defined by the points at which the achieved EIS is 3dB higher than the achieved EIS in the reference direction assuming that for any AoA, the receiver gain is optimized for that AoA.

NOTE: This contour will be related to the average element/sub-array radiation pattern 3dB beamwidth.

OTA sensitivity directions declaration: set of manufacturer declarations comprising at least one set of declared minimum EIS values (with *SAN channel bandwidth*), and related directions over which the EIS applies.

NOTE: All the directions apply to all the EIS values in an OSDD.

polarization match: condition that exists when a plane wave, incident upon an antenna from a given direction, has a polarization that is the same as the receiving polarization of the antenna in that direction.

radiated interface boundary: *operating band* specific radiated requirements reference where the radiated requirements apply.

NOTE: For requirements based on EIRP/EIS, the *radiated interface boundary* is associated to the far-field region.

Radio Bandwidth: frequency difference between the upper edge of the highest used carrier and the lower edge of the lowest used carrier.

rated beam EIRP: For a declared beam and *beam direction pair*, the *rated beam EIRP* level is the maximum power that the SAN is declared to radiate at the associated *beam peak direction* during the *transmitter ON period*.

rated carrier output power: mean power level associated with a particular carrier the manufacturer has declared to be available at the indicated interface, during the *transmitter ON period* in a specified reference condition.

rated carrier TRP output power: mean power level declared by the manufacturer per carrier, for SAN operating in single carrier, multi-carrier, or carrier aggregation configurations that the manufacturer has declared to be available at the RIB during the *transmitter ON period*.

rated total output power: mean power level associated with a particular *operating band* the manufacturer has declared to be available at the indicated interface, during the *transmitter ON period* in a specified reference condition.

rated total TRP output power: mean power level declared by the manufacturer, that the manufacturer has declared to be available at the RIB during the *transmitter ON period*.

reference beam direction pair: declared *beam direction pair*, including reference *beam centre direction* and reference *beam peak direction* where the reference *beam peak direction* is the direction for the intended maximum EIRP within the *OTA peak directions set*.

receiver target: AoA in which reception is performed by SAN.

receiver target redirection range: union of all the *sensitivity RoAoA* achievable through redirecting the *receiver target* related to particular OSDD.

receiver target reference direction: direction inside the *OTA sensitivity directions declaration* declared by the manufacturer for conformance testing. For an OSDD without *receiver target redirection range*, this is a direction inside the *sensitivity RoAoA*.

reference RoAoA: the *sensitivity RoAoA* associated with the *receiver target reference direction* for each OSDD.

requirement set: one of the NR SAN requirement's set.

SAN channel bandwidth: RF bandwidth supporting a single NR RF carrier with the *transmission bandwidth* configured in the uplink or downlink.

NOTE 1: The *SAN channel bandwidth* is measured in MHz and is used as a reference for transmitter and receiver RF requirements.

NOTE 2: It is possible for the SAN to transmit to and/or receive from one or more satellite UE bandwidth parts that are smaller than or equal to the *SAN transmission bandwidth configuration*, in any part of the *SAN transmission bandwidth configuration*.

SAN receiver: composite receiver function of a SAN receiving in an *operating band*.

SAN RF Bandwidth: RF bandwidth in which a SAN transmits and/or receives single or multiple carrier(s) within a supported *operating band*.

NOTE: In single carrier operation, the *SAN RF Bandwidth* is equal to the *SAN channel bandwidth*.

SAN RF Bandwidth edge: frequency of one of the edges of the *SAN RF Bandwidth*.

SAN transmission bandwidth configuration: set of resource blocks located within the *SAN channel bandwidth* which may be used for transmitting or receiving by the SAN.

SAN type 1-H: Satellite Access Node operating at FR1-NTN with a requirement set consisting of conducted requirements defined at individual *TAB connectors* and OTA requirements defined at RIB.

SAN type 1-O: Satellite Access Node operating at FR1-NTN with a requirement set consisting only of OTA requirements defined at the RIB.

SAN type 2-O: Satellite Access Node operating at FR2-NTN with a requirement set consisting only of OTA requirements defined at the RIB.

SAN transponder bandwidth: Total bandwidth of the carrier(s) in operation by one SAN transponder.

NOTE: When the SAN transponder operates one carrier only, the SAN transponder bandwidth is equal to the SAN channel bandwidth of this carrier.

SAN transponder: part of the SAN permitting to receive, channelize and transmit signals within an allocated bandwidth.

satellite: A space-borne vehicle embarking a transparent payload, or a regenerative payload telecommunication transmitter, placed into Low-Earth Orbit (LEO) or Geostationary Earth Orbit (GEO).

Satellite Access Node (SAN): node providing NR user plane and control plane protocol terminations towards NTN satellite capable UE, and connected via the NG interface to the 5GC. It encompasses a transparent payload on board a NTN platform, with satellite-gateway and gNB functions.

satellite-gateway: An earth station or gateway is located at the surface of Earth, and providing sufficient RF power and RF sensitivity for accessing to the satellite.

sensitivity RoAoA: RoAoA within the *OTA sensitivity directions declaration*, within which the declared EIS(s) of an OSDD is intended to be achieved at any instance of time for a specific SAN direction setting.

TAB connector: *transceiver array boundary* connector.

total radiated power: is the total power radiated by the antenna.

NOTE: The *total radiated power* is the power radiating in all direction for two orthogonal polarizations. *Total radiated power* is defined in both the near-field region and the far-field region.

transceiver array boundary: conducted interface between the transceiver unit array and the composite antenna.

transmission bandwidth: RF Bandwidth of an instantaneous transmission from a satellite UE or SAN, measured in resource block units.

3.2 Symbols

For the purposes of the present document, the following symbols apply:

β	Percentage of the mean transmitted power emitted outside the occupied bandwidth on the assigned channel.
BeW_{θ}	The beam width in θ
BeW_{ϕ}	The beam width in ϕ
$BeW_{\theta,REFSENS}$	Beamwidth equivalent to the <i>OTA REFSENS RoAoA</i> in the θ -axis in degrees. Applicable for FR1 only.
$BeW_{\phi,REFSENS}$	Beamwidth equivalent to the <i>OTA REFSENS RoAoA</i> in the ϕ -axis in degrees. Applicable for FR1 only.
BW_{Config}	<i>Transmission bandwidth configuration</i> , where $BW_{Config} = N_{RB} \times SCS \times 12$.
$BW_{Contiguous}$	Contiguous <i>transmission bandwidth</i> , i.e. <i>SAN channel bandwidth</i> for single carrier.
$BW_{GB,low}$	The minimum guard band defined in clause 5.3.3 for lowest assigned component carrier.
$BW_{GB,high}$	The minimum guard band defined in clause 5.3.3 for highest assigned component carrier.
BW_{SAN}	The <i>SAN transponder bandwidth</i>
$BW_{SAN,RF}$	SAN RF channel bandwidth in MHz
Δf	Separation between the <i>channel edge</i> frequency and the nominal -3 dB point of the measuring filter closest to the carrier frequency.
ΔF_{Global}	Global frequency raster granularity.
Δf_{max}	$f_{offset,max}$ minus half of the bandwidth of the measuring filter.
Δf_{OOB}	Maximum offset of the out-of-band boundary from the uplink <i>operating band</i> edge.
$\Delta_{minSENS}$	Difference between conducted reference sensitivity and <i>minSENS</i> .
$\Delta_{OTA,REFSENS}$	Difference between conducted reference sensitivity and <i>OTA REFSENS</i> .
ΔF_{Raster}	Channel raster granularity.
$EIS_{minSENS}$	The EIS declared for the <i>minSENS RoAoA</i> .
$EIS_{REFSENS}$	<i>OTA REFSENS</i> EIS value.
F_C	<i>RF reference frequency</i> on the channel raster, given in table 5.4.2.2-1.
$F_{C,low}$	The F_C of the <i>lowest carrier</i> , expressed in MHz.
$F_{C,high}$	The F_C of the <i>highest carrier</i> , expressed in MHz.
$F_{DL,low}$	The lowest frequency of the downlink <i>operating band</i> .
$F_{DL,high}$	The highest frequency of the downlink <i>operating band</i> .
F_{filter}	Filter centre frequency.
$F_{offset,high}$	Frequency offset from $F_{C,high}$ to the upper <i>SAN RF Bandwidth edge</i> .

$F_{\text{offset,low}}$	Frequency offset from $F_{C,\text{low}}$ to the lower <i>SAN RF Bandwidth edge</i> .
f_{offset}	Separation between the <i>channel edge</i> frequency and the centre of the measuring.
$f_{\text{offset,max}}$	The offset to the frequency Δf_{OBUe} outside the downlink <i>operating band</i> .
F_{REF}	RF reference frequency.
$F_{\text{REF-Offs}}$	Offset used for calculating F_{REF} .
$F_{\text{UL,low}}$	The lowest frequency of the uplink <i>operating band</i> .
$F_{\text{UL,high}}$	The highest frequency of the uplink <i>operating band</i> .
GB_{Channel}	Minimum guard band defined in clause 5.3.3.
n_{PRB}	Physical resource block number.
N_{RB}	<i>Transmission bandwidth configuration</i> , expressed in resource blocks.
N_{REF}	NR Absolute Radio Frequency Channel Number (NR-ARFCN).
$N_{\text{REF-Offs}}$	Offset used for calculating N_{REF} scaling per cell, as calculated in clause 6.1.
$P_{\text{EIRP,N}}$	EIRP level for channel N.
$P_{\text{max,c,TABC}}$	The <i>maximum carrier output power per TAB connector</i> .
$P_{\text{max,c,TRP}}$	<i>Maximum carrier TRP output power</i> measured at the RIB(s), and corresponding to the declared <i>rated carrier TRP output power</i> ($P_{\text{rated,c,TRP}}$).
$P_{\text{max,c,EIRP}}$	The maximum carrier EIRP when the SAN is configured at the maximum rated carrier output TRP ($P_{\text{rated,c,TRP}}$).
$P_{\text{rated,c,sys}}$	$P_{\text{rated,c,sys,GEO}}$ for SAN GEO class or $P_{\text{rated,c,sys,LEO}}$ for SAN LEO class.
$P_{\text{rated,c,sys,GEO}}$	The sum of $P_{\text{rated,c,TABC}}$ for all <i>TAB connectors</i> for a single carrier of the SAN GEO class.
$P_{\text{rated,c,sys,LEO}}$	The sum of $P_{\text{rated,c,TABC}}$ for all <i>TAB connectors</i> for a single carrier of the SAN LEO class.
$P_{\text{rated,c,TABC}}$	$P_{\text{rated,c,TABC,GEO}}$ for SAN GEO class or $P_{\text{rated,c,TABC,LEO}}$ for SAN LEO class.
$P_{\text{rated,c,TABC,GEO}}$	The <i>rated carrier output power per TAB connector</i> of the SAN GEO class.
$P_{\text{rated,c,TABC,LEO}}$	The <i>rated carrier output power per TAB connector</i> of the SAN LEO class.
$P_{\text{rated,c,TRP}}$	<i>Rated carrier TRP output power</i> declared per RIB.
$P_{\text{rated,t,TABC}}$	The <i>rated total output power</i> declared at <i>TAB connector</i> .
$P_{\text{rated,t,TRP}}$	<i>Rated total TRP output power</i> declared per RIB.
$P_{\text{rated,t,sys}}$	The sum of $P_{\text{rated,t,TABC}}$ for all <i>TAB connectors</i> .
P_{REFSENS}	Conducted Reference Sensitivity power level.
SAN_{Channel}	<i>SAN channel bandwidth</i> .
SS_{REF}	SS block reference frequency position.
TRP_{Estimate}	Numerically approximated TRP
TT_{OTA}	Test tolerance for OTA requirements
θ	The angle in the reference coordinate system between the projection of the x/y plane and the radiation vector defined between -90° and 90° . 0° represents the y/z plane. The angle is aligned with the down-tilt angle
ϕ	The angle in the reference coordinate system between the x-axis and the projection of the radiation vector onto the x/y plane defined between -180° and 180°

3.3 Abbreviations

For the purposes of the present document, the abbreviations given in TR 21.905 [1] and the following apply. An abbreviation defined in the present document takes precedence over the definition of the same abbreviation, if any, in TR 21.905 [1].

AA	Antenna Array
AAS	Active Antenna System
ACLR	Adjacent Channel Leakage Ratio
ACS	Adjacent Channel Selectivity
AoA	Angle of Arrival
AWGN	Additive White Gaussian Noise
BW	Bandwidth
CA	Carrier Aggregation
CATR	Compact Antenna Test Range
CP-OFDM	Cyclic Prefix-OFDM
CW	Continuous Wave
DFT-s-OFDM	Discrete Fourier Transform-spread-OFDM
DM-RS	Demodulation Reference Signal
EIRP	Equivalent Isotropic Radiated Power
EIS	Equivalent Isotropic Sensitivity
EUT	Equipment Under Test

EVM	Error Vector Magnitude
FDD	Frequency Division Duplex
FR	Frequency Range
FRC	Fixed Reference Channel
GEO	Geostationary Earth Orbiting
GSCN	Global Synchronization Channel Number
ICS	In-Channel Selectivity
LEO	Low Earth Orbiting
MCS	Modulation and Coding Scheme
NR	New Radio
NR-ARFCN	NR Absolute Radio Frequency Channel Number
NTN	Non-Terrestrial Network
OOB	Out-of-band
OOBE	Out-of-band Emissions
OSDD	OTA Sensitivity Directions Declaration
OTA	Over-The-Air
PRB	Physical Resource Block
PT-RS	Phase Tracking Reference Signal
QAM	Quadrature Amplitude Modulation
RB	Resource Block
RDN	Radio Distribution Network
RE	Resource Element
REFSENS	Reference Sensitivity
RF	Radio Frequency
RIB	Radiated Interface Boundary
RMS	Root Mean Square (value)
RoAoA	Range of Angles of Arrival
RF	Radio Frequency
RX	Receiver
SAN	Satellite Access Node
SCS	Sub-Carrier Spacing
SSB	Synchronization Signal Block
TAB	Transceiver Array Boundary
TRP	Total Radiated Power
TT	Test Tolerance
TX	Transmitter

4 General test conditions and declarations

4.1 Measurement uncertainties and test requirements

4.1.1 General

The requirements of this clause apply to all applicable tests in TS 38.181 (the present document), i.e. to all conducted tests defined in FR1-NTN for *SAN type 1-H*, radiated tests defined in FR1-NTN for *SAN type 1-H* and *SAN type 1-O*, radiated tests defined in FR2-NTN for *SAN Type 2-O*. The frequency ranges FR1-NTN and FR2-NTN are defined in clause 5.1 of TS 38.108 [2].

The minimum requirements are given in TS 38.108 [2]. Test Tolerances for the conducted test requirements (TT) and test Tolerances for the radiated test requirements (TT_{OTA}) explicitly stated in the present document are given in annex C of the present document.

The test tolerances for the radiated test requirements (TT_{OTA}) for SAN were reused from TR 37.941 [13]. Reuse of TR 37.941 [13] TT_{OTA} values for SAN LEO radiated conformance testing is subject to the following conditions:

- EUT suitability to fit OTA chambers considered in TR 37.941 [13], and
- Environmental test conditions assumed for BS testing in TR 37.941 [13].

Reuse of TR 37.941 [13] TT_{OTA} values for SAN GEO radiated conformance testing may not be justified for some products due to too large SAN GEO antenna array dimensions, and required OTA RF chamber size.

Test Tolerances are individually calculated for each test. Test Tolerances are used to relax the minimum requirements to create test requirements.

When a test requirement differs from the corresponding minimum requirement, then the Test Tolerance applied for the test is non-zero. The Test Tolerance for the test and the explanation of how the minimum requirement has been relaxed by the Test Tolerance are given in annex C.

The radiated requirements are classified according to spatial characteristics as shown in table 4.1.1-1 and table 4.1.1-2.

Table 4.1.1-1: Overview of radiated Tx requirements

Tx requirement		Classification	Coverage range		Number of conformance directions
			FR1-NTN	FR2-NTN	
Radiated transmit power		Directional	OTA peak directions set	OTA peak directions set	5
OTA Satellite Access Node output power		TRP	N/A	N/A	See TS 38.141-2 [18], annex I
OTA output power dynamics		Directional	OTA peak directions set	OTA peak directions set	1
OTA modulation quality		Directional	OTA coverage range	OTA coverage range	5
OTA frequency error		Directional	OTA coverage range	OTA coverage range	1
OTA occupied bandwidth		Directional	OTA coverage range	OTA coverage range	1
OTA ACLR		TRP	N/A	N/A	See TS 38.141-2 [18], annex I
OTA out-of-band emissions		TRP	N/A	N/A	See TS 38.141-2 [18], annex I
OTA transmitter spurious emission	General requirement	TRP	N/A		See TS 38.141-2 [18], annex I

NOTE: Directional requirement does not imply one compliance direction only. The directional requirement applies to a single direction at a time.

Table 4.1.1-2: Overview of radiated Rx requirements

Rx requirement		Classification	Applicability levels		Coverage range		Number of conformance directions
			FR1-NTN	FR2-NTN	FR1-NTN	FR2-NTN	
OTA sensitivity		Directional	Minimum EIS	N/A	OSDD	N/A	5
OTA reference sensitivity level		Directional	OTA REFSENS	OTA REFSENS	OTA REFSENS RoAoA	OTA REFSENS RoAoA	5
OTA Dynamic range		Directional	OTA REFSENS	N/A	OTA REFSENS RoAoA	N/A	1
OTA adjacent channel selectivity		Directional	minSENS	OTA REFSENS	minSENS RoAoA	OTA REFSENS RoAoA	1
OTA out-of-band blocking	General requirement	Directional	minSENS	FR2-NTN	minSENS RoAoA	OTA REFSENS RoAoA	1
OTA in-channel selectivity		Directional	minSENS	FR2-NTN	minSENS RoAoA	OTA REFSENS RoAoA	1

NOTE: Directional requirement does not imply one compliance direction only. The directional requirement applies to a single direction at a time.

4.1.2 Acceptable uncertainty of Test System

4.1.2.1 General

The maximum acceptable uncertainty of the Conducted Test System and OTA Test System are specified below for each test defined explicitly in the present specification, where appropriate. The maximum acceptable uncertainty of the Test System for test requirements included by reference is defined in the respective referred test specification.

The Test System shall enable the stimulus signals in the test case to be adjusted to within the specified tolerance and the equipment under test to be measured with an uncertainty not exceeding the specified values. All tolerances and uncertainties are absolute values, and are valid for a confidence level of 95 %, unless otherwise stated.

A confidence level of 95 % is the measurement uncertainty tolerance interval for a specific measurement that contains 95 % of the performance of a population of test equipment.

For conducted RF tests, it should be noted that the uncertainties in clause 4.1.2 apply to the Test System operating into a nominal 50 ohm load and do not include system effects due to mismatch between the EUT and the Test System.

For details on measurement uncertainty budget calculation, measurement methodology description (including calibration and measurement stage for each test range), MU budget format and its contributions, refer to TR 37.941 [13], where MU analyses for the BS radiated testing were captured. The maximum OTA Test System uncertainty for FR1-NTN and FR2-NTN OTA transmitter and receiver tests were reused from BS MU budgets in TR 37.941 [13]. Reuse of TR 37.941 [13] MU values for SAN LEO radiated conformance testing is subject to the following conditions:

- EUT suitability to fit OTA chambers considered in TR 37.941 [13], and
- Environmental test conditions assumed for BS testing in TR 37.941 [13].

Reuse of TR 37.941 [13] TT_{OTA} values for SAN GEO radiated conformance testing may not be justified for some products due to too large SAN GEO antenna array dimensions, and required OTA RF chamber size.

4.1.2.2 Measurement of transmitter

The maximum conducted Test System uncertainty for conducted transmitter tests minimum requirements is given in table 4.1.2.2-1. The maximum OTA Test System uncertainty for OTA transmitter tests minimum requirements is given in table 4.1.2.2-2 for FR1-NTN and in table 4.1.2.2-3 for FR2-NTN.

Table 4.1.2.2-1: Maximum Test System uncertainty for conducted transmitter tests

Clause	Maximum Test System Uncertainty	Derivation of Test System Uncertainty
6.2 SAN output power	± 0.7 dB, $f \leq 3$ GHz	
6.3 Output power dynamics	± 0.4 dB	
6.5.2 Frequency error	± 12 Hz	
6.5.3 EVM	$\pm 1\%$	
6.6.2 Occupied bandwidth	5 MHz, 10 MHz SAN Channel BW: ± 100 kHz 15 MHz, 20 MHz SAN Channel BW: ± 300 kHz	
6.6.3 Adjacent Channel Leakage power Ratio (ACLR)	ACLR BW ≤ 20 MHz: ± 0.8 dB	
6.6.4 Out-of-band emissions	± 1.5 dB, $f \leq 3$ GHz	
6.6.5.5.1.1 Transmitter spurious emissions, Mandatory Requirements	9 kHz $< f \leq 4$ GHz: ± 2.0 dB 4 GHz $< f \leq 15$ GHz: ± 4.0 dB	
6.6.5.5.1.2 Transmitter spurious emissions, Protection of SAN receiver	± 3.0 dB	

Table 4.1.2.2-2: Maximum OTA Test System uncertainty for FR1-NTN OTA transmitter tests

Clause	Maximum OTA Test System uncertainty
9.2 Radiated transmit power	Normal condition: ± 1.1 dB, $f \leq 3$ GHz
9.3 OTA base station output power	± 1.4 dB, $f \leq 3.0$ GHz
9.4.3 OTA total power dynamic range	± 0.4 dB
9.6.2 OTA frequency error	± 12 Hz
9.6.3 OTA modulation quality	± 1 %
9.7.2 OTA occupied bandwidth	± 100 kHz, BWChannel 5 MHz, 10 MHz ± 300 kHz, BWChannel 15 MHz, 20 MHz
9.7.3 OTA ACLR	$f \leq 3.0$ GHz ± 1 dB, BW ≤ 20 MHz
9.7.4 OTA out-of-band emissions	Absolute power ± 1.8 dB, $f \leq 3.0$ GHz
9.7.5.2 OTA transmitter spurious emissions, mandatory requirements	± 2.3 dB, 30 MHz $< f \leq 6$ GHz ± 4.2 dB, 6 GHz $< f \leq 15$ GHz
NOTE: Test system uncertainty values are applicable for normal condition unless otherwise stated.	

Table 4.1.2.2-3: Maximum OTA Test System uncertainty for FR2-NTN OTA transmitter tests

Clause	Maximum OTA Test System uncertainty
9.2 Radiated transmit power	Normal condition: [± 1.7] dB, 17.3 GHz $\leq f \leq 20.2$ GHz
9.3 OTA base station output power	[± 2.1] dB, 17.3 GHz $\leq f \leq 20.2$ GHz
9.4.3 OTA total power dynamic range	[± 0.4] dB
9.6.2 OTA frequency error	[± 12] Hz
9.6.3 OTA modulation quality	[± 1 %]
9.7.2 OTA occupied bandwidth	600 kHz
9.7.3 OTA ACLR	[± 2.3] dB, 17.3 GHz $\leq f \leq 20.2$ GHz
9.7.4 OTA out-of-band emissions	Absolute power [± 2.7] dB, 17.3 GHz $\leq f \leq 20.2$ GHz
9.7.5.2 OTA transmitter spurious emissions, mandatory requirements	± 2.3 dB, 30 MHz $\leq f \leq 6$ GHz ± 2.7 dB, 6 GHz $< f \leq 40$ GHz ± 5.0 dB, 40 GHz $< f \leq 60$ GHz
NOTE: Test system uncertainty values are applicable for normal condition unless otherwise stated.	

4.1.2.3 Measurement of receiver

The maximum conducted Test System uncertainty for conducted receiver tests minimum requirements are given in table 4.1.2.3-1. The maximum OTA Test System uncertainty for OTA receiver tests minimum requirements are given in table 4.1.2.3-2 for FR1-NTN and in table 4.1.2.3-3 for FR2-NTN.

Table 4.1.2.3-1: Maximum Test System Uncertainty for conducted receiver tests

Clause	Maximum Test System Uncertainty	Derivation of Test System Uncertainty
7.2 Reference sensitivity level	± 0.7 dB, $f \leq 3$ GHz	
7.3 Dynamic range	± 0.3 dB	
7.4.1 Adjacent channel selectivity	± 1.4 dB, $f \leq 3$ GHz	<p>Overall system uncertainty comprises three quantities:</p> <ol style="list-style-type: none"> 1. Wanted signal level error 2. Interferer signal level error 3. Additional impact of interferer leakage <p>Items 1 and 2 are assumed to be uncorrelated so can be root sum squared to provide the ratio error of the two signals. The interferer leakage effect is systematic, and is added arithmetically.</p> <p>Test System uncertainty = SQRT (wanted_level_error² + interferer_level_error²) + leakage effect.</p> <p>$f \leq 3$ GHz Wanted signal level ± 0.7 dB Interferer signal level ± 0.7 dB</p> <p>$f \leq 6$ GHz Impact of interferer leakage 0.4 dB</p>
7.5.5.1 Out-of-band blocking	$f_{\text{wanted}} \leq 3\text{GHz}$ $1\text{MHz} < f_{\text{interferer}} \leq 3\text{GHz}$: ± 1.3 dB $3\text{GHz} < f_{\text{interferer}} \leq 4.2\text{GHz}$: ± 1.5 dB $4.2\text{GHz} < f_{\text{interferer}} \leq 12.75\text{GHz}$: ± 3.2 dB	<p>Overall system uncertainty comprises three quantities:</p> <ol style="list-style-type: none"> 1. Wanted signal level error 2. Interferer signal level error 3. Interferer broadband noise <p>Items 1 and 2 are assumed to be uncorrelated so can be root sum squared to provide the ratio error of the two signals. The Interferer Broadband noise effect is systematic, and is added arithmetically.</p> <p>Test System uncertainty = SQRT (wanted_level_error² + interferer_level_error²) + Broadband noise effect.</p> <p>Out of band blocking, using CW interferer: Wanted signal level: ± 0.7 dB up to 3 GHz</p> <p>Interferer signal level: ± 1.0 dB up to 3 GHz Impact of interferer Broadband noise 0.1 dB</p>
7.8 In-channel selectivity	± 1.4 dB, $f \leq 3$ GHz	
NOTE: Unless otherwise noted, only the Test System stimulus error is considered here. The effect of errors in the throughput measurements due to finite test duration is not considered.		

Table 4.1.2.3-2: Maximum OTA Test System uncertainty for FR1-NTN OTA receiver tests

Clause	Maximum OTA Test System uncertainty
10.2 OTA sensitivity	± 1.3 dB, $f \leq 3$ GHz
10.3 OTA reference sensitivity level	± 1.3 dB, $f \leq 3$ GHz
10.4 OTA dynamic range	± 0.3 dB
10.5.1 OTA adjacent channel selectivity	± 1.7 dB, $f \leq 3$ GHz
10.6 OTA out-of-band blocking	$f_{\text{wanted}} \leq 3$ GHz: ± 2.0 dB, $f_{\text{interferer}} \leq 3$ GHz ± 2.1 dB, $3 \text{ GHz} < f_{\text{interferer}} \leq 6$ GHz ± 3.5 dB, $6 \text{ GHz} < f_{\text{interferer}} \leq 12.75$ GHz
10.9 OTA in-channel selectivity	± 1.7 dB, $f \leq 3$ GHz
NOTE: Test system uncertainty values are applicable for normal condition unless otherwise stated.	

Table 4.1.2.3-3: Maximum OTA Test System uncertainty for FR2-NTN OTA receiver tests

Clause	Maximum OTA Test System uncertainty
10.3 OTA reference sensitivity level	$[\pm 2.4]$ dB, $27.5 \text{ GHz} \leq f \leq 30.0$ GHz
10.5.1 OTA adjacent channel selectivity	$[\pm 3.4]$ dB, $27.5 \text{ GHz} \leq f \leq 30.0$ GHz
10.6 OTA out-of-band blocking	$[\pm 3.6]$ dB, $27.5 \text{ GHz} \leq f \leq 30.0$ GHz
10.9 OTA in-channel selectivity	$[\pm 3.4]$ dB, $27.5 \text{ GHz} \leq f \leq 30.0$ GHz
NOTE: Test system uncertainty values are applicable for normal condition unless otherwise stated.	

4.1.2.4 Measurement of performance requirements

Table 4.1.2.4-1: Maximum Test System Uncertainty for FR1-NTN conducted performance requirements

Clause	Maximum Test System Uncertainty	Derivation of Test System Uncertainty
8 PUSCH, PUCCH, PRACH with single antenna port and fading channel	± 0.6 dB	Overall system uncertainty for fading conditions comprises two quantities: 1. Signal-to-noise ratio uncertainty 2. Fading profile power uncertainty Items 1 and 2 are assumed to be uncorrelated so can be root sum squared: Test System uncertainty = $[\text{SQRT}(\text{Signal-to-noise ratio uncertainty}^2 + \text{Fading profile power uncertainty}^2)]$ Signal-to-noise ratio uncertainty ± 0.3 dB Fading profile power uncertainty ± 0.5 dB
8 PRACH with single antenna port and AWGN	± 0.3 dB	Signal-to-noise ratio uncertainty ± 0.3 dB

Table 4.1.2.4-2: Maximum Test System Uncertainty for FR1-NTN OTA performance requirements

Clause	Maximum Test System Uncertainty	Derivation of Test System Uncertainty
11 PUSCH, PUCCH, PRACH with single antenna port and fading channel	± 0.6 dB	Overall system uncertainty for fading conditions comprises two quantities: 1. Signal-to-noise ratio uncertainty 2. Fading profile power uncertainty Items 1 and 2 are assumed to be uncorrelated so can be root sum squared: Test System uncertainty = [SQRT (Signal-to-noise ratio uncertainty ² + Fading profile power uncertainty ²)] Signal-to-noise ratio uncertainty ± 0.3 dB Fading profile power uncertainty ± 0.5 dB
11 PRACH with single antenna port and AWGN	± 0.3 dB	Signal-to-noise ratio uncertainty ± 0.3 dB

Table 4.1.2.4-3: Maximum Test System Uncertainty for FR2-NTN OTA performance requirements

Clause	Maximum Test System Uncertainty	Derivation of Test System Uncertainty
11 PUSCH, PUCCH, PRACH with single antenna port and fading channel	± 0.6 dB	Overall system uncertainty for fading conditions comprises two quantities: 1. Signal-to-noise ratio uncertainty 2. Fading profile power uncertainty Items 1 and 2 are assumed to be uncorrelated so can be root sum squared: Test System uncertainty = [SQRT (Signal-to-noise ratio uncertainty ² + Fading profile power uncertainty ²)] Signal-to-noise ratio uncertainty ± 0.3 dB Fading profile power uncertainty ± 0.5 dB
11 PRACH with single antenna port and AWGN	± 0.3 dB	Signal-to-noise ratio uncertainty ± 0.3 dB

4.1.3 Interpretation of measurement results

The measurement results returned by the Test System are compared - without any modification - against the test requirements as defined by the Shared Risk principle.

The Shared Risk principle is defined in Recommendation ITU-R M.1545 [3].

The actual measurement uncertainty of the Test System for the measurement of each parameter shall be included in the test report.

The recorded value for the Test System uncertainty shall be, for each measurement, equal to or lower than the appropriate figure in clause 4.1.2 of the present document.

If the Test System for a test is known to have a measurement uncertainty greater than that specified in clause 4.1.2, it is still permitted to use this apparatus provided that an adjustment is made as follows.

Any additional uncertainty in the Test System over and above that specified in clause 4.1.2 shall be used to tighten the test requirement, making the test harder to pass. For some tests e.g. receiver tests, this may require modification of stimulus signals. This procedure will ensure that a Test System not compliant with clause 4.1.2 does not increase the chance of passing a device under test where that device would otherwise have failed the test if a Test System compliant with clause 4.1.2 had been used.

4.2 Requirement reference points

4.2.1 SAN type 1-H

For *SAN type 1-H*, the requirements are defined for two points of reference, signified by radiated requirements and conducted requirements.

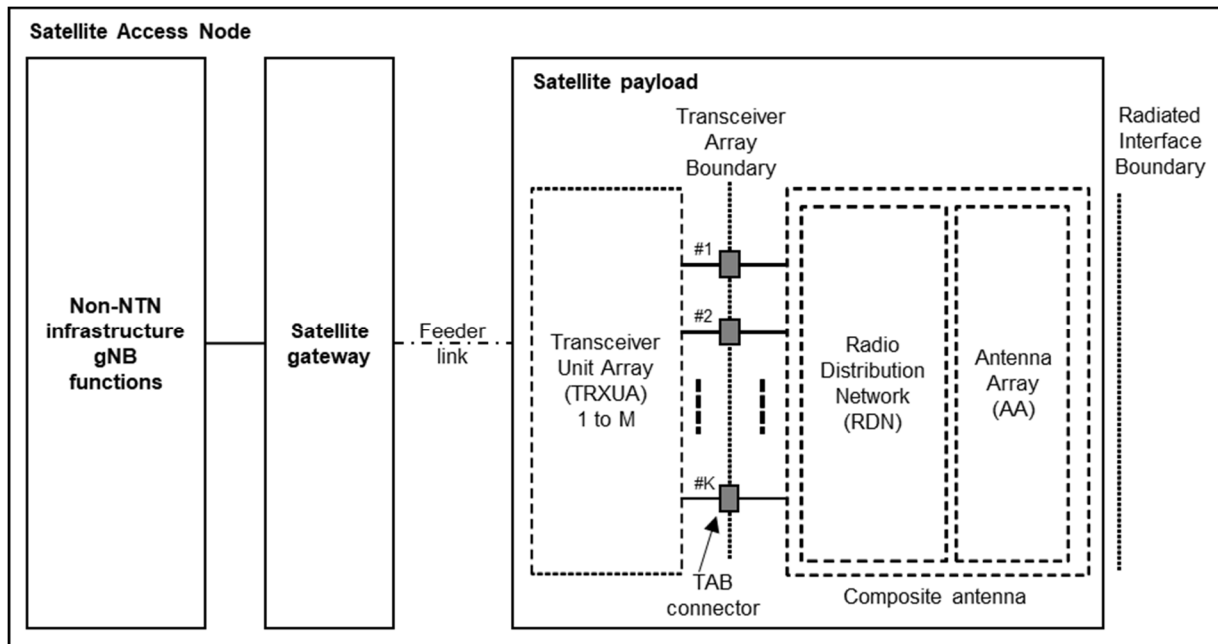


Figure 4.2.1-1: Radiated and conducted reference points for *SAN type 1-H*

Radiated characteristics are defined over the air (OTA), where the radiated interface is referred to as the *Radiated Interface Boundary* (RIB). Radiated requirements are also referred to as OTA requirements. The (spatial) characteristics in which the OTA requirements apply are detailed for each requirement.

Conducted characteristics are defined at individual or groups of *TAB connectors* at the *transceiver array boundary*, which is the conducted interface between the transceiver unit array and the composite antenna.

The transceiver unit array is part of the composite transceiver functionality receiving and transmitting modulated signal to ensure radio links with users.

The satellite payload is composed by a transceiver unit array and a composite antenna array. The transceiver unit array contains an implementation specific number of transmitter units and an implementation specific number of receiver units.

The composite antenna contains a radio distribution network (RDN) and an antenna array. The RDN is a linear passive network which distributes the RF power generated by the transceiver unit array to the antenna array, and/or distributes the radio signals collected by the antenna array to the transceiver unit array, in an implementation specific way.

How a conducted requirement is applied to the *transceiver array boundary* is detailed in the respective requirement clause.

4.2.2 *SAN type 1-O, SAN type 2-O*

For *SAN type 1-O* and *SAN type 2-O*, the radiated characteristics are defined over the air (OTA), where the *operating band* specific radiated interface is referred to as the *Radiated Interface Boundary* (RIB). Radiated requirements are also referred to as OTA requirements. The (spatial) characteristics in which the OTA requirements apply are detailed for each requirement.

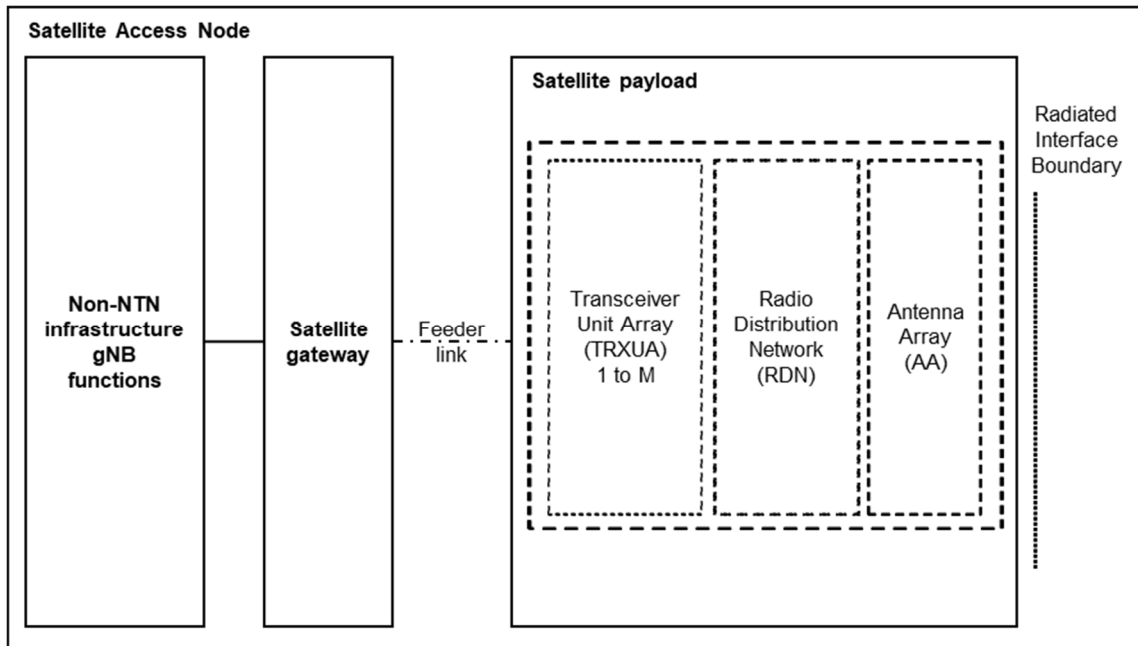


Figure 4.2.2-1: Radiated reference points for SAN type 1-O and SAN type 2-O

Transmitter units and receiver units may be combined into transceiver units. The transmitter/receiver units have the ability to transmit/receive parallel independent modulated symbol streams.

4.3 Satellite Access Node classes

The requirements in this specification apply to Satellite Access Node unless otherwise stated. The associated deployment scenarios are exactly the same for SAN with and without connectors.

SAN classes are defined in Table 4.3-1.

Table 4.3-1 SAN classes

SAN Class	Satellite constellation
GEO class	GEO satellite
LEO class	LEO 600 km satellite LEO 1200 km satellite

4.4 Regional requirements

Some requirements in the present document may only apply in certain regions either as optional requirements, or as mandatory requirements set by local and regional regulation. It is normally not stated in the 3GPP specifications under what exact circumstances the regional requirements apply, since this is defined by local or regional regulation.

Table 4.4-1 lists all requirements in the present specification that may be applied differently in different regions.

Table 4.4-1: List of regional requirements

Clause number	Requirement	Comments
5	Operating bands	Satellite operating bands may be applied regionally.
6.6.4, 9.7.4	Out-of-band emissions, OTA out-of-band emissions	For n255 operation in US, Limits in FCC Title 47 apply.
6.6.5, 9.7.5	Tx spurious emissions, OTA Tx spurious emissions	For n255 operation in US, Limits in FCC Title 47 apply.

4.5 SAN configurations

4.5.1 SAN type 1-H transmit configurations

Unless otherwise stated, the conducted transmitter characteristics in clause 6 are specified at the *transceiver array boundary* at the *TAB connector(s)* with a full complement of transceiver units for the configuration in normal operating conditions.

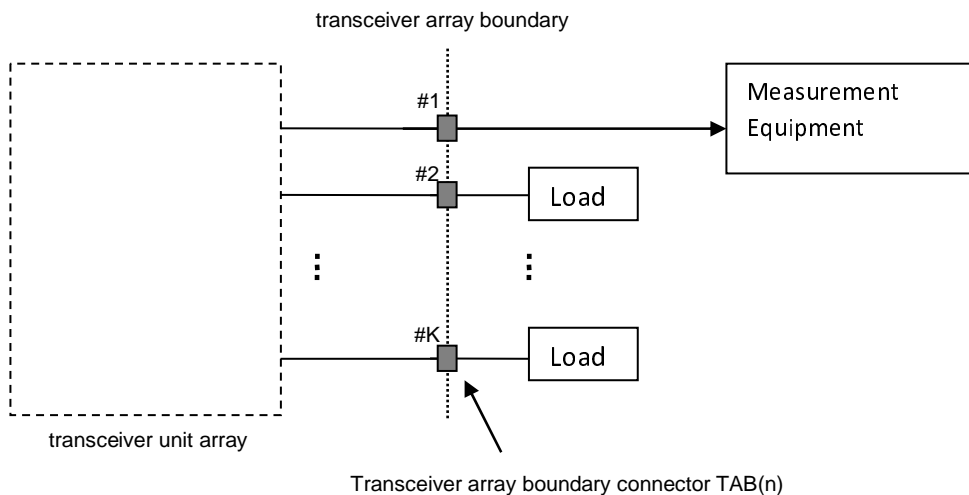


Figure 4.5.1-1: SAN type 1-H transmitter test ports

Unless otherwise stated, for the tests in clause 6 of the present document, the requirement applies for each transmit *TAB connector*.

4.5.2 SAN type 1-H receive configurations

Unless otherwise stated, the conducted receiver characteristics in clause 7 are specified at the *TAB connector* with a full complement of transceiver units for the configuration in normal operating conditions.

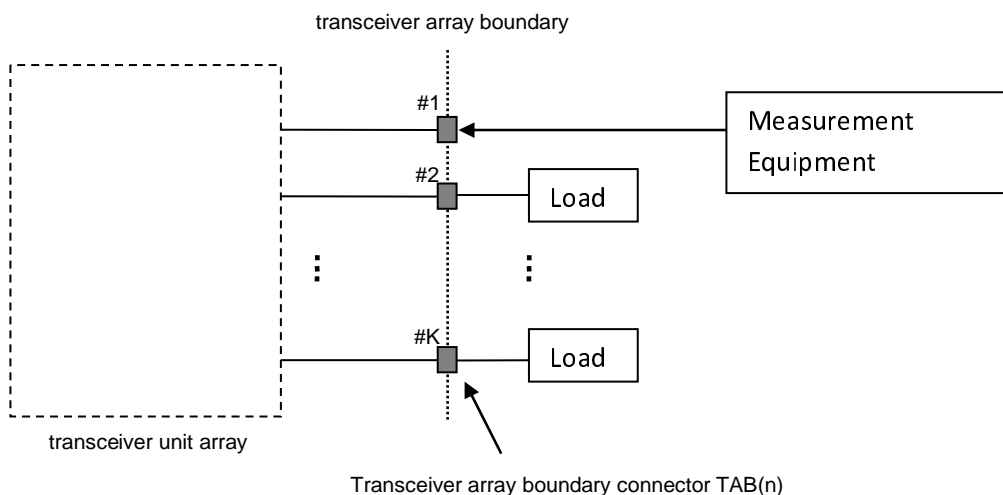


Figure 4.5.2-1: Receiver test ports

For the tests in clause 7 of the present document, the requirement applies at each receive *TAB connector*.

Conducted receive requirements are tested at the *TAB connector*, with the remaining receiver units(s) disabled or their *TAB connector(s)* being terminated.

4.5.3 SAN type 1-O and SAN type 2-O transmit configurations

Unless otherwise stated, the radiated transmitter characteristics in clause 9 are specified at RIB, with a full complement of transceiver units for the configuration in normal operating conditions.

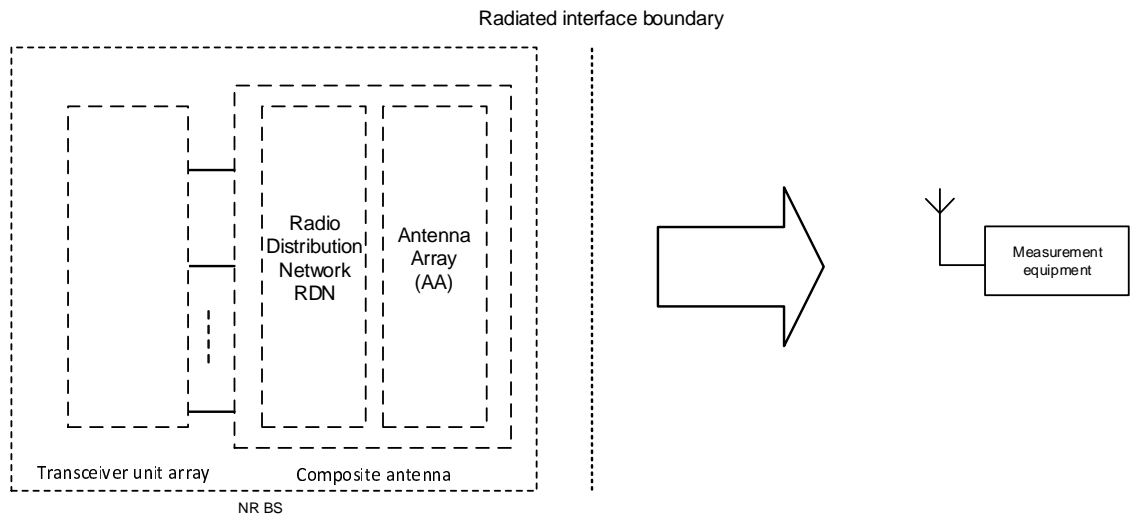


Figure 4.5.3-1: SAN type 1-O and SAN type 2-O transmitter test interfaces

4.5.4 SAN type 1-O and SAN type 2-O receive configurations

Unless otherwise stated, the radiated receiver characteristics in clause 10 are specified at RIB, with a full complement of transceiver units for the configuration in normal operating conditions.

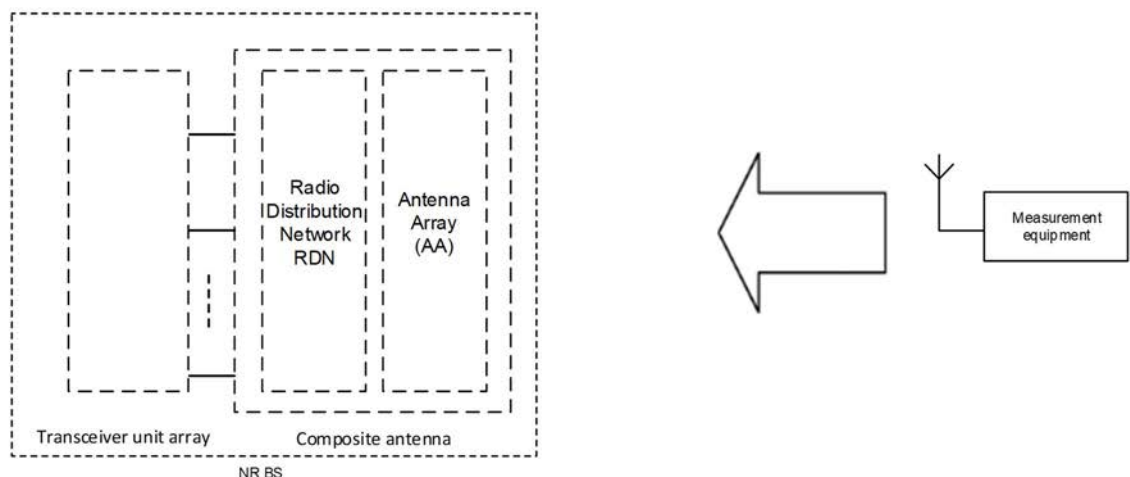


Figure 4.5.4-1: SAN type 1-O and SAN type 2-O receiver test interfaces

4.5.5 Power supply options

[If the SAN is supplied with a number of different power supply configurations, it may not be necessary to test RF parameters for each of the power supply options, provided that it can be demonstrated that the range of conditions over which the equipment is tested is at least as great as the range of conditions due to any of the power supply configurations.]

4.6 Manufacturer declarations

The following SAN declarations listed in table 4.6-1, when applicable to the SAN under test, are required to be provided by the manufacturer for the conducted requirements testing of the *SAN type 1-H*, and radiated requirements testing of *SAN type 1-H*, *SAN type 1-O* and *SAN type 2-O*.

Table 4.6-1 Manufacturers declarations for *SAN type 1-H* conducted test requirements, and for *SAN type 1-H*, *SAN type 1-O* and *SAN type 2-O* radiated test requirements

Declaration identifier	Declaration	Description	Applicability (Note 1)		
			SAN type 1-H (Note 2)	SAN type 1-O	SAN type 2-O
D.1	Coordinate system reference point	Location of coordinated system reference point in reference to an identifiable physical feature of the SAN enclosure.	x	x	x
D.2	Coordinate system orientation	Orientation of the coordinate system in reference to an identifiable physical feature of the SAN enclosure.	x	x	x
D.3	Beam identifier	<p>A unique title to identify a beam, e.g. a, b, c or 1, 2, 3. The vendor may declare any number of beams with unique identifiers. The minimum set to declare for conformance, corresponds to the beams at the reference beam direction with the highest intended EIRP, and covering the properties listed below:</p> <ol style="list-style-type: none"> 1) A beam with the narrowest intended BeW_{θ} and narrowest intended BeW_{ϕ} possible when narrowest intended BeW_{θ} is used. 2) A beam with the narrowest intended BeW_{ϕ} and narrowest intended BeW_{θ} possible when narrowest intended BeW_{ϕ} is used. 3) A beam with the widest intended BeW_{θ} and widest intended BeW_{ϕ} possible when widest intended BeW_{θ} is used. 4) A beam with the widest intended BeW_{ϕ} and widest intended BeW_{θ} possible when widest intended BeW_{ϕ} is used. 5) A beam which provides the highest intended EIRP of all possible beams. <p>When selecting the above five beam widths for declaration, all beams that the SAN is intended to produce shall be considered, including beams that during operation may be identified by any kind of cell or UE specific reference signals, with the exception of any type of beam that is created from a group of transmitters that are not all phase synchronised.</p> <p>(Note 3)</p>	x	x	x
D.4	Operating bands and frequency ranges	<p>List of NR <i>operating band(s)</i> supported by the SAN and if applicable, frequency range(s) within the <i>operating band(s)</i> that the SAN can operate in.</p> <p>Supported bands declared for every beam for SAN type 1-O (D.3), or every <i>TAB connector</i> for SAN type 1-H.</p> <p>(Note 4)</p>	c	x	x
D.5	SAN requirements set	Declaration of one of the NR satellite access node <i>requirements set</i> as defined for SAN type 1-H, or SAN type 1-O.	c	x	x
D.6	SAN class	Declared as GEO SAN, or LEO SAN.	c	x	x
D.7	SAN channel band width and SCS support	SAN supported SCS and channel bandwidth per supported SCS. Declared for each beam for SAN type 1-O (D.3) or each <i>TAB connector</i> for SAN type 1-H, and each <i>operating band</i> (D.4).	c	x	x
D.8	OTA peak directions set reference beam direction pair	The beam direction pair, describing the reference beam peak direction and the reference beam centre direction. Declared for every beam (D.3).	x	x	x
D.9	OTA peak directions set	The OTA peak directions set for each beam. Declared for every beam (D.3).	x	x	x

Declaration identifier	Declaration	Description	Applicability (Note 1)		
			SAN type 1-H (Note 2)	SAN type 1-O	SAN type 2-O
D.10	OTA peak directions set maximum steering direction(s)	The <i>beam direction pair(s)</i> corresponding to the following points: 1) The beam peak direction corresponding to the maximum steering from the reference beam centre direction in the positive Φ direction, while the θ value being the closest possible to the reference beam centre direction. 2) The beam peak direction corresponding to the maximum steering from the reference beam centre direction in the negative Φ direction, while the θ value being the closest possible to the reference beam centre direction. 3) The beam peak direction corresponding to the maximum steering from the reference beam centre direction in the positive θ direction, while the Φ value being the closest possible to the reference beam centre direction. 4) The beam peak direction corresponding to the maximum steering from the reference beam centre direction in the negative θ direction, while the Φ value being the closest possible to the reference beam centre direction. The maximum steering direction(s) may coincide with <i>the reference beam centre direction</i> . Declared for every beam (D.3).	x	x	x
D.11	Rated beam EIRP ($P_{\text{rated,c,EIRP}}$)	The rated EIRP level per carrier ($P_{\text{rated,c,EIRP}}$) at the <i>beam peak direction</i> associated with a particular <i>beam direction pair</i> for each of the declared maximum steering directions (D.10), as well as the reference <i>beam direction pair</i> (D.8). Declared for every beam (D.3). (Note 11)	x	x	x
D.12	Beamwidth	The <i>beamwidth</i> for the reference <i>beam direction pair</i> and the four maximum steering directions. Declared for every beam (D.3).	x	x	x
D.13	Equivalent beams	List of beams which are declared to be equivalent. Equivalent beams imply that the beams are expected to have identical <i>OTA peak directions sets</i> and intended to have identical spatial properties at all steering directions within the <i>OTA peak directions set</i> when presented with identical signals. All declarations (D.4 – D.12) made for the beams are identical and the transmitter unit, RDN and antenna array responsible for generating the beam are of identical design.	x	x	x
D.14	Parallel beams	List of beams which have been declared equivalent (D.13) and can be generated in parallel using independent RF power resources. Independent power resources mean that the beams are transmitted from mutually exclusive transmitter units.	x	x	x
D.15	Number of carriers at maximum TRP	The number of carriers per operating band the SAN is capable of generating at maximum TRP declared for every beam (D.3).	n/a	x	x
D.16	Maximum Satellite Access Node RF Bandwidth	Maximum <i>Satellite Access Node RF Bandwidth</i> in the <i>operating band</i> , declared for each supported operating band for each beam for SAN type 1-O, or for each TAB connector for SAN type 1-H (D.4). (Note 10)	c	x	x

Declaration identifier	Declaration	Description	Applicability (Note 1)		
			SAN type 1-H (Note 2)	SAN type 1-O	SAN type 2-O
D.17	Total RF bandwidth (BW_{tot})	Total RF bandwidth BW_{tot} of transmitter and receiver, declared per the band combinations (D.42).	c	x	x
D.18	Contiguous spectrum operation support	Ability of SAN to support contiguous frequency distribution of carriers when operating multi-carrier in an operating band. Declared for each <i>single-band RIB</i> for SAN type 1-O or each <i>single-band connector</i> for SAN type 1-H, for each <i>operating band</i> .	c	x	x
D.19	OSDD identifier	A unique identifier for the OSDD.	x	x	n/a
D.20	OSDD operating band support	Operating band supported by the OSDD, declared for every OSDD (D.19). (Note 5)	x	x	n/a
D.21	OTA sensitivity supported SAN channel bandwidth and SCS	The SAN supported SCS and channel bandwidth per supported SCS by each OSDD.	x	x	n/a
D.22	Redirection of receiver target support	Ability to redirect the receiver target related to the OSDD.	x	x	n/a
D.23	Minimum EIS for FR1 ($EIS_{minSENS}$)	The minimum $EIS_{minSENS}$ requirement (i.e. maximum allowable EIS value) applicable to all sensitivity RoAoA per OSDD. Declared per NR supported channel BW for the OSDD (D.19). The lowest EIS value for all the declared OSDD's is called $minSENS$, while its related range of angles of arrival is called <i>minSENS RoAoA</i> . (Note 6)	x	x	n/a
D.24	Receiver target reference direction Sensitivity Range of Angle of Arrival	The sensitivity RoAoA associated with the receiver target reference direction (D.26) for each OSDD.	x	x	n/a
D.25	Receiver target redirection range	For each OSDD the associated union of all the sensitivity RoAoA achievable through redirecting the receiver target related to the OSDD.	x	x	n/a
D.26	Receiver target reference direction	For each OSDD an associated direction inside the receiver target redirection range (D.25). (Note 7)	x	x	n/a
D.27	Conformance test directions sensitivity RoAoA	For each OSDD that includes a receiver target redirection range, four sensitivity RoAoA comprising the conformance test directions (D.28).	x	x	n/a

Declaration identifier	Declaration	Description	Applicability (Note 1)		
			SAN type 1-H (Note 2)	SAN type 1-O	SAN type 2-O
D.28	Conformance test directions	<p>For each OSDD four conformance test directions.</p> <p>If the OSDD includes a receiver target redirection range the following four directions shall be declared:</p> <ol style="list-style-type: none"> 1) The direction determined by the maximum φ value achievable inside the receiver target redirection range, while θ value being the closest possible to the receiver target reference direction. 2) The direction determined by the minimum φ value achievable inside the receiver target redirection range, while θ value being the closest possible to the receiver target reference direction. 3) The direction determined by the maximum θ value achievable inside the receiver target redirection range, while φ value being the closest possible to the receiver target reference direction. 4) The direction determined by the minimum θ value achievable inside the receiver target redirection range, while φ value being the closest possible to the receiver target reference direction. <p>If an OSDD does not include a receiver target redirection range the following 4 directions shall be declared:</p> <ol style="list-style-type: none"> 1) The direction determined by the maximum φ value achievable inside the sensitivity RoAoA, while θ value being the closest possible to the receiver target reference direction. 2) The direction determined by the minimum φ value achievable inside the sensitivity RoAoA, while θ value being the closest possible to the receiver target reference direction. 3) The direction determined by the maximum θ value achievable inside the sensitivity RoAoA, while φ value being the closest possible to the receiver target reference direction. 4) The direction determined by the minimum θ value achievable inside the sensitivity RoAoA, while φ value being the closest possible to the receiver target reference direction. 	x	x	n/a
D.29	OTA coverage range	Declared as a single range of directions within which selected TX OTA requirements are intended to be met. (Note 8)	x	x	x
D.30	OTA coverage range reference direction	The direction describing the reference direction of the OTA converge range (D.29). (Note 9)	x	x	x

Declaration identifier	Declaration	Description	Applicability (Note 1)		
			SAN type 1-H (Note 2)	SAN type 1-O	SAN type 2-O
D.31	OTA coverage range maximum directions	The directions corresponding to the following points: 1) The direction determined by the maximum φ value achievable inside the <i>OTA coverage range</i> , while θ value being the closest possible to the <i>OTA coverage range</i> reference direction. 2) The direction determined by the minimum φ value achievable inside the <i>OTA coverage range</i> , while θ value being the closest possible to the <i>OTA coverage range</i> reference direction. 3) The direction determined by the maximum θ value achievable inside the <i>OTA coverage range</i> , while φ value being the closest possible to the <i>OTA coverage range</i> reference direction. 4) The direction determined by the minimum θ value achievable inside the <i>OTA coverage range</i> , while φ value being the closest possible to the <i>OTA coverage range</i> reference direction.	x	x	x
D.32	The rated carrier OTA SAN power, $P_{\text{rated,c,TRP}}$	$P_{\text{rated,c,TRP}}$ is declared as TRP OTA power per carrier, declared per supported operating band. (Note 11)	n/a	x	x
D.33	Rated transmitter TRP, $P_{\text{rated,t,TRP}}$	Rated total radiated output power. Declared per supported <i>operating band</i> . (Note 11)	n/a	x	x
D.34	Rated carrier output power ($P_{\text{rated,c,TABC}}$)	Conducted rated carrier output power, per <i>single band connector</i> . Declared per supported <i>operating band</i> , per <i>TAB connector</i> for <i>SAN type 1-H</i> . (Note 11)	c	n/a	n/a
D.35	Rated total output power ($P_{\text{rated,t,TABC}}$)	Conducted total rated output power. Declared per supported <i>operating band</i> , per <i>TAB connector</i> for <i>SAN type 1-H</i> . (Note 11)	c	n/a	n/a
D.36	Single band connector	List of single-band connector for the supported operating bands (D.4).	c	n/a	n/a
D.37	Equivalent connectors	List of <i>TAB connector</i> of <i>SAN type 1-H</i> , which have been declared equivalent. Equivalent connectors imply that the <i>TAB connector</i> of <i>SAN type 1-H</i> , are expected to behave in the same way when presented with identical signals under the same operating conditions. All declarations made for the <i>TAB connector</i> of <i>SAN type 1-H</i> are identical and the transmitter unit and/or receiver unit driving <i>TAB connector</i> of <i>SAN type 1-H</i> are of identical design.	c	n/a	n/a
D.38	Single-band RIB	List of single-band RIB for the supported operating bands (D.4).	n/a	x	x
D.39	Single or multiple carrier	SAN capability to operate with a single carrier (only) or multiple carriers. Declared per supported <i>operating band</i> , per <i>RIB</i> for <i>SAN type 1-O</i> or per <i>TAB connector</i> for <i>SAN type 1-H</i> .	c	x	x
D.40	Maximum number of supported carriers per operating band	Maximum number of supported carriers. Declared per supported <i>operating band</i> , per <i>RIB</i> for <i>SAN type 1-O</i> or per <i>TAB connector</i> for <i>SAN type 1-H</i> . (Note 10)	c	x	x
D.41	Maximum supported power difference between carriers	Maximum supported power difference between carriers in each supported <i>operating band</i> . Declared per <i>operating band</i> (D.4), per <i>RIB</i> for <i>SAN type 1-O</i> or per <i>TAB connector</i> for <i>SAN type 1-H</i> .	c	x	x

Declaration identifier	Declaration	Description	Applicability (Note 1)		
			SAN type 1-H (Note 2)	SAN type 1-O	SAN type 2-O
D.42	Operating band combination support	List of <i>operating bands</i> combinations supported by <i>single-band RIB(s)</i> of <i>SAN type 1-O</i> , or <i>single-band connector(s)</i> of <i>SAN type 1-H</i> .	c	x	x
D.43	OTA REFSSENS RoAoA	Range of angles of arrival associated with the OTA REFSSENS.	n/a	x	x
D.44	OTA REFSSENS receiver target reference direction	Reference direction inside the OTA REFSSENS RoAoA (D.43).	n/a	x	x
D.45	OTA REFSSENS conformance test directions	The following four OTA REFSSENS conformance test directions shall be declared: 1) The direction determined by the maximum φ value achievable inside the OTA REFSSENS RoAoA, while θ value being the closest possible to the OTA REFSSENS receiver target reference direction. 2) The direction determined by the minimum φ value achievable inside the OTA REFSSENS RoAoA, while θ value being the closest possible to the OTA REFSSENS receiver target reference direction. 3) The direction determined by the maximum θ value achievable inside the OTA REFSSENS RoAoA, while φ value being the closest possible to the OTA REFSSENS receiver target reference direction. 4) The direction determined by the minimum θ value achievable inside the OTA REFSSENS RoAoA, while φ value being the closest possible to the OTA REFSSENS receiver target reference direction.	n/a	x	x
D.46	Relation between supported maximum RF bandwidth, number of carriers and Rated maximum TRP	If the rated transmitter TRP and total number of supported carriers are not simultaneously supported, the manufacturer shall declare the following additional parameters: - The reduced number of supported carriers at the rated transmitter TRP; - The reduced total output power at the maximum number of supported carriers.	n/a	x	x
D.47	Relation between supported maximum RF bandwidth, number of carriers and Rated total output power	If the rated total output power and total number of supported carriers are not simultaneously supported, the manufacturer shall declare the following additional parameters: - The reduced number of supported carriers at the rated total output power; - The reduced total output power at the maximum number of supported carriers.	c	n/a	n/a
D.48	<i>TAB connectors</i> used for performance requirement testing	To reduce test complexity, declaration of a representative (sub)set of <i>TAB connectors</i> to be used for performance requirement test purposes. At least one <i>TAB connector</i> mapped to each <i>demodulation branch</i> is declared.	c	n/a	n/a
D.49	$P_{\text{rated,c,sys,GEO}}$	The sum of $P_{\text{rated,c,TABC}}$ for all <i>TAB connectors</i> for a single carrier of the SAN GEO class.	c	n/a	n/a
D.50	$P_{\text{rated,c,TABC,GEO}}$	The <i>rated carrier output power per TAB connector</i> of the SAN GEO class.	c	n/a	n/a
D.51	$P_{\text{rated,c,sys,LEO}}$	The sum of $P_{\text{rated,c,TABC}}$ for all <i>TAB connectors</i> for a single carrier of the SAN LEO class.	c	n/a	n/a
D.52	$P_{\text{rated,c,TABC,LEO}}$	The <i>rated carrier output power per TAB connector</i> of the SAN LEO class.	c	n/a	n/a

Declaration identifier	Declaration	Description	Applicability (Note 1)		
			SAN type 1-H (Note 2)	SAN type 1-O	SAN type 2-O
D.53	EIS REFSENS for FR2 (EIS _{REFSENS_50M})	The EIS _{REFSENS_50M} level applicable in the OTA REFSENS RoAoA, (used as a basis for the derivation of the FR2 EIS _{REFSENS} for other channel bandwidths supported by SAN). (Note 12)	n/a	n/a	x
D.54	SAN test conditions: Barometric pressure	Range of barometric pressure values for the Satellite Payload RF (SPRF) testing.	x	x	
D.55	SAN test conditions: Temperature	Range of temperature values for SPRF testing.	x	x	
D.56	SAN test conditions: Relative humidity	Range of relative humidity values for SPRF testing.	x	x	
D.57	SAN test conditions: Vibration	Range of vibration values for SPRF testing.	x	x	
D.58	SAN test conditions: Additional conditions	Additional (e.g. mission-specific) conditions for the SPRF testing.	x	x	
D.59	SAN test conditions: power supply	Manufacturer declaration related to the power supply.	x	x	
D.100	PUSCH mapping type	Declaration of the supported PUSCH mapping type as specified in TS 38.211 [8], i.e., type A, type B or both.	c	x	n/a
D.101	PUCCH format	Declaration of the supported PUCCH format(s) as specified in TS 38.211 [8], i.e., format 0, format 1, format 2, format 3, format 4.	c	x	x
D.102	PRACH format and SCS	Declaration of the supported PRACH format(s) as specified in TS 38.211 [8], i.e., format: 0, 2, B4, C2. Declaration of the supported SCS(s) per supported PRACH format with short sequence, as specified in TS 38.211 [8], i.e., 15 kHz, 30 kHz or both.	c	x	x
D.103	Additional DM-RS for PUCCH format 3	Declaration of the supported additional DM-RS for PUCCH format 3: without additional DM-RS, with additional DM-RS or both.	c	x	x
D.104	Additional DM-RS for PUCCH format 4	Declaration of the supported additional DM-RS for PUCCH format 4: without additional DM-RS, with additional DM-RS or both.	c	x	x
D.105	PUCCH multi-slot	Declaration of multi-slot PUCCH support.	c	x	n/a
D.106	MCS index table 3	Declaration of support MCS index table 3 as specified in TS 38.214 [9].	c	x	
D.107	PUSCH repetition type A	Declaration of support PUSCH repetition type A	c	x	
D.108	PUSCH DM-RS bundling	Declaration of supported SCS and FDD PUSCH DM-RS bundling, i.e., {15 kHz, 30 kHz}	c	x	n/a

Declaration identifier	Declaration	Description	Applicability (Note 1)		
			SAN type 1-H (Note 2)	SAN type 1-O	SAN type 2-O
NOTE 1: Manufacturer declarations applicable per SAN <i>requirement set</i> were marked as "x" or "c". Manufacturer declarations not applicable per SAN <i>requirement set</i> were marked as "n/a".					
NOTE 2: For SAN <i>type 1-H</i> , the only radiated declarations are related to EIRP and EIS requirements. For declarations marked as 'c', related conducted declarations apply, and for declarations marked as 'x', related radiated declarations apply.					
NOTE 3: Depending on the capability of the system some of these beams may be the same. For those same beams, testing is not repeated.					
NOTE 4: These <i>operating bands</i> are related to their respective single-band RIBs, or single-band TAB connectors.					
NOTE 5: As each identified OSDD has a declared minimum EIS value (D.23), multiple operating band can only be declared if they have the same minimum EIS declaration.					
NOTE 6: If the SAN <i>type 1-H</i> or SAN <i>type 1-O</i> is not capable of redirecting the receiver target related to the OSDD then there is only one RoAoA applicable to the OSDD.					
NOTE 7: For an OSDD without receiver target redirection range, this is a direction inside the sensitivity RoAoA.					
NOTE 8: <i>OTA coverage range</i> is used for conformance testing of such TX OTA requirements as occupied bandwidth, frequency error or EVM.					
NOTE 9: The <i>OTA coverage reference</i> direction may be the same as the Reference beam direction pair (D.8) but does not have to be.					
NOTE 10: Parameters for contiguous spectrum operation in the operating band are assumed to be the same unless they are separately declared. When separately declared, they shall still use the same declaration identifier.					
NOTE 11: If a SAN is capable of 64QAM DL operation then up to two rated output power declarations may be made. One declaration is applicable when configured for 64QAM transmissions, and the other declaration is applicable when not configured for 64QAM transmissions.					
NOTE 12: Although EIS _{REFSENS_50M} level is based on a reference measurement channel with BW _{Channel} = 50 MHz, it does not imply that SAN has to support 50 MHz channel bandwidth.					

4.7 Test configurations

4.7.1 General

The test configurations shall be constructed using the methods defined below, subject to the parameters declared by the manufacturer for the supported RF configurations as listed in clause 4.6. The test configurations to use for conformance testing are defined for each supported RF configuration in clauses 4.8.3.

The applicable test models for generation of the carrier transmit test signal are defined in clause 4.9.

NOTE: If required, carriers are shifted to align with the channel raster.

4.7.2 Test signal used to build Test Configurations

The signal's channel bandwidth and subcarrier spacing used to build NR Test Configurations shall be selected according to tables 4.7.2-1 and 4.7.2-2.

Table 4.7.2-1: Signal to be used to build NR TCs for SAN *type 1-H* and SAN *type 1-O*

Operating Band characteristics		F _{DL_high} – F _{DL_low} <100 MHz
TC signal characteristics	BW _{channel}	5 MHz (Note 1)
	Subcarrier spacing	Smallest supported subcarrier spacing
NOTE 1: If this channel bandwidth is not supported, the narrowest supported channel bandwidth shall be used.		

Table 4.7.2-2: Signal to be used to build NR TCs for SAN type 2-O

Operating Band characteristics		$F_{DL_high} - F_{DL_low} \leq 3250$ MHz
TC signal characteristics	BW _{channel}	100 MHz (Note 1, Note 2)
	Subcarrier spacing	Smallest supported subcarrier spacing
NOTE 1: SAN vendor can decide to test with 50 MHz SAN <i>channel bandwidth</i> and smallest supported SCS declared per <i>operating band</i> (D.7) instead of 100 MHz SAN <i>channel bandwidth</i> in certain regions, where spectrum allocation and regulation require testing with 50 MHz.		
NOTE 2: If this SAN <i>channel bandwidth</i> is not supported, the narrowest supported SAN <i>channel bandwidth</i> shall be used.		

4.7.3 NRTC1: Contiguous spectrum operation

The purpose of test configuration NRTC1 is to test all SAN requirements excluding CA occupied bandwidth.

For NRTC1 used in receiver tests only the two outermost carriers within each supported operating band need to be generated by the test equipment;

4.7.3.1 NRTC1 generation

NRTC1 shall be constructed on a per band basis using the following method:

- Declared maximum *SAN RF Bandwidth* supported for contiguous spectrum operation (D.16) shall be used;
- Select the carrier to be tested according to 4.7.2 and place it adjacent to the lower SAN RF Bandwidth edge. Place same signal adjacent to the upper SAN RF Bandwidth edge.
- For transmitter tests, select as many carriers (according to 4.7.2) that the SAN supports within an *operating band* and fit in the rest of the declared maximum *SAN RF Bandwidth* (D.16). Place the carriers adjacent to each other starting from the upper *SAN RF Bandwidth* edge. The nominal channel spacing defined in TS 38.108 [2], clause 5.4.1 shall apply.

All configured component carriers are transmitted simultaneously in the tests where the transmitter should be ON.

4.7.3.2 NRTC1 power allocation

For conducted test:

Set the power spectral density of each carrier to the same level so that the sum of the carrier powers equals the rated total output power ($P_{rated,t,TABC}$, D.35) according to the manufacturer's declaration in clause 4.6.

For OTA test:

Set the number of carriers to the number of carriers at maximum TRP (D.15).

For EIRP accuracy requirements set each beam to rated beam EIRP (D.11) for the tested *beam direction pair*.

For all other requirements set the power of each carrier to the same level so that the sum of the carrier powers equals the rated transmitter TRP $P_{rated,t,TRP}$ (D.33).

4.8 Applicability of requirements

4.8.1 General

4.8.2 Requirement set applicability

In table 4.8.2-1, the requirement applicability for each *requirement set* is defined. For each requirement, the applicable requirement clause in the specification is identified. Requirements not included in a *requirement set* is marked not applicable (NA).

Table 4.8.2-1: Requirement set applicability

Requirement	Requirement set			
	SAN type 1-H	SAN type 1-O	SAN type 2-O	
Satellite Access Network output power	6.2	NA	NA	
Output power dynamics	6.3			
Transmit ON/OFF power	NA			
Frequency error	6.5.1			
Modulation quality	6.5.2			
Time alignment error	NA			
Occupied bandwidth	6.6.2			
ACLR	6.6.3			
Out-of-band emissions	6.6.4			
Transmitter spurious emissions	6.6.5			
Transmitter intermodulation	NA			
Reference sensitivity level	7.2			
Dynamic range	7.3			
ACS	7.4.1			
In-band blocking	NA			
Out-of-band blocking	7.5			
Receiver spurious emissions	NA			
Receiver intermodulation	NA			
In-channel selectivity	7.8			
Performance requirements	8			
Radiated transmit power	9.2	9.2	9.2	
OTA Satellite Access Network output power	NA	9.3	9.3	
OTA output power dynamics		9.4	9.4	
OTA transmit ON/OFF power		NA	NA	
OTA frequency error		9.6.1	9.6.1	
OTA modulation quality		9.6.2	9.6.2	
OTA time alignment error		NA	NA	
OTA occupied bandwidth		9.7.2	9.7.2	
OTA ACLR		9.7.3	9.7.3	
OTA out-of-band emission		9.7.4	9.7.4	
OTA transmitter spurious emission		9.7.5	9.7.5	
OTA transmitter intermodulation		NA	NA	
OTA sensitivity		10.2	10.2	NA
OTA reference sensitivity level		NA	10.3	10.3
OTA dynamic range			10.4	NA
OTA ACS			10.5.1	10.5.1
OTA in-band blocking			NA	NA
OTA out-of-band blocking			10.6	10.6
OTA receiver spurious emission			NA	NA
OTA receiver intermodulation	NA		NA	
OTA in-channel selectivity	10.9		10.9	
Radiated performance requirements		11	11	

4.8.3 Applicability of test configurations for single-band operation

The applicable test configurations are specified in the tables below for each the supported RF configuration, which shall be declared according to clause 4.6. The generation and power allocation for each test configuration is defined in clause 4.7. This clause contains the test configurations for a SAN capable of single carrier, multi-carrier operation in contiguous spectrum in single band.

For a SAN declared to be capable of single carrier operation only (D.39), a single carrier (SC) shall be used for testing.

For conducted test, for a SAN declared to support multi-carrier operation in contiguous spectrum within a single band (D.39) with *single band connector*, the test configurations in the second column of table 4.8.3-1 shall be used for testing.

For OTA test, for a SAN declared to support multi-carrier operation in contiguous spectrum within a single band (D.39) with *single band RIB*, the test configurations in the second column of table 4.8.3-2 shall be used for testing.

Unless otherwise stated, single carrier configuration (SC) tests shall be performed using signal with narrowest supported channel bandwidth and the smallest supported sub-carrier spacing.

Table 4.8.3-1: Test configurations for a *single-band connector*

SAN test case	Contiguous spectrum capable SAN
Base station output power	NRTC1
RE Power control dynamic range	Tested with Error Vector Magnitude
Total power dynamic range	SC
Frequency error	Tested with Error Vector Magnitude
Error Vector Magnitude	NRTC1
Occupied bandwidth	SC
Adjacent Channel Leakage power Ratio (ACLR)	NRTC1
Out-of-band emissions	NRTC1, SC (Note 1)
Transmitter spurious emissions	NRTC1
Reference sensitivity level	SC
Dynamic range	SC
Adjacent Channel Selectivity (ACS)	NRTC1
Out-of-band blocking	NRTC1
In-channel selectivity	SC
Note 1: OOB SC shall be tested using the widest supported channel bandwidth and the highest supported sub-carrier spacing.	

Table 4.8.3-2: Test configurations for a *single-band RIB*

SAN test case	Contiguous spectrum capable SAN
Radiated transmit power	NRTC1
OTA base station maximum output power	NRTC1
OTA RE Power control dynamic range	Tested with Error Vector Magnitude
OTA total power dynamic range	SC
OTA frequency error	Tested with Error Vector Magnitude
OTA error Vector Magnitude	NRTC1
OTA Occupied bandwidth	SC
OTA ACLR	NRTC1
OTA out-of-band emissions	NRTC1, SC (Note 1)
OTA transmitter spurious emissions	NRTC1
OTA sensitivity	SC
OTA reference sensitivity level	SC
OTA dynamic range	SC
OTA adjacent channel selectivity	NRTC1
OTA out-of-band blocking	NRTC1
OTA in-channel selectivity	SC
Note 1: OOB SC shall be tested using the widest supported channel bandwidth and the highest supported subcarrier spacing.	

4.9 RF channels and test models

4.9.1 RF channels

For the single carrier testing many tests in this TS are performed with appropriate frequencies in the bottom, middle and top channels of the supported frequency range of the SAN. These are denoted as RF channels B (bottom), M (middle) and T (top).

Unless otherwise stated, the test shall be performed with a single carrier at each of the RF channels B, M and T.

Many tests in this TS are performed with the maximum SAN RF Bandwidth located at the bottom, middle and top of the supported frequency range in the operating band. These are denoted as B_{RFBW} (bottom), M_{RFBW} (middle) and T_{RFBW} (top).

Unless otherwise stated, the test shall be performed at B_{RFBW} , M_{RFBW} and T_{RFBW} defined as following:

- B_{RFBW} : maximum SAN RF Bandwidth located at the bottom of the supported frequency range in the operating band.
- M_{RFBW} : maximum SAN RF Bandwidth located in the middle of the supported frequency range in the operating band.
- T_{RFBW} : maximum SAN RF Bandwidth located at the top of the supported frequency range in the operating band.

When a test is performed by a test laboratory, the position of B, M and T for single carrier, B_{RFBW} , M_{RFBW} and T_{RFBW} for single band operation shall be specified by the laboratory. The laboratory may consult with operators, the manufacturer or other bodies.

4.9.2 Test models

4.9.2.1 General

The following clauses will describe the NR SAN FR1 test models needed for *SAN type 1-H* and *SAN type 1-O*.

4.9.2.2 FR1 test models

The set-up of physical channels for transmitter tests shall be according to one of the NR SAN FR1 test models (NR-SAN-FR1-TM) below. A reference to the applicable test model is made within each test.

The following general parameters are used by all NR SAN test models:

- Duration is 1 radio frame (10 ms) for FDD
- The slots are numbered 0 to $10 \times 2^\mu - 1$ where μ is the numerology corresponding to the subcarrier spacing (15kHz, 30kHz, and 60kHz)
- N_{RB} is the maximum transmission bandwidth configuration seen in table 5.3.2-1 in TS 38.108 [2].
- Normal CP
- Virtual resource blocks of localized type

Common physical channel parameters for all NR SAN FR1 test models are specified in the following tables: table 4.9.2.2-1 for PDCCH, table 4.9.2.2-2 and table 4.9.2.2-3 for PDSCH. Specific physical channel parameters for NR SAN FR1 test models are described in clauses 4.9.2.2.1 to 4.9.2.2.6.

Table 4.9.2.2-1: Common physical channel parameters for PDCCH for *SAN type 1-H* and *SAN type 1-O* test models

Parameter	Value
# of symbols used for control channel	2
Starting symbol number for control channel	0
# of CCEs allocated to PDCCH	1
Starting RB location for PDCCH	0
# of available REGs	6
Aggregation level	1
# of RBs not allocated for PDCCH in each symbol	$N_{\text{RB}} - 3$
Ratio of PDCCH EPRE to DM-RS EPRE	0 dB
Boosting level of control channel	0 dB

Table 4.9.2.2-2: Common physical channel parameters for PDSCH for SAN type 1-H and SAN type 1-O test models

Parameter	Value
Mapping type	PDSCH mapping type A
<i>dmrs-TypeA-Position</i> for the first DM-RS symbol	pos2
<i>dmrs-AdditionalPosition</i> for additional DM-RS symbol(s)	1
<i>dmrs-Type</i> for comb pattern	Configuration type 1
<i>maxLength</i>	1
Ratio of PDSCH EPRE to DM-RS EPRE	0 dB

Table 4.9.2.2-3: Common physical channel parameters for PDSCH by RNTI for SAN type 1-H and SAN type 1-O test models

Parameter	Value
PDSCH $n_{\text{RNTI}} = 0$	
Starting symbol	0
Ratio of PDSCH EPRE to PDCCH EPRE	0 dB
PDSCH $n_{\text{RNTI}} = 1$	
Starting symbol	0
Ratio of PDSCH EPRE to PDCCH EPRE	0 dB
PDSCH $n_{\text{RNTI}} = 2$	
Starting symbol	2
Ratio of PDSCH EPRE to PDCCH EPRE	0 dB
Starting PRB location	0
Number of PRBs	3

4.9.2.2.1 FR1 test model 1.1 (NR-SAN-FR1-TM1.1)

This model shall be used for tests on:

- SAN output power
- Unwanted emissions
 - Occupied bandwidth
 - ACLR
 - Operating band unwanted emissions
 - Transmitter spurious emissions

Common physical channel parameters are defined in clause 4.9.2.2. Specific physical channel parameters for NR-SAN-FR1-TM1.1 are defined in table 4.9.2.2.1-1.

Table 4.9.2.2.1-1: Specific physical channel parameters of NR-SAN-FR1-TM1.1

Parameter	Value
# of PRBs PDSCH $n_{\text{RNTI}} = 0$	$N_{\text{RB}} - 3$
Modulation PDSCH $n_{\text{RNTI}} = 0$	QPSK
Starting RB location of PDSCH $n_{\text{RNTI}} = 0$	3
Modulation of PDSCH $n_{\text{RNTI}} = 2$	QPSK
Starting RB location of PDSCH $n_{\text{RNTI}} = 2$	0

4.9.2.2.2 FR1 test model 1.2 (NR-SAN-FR1-TM1.2)

This model shall be used for tests on:

- Unwanted emissions
- ACLR
- Operating band unwanted emissions

Common physical channel parameters are defined in clause 4.9.2.2. Specific physical channel parameters for NR-SAN-FR1-TM1.2 are defined in table 4.9.2.2.2-1.

Table 4.9.2.2.2-1: Specific physical channel parameters of NR-SAN-FR1-TM1.2

Parameter	Value
Target percent of QPSK PDSCH PRBs boosted	$x=40\%$
# of QPSK PDSCH RBGs which are boosted	$N_{RBG} = \min \left(\left\lfloor \frac{x(N_{RB}-3)}{P} \right\rfloor, \frac{1}{2} \left(\left\lfloor \frac{N_{RB}-3+3 \bmod P-P}{P} \right\rfloor - \left\lfloor \frac{N_{RB}-3+3 \bmod P-P}{P} \right\rfloor \bmod 2 \right) + 1 \right)$, where P is determined from table 5.1.2.2.1-1 from TS 38.214 [9], configuration 1 column using $N_{BWP}^{size} = N_{RB} - 3$ as the size of the bandwidth part and $N_{BWP}^{start} = 3$
Locations of PDSCH RBGs which are boosted	$\left\lfloor \frac{N_{RB}-3+3 \bmod P}{P} \right\rfloor - 1$ and if $N_{RBG} > 1, 1, 3, \dots, 2(N_{RBG} - 2) + 1$
Level of boosting (dB)	3
# of QPSK PDSCH PRBs which are deboosted	$N_{RB} - 3 - PN_{RBG}$
Locations of PDSCH RBGs which are deboosted	Starting at RB#3 and excluding PRBs of RBGs which are boosted
Level of deboosting (dB)	$10 \log_{10} \frac{N_{RB} - 3 - 10^{3/10} PN_{RBG}}{N_{RB} - 3 - PN_{RBG}}$
Modulation of PDSCH PRBs with $n_{RNTI} = 2$	QPSK

4.9.2.2.3 FR1 test model 2 (NR-SAN-FR1-TM2)

This model shall be used for tests on:

- Total power dynamic range (lower OFDM symbol TX power limit (OSTP) at min power)
- EVM of single 64QAM PRB allocation (at min power)
- Frequency error (at min power)

Common physical channel parameters are defined in clause 4.9.2.2. Specific physical channel parameters for NR-SAN-FR1-TM2 are defined in table 4.9.2.2.3-1.

Table 4.9.2.2.3-1: Specific physical channel parameters of NR-SAN-FR1-TM2

Parameter	Value		
# of 64QAM PDSCH PRBs	1		
Level of boosting (dB)	0		
Location of 64QAM PRB	Slot	RB	n
	$3n$	0	$n = 0, \dots, \left\lfloor \frac{10 \times 2^\mu}{3} \right\rfloor - 1$
	$3n+1$	$\left\lfloor \frac{N_{RB}}{2} \right\rfloor$	$n = 0, \dots, \left\lfloor \frac{10 \times 2^\mu - 1}{3} \right\rfloor - 1$
	$3n+2$	$N_{RB} - 1$	$n = 0, \dots, \left\lfloor \frac{10 \times 2^\mu - 2}{3} \right\rfloor - 1$
# of PDSCH PRBs which are not allocated	$N_{RB} - 1$		

4.9.2.2.4 FR1 test model 3.1 (NR-SAN-FR1-TM3.1)

This model shall be used for tests on:

- Output power dynamics
 - Total power dynamic range (upper OFDM symbol TX power limit (OSTP) at max power with all 64QAM PRBs allocated)
- Transmitted signal quality
 - Frequency error
 - EVM for 64QAM modulation (at max power)

NOTE: EVM shall be evaluated over PDSCH allocated PRBs with $n_{RNTI} = 0$ and $n_{RNTI} = 2$.

Common physical channel parameters are defined in clause 4.9.2.2. Physical channel parameters are defined in table 4.9.2.2.1-1 with all QPSK PDSCH PRBs replaced by 64QAM PDSCH PRBs.

4.9.2.2.5 FR1 test model 3.2 (NR-SAN-FR1-TM3.2)

This model shall be used for tests on:

- Transmitted signal quality
 - Frequency error
 - EVM for 16QAM modulation

Common physical channel parameters are defined in clause 4.9.2.2. Specific physical channel parameters for NR-SAN-FR1-TM3.2 are defined in table 4.9.2.2.5-1.

Table 4.9.2.2.5-1: Specific physical channel parameters of NR-SAN-FR1-TM3.2

Parameter	Value
Target percent of 16QAM PDSCH PRBs deboosted	$x = 60\%$
# of 16QAM PDSCH RBGs within a slot for which EVM is measured	$N_{RBG} = \min \left(\left\lfloor \frac{x(N_{RB}-3)}{P} \right\rfloor, \frac{1}{2} \left(\left\lfloor \frac{N_{RB}-3+3modP-P}{P} \right\rfloor - \left\lfloor \frac{N_{RB}-3+3modP-P}{P} \right\rfloor \bmod 2 \right) + 1 \right)$, where P is determined from table 5.1.2.2.1-1 from TS 38.214 [9], configuration 1 column using $N_{BWP}^{size} = N_{RB} - 3$ as the size of the bandwidth part and $N_{BWP}^{start} = 3$
Locations of 16QAM RBGs which are deboosted	$\left\lfloor \frac{N_{RB}-3+3modP}{P} \right\rfloor - 1$ and if $N_{RBG} > 1$, 1, 3, ..., $2(N_{RBG} - 2) + 1$
Level of deboosting (dB)	-3
# of QPSK PDSCH PRBs within a slot for which EVM is not measured (used for power balancing only)	$N_{RB} - 3 - PN_{RBG}$
Locations of PDSCH RBGs which are boosted	Starting at RB#3 and excluding PRBs of RBGs which are deboosted
Level of boosting (dB)	$10 \log_{10} \frac{N_{RB} - 3 - 10^{-3/10} PN_{RBG}}{N_{RB} - 3 - PN_{RBG}}$
Modulation of PDSCH PRBs with $n_{RNTI} = 2$ for which EVM is not measured	QPSK

4.9.2.2.6 FR1 test model 3.3 (NR-SAN-FR1-TM3.3)

This model shall be used for tests on:

- Transmitted signal quality
- Frequency error
- EVM for QPSK modulation

Common physical channel parameters are defined in clause 4.9.2.2. Specific physical channel parameters for NR-SAN-FR1-TM3.3 are defined in table 4.9.2.2.6-1.

Table 4.9.2.2.6-1: Specific physical channel parameters of NR-SAN-FR1-TM3.3

Parameter	Value
Target percent of QPSK PDSCH PRBs deboosted	$x = 50\%$
# of QPSK PDSCH RBGs within a slot for which EVM is measured	$N_{RBG} = \min \left(\left\lfloor \frac{x(N_{RB}-3)}{P} \right\rfloor, \frac{1}{2} \left(\left\lfloor \frac{N_{RB}-3+3modP-P}{P} \right\rfloor - \left\lfloor \frac{N_{RB}-3+3modP-P}{P} \right\rfloor \bmod 2 \right) + 1 \right)$, where P is determined from table 5.1.2.2.1-1 from TS 38.214 [9], configuration 1 column using $N_{BWP}^{size} = N_{RB} - 3$ as the size of the bandwidth part and $N_{BWP}^{start} = 3$
Level of deboosting (dB)	-6
Locations of QPSK RBGs which are deboosted	$\left\lfloor \frac{N_{RB}-3+3modP}{P} \right\rfloor - 1$ and if $N_{RBG} > 1$, 1, 3, ..., $2(N_{RBG} - 2) + 1$
Level of deboosting (dB)	-6
# of QPSK PDSCH PRBs within a slot for which EVM is not measured (used for power balancing only)	$N_{RB} - 3 - PN_{RBG}$
Locations of QPSK RBGs for power balancing	Starting at RB#3 and excluding PRBs of RBGs which are deboosted
Level of boosting (dB)	$10 \log_{10} \frac{N_{RB} - 3 - 10^{-6/10} PN_{RBG}}{N_{RB} - 3 - PN_{RBG}}$
Modulation of PDSCH PRBs with $n_{RNTI} = 2$ for which EVM is not measured	QPSK

4.9.2.3 Data content of Physical channels and Signals for NR-SAN-FR1-TM

Randomisation of the data content is obtained by utilizing a PN sequence generator and the length-31 Gold sequence scrambling of TS 38.211 [8], clause 5.2.1 which is invoked by all physical channels prior to modulation and mapping to the RE grid.

Initialization of the scrambler and RE-mappers as defined in TS 38.211 [8] use the following additional parameters:

- $N_{ID}^{cell} = 1$ for the lowest configured carrier, $N_{ID}^{cell} = 2$ for the 2nd lowest configured carrier, ..., $N_{ID}^{cell} = n$ for the nth configured carrier
- Antenna ports starting with 2000 for PDCCH
- $q = 0$ (single code word)
- Rank 1, single layer
- Antenna port starting with 1000 for PDSCH

4.9.2.3.1 PDCCH

- $N_{sym}^{CORESET} = 2$
- PDCCH modulation to be QPSK as described in TS 38.211 [8], clause 5.1.3
- For each slot the required amount of bits for all PDCCHs is as follows: 1(# of PDCCH) * 1(# of CCE per PDCCH) * 6(REG per CCE) * 9(data RE per REG) * 2(bits per RE) with these parameters according to the NR-SAN-FR1-TM definitions in clause 4.9.2.2
- Generate this amount of bits from the output of the PN23 sequence generator [10]. The PN sequence generator is initialized with a starting seed of "all ones" in the first allocated slot of each frame. The PN sequence is continuous over the slot boundaries.
- 1 CCE shall be according to TS 38.211 [8], clause 7.3.2 using non-interleaved CCE-to-REG mapping. PDCCH occupies the first 2 symbols for 6 resource-element groups, where a resource element group equals one resource block during one OFDM symbol.
- Perform PDCCH scrambling according to TS 38.211 [8], clause 7.3.2.3
- $N_{ID} = N_{ID}^{cell}$ in DM-RS sequence generation in TS 38.211 [8], clause 7.4.1.3
- $n_{RNTI} = 0$ in scrambling sequence generation in TS 38.211 [8], clause 7.3.2.3
- Perform mapping to REs according to TS 38.211 [8], clause 7.3.2.5.

4.9.2.3.2 PDSCH

- Generate the required amount of bits from the output of the PN23 sequence generator [10]. The PN sequence generator is initialized with a starting seed of "all ones" in the first allocated slot of each frame. The PN sequence is continuous over the slot boundaries. For TMs with multi-users, the PN sequence can be generated per user (n_{RNTI}).
- NR-SAN-FR1-TMs utilize 1, 2 or 3 user PDSCH transmissions distinguished by n_{RNTI} . For each NR-SAN-FR1-TM, PRBs are mapped to user (n_{RNTI}) as follows:

Table 4.9.2.3.2-1: Mapping of PRBs to n_{RNTI} for NR-SAN-FR1-TM

Test model	n_{RNTI}	Number of users
NR-SAN-FR1-TM1.1	2 for PRBs located in PRB#0-2 0 for remaining PRBs	2
NR-SAN-FR1-TM1.2	0 for boosted PRBs 1 for de-boosted PRBs 2 for PRBs located in PRB#0-2	3
NR-SAN-FR1-TM2	2 for all PRBs	1
NR-SAN-FR1-TM3.1	2 for PRBs located in PRB#0-2 0 for remaining PRBs	2
NR-SAN-FR1-TM3.2	0 for QPSK PRBs 1 for 16QAM PRBs 2 for PRBs located in PRB#0-2	3
NR-SAN-FR1-TM3.3	0 for QPSK PRBs for which EVM is not measured 1 for QPSK PRBs for which EVM is measured 2 for PRBs located in PRB#0-2	3

- Perform user specific scrambling according to TS 38.211 [8], clause 7.3.1.1.
- Perform modulation of the scrambled bits with the modulation scheme defined for each user according to TS 38.211 [8], clause 7.3.1.1
- $n_{\text{ID}} = N_{\text{ID}}^{\text{cell}}$
- Perform mapping of the complex-valued symbols to layer according to TS 38.211 [8], clause 7.3.1.3.
 $x^{(0)}(i) = d^{(0)}(i)$ $M_{\text{symb}}^{\text{layer}} = M_{\text{symb}}^{(0)}$ Complex-valued modulation symbols $d^{(q)}(0), \dots, d^{(q)}(M_{\text{symb}}^{(q)} - 1)$ for codeword q shall be mapped onto the layers $x(i) = [x^{(0)}(i) \ \dots \ x^{(v-1)}(i)]^T$, $i = 0, 1, \dots, M_{\text{symb}}^{\text{layer}} - 1$ where v is equal to number of layers.
- Perform PDSCH mapping according to TS 38.211 [8] using parameters listed in table 4.9.2.2-2.
- PDSCH resource allocation according to TS 38.214 [9] as following;
 - NR-SAN-FR1-TM1.1, NR-SAN-FR1-TM3.1: type 1 for PDSCH with $n_{\text{RNTI}} = 0$ and $n_{\text{RNTI}} = 2$,
 - NR-SAN-FR1-TM1.2, NR-SAN-FR1-TM3.2, NR-SAN-FR1-TM3.3: type 0 for PDSCH with $n_{\text{RNTI}} = 0$ and $n_{\text{RNTI}} = 1$, type 1 for PDSCH with $n_{\text{RNTI}} = 2$,
 - NR-SAN-FR1-TM2: type 1 for PDSCH with $n_{\text{RNTI}} = 2$.
- DM-RS sequence generation according to TS 38.211 [8], clause 7.4.1.1.1 where l is the OFDM symbol number within the slot with the symbols indicated by table 4.9.2.2-2.
- $N_{\text{ID}}^{\text{SCID}} = N_{\text{ID}}^{\text{cell}}$
- $n_{\text{SCID}} = 0$
- DM-RS mapping according to TS 38.211 [8], clause 7.4.1.1.2 using parameters listed in table 4.9.2.2-2.

4.9.2.4 FR2 test models

The set-up of physical channels for transmitter tests shall be according to one of the NR SAN FR2 test models (NR-SAN-FR2-TM) below. A reference to the applicable test model is made within each test.

The following general parameters are used by all NR SAN test models:

- Duration is 1 radio frame (10 ms) for FDD
- The slots are numbered 0 to $10 \times 2^\mu - 1$ where μ is the numerology corresponding to the subcarrier spacing (60kHz, and 120kHz)

- N_{RB} is the maximum transmission bandwidth configuration seen in table 5.3.2-2 in TS 38.108 [2].
- Normal CP
- Virtual resource blocks of localized type

Common physical channel parameters for all NR SAN FR2 test models are specified in the following tables: table 4.9.2.4-1 for PDCCH, table 4.9.2.4-2 and table 4.9.2.4-3 for PDSCH. Specific physical channel parameters for NR SAN FR2 test models are described in clauses 4.9.2.4.1 to 4.9.2.4.3.

Table 4.9.2.4-1: Common physical channel parameters for PDCCH for SAN type 2-O test models

Parameter	Value
# of symbols used for control channel	2
Starting symbol number for control channel	0
# of CCEs allocated to PDCCH	1
Starting RB location for PDCCH	0
# of available REGs	6
Aggregation level	1
# of RBs not allocated for PDCCH in each symbol	$N_{RB} - 3$
Ratio of PDCCH EPRE to DM-RS EPRE	0 dB
Boosting level of control channel	0 dB

Table 4.9.2.4-2: Common physical channel parameters for PDSCH for SAN type 2-O test models

Parameter	Value
mapping type	PDSCH mapping type A
<i>dmrs-TypeA-Position</i> for the first DM-RS symbol	'pos2'
<i>dmrs-AdditionalPosition</i> for additional DM-RS symbol(s)	0
<i>dmrs-Type</i> for comb pattern	Configuration type 1
maxLength	1
Ratio of PDSCH EPRE to DM-RS EPRE	0 dB
PTRS configuration and density	$L_{PT-RS} = 4$ $K_{PT-RS} = 2$ $k_{ref}^{RE} = 00$
Ratio of PT-RS EPRE to DM-RS EPRE	0 dB

Table 4.9.2.4-3: Common physical channel parameters for PDSCH by RNTI for SAN type 2-O test models

Parameter	Value
PDSCH $n_{RNTI} = 0$	
Starting symbol	0
Ratio of PDSCH EPRE to PDCCH EPRE	0 dB
PDSCH $n_{RNTI} = 2$	
Starting symbol	2
Ratio of PDSCH EPRE to PDCCH EPRE	0 dB
Starting PRB location	0
Number of PRBs	3

4.9.2.4.1 FR2 test model 1.1 (NR-SAN-FR2-TM1.1)

This model shall be used for tests on:

- Radiated transmit power
- SAN output power
- Unwanted emissions
- Occupied bandwidth

- ACLR
- Out-of-band emissions
- Transmitter spurious emissions

Common physical channel parameters are defined in clause 4.9.2.4. Specific physical channel parameters for NR-SAN-FR2-TM1.1 are defined in table 4.9.2.4.1-1.

Table 4.9.2.4.1-1: Specific physical channel parameters of NR-SAN-FR2-TM1.1

Parameter	Value
# of PRBs PDSCH $n_{\text{RNTI}} = 0$	$N_{\text{RB}} - 3$
Modulation PDSCH $n_{\text{RNTI}} = 0$	QPSK
Starting RB location of PDSCH $n_{\text{RNTI}} = 0$	3
Modulation of PDSCH $n_{\text{RNTI}} = 2$	QPSK
Starting RB location of PDSCH $n_{\text{RNTI}} = 2$	0

4.9.2.4.2 FR2 test model 2 (NR-SAN-FR2-TM2)

This model shall be used for tests on:

- Total power dynamic range (lower OFDM symbol TX power limit (OSTP) at min power)
- EVM of single PRB allocation (at min power)
- Frequency error (at min power)

Common physical channel parameters are defined in clause 4.9.2.4. Specific physical channel parameters for NR-SAN-FR2-TM2 are defined in table 4.9.2.4.2-1 for 64QAM. For 16QAM and QPSK, specific physical channel parameters for NR-SAN-FR2-TM2 are defined in table 4.9.2.4.2-1 with 64QAM PDSCH PRB replaced with selected modulation order PDSCH PRB according to the corresponding test procedure.

Table 4.9.2.4.2-1: Specific physical channel parameters of NR-SAN-FR2-TM2

Parameter	Value																
# of 64QAM PDSCH PRBs	1																
Level of boosting (dB)	0																
Location of 64QAM PRB	<table style="border: none;"> <tr> <td style="padding-right: 20px;">Slot</td> <td style="padding-right: 20px;">RB</td> <td style="padding-right: 20px;">n</td> <td></td> </tr> <tr> <td style="padding-right: 20px;">$3n$</td> <td style="padding-right: 20px;">0</td> <td style="padding-right: 20px;">$n = 0, \dots, \left\lfloor \frac{10 \times 2^\mu}{3} \right\rfloor - 1$</td> <td></td> </tr> <tr> <td style="padding-right: 20px;">$3n+1$</td> <td style="padding-right: 20px;">$\left\lfloor \frac{N_{\text{RB}}}{2} \right\rfloor$</td> <td style="padding-right: 20px;">$n = 0, \dots, \left\lfloor \frac{10 \times 2^\mu - 1}{3} \right\rfloor - 1$</td> <td></td> </tr> <tr> <td style="padding-right: 20px;">$3n+2$</td> <td style="padding-right: 20px;">$N_{\text{RB}} - 1$</td> <td style="padding-right: 20px;">$n = 0, \dots, \left\lfloor \frac{10 \times 2^\mu - 2}{3} \right\rfloor - 1$</td> <td></td> </tr> </table>	Slot	RB	n		$3n$	0	$n = 0, \dots, \left\lfloor \frac{10 \times 2^\mu}{3} \right\rfloor - 1$		$3n+1$	$\left\lfloor \frac{N_{\text{RB}}}{2} \right\rfloor$	$n = 0, \dots, \left\lfloor \frac{10 \times 2^\mu - 1}{3} \right\rfloor - 1$		$3n+2$	$N_{\text{RB}} - 1$	$n = 0, \dots, \left\lfloor \frac{10 \times 2^\mu - 2}{3} \right\rfloor - 1$	
Slot	RB	n															
$3n$	0	$n = 0, \dots, \left\lfloor \frac{10 \times 2^\mu}{3} \right\rfloor - 1$															
$3n+1$	$\left\lfloor \frac{N_{\text{RB}}}{2} \right\rfloor$	$n = 0, \dots, \left\lfloor \frac{10 \times 2^\mu - 1}{3} \right\rfloor - 1$															
$3n+2$	$N_{\text{RB}} - 1$	$n = 0, \dots, \left\lfloor \frac{10 \times 2^\mu - 2}{3} \right\rfloor - 1$															
# of PDSCH PRBs which are not allocated	$N_{\text{RB}} - 1$																

4.9.2.4.3 FR2 test model 3.1 (NR-SAN-FR2-TM3.1)

This model shall be used for tests on:

- Output power dynamics
- Total power dynamic range (upper OFDM symbol TX power limit (OSTP) at max power with all PRBs allocated)
- Transmitted signal quality
- Frequency error
- EVM for modulation (at max power)

NOTE: EVM shall be evaluated over PDSCH allocated PRBs with $n_{\text{RNTI}} = 0$ and $n_{\text{RNTI}} = 2$.

Common physical channel parameters are defined in clause 4.9.2.4. Specific physical channel parameters for NR-SAN-FR2-TM3.1 are defined in table 4.9.2.4.1-1 with all QPSK PDSCH PRBs replaced with selected modulation order PDSCH PRBs according to the corresponding test procedure.

4.9.2.5 Data content of Physical channels and Signals for NR-SAN-FR2-TM

Randomisation of the data content is obtained by utilizing a PN sequence generator and the length-31 Gold sequence scrambling of TS 38.211 [8], clause 5.2.1 which is invoked by all physical channels prior to modulation and mapping to the RE grid.

Initialization of the scrambler and RE-mappers as defined in TS 38.211 [8] use the following additional parameters:

- $N_{ID}^{cell} = 1$ for the lowest configured carrier, $N_{ID}^{cell} = 2$ for the 2nd lowest configured carrier, ..., $N_{ID}^{cell} = n$ for the nth configured carrier
- Antenna ports starting with 2000 for PDCCH
- $q = 0$ (single code word)
- Rank 1, single layer
- Antenna port starting with 1000 for PDSCH

4.9.2.5.1 PDCCH

- $N_{symb}^{CORESET} = 2$
- PDCCH modulation to be QPSK as described in TS 38.211 [8], clause 5.1.3
- For each slot the required amount of bits for all PDCCHs is as follows: 1(# of PDCCH) * 1(# of CCE per PDCCH) * 6(REG per CCE) * 9(data RE per REG) * 2(bits per RE) with these parameters according to the NR-SAN-FR2-TM definitions in clause 4.9.2.4
- Generate this amount of bits from the output of the PN23 sequence generator [10]. The PN sequence generator is initialized with a starting seed of "all ones" in the first allocated slot of each frame. The PN sequence is continuous over the slot boundaries.
- 1 CCE shall be according to TS 38.211 [8], clause 7.3.2 using non-interleaved CCE-to-REG mapping. PDCCH occupies the first 2 symbols for 6 resource-element groups, where a resource element group equals one resource block during one OFDM symbol.
- Perform PDCCH scrambling according to TS 38.211 [8], clause 7.3.2.3
- $N_{ID} = N_{ID}^{cell}$ in DM-RS sequence generation in TS 38.211 [8], clause 7.4.1.3
- $n_{RNTI} = 0$ in scrambling sequence generation in TS 38.211 [8], clause 7.3.2.3
- Perform mapping to REs according to TS 38.211 [8], clause 7.3.2.5.

4.9.2.5.2 PDSCH

- Generate the required amount of bits from the output of the PN23 sequence generator [10]. The PN sequence generator is initialized with a starting seed of "all ones" in the first allocated slot of each frame. The PN sequence is continuous over the slot boundaries. For TMs with multi-users, the PN sequence can be generated per user (n_{RNTI}).
- NR-SAN-FR2-TMs utilize 1 or 2 user PDSCH transmissions distinguished by n_{RNTI} . For each NR-SAN-FR2-TM, PRBs are mapped to user (n_{RNTI}) as follows:

Table 4.9.2.5.2-1: Mapping of PRBs to n_{RNTI} for NR-SAN-FR2-TM

Test model	n_{RNTI}	Number of users
NR-SAN-FR2-TM1.1	2 for PRBs located in PRB#0-2 0 for remaining PRBs	2
NR-SAN-FR2-TM2	2 for all PRBs	1
NR-SAN-FR2-TM3.1	2 for PRBs located in PRB#0-2 0 for remaining PRBs	2

- Perform user specific scrambling according to TS 38.211 [8], clause 7.3.1.1.
- Perform modulation of the scrambled bits with the modulation scheme defined for each user according to TS 38.211 [8], clause 7.3.1.2
- $n_{\text{ID}} = N_{\text{ID}}^{\text{cell}}$
- Perform mapping of the complex-valued symbols to layer according to TS 38.211 [8], clause 7.3.1.3.
 $x^{(0)}(i) = d^{(0)}(i)$ $M_{\text{symb}}^{\text{layer}} = M_{\text{symb}}^{(0)}$ Complex-valued modulation symbols $d^{(q)}(0), \dots, d^{(q)}(M_{\text{symb}}^{(q)} - 1)$ for codeword q shall be mapped onto the layers $x(i) = [x^{(0)}(i) \ \dots \ x^{(v-1)}(i)]^T$, $i=0,1,\dots,M_{\text{symb}}^{\text{layer}}-1$ where v is equal to number of layers.
- Perform PDSCH mapping according to TS 38.211 [8] using parameters listed in table 4.9.2.4-2.
- PDSCH resource allocation according to TS 38.214 [9] as following;
 - NR-SAN-FR2-TM1.1, NR-SAN-FR2-TM3.1: type 1 for PDSCH with $n_{\text{RNTI}} = 0$, $n_{\text{RNTI}} = 2$
 - NR-SAN-FR2-TM2: type 1 for PDSCH with $n_{\text{RNTI}} = 2$
- DM-RS sequence generation according to TS 38.211 [8], clause 7.4.1.1.1 where l is the OFDM symbol number within the slot with the symbols indicated by table 4.9.2.4-2.
- $N_{\text{ID}}^{\text{SCID}} = N_{\text{ID}}^{\text{cell}}$
- $n_{\text{SCID}} = 0$
- DM-RS mapping according to TS 38.211 [8], clause 7.4.1.1.2 using parameters listed in table 4.9.2.4-2.
- For NR-SAN-FR2-TM PT-RS sequence generation according to TS 38.211 [8], clause 7.4.1.2.1, with parameters listed in table 4.9.2.4-2.
- For NR-SAN-FR2-TM PT-RS mapping according to TS 38.211 [8], clause 7.4.1.2.2, with parameters listed in table 4.9.2.4-2.

4.10 Void

4.11 Reference coordinate system

Radiated requirements are stated in terms of electromagnetic characteristics (e.g. EIRP and EIS) at certain angles with respect to the base station. To be able to declare radiated characteristics part of radiated requirements a reference coordinate system is required. The reference coordinate system is should be associated to an identifiable physical feature on the base station enclosure. The location of the origin and the orientation of the reference coordinate system are for the base station manufacturer to declare.

The reference coordinate system is created of a Cartesian coordinate system with rectangular axis (x, y, z) and spherical angles (θ , ϕ) as showed in figure 4.11-1.

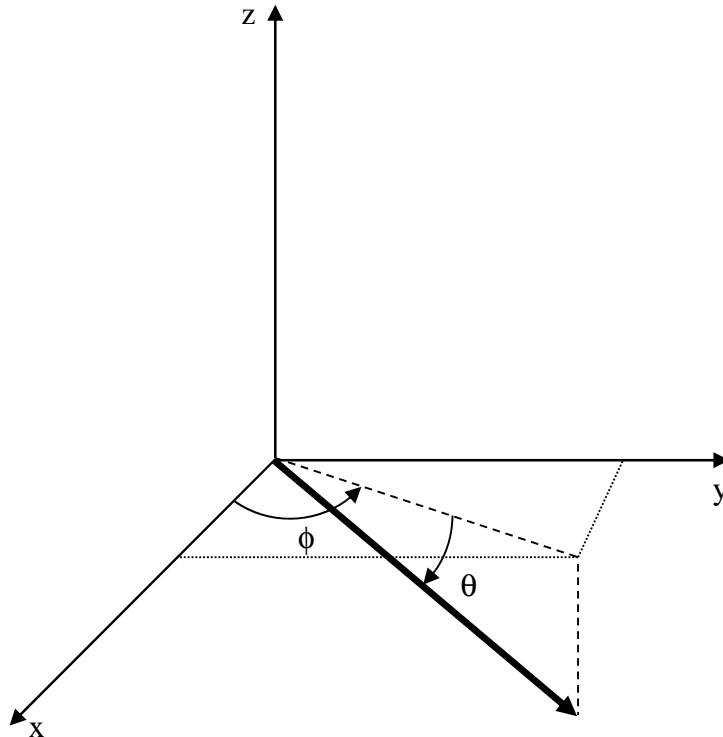


Figure 4.11-1: Reference coordinate system

ϕ is the angle in the x/y plane, between the x-axis and the projection of the radiating vector onto the x/y plane and is defined between -180° and $+180^\circ$, inclusive. θ is the angle between the projection of the vector in the x/y plane and the radiating vector and is defined between -90° and $+90^\circ$, inclusive. Note that θ is defined as positive along the down-tilt angle.

4.12 Format and interpretation of tests

Each test has a standard format:

X Title

All tests are applicable to all equipment within the scope of the present document, unless otherwise stated.

X.1 Definition and applicability

This clause gives the general definition of the parameter under consideration and specifies whether the test is applicable to all equipment or only to a certain subset. Required manufacturer declarations may be included here.

X.2 Minimum requirement

This clause contains the reference to the clause to the 3GPP reference (or core) specification which defines the minimum requirement.

X.3 Test purpose

This clause defines the purpose of the test.

X.4 Method of test

X.4.1 General

In some cases there are alternative test procedures or initial conditions. In such cases, guidance for which initial conditions and test procedures can be applied are stated here. In the case only one test procedure is applicable, that is stated here.

X.4.2 First test method

X.4.2.1 Initial conditions

This clause defines the initial conditions for each test, including the test environment, the RF channels to be tested and the basic measurement set-up.

X.4.2.2 Procedure

This clause describes the steps necessary to perform the test and provides further details of the test definition like domain (e.g. frequency-span), range, weighting (e.g. bandwidth), and algorithms (e.g. averaging). The procedure may comprise data processing of the measurement result before comparison with the test requirement (e.g. average result from several measurement positions).

X.4.2a Alternative test method (if any)

If there are alternative test methods, each is described with its initial conditions and procedures.

X.5 Test requirement

This clause defines the pass/fail criteria for the equipment under test, see clause 4.1.3 (Interpretation of measurement results). Test requirements for every minimum requirement referred in clause X.2 are listed here. Cases where minimum requirements do not apply need not be mentioned.

5 Operating bands and channel arrangement

For the NR operating bands specification, their channel bandwidth configurations, channel spacing and raster, as well as synchronization raster specification, refer to TS 38.108 [2], clause 5 and its relevant clauses.

6 Conducted transmitter characteristics

6.1 General

6.1.1 SAN type 1-H

General test conditions for conducted transmitter tests are given in clause 4, including interpretation of measurement results and configurations for testing. SAN configurations for the tests are defined in clause 4.5.

If a number of *single-band connectors* have been declared equivalent (D.37), only a representative one is necessary to be tested to demonstrate conformance.

6.2 Satellite Access Node output power

6.2.1 Definition and applicability

The conducted SAN output power requirements are specified at *single-band connector*.

The *rated carrier output power* of the *SAN type 1-H* shall be as specified in table 6.2.1-1.

Table 6.2.1-1: SAN type 1-H rated output power limits for SAN classes

SAN class	$P_{\text{rated,c,sys}}$ (NOTE)	$P_{\text{rated,c,TABC}}$ (NOTE)
SAN GEO	$P_{\text{rated,c,sys,GEO}}$	$P_{\text{rated,c,TABC,GEO}}$
SAN LEO	$P_{\text{rated,c,sys,LEO}}$	$P_{\text{rated,c,TABC,LEO}}$
NOTE:	$P_{\text{rated,c,sys}}$ or $P_{\text{rated,c,TABC}}$ of SAN shall be based on manufacturer declaration and comply with regulation requirement.	

The output power limit for the respective SAN classes in table 6.2.1.-1 shall be compared to the rated output power and the declared SAN class. It is not subject to testing.

6.2.2 Minimum requirement

The minimum requirement applies per *single-band connector* supporting transmission in the *operating band*.

The minimum requirement for *SAN type 1-H* is defined in TS 38.108 [2], clause 6.2.2.

6.2.3 Test purpose

The test purpose is to verify the accuracy of the *maximum carrier output power* across the frequency range and under normal conditions.

6.2.4 Method of test

6.2.4.1 Initial conditions

Test environment:

- Normal, see annex B.2,

RF channels to be tested for single carrier: B, M and T; see clause 4.9.1

SAN RF Bandwidth positions to be tested for multi-carrier:

- B_{RFBW} , M_{RFBW} and T_{RFBW} for *single-band connector(s)*, see clause 4.9.1.

6.2.4.2 Procedure

For *SAN type 1-H* where there may be multiple *TAB connectors*, they may be tested one at a time or multiple *TAB connectors* may be tested in parallel as shown in annex D.1.1. Whichever method is used the procedure is repeated until all *TAB connectors* necessary to demonstrate conformance have been tested.

- 1) Connect the power measuring equipment to *single-band connector(s)* under test as shown in annex D.1.1 for *SAN type 1-H*. All connectors not under test shall be terminated.
- 2) For single carrier set the connector under test to transmit according to the applicable test configuration in clause 4.8 using the corresponding test models or set of physical channels in clause 4.9.2 at *rated carrier output power* $P_{\text{rated,c,TABC}}$ for *SAN type 1-H* (D.34).

For a connector under test declared to be capable of multi-carrier (D.39) set the connector under test to transmit on all carriers configured using the applicable test configuration and corresponding power setting specified in clauses 4.7 and 4.8 using the corresponding test models or set of physical channels in clause 4.9.2.

- 3) Measure the *maximum carrier output power* ($P_{\text{max,c,TABC}}$ for *SAN type 1-H*) for each carrier at each connector under test.

6.2.5 Test requirement

For each *single-band connector* under test, the power measured in clause 6.2.4.2 in step 3 shall remain within the values provided in table 6.2.5-1 for normal test environments, relative to the manufacturer's declared $P_{\text{rated,c,TABC}}$ for *SAN type 1-H* (D.34):

Table 6.2.5-1: Test requirement for conducted SAN output power

SAN type	Normal test environment
<i>SAN type 1-H</i>	$f \leq 3 \text{ GHz}: \pm 2.7 \text{ dB}$

6.3 Output power dynamics

6.3.1 General

The requirements in clause 6.3 apply during the *transmitter ON period*. Transmit signal quality requirements (as specified in clause 6.5) shall be maintained for the output power dynamics requirements of this clause.

6.3.2 RE power control dynamic range

6.3.2.1 Definition and applicability

The RE power control dynamic range is the difference between the power of an RE and the average RE power for a SAN at *maximum carrier output power* ($P_{\max,c,TABC}$) for a specified reference condition.

6.3.2.2 Minimum requirement

The minimum requirement applies per *single-band connector* in the *operating band*.

The minimum requirement for *SAN type 1-H* is defined in TS 38.108 [2], clause 6.3.2.2.

6.3.2.3 Test purpose

No specific test or test requirements are defined for conducted RE power control dynamic range. The Error Vector Magnitude (EVM) test, as described in clause 6.5.4 provides sufficient test coverage for this requirement.

6.3.3 Total power dynamic range

6.3.3.1 Definition and applicability

The SAN total power dynamic range is the difference between the maximum and the minimum transmit power of an OFDM symbol for a specified reference condition.

NOTE: The upper limit of the total power dynamic range is the OFDM symbol TX power (OSTP) for a SAN at maximum output power when transmitting on all RBs. The lower limit of the total power dynamic range is the average power for single RB transmission. The OFDM symbols shall carry PDSCH and not contain PDCCH, RS, or SSB.

6.3.3.2 Minimum requirement

The minimum requirement applies per *single-band connector*.

The minimum requirement for *SAN type 1-H* is in TS 38.108 [2], clause 6.3.3.2.

6.3.3.3 Test purpose

The test purpose is to verify that the total power dynamic range is within the limits specified by the minimum requirement.

6.3.3.4 Method of test

6.3.3.4.1 Initial conditions

Test environment: Normal, see annex B.2.

RF channels to be tested: M; see clause 4.9.1.

Set the channel set-up of the connector under as shown in annex D.3 for *SAN type 1-H*.

6.3.3.4.2 Procedure

For *SAN type I-H* where there may be multiple *TAB connectors*, they may be tested one at a time or multiple *TAB connectors* may be tested in parallel as shown in annex D.1.1. Whichever method is used the procedure is repeated until all *TAB connectors* necessary to demonstrate conformance have been tested.

- 1) Connect the *single-band connector(s)* under test as shown in annex D.1.1 for *SAN type I-H*. All connectors not under test shall be terminated.
- 2) Set each connector under test to transmit according to the applicable test configuration in clause 4.8 using the corresponding test models in clause 4.9.2 at *rated carrier output power* $P_{\text{rated,c,TABC}}$ for *SAN type I-H* (D.34).
- 3) For *SAN type I-H*, set the SAN to transmit a signal according to:
 - NR-SAN-FR1-TM3.1 if 64QAM is supported by SAN without power back off, or
 - NR-SAN-FR1-TM3.1 with all 64QAM PDSCH PRBs replaced by 16QAM PDSCH PRBs if 64QAM is supported by SAN with power back off, or
 - NR-SAN-FR1-TM3.1 with all 64QAM PDSCH PRBs replaced by 16QAM PDSCH PRBs if 64QAM is not supported by SAN but 16QAM is supported by SAN, or
 - NR-SAN-FR1-TM3.1 with all 64QAM PDSCH PRBs replaced by QPSK PDSCH PRBs if 64QAM and 16QAM are both not supported by SAN.
- 4) Measure the OFDM symbol TX power (OSTP) as defined in the annex H.
- 5) For *SAN type I-H*, set the SAN to transmit a signal according to:
 - NR-SAN-FR1-TM2 if 64QAM is supported by SAN, or
 - NR-SAN-FR1-TM2 with all 64QAM PDSCH PRBs replaced by 16QAM PDSCH PRBs if 64QAM is not supported by SAN and 16QAM is supported;
 - NR-SAN-FR1-TM2 with all 64QAM PDSCH PRBs replaced by QPSK PDSCH PRBs if 64QAM and 16QAM are both not supported;
- 6) Measure the OFDM symbol TX power (OSTP) as defined in the annex H.

6.3.3.5 Test requirements

The downlink (DL) total power dynamic range for each NR carrier shall be larger than or equal to the level in table 6.3.4.5-1.

Table 6.3.3.5-1: SAN total power dynamic range

SAN channel bandwidth (MHz)	Total power dynamic range (dB)		
	15 kHz SCS	30 kHz SCS	60 kHz SCS
5	13.5	10	N/A
10	16.7	13.4	10
15	18.5	15.3	12.1
20	19.8	16.6	13.4

NOTE: Additional test requirements for the EVM at the lower limit of the dynamic range are defined in clause 6.5.4.

6.4 Transmit ON/OFF power

The requirement is not applicable in this version of the specification.

6.5 Transmitted signal quality

6.5.1 General

The requirements in clause 6.5 apply during the *transmitter ON period*.

6.5.2 Frequency error

6.5.2.1 Definition and applicability

Frequency error is the measure of the difference between the actual SAN transmit frequency and the assigned frequency. The same source shall be used for RF frequency and data clock generation.

It is not possible to verify by testing that the data clock is derived from the same frequency source as used for RF generation. This may be confirmed by the manufacturer's declaration.

For *SAN type I-H* this requirement shall be applied at each *TAB connector* supporting transmission in the *operating band*.

6.5.2.2 Minimum Requirement

The minimum requirement is in TS 38.108 [2], clause 6.5.1.2.

6.5.2.3 Test purpose

The test purpose is to verify that frequency error is within the limit specified by the minimum requirement.

6.5.2.4 Method of test

Requirement is tested together with modulation quality test, as described in clause 6.5.3.

6.5.2.5 Test Requirements

The modulated carrier frequency of each NR carrier configured by the SAN shall be accurate to within 0.05 ppm + 12 Hz (tolerance) observed over 1 ms.

6.5.3 Modulation quality

6.5.3.1 Definition and applicability

Modulation quality is defined by the difference between the measured carrier signal and an ideal signal. Modulation quality can e.g. be expressed as Error Vector Magnitude (EVM). The Error Vector Magnitude is a measure of the difference between the ideal symbols and the measured symbols after the equalization. This difference is called the error vector.

For *SAN type I-H* this requirement shall be applied at each *TAB connector* supporting transmission in the *operating band*.

6.5.3.2 Minimum Requirement

The minimum requirement is in TS 38.108 [2], clause 6.5.2.2.

6.5.3.3 Test purpose

The test purpose is to verify that modulation quality is within the limit specified by the minimum requirement.

6.5.3.4 Method of test

6.5.3.4.1 Initial conditions

Test environment: Normal; see annex B.2.

RF channels to be tested for single carrier: B, M and T; see clause 4.9.1.

RF bandwidth positions to be tested for multi-carrier:

- B_{RFBW} , M_{RFBW} and T_{RFBW} in single-band operation, see clause 4.9.1.

6.5.3.4.2 Procedure

The minimum requirement is applied to all *TAB connectors*, they may be tested one at a time or multiple *TAB connectors* may be tested in parallel as shown in annex D.1.1 for *SAN type 1-H*. Whichever method is used the procedure is repeated until all *TAB connectors* necessary to demonstrate conformance have been tested.

- 1) For a *TAB connector* declared to be capable of single carrier operation only (D.39), set the *TAB connector* under test to transmit a signal according to the applicable test configuration in clause 4.8 using the corresponding test models:
 - NR-SAN-FR1-TM3.1 if 64QAM is supported by SAN without power back off, or
 - NR-SAN-FR1-TM3.1 at manufacturer's declared rated output power if 64QAM is supported by SAN with power back off, and NR-SAN-FR1-TM3.2 at maximum power, or
 - NR-SAN-FR1-TM3.2 if highest modulation order supported by SAN is 16QAM, or
 - NR-SAN-FR1-TM3.3 if highest modulation order supported by SAN is QPSK.

For *TAB connector* declared to be capable of multi-carrier operation, set the *TAB connector* under test to transmit according to the applicable test configuration and corresponding power setting specified in clauses 4.7 and 4.8 using the corresponding test models on all carriers configured:

- NR-SAN-FR1-TM3.1 if 64QAM is supported by SAN without power back off, or
- NR-SAN-FR1-TM3.1 at manufacturer's declared rated output power if 64QAM is supported by SAN with power back off, and NR-SAN-FR1-TM3.2 at maximum power, or
- NR-SAN-FR1-TM3.2 if highest modulation order supported by SAN is 16QAM, or
- NR-SAN-FR1-TM3.3 if highest modulation order supported by SAN is QPSK.

For NR-SAN-FR1-TM3.1, power back-off shall be applied if it is declared.

- 2) Measure the EVM and frequency error as defined in annex H.

6.5.3.5 Test requirements

The EVM of each NR carrier for different modulation schemes on PDSCH shall be less than the limits in table 6.5.3.5-1.

Table 6.5.3.5-1 EVM requirements for *SAN type 1-H carrier*

Modulation scheme for PDSCH	Required EVM
QPSK	18.5 %
16QAM	13.5 %
64QAM (NOTE)	9 %
NOTE: EVM requirement for 64QAM is optional.	

EVM shall be evaluated for each NR carrier over all allocated resource blocks and downlink slots. Different modulation schemes listed in table 6.5.3.5-1 shall be considered for rank 1.

For all bandwidths, the EVM measurement shall be performed for each NR carrier over all allocated resource blocks and downlink slots within 10 ms measurement periods. The boundaries of the EVM measurement periods need not be aligned with radio frame boundaries.

Table 6.5.3.5-2, 6.5.3.5-3, 6.5.3.5-4 below specify the EVM window length (W) for normal CP for *SAN type I-H*.

Table 6.5.3.5-2 EVM window length for normal CP for NR, FR1, 15 kHz SCS

Channel bandwidth (MHz)	FFT size	CP length for symbols 1-6 and 8-13 in FFT samples	EVM window length W	Ratio of W to total CP length for symbols 1-6 and 8-13 (Note) (%)
5	512	36	14	40
10	1024	72	28	40
15	1536	108	44	40
20	2048	144	58	40

NOTE: These percentages are informative and apply to a slot's symbols 1 to 6 and 8 to 13. Symbols 0 and 7 have a longer CP and therefore a lower percentage.

Table 6.5.3.5-3 EVM window length for normal CP for NR, FR1, 30 kHz SCS

Channel bandwidth (MHz)	FFT size	CP length for symbols 1-13 in FFT samples	EVM window length W	Ratio of W to total CP length for symbols 1-13 (Note) (%)
5	256	18	8	40
10	512	36	14	40
15	768	54	22	40
20	1024	72	28	40

NOTE: These percentages are informative and apply to a slot's symbols 1 through 13. Symbol 0 has a longer CP and therefore a lower percentage.

Table 6.5.3.5-4 EVM window length for normal CP for NR, FR1, 60 kHz SCS

Channel bandwidth (MHz)	FFT size	CP length in FFT samples	EVM window length W	Ratio of W to total CP length (Note) (%)
10	256	18	8	40
15	384	27	11	40
20	512	36	14	40

NOTE: These percentages are informative and apply to all OFDM symbols within subframe except for symbol 0 of slot 0 and slot 2. Symbol 0 of slot 0 and slot 2 may have a longer CP and therefore a lower percentage.

6.6 Unwanted emissions

6.6.1 General

Unwanted emissions consist of out-of-band emissions and spurious emissions according to ITU definitions [4]. In ITU terminology, out of band emissions are unwanted emissions immediately outside the *SAN channel bandwidth* resulting from the modulation process and non-linearity in the transmitter but excluding spurious emissions. Spurious emissions are emissions which are caused by unwanted transmitter effects such as harmonics emission, parasitic emission, intermodulation products and frequency conversion products, but exclude out of band emissions.

The out-of-band emissions requirement for the *SAN* transmitter is specified both in terms of Adjacent Channel Leakage power Ratio (ACLR) and out-of-band emissions (OOBE). There is in addition a requirement for occupied bandwidth.

Table 6.6.1-1: Void

For *SAN type I-H* the unwanted emission requirements are applied to sum of power over all *TAB connectors* for all the configurations supported by the *SAN*, except for occupied bandwidth in subclause 6.6.2.

6.6.2 Occupied bandwidth

6.6.2.1 Definition and applicability

The occupied bandwidth is the width of a frequency band such that, below the lower and above the upper frequency limits, the mean powers emitted are each equal to a specified percentage $\beta/2$ of the total mean transmitted power. See also Recommendation ITU-R SM.328 [5].

The value of $\beta/2$ shall be taken as 0.5%.

The minimum requirement below may be applied regionally. There may also be regional requirements to declare the occupied bandwidth according to the definition in the present clause.

For SAN *type 1-H* this requirement shall be applied at each *TAB connector* supporting transmission in the *operating band*.

6.6.2.2 Minimum requirements

The minimum requirement for SAN *type 1-H* is defined in TS 38.108 [2] clause 6.6.2.

6.6.2.3 Test purpose

The test purpose is to verify that the emission at the *TAB connector* does not occupy an excessive bandwidth for the service to be provided and is, therefore, not likely to create interference to other users of the spectrum beyond undue limits.

6.6.2.4 Method of test

6.6.2.4.1 Initial conditions

Test environment: Normal; see annex B.2.

RF channels to be tested for single carrier: M; see clause 4.9.1.

- 1) Connect the measurement device to the *TAB connector* as shown in annex D.1.1 for SAN *type 1-H*.
- 2) For a SAN declared to be capable of single carrier operation (D.39), start transmission according to the applicable test configuration in clause 4.8 using the corresponding test model NR-SAN-FR1-TM1.1 at manufacturer's declared *rated carrier output power per TAB connector* ($P_{\text{rated,c,TABC}}$, D.34).

6.6.2.4.2 Procedure

- 1) Measure the spectrum emission of the transmitted signal using at least the number of measurement points, and across a span, as listed in table 6.6.2.4.2-1. The selected resolution bandwidth (RBW) filter of the analyser shall be 30 kHz or less.

Table 6.6.2.4.2-1: Span and number of measurement points for OBW measurements

Bandwidth	SAN channel bandwidth BW _{Channel} (MHz)			
	5	10	15	20
Span (MHz)	10	20	30	40
Minimum number of measurement points	400	400	400	400

NOTE: The detection mode of the spectrum analyzer will not have any effect on the result if the statistical properties of the out-of-OBW power are the same as those of the inside-OBW power. Both are expected to have the Rayleigh distribution of the amplitude of Gaussian noise. In any case where the statistics are not the same, though, the detection mode must be power responding. The analyser may be set to respond to the average of the power (root-mean-square of the voltage) across the measurement cell.

- 2) Compute the total of the power, P_0 , (in power units, not decibel units) of all the measurement cells in the measurement span. Compute P_1 , the power outside the occupied bandwidth on each side. P_1 is half of the total power outside the bandwidth. P_1 is half of (100 % - (occupied percentage)) of P_0 . For the occupied percentage of 99 %, P_1 is 0.005 times P_0 .
- 3) Determine the lowest frequency, f_1 , for which the sum of all power in the measurement cells from the beginning of the span to f_1 exceeds P_1 .
- 4) Determine the highest frequency, f_2 , for which the sum of all power in the measurement cells from f_2 to the end of the span exceeds P_1 .
- 5) Compute the occupied bandwidth as $f_2 - f_1$.

6.6.2.5 Test requirements

The occupied bandwidth for each carrier shall be less than the channel bandwidth as defined in TS 38.108 [2], table 5.3.5-1 for *SAN type 1-H*.

6.6.3 Adjacent Channel Leakage Power Ratio (ACLR)

6.6.3.1 Definition and applicability

Adjacent Channel Leakage power Ratio (ACLR) is the ratio of the filtered mean power centred on the assigned channel frequency to the filtered mean power centred on an adjacent channel frequency.

The requirements shall apply outside the Satellite Access Node RF Bandwidth or Radio Bandwidth whatever the type of transmitter considered (e.g. single carrier or multi-carrier) and for all transmission modes foreseen by the manufacturer's specification.

6.6.3.2 Minimum requirement

The minimum requirement applies per *single-band connector* supporting transmission in the *operating band*.

The minimum requirement for *SAN type 1-H* is defined in TS 38.108 [2], clause 6.6.3.4.

6.6.3.3 Test purpose

To verify that the adjacent channel leakage power ratio requirement shall be met as specified by the minimum requirement.

6.6.3.4 Method of test

6.6.3.4.1 Initial conditions

Test environment: Normal; see annex B.2.

RF channels to be tested for single carrier: B, M and T; see clause 4.9.1.

Satellite Access Node RF Bandwidth positions to be tested for multi-carrier:

- B_{RFBW} , M_{RFBW} and T_{RFBW} in single-band operation; see clause 4.9.1.

6.6.3.4.2 Procedure

For *SAN type I-H* where there may be multiple *TAB connectors*, they may be tested one at a time or multiple *TAB connectors* may be tested in parallel as shown in annex D.1.1 for *SAN type I-H*. Whichever method is used the procedure is repeated until all *TAB connectors* necessary to demonstrate conformance have been tested.

- 1) Connect the *single-band connector* or *multi-band connector* under test to measurement equipment as shown in annex D.1.1 for *SAN type I-H*. All connectors not under test shall be terminated.

The measurement device characteristics shall be:

- Measurement filter bandwidth: defined in clause 6.6.3.5.
 - Detection mode: true RMS voltage or true average power.
- 2) For a connectors declared to be capable of single carrier operation only (D.39), set the representative connectors under test to transmit according to the applicable test configuration in clause 4.8 using the corresponding test models NR-SAN-FR1-TM 1.1 in clause 4.9.2 at *rated carrier output power* $P_{\text{rated,c,TABC}}$ for *SAN type I-H* (D.34).

For a connector under test declared to be capable of multi-carrier operation set the connector under test to transmit on all carriers configured using the applicable test configuration and corresponding power setting specified in clauses 4.7 and 4.8 using the corresponding test models or set of physical channels in clause 4.9.2.

- 3) Measure ACLR for the frequency offsets both side of channel frequency as specified in table 6.6.3.5.2-1. In multiple carrier case only offset frequencies below the lowest and above the highest carrier frequency used shall be measured.
- 4) Repeat the test with the channel set-up according to NR-SAN-FR1-TM 1.2 in clause 4.9.2.

6.6.3.5 Test requirements

6.6.3.5.1 General requirements

The ACLR requirements in clause 6.6.3.5.2 shall apply as described in clauses 6.6.3.5.3 or 6.6.3.5.4.

6.6.3.5.2 Limits

The ACLR is defined with a square filter of bandwidth equal to the transmission bandwidth configuration of the transmitted signal (BW_{Config}) centred on the assigned channel frequency and a filter centred on the adjacent channel frequency according to the tables below.

The ACLR shall be higher than the value specified in Table 6.6.3.5.2-1/2.

Table 6.6.3.5.2-1: SAN ACLR limit for GEO class

SAN channel bandwidth of lowest/highest carrier transmitted BW_{Channel} (MHz)	SAN adjacent channel centre frequency offset below the lowest or above the highest carrier centre frequency transmitted	Assumed adjacent channel carrier (informative)	Filter on the adjacent channel frequency and corresponding filter bandwidth	ACLR limit
5, 10, 15, 20	BW_{Channel}	NR of same BW (NOTE 2)	Square (BW_{Config}) (NOTE 1)	13.2
	$2 \times BW_{\text{Channel}}$	NR of same BW (NOTE 2)	Square (BW_{Config}) (NOTE 1)	13.2
NOTE 1: BW_{Channel} and BW_{Config} are the <i>SAN channel bandwidth</i> and <i>transmission bandwidth configuration</i> of the <i>lowest/highest carrier</i> transmitted on the assigned channel frequency.				
NOTE 2: With SCS that provides largest transmission bandwidth configuration (BW_{Config}).				

Table 6.6.3.5.2-2: SAN ACLR limit for LEO class

SAN channel bandwidth of lowest/highest carrier transmitted BW_{Channel} (MHz)	SAN adjacent channel centre frequency offset below the lowest or above the highest carrier centre frequency transmitted	Assumed adjacent channel carrier (informative)	Filter on the adjacent channel frequency and corresponding filter bandwidth	ACLR limit
5, 10, 15, 20	BW_{Channel}	NR of same BW (NOTE 2)	Square (BW_{Config}) (NOTE 1)	23.2
	$2 \times BW_{\text{Channel}}$	NR of same BW (NOTE 2)	Square (BW_{Config}) (NOTE 1)	23.2
NOTE 1: BW_{Channel} and BW_{Config} are the SAN channel bandwidth and transmission bandwidth configuration of the lowest/highest carrier transmitted on the assigned channel frequency.				
NOTE 2: With SCS that provides largest transmission bandwidth configuration (BW_{Config}).				

6.6.4 Out-of-band emissions

6.6.4.1 Definition and applicability

Unless otherwise stated, the out-of-band emission (OOBE) limits for SAN in FR1 are defined from BW_{SAN} channel edge up to frequencies separated from the BW_{SAN} channel edge by 200% of the *necessary bandwidth*, where the *necessary bandwidth* is BW_{SAN} .

The requirements shall apply whatever the type of transmitter considered and for all transmission modes foreseen by the manufacturer's specification.

Basic limits are specified in the tables below, where:

- Δf is the separation between the BW_{SAN} channel edge frequency and the nominal -3dB point of the measuring filter closest to the carrier frequency.
- f_{offset} is the separation between the channel edge frequency and the centre of the measuring filter.
- $\Delta_{\text{Sat_Class}} [\text{dB}]$ is the SAN class parameter in dB identified to characterize different SAN classes.

6.6.4.2 Minimum requirement

The minimum requirement applies per *single-band connector* supporting transmission in the *operating band*.

The minimum requirement for SAN type I-H is defined in TS 38.108 [2], clause 6.6.4.2.

6.6.4.3 Test purpose

This test measures the emissions close to the assigned channel bandwidth of the wanted signal, while the transmitter is in operation.

6.6.4.4 Method of test

6.6.4.4.1 Initial conditions

Test environment: Normal; see annex B.2.

RF channels to be tested for single carrier: B, M and T; see clause 4.9.1.

SAN RF Bandwidth positions to be tested for multi-carrier: B_{RFBW} , M_{RFBW} and T_{RFBW} in single-band operation; see clause 4.9.1.

6.6.4.4.2 Procedure

For SAN type I-H where there may be multiple TAB connectors, they may be tested one at a time or multiple TAB connectors may be tested in parallel as shown in annex D.1.1. Whichever method is used the procedure is repeated until all TAB connectors necessary to demonstrate conformance have been tested.

- 1) Connect the single-band connector under test to measurement equipment as shown in annex D.1.1. All connectors not under test shall be terminated.

As a general rule, the resolution bandwidth of the measuring equipment should be equal to the measurement bandwidth. However, to improve measurement accuracy, sensitivity, efficiency and avoiding e.g. carrier leakage, the resolution bandwidth may be smaller than the measurement bandwidth. When the resolution bandwidth is smaller than the measurement bandwidth, the result should be integrated over the measurement bandwidth in order to obtain the equivalent noise bandwidth of the measurement bandwidth.

The measurement device characteristics shall be: Detection mode: True RMS.

The emission power should be averaged over an appropriate time duration to ensure the measurement is within the measurement uncertainty in table 4.1.2.2-1.

- 2) For a connectors declared to be capable of single carrier operation only, set the representative connectors under test to transmit according to the applicable test configuration in clause 4.8 at manufacturer's declared rated carrier output power per TAB connector ($P_{rated,c,TABC}$, D.34). Channel set-up shall be according to NR-SAN-FR1-TM 1.1.

For a connector under test declared to be capable of multi-carrier operation set the connector under test to transmit on all carriers configured using the applicable test configuration and corresponding power setting specified in clauses 4.7 and 4.8 using the corresponding test models or set of physical channels in clause 4.9.2.

- 3) Step the centre frequency of the measurement filter in contiguous steps and measure the emission within the specified frequency ranges with the specified measurement bandwidth.
- 4) Repeat the test for the remaining test cases, with the channel set-up according to NR-SAN-FR1-TM 1.2.

6.6.4.5 Test requirements

For SAN operating in bands defined in TS 38.108 [2] clause 5.2, the out-of-band emissions (OOBE) requirements for GEO and LEO classes are defined as described in table 6.6.4.5-1, in line with Annex 5 of ITU recommendation SM.1541-6 [6].

Table 6.6.4.5-1: SAN basic limits

Frequency offset of measurement filter -3dB point, Δf	Frequency offset of measurement filter centre frequency, f_offset	Basic limits (dBm)	Measurement bandwidth
$0 \text{ MHz} \leq \Delta f < 2 \times BW_{SAN}$	$0.002 \text{ MHz} \leq f_offset < 2 \times BW_{SAN} + 0.002 \text{ MHz}$	$\max \left(SE \text{ limit}, P_{rated,sys} - 10 \log_{10}(BW_{SAN}) - 24 - \Delta_{sat,class} [dB] - 40 \times \log_{10} \left(\frac{f_offset - 0.002}{BW_{SAN}} \times 2 + 1 \right) \right) \text{ dBm}$	4 kHz
NOTE 1: BW_{SAN} is in the unit of MHz. NOTE 2: SE limit is spurious emission limit specified in spurious emission clause 6.6.5. NOTE 3: PSD attenuation as in ITU-R SM.1541-6 [6], Annex 5 OoB domain emission limits for space services. NOTE 4: $\Delta_{sat,class} [dB]=0 \text{ dB}$ for GEO class and $\Delta_{sat,class} [dB]=3 \text{ dB}$ for LEO class.			

6.6.5 Transmitter spurious emissions

6.6.5.1 Definition and applicability

The transmitter spurious emission limits shall apply from 30 MHz to 11 GHz, excluding the SAN transponder bandwidth BW_{SAN} and the frequency range where the out-of-band emissions apply.

The lower limit and upper limit are as per ITU-R recommendation SM.329, Table 1: For systems operating within 600 MHz and 5.2 GHz, the lower limit is 30 MHz and the upper limit is the 5th harmonic of the higher frequency.

The lower limit of 30 MHz can be replaced as per ITU-R SM.329-12: Systems having an integral antenna incorporating a waveguide section, or with an antenna connection in such form, and of unperturbed length equal to at least twice the cut-off wavelength, do not require spurious domain emission measurements below 0.7 times the waveguide cut-off frequency.

The requirements shall apply whatever the type of transmitter considered (e.g. single carrier or multi-carrier). It applies for all transmission modes foreseen by the manufacturer's specification.

The requirements shall apply to SAN that support NR.

Unless otherwise stated, all requirements are measured as mean power (RMS).

6.6.5.2 Minimum requirement

The minimum requirement applies per *single-band connector* supporting transmission in the *operating band*.

The minimum requirement for *SAN type 1-H* is defined in Table 6.6.5.5.1.1-1.

6.6.5.3 Test purpose

This test measures conducted spurious emissions while the transmitter is in operation.

6.6.5.4 Method of test

6.6.5.4.1 Initial conditions

Test environment: Normal; see annex B.2.

RF channels to be tested for single carrier:

- B when testing the spurious emissions below the lower frequency edge of the *SAN transponder bandwidth* minus 2 times BW_{SAN} ,
- T when testing the spurious emissions above the upper frequency edge of the *SAN transponder bandwidth* plus 2 times BW_{SAN} ; see clause 4.9.1.

SAN RF Bandwidth positions to be tested for multi-carrier:

- B_{RFBW} when testing the spurious frequencies below the lower frequency edge of the *SAN transponder bandwidth* minus 2 times BW_{SAN} ; T_{RFBW} when testing the spurious frequencies above the upper frequency edge of the *SAN transponder bandwidth* plus 2 times BW_{SAN} in single-band operation; see clause 4.9.1.

6.6.5.4.2 Procedure

For *SAN type 1-H* where there may be multiple *TAB connectors*, they may be tested one at a time or multiple *TAB connectors* may be tested in parallel as shown in annex D.1.1. Whichever method is used the procedure is repeated until all *TAB connectors* necessary to demonstrate conformance have been tested.

- 1) Connect the *single-band connector* under test to measurement equipment as shown in annex D.1.1 for *SAN type 1-H*. All connectors not under test shall be terminated with a matched load.
- 2) Measurements shall use a measurement bandwidth in accordance to the conditions in clause 6.6.5.5.

The measurement device characteristics shall be:

- Detection mode: True RMS.

The emission power should be averaged over an appropriate time duration to ensure the measurement is within the measurement uncertainty in Table 4.1.2.2-1.

- 3) For a connectors declared to be capable of single carrier operation only (D.39), set the representative connectors under test to transmit according to the applicable test configuration in clause 4.8 at *rated carrier output power* ($P_{\text{rated,c,TABC}}$, D.34). Channel set-up shall be according to NR-FR1-TM 1.1.

For a connector under test declared to be capable of multi-carrier operation (D.39) set the connector under test to transmit on all carriers configured using the applicable test configuration and corresponding power setting specified in clauses 4.7 and 4.8 using the corresponding test models or set of physical channels in clause 4.9.2.

- 4) Measure the emission at the specified frequencies with specified measurement bandwidth.

6.6.5.5 Test requirements

6.6.5.5.1 Basic limits

6.6.5.5.1.1 Tx spurious emissions

The limits of Table 6.6.5.5.1.1-1 shall apply.

Table 6.6.5.5.1.1-1: General SAN transmitter spurious emission limits in FR1

Spurious frequency range	$P_{\text{rated,t,sys}}$ (dBm)	Basic limit (dBm)	Measurement bandwidth (kHz)	Notes
30 MHz – 5 th harmonic of the upper frequency edge of the DL operating band	≤ 47	-13	4	NOTE 1, NOTE 2, NOTE 3
	> 47	$P_{\text{rated,t,sys}} - 60\text{dB}$		
NOTE 1: <i>Measurement bandwidths</i> as in ITU-R SM.329 [4], s4.1.				
NOTE 2: Upper frequency as in ITU-R SM.329 [4], s2.5 table 1.				
NOTE 3: The lower frequency limit is replaced by 0.7 times the waveguide cut-off frequency, according to ITU-R SM.329 [4], for systems having an integral antenna incorporating a waveguide section, or with an antenna connection in such form, and of unperturbed length equal to at least twice the cut-off.				

6.7 Transmitter intermodulation

The requirement is not applicable in this version of the specification.

7 Conducted receiver characteristics

7.1 General

Conducted receiver characteristics are specified at the *TAB connector* for *SAN type I-H*, with full complement of transceivers for the configuration in normal operating condition.

Unless otherwise stated, the following arrangements apply for conducted receiver characteristics requirements in clause 7:

- Requirements shall be met for any transmitter setting.
- The requirements shall be met with the transmitter unit(s) ON.
- Throughput requirements do not assume HARQ retransmissions.
- When SAN is configured to receive multiple carriers, all the throughput requirements are applicable for each received carrier.

- For ACS and blocking characteristics, the negative offsets of the interfering signal apply relative to the lower *SAN RF Bandwidth* edge, and the positive offsets of the interfering signal apply relative to the upper *SAN RF Bandwidth* edge.

NOTE: In normal operating condition the SAN is configured to transmit and receive at the same time.

For *SAN type 1-H* if a number of *TAB connectors* have been declared equivalent (D.37), only a representative one is necessary to demonstrate conformance.

7.2 Reference sensitivity level

7.2.1 Definition and applicability

The reference sensitivity power level P_{REFSENS} is the minimum mean power received at the *TAB connector* for *SAN type 1-H* at which a throughput requirement shall be met for a specified reference measurement channel.

7.2.2 Minimum requirement

The minimum requirement for *SAN type 1-H* is in TS 38.108 [2], clause 7.2.2.

7.2.3 Test purpose

To verify that for the *SAN type 1-H* receiver at the reference sensitivity level the throughput requirement shall be met for a specified reference measurement channel.

7.2.4 Method of test

7.2.4.1 Initial conditions

Test environment:

- Normal; see annex B.2.

RF channels to be tested for single carrier: B, M and T; see clause 4.9.1.

7.2.4.2 Procedure

The minimum requirement is applied to all connectors under test.

For *SAN type 1-H* the procedure is repeated until all *TAB connectors* necessary to demonstrate conformance have been tested; see clause 7.1.

- 1) Connect the connector under test to measurement equipment as shown in annex D.2.1 for *SAN type 1-H*.
- 2) Set the SAN to transmit a signal using the applicable test configuration and corresponding power setting specified in clauses 4.7 and 4.8 using the corresponding test models or set of physical channels in clause 4.9.2, for *SAN type 1-H* set the *TAB connector* to the manufacturers declared *rated carrier output power* ($P_{\text{rated,c,TABC}}$, D.34).
- 3) Start the signal generator for the wanted signal to transmit the Fixed Reference Channels for reference sensitivity according to annex A.1.
- 4) Set the signal generator for the wanted signal power as specified in clause 7.2.5.
- 5) Measure the throughput according to annex A.1.

7.2.5 Test requirements

The throughput shall be $\geq 95\%$ of the maximum throughput of the reference measurement channel as specified in annex A.1 with parameters specified in table 7.2.5-1 and 7.2.5-2 for *SAN type 1-H* in all operating band in FR1-NTN.

Table 7.2.5-1: SAN GEO class reference sensitivity levels

SAN channel bandwidth (MHz)	Sub-carrier spacing (kHz)	Reference measurement channel (NOTE)	Reference sensitivity power level, P_{REFSENS} (dBm)
5, 10, 15	15	G-FR1-NTN-A1-1	-98.6
10, 15	30	G-FR1-NTN-A1-2	-98.7
10, 15	60	G-FR1-NTN-A1-3	-95.8
20	15	G-FR1-NTN-A1-4	-92.2
20	30	G-FR1-NTN-A1-5	-92.5
20	60	G-FR1-NTN-A1-6	-92.6
NOTE: P_{REFSENS} is the power level of a single instance of the reference measurement channel. This requirement shall be met for each consecutive application of a single instance of the reference measurement channel mapped to disjoint frequency ranges with a width corresponding to the number of resource blocks of the reference measurement channel each, except for one instance that might overlap one other instance to cover the full <i>SAN channel bandwidth</i> .			

Table 7.2.5-2: SAN LEO class reference sensitivity levels

SAN channel bandwidth (MHz)	Sub-carrier spacing (kHz)	Reference measurement channel (NOTE)	Reference sensitivity power level, P_{REFSENS} (dBm)
5, 10, 15	15	G-FR1-NTN-A1-1	-101.7
10, 15	30	G-FR1-NTN-A1-2	-101.8
10, 15	60	G-FR1-NTN-A1-3	-98.9
20	15	G-FR1-NTN-A1-4	-95.3
20	30	G-FR1-NTN-A1-5	-95.6
20	60	G-FR1-NTN-A1-6	-95.7
NOTE: P_{REFSENS} is the power level of a single instance of the reference measurement channel. This requirement shall be met for each consecutive application of a single instance of the reference measurement channel mapped to disjoint frequency ranges with a width corresponding to the number of resource blocks of the reference measurement channel each, except for one instance that might overlap one other instance to cover the full <i>SAN channel bandwidth</i> .			

7.3 Dynamic range

7.3.1 Definition and applicability

The dynamic range is specified as a measure of the capability of the receiver to receive a wanted signal in the presence of an interfering signal at the *TAB connector* for *SAN type 1-H* inside the received *SAN channel bandwidth*. In this condition, a throughput requirement shall be met for a specified reference measurement channel. The interfering signal for the dynamic range requirement is an AWGN signal.

7.3.2 Minimum requirement

The minimum requirement for *SAN type 1-H* is in TS 38.108 [2], clause 7.3.2.

7.3.3 Test purpose

To verify that the each *SAN type 1-H TAB connector* receiver dynamic range, the relative throughput shall fulfil the specified limit.

7.3.4 Method of test

7.3.4.1 Initial conditions

Test environment: Normal; see annex B.2.

RF channels to be tested for single carrier: M; see clause 4.9.1.

7.3.4.2 Procedure

The minimum requirement is applied to all connectors under test.

For *SAN type I-H* the procedure is repeated until all *TAB connectors* necessary to demonstrate conformance have been tested; see clause 7.1.

- 1) Connect the connector under test to measurement equipment as shown in annex D.2.2 for *SAN type I-H*.
- 2) Set the signal generator for the wanted signal to transmit as specified in table 7.3.5-1 according to the appropriate SAN class.
- 3) Set the Signal generator for the AWGN interfering signal at the same frequency as the wanted signal to transmit as specified in table 7.3.5-1 according to the appropriate SAN class.
- 4) Measure the throughput according to annex A.2.

7.3.5 Test requirements

The throughput shall be $\geq 95\%$ of the maximum throughput of the reference measurement channel as specified in annex A.2 with parameters specified in table 7.3.5-1 for SAN LEO class.

Table 7.3.5-1: SAN LEO class dynamic range

SAN channel bandwidth (MHz)	Subcarrier spacing (kHz)	Reference measurement channel	Wanted signal mean power (dBm)	Interfering signal mean power (dBm) / BW_{Config}	Type of interfering signal
5	15	G-FR1-NTN-A2-1	-76.1	-88.2	AWGN
	30	G-FR1-NTN-A2-2	-76.8		
10	15	G-FR1-NTN-A2-1	-76.1	-85.0	AWGN
	30	G-FR1-NTN-A2-2	-76.8		
	60	G-FR1-NTN-A2-3	-73.8		
15	15	G-FR1-NTN-A2-1	-76.1	-83.2	AWGN
	30	G-FR1-NTN-A2-2	-76.8		
	60	G-FR1-NTN-A2-3	-73.8		
20	15	G-FR1-NTN-A2-4	-69.9	-81.9	AWGN
	30	G-FR1-NTN-A2-5	-69.9		
	60	G-FR1-NTN-A2-6	-70.2		

NOTE: The wanted signal mean power is the power level of a single instance of the corresponding reference measurement channel. This requirement shall be met for each consecutive application of a single instance of the reference measurement channel mapped to disjoint frequency ranges with a width corresponding to the number of resource blocks of the reference measurement channel each, except for one instance that might overlap one other instance to cover the full *SAN channel bandwidth*.

7.4 In-band sensitivity and blocking

7.4.1 Adjacent Channel Selectivity (ACS)

7.4.1.1 Definition and applicability

Adjacent channel selectivity (ACS) is a measure of the receiver's ability to receive a wanted signal at its assigned channel frequency at *TAB connector* for *SAN type I-H* in the presence of an adjacent channel signal with a specified centre frequency offset of the interfering signal to the band edge of a victim system.

7.4.1.2 Minimum requirement

The minimum requirement for *SAN type I-H* is in TS 38.108 [2], clause 7.4.1.2.

7.4.1.3 Test purpose

The test purpose is to verify the ability of the SAN receiver filter to suppress interfering signals in the channels adjacent to the wanted channel.

7.4.1.4 Method of test

7.4.1.4.1 Initial conditions

Test environment: Normal; see annex B.2.

RF channels to be tested for single carrier (SC): M; see clause 4.9.1.

SAN RF Bandwidth positions to be tested for multi-carrier (MC):

- M_{RFBW} for *single-band connector(s)*, see clause 4.9.1,

7.4.1.4.2 Procedure

The minimum requirement is applied to all connectors under test.

For *SAN type I-H* the procedure is repeated until all *TAB connectors* necessary to demonstrate conformance have been tested; see clause 7.1.

- 1) Connect the connector under test to measurement equipment as shown in annex D.2.3 for *SAN type I-H*.
- 2) For FDD operation, set the SAN to transmit:
 - For single carrier operation set the connector under test to transmit at manufacturers declared *rated carrier output power* ($P_{\text{rated,c,TABC}}$, D.34).
 - For a connector under test declared to be capable of multi-carrier operation (D.39) set the connector under test to transmit on all carriers configured using the applicable test configuration and corresponding power setting specified in clauses 4.7 and 4.8 using the corresponding test models or set of physical channels in clause 4.9.2
- 3) Set the signal generator for the wanted signal to transmit as specified in table 7.4.1.5-1.
- 4) Set the signal generator for the interfering signal to transmit at the frequency offset and as specified in table 7.4.1.5-1 and 7.4.1.5-2.

7.4.1.5 Test requirements

The throughput shall be $\geq 95\%$ of the maximum throughput of the reference measurement channel.

For SAN, the wanted and the interfering signal coupled to the *SAN type 1-H TAB connector* are specified in table 7.4.1.5-1 and the frequency offset between the wanted and interfering signal in table 7.4.1.5-2 for ACS. The characteristics of the interfering signal is further specified in annex E.

The ACS requirement is applicable outside the SAN RF Bandwidth or Radio Bandwidth. The interfering signal offset is defined relative to the SAN RF Bandwidth edges or Radio Bandwidth edges.

Conducted requirement is defined at the *TAB connector* for *SAN type 1-H*.

Table 7.4.1.5-1: Satellite Access Node ACS requirement

SAN channel bandwidth of the lowest/highest carrier received (MHz)	Wanted signal mean power (dBm)	Interfering signal mean power (dBm)
5, 10, 15, 20 (NOTE 1)	$P_{\text{REFSENS}} + 6$ dB (NOTE 2)	GEO SAN class: -57 LEO SAN class: -60
NOTE 1: The SCS for the lowest/highest carrier received is the lowest SCS supported by the SAN for that bandwidth.		
NOTE 2: P_{REFSENS} depends on the <i>SAN channel bandwidth</i> as specified in table 7.2.2-1 and 7.2.2-2 in TS 38.108 [2].		

Table 7.4.1.5-2: Satellite Access Node ACS interferer frequency offset values

SAN channel bandwidth of the lowest/highest carrier received (MHz)	Interfering signal center frequency offset from the lower/upper SAN RF Bandwidth edge (MHz)	Type of interfering signal
5	± 2.5025	5 MHz CP-OFDM NR signal 15 kHz SCS, 25 RBs
10	± 2.5075	
15	± 2.5125	
20	± 2.5025	

7.4.2 In-band blocking

The requirement is not applicable in this version of the specification.

7.5 Out-of-band blocking

7.5.1 Definition and applicability

The out-of-band blocking characteristics is a measure of the receiver ability to receive a wanted signal at its assigned channel at the *TAB connector* for *SAN type 1-H* in the presence of an unwanted interferer out of the *operating band*, which is a CW signal for out-of-band blocking.

7.5.2 Minimum requirement

The minimum requirements for *BS type 1-H* are defined in TS 38.108 [2], clause 7.5.2.

7.5.3 Test purpose

To verify that for each *TAB connector* receiver dynamic range, the relative throughput shall fulfil the specified limit.

7.5.4 Method of test

7.5.4.1 Initial conditions

Test environment: Normal; see annex B.2.

RF channels to be tested for single carrier (SC): M; see clause 4.9.1.

SAN RF bandwidth positions to be tested for multi-carrier (MC): M_{RFBW} for *single-band connector(s)*, see clause 4.9.1.

7.5.4.2 Procedure

The minimum requirement is applied to all *TAB connectors* under test. For *SAN type 1-H* the procedure is repeated until all *TAB connectors* necessary to demonstrate conformance have been tested; see clause 7.1.

- 1) Connect the connector under test to measurement equipment as shown in annex D.2.3.
- 2) For FDD operation, set the *SAN* to transmit a signal according to clause 4.9.2, connector under test to transmit on all carriers configured using the applicable test configuration and corresponding power setting specified in clauses 4.7 and 4.8.

The transmitter may be turned OFF for the out-of-band blocker tests when the frequency of the blocker is such that no IM2 or IM3 products fall inside the bandwidth of the wanted signal.

- 3) Set the signal generator for the wanted signal as defined in clause 7.5.5 to transmit as specified in table 7.5.5-1.
- 4) Set the signal generator for the interfering signal to transmit at the frequency offset and as specified in table 7.5.5-1. The CW interfering signal shall be swept with a step size of 1 MHz over than range 1 MHz to $(F_{\text{UL,low}} - \Delta f_{\text{OOB}})$ MHz and $(F_{\text{UL,high}} + \Delta f_{\text{OOB}})$ MHz to 12750 MHz.
- 5) Measure the throughput according to annex A.1.

7.5.5 Test requirements

The throughput shall be $\geq 95\%$ of the maximum throughput of the reference measurement channel, with a wanted and an interfering signal coupled to *SAN type 1-H TAB connector* using the parameters in table 7.5.5-1.

The reference measurement channel for the wanted signal is identified in clause 7.2.2 for each *SAN channel bandwidth* and further specified in annex A.1.

The out-of-band blocking requirement apply from 1 MHz to $F_{\text{UL,low}} - \Delta f_{\text{OOB}}$ and from $F_{\text{UL,high}} + \Delta f_{\text{OOB}}$ up to 12750 MHz, including the downlink frequency range of the FDD *operating band* for *SAN*. The Δf_{OOB} for *SAN type 1-H* is defined in table 7.5.5-2.

Minimum conducted requirement is defined at the *TAB connector* for *SAN type 1-H*.

Table 7.5.5-1: Out-of-band blocking requirement for NR

Wanted signal mean power (dBm)	Interfering signal mean power (dBm)	Type of interfering signal
$P_{\text{PRESENS}} + 6$ dB (NOTE)	-44	CW carrier
NOTE: For <i>SAN</i> , P_{PRESENS} depends on the <i>SAN channel bandwidth</i> .		

Table 7.5.5-2: Δf_{OOB} offset for NR operating bands

<i>SAN type</i>	<i>Operating band characteristics</i>	Δf_{OOB} (MHz)
<i>SAN type 1-H</i>	$F_{\text{UL,high}} - F_{\text{UL,low}} < 100$ MHz	20

7.6 Receiver spurious emission

The requirement is not applicable in this version of the specification. *TAB connectors* shall always support both TX and RX.

7.7 Receiver intermodulation

The requirement is not applicable in this version of the specification.

7.8 In-channel selectivity

7.8.1 Definition and applicability

In-channel selectivity (ICS) is a measure of the receiver ability to receive a wanted signal at its assigned resource block locations at the *TAB connector* for *SAN type I-H* in the presence of an interfering signal received at a larger power spectral density. In this condition a throughput requirement shall be met for a specified reference measurement channel. The interfering signal shall be an NR signal which is time aligned with the wanted signal.

7.8.2 Minimum requirement

The minimum requirements for *SAN type I-H* are in TS 38.108 [2], clause 7.8.2.

7.8.3 Test purpose

The purpose of this test is to verify the SAN receiver ability to suppress the IQ leakage.

7.8.4 Method of test

7.8.4.1 Initial conditions

Test environment: Normal; see annex B.2.

RF channels to be tested for single carrier: M; see clause 4.9.1.

7.8.4.2 Procedure

The minimum requirement is applied to all connectors under test.

For *SAN type I-H* the procedure is repeated until all *TAB connectors* necessary to demonstrate conformance have been tested; see clause 7.1.

- 1) Set the signal generator for the wanted signal to transmit as specified from table 7.8.5-1 to 7.8.5-2.
- 2) Set the signal generator for the interfering signal to transmit at the frequency offset and as specified from table 7.8.5-1 to 7.8.5-2.
- 3) Measure the throughput according to annex A.1.

7.8.5 Test requirements

For *SAN type I-H*, the throughput shall be $\geq 95\%$ of the maximum throughput of the reference measurement channel as specified in annex A.1 with parameters specified in table 7.8.5-1 for SAN GEO class, in table 7.8.5-2 for SAN LEO class. The characteristics of the interfering signal is further specified in annex E.

Table 7.8.5-1: SAN GEO class ICS requirement

SAN channel bandwidth (MHz)	Subcarrier spacing (kHz)	Reference measurement channel	Wanted signal mean power (dBm)	Interfering signal mean power (dBm)	Type of interfering signal
5	15	G-FR1-A1-7	-96.8	-92.0	DFT-s-OFDM NR signal, 15 kHz SCS, 10 RBs
10,15,20	15	G-FR1-A1-1	-94.9	-88.1	DFT-s-OFDM NR signal, 15 kHz SCS, 25 RBs
5	30	G-FR1-A1-8	-97.5	-92.0	DFT-s-OFDM NR signal, 30 kHz SCS, 5 RBs
10,15,20	30	G-FR1-A1-2	-95	-89.0	DFT-s-OFDM NR signal, 30 kHz SCS, 10 RBs
10,15,20	60	G-FR1-A1-9	-94.4	-89.0	DFT-s-OFDM NR signal, 60 kHz SCS, 5 RBs
NOTE: Wanted and interfering signal are placed adjacently around F_c , where the F_c is defined for <i>SAN channel bandwidth</i> of the wanted signal according to the table 5.4.2.2-1. The aggregated wanted and interferer signal shall be centred in the <i>SAN channel bandwidth</i> of the wanted signal.					

Table 7.8.5-2: SAN GEO class ICS requirement

SAN channel bandwidth (MHz)	Subcarrier spacing (kHz)	Reference measurement channel	Wanted signal mean power (dBm)	Interfering signal mean power (dBm)	Type of interfering signal
5	15	G-FR1-A1-7	-99.9	-83.1	DFT-s-OFDM NR signal, 15 kHz SCS, 10 RBs
10,15,20	15	G-FR1-A1-1	-98	-79.2	DFT-s-OFDM NR signal, 15 kHz SCS, 25 RBs
5	30	G-FR1-A1-8	-100.6	-83.1	DFT-s-OFDM NR signal, 30 kHz SCS, 5 RBs
10,15,20	30	G-FR1-A1-2	-98.1	-80.1	DFT-s-OFDM NR signal, 30 kHz SCS, 10 RBs
10,15,20	60	G-FR1-A1-9	-97.5	-80.1	DFT-s-OFDM NR signal, 60 kHz SCS, 5 RBs
NOTE: Wanted and interfering signal are placed adjacently around F_c , where the F_c is defined for <i>SAN channel bandwidth</i> of the wanted signal according to the table 5.4.2.2-1. The aggregated wanted and interferer signal shall be centred in the <i>SAN channel bandwidth</i> of the wanted signal.					

8 Conducted performance characteristics

8.1 General

8.1.1 Scope and definitions

Conducted performance requirements specify the ability of the *SAN type 1-H* to correctly transmit and receive signals in various conditions and configurations. Conducted performance requirements are specified at the *TAB connector(s)* (for *SAN type 1-H*).

Conducted performance requirements for the SAN are specified for the fixed reference channels defined in TS 38.108 [2] annex A and for the propagation conditions defined in Recommendation ITU-R P.618 (*Propagation data and prediction methods required for the design of Earth-space telecommunication systems*).

Unless stated otherwise, performance requirements apply for a single carrier only. Performance requirements for a SAN supporting *carrier aggregation* are defined in terms of single carrier requirements.

For FDD operation the requirements in clause 8 shall be met with the transmitter units associated with *TAB connectors* (for *SAN type 1-H*) in the *operating band* turned ON.

NOTE: In normal operating conditions, *TAB connectors* (for *SAN type 1-H*) in FDD operation are configured to transmit and receive at the same time. The associated transmitter unit(s) may be OFF for some of the tests.

The SNR used in this clause is specified based on a single carrier and defined as:

$$\text{SNR} = S / N$$

Where:

S is the total signal power in the slot on a single on a single *TAB connector* (for *SAN type 1-H*).

N is the noise density integrated in a bandwidth corresponding to the *transmission bandwidth* over the same duration where signal energy exists on a single *TAB connector* (for *SAN type 1-H*).

8.1.2 Applicability rule

8.1.2.1 General

Unless otherwise stated, for a SAN supporting different numbers of *TAB connectors* (for *SAN type 1-H*) (see D.48 in table 4.6-1), the tests with low MIMO correlation level shall apply only for the highest number of supported connectors, and the specific connectors used for testing are based on manufacturer declaration. If performance requirement is not specified for the highest number of supported connectors, the tests shall be done by using performance requirement for the closest number of connectors lower than this highest number of supported connectors.

8.1.2.2 Applicability of PUSCH performance requirements

8.1.2.2.1 Applicability of requirements for different subcarrier spacings

Unless otherwise stated, PUSCH requirement tests shall apply only for each subcarrier spacing declared to be supported (see D.7 in table 4.6-1).

8.1.2.2.2 Applicability of requirements for different channel bandwidths

For each subcarrier spacing declared to be supported, the test requirements for a specific channel bandwidth shall apply only if the SAN supports it (see D.7 in table 4.6-1).

Unless otherwise stated, for each subcarrier spacing declared to be supported, the tests shall be done only for the widest supported channel bandwidth. If performance requirement is not specified for this widest supported channel bandwidth,

the tests shall be done by using performance requirement for the closest channel bandwidth lower than this widest supported bandwidth; the tested PRBs shall then be centered in this widest supported channel bandwidth.

8.1.2.2.3 Applicability of requirements for different configurations

Unless otherwise stated, PUSCH requirement tests shall apply only for the mapping type declared to be supported (see D.100 in table 4.6-1). If both mapping type A and type B are declared to be supported, the tests shall be done for either type A or type B; the same chosen mapping type shall then be used for all tests.

8.1.2.2.4 Applicability of PUSCH repetition type A requirements

Unless otherwise stated, PUSCH repetition type A requirements shall apply only for a SAN declaring support of low spectral efficiency MCS index table 3 and PUSCH repetition type A (see D.106 and D.107 in table 4.6-1).

8.1.2.3 Applicability of PUCCH performance requirements

8.1.2.3.1 Applicability of requirements for different formats

Unless otherwise stated, PUCCH requirement tests shall apply only for each PUCCH format declared to be supported (see D.101 in table 4.6-1).

8.1.2.3.2 Applicability of requirements for different subcarrier spacings

Unless otherwise stated, PUCCH requirement tests shall apply only for each subcarrier spacing declared to be supported (see D.7 in table 4.6-1).

8.1.2.3.3 Applicability of requirements for different channel bandwidths

For each subcarrier spacing declared to be supported by the SAN, the test requirements for a specific channel bandwidth shall apply only if the SAN supports it (see D.7 in table 4.6-1).

Unless otherwise stated, for each subcarrier spacing declared to be supported, the tests shall be done only for the widest supported channel bandwidth. If performance requirement is not specified for this widest supported channel bandwidth, the tests shall be done by using performance requirement for the closest channel bandwidth lower than this widest supported bandwidth; the tested PRBs shall then be centered in this widest supported channel bandwidth.

8.1.2.3.4 Applicability of requirements for different configurations

Unless otherwise stated, PUCCH format 3 requirement tests shall apply only for the additional DM-RS configuration declared to be supported (see D.103 in table 4.6-1). If both options (without and with additional DM-RS) are declared to be supported, the tests shall be done for either without or with additional DM-RS; the same chosen option shall then be used for all tests.

Unless otherwise stated, PUCCH format 4 requirement tests shall apply only for the additional DM-RS configuration declared to be supported (see D.104 in table 4.6-1). If both options (without and with additional DM-RS) are declared to be supported, the tests shall be done for either without or with additional DM-RS; the same chosen option shall then be used for all tests.

8.1.2.3.5 Applicability of requirements for multi-slot PUCCH

Unless otherwise stated, multi-slot PUCCH requirement tests shall apply only if the SAN supports it (see D.105 in table 4.6-1).

8.1.2.4 Applicability of PRACH performance requirements

8.1.2.4.1 Applicability of requirements for different formats

Unless otherwise stated, PRACH requirement tests shall apply only for each PRACH format declared to be supported (see D.102 in table 4.6-1).

8.1.2.4.2 Applicability of requirements for different subcarrier spacings

Unless otherwise stated, for each PRACH format with short sequence declared to be supported, for each FR, the tests shall apply only for the smallest supported subcarrier spacing in the FR (see D.102 in table 4.6-1).

8.1.2.4.3 Applicability of requirements for different channel bandwidths

Unless otherwise stated, for the subcarrier spacing to be tested, the test requirements shall apply only for anyone channel bandwidth declared to be supported (see D.7 in table 4.6-1).

8.1.2.5 Applicability of performance requirements for PUSCH with DM-RS bundling

8.1.2.5.1 Applicability of requirements for different subcarrier spacings

Unless otherwise stated, PUSCH with DM-RS bundling requirement tests shall apply only for each subcarrier spacings declared to be supported (see D.108 in table 4.6-1).

8.1.2.5.2 Applicability of requirements for different receiver antenna connectors

Unless otherwise stated, for a SAN supporting different numbers of TAB connectors (for SAN type 1-H) (see D.37 in table 4.6-1), the PUSCH with DM-RS bundling performance tests with low MIMO correlation level shall apply only for the highest numbers of supported connectors, and the specific connectors used for testing are based on manufacturer declaration.

8.2 Performance requirements for PUSCH

8.2.1 Performance requirements for PUSCH with transform precoding disabled

8.2.1.1 Definition and applicability

The performance requirement of PUSCH is determined by a minimum required throughput for a given SNR. The required throughput is expressed as a fraction of maximum throughput for the FRCs listed in annex A. The performance requirements assume HARQ re-transmissions.

Which specific test(s) are applicable to SAN is based on the test applicability rules defined in clause 8.1.2.

8.2.1.2 Minimum Requirement

The minimum requirement is in TS 38.108 [2] clause 8.2.1.

8.2.1.3 Test Purpose

The test shall verify the receiver's ability to achieve throughput under multipath fading propagation conditions for a given SNR.

8.2.1.4 Method of test

8.2.1.4.1 Initial Conditions

Test environment: Normal, see Annex B.2.

RF channels to be tested for single carrier:M; see clause 4.9.1.

8.2.1.4.2 Procedure

- 1) Connect the SAN tester generating the wanted signal, multipath fading simulators and AWGN generators to all SAN TAB connectors for diversity reception via a combining network as shown in annex D.6 for SAN *type 1-H*.
- 2) Adjust the AWGN generator, according to the channel bandwidth, defined in table 8.2.1.4.2-1.

Table 8.2.1.4.2-1: AWGN power level at the SAN input

Sub-carrier spacing (kHz)	Channel bandwidth (MHz)	AWGN power level
15 kHz	5	-86.5 dBm / 4.5MHz
30 kHz	10	-83.6 dBm / 8.64MHz
NOTE: The AWGN power level contains an AWGN offset of 16dB by default. If needed for test purposes, the AWGN level can be reduced from the default by any value in the range 0dB to 16dB. Changing the AWGN level does not impact the validity of the test, as it reduces the effective base band SNR level.		

- 3) The characteristics of the wanted signal shall be configured according to the corresponding UL reference measurement channel defined in annex A and the test parameters in table 8.2.1.4.2-2.

Table 8.2.1.4.2-2: Test parameters for testing PUSCH

Parameter		Value
Transform precoding		Disabled
HARQ	Maximum number of HARQ transmissions	4
	RV sequence	0, 2, 3, 1
DM-RS	DM-RS configuration type	1
	DM-RS duration	single-symbol DM-RS
	Additional DM-RS position	pos1
	Number of DM-RS CDM group(s) without data	2
	Ratio of PUSCH EPRE to DM-RS EPRE	-3 dB
	DM-RS port(s)	{0}
	DM-RS sequence generation	$N_{ID}^0=0, n_{SCID}=0$
Time domain resource assignment	PUSCH mapping type	A, B
	Start symbol	0
	Allocation length	14
Frequency domain resource assignment	RB assignment	Full applicable test bandwidth
	Frequency hopping	Disabled
Code block group based PUSCH transmission		Disabled

- 4) The multipath fading emulators shall be configured according to the corresponding channel model defined in annex G.
- 5) Adjust the equipment so that required SNR specified in table 8.2.1.5-1 to 8.2.1.5-4 is achieved at the SAN input.
- 6) For each of the reference channels in table 8.2.1.5-1 to 8.2.1.5-4 applicable for the base station, measure the throughput.

8.2.1.5 Test Requirement

The throughput measured according to clause 8.2.1.4.2 shall not be below the limits for the SNR levels specified in table 8.2.1.5-1 to 8.2.1.5-4.

Table 8.2.1.5-1: Test requirements for PUSCH with 70% of maximum throughput, Type A, 5 MHz channel bandwidth, 15 kHz SCS in FR1-NTN

Number of TX antennas	Number of RX antennas	Cyclic prefix	Propagation conditions and correlation matrix (annex G)	Fraction of maximum throughput	FRC (annex A)	Additional DM-RS position	SNR (dB)
1	1	Normal	NTN-TDLA100-200 Low	70%	G-FR1-NTN-A3-1	pos1	3.8
		Normal	NTN-TDLC5-200 Low	70%	G-FR1-NTN-A3-1	pos1	2.2
	2	Normal	NTN-TDLA100-200 Low	70%	G-FR1-NTN-A3-1	pos1	-0.1
		Normal	NTN-TDLC5-200 Low	70%	G-FR1-NTN-A3-1	pos1	-0.6

Table 8.2.1.5-2: Test requirements for PUSCH with 70% of maximum throughput, Type B, 5 MHz channel bandwidth, 15 kHz SCS in FR1-NTN

Number of TX antennas	Number of RX antennas	Cyclic prefix	Propagation conditions and correlation matrix (annex G)	Fraction of maximum throughput	FRC (annex A)	Additional DM-RS position	SNR (dB)
1	1	Normal	NTN-TDLA100-200 Low	70%	G-FR1-NTN-A3-1	pos1	3.9
		Normal	NTN-TDLC5-200 Low	70%	G-FR1-NTN-A3-1	pos1	2.2
	2	Normal	NTN-TDLA100-200 Low	70%	G-FR1-NTN-A3-1	pos1	0.0
		Normal	NTN-TDLC5-200 Low	70%	G-FR1-NTN-A3-1	pos1	-0.6

Table 8.2.1.5-3: Test requirements for PUSCH with 70% of maximum throughput, Type A, 10 MHz channel bandwidth, 30 kHz SCS in FR1-NTN

Number of TX antennas	Number of RX antennas	Cyclic prefix	Propagation conditions and correlation matrix (annex G)	Fraction of maximum throughput	FRC (annex A)	Additional DM-RS position	SNR (dB)
1	1	Normal	NTN-TDLA100-200 Low	70%	G-FR1-NTN-A3-2	pos1	3.5
		Normal	NTN-TDLC5-200 Low	70%	G-FR1-NTN-A3-2	pos1	2.0
	2	Normal	NTN-TDLA100-200 Low	70%	G-FR1-NTN-A3-2	pos1	-0.4
		Normal	NTN-TDLC5-200 Low	70%	G-FR1-NTN-A3-2	pos1	-0.8

Table 8.2.1.5-4: Test requirements for PUSCH with 70% of maximum throughput, Type B, 10 MHz channel bandwidth, 30 kHz SCS in FR1-NTN

Number of TX antennas	Number of RX antennas	Cyclic prefix	Propagation conditions and correlation matrix (annex G)	Fraction of maximum throughput	FRC (annex A)	Additional DM-RS position	SNR (dB)
1	1	Normal	NTN-TDLA100-200 Low	70%	G-FR1-NTN-A3-2	pos1	3.5
		Normal	NTN-TDLC5-200 Low	70%	G-FR1-NTN-A3-2	pos1	1.9
	2	Normal	NTN-TDLA100-200 Low	70%	G-FR1-NTN-A3-2	pos1	-0.4
		Normal	NTN-TDLC5-200 Low	70%	G-FR1-NTN-A3-2	pos1	-0.8

8.2.2 Performance requirements for PUSCH with transform precoding enabled

8.2.2.1 Definition and applicability

The performance requirement of PUSCH is determined by a minimum required throughput for a given SNR. The required throughput is expressed as a fraction of maximum throughput for the FRCs listed in annex A. The performance requirements assume HARQ re-transmissions.

Which specific test(s) are applicable to SAN is based on the test applicability rules defined in clause 8.1.2.

8.2.2.2 Minimum Requirement

The minimum requirement is in TS 38.108 [2] clause 8.2.2.

8.2.2.3 Test Purpose

The test shall verify the receiver's ability to achieve throughput under multipath fading propagation conditions for a given SNR.

8.2.2.4 Method of test

8.2.2.4.1 Initial Conditions

Test environment: Normal, see Annex B.2.

RF channels to be tested for single carrier: M; see clause 4.9.1.

8.2.2.4.2 Procedure

- 1) Connect the SAN tester generating the wanted signal, multipath fading simulators and AWGN generators to all SAN TAB connectors for diversity reception via a combining network as shown in annex D.6 for SAN *type 1-H*.
- 2) Adjust the AWGN generator, according to the SCS and channel bandwidth, defined in table 8.2.2.4.2-1.

Table 8.2.2.4.2-1: AWGN power level at the SAN input

Sub-carrier spacing (kHz)	Channel bandwidth (MHz)	AWGN power level
15	5	-86.5 dBm / 4.5MHz
30	10	-83.6 dBm / 8.64MHz
NOTE: The AWGN power level contains an AWGN offset of 16dB by default. If needed for test purposes, the AWGN level can be reduced from the default by any value in the range 0dB to 16dB. Changing the AWGN level does not impact the validity of the test, as it reduces the effective base band SNR level.		

- 3) The characteristics of the wanted signal shall be configured according to the corresponding UL reference measurement channel defined in annex A and the test parameters in table 8.2.2.4.2-2.

Table 8.2.2.4-2: Test parameters for testing PUSCH

Parameter		Value
Transform precoding		Enabled
HARQ	Maximum number of HARQ transmissions	4
	RV sequence	0, 2, 3, 1
DM-RS	DM-RS configuration type	1
	DM-RS duration	single-symbol DM-RS
	Additional DM-RS position	pos1
	Number of DM-RS CDM group(s) without data	2
	Ratio of PUSCH EPRE to DM-RS EPRE	-3 dB
	DM-RS port(s)	0
	DM-RS sequence generation	$N_{ID}^0=0$, group hopping and sequence hopping are disabled
Time domain resource assignment	PUSCH mapping type	A, B
	Start symbol	0
	Allocation length	14
Frequency domain resource assignment	RB assignment	15 kHz SCS: 25 PRBs in the middle of the test bandwidth 30 kHz SCS: 24 PRBs in the middle of the test bandwidth
	Frequency hopping	Disabled
Code block group based PUSCH transmission		Disabled

- 4) The multipath fading emulators shall be configured according to the corresponding channel model defined in annex G.
- 5) Adjust the equipment so that required SNR specified in table 8.2.2.5-1 to 8.2.2.5-4 is achieved at the SAN input.
- 6) For each of the reference channels in table 8.2.2.5-1 to 8.2.2.5-4 applicable for the base station, measure the throughput.

8.2.2.5 Test Requirement

The throughput measured according to clause 8.2.2.4.2 shall not be below the limits for the SNR levels specified in table 8.2.2.5-1 to 8.2.2.5-4.

Table 8.2.2.5-1: Test requirements for PUSCH with 70% of maximum throughput, Type A, 5 MHz channel bandwidth, 15 kHz SCS in FR1-NTN

Number of TX antennas	Number of RX antennas	Cyclic prefix	Propagation conditions and correlation matrix (annex G)	Fraction of maximum throughput	FRC (annex A)	Additional DM-RS position	SNR (dB)
1	1	Normal	NTN-TDLA100-200 Low	70%	G-FR1-NTN-A3-3	pos1	4.3
		Normal	NTN-TDLC5-200 Low	70%	G-FR1-NTN-A3-3	pos1	2.2
	2	Normal	NTN-TDLA100-200 Low	70%	G-FR1-NTN-A3-3	pos1	0.1
		Normal	NTN-TDLC5-200 Low	70%	G-FR1-NTN-A3-3	pos1	-0.6

Table 8.2.2.5-2: Test requirements for PUSCH with 70% of maximum throughput, Type B, 5 MHz channel bandwidth, 15 kHz SCS in FR1-NTN

Number of TX antennas	Number of RX antennas	Cyclic prefix	Propagation conditions and correlation matrix (annex G)	Fraction of maximum throughput	FRC (annex A)	Additional DM-RS position	SNR (dB)
1	1	Normal	NTN-TDLA100-200 Low	70%	G-FR1-NTN-A3-3	pos1	4.3
		Normal	NTN-TDLC5-200 Low	70%	G-FR1-NTN-A3-3	pos1	2.2
	2	Normal	NTN-TDLA100-200 Low	70%	G-FR1-NTN-A3-3	pos1	0.1
		Normal	NTN-TDLC5-200 Low	70%	G-FR1-NTN-A3-3	pos1	-0.6

Table 8.2.2.5-3: Test requirements for PUSCH with 70% of maximum throughput, Type A, 10 MHz channel bandwidth, 30 kHz SCS in FR1-NTN

Number of TX antennas	Number of RX antennas	Cyclic prefix	Propagation conditions and correlation matrix (annex G)	Fraction of maximum throughput	FRC (annex A)	Additional DM-RS position	SNR (dB)
1	1	Normal	NTN-TDLA100-200 Low	70%	G-FR1-NTN-A3-4	pos1	4.1
		Normal	NTN-TDLC5-200 Low	70%	G-FR1-NTN-A3-4	pos1	1.9
	2	Normal	NTN-TDLA100-200 Low	70%	G-FR1-NTN-A3-4	pos1	-0.1
		Normal	NTN-TDLC5-200 Low	70%	G-FR1-NTN-A3-4	pos1	-0.8

Table 8.2.2.5-4: Test requirements for PUSCH with 70% of maximum throughput, Type B, 10 MHz channel bandwidth, 30 kHz SCS in FR1-NTN

Number of TX antennas	Number of RX antennas	Cyclic prefix	Propagation conditions and correlation matrix (annex G)	Fraction of maximum throughput	FRC (annex A)	Additional DM-RS position	SNR (dB)
1	1	Normal	NTN-TDLA100-200 Low	70%	G-FR1-NTN-A3-4	pos1	4.1
		Normal	NTN-TDLC5-200 Low	70%	G-FR1-NTN-A3-4	pos1	1.9
	2	Normal	NTN-TDLA100-200 Low	70%	G-FR1-NTN-A3-4	pos1	-0.1
		Normal	NTN-TDLC5-200 Low	70%	G-FR1-NTN-A3-4	pos1	-0.8

8.2.3 Performance requirements for UL timing adjustment

8.2.3.1 Definition and applicability

The performance requirement of UL timing adjustment is determined by a minimum required throughput measured for the moving UE at given SNR. The performance requirements assume HARQ retransmissions.

In the tests for UL timing adjustment, two signals are configured, one being transmitted by a moving UE and the other being transmitted by a stationary UE. The transmission of SRS from UE is optional. FRC parameters in Table A.3-1 are applied for both UEs. The received power for both UEs is the same. The resource blocks allocated for both UEs are consecutive.

Which specific test(s) are applicable to SAN is based on the test applicability rules defined in clause 8.1.2.

8.2.3.2 Minimum Requirement

The minimum requirement is in TS 38.108 [2] clause 8.2.3.

8.2.3.3 Test Purpose

The test shall verify the receiver's ability to achieve throughput measured for the moving UE at given SNR under moving propagation conditions.

8.2.3.4 Method of test

8.2.3.4.1 Initial Conditions

Test environment: Normal, see Annex B.2.

RF channels to be tested: M; see clause 4.9.1.

8.2.3.4.2 Procedure

- 1) Connect the SAN tester generating the wanted signal, multipath fading simulators and AWGN generators to all SAN TAB connectors for diversity reception via a combining network as shown in annex D.6 for SAN *type 1-H*.
- 2) Adjust the AWGN generator, according to combination of SCS and channel bandwidth defined in table 8.2.3.4.2-1.

Table 8.2.3.4.2-1: AWGN power level at the SAN input

Sub-carrier spacing (kHz)	Channel bandwidth (MHz)	AWGN power level
15	5	-86.5 dBm / 4.5MHz
30	10	-83.6 dBm / 8.64MHz
NOTE: The AWGN power level contains an AWGN offset of 16dB by default. If needed for test purposes, the AWGN level can be reduced from the default by any value in the range 0dB to 16dB. Changing the AWGN level does not impact the validity of the test, as it reduces the effective base band SNR level.		

- 3) The characteristics of the wanted signals (transmitted by moving UE) shall be configured according to the corresponding UL reference measurement channel defined in annex A and the test parameters in Table 8.2.3.4.2-2.

Table 8.2.3.4.2-2 Test parameters for testing UL timing adjustment

Parameter		Value
Transform precoding		Disabled
HARQ	Maximum number of HARQ transmissions	4
	RV sequence	0, 2, 3, 1
DM-RS	DM-RS configuration type	1
	DM-RS duration	single-symbol DM-RS
	Additional DM-RS position	Pos1
	Number of DM-RS CDM group(s) without data	2
	Ratio of PUSCH EPRE to DM-RS EPRE	-3 dB
	DM-RS port(s)	{0}
	DM-RS sequence generation	$N_{ID}^0=0, n_{SCID}=0$ for moving UE $N_{ID}^0=1, n_{SCID}=1$ for stationary UE
Time domain resource assignment	PUSCH mapping type	A, B
	Allocation length	14
Frequency domain resource assignment	RB assignment	5 MHz CBW/15kHz SCS: 12 RB for each UE 10MHz CBW/30kHz SCS: 12 RB for each UE
	Starting PRB index	Moving UE: 0 Stationary UE: 12 for 5MHz CBW/15kHz SCS, 12 for 10MHz CBW/30kHz SCS
	Frequency hopping	Disabled
SRS resource allocation	Slots in which sounding RS is transmitted (Note2)	For FDD: slot #1 in radio frames
	SRS resource allocation	15 kHz SCS: $C_{SRS}=5, B_{SRS}=0$, for 20 RB 30 kHz SCS: $C_{SRS}=5, B_{SRS}=0$, for 20 RB
NOTE 2: The transmission of SRS is optional. And the transmission comb and SRS periodic are configured as $K_{TC}=2$, and $T_{SRS}=10$ for 15 kHz SCS, $T_{SRS}=20$ for 30 kHz SCS respectively.		

- 4) The multipath fading emulators shall be configured according to the corresponding channel model defined in annex G.3.
- 5) Adjust the equipment so that required SNR specified in Table 8.2.3.5-1 to Table 8.2.3.5-2 is achieved at the SAN input for normal mode.
- 6) For each of the reference channels in Table 8.2.3.5-1 to Table 8.2.3.5-2 applicable for the base station, measure the throughput for normal mode.

8.2.3.5 Test Requirement for Normal Mode

The throughput shall be $\geq 70\%$ of the maximum throughput of the reference measurement channel as specified in annex A for the moving UE at the SNR given in table 8.2.3.5-1 for mapping type A and table 8.2.3.5-2 for mapping type B respectively.

Table 8.2.3.5-1: Test requirements for UL timing adjustment with mapping type A

Number of TX antennas	Number of RX antennas	Cyclic prefix	Channel Bandwidth [MHz]	SCS [kHz]	Moving propagation conditions and correlation matrix (Annex G)	FRC (Annex A)	SNR [dB]
1	1	Normal	5	15	Scenario X	G-FR1-NTN-A3-5	4.7
			10	30	Scenario X	G-FR1-NTN-A3-6	4.2
	2	Normal	5	15	Scenario X	G-FR1-NTN-A3-5	0.3
			10	30	Scenario X	G-FR1-NTN-A3-6	0.1

Table 8.2.3.5-2: Test requirements for UL timing adjustment with mapping type B

Number of TX antennas	Number of RX antennas	Cyclic prefix	Channel Bandwidth [MHz]	SCS [kHz]	Moving propagation conditions and correlation matrix (Annex G)	FRC (Annex A)	SNR [dB]
1	1	Normal	5	15	Scenario X	G-FR1-NTN-A3-5	4.8
			10	30	Scenario X	G-FR1-NTN-A3-6	4.2
	2	Normal	5	15	Scenario X	G-FR1-NTN-A3-5	0.3
			10	30	Scenario X	G-FR1-NTN-A3-6	0.2

8.2.4 Performance requirements for PUSCH repetition Type A

8.2.4.1 Definition and applicability

The performance requirement of PUSCH with slot aggregation factor configured is determined by a minimum required throughput measured for a given SNR. The required throughput is expressed as a fraction of maximum throughput for the FRCs listed in annex A. The performance requirements assume HARQ re-transmissions.

Which specific test(s) are applicable to SAN is based on the test applicability rules defined in clause 8.1.2.

8.2.4.2 Minimum Requirement

The minimum requirement is in TS 38.108 [2] clause 8.2.4.

8.2.4.3 Test Purpose

The test shall verify the receiver's ability to achieve throughput measured with PUSCH repetition Type A under multipath fading propagation conditions for a given SNR.

8.2.4.4 Method of test

8.2.4.4.1 Initial Conditions

Test environment: Normal, see Annex B.2.

RF channels to be tested for single carrier: M; see clause 4.9.1.

8.2.4.4.2 Procedure

- 1) Connect the SAN tester generating the wanted signal, multipath fading simulators and AWGN generators to all SAN TAB connectors for diversity reception via a combining network as shown in annex D.6 for *SAN type I-H*.
- 2) Adjust the AWGN generator, according to the channel bandwidth, defined in table 8.2.4.4.2-1.

Table 8.2.4.4.2-1: AWGN power level at the SAN input

Sub-carrier spacing (kHz)	Channel bandwidth (MHz)	AWGN power level
15 kHz	5	-86.5 dBm / 4.5MHz
30 kHz	10	-83.6 dBm / 8.64MHz
NOTE: The AWGN power level contains an AWGN offset of 16dB by default. If needed for test purposes, the AWGN level can be reduced from the default by any value in the range 0dB to 16dB. Changing the AWGN level does not impact the validity of the test, as it reduces the effective base band SNR level.		

- 3) The characteristics of the wanted signal shall be configured according to the corresponding UL reference measurement channel defined in annex A and the test parameters in table 8.2.4.4.2-2.

Table 8.2.4.4.2-2: Test parameters for testing PUSCH repetition Type A

Parameter		Value
Transform precoding		Disabled
HARQ	Maximum number of HARQ transmissions	4
	RV sequence	0, 3, 0, 3 [Note 1]
DM-RS	DM-RS configuration type	1
	DM-RS duration	single-symbol DM-RS
	Additional DM-RS position	pos1
	Number of DM-RS CDM group(s) without data	2
	Ratio of PUSCH EPRE to DM-RS EPRE	-3 dB
	DM-RS port	0
DM-RS sequence generation		$N_{ID}^0=0, n_{SCID}=0$
Time domain resource assignment	PUSCH mapping type	A, B
	Start symbol	0
	Allocation length	14
	PUSCH aggregation factor	n2
Frequency domain resource assignment	RB assignment	Full applicable test bandwidth
	Frequency hopping	Disabled
Code block group based PUSCH transmission		Disabled
Note 1: The effective RV sequence is {0, 2, 3, 1} with slot aggregation.		

- 4) The multipath fading emulators shall be configured according to the corresponding channel model defined in annex G.2.
- 5) Adjust the equipment so that required SNR specified in table 8.2.4.5-1 to 8.2.4.5-4 is achieved at the SAN input.
- 6) For each of the reference channels in table 8.2.4.5-1 to 8.2.4.5-4 applicable for the base station, measure the throughput.

8.2.4.5 Test Requirement

The throughput measured according to clause 8.2.1.4.2 shall not be below the limits for the SNR levels specified in table 8.2.4.5-1 to 8.2.4.5-4.

Table 8.2.4.5-1: Minimum requirements for PUSCH, Type A, 5 MHz channel bandwidth, 15 kHz SCS in FR1-NTN

Number of TX antennas	Number of RX antennas	Cyclic prefix	Propagation conditions and correlation matrix (Annex G)	Fraction of maximum throughput	FRC (Annex A)	Additional DM-RS position	SNR (dB)
1	1	Normal	NTN-TDLA100-200 Low	70%	G-FR1-NTN-A3A-1	pos1	-4.5
	2	Normal	NTN-TDLA100-200 Low	70%	G-FR1-NTN-A3A-1	pos1	-7.9

Table 8.2.4.5-2: Minimum requirements for PUSCH, Type B, 5 MHz channel bandwidth, 15 kHz SCS in FR1-NTN

Number of TX antennas	Number of RX antennas	Cyclic prefix	Propagation conditions and correlation matrix (Annex G)	Fraction of maximum throughput	FRC (Annex A)	Additional DM-RS position	SNR (dB)
1	1	Normal	NTN-TDLA100-200 Low	70%	G-FR1-NTN-A3A-1	pos1	-4.5
	2	Normal	NTN-TDLA100-200 Low	70%	G-FR1-NTN-A3A-1	pos1	-7.9

Table 8.2.4.5-3: Minimum requirements for PUSCH, Type A, 10 MHz channel bandwidth, 30 kHz SCS in FR1-NTN

Number of TX antennas	Number of RX antennas	Cyclic prefix	Propagation conditions and correlation matrix (Annex G)	Fraction of maximum throughput	FRC (Annex A)	Additional DM-RS position	SNR (dB)
1	1	Normal	NTN-TDLA100-200 Low	70%	G-FR1-A3A-2	pos1	-4.5
	2	Normal	NTN-TDLA100-200 Low	70%	G-FR1-A3A-2	pos1	-7.9

Table 8.2.4.5-4: Minimum requirements for PUSCH, Type B, 10 MHz channel bandwidth, 30 kHz SCS in FR1-NTN

Number of TX antennas	Number of RX antennas	Cyclic prefix	Propagation conditions and correlation matrix (Annex G)	Fraction of maximum throughput	FRC (Annex A)	Additional DM-RS position	SNR (dB)
1	1	Normal	NTN-TDLA100-200 Low	70%	G-FR1-NTN-A3A-2	pos1	-4.5
	2	Normal	NTN-TDLA100-200 Low	70%	G-FR1-NTN-A3A-2	pos1	-7.9

8.2.5 Performance requirements for PUSCH with DMRS bundling

8.2.5.1 Definition and applicability

The performance requirement of PUSCH with DMRS bundling is determined by a minimum required throughput for a given SNR. The required throughput is expressed as a fraction of maximum throughput for the FRCs listed in annex A. The performance requirements assume HARQ re-transmissions.

Which specific test(s) are applicable to SAN is based on the test applicability rules defined in clause [8.1.2.9].

8.2.5.2 Minimum Requirement

The minimum requirement is in TS 38.108 [2] clause [8.2.5].

8.2.5.3 Test Purpose

The test shall verify the receiver's ability to achieve throughput under multipath fading propagation conditions for a given SNR with DMRS bundling.

8.2.5.4 Method of test

8.2.5.4.1 Initial Conditions

Test environment: Normal, see annex [B.2].

RF channels to be tested for single carrier: M ; see clause [4.9.1].

RF channels to be tested for carrier aggregation: $M_{\text{BW Channel CA}}$; see clause [4.9.1].

8.2.5.4.2 Procedure

- 1) Connect the SAN tester generating the wanted signal, multipath fading simulators and AWGN generators to all SAN TAB connectors for diversity reception via a combining network as shown in annex D.6 for *SAN type I-H*.
- 2) Adjust the AWGN generator, according to the channel bandwidth, defined in table 8.2.5.4.2-1.

Table 8.2.5.4.2-1: AWGN power level at the SAN input

Sub-carrier spacing (kHz)	Channel bandwidth (MHz)	AWGN power level
15kHz	5	-86.5 dBm / 4.5MHz
30kHz	10	-83.6 dBm / 8.64MHz
NOTE: The AWGN power level contains an AWGN offset of 16dB by default. If needed for test purposes, the AWGN level can be reduced from the default by any value in the range 0dB to 16dB. Changing the AWGN level does not impact the validity of the test, as it reduces the effective base band SNR level.		

- 3) The characteristics of the wanted signal shall be configured according to the corresponding UL reference measurement channel defined in annex A and the test parameters in table 8.2.5.4.2-2.

Table 8.2.5.4.2-2: Test parameters for testing PUSCH with DMRS bundling

Parameter		Value
Transform precoding		Disabled
HARQ	Maximum number of HARQ transmissions	4
	RV sequence (Note 1)	0,0,0,0
DM-RS	DM-RS configuration type	1
	DM-RS duration	single-symbol DM-RS
	Additional DM-RS position	pos1
	Number of DM-RS CDM group(s) without data	2
	Ratio of PUSCH EPRE to DM-RS EPRE	-3 dB
	DM-RS port(s)	{0}
	DM-RS sequence generation	$N_{ID}^0=0, n_{SCID}=0$
Time domain resource assignment	PUSCH mapping type	A, B
	Start symbol	0
	Allocation length	14
	PUSCH aggregation factor	n4 for 15kHz SCS n8 for 30kHz SCS
pusch-TimeDomainWindowLength		4 for 15kHz SCS 8 for 30kHz SCS
Frequency domain resource assignment	RB assignment	6 RBs in the middle of the channel bandwidth
	Frequency hopping	Disabled
Code block group based PUSCH transmission		Disabled
NOTE 1: The effective RV sequence is {0, 2, 3, 1} with slot aggregation.		

- 4) The multipath fading emulators shall be configured according to the corresponding channel model defined in annex G.2.
- 5) Adjust the equipment so that required SNR specified in table 8.2.5.5-1 to table 8.2.5.5-4 is achieved at the SAN input.
- 6) For each of the reference channels in table 8.2.5.5-1 to table 8.2.5.5-4 applicable for the base station, measure the throughput.

8.2.5.5 Test Requirement

The throughput measured according to clause 8.2.5.4.2 shall not be below the limits for the SNR levels specified in table 8.2.5.5-1 to table 8.2.5.5-4.

Table 8.2.5.5-1: Test requirements for PUSCH with 70% of maximum throughput, Type A, 5 MHz channel bandwidth, FR1-NTN, 15 kHz SCS

Number of TX antennas	Number of RX antennas	Cyclic prefix	Propagation conditions and correlation matrix (annex G)	Fraction of maximum throughput	FRC (annex G)	Additional DM-RS position	SNR (dB)
1	1	Normal	NTN-TDLA100-200 Low	70 %	G-FR1-NTN-A3-7	pos1	[-0.1]
	2	Normal	NTN-TDLA100-200 Low	70 %	G-FR1-NTN-A3-7	pos1	[-3.6]

Table 8.2.5.5-2: Test requirements for PUSCH with 70% of maximum throughput, Type A, 10 MHz channel bandwidth, FR1-NTN, 30 kHz SCS

Number of TX antennas	Number of RX antennas	Cyclic prefix	Propagation conditions and correlation matrix (annex G)	Fraction of maximum throughput	FRC (annex G)	Additional DM-RS position	SNR (dB)
1	1	Normal	NTN-TDLA100-200 Low	70 %	G-FR1-NTN-A3-8	pos1	[-2.9]
	2	Normal	NTN-TDLA100-200 Low	70 %	G-FR1-NTN-A3-8	pos1	[-6.1]

Table 8.2.5.5-3: Test requirements for PUSCH with 70% of maximum throughput, Type B, 5 MHz channel bandwidth, FR1-NTN, 15 kHz SCS

Number of TX antennas	Number of RX antennas	Cyclic prefix	Propagation conditions and correlation matrix (annex G)	Fraction of maximum throughput	FRC (annex G)	Additional DM-RS position	SNR (dB)
1	1	Normal	NTN-TDLA100-200 Low	70 %	G-FR1-NTN-A3-7	pos1	[-0.0]
	2	Normal	NTN-TDLA100-200 Low	70 %	G-FR1-NTN-A3-7	pos1	[-3.5]

Table 8.2.5.5-4: Test requirements for PUSCH with 70% of maximum throughput, Type B, 10 MHz channel bandwidth, FR1-NTN, 30 kHz SCS

Number of TX antennas	Number of RX antennas	Cyclic prefix	Propagation conditions and correlation matrix (annex G)	Fraction of maximum throughput	FRC (annex G)	Additional DM-RS position	SNR (dB)
1	1	Normal	NTN-TDLA100-200 Low	70 %	G-FR1-NTN-A3-8	pos1	[-2.8]
	2	Normal	NTN-TDLA100-200 Low	70 %	G-FR1-NTN-A3-8	pos1	[-6.1]

8.3 Performance requirements for PUCCH

8.3.1 Performance requirements for PUCCH format 0

8.3.1.1 Definition and applicability

The performance requirement of single user PUCCH format 0 for ACK missed detection is determined by the two parameters: probability of false detection of the ACK and the probability of detection of ACK. The performance is measured by the required SNR at probability of detection equal to 0.99. The probability of false detection of the ACK shall be 0.01 or less.

The probability of false detection of the ACK is defined as a conditional probability of erroneous detection of the ACK when input is only noise.

The probability of detection of ACK is defined as conditional probability of detection of the ACK when the signal is present.

The transient period as specified in TS 38.101-5 [12] clause 6.3.3 is not taken into account for performance requirement testing, where the RB hopping is symmetric to the CC center, i.e. intra-slot frequency hopping is enabled.

Which specific test(s) are applicable to SAN is based on the test applicability rules defined in clause 8.1.2.

8.3.1.2 Minimum Requirement

The minimum requirements are in TS 38.108 [2] clause 8.3.1 and 8.3.2.

8.3.1.3 Test purpose

The test shall verify the receiver's ability to detect ACK under multipath fading propagation conditions for a given SNR.

8.3.1.4 Method of test

8.3.1.4.1 Initial conditions

Test environment: Normal, see annex B.2.

RF channels to be tested for single carrier: M, see clause 4.9.1.

8.3.1.4.2 Procedure

- 1) Connect the SAN tester generating the wanted signal, multipath fading simulators and AWGN generators to all SAN TAB connectors for diversity reception via a combining network as shown in annex D.6 for *SAN type 1-H*.
- 2) Adjust the AWGN generator, according to the subcarrier spacing and channel bandwidth defined in table 8.3.1.4.2-1.

Table 8.3.1.4.2-1: AWGN power level at the SAN input

Subcarrier spacing (kHz)	Channel bandwidth (MHz)	AWGN power level
15	5	-83.5 dBm / 4.5 MHz
30	10	-80.6 dBm / 8.64 MHz
NOTE: The AWGN power level contains an AWGN offset of 16dB by default. If needed for test purposes, the AWGN level can be reduced from the default by any value in the range 0dB to 16dB. Changing the AWGN level does not impact the validity of the test, as it reduces the effective base band SNR level.		

- 3) The characteristics of the wanted signal shall be configured according to TS 38.211 [8] and the specific test parameters are configured as mentioned in table 8.3.1.4.2-2:

Table 8.3.1.4.2-2: Test Parameters for PUCCH format 0

Parameter	Test
Number of UCI information bits	1
Number of PRBs	1
First PRB prior to frequency hopping	0
Intra-slot frequency hopping	Enabled
First PRB after frequency hopping	The largest PRB index – (Number of PRBs – 1)
Group and sequence hopping	neither
Hopping ID	0
Initial cyclic shift	0
First symbol	12
Number of OFDM symbols	2

- 4) The multipath fading emulators shall be configured according to the corresponding channel model defined in annex G.
- 5) Adjust the equipment so that the SNR specified in table 8.3.1.5-1 and table 8.3.1.5-2 is achieved at the SAN input during the ACK transmissions.

- 6) The signal generator sends a test pattern with the pattern outlined in figure 8.3.1.4.2-1. The following statistics are kept: the number of ACKs detected in the idle periods and the number of missed ACKs.



Figure 8.3.1.4.2-1: Test signal pattern for single user PUCCH format 0 demodulation tests

8.3.1.5 Test Requirement

The fraction of falsely detected ACKs shall be less than 1% and the fraction of correctly detected ACKs shall be larger than 99% for the SNR listed in table 8.3.1.5-1 and in table 8.3.1.5-2.

Table 8.3.1.5-1: Test requirements for PUCCH format 0, 5 MHz channel bandwidth, 15 kHz SCS

Number of TX antennas	Number of RX antennas	Propagation conditions and correlation matrix (annex G)	SNR (dB)
1	1	NTN-TDLA100-200 Low	9.5
	2	NTN-TDLA100-200 Low	3.9

Table 8.3.1.5-2: Test requirements for PUCCH format 0, 10 MHz channel bandwidth, 30 kHz SCS

Number of TX antennas	Number of RX antennas	Propagation conditions and correlation matrix (annex G)	SNR (dB)
1	1	NTN-TDLA100-200 Low	11.7
	2	NTN-TDLA100-200 Low	5.4

8.3.2 Performance requirements for PUCCH format 1

8.3.2.1 NACK to ACK detection

8.3.2.1.1 Definition and applicability

The performance requirement of PUCCH format 1 for NACK to ACK detection is determined by the two parameters: probability of false detection of the ACK and the NACK to ACK detection probability. The performance is measured by the required SNR at probability of the NACK to ACK detection equal to 0.1% or less. The probability of false detection of the ACK shall be 0.01 or less.

The probability of false detection of the ACK is defined as a conditional probability of erroneous detection of the ACK at particular bit position when input is only noise. Each false bit detection is counted as one error.

The NACK to ACK detection probability is the probability of detecting an ACK bit when an NACK bit was sent on particular bit position. Each NACK bit erroneously detected as ACK bit is counted as one error. Erroneously detected NACK bits in the definition do not contain the NACK bits which are mapped from DTX, i.e. NACK bits received when DTX is sent should not be considered.

The transient period as specified in TS 38.101-5 [12] clause 6.3.3 is not taken into account for performance requirement testing, where the RB hopping is symmetric to the CC center, i.e. intra-slot frequency hopping is enabled.

Which specific test(s) are applicable to SAN is based on the test applicability rules defined in clause 8.1.2.

8.3.2.1.2 Minimum Requirement

The minimum requirement is in TS 38.108 [2] clause 8.3.3.

8.3.2.1.3 Test purpose

The test shall verify the receiver's ability not to falsely detect NACK bits as ACK bits under multipath fading propagation conditions for a given SNR.

8.3.2.1.4 Method of test

8.3.2.1.4.1 Initial Conditions

Test environment: Normal; see annex B.2.

RF channels to be tested for single carrier: M, see clause 4.9.1.

8.3.2.1.4.2 Procedure

- 1) Connect the SAN tester generating the wanted signal, multipath fading simulators and AWGN generators to all SAN TAB connectors for diversity reception via a combining network as shown in annex D.6 for *SAN type 1-H*.
- 2) Adjust the AWGN generator, according to the subcarrier spacing and channel bandwidth defined in table 8.3.2.1.4.2-1.

Table 8.3.2.1.4.2-1: AWGN power level at the SAN input

Sub-carrier spacing (kHz)	Channel bandwidth (MHz)	AWGN power level
15 kHz	5	-83.5 dBm / 4.5 MHz
30 kHz	10	-80.6 dBm / 8.64 MHz
NOTE: The AWGN power level contains an AWGN offset of 16dB by default. If needed for test purposes, the AWGN level can be reduced from the default by any value in the range 0dB to 16dB. Changing the AWGN level does not impact the validity of the test, as it reduces the effective base band SNR level.		

- 3) The characteristics of the wanted signal shall be configured according to TS 38.211 [8], and the specific test parameters are configured as mentioned in table 8.3.2.1.4.2-2:

Table 8.3.2.1.4.2-2: Test parameters for PUCCH format 1

Parameter	Test
Number of information bits	2
Number of PRBs	1
Number of symbols	14
First PRB prior to frequency hopping	0
Intra-slot frequency hopping	enabled
First PRB after frequency hopping	The largest PRB index – (nrofPRBs – 1)
Group and sequence hopping	neither
Hopping ID	0
Initial cyclic shift	0
First symbol	0
Index of orthogonal cover code (<i>timeDomainOCC</i>)	0

- 4) The multipath fading emulators shall be configured according to the corresponding channel model defined in annex G.
- 5) Adjusting the equipment so that the SNR specified in table 8.3.2.1.5-1 and table 8.3.2.1.5-2 is achieved at the SAN input during the transmissions.
- 6) The signal generator sends random codeword from applicable codebook, in regular time periods. The following statistics are kept: the number of ACK bits detected in the idle periods and the number of NACK bits detected as ACK.

8.3.2.1.5 Test Requirement

The fraction of falsely detected ACK bits shall be less than 1% and the fraction of NACK bits falsely detected as ACK shall be less than 0.1% for the SNR listed in tables 8.3.2.1.5-1 and table 8.3.2.1.5-2.

Table 8.3.2.1.5-1: Test requirements for PUCCH format 1, 5 MHz channel bandwidth, 15 kHz SCS

Number of TX antennas	Number of RX antennas	Cyclic Prefix	Propagation conditions and correlation matrix (annex G)	SNR (dB)
1	1	Normal	NTN-TDLA100-200 Low	2.8
	2	Normal	NTN-TDLA100-200 Low	-3.5

Table 8.3.2.1.5-2: Test requirements for PUCCH format 1, 10 MHz channel bandwidth, 30 kHz SCS

Number of TX antennas	Number of RX antennas	Cyclic Prefix	Propagation conditions and correlation matrix (annex G)	SNR (dB)
1	1	Normal	NTN-TDLA100-200 Low	3.6
	2	Normal	NTN-TDLA100-200 Low	-2.9

8.3.2.2 ACK missed detection

8.3.2.2.1 Definition and applicability

The performance requirement of PUCCH format 1 for ACK missed detection is determined by the two parameters: probability of false detection of the ACK and the probability of detection of ACK. The performance is measured by the required SNR at probability of detection equal to 0.99. The probability of false detection of the ACK shall be 0.01 or less.

The probability of false detection of the ACK is defined as a conditional probability of erroneous detection of the ACK when input is only noise.

The probability of detection of ACK is defined as conditional probability of detection of the ACK when the signal is present.

The transient period as specified in TS 38.101-5 [12] clause 6.3.3 is not taken into account for performance requirement testing, where the RB hopping is symmetric to the CC center, i.e. intra-slot frequency hopping is enabled.

Which specific test(s) are applicable to SAN is based on the test applicability rules defined in clause 8.1.2.

8.3.2.2.2 Minimum Requirement

The minimum requirement is in TS 38.108 [2] clause 8.3.3.

8.3.2.2.3 Test purpose

The test shall verify the receiver's ability to detect ACK bits under multipath fading propagation conditions for a given SNR.

8.3.2.2.4 Method of test

8.3.2.2.4.1 Initial Conditions

Test environment: Normal; see annex B.2.

RF channels to be tested for single carrier: M, see clause 4.9.1.

8.3.2.2.4.2 Procedure

- 1) Connect the SAN tester generating the wanted signal, multipath fading simulators and AWGN generators to all SAN TAB connectors for diversity reception via a combining network as shown in annex D.6 for *SAN type I-H*.
- 2) Adjust the AWGN generator, according to the subcarrier spacing and channel bandwidth defined in table 8.3.2.2.4.2-1.

Table 8.3.2.2.4.2-1: AWGN power level at the SAN input

Sub-carrier spacing (kHz)	Channel bandwidth (MHz)	AWGN power level
15 kHz	5	-83.5 dBm / 4.5 MHz
30 kHz	10	-80.6 dBm / 8.64 MHz
NOTE: The AWGN power level contains an AWGN offset of 16dB by default. If needed for test purposes, the AWGN level can be reduced from the default by any value in the range 0dB to 16dB. Changing the AWGN level does not impact the validity of the test, as it reduces the effective base band SNR level.		

- 3) The characteristics of the wanted signal shall be configured according to TS 38.211 [8], and the specific test parameters are configured as mentioned in table 8.3.2.2.4.2-2:

Table 8.3.2.2.4.2-2: Test parameters for PUCCH format 1

Parameter	Test
Number of information bits	2
Number of PRBs	1
Number of symbols	14
First PRB prior to frequency hopping	0
Intra-slot frequency hopping	enabled
First PRB after frequency hopping	The largest PRB index – (nrofPRBs – 1)
Group and sequence hopping	neither
Hopping ID	0
Initial cyclic shift	0
First symbol	0
Index of orthogonal cover code (<i>timeDomainOCC</i>)	0

- 4) The multipath fading emulators shall be configured according to the corresponding channel model defined in annex G.
- 5) Adjusting the equipment so that the SNR specified in table 8.3.2.2.5-1 and table 8.3.2.2.5-2 is achieved at the SAN input during the transmissions.
- 6) The signal generator sends random codewords from applicable codebook, in regular time periods. The following statistics are kept: the number of ACK bits falsely detected in the idle periods and the number of missed ACK bits. Each falsely detected ACK bit in the idle periods is accounted as one error for the statistics of false ACK detection, and each missed ACK bit is accounted as one error for the statistics of missed ACK detection.

Note that the procedure described in this clause for ACK missed detection has the same condition as that described in clause 8.3.2.1.4.2 for NACK to ACK detection. Both statistics are measured in the same testing.

8.3.2.2.5 Test Requirement

The fraction of falsely detected ACK bits shall be less than 1% and the fraction of correctly detected ACK bits shall be larger than 99% for the SNR listed in tables 8.3.2.2.5-1 and table 8.3.2.2.5-2.

Table 8.3.2.2.5-1: Test requirements for PUCCH format 1, 5 MHz channel bandwidth, 15 kHz SCS

Number of TX antennas	Number of RX antennas	Cyclic Prefix	Propagation conditions and correlation matrix (annex G)	SNR (dB)
1	1	Normal	NTN-TDLA100-200 Low	2.1
	2	Normal	NTN-TDLA100-200 Low	-4.0

Table 8.3.2.2.5-2: Test requirements for PUCCH format 1, 10 MHz channel bandwidth, 30 kHz SCS

Number of TX antennas	Number of RX antennas	Cyclic Prefix	Propagation conditions and correlation matrix (annex G)	SNR (dB)
1	1	Normal	NTN-TDLA100-200 Low	3.7
	2	Normal	NTN-TDLA100-200 Low	-2.8

8.3.3 Performance requirements for PUCCH format 2

8.3.3.1 ACK missed detection

8.3.3.1.1 Definition and applicability

The performance requirement of PUCCH format 2 for ACK missed detection is determined by the two parameters: probability of false detection of the ACK and the probability of detection of ACK. The performance is measured by the required SNR at probability of detection equal to 0.99. The probability of false detection of the ACK shall be 0.01 or less.

The probability of false detection of the ACK is defined as a probability of erroneous detection of the ACK when input is only noise.

The probability of detection of ACK is defined as probability of detection of the ACK when the signal is present.

Which specific test(s) are applicable to SAN is based on the test applicability rules defined in clause 8.1.2.

8.3.3.1.2 Minimum requirements

The minimum requirements are in TS 38.108 [2] clause 8.3.4.

8.3.3.1.3 Test purpose

The test shall verify the receiver's ability to detect ACK bits under multipath fading propagation conditions for a given SNR.

8.3.3.1.4 Method of test

8.3.3.1.4.1 Initial Condition

Test environment: Normal, see annex B.2.

RF channels to be tested for single carrier: M, see clause 4.9.1.

8.3.3.1.4.2 Procedure

- 1) Connect the SAN tester generating the wanted signal, multipath fading simulators and AWGN generators to all SAN TAB connectors for diversity reception via a combining network as shown in annex D.6 for *SAN type I-H*.
- 2) Adjust the AWGN generator, according to the subcarrier spacing and channel bandwidth defined in table 8.3.3.1.4.2-1.

Table 8.3.3.1.4.2-1: AWGN power level at the SAN input

Sub-carrier spacing (kHz)	Channel bandwidth (MHz)	AWGN power level
15	5	-83.5 dBm / 4.5 MHz
30	10	-80.6 dBm / 8.64 MHz
NOTE: The AWGN power level contains an AWGN offset of 16dB by default. If needed for test purposes, the AWGN level can be reduced from the default by any value in the range 0dB to 16dB. Changing the AWGN level does not impact the validity of the test, as it reduces the effective base band SNR level.		

- 3) The characteristics of the wanted signal shall be configured according to TS 38.211 [8], and the specific test parameters are configured as mentioned in table 8.3.3.1.4.2-2:

Table 8.3.3.1.4.2-2: Test parameters for PUCCH format 2

Parameter	Value
Modulation order	QSPK
First PRB prior to frequency hopping	0
Intra-slot frequency hopping	N/A
Number of PRBs	4
Number of symbols	1
The number of UCI information bits	4
First symbol	13
DM-RS sequence generation	$N_{ID}^0=0$

- 4) The multipath fading emulators shall be configured according to the corresponding channel model defined in annex G.
- 5) Adjust the equipment so that the SNR specified in table 8.3.3.1.5-1 and table 8.3.3.1.5-2 is achieved at the SAN input during the UCI transmissions.
- 6) The signal generator sends a test pattern with the pattern outlined in figure 8.3.3.1.4.2-1. The following statistics are kept: the number of ACKs detected in the idle periods and the number of missed ACKs.



Figure 8.3.3.1.4.2-1: Test signal pattern for PUCCH format 2 demodulation tests

8.3.3.1.5 Test requirements

The fraction of falsely detected ACKs shall be less than 1% and the fraction of correctly detected ACKs shall be larger than 99% for the SNR listed in table 8.3.3.1.5-1 and table 8.3.3.1.5-2.

Table 8.3.3.1.5-1: Test requirements for PUCCH format 2, 5 MHz channel bandwidth, 15 kHz SCS

Number of TX antennas	Number of RX antennas	Cyclic Prefix	Propagation conditions and correlation matrix (annex G)	SNR (dB)
1	1	Normal	NTN-TDLA100-200 Low	15.2
	2	Normal	NTN-TDLA100-200 Low	5.3

Table 8.3.3.1.5-2: Test requirements for PUCCH format 2, 10 MHz channel bandwidth, 30 kHz SCS

Number of TX antennas	Number of RX antennas	Cyclic Prefix	Propagation conditions and correlation matrix (annex G)	SNR (dB)
1	1	Normal	NTN-TDLA100-200 Low	12.6
	2	Normal	NTN-TDLA100-200 Low	5.0

8.3.3.2 UCI BLER performance requirements

8.3.3.2.1 Definition and applicability

The performance is measured by the required SNR at UCI block error probability not exceeding 1%.

The UCI block error probability is defined as the probability of incorrectly decoding the UCI information when the UCI information is sent. The UCI information does not contain CSI part 2.

The transient period as specified in TS 38.101-5 [12] clause 6.3.3.1 is not taken into account for performance requirement testing, where the RB hopping is symmetric to the CC center, i.e. intra-slot frequency hopping is enabled.

Which specific test(s) are applicable to SAN is based on the test applicability rules defined in clause 8.1.2.

8.3.3.2.2 Minimum Requirement

The minimum requirement is TS 38.108 [2] clause 8.3.4.

8.3.3.2.3 Test purpose

The test shall verify the receiver's ability to detect UCI under multipath fading propagation conditions for a given SNR.

8.3.3.2.4 Method of test

8.3.3.2.4.1 Initial Condition

Test environment: Normal, see annex B.2.

RF channels to be tested for single carrier: M, see clause 4.9.1.

8.3.3.2.4.2 Procedure

- 1) Connect the SAN tester generating the wanted signal, multipath fading simulators and AWGN generators to all SAN TAB connectors for diversity reception via a combining network as shown in annex D.6 for *SAN type I-H*.
- 2) Adjust the AWGN generator, according to the subcarrier spacing and channel bandwidth defined in table 8.3.3.2.4.2-1.

Table 8.3.3.2.4.2-1: AWGN power level at the SAN input

Sub-carrier spacing (kHz)	Channel bandwidth (MHz)	AWGN power level
15	5	-83.5 dBm / 4.5 MHz
30	10	-80.6 dBm / 8.64 MHz
NOTE: The AWGN power level contains an AWGN offset of 16dB by default. If needed for test purposes, the AWGN level can be reduced from the default by any value in the range 0dB to 16dB. Changing the AWGN level does not impact the validity of the test, as it reduces the effective base band SNR level.		

- 3) The characteristics of the wanted signal shall be configured according to TS 38.211 [8], and the specific test parameters are configured as mentioned in table 8.3.3.2.4.2-2:

Table 8.3.3.2.4.2-2: Test parameters for PUCCH format 2

Parameter	Value
Modulation order	QSPK
First PRB prior to frequency hopping	0
Intra-slot frequency hopping	enabled
First PRB after frequency hopping	The largest PRB index – (Number of PRBs – 1)
Number of PRBs	9
Number of symbols	2
The number of UCI information bits	22
First symbol	12
DM-RS sequence generation	$N_{ID}^0=0$

- 4) The multipath fading emulators shall be configured according to the corresponding channel model defined in annex G.
- 5) Adjust the equipment so that the SNR specified in table 8.3.3.2.5-1 and table 8.3.3.2.5-2 is achieved at the SAN input during the UCI transmissions.
- 6) The signal generator sends a test pattern with the pattern outlined in figure 8.3.3.2.4.2-1. The following statistics are kept: the number of incorrectly decoded UCI.

**Figure 8.3.3.2.4.2-1: Test signal pattern for PUCCH format 2 demodulation tests**

8.3.3.2.5 Test requirements

The fraction of incorrectly decoded UCI shall be less than 1% for the SNR listed in table 8.3.3.2.5-1 and table 8.3.3.2.5-2.

Table 8.3.3.2.5-1: Test requirements for PUCCH format 2, 5 MHz channel bandwidth, 15 kHz SCS

Number of TX antennas	Number of RX antennas	Cyclic Prefix	Propagation conditions and correlation matrix (annex G)	SNR (dB)
1	1	Normal	NTN-TDLA100-200 Low	6.9
	2	Normal	NTN-TDLA100-200 Low	1.4

Table 8.3.3.2.5-2: Test requirements for PUCCH format 2, 10 MHz channel bandwidth, 30 kHz SCS

Number of TX antennas	Number of RX antennas	Cyclic Prefix	Propagation conditions and correlation matrix (annex G)	SNR (dB)
1	1	Normal	NTN-TDLA100-200 Low	7.0
	2	Normal	NTN-TDLA100-200 Low	1.1

8.3.4 Performance requirements for PUCCH format 3

8.3.4.1 Definition and applicability

The performance is measured by the required SNR at UCI block error probability not exceeding 1%.

The UCI block error probability is defined as the conditional probability of incorrectly decoding the UCI information when the UCI information is sent. The UCI information does not contain CSI part 2.

The transient period as specified in TS 38.101-5 [12] clause 6.3.3 is not taken into account for performance requirement testing, where the RB hopping is symmetric to the CC center, i.e. intra-slot frequency hopping is enabled.

Which specific test(s) are applicable to SAN is based on the test applicability rules defined in clause 8.1.2.

8.3.4.2 Minimum requirement

The minimum requirement is in TS 38.108 [2] clause 8.3.5.

8.3.4.3 Test purpose

The test shall verify the receiver's ability to detect UCI under multipath fading propagation conditions for a given SNR.

8.3.4.4 Method of test

8.3.4.4.1 Initial conditions

Test environment: Normal; see annex B.2.

RF channels to be tested for single carrier: M, see clause 4.9.1.

8.3.4.4.2 Procedure

- 1) Connect the SAN tester generating the wanted signal, multipath fading simulators and AWGN generators to all SAN TAB connectors for diversity reception via a combining network as shown in annex D.6 for *SAN type I-H*.
- 2) Adjust the AWGN generator, according to the subcarrier spacing and channel bandwidth defined in table 8.3.4.4.2-1.

Table 8.3.4.4.2-1: AWGN power level at the SAN input

Sub-carrier spacing (kHz)	Channel bandwidth (MHz)	AWGN power level
15	5	-83.5 dBm / 4.5 MHz
30	10	-80.6 dBm / 8.64 MHz
NOTE: The AWGN power level contains an AWGN offset of 16dB by default. If needed for test purposes, the AWGN level can be reduced from the default by any value in the range 0dB to 16dB. Changing the AWGN level does not impact the validity of the test, as it reduces the effective base band SNR level.		

- 3) The characteristics of the wanted signal shall be configured according to TS 38.211 [8]. The specific test parameters are configured as mentioned in table 8.3.4.4.2-2:

Table 8.3.4.4.2-2: Test parameters for PUCCH format 3

Parameter	Value
Modulation order	QPSK
First PRB prior to frequency hopping	0
Intra-slot frequency hopping	enabled
First PRB after frequency hopping	The largest PRB index – (Number of PRBs – 1)
Group and sequence hopping	neither
Hopping ID	0
Number of PRBs	1
Number of symbols	14
The number of UCI information bits	16
First symbol	0

- 4) The multipath fading emulators shall be configured according to the corresponding channel model defined in annex G.
- 5) Adjust the equipment so that the SNR specified in table 8.3.4.5-1 and table 8.3.4.5-2 is achieved at the SAN input during the UCI transmissions.

- 6) The signal generator sends a test pattern with the pattern outlined in figure 8.3.4.4.2-1. The following statistics are kept: the number of incorrectly decoded UCI.



Figure 8.3.4.4.2-1: Test signal pattern for PUCCH format 3 demodulation tests

8.3.4.5 Test requirement

The fraction of incorrectly decoded UCI shall be less than 1% for the SNR listed in table 8.3.4.5-1 and table 8.3.4.5-2.

Table 8.3.4.5-1: Test requirements for PUCCH format 3, 5 MHz channel bandwidth, 15 kHz SCS

Number of TX antennas	Number of RX antennas	Cyclic Prefix	Propagation conditions and correlation matrix (Annex G)	Additional DM-RS configuration	SNR (dB)
1	1	Normal	NTN-TDLA100-200 Low	No additional DM-RS	7.2
				Additional DM-RS	7.0
	2	Normal	NTN-TDLA100-200 Low	No additional DM-RS	0.9
				Additional DM-RS	0.6

Table 8.3.4.5-2: Test requirements for PUCCH format 3, 10 MHz channel bandwidth, 30 kHz SCS

Number of TX antennas	Number of RX antennas	Cyclic Prefix	Propagation conditions and correlation matrix (Annex G)	Additional DM-RS configuration	SNR (dB)
1	1	Normal	NTN-TDLA100-200 Low	No additional DM-RS	9.8
				Additional DM-RS	9.2
	2	Normal	NTN-TDLA100-200 Low	No additional DM-RS	2.2
				Additional DM-RS	1.9

8.3.5 Performance requirements for PUCCH format 4

8.3.5.1 Definition and applicability

The performance is measured by the required SNR at UCI block error probability not exceeding 1%.

The UCI block error probability is defined as the conditional probability of incorrectly decoding the UCI information when the UCI information is sent. The UCI information does not contain CSI part 2.

The transient period as specified in TS 38.101-5 [12] clause 6.3.3 is not taken into account for performance requirement testing, where the RB hopping is symmetric to the CC center, i.e. intra-slot frequency hopping is enabled.

Which specific test(s) are applicable to SAN is based on the test applicability rules defined in clause 8.1.2.

8.3.5.2 Minimum requirement

The minimum requirement is in TS 38.108 [2] clause 8.3.6.

8.3.5.3 Test purpose

The test shall verify the receiver's ability to detect UCI under multipath fading propagation conditions for a given SNR.

8.3.5.4 Method of test

8.3.5.4.1 Initial conditions

Test environment: Normal; see annex B.2.

RF channels to be tested for single carrier: M, see clause 4.9.1.

8.3.5.4.2 Procedure

- 1) Connect the SAN tester generating the wanted signal, multipath fading simulators and AWGN generators to all SAN TAB connectors for diversity reception via a combining network as shown in annex D.6 for SAN type 1-H.
- 2) Adjust the AWGN generator, according to the subcarrier spacing and channel bandwidth defined in table 8.3.5.4.2-1.

Table 8.3.5.4.2-1: AWGN power level at the SAN input

Sub-carrier spacing (kHz)	Channel bandwidth (MHz)	AWGN power level
15	5	-83.5 dBm / 4.5 MHz
30	10	-80.6 dBm / 8.64 MHz
NOTE: The AWGN power level contains an AWGN offset of 16dB by default. If needed for test purposes, the AWGN level can be reduced from the default by any value in the range 0dB to 16dB. Changing the AWGN level does not impact the validity of the test, as it reduces the effective base band SNR level.		

- 3) The characteristics of the wanted signal shall be configured according to TS 38.211 [8]. The test parameters are configured as mentioned in table 8.3.5.4.2-2:

Table 8.3.5.4.2-2: Test parameters for PUCCH format 4

Parameter	Value
Modulation order	QPSK
First PRB prior to frequency hopping	0
Number of PRBs	1
Intra-slot frequency hopping	enabled
First PRB after frequency hopping	The largest PRB index – (Number of PRBs – 1)
Group and sequence hopping	neither
Hopping ID	0
Number of symbols	14
The number of UCI information bits	22
First symbol	0
Length of the orthogonal cover code	n2
Index of the orthogonal cover code	n0

- 4) The multipath fading emulators shall be configured according to the corresponding channel model defined in annex G.
- 5) Adjust the equipment so that the SNR specified in table 8.3.5.5-1 and table 8.3.5.5-2 is achieved at the SAN input during the UCI transmissions.
- 6) The signal generator sends a test pattern with the pattern outlined in figure 8.3.5.4.2-1. The following statistics are kept: the number of incorrectly decoded UCI.



Figure 8.3.5.4.2-1: Test signal pattern for PUCCH format 4 demodulation tests

8.3.5.5 Test requirement

The fraction of incorrectly decoded UCI shall be less than 1% for the SNR listed in table 8.3.5.5-1 and table 8.3.5.5-2.

Table 8.3.5.5-1: Test requirements for PUCCH format 4, 5 MHz channel bandwidth, 15 kHz SCS

Number of TX antennas	Number of RX antennas	Cyclic Prefix	Propagation conditions and correlation matrix (Annex G)	Additional DM-RS configuration	SNR (dB)
1	1	Normal	NTN-TDLA100-200 Low	No additional DM-RS	9.5
				Additional DM-RS	9.2
	2	Normal	NTN-TDLA100-200 Low	No additional DM-RS	3.1
				Additional DM-RS	2.8

Table 8.3.5.5-2: Test requirements for PUCCH format 4, 10 MHz channel bandwidth, 30 kHz SCS

Number of TX antennas	Number of RX antennas	Cyclic Prefix	Propagation conditions and correlation matrix (Annex G)	Additional DM-RS configuration	SNR (dB)
1	1	Normal	NTN-TDLA100-200 Low	No additional DM-RS	11.1
				Additional DM-RS	11.1
	2	Normal	NTN-TDLA100-200 Low	No additional DM-RS	4.1
				Additional DM-RS	3.9

8.3.6 Performance requirements for multi-slot PUCCH

8.3.6.1 Performance requirements for multi-slot PUCCH format 1

8.3.6.1.1 NACK to ACK detection

8.3.6.1.1.1 Definition and applicability

The performance requirement of multi-slot PUCCH format 1 for NACK to ACK detection is determined by the two parameters: probability of false detection of the ACK and the NACK to ACK detection probability. The performance is measured by the required SNR at probability of the NACK to ACK detection equal to 0.1 % or less. The probability of false detection of the ACK shall be 1 % or less.

The probability of false detection of the ACK is defined as a conditional probability of erroneous detection of the ACK at particular bit position when input is only noise. Each false bit detection is counted as one error.

The NACK to ACK detection probability is the probability of detecting an ACK bit when an NACK bit was sent on particular bit position. Each NACK bit erroneously detected as ACK bit is counted as one error. Erroneously detected NACK bits in the definition do not contain the NACK bits which are mapped from DTX, i.e. NACK bits received when DTX is sent should not be considered.

Which specific test(s) are applicable to SAN is based on the test applicability rules defined in clause 8.1.2.

8.3.6.1.1.2 Minimum Requirement

The minimum requirement is in TS 38.108 [2] clause 8.3.7.

8.3.6.1.1.3 Test purpose

The test shall verify the receiver's ability not to falsely detect NACK bits as ACK bits under multipath fading propagation conditions for a given SNR.

8.3.6.1.1.4 Method of test

8.3.6.1.1.4.1 Initial conditions

Test environment: Normal; see annex B.2.

RF channels to be tested for single carrier: M, see clause 4.9.1.

8.3.6.1.1.4.2 Procedure

- 1) Connect the SAN tester generating the wanted signal, multipath fading simulators and AWGN generators to all SAN TAB connectors for diversity reception via a combining network as shown in annex D.6 for *SAN type 1-H*.
- 2) Adjust the AWGN generator, according to the combinations of SCS and channel bandwidth defined in Table 8.3.6.1.1.4.2-1.

Table 8.3.6.1.1.4.2-1: AWGN power level at the SAN input

Sub-carrier spacing (kHz)	Channel bandwidth (MHz)	AWGN power level
15	5	-83.5 dBm / 4.5 MHz
30	10	-80.6 dBm / 8.64 MHz
NOTE: The AWGN power level contains an AWGN offset of 16dB by default. If needed for test purposes, the AWGN level can be reduced from the default by any value in the range 0dB to 16dB. Changing the AWGN level does not impact the validity of the test, as it reduces the effective base band SNR level.		

- 3) The characteristics of the wanted signal shall be configured according to TS 38.211 [8], and the specific test parameters are configured as mentioned in table 8.3.6.1.1.4.2-2:

Table 8.3.6.1.1.4.2-2: Test parameters for multi-slot PUCCH format 1

Parameter	Test
Number of information bits	2
Number of PRBs	1
Number of symbols	14
First PRB prior to frequency hopping	0
Intra-slot frequency hopping	disabled
Inter-slot frequency hopping	enabled
First PRB after frequency hopping	The largest PRB index – (nrofPRBs – 1)
Group and sequence hopping	neither
Hopping ID	0
Initial cyclic shift	0
First symbol	0
Index of orthogonal cover code (<i>timeDomainOCC</i>)	0
Number of slots for PUCCH repetition	2

- 4) The multipath fading emulators shall be configured according to the corresponding channel model defined in annex G.
- 5) Adjusting the equipment so that the SNR specified in table 8.3.6.1.1.5-1 and table 8.3.6.1.1.5-2 is achieved at the SAN input during the transmissions.
- 6) The signal generator sends random codeword from applicable codebook, in regular time periods. The following statistics are kept: the number of ACK bits detected in the idle periods and the number of NACK bits detected as ACK.

8.3.6.1.1.5 Test Requirement

The fraction of falsely detected ACK bits shall be less than 1 % and the fraction of NACK bits falsely detected as ACK shall be less than 0.1 % for the SNR listed in table 8.3.6.1.1.5-1 and table 8.3.6.1.1.5-2.

Table 8.3.6.1.1.5-1: Test requirements for multi-slot PUCCH format 1, 5 MHz channel bandwidth, 15 kHz SCS

Number of TX antennas	Number of RX antennas	Cyclic Prefix	Propagation conditions and correlation matrix (annex G)	SNR (dB)
1	1	Normal	NTN-TDLA100-200 Low	1.2
	2	Normal	NTN-TDLA100-200 Low	-6.0

Table 8.3.6.1.1.5-2: Test requirements for multi-slot PUCCH format 1, 10 MHz channel bandwidth, 30 kHz SCS

Number of TX antennas	Number of RX antennas	Cyclic Prefix	Propagation conditions and correlation matrix (annex G)	SNR (dB)
1	1	Normal	NTN-TDLA100-200 Low	1.8
	2	Normal	NTN-TDLA100-200 Low	-5.0

8.3.6.1.2 ACK missed detection

8.3.6.1.2.1 Definition and applicability

The performance requirement of PUCCH format 1 for ACK missed detection is determined by the two parameters: probability of false detection of the ACK and the probability of detection of ACK. The performance is measured by the required SNR at probability of detection equal to 0.99. The probability of false detection of the ACK shall be 0.01 or less.

The probability of false detection of the ACK is defined as a conditional probability of erroneous detection of the ACK when input is only noise.

The probability of detection of ACK is defined as conditional probability of detection of the ACK when the signal is present.

Which specific test(s) are applicable to SAN is based on the test applicability rules defined in clause 8.1.2.

8.3.6.1.2.2 Minimum Requirement

The minimum requirement is in TS 38.108 [2] clause 8.3.7.

8.3.6.1.2.3 Test purpose

The test shall verify the receiver's ability to detect ACK bits under multipath fading propagation conditions for a given SNR.

8.3.6.1.2.4 Method of test

8.3.6.1.2.4.1 Initial conditions

Test environment: Normal; see annex B.2.

RF channels to be tested for single carrier: M, see clause 4.9.1.

8.3.6.1.2.4.2 Procedure

- 1) Connect the SAN tester generating the wanted signal, multipath fading simulators and AWGN generators to all SAN TAB connectors for diversity reception via a combining network as shown in annex D.6 for SAN type I-H respectively.
- 2) Adjust the AWGN generator, according to the combinations of SCS and channel bandwidth defined in table 8.3.6.1.2.4.2-1.

Table 8.3.6.1.2.4.2-1: AWGN power level at the SAN input

Sub-carrier spacing (kHz)	Channel bandwidth (MHz)	AWGN power level
15	5	-83.5 dBm / 4.5 MHz
30	10	-80.6 dBm / 8.64 MHz
NOTE: The AWGN power level contains an AWGN offset of 16dB by default. If needed for test purposes, the AWGN level can be reduced from the default by any value in the range 0dB to 16dB. Changing the AWGN level does not impact the validity of the test, as it reduces the effective base band SNR level.		

- 3) The characteristics of the wanted signal shall be configured according to TS 38.211 [8], and the specific test parameters are configured as mentioned in table 8.3.6.1.2.4.2-2:

Table 8.3.6.1.2.4.2-2: Test parameters for multi-slot PUCCH format 1

Parameter	Test
Number of information bits	2
Number of PRBs	1
Number of symbols	14
First PRB prior to frequency hopping	0
Intra-slot frequency hopping	disabled
Inter-slot frequency hopping	enabled
First PRB after frequency hopping	The largest PRB index – (nrOfPRBs – 1)
Group and sequence hopping	neither
Hopping ID	0
Initial cyclic shift	0
First symbol	0
Index of orthogonal cover code (<i>timeDomainOCC</i>)	0
Number of slots for PUCCH repetition	2

- 4) The multipath fading emulators shall be configured according to the corresponding channel model defined in annex G.
- 5) Adjusting the equipment so that the SNR specified in table 8.3.6.1.2.5-1 and table 8.3.6.1.2.5-2 is achieved at the SAN input during the transmissions.
- 6) The signal generator sends random codewords from applicable codebook, in regular time periods. The following statistics are kept: the number of ACK bits falsely detected in the idle periods and the number of missed ACK bits. Each falsely detected ACK bit in the idle periods is accounted as one error for the statistics of false ACK detection, and each missed ACK bit is accounted as one error for the statistics of missed ACK detection.

Note that the procedure described in this clause for ACK missed detection has the same condition as that described in clause 8.3.6.1.1.4.2 for NACK to ACK detection. Both statistics are measured in the same testing.

8.3.6.1.2.5 Test Requirement

The fraction of falsely detected ACK bits shall be less than 1 % and the fraction of correctly detected ACK bits shall be larger than 99 % for the SNR listed in table 8.3.6.1.2.5-1 and table 8.3.6.1.2.5-2.

Table 8.3.6.1.2.5-1: Test requirements for multi-slot PUCCH format 1, 5 MHz channel bandwidth, 15 kHz SCS

Number of TX antennas	Number of RX antennas	Cyclic Prefix	Propagation conditions and correlation matrix (annex G)	SNR (dB)
1	1	Normal	NTN-TDLA100-200 Low	-1.3
	2	Normal	NTN-TDLA100-200 Low	-7.4

Table 8.3.6.1.2.5-2: Test requirements for multi-slot PUCCH format 1, 10 MHz channel bandwidth, 30 kHz SCS

Number of TX antennas	Number of RX antennas	Cyclic Prefix	Propagation conditions and correlation matrix (annex G)	SNR (dB)
1	1	Normal	NTN-TDLA100-200 Low	-0.6
	2	Normal	NTN-TDLA100-200 Low	-7.0

8.4 Performance requirements for PRACH

8.4.1 PRACH false alarm probability and missed detection

8.4.1.1 Definition and applicability

The performance requirement of PRACH for preamble detection is determined by the two parameters: total probability of false detection of the preamble (Pfa) and the probability of detection of preamble (Pd). The performance is measured by the required SNR at probability of detection, Pd of 99%. Pfa shall be 0.1% or less.

Pfa is defined as a conditional total probability of erroneous detection of the preamble (i.e., erroneous detection from any detector) when input is only noise.

Pd is defined as conditional probability of detection of the preamble when the signal is present. The erroneous detection consists of several error cases – detecting only different preamble(s) than the one that was sent, not detecting any preamble at all, or detecting the correct preamble but with the out-of-bounds timing estimation value.

For AWGN and NTN-TDLA100-200, a timing estimation error occurs if the estimation error of the timing of the strongest path is larger than the time error tolerance values given in table 8.4.1.1-1.

Table 8.4.1.1-1: Time error tolerance for AWGN and NTN-TDLA100-200

PRACH preamble	PRACH SCS (kHz)	Time error tolerance	
		AWGN	NTN-TDLA100-200
0, 2	1.25	1.04 us	1.33 us
B4, C2	15	0.52 us	0.81 us
	30	0.26 us	0.55 us

The test preambles for normal mode are listed in table A.4-1.

Which specific test(s) are applicable to SAN is based on the test applicability rules defined in clause 8.1.2.

8.4.1.2 Minimum requirement

The minimum requirement is in TS 38.108 [2] clause 8.4.1.2.

8.4.1.3 Test purpose

The test shall verify the receiver's ability to detect PRACH preamble under static conditions and multipath fading propagation conditions for a given SNR.

8.4.1.4 Method of test

8.4.1.4.1 Initial conditions

Test environment: Normal, see Annex B.2.

RF channels to be tested: for single carrier: M; see clause 4.9.1.

8.4.1.4.2 Procedure

- 1) Connect the BS tester generating the wanted signal, multipath fading simulators and AWGN generators to all SAN TAB connectors for diversity reception via a combining network as shown in D.6 for SAN type 1-H.
- 2) Adjust the AWGN generator, according to the SCS and channel bandwidth.

Table 8.4.1.4.2-1: AWGN power level at the SAN input

Sub-carrier spacing (kHz)	Channel bandwidth (MHz)	AWGN power level
15	5	-83.5 dBm / 4.5MHz
30	10	-80.6 dBm / 8.64MHz

NOTE: The AWGN power level contains an AWGN offset of 16dB by default. If needed for test purposes, the AWGN level can be reduced from the default by any value in the range 0dB to 16dB. Changing the AWGN level does not impact the validity of the test, as it reduces the effective base band SNR level.

- 3) The characteristics of the wanted signal shall be configured according to the corresponding UL reference measurement channel defined in annex A and the test parameter *msg1-FrequencyStart* is set to 0.
- 4) The multipath fading emulators shall be configured according to the corresponding channel model defined in annex G.
- 5) Adjust the frequency offset of the test signal according to table 8.4.1.5-1 or 8.4.1.5-2 or 8.4.1.5-3.
- 6) Adjust the equipment so that the SNR specified in table 8.4.1.5-1 or 8.4.1.5-2 or 8.4.1.5-3 is achieved at the SAN input during the PRACH preambles.
- 7) The test signal generator sends a preamble, and the receiver tries to detect the preamble. This pattern is repeated as illustrated in figure 8.4.1.4.2-1. The preambles are sent with certain timing offsets as described below. The following statistics are kept: the number of preambles detected in the idle period and the number of missed preambles.



Figure 8.4.1.4.2-1: PRACH preamble test pattern

The timing offset base value for PRACH preamble format 0 is set to 50% of N_{cs} . This offset is increased within the loop, by adding in each step a value of 0.1 μ s, until the end of the tested range, which is 0.9 μ s. Then the loop is being reset and the timing offset is set again to 50% of N_{cs} . The timing offset scheme for PRACH preamble format 0 and format 2 is presented in figure 8.4.1.4.2-2.

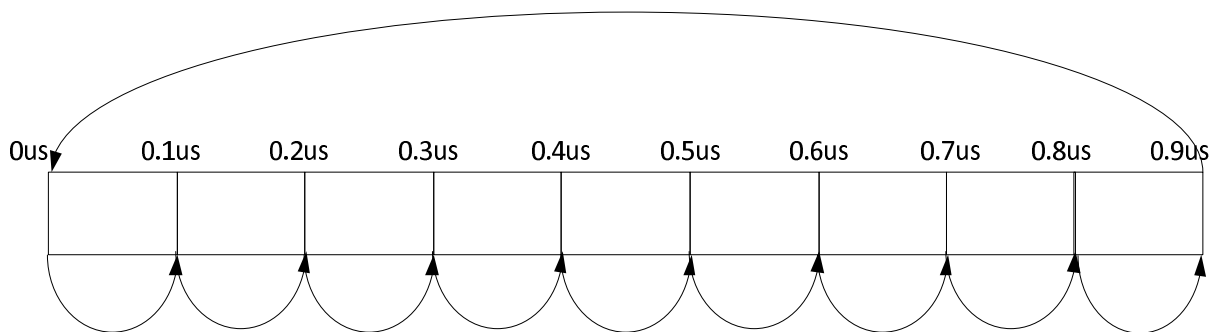


Figure 8.4.1.4.2-2: Timing offset scheme for PRACH preamble format 0 and format 2

The timing offset base value for PRACH preamble format B4 and C2 is set to 0. This offset is increased within the loop, by adding in each step a value of 0.1 μ s, until the end of the tested range, which is 0.8 μ s. Then the loop is being reset

and the timing offset is set again to 0. The timing offset scheme for PRACH preamble format B4 and C2 is presented in figure 8.4.1.4.2-3.

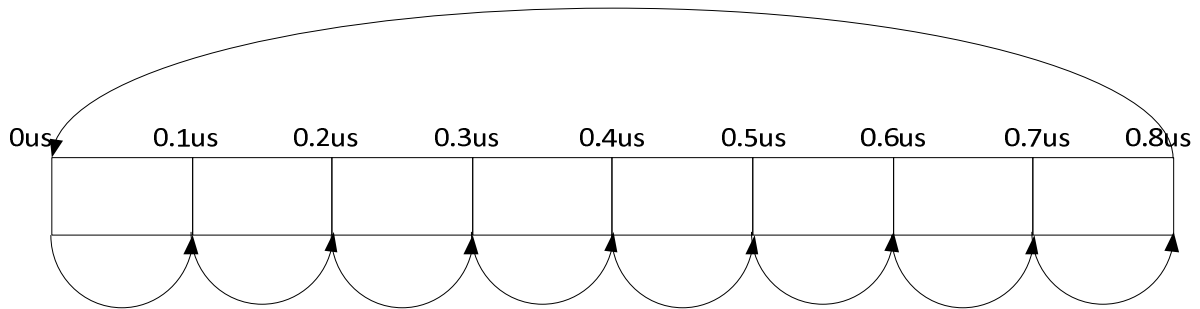


Figure 8.4.1.4.2-3: Timing offset scheme for PRACH preamble format B4 and C2

8.4.1.5 Test requirement for Normal Mode

Pfa shall not exceed 0.1%. Pd shall not be below 99% for the SNRs in tables 8.4.1.5-1 to 8.4.1.5-3.

Table 8.4.1.5-1: PRACH missed detection test requirements for Normal Mode, 1.25 kHz SCS

Number of TX antennas	Number of RX antennas	Propagation conditions and correlation matrix (annex G)	Time error tolerance	Frequency offset	SNR (dB)	
					Burst format 0	Burst format 2
1	1	AWGN	1.04 us	0	-11.7	-17.1
		NTN-TDLA100-200 Low	1.33 us	200 Hz	1.3	-9.1
	2	AWGN	1.04 us	0	-14.2	-19.5
		NTN-TDLA100-200 Low	1.33 us	200 Hz	-6.2	-14.3

Table 8.4.1.5-2: PRACH missed detection test requirements for Normal Mode, 15 kHz SCS

Number of TX antennas	Number of RX antennas	Propagation conditions and correlation matrix (annex G)	Time error tolerance	Frequency offset	SNR (dB)	
					Burst format B4	Burst format C2
1	1	AWGN	0.52 us	0	-14.3	-8.9
		NTN-TDLA100-200 Low	0.81 us	200 Hz	-2.1	2.5
	2	AWGN	0.52 us	0	-16.5	-12.2
		NTN-TDLA100-200 Low	0.81 us	200 Hz	-8.4	-4.2

Table 8.4.1.5-3: PRACH missed detection test requirements for Normal Mode, 30 kHz SCS

Number of TX antennas	Number of RX antennas	Propagation conditions and correlation matrix (annex G)	Time error tolerance	Frequency offset	SNR (dB)	
					Burst format B4	Burst format C2
1	1	AWGN	0.52 us	0	-14.1	-8.9
		NTN-TDLA100-200 Low	0.81 us	200 Hz	-3.7	0.7
	2	AWGN	0.52 us	0	-16.2	-11.6
		NTN-TDLA100-200 Low	0.81 us	200 Hz	-9.4	-5.2

9 Radiated transmitter characteristics

9.1 General

General test conditions for transmitter tests are given in clause 4, including interpretation of measurement results and configurations for testing. SAN configurations for the tests are defined in clause 4.5.

If beams have been declared equivalent and parallel (D.13, D.14), only a representative beam is necessary to be tested to demonstrate conformance.

9.2 Radiated transmit power

9.2.1 Definition and applicability

Radiated transmit power is defined as the EIRP level for a declared beam at a specific *beam peak direction*.

For each declared beam, the requirement is based on declarations given in clause 4.6 for a beam identifier (D.3), *reference beam direction pair* (D.8), *rated beam EIRP* (D.11) at the beam's reference direction pair, *OTA peak directions set* (D.9), the *beam direction pairs* at the maximum steering directions (D.10) and their associated *rated beam EIRP* and *beam width(s)* for *reference beam direction pair* and maximum steering directions (D.12).

For a declared beam identifier and *beam direction pair*, the *rated beam EIRP* level is the maximum power that the SAN is declared to radiate at the associated *beam peak direction*.

For each *beam peak direction* associated with a *beam direction pair* within the *OTA peak directions set*, a specific *rated beam EIRP* level may be claimed. Any claimed value shall be met within the accuracy requirement as described below. *Rated beam EIRP* is only required to be declared for the *beam direction pairs* subject to conformance testing as detailed in clause 9.2.4.1.

NOTE 1: The *OTA peak directions set* for a beam is the complete continuous or discrete set of all *beam direction* for which the EIRP requirement is achieved for the beam.

NOTE 2: A beam direction pair consists of a beam centre direction and an associated beam peak direction.

Radiated transmit power is directional requirement applicable to *SAN type 1-H*, *SAN type 1-O* and *SAN type 2-O*.

9.2.2 Minimum requirement

Radiated transmit power minimum requirement for *SAN type 1-H* and *SAN type 1-O* is defined in TS 38.108 [2], clause 9.2.2.

Radiated transmit power minimum requirement for *SAN type 2-O* is defined in TS 38.108 [2], clause 9.2.3.

9.2.3 Test purpose

The test purpose is to verify the ability to accurately generate and direct radiated power per beam, across the frequency range and under normal conditions, for all declared beams of the *SAN type 1-H*, *SAN type 1-O* and *SAN type 2-O*.

9.2.4 Method of test

9.2.4.1 Initial conditions

Test environment: Test to be performed on environment as declared by the manufacturer.

Directions to be tested:

- OTA peak directions set reference beam direction pair (D.8), and

- OTA peak directions set maximum steering directions (D.10).

Beams to be tested: A representative number of beams shall be chosen to demonstrate the SAN conformance to radiated power requirements.

9.2.4.2 Procedure

The test procedure is as follows:

- 1) Place the satellite on the positioner.
- 2) Align the manufacturer declared coordinate system orientation (D.2) of the satellite with the test system.
- 3) Orient the positioner and satellite in order that the direction to be tested aligns with the test antenna.
- 4) Configure the *beam peak direction* of the satellite according to the declared *beam direction pair*.
- 5) Set the SAN to transmit according to the applicable test configuration in clause 4.8 using the corresponding test model(s) in clause 4.9.2.

For a SAN declared to be capable of multi-carrier operation use the applicable test signal configuration and corresponding power setting specified in clauses 4.7.2 and 4.8 using the corresponding test model(s) in clause 4.9.2 on all carriers configured.

- 6) Measure EIRP for any two orthogonal polarizations (denoted p1 and p2) and calculate total radiated transmit power for particular *beam direction pair* as $EIRP = EIRP_{p1} + EIRP_{p2}$.
- 7) Test steps 3 to 6 are repeated for all declared beams (D.3) and their reference *beam direction pairs* and *maximum steering directions* (D.8 and D.10).

For multi-band capable SAN and single band tests, repeat the steps above per involved *operating band* where single band test configurations and test models shall apply with no carriers activated in the other band.

9.2.5 Test requirement

For each declared conformance *beam direction pair*, the EIRP measurement results in clause 9.2.4.2 shall remain within the values provided in table 9.2.5-1, relative to the manufacturer's declared rated beam EIRP (D.11) value:

Table 9.2.5-1: Test requirement for radiated transmit power

	Normal test environment
SAN type 1-H, SAN type 1-O	$f \leq 3 \text{ GHz}: \pm 3.3 \text{ dB}$
SAN type 2-O	$17.3 \text{ GHz} < f \leq 20.2 \text{ GHz}: \pm 5.1 \text{ dB}$

9.3 OTA SAN output power

9.3.1 Definition and applicability

OTA SAN output power is declared as rated carrier TRP.

9.3.2 Minimum requirement

The minimum requirement for *SAN type 1-O* is specified in TS 38.108, clause 9.3.

The minimum requirement for *SAN type 2-O* is specified in TS 38.108, clause 9.3.

9.3.3 Test purpose

The test purpose is to measure the *maximum carrier TRP* ($P_{\max,c,TRP}$) across the frequency range for all *RIBs*.

9.3.4 Method of test

9.3.4.1 Initial conditions

Test environment: Test to be performed on environment as declared by the manufacturer.

RF channels to be tested for single carrier: B, M, T; see clause 4.9.1.

SAN RF Bandwidth positions to be tested for multi-carrier:

- B_{RFBW} , M_{RFBW} and T_{RFBW} in single band operation; see clause 4.9.1.

Beams to be tested:

As the requirement is TRP the beam pattern(s) may be set up to optimise the TRP measurement procedure as long as the required TRP level is achieved.

9.3.4.2 Procedure

The following procedure for measuring TRP is based on the directional power measurements.

- 1) Place the satellite on the positioner.
- 2) Align the manufacturer declared coordinate system orientation (D.2) of the satellite with the test system.
- 3) Configure the satellite such that the beam peak direction(s) applied during the power measurement step 6 are consistent with the grid and measurement approach for the TRP test.
- 4) Set the SAN to transmit according to the applicable test configuration in clause 4.8 using the corresponding test model(s) in clause 4.9.2.

For a SAN declared to be capable of multi-carrier operation use the applicable test signal configuration and corresponding power setting specified in clauses 4.7.2 and 4.8 using the corresponding test model(s) in clause 4.9.2 on all carriers configured.

- 5) Orient the positioner and satellite in order that the direction to be tested aligns with the test antenna such that measurements to determine TRP can be performed.
- 6) Measure the radiated power for any two orthogonal polarizations (denoted p1 and p2) and calculate total radiated transmit power for particular beam direction pair as $EIRP = EIRP_{p1} + EIRP_{p2}$.
- 7) Repeat step 6-7 for all directions in the appropriated TRP measurement grid needed for full TRP estimation
- 8) Calculate TRP using the EIRP measurements.

For single band tests, repeat the steps above per involved band where single band test configurations and test models shall apply with no carriers activated in the other band.

9.3.5 Test requirement

9.3.5.1 SAN type 1-O

The final TRP measurement result in clause 9.3.4.2 shall remain:

- within +3.4 dB and -3.4 dB of the manufacturer's declared *rated carrier TRP* $P_{\text{rated},c,TRP}$ carrier frequency $f \leq 3.0$ GHz;

9.3.5.2 SAN type 2-O

The final TRP measurement result in clause 9.3.4.2 shall remain:

- within +5.1 dB and -5.1 dB of the manufacturer's declared *rated carrier TRP* $P_{\text{rated,c,TRP}}$ carrier frequency $17.3 \text{ GHz} < f \leq 20.2 \text{ GHz}$;

9.4 OTA output power dynamics

9.4.1 General

The requirements in clause 9.4 apply during the *transmitter ON period*. Transmit signal quality (as specified in clause 9.6) shall be maintained for the output power dynamics requirements.

The OTA output power requirements are single direction requirements and apply to the beam peak directions over the OTA peak directions set.

9.4.2 OTA RE power control dynamic range

9.4.2.1 Definition and applicability

The OTA RE power control dynamic range is the difference between the power of an RE and the average RE power for a SAN at maximum output power ($P_{\text{max,c,EIRP}}$) for a specified reference condition.

This requirement shall apply at each RIB supporting transmission in the *operating band*.

9.4.2.2 Minimum requirement

The minimum requirement for *SAN type 1-O* is in TS 38.108 [2], clause 9.4.2.2.

9.4.2.3 Method of test

No specific test or test requirements are defined for RE power control dynamic range. The Error Vector Magnitude test, as described in clause 9.6 provides sufficient test coverage for this requirement.

9.4.3 OTA total power dynamic range

9.4.3.1 Definition and applicability

The OTA total power dynamic range is the difference between the maximum and the minimum transmit power of an OFDM symbol for a specified reference condition.

This requirement shall apply at each RIB supporting transmission in the *operating band*.

NOTE: The upper limit of the OTA total power dynamic range is the SAN maximum carrier EIRP ($P_{\text{max,c,EIRP}}$) when transmitting on all RBs. The lower limit of the OTA total power dynamic range is the average EIRP for single RB transmission in the same direction using the same beam. The OFDM symbols shall carry PDSCH and not contain PDCCH, RS or SSB.

9.4.3.2 Minimum requirement

The minimum requirement for *SAN type 1-O* is in TS 38.108 [2], clause 9.4.3.2.

The minimum requirement for *SAN type 2-O* is in TS 38.108 [2], clause 9.4.3.3.

9.4.3.3 Test purpose

The test purpose is to verify that the total power dynamic range is within the limits specified by the minimum requirement.

9.4.3.4 Method of test

9.4.3.4.1 Initial conditions

Test environment: Normal, see annex B.2.

RF channels to be tested for single carrier: M; see clause 4.9.1.

Beams to be tested: Declared beam with the highest intended EIRP for the narrowest intended beam corresponding to the smallest $BeW\theta$, or for the narrowest intended beam corresponding to the smallest $BeW\phi$ (D.3, D.11).

Directions to be tested: The OTA peak directions set reference beam direction pair (D.8).

9.4.3.4.2 Procedure

- 1) Place the SAN at the positioner.
- 2) Align the manufacturer declared coordinate system orientation (D.2) of the SAN with the test system.
- 3) Orient the positioner (and SAN) in order that the direction to be tested aligns with the test antenna.
- 4) Configure the beam peak direction of the SAN according to the declared beam direction pair.
- 5) For *SAN type 1-O*, set the SAN to transmit a signal according to the applicable test configuration in clause 4.8 using the corresponding test models:
 - NR-SAN-FR1-TM3.1 if 64QAM is supported by SAN without power back off, or
 - NR-SAN-FR1-TM3.1 with all 64QAM PDSCH PRBs replaced by 16QAM PDSCH PRBs if 64QAM is supported by SAN with power back off, or
 - NR-SAN-FR1-TM3.1 with all 64QAM PDSCH PRBs replaced by 16QAM PDSCH PRBs if 64QAM is not supported by SAN but 16QAM is supported by SAN, or
 - NR-SAN-FR1-TM3.1 with all 64QAM PDSCH PRBs replaced by QPSK PDSCH PRBs if 16QAM is not supported by SAN.

For *SAN type 2-O*, set the SAN to transmit a signal according to the applicable test configuration in clause 4.8 using the corresponding test models:

- NR-SAN-FR2-TM3.1 with 64QAM signals if 64QAM is supported by SAN without power back off;
 - NR-SAN-FR2-TM3.1 with highest modulation order supported without power back off if 64QAM is not supported by SAN, or;
 - NR-SAN-FR2-TM3.1 with highest modulation order supported without power back off if 64QAM is supported by SAN with power back off;
- 6) Measure the OFDM symbol TX power as defined in annex L by measuring the EIRP for any two orthogonal polarizations (denoted p_1 and p_2) and calculate total radiated transmit power for particular *beam direction pair* as $EIRP = EIRP_{p_1} + EIRP_{p_2}$.
 - 7) For *SAN type 1-O*, set the SAN to transmit a signal according to the applicable test configuration in clause 4.8 using the corresponding test models:
 - NR-SAN-FR1-TM2 if 64QAM is supported by SAN, or
 - NR-SAN-FR1-TM2 with all 64QAM PDSCH PRBs replaced by 16QAM PDSCH PRBs if 64QAM is not supported by SAN and 16QAM is supported;

- NR-SAN-FR1-TM2 with all 64QAM PDSCH PRBs replaced by QPSK PDSCH PRBs if 64QAM and 16QAM are both not supported;

For SAN *type 2-O*, set the SAN to transmit a signal according to the applicable test configuration in clause 4.8 using the corresponding test models:

- NR-SAN-FR2-TM2 if 64QAM is supported by SAN, or;
 - NR-SAN-FR2-TM2 with highest modulation order supported if 64QAM is not supported by SAN;
- 8) Measure the OFDM symbol TX power (OSTP) as defined in annex L by measuring the EIRP for any two orthogonal polarizations (denoted p1 and p2) and calculate total radiated transmit power for particular *beam direction pair* as $EIRP = EIRP_{p1} + EIRP_{p2}$.

The measured OFDM symbols shall not contain RS or SSB.

9.4.3.5 Test requirement

9.4.3.5.1 SAN type 1-O

The downlink (DL) total power dynamic range for each NR carrier shall be larger than or equal to the level in table 6.4.3.5.1-1.

Table 9.4.3.5.1-1: Total power dynamic range

SAN channel bandwidth (MHz)	Total power dynamic range (dB)		
	15 kHz SCS	30 kHz SCS	60 kHz SCS
5	13.5	10	N/A
10	16.7	13.4	10
15	18.5	15.3	12.1
20	19.8	16.6	13.4

NOTE: Additional test requirements for the Error Vector Magnitude (EVM) at the lower limit of the dynamic range are defined in clause 6.6.

9.4.3.5.2 SAN type 2-O

OTA total power dynamic range minimum requirement for SAN *type 2-O* is specified such as for each NR carrier it shall be larger than or equal to the levels specified in table 9.4.3.5.2-1.

Table 9.4.3.5.2-1: Minimum requirement for SAN type 2-O total power dynamic range

SCS (kHz)	50 MHz	100 MHz	200 MHz	400 MHz
	OTA total power dynamic range (dB)			
60	17.7	20.8	23.8	N/A
120	14.6	17.7	20.8	23.8

NOTE: Additional test requirements for the EVM at the lower limit of the dynamic range are defined in clause 6.6.

9.5 OTA transmit ON/OFF power

The requirement is not applicable in this version of the specification.

9.6 OTA transmitted signal quality

9.6.1 General

The requirements in clause 9.6 apply during the *transmitter ON period*.

9.6.2 OTA frequency error

9.6.2.1 Definition and applicability

OTA frequency error is the measure of the difference between the actual SAN transmit frequency and the assigned frequency. The same source shall be used for RF frequency and data clock generation.

OTA frequency error requirement is defined as a directional requirement at the RIB and shall be met within the OTA coverage range.

9.6.2.2 Minimum Requirement

The minimum requirement for *SAN type 1-O* is in TS 38.108 [2], clause 9.6.1.2.

The minimum requirement for *SAN type 2-O* is in TS 38.108 [2], clause 9.6.1.3.

9.6.2.3 Test purpose

The test purpose is to verify that OTA frequency error is within the limit specified by the minimum requirement.

9.6.2.4 Method of test

Requirement is tested together with OTA modulation quality test, as described in clause 9.6.3.

9.6.2.4.1 Initial conditions

Directions to be tested: OTA coverage range reference direction (D.30).

9.6.2.5 Test Requirements

The modulated carrier frequency of each NR carrier configured by the SAN shall be accurate to within 0.05 ppm + 12 Hz (tolerance) observed over 1 ms.

9.6.3 OTA modulation quality

9.6.3.1 Definition and applicability

OTA modulation quality is defined by the difference between the measured carrier signal and an ideal signal. Modulation quality can e.g. be expressed as Error Vector Magnitude (EVM). The Error Vector Magnitude is a measure of the difference between the ideal symbols and the measured symbols after the equalization. This difference is called the error vector.

OTA modulation quality requirement is defined as a directional requirement at the RIB and shall be met within the *OTA coverage range*.

9.6.3.2 Minimum Requirement

The minimum requirement for *SAN type 1-O*, is in TS 38.108 [2], clause 9.6.2.2.

The minimum requirement for *SAN type 2-O*, is in TS 38.108 [2], clause 9.6.2.3.

9.6.3.3 Test purpose

The test purpose is to verify that OTA modulation quality is within the limit specified by the minimum requirement.

9.6.3.4 Method of test

9.6.3.4.1 Initial conditions

Test environment: Normal; see annex B.2.

RF channels to be tested for single carrier:

- B and T; see clause 4.9.1.

SAN RF bandwidth positions to be tested for multi-carrier:

- B_{RFBW} and T_{RFBW} in single-band operation, see clause 4.9.1;

Directions to be tested:

- The OTA coverage range reference direction (D.30).
- The OTA coverage range maximum directions (D.31).

Polarizations to be tested: For dual polarized systems the requirement shall be tested and met for both polarizations.

9.6.3.4.2 Procedure

- 1) Place the SAN at the positioner.
- 2) Align the manufacturer declared coordinate system orientation (D.2) of the SAN with the test system.
- 3) Orient the positioner (and SAN) in order that the direction to be tested aligns with the test antenna.
- 4) Configure the beamforming settings of the SAN according to the direction to be tested.
- 5) Set the SAN to output according to the applicable test configuration in clause 4.8 using the corresponding test models or set of physical channels in clause 4.9.2.

For *SAN type I-O* declared to be capable of single carrier operation only, set the SAN to transmit a signal according to:

- NR-SAN-FR1-TM3.1 if 64QAM is supported by SAN without power back off, or
- NR-SAN-FR1-TM3.1 at manufacturer's declared rated output power if 64QAM is supported by SAN with power back off, and NR-SAN-FR1-TM3.2 at maximum power, or
- NR-SAN-FR1-TM3.2 if highest modulation order supported by SAN is 16QAM, or
- NR-SAN-FR1-TM3.3 if highest modulation order supported by SAN is QPSK.

For *SAN type I-O* declared to be capable of multi-carrier operation, set the SAN to transmit according to the applicable test signal configuration and corresponding power setting specified in clauses 4.7.2 and 4.8 using the corresponding test models on all carriers configured:

- NR-SAN-FR1-TM3.1 if 64QAM is supported by SAN without power back off, or
- NR-SAN-FR1-TM3.1 at manufacturer's declared rated output power if 64QAM is supported by SAN with power back off, and NR-SAN-FR1-TM3.2 at maximum power, or
- NR-SAN-FR1-TM3.2 if highest modulation order supported by SAN is 16QAM, or
- NR-SAN-FR1-TM3.3 if highest modulation order supported by SAN is QPSK.

For *SAN type 2-O* declared to be capable of single carrier operation only, set the SAN to transmit a signal according to the applicable test signal configuration and corresponding power setting specified in clause 4.7.2 and 4.8 using the corresponding test models on all carriers configured:

- NR-SAN-FR2-TM3.1 with 64QAM signal if 64QAM is supported by SAN without power back off, or
- NR-SAN-FR2-TM3.1 with highest modulation order without power back off if 64QAM is not supported by SAN, or
- if 64 QAM is supported by SAN with power back off, NR-SAN-FR2-TM 3.1 with 64QAM at manufacturer's declared rated output power ($P_{\text{rated,c,EIRP}}$) and NR-SAN-FR2-TM3.1 with highest modulation order supported at maximum power.

For *SAN type 2-O* declared to be capable of multi-carrier operation, set the SAN to transmit according to:

- NR-SAN-FR2-TM3.1 with 64QAM signal if 64QAM is supported by SAN without power back off, or
- NR-SAN-FR2-TM3.1 with highest modulation order supported without power back off if 64QAM is not supported by SAN, or
- if 64QAM is supported by SAN with power back off, NR-SAN-FR2-TM3.1 with 64QAM signal at manufacturer's declared rated output power ($P_{\text{rated,c,EIRP}}$) and NR-SAN-FR2-TM3.1 with highest supported modulation order at maximum power.

For NR-SAN-FR1-TM3.1 and NR-SAN-FR2-TM3.1, power back-off shall be applied if it is declared.

- 6) For each carrier, measure the EVM and frequency error as defined in annex H.

9.6.3.5 Test requirements

9.6.3.5.1 *SAN type 1-O*

For *SAN type 1-O*, the EVM of each NR carrier for different modulation schemes on PDSCH shall be less than the limits in table 9.6.3.5.1-1 for FR1-NTN.

Table 9.6.3.5.1-1: EVM requirements for *SAN type 1-O* for FR1-NTN

Modulation scheme for PDSCH	Required EVM
QPSK	18.5 %
16QAM	13.5 %
64QAM (NOTE)	9 %
NOTE: EVM requirement for 64QAM is optional.	

EVM shall be evaluated for each NR carrier over all allocated resource blocks and downlink slots. Different modulation schemes listed in table 9.6.3.5.1-1 shall be considered for rank 1.

For NR, for all bandwidths, the EVM measurement shall be performed for each NR carrier over all allocated resource blocks and downlink slots within 10 ms measurement periods. The boundaries of the EVM measurement periods need not be aligned with radio frame boundaries.

Table 9.6.3.5.1-2, 9.6.3.5.1-3, 9.6.3.5.1-4 below specify the EVM window length (W) for normal CP for *SAN type 1-O*.

Table 9.6.3.5.1-2: EVM window length for normal CP, FR1-NTN, 15 kHz SCS

Channel bandwidth (MHz)	FFT size	CP length for symbols 1-6 and 8-13 in FFT samples	EVM window length W	Ratio of W to total CP length for symbols 1-6 and 8-13 (Note) (%)
5	512	36	14	40
10	1024	72	28	40
15	1536	108	44	40
20	2048	144	58	40
NOTE: These percentages are informative and apply to a slot's symbols 1 to 6 and 8 to 13. Symbols 0 and 7 have a longer CP and therefore a lower percentage.				

Table 9.6.3.5.1-3: EVM window length for normal CP, FR1-NTN, 30 kHz SCS

Channel bandwidth (MHz)	FFT size	CP length for symbols 1-13 in FFT samples	EVM window length W	Ratio of W to total CP length for symbols 1-13 (Note) (%)
5	256	18	8	40
10	512	36	14	40
15	768	54	22	40
20	1024	72	28	40

NOTE: These percentages are informative and apply to a slot's symbols 1 through 13. Symbol 0 has a longer CP and therefore a lower percentage.

Table 9.6.3.5.1-4: EVM window length for normal CP for NR, FR1-NTN, 60 kHz SCS

Channel bandwidth (MHz)	FFT size	CP length in FFT samples	EVM window length W	Ratio of W to total CP length (Note) (%)
10	256	18	8	40
15	384	27	11	40
20	512	36	14	40

NOTE: These percentages are informative and apply to all OFDM symbols within subframe except for symbol 0 of slot 0 and slot 2. Symbol 0 of slot 0 and slot 2 may have a longer CP and therefore a lower percentage.

9.6.3.5.2 SAN type 2-O

For *SAN type 2-O*, the EVM of each NR carrier for different modulation schemes on PDSCH shall be less than the limits in table 9.6.3.5.2-1 for FR2-NTN.

Table 9.6.3.5.2-1: EVM requirements for *SAN type 2-O* for FR2-NTN

Modulation scheme for PDSCH	Required EVM (%)
QPSK	18.5
16QAM	13.5
64QAM	9

EVM requirements shall apply for each NR carrier over all allocated resource blocks and downlink slots. PT-RS should be configured for localized setting for every fourth symbol for every second RB. Different modulation schemes listed in table 9.6.3.5.2-1 shall be considered for rank 1.

For FR2-NTN, for all bandwidths, the EVM measurement shall be performed for each NR carrier over all allocated resource blocks and downlink slots within 10 ms measurement periods. The boundaries of the EVM measurement periods need not be aligned with radio frame boundaries.

Table 9.6.3.5.2-2, 9.6.3.5.2-3, below specify the EVM window length (W) for normal CP for *SAN type 2-O*.

Table 9.6.3.5.2-2: EVM window length for normal CP, FR2-NTN, 60 kHz SCS

Channel bandwidth (MHz)	FFT size	Cyclic prefix length in FFT samples	EVM window length W	Ratio of W to total CP length (Note) (%)
50	1024	72	36	50
100	2048	144	72	50
200	4096	288	144	50

NOTE: These percentages are informative and apply to all OFDM symbols within subframe except for symbol 0 of slot 0 and slot 2. Symbol 0 of slot 0 and slot 2 may have a longer CP and therefore a lower percentage.

Table 9.6.3.5.2-3: EVM window length for normal CP, FR2-NTN, 120 kHz SCS

Channel bandwidth (MHz)	FFT size	Cyclic prefix length in FFT samples	EVM window length W	Ratio of W to total CP length (Note) (%)
50	512	36	18	50
100	1024	72	36	50
200	2048	144	72	50
400	4096	288	144	50

NOTE: These percentages are informative and apply to all OFDM symbols within subframe except for symbol 0 of slot 0 and slot 4. Symbol 0 of slot 0 and slot 4 may have a longer CP and therefore a lower percentage.

9.7 OTA unwanted emissions

9.7.1 General

Unwanted emissions consist of so-called out-of-band emissions and spurious emissions according to ITU definitions ITU-R SM.329 [4]. In ITU terminology, out of band emissions are unwanted emissions immediately outside the *SAN channel bandwidth* resulting from the modulation process and non-linearity in the transmitter but excluding spurious emissions. Spurious emissions are emissions which are caused by unwanted transmitter effects such as harmonics emission, parasitic emission, intermodulation products and frequency conversion products, but exclude out of band emissions.

The OTA out-of-band emissions requirement for the *SAN type 1-O* and *SAN type 2-O* is specified both in terms of Adjacent Channel Leakage power Ratio (ACLR) and out-of-band emissions (OOBE).

Table 9.7.1-1: Void

The unwanted emission requirements are applied per cell for all the configurations. Requirements for OTA unwanted emissions are captured using TRP, or *directional requirements* as described per requirement.

For the OTA TRP measurement procedures, refer to TS 38.141-2 [18], annex I.

There is in addition a requirement for occupied bandwidth.

9.7.2 OTA occupied bandwidth

9.7.2.1 General

The OTA occupied bandwidth is the width of a frequency band such that, below the lower and above the upper frequency limits, the mean powers emitted are each equal to a specified percentage $\beta/2$ of the total mean transmitted power. See also recommendation ITU-R SM.328 [5].

The value of $\beta/2$ shall be taken as 0.5%.

The minimum requirement below may be applied regionally. There may also be regional requirements to declare the OTA occupied bandwidth according to the definition in the present clause.

The OTA occupied bandwidth is defined as a *directional requirement* and shall be met in the manufacturer's declared *OTA coverage range* at the RIB.

9.7.2.2 Minimum requirement

The minimum requirement for both *SAN type 1-O* and *SAN type 2-O* is defined in TS 38.108 [2], clause 9.7.2.2.

9.7.2.3 Test purpose

The test purpose is to verify that the emission at the *RIB* does not occupy an excessive bandwidth for the service to be provided and is, therefore, not likely to create interference to other users of the spectrum beyond undue limits.

9.7.2.4 Method of test

9.7.2.4.1 Initial conditions

Test environment: Normal, see annex B.2.

RF channels to be tested for single carrier: M; see clause 4.9.1.

Directions to be tested: OTA coverage range reference direction (D.30).

Beams to be tested: Declared beam with the highest intended EIRP for the narrowest intended beam corresponding to the smallest $BeW\theta$, or for the narrowest intended beam corresponding to the smallest $BeW\phi$ (D.3, D.11).

For SAN declared to be capable of single carrier operation, start transmission according to the applicable test configuration in clause 4.8 using the corresponding test model NR-SAN-FR1-TM1.1 for SAN type 1-O or NR-SAN-FR2-TM1.1 for SAN type 2-O in clause 4.9.2 at manufacturers declared rated carrier EIRP ($P_{rated,c,EIRP}$, D.11).

9.7.2.4.2 Procedure

- 1) Place the SAN at the positioner.
- 2) Align the manufacturer declared coordinate system orientation (D.2) of the SAN with the test system.
- 3) Orient the positioner (and SAN) in order that the direction to be tested aligns with the test antenna.
- 4) Configure the beam peak direction of the SAN according to the declared beam direction pair.
- 5) Set the SAN to transmit signal.
- 6) Measure the spectrum emission of the transmitted signal using at least the number of measurement points, and across a span, as listed in table 9.7.2.4.2-1 and 9.7.2.4.2-2. The selected resolution bandwidth (RBW) filter of the analyser shall be 30 kHz or less.

NOTE: The detection mode of the spectrum analyzer will not have any effect on the result if the statistical properties of the out-of-OBW power are the same as those of the inside-OBW power. Both are expected to have the Rayleigh distribution of the amplitude of Gaussian noise. In any case where the statistics are not the same, though, the detection mode is power responding. There are at least two ways to be power responding. The spectrum analyser can be set to "sample" detection, with its video bandwidth setting at least three times its RBW setting. Or the analyser may be set to respond to the average of the power (root-mean-square of the voltage) across the measurement cell.

Table 9.7.2.4.2-1: Span and number of measurement points for OBW measurements for FR1-NTN

Bandwidth	SAN channel bandwidth $BW_{Channel}$ (MHz)			
	5	10	15	20
Span (MHz)	10	20	30	40
Minimum number of measurement points	400	400	400	400

Table 9.7.2.4.2-2: Span and number of measurement points for OBW measurements for FR2-NTN

Bandwidth	SAN channel bandwidth $BW_{Channel}$ (MHz)			
	50	100	200	400
Span (MHz)	$2 \times BW_{Channel}$			
Minimum number of measurement points	$\left\lceil \frac{2 \times BW_{Channel}}{200kHz} \right\rceil$			

- 7) Compute the total of the EIRP, P_0 , (in power units, not decibel units) of all the measurement cells in the measurement span. Compute P_1 , the EIRP outside the occupied bandwidth on each side. P_1 is half of the total

EIRP outside the bandwidth. P1 is half of (100 % - (occupied percentage)) of P0. Measure the EIRP for any two orthogonal polarizations (denoted p1 and p2) and calculate total radiated transmit power for particular *beam direction pair* as $EIRP = EIRP_{p1} + EIRP_{p2}$.

- 8) Determine the lowest frequency, f1, for which the sum of all EIRP in the measurement cells from the beginning of the span to f1 exceeds P1.
- 9) Determine the highest frequency, f2, for which the sum of all EIRP in the measurement cells from the end of the span to f2 exceeds P1.
- 10) Compute the OTA occupied bandwidth as f2 - f1.

9.7.2.5 Test requirement

The OTA occupied bandwidth for each NR carrier shall be less than the channel bandwidth as defined in TS 38.108 [2], table 5.3.5-1.

9.7.3 OTA Adjacent Channel Leakage Power Ratio (ACLR)

9.7.3.1 Definition and applicability

OTA Adjacent Channel Leakage power Ratio (ACLR) is the ratio of the filtered mean power centred on the assigned channel frequency to the filtered mean power centred on an adjacent channel frequency. The measured power is TRP.

The requirement shall be applied per RIB.

For a *RIB* operating in multi-carrier, the OTA ACLR requirements in clause 9.7.3.2 apply to *SAN channel bandwidths* of the outermost carrier.

9.7.3.2 Minimum requirement

The minimum requirement for *SAN type 1-O* is in TS 38.108 [2], clause 9.7.3.2.

The minimum requirement for *SAN type 2-O* is in TS 38.108 [2], clause 9.7.3.3.

9.7.3.3 Test purpose

To verify that the OTA adjacent channel leakage ratio requirement shall be met as specified by the minimum requirement.

9.7.3.4 Method of test

9.7.3.4.1 Initial conditions

Test environment: normal; see annex B.2.

RF channels to be tested for single carrier: B and T; see clause 4.9.1.

SAN RF bandwidth positions to be tested for multi-carrier: B_{RFBW} and T_{RFBW} in single-band operation, see clause 4.9.1.

Directions to be tested: As the requirement is TRP the beam pattern(s) may be set up to optimise the TRP measurement procedure (see TS 38.141-2 [18], annex I) as long as the required TRP level is achieved.

9.7.3.4.2 Procedure

The following procedure for measuring TRP is based on the directional power measurements as described in TS 38.141-2 [18], annex I. An alternative method to measure TRP is to use a characterized and calibrated reverberation chamber if so follow steps 1, 3, 4, 6, 8, 9, 10, and 11.

- 1) Place the SAN at the positioner.

- 2) Align the manufacturer declared coordinate system orientation (D.2) of the SAN with the test system.
- 3) The measurement devices characteristics shall be:
 - Measurement filter bandwidth: defined in clause 9.7.3.5.
 - Detection mode: true RMS voltage or true power averaging.
 - The emission power should be averaged over an appropriate time duration to ensure the measurement is within the measurement uncertainty in table 4.1.2.2-2.
- 4) For single carrier operation, set the SAN to transmit according to the applicable test configuration in clause 4.8 using the corresponding test model(s) in clause 4.9.2 at manufacturers declared *rated carrier TRP output power* declared per RIB ($P_{\text{rated,c,TRP}}$).

For SAN declared to be capable of multi-carrier operation use the applicable test signal configuration and corresponding power setting specified in clauses 4.7.2 and 4.8 using the corresponding test model(s) in clause 4.9.2 on all carriers configured.

- 5) Orient the positioner (and SAN) in order that the direction to be tested aligns with the test antenna such that measurements to determine TRP can be performed (see TS 38.141-2 [18], annex I).
 - 6) Measure the absolute power of the assigned channel frequency and the (adjacent channel frequency).
 - 7) Repeat step 5-6 for all directions in the appropriated TRP measurement grid needed for $\text{TRP}_{\text{Estimate}}$ (see TS 38.141-2 [18], annex I).
 - 8) Calculate $\text{TRP}_{\text{Estimate}}$ for the absolute total radiated power of the wanted channel and the adjacent channel using the measurements made in Step 7.
 - 9) Calculate relative ACLR estimate.
- NOTE 1: ACLR is calculated by the ratio of the absolute TRP of the assigned channel frequency and the absolute TRP of the adjacent frequency channel.
- NOTE 2: For FR1-NTN the measurement uncertainty of the reverberation chamber for the relative ACLR is higher than the measurement uncertainty in clause 4.1.2 the test requirements in table 9.7.3.5.1-1 and 9.7.3.5.1-2 shall be tightened following the procedure in clause 4.1.3.
- 10) Measure OTA ACLR for the frequency offsets both side of channel frequency as specified in table 9.7.3.5.1-1 and 9.7.3.5.1-2 for *SAN type 1-O* or tables 9.7.3.5.2-1 and 9.7.3.5.2-2 for *SAN type 2-O* respectively. In multiple carrier case only offset frequencies below the lowest and above the highest carrier frequency used shall be
 - 11) Repeat the test with the channel set-up using NR-SAN-FR1-TM1.2 for *SAN type 1-O*.

9.7.3.5 Test requirements

9.7.3.5.1 SAN type 1-O

The OTA ACLR limit specified in table 9.7.3.5-1 for SAN GEO class and 9.7.3.5-2 for SAN LEO class shall apply.

Table 9.7.3.5.1-1: SAN type 1-O ACLR limit for GEO class

SAN channel bandwidth of lowest/highest carrier transmitted BW_{Channel} (MHz)	SAN adjacent channel centre frequency offset below the lowest or above the highest carrier centre frequency transmitted	Assumed adjacent channel carrier (informative)	Filter on the adjacent channel frequency and corresponding filter bandwidth	ACLR limit
5, 10, 15, 20	BW_{Channel}	NR of same BW (NOTE 2)	Square (BW_{Config}) (NOTE 1)	13
	$2 \times BW_{\text{Channel}}$	NR of same BW (NOTE 2)	Square (BW_{Config}) (NOTE 1)	13
NOTE 1: BW_{Channel} and BW_{Config} are the SAN channel bandwidth and transmission bandwidth configuration of the lowest/highest carrier transmitted on the assigned channel frequency.				
NOTE 2: With SCS that provides largest transmission bandwidth configuration (BW_{Config}).				

Table 9.7.3.5.1-2: SAN type 1-O ACLR limit for LEO class

SAN channel bandwidth of lowest/highest carrier transmitted BW_{Channel} (MHz)	SAN adjacent channel centre frequency offset below the lowest or above the highest carrier centre frequency transmitted	Assumed adjacent channel carrier (informative)	Filter on the adjacent channel frequency and corresponding filter bandwidth	ACLR limit
5, 10, 15, 20	BW_{Channel}	NR of same BW (NOTE 2)	Square (BW_{Config}) (NOTE 1)	23
	$2 \times BW_{\text{Channel}}$	NR of same BW (NOTE 2)	Square (BW_{Config}) (NOTE 1)	23
NOTE 1: BW_{Channel} and BW_{Config} are the SAN channel bandwidth and transmission bandwidth configuration of the lowest/highest carrier transmitted on the assigned channel frequency.				
NOTE 2: With SCS that provides largest transmission bandwidth configuration (BW_{Config}).				

9.7.3.5.2 SAN type 2-O

The OTA ACLR limit specified in table 9.7.3.5.2-1 for SAN GEO class and 9.7.3.5.2-2 for SAN LEO class shall apply.

Table 9.7.3.5.2-1: SAN type 2-O ACLR limit for GEO class

SAN channel bandwidth of lowest/highest carrier transmitted BW_{Channel} (MHz)	SAN adjacent channel centre frequency offset below the lowest or above the highest carrier centre frequency transmitted	Assumed adjacent channel carrier	Filter on the adjacent channel frequency and corresponding filter bandwidth	ACLR limit (dB)
50, 100, 200, 400	BW_{Channel}	NR of same BW (Note 2)	Square (BW_{Config})	9.7
NOTE 1: BW_{Channel} and BW_{Config} are the SAN channel bandwidth and transmission bandwidth configuration of the lowest/highest carrier transmitted on the assigned channel frequency.				
NOTE 2: With SCS that provides largest transmission bandwidth configuration (BW_{Config}).				

Table 9.7.3.5.2-2: SAN type 2-O ACLR limit for LEO class

SAN channel bandwidth of lowest/highest carrier transmitted BW_{Channel} (MHz)	SAN adjacent channel centre frequency offset below the lowest or above the highest carrier centre frequency transmitted	Assumed adjacent channel carrier	Filter on the adjacent channel frequency and corresponding filter bandwidth	ACLR limit (dB)
50, 100, 200, 400	BW_{Channel}	NR of same BW (Note 2)	Square (BW_{Config})	9.7
NOTE 1: BW_{Channel} and BW_{Config} are the SAN channel bandwidth and transmission bandwidth configuration of the lowest/highest carrier transmitted on the assigned channel frequency.				
NOTE 2: With SCS that provides largest transmission bandwidth configuration (BW_{Config}).				

9.7.4 OTA out-of-band emissions

9.7.4.1 Definition and applicability

The OTA limits for out-of-band emissions are specified as TRP per RIB unless otherwise stated.

For a RIB operating in multi-carrier, the requirements apply to SAN channel bandwidths of the outermost carrier.

9.7.4.2 Minimum requirement

The minimum requirement for SAN type 1-O is defined in TS 38.108 [2], clause 9.7.4.2.

The minimum requirement for SAN type 2-O is defined in TS 38.108 [2], clause 9.7.4.3.

9.7.4.3 Test purpose

This test measures the emissions of the SAN, close to the assigned channel bandwidth of the wanted signal, while the SAN is in operation.

9.7.4.4 Method of test

9.7.4.4.1 Initial conditions

Test environment: normal; see annex B.2.

RF channels to be tested for single carrier: B, M and T; see clause 4.9.1.

SAN RF bandwidth positions to be tested for multi-carrier: B_{RFBW} , M_{RFBW} and T_{RFBW} in single-band operation, see clause 4.9.1.

Directions to be tested: As the requirement is TRP the beam pattern(s) may be set up to optimise the TRP measurement procedure (see TS 38.141-2 [18], annex I) as long as the required TRP level is achieved.

9.7.4.4.2 Procedure

The following procedure for measuring TRP is based on the directional power measurements as described in TS 38.141-2 [18], annex I. An alternative method to measure TRP is to use a characterized and calibrated reverberation chamber if so follow steps 1, 3, 4, 6.

- 1) Place the SAN at the positioner.
- 2) Align the manufacturer declared coordinate system orientation (D.2) of the SAN with the test system.
- 3) The measurement devices characteristics shall be:

- Measurement filter bandwidth: as defined in clause 6.7.4.5.
- Detection mode: true RMS voltage or true power averaging.

As a general rule, the resolution bandwidth of the measuring equipment should be equal to the measurement bandwidth. However, to improve measurement accuracy, sensitivity, efficiency and avoiding e.g. carrier leakage, the resolution bandwidth may be smaller than the measurement bandwidth. When the resolution bandwidth is smaller than the measurement bandwidth, the result should be integrated over the measurement bandwidth in order to obtain the equivalent noise bandwidth of the measurement bandwidth.

The emission power should be averaged over an appropriate time duration to ensure the measurement is within the measurement uncertainty in table 4.1.2.2-2.

- 4) For single carrier operation, set the SAN to transmit according to the applicable test configuration in clause 4.8 using the corresponding test model(s) in clause [4.9.2] at manufacturers declared *rated carrier TRP output power* declared per RIB ($P_{\text{rated,c,TRP}}$).

For a SAN declared to be capable of multi-carrier operation, use the applicable test signal configuration and corresponding power setting specified in clause [4.7.2] and 4.8 using the corresponding test model(s) in clause 4.9.2 on all carriers configured.

- 5) Orient the positioner (and SAN) in order that the direction to be tested aligns with the test antenna such that measurements to determine TRP can be performed (see TS 38.141-2 [18], annex I).
- 6) Sweep the centre frequency of the measurement filter in contiguous steps and measure emission power within the specified frequency ranges with the specified measurement bandwidth.
- 7) Repeat step 5-6 for all directions in the appropriated TRP measurement grid needed for $\text{TRP}_{\text{Estimate}}$ (see TS 38.141-2 [18], annex I).
- 8) Calculate $\text{TRP}_{\text{Estimate}}$ using the measurements made in step 6.

9.7.4.5 Test requirements

The OTA out-of-band emissions requirement for *SAN type 1-O* shall not exceed each applicable limit in 9.7.4.2 of TS 38.108[2].

The OTA out-of-band emissions requirement for *SAN type 2-O* shall not exceed each applicable limit in 9.7.4.3 of TS 38.108 [2].

The requirements shall apply whatever the type of transmitter considered and for all transmission modes foreseen by the manufacturer's specification. For a RIB operating in multi-carrier, the requirements apply to SAN channel bandwidths of the outermost carrier for the frequency ranges defined in clause 6.6.4.1.

For a multi-carrier *single-band RIB* the definitions above apply to the lower edge of the carrier transmitted at the lowest carrier frequency and the upper edge of the carrier transmitted at the highest carrier frequency within a specified frequency band.

9.7.5 OTA transmitter spurious emissions

9.7.5.1 General

Unless otherwise stated, all requirements are measured as mean power.

The OTA transmitter spurious emission limits for FR1-NTN shall apply from 30 MHz to the 5th harmonic of the upper frequency edge of the DL operating band, excluding the *SAN transponder bandwidth* BW_{SAN} and the frequency range where the out-of-band emissions apply.

NOTE 1: The lower limit and upper limit are as per ITU-R recommendation SM.329, Table 1: For systems operating within 600 MHz and 5.2 GHz, the lower limit is 30 MHz and the upper limit is the 5th harmonic of the higher frequency.

NOTE 2: The lower limit of 30 MHz can be replaced as per ITU-R SM.329-12: Systems having an integral antenna incorporating a waveguide section, or with an antenna connection in such form, and of unperturbed length equal to at least twice the cut-off wavelength, do not require spurious domain emission measurements below 0.7 times the waveguide cut-off frequency.

The OTA transmitter spurious emission limits for FR2-NTN shall apply from 30 MHz to the 2nd harmonic of the upper frequency edge of the DL operating band, excluding the *SAN transponder bandwidth* BW_{SAN} and the frequency range where the out-of-band emissions apply.

The requirements shall apply whatever the type of transmitter considered (single carrier or multi-carrier). It applies for all transmission modes foreseen by the manufacturer's specification.

9.7.5.2 General OTA transmitter spurious emissions requirements

9.7.5.2.1 Definition and applicability

The general OTA transmitter spurious emissions requirements are specified as TRP per RIB, per cell, unless otherwise specified.

9.7.5.2.2 Minimum requirement

The minimum requirement for *SAN type 1-O* is specified in TS 38.108 [2], clause 9.7.5.2.2.

The minimum requirement for *SAN type 2-O* is specified in TS 38.108 [2], clause 9.7.5.3.2.

9.7.5.2.3 Test purpose

The test purpose is to verify if the radiated spurious emissions from the SAN at the RIB are within the specified minimum requirements.

9.7.5.2.4 Method of test

9.7.5.2.4.1 Initial conditions

Test environment: Normal; see annex B.2.

For FR1-NTN:

- B when testing from 30 MHz to the lower frequency edge of the *SAN transponder bandwidth* minus 2 times BW_{SAN}
- T when testing from the upper frequency edge of the *SAN transponder bandwidth* plus 2 times BW_{SAN} to 5th harmonic

For FR2-NTN:

- B when testing from 30 MHz to the lower frequency edge of the *SAN transponder bandwidth* minus 2 times BW_{SAN}
- T when testing from upper frequency edge of the *SAN transponder bandwidth* plus 2 times BW_{SAN} to 2nd harmonic.

RF bandwidth positions to be tested in single-band multi-carrier operation, see clause 4.9.1:

For FR1-NTN:

- B_{RFBW} when testing from 30 MHz to the lower frequency edge of the *SAN transponder bandwidth* minus 2 times BW_{SAN}
- T_{RFBW} when testing from the upper frequency edge of the *SAN transponder bandwidth* plus 2 times BW_{SAN} to 5th harmonic

For FR2-NTN:

- B_{RFBW} when testing from 30 MHz to the lower frequency edge of the *SAN transponder bandwidth* minus 2 times BW_{SAN}
- T_{RFBW} when testing from the upper frequency edge of the *SAN transponder bandwidth* plus 2 times BW_{SAN} to 2nd harmonic

Directions to be tested: As the requirement is TRP the beam pattern(s) may be set up to optimise the TRP measurement procedure (see TS 38.141-2 [18], annex I).

9.7.5.2.4.2 Procedure

The following procedure for measuring TRP is based on directional power measurements as described in TS 38.141-2 [18], annex I. An alternative method to measure TRP is to use a characterized and calibrated reverberation chamber if so follow steps 1, 3, 4, 5, 7.

- 1) Place the SAN at the positioner.
- 2) Align the manufacturer declared coordinate system orientation (D.2) of the SAN with the test system.
- 3) Measurements shall use a measurement bandwidth in accordance to the conditions in clause 9.7.5.2.5.
- 4) The measurement device characteristics shall be:
 - Detection mode: True RMS.
 - The emission power should be averaged over an appropriate time duration to ensure the measurement is within the measurement uncertainty in Table 4.1.2.2-2 for FR1-NTN and Table 4.1.2.2-3 for FR2-NTN.
- 5) Set the SAN to transmit:
 - For RIB declared to be capable of single carrier operation only, set the RIB to transmit a signal according to the applicable test configuration in clause 4.8 using the corresponding test model in clause 4.9.2 (i.e. NR-SAN-FR1-TM1.1 for *SAN type 1-O* and NR-SAN-FR2-TM1.1 for *SAN type 2-O*), at manufacturer's declared rated output power $P_{\text{rated,c,TRP}}$.
 - For a RIB declared to be capable of multi-carrier operation, set the RIB to transmit according to the corresponding test model in clause 4.9.2 on all carriers configured using the applicable test configuration and corresponding power setting specified in clause 4.7.2 and 4.8.
- 6) Orient the positioner (and SAN) in order that the direction to be tested aligns with the test antenna such that measurements to determine TRP can be performed (see TS 38.141-2 [18], annex I).
- 7) Measure the emission at the specified frequencies with specified measurement bandwidth.
- 8) Repeat step 6-7 for all directions in the appropriated TRP measurement grid needed for full TRP estimation (see TS 38.141-2 [18], annex I).

NOTE 1: The TRP measurement grid may not be the same for all measurement frequencies.

NOTE 2: The frequency sweep or the TRP measurement grid sweep may be done in any order.

- 9) Calculate TRP at each specified frequency using the directional measurements.

9.7.5.2.5 Test requirement

9.7.5.2.5.1 Test requirement for SAN type 1-O

For a *SAN type 1-O*, the TRP of any spurious emission shall not exceed the limits in table 9.7.5.2.5.1-1.

Table 9.7.5.2.5.1-1: General OTA SAN transmitter spurious emission limits for SAN type 1-O

Spurious frequency range	$P_{\text{rated,t,TRP}}$ (dBm)	Test limit (dBm)	Measurement bandwidth (kHz)	Notes
30 MHz – 5 th harmonic of the upper frequency edge of the DL operating band	≤ 47	-13	4	NOTE 1, NOTE 2, NOTE 3
	> 47	$P_{\text{rated,t,TRP}} - 60\text{dB}$		
NOTE 1: <i>Measurement bandwidths</i> as in ITU-R SM.329 [4], s4.1. NOTE 2: Upper frequency as in ITU-R SM.329 [4], s2.5 table 1. NOTE 3: The lower frequency limit is replaced by 0.7 times the waveguide cut-off frequency, according to ITU-R SM.329 [4], for systems having an integral antenna incorporating a waveguide section, or with an antenna connection in such form, and of unperturbed length equal to at least twice the cut-off.				

9.7.5.2.5.2 Test requirement for SAN type 2-O

For a SAN type 2-O, the TRP of any spurious emission shall not exceed the limits in table 9.7.5.2.5.2-1.

Table 9.7.5.2.5.2-1: General OTA SAN transmitter spurious emission limits for SAN Type 2-O

Spurious frequency range	$P_{\text{rated,t,TRP}}$ (dBm)	Test limit (dBm)	Measurement bandwidth (kHz)	Notes
30 MHz – 2 nd harmonic of the upper frequency edge of the DL operating band	≤ 47	-13	4	NOTE 1, NOTE 2, NOTE 3
	> 47	$P_{\text{rated,t,TRP}} - 60\text{dB}$		
NOTE 1: <i>Measurement bandwidths</i> as in ITU-R SM.329 [4], s4.1. NOTE 2: Upper frequency as in ITU-R SM.329 [4], s2.5 table 1. NOTE 3: The lower frequency limit is replaced by 0.7 times the waveguide cut-off frequency, according to ITU-R SM.329 [4], for systems having an integral antenna incorporating a waveguide section, or with an antenna connection in such form, and of unperturbed length equal to at least twice the cut-off.				

9.8 OTA transmitter intermodulation

The requirement is not applicable in this version of the specification.

10 Radiated receiver characteristic

10.1 General

General test conditions for receiver tests are given in clause 4, including interpretation of measurement results and configurations for testing. SAN configurations for the tests are defined in clause 4.5.

Radiated receiver characteristics are specified at RIB, with full complement of transceivers for the configuration in normal operating condition.

Unless otherwise stated, the following arrangements apply for the radiated receiver characteristics requirements in clause 10:

- Requirements shall be met for any transmitter setting.
- The requirements shall be met with the transmitter unit(s) ON.
- Throughput requirements defined for the radiated receiver characteristics do not assume HARQ retransmissions.

- When SAN is configured to receive multiple carriers, all the throughput requirements are applicable for each received carrier.
- For ACS and blocking characteristics, the negative offsets of the interfering signal apply relative to the lower *SAN RF Bandwidth* edge, and the positive offsets of the interfering signal apply relative to the upper *SAN RF Bandwidth* edge.
- Each requirement shall be met over the RoAoA specified.

NOTE 1: In normal operating condition the SAN in FDD operation is configured to transmit and receive at the same time.

For FR1-NTN requirements which are to be met over the *OTA REFSENS RoAoA* absolute requirement values are offset by the following term:

$$\Delta_{\text{OTAREFSENS}} = 44.1 - 10 \cdot \log_{10}(\text{Be}W_{\theta, \text{REFSENS}} \cdot \text{Be}W_{\phi, \text{REFSENS}}) \text{ dB for the reference direction}$$

and

$$\Delta_{\text{OTAREFSENS}} = 41.1 - 10 \cdot \log_{10}(\text{Be}W_{\theta, \text{REFSENS}} \cdot \text{Be}W_{\phi, \text{REFSENS}}) \text{ dB for all other directions}$$

For requirements which are to be met over the *minSENS RoAoA* absolute requirement values are offset by the following term:

$$\Delta_{\text{minSENS}} = P_{\text{REFSENS}} - \text{EIS}_{\text{minSENS}} \text{ (dB)}$$

For FR2-NTN requirements which are to be met over the *OTA REFSENS RoAoA* absolute requirement values are offset by the following term:

$$\Delta_{\text{FR2_REFSENS}} = -3 \text{ dB for the reference direction}$$

and

$$\Delta_{\text{FR2_REFSENS}} = 0 \text{ dB for all other directions}$$

10.2 OTA sensitivity

10.2.1 Definition and applicability

The OTA sensitivity requirement is a *directional requirement* based upon the declaration of one or more *OTA sensitivity direction declarations* (OSDD), related to a *SAN type 1-H* and *SAN type 1-O* receiver.

The *SAN type 1-H* and *SAN type 1-O* may optionally be capable of redirecting/changing the *receiver target* by means of adjusting SAN settings resulting in multiple *sensitivity RoAoA*. The *sensitivity RoAoA* resulting from the current SAN settings is the active *sensitivity RoAoA*.

If the SAN is capable of redirecting the *receiver target* related to the OSDD then the OSDD shall include:

- *SAN channel bandwidth* and declared minimum EIS level applicable to any active *sensitivity RoAoA* inside the *receiver target redirection range* in the OSDD.
- A declared *receiver target redirection range*, describing all the angles of arrival that can be addressed for the OSDD through alternative settings in the SAN.
- Five declared *sensitivity RoAoA* comprising the conformance testing directions as detailed in TR 37. 941 [13].
- The *receiver target reference direction*.

NOTE 1: Some of the declared *sensitivity RoAoA* may coincide depending on the redirection capability.

NOTE 2: In addition to the declared *sensitivity RoAoA*, several *sensitivity RoAoA* may be implicitly defined by the *receiver target redirection range* without being explicitly declared in the OSDD.

If the SAN is not capable of redirecting the *receiver target* related to the OSDD, then the OSDD includes only:

- The set(s) of RAT, *SAN channel bandwidth* and declared minimum EIS level applicable to the *sensitivity RoAoA* in the OSDD.
- One declared active *sensitivity RoAoA*.
- The *receiver target reference direction*.

NOTE 4: For SAN without target redirection capability, the declared (fixed) *sensitivity RoAoA* is always the active *sensitivity RoAoA*.

The OTA sensitivity EIS level declaration shall apply to each supported polarization, under the assumption of *polarization match*.

10.2.2 Minimum requirement

For a received signal whose AoA of the incident wave is within the active *sensitivity RoAoA* of an OSDD, the error rate criterion as described in TS 38.108 [2] clause 10.2.2 shall be met when the level of the arriving signal is equal to the minimum EIS level in the respective declared set of EIS level and *SAN channel bandwidth*.

10.2.3 Test Purpose

The test purpose is to verify that the SAN can meet the throughput requirement for a specified measurement channel at the EIS level and the range of angles of arrival declared in the OSDD.

10.2.4 Method of test

10.2.4.1 Initial conditions

Test environment: Normal, see annex B.2.

RF channels to be tested for single carrier: M; see clause 4.9.1.

Directions to be tested:

- receiver target reference direction (D.26),
- conformance test directions (D.28).

10.2.4.2 Procedure

- 1) Place the SAN with its manufacturer declared coordinate system reference point in the same place as calibrated point in the test system, as shown in annex D.4.1.
- 2) Align the manufacturer declared coordinate system orientation of the SAN with the test system.
- 3) Align the SAN with the test antenna in the declared direction to be tested.
- 4) Ensure the polarization is accounted for such that all the power from the test antenna is captured by the SAN under test.
- 5) Configure the beam peak direction for the transmitter according to the declared reference beam direction pair for the appropriate beam identifier.
- 6) For FDD operation, set the SAN to transmit beam(s) of the same operational band as the OSDD being tested according to the appropriate test configuration in clauses 4.7 and 4.8.
- 7) Start the signal generator for the wanted signal to transmit:
 - The test signal as specified in clause 10.2.5.

- 8) Set the test signal mean power so the calibrated radiated power at the SAN Antenna Array coordinate system reference point is as specified in clause 10.2.5.
- 9) Measure the throughput according to annex A.1 for each supported polarization.
- 10) Repeat steps 3 to 9 for all OSDD(s) declared for the SAN (D.19), and supported polarizations.

10.2.5 Test requirements

10.2.5.1 General

The minimum EIS level is a declared figure (D.23) for each OSDD (D.19). The test requirement is calculated from the declared value offset by the EIS Test Tolerance specified in clause 4.1.

10.2.5.2 Test requirements for SAN type 1-H and SAN type 1-O

For each measured carrier, the throughput measured in step 9 of clause 10.2.4.2 shall be $\geq 95\%$ of the maximum throughput of the reference measurement channel as specified in annex A.1 with parameters specified in table 10.2.5.2-1.

Table 10.2.5.2-1: SAN GEO and LEO class EIS levels

SAN channel bandwidth (MHz)	Sub-carrier spacing (kHz)	Reference measurement channel (NOTE)	OTA sensitivity level, EIS (dBm)
5, 10, 15	15	G-FR1-NTN-A1-1	Declared minimum EIS + 1.3
10, 15	30	G-FR1-NTN-A1-2	
10, 15	60	G-FR1-NTN-A1-3	
20	15	G-FR1-NTN-A1-4	
20	30	G-FR1-NTN-A1-5	
20	60	G-FR1-NTN-A1-6	
NOTE: EIS is the power level of a single instance of the reference measurement channel. This requirement shall be met for each consecutive application of a single instance of the reference measurement channel mapped to disjoint frequency ranges with a width corresponding to the number of resource blocks of the reference measurement channel each, except for one instance that might overlap one other instance to cover the full SAN channel bandwidth.			

10.3 OTA reference sensitivity level

10.3.1 Definition and applicability

The OTA REFSENS requirement is a *directional requirement* and is intended to ensure the minimum OTA reference sensitivity level for a declared *OTA REFSENS RoAoA*. The OTA reference sensitivity power level $EIS_{REFSENS}$ is the minimum mean power received at the RIB at which a reference performance requirement shall be met for a specified reference measurement channel.

The OTA REFSENS requirement shall apply to each supported polarization, under the assumption of *polarization match*.

10.3.2 Minimum requirement

For SAN type 1-O the minimum requirement is in TS 38.108 [2], clause 10.3.2.

For SAN type 2-O the minimum requirement is in TS 38.108 [2], clause 10.3.3.

10.3.3 Test Purpose

The test purpose is to verify that the SAN receiver can meet the throughput requirement for a specified measurement channel at the $EIS_{REFSENS}$ level and the range of angles of arrival within the *OTA REFSENS RoAoA*.

10.3.4 Method of test

10.3.4.1 Initial conditions

Test environment: Normal, see annex B.2.

RF channels to be tested for single carrier:

- B, M and T; see clause 4.9.1.

Directions to be tested:

- OTA REFSENS receiver target reference direction (D.44),
- OTA REFSENS conformance test directions (D.45)

10.3.4.2 Procedure

- 1) Place the SAN with its manufacturer declared coordinate system reference point in the same place as calibrated point in the test system, as shown in annex D.4.1.
- 2) Align the manufacturer declared coordinate system orientation of the SAN with the test system.
- 3) Align the SAN with the test antenna in the declared direction to be tested.
- 4) Ensure the polarization is accounted for such that all the power from the test antenna is captured by the SAN under test.
- 5) Configure the beam peak direction for the transmitter according to the declared reference beam direction pair for the appropriate beam identifier.
- 6) Set the SAN to transmit beam(s) of the same operational band as the *OTA REFSENS RoAoA* being tested according to the appropriate test configuration in clauses 4.7 and 4.8.
- 7) Start the signal generator for the wanted signal to transmit:
 - The test signal as specified in clause 10.3.5.
- 8) Set the test signal mean power so the calibrated radiated power at the SAN Antenna Array coordinate system reference point is as specified in clause 10.3.5.
- 9) Measure the throughput according to annex A.1 for each supported polarization.
- 10) Repeat steps 3 to 9 for all OTA REFSENS conformance test directions of the SAN (D.45) and supported polarizations.

10.3.5 Test requirements

10.3.5.1 General

The $EIS_{REFSENS}$ level is the conducted REFSENS requirement value offset by $\Delta_{OTAREFSENS}$. The test requirement is calculated from the $EIS_{REFSENS}$ level offset by the $EIS_{REFSENS}$ Test Tolerance specified in clause 4.1.

10.3.5.2 Test requirements for SAN type 1-0

For each measured carrier, the throughput measured in step 9 of clause 10.3.4.2 shall be $\geq 95\%$ of the maximum throughput of the reference measurement channel as specified in annex A.1 with parameters specified in tables 10.3.5.2-1 and 10.3.5.2-2.

Table 10.3.5-1: SAN GEO class reference sensitivity levels

SAN channel bandwidth (MHz)	Sub-carrier spacing (kHz)	Reference measurement channel	OTA reference sensitivity level, $EIS_{REFSENS}$ (dBm)
5, 10, 15	15	G-FR1-NTN-A1-1	-98.0 - $\Delta_{OTAREFSENS}$
10, 15	30	G-FR1-NTN-A1-2	-98.1 - $\Delta_{OTAREFSENS}$
10, 15	60	G-FR1-NTN-A1-3	-95.2 - $\Delta_{OTAREFSENS}$
20	15	G-FR1-NTN-A1-4	-91.6 - $\Delta_{OTAREFSENS}$
20	30	G-FR1-NTN-A1-5	-91.9 - $\Delta_{OTAREFSENS}$
20	60	G-FR1-NTN-A1-6	-92.0 - $\Delta_{OTAREFSENS}$
NOTE: $EIS_{REFSENS}$ is the power level of a single instance of the reference measurement channel. This requirement shall be met for each consecutive application of a single instance of the reference measurement channel mapped to disjoint frequency ranges with a width corresponding to the number of resource blocks of the reference measurement channel each, except for one instance that might overlap one other instance to cover the full SAN channel bandwidth.			

Table 10.3.5-2: SAN LEO class reference sensitivity levels

SAN channel bandwidth (MHz)	Sub-carrier spacing (kHz)	Reference measurement channel	OTA reference sensitivity level, $EIS_{REFSENS}$ (dBm)
5, 10, 15	15	G-FR1-NTN-A1-1	-101.1 - $\Delta_{OTAREFSENS}$
10, 15	30	G-FR1-NTN-A1-2	-101.2 - $\Delta_{OTAREFSENS}$
10, 15	60	G-FR1-NTN-A1-3	-98.3 - $\Delta_{OTAREFSENS}$
20	15	G-FR1-NTN-A1-4	-94.7 - $\Delta_{OTAREFSENS}$
20	30	G-FR1-NTN-A1-5	-95.0 - $\Delta_{OTAREFSENS}$
20	60	G-FR1-NTN-A1-6	-95.1 - $\Delta_{OTAREFSENS}$
NOTE: $EIS_{REFSENS}$ is the power level of a single instance of the reference measurement channel. This requirement shall be met for each consecutive application of a single instance of the reference measurement channel mapped to disjoint frequency ranges with a width corresponding to the number of resource blocks of the reference measurement channel each, except for one instance that might overlap one other instance to cover the full SAN channel bandwidth.			

10.3.5.3 Test requirements for SAN type 2-0

The throughput shall be $\geq 95\%$ of the maximum throughput of the reference measurement channel as specified in the corresponding table and annex A.1 when the OTA test signal is at the corresponding $EIS_{REFSENS}$ level and arrives from any direction within the *OTA REFSENS RoAoA*.

$EIS_{REFSENS}$ levels are derived from a single declared basis level $EIS_{REFSENS_50M}$, which is based on a reference measurement channel with 50 MHz SAN channel bandwidth. $EIS_{REFSENS_50M}$ itself is not a requirement and although it is based on a reference measurement channel with 50 MHz SAN channel bandwidth it does not imply that SAN has to support 50 MHz SAN channel bandwidth.

For GEO class SAN, $EIS_{REFSENS_50M}$ is an integer value in the range [-140] to [-149] dBm. The specific value is declared by the manufacturer.

For LEO class SAN, $EIS_{REFSENS_50M}$ is an integer value in the range [-120] to [-129] dBm. The specific value is declared by the manufacturer.

Table 10.3.5.3-1: FR2-NTN OTA reference sensitivity requirement

SAN channel bandwidth (MHz)	Sub-carrier spacing (kHz)	Reference measurement channel	OTA reference sensitivity level, $EIS_{REFSENS}$ (dBm)
50, 100, 200	60	G-FR2-NTN-A1-1	$EIS_{REFSENS_50M} + 2.4 + \Delta_{FR2_REFSENS}$
50	120	G-FR2-NTN-A1-2	$EIS_{REFSENS_50M} + 2.4 + \Delta_{FR2_REFSENS}$
100, 200, 400	120	G-FR2-NTN-A1-3	$EIS_{REFSENS_50M} + 3 + 2.4 + \Delta_{FR2_REFSENS}$
NOTE 1: $EIS_{REFSENS}$ is the power level of a single instance of the reference measurement channel. This requirement shall be met for each consecutive application of a single instance of the reference measurement channel mapped to disjoint frequency ranges with a width corresponding to the number of resource blocks of the reference measurement channel each, except for one instance that might overlap one other instance to cover the full SAN channel bandwidth.			
NOTE 2: The declared $EIS_{REFSENS_50M}$ shall be within the range specified above.			

10.4 OTA dynamic range

10.4.1 Definition and applicability

The OTA dynamic range is a measure of the capability of the receiver unit to receive a wanted signal in the presence of an interfering signal inside the received SAN channel bandwidth.

The requirement shall apply at the RIB when the AoA of the incident wave of a received signal and the interfering signal are from the same direction and are within the OTA REFSENS RoAoA.

The wanted and interfering signals apply to each supported polarization, under the assumption of polarization match.

10.4.2 Minimum requirement

For SAN type I-O, the minimum requirement is in TS 38.108 [2], clause 10.4.2.

10.4.3 Test purpose

The test purpose is to verify that at the SAN receiver dynamic range, the relative throughput shall fulfil the specified limit.

10.4.4 Method of test

10.4.4.1 Initial conditions

Test environment: Normal: see annex B.2.

RF channels to be tested for single carrier: M; see clause 4.9.1.

Directions to be tested: OTA REFSENS receiver target reference direction (D.44).

10.4.4.2 Procedure

- 1) Place the SAN with its manufacturer declared coordinate system reference point in the same place as calibrated point in the test system, as shown in annex D.4.2.
- 2) Align the manufacturer declared coordinate system orientation of the SAN with the test system.

- 3) Align the SAN with the test antenna in the declared direction to be tested.
- 4) Ensure the polarization is accounted for such that all the power from the test antenna is captured by the SAN under test.
- 5) Configure the beam peak direction for the transmitter according to the declared reference beam direction pair for the appropriate beam identifier.
- 6) For FDD operation, set the SAN to transmit beam(s) of the same operational band as the *OTA REFSENS RoAoA* being tested according to the appropriate test configuration in clauses 4.7 and 4.8.
- 7) Set the test signal mean power so that the calibrated radiated power at the SAN Antenna Array coordinate system reference point is as follows:
 - a) Set the signal generator for the wanted signal to transmit as specified in table 10.4.5.2-1.
 - b) Set the signal generator for the AWGN interfering signal at the same frequency as the wanted signal to transmit as specified in table 10.4.5.2-1.
- 8) Measure the throughput according to annex A.2 for each supported polarization.

10.4.5 Test requirement

10.4.5.1 General

The test requirement is calculated from the OTA wanted signal mean power level offset by the OTA dynamic range Test Tolerance specified in clause 4.1.

10.4.5.2 Test requirements for *SAN type 1-0*

For each measured carrier, the throughput measured in step 6 of clause 10.4.4.2 shall be ≥ 95 % of the maximum throughput of the reference measurement channel as specified in annex A.2 with parameters specified in tables 10.4.5.2-1.

Table 10.4.5.2-1: SAN LEO class dynamic range

SAN channel bandwidth (MHz)	Subcarrier spacing (kHz)	Reference measurement channel	Wanted signal mean power (dBm)	Interfering signal mean power (dBm) / BW _{Config}	Type of interfering signal
5	15	G-FR1-NTN-A2-1	-76.1 - $\Delta_{OTAREFSENS}$	-88.2 - $\Delta_{OTAREFSENS}$	AWGN
	30	G-FR1-NTN-A2-2	-76.8 - $\Delta_{OTAREFSENS}$		
10	15	G-FR1-NTN-A2-1	-76.1 - $\Delta_{OTAREFSENS}$	-85.0 - $\Delta_{OTAREFSENS}$	AWGN
	30	G-FR1-NTN-A2-2	-76.8 - $\Delta_{OTAREFSENS}$		
	60	G-FR1-NTN-A2-3	-73.8 - $\Delta_{OTAREFSENS}$		
15	15	G-FR1-NTN-A2-1	-76.1 - $\Delta_{OTAREFSENS}$	-83.2 - $\Delta_{OTAREFSENS}$	AWGN
	30	G-FR1-NTN-A2-2	-76.8 - $\Delta_{OTAREFSENS}$		
	60	G-FR1-NTN-A2-3	-73.8 - $\Delta_{OTAREFSENS}$		
20	15	G-FR1-NTN-A2-4	-69.9 - $\Delta_{OTAREFSENS}$	-81.9 - $\Delta_{OTAREFSENS}$	AWGN
	30	G-FR1-NTN-A2-5	-69.9 - $\Delta_{OTAREFSENS}$		
	60	G-FR1-NTN-A2-6	-70.2 - $\Delta_{OTAREFSENS}$		
<p>NOTE: The wanted signal mean power is the power level of a single instance of the corresponding reference measurement channel. This requirement shall be met for each consecutive application of a single instance of the reference measurement channel mapped to disjoint frequency ranges with a width corresponding to the number of resource blocks of the reference measurement channel each, except for one instance that might overlap one other instance to cover the full SAN channel bandwidth.</p>					

10.5 OTA in-band selectivity and blocking

10.5.1 OTA adjacent channel selectivity

10.5.1.1 Definition and applicability

OTA Adjacent channel selectivity (ACS) is a measure of the receiver's ability to receive an OTA wanted signal at its assigned channel frequency in the presence of an OTA adjacent channel signal with a specified centre frequency offset of the interfering signal to the band edge of a victim system. The wanted and interfering signals apply to each supported polarization, under the assumption of polarization match.

10.5.1.2 Minimum requirement

For SAN type 1-O, the minimum requirement is in TS 38.108 [2], clause 10.5.1.2.

For SAN type 2-O, the minimum requirement is in TS 38.108 [2], clause 10.5.1.3.

10.5.1.3 Test purpose

The test purpose is to verify the ability of the SAN receiver filter to suppress interfering signals in the channels adjacent to the wanted channel.

10.5.1.4 Method of test

10.5.1.4.1 Initial conditions

Test environment: Normal, see annex B.2.

RF channels to be tested for single carrier:

- M; see clause 4.9.1.

SAN RF Bandwidth edge position to be tested for multi-carrier :

- M_{RFBW} in single-band operation, see clause 4.9.1;

Directions to be tested:

- For SAN type 1-O, receiver target reference direction (D.26),
- For SAN type 2-O, OTA REFSENS receiver target reference direction (D.44),

10.5.1.4.2 Procedure

- 1) Place the SAN with its manufacturer declared coordinate system reference point in the same place as calibrated point in the test system, as shown in annex D.4.2.
- 2) Align the manufacturer declared coordinate system orientation of the SAN with the test system.
- 3) Align the SAN with the test antenna in the declared direction to be tested.
- 4) Align the SAN so that the wanted signal and interferer signal is *polarization matched* with the test antenna(s).
- 5) Configure the beam peak direction for the transmitter according to the declared reference beam direction pair for the appropriate beam identifier.
- 6) For FDD operation, set the SAN to transmit beam(s) of the same operational band as the OSDD or OTA *REFSENS RoAoA* being tested according to the appropriate test configuration in clauses 4.7 and 4.8.
- 7) Set the test signal mean power so that the calibrated radiated power at the SAN Antenna Array coordinate system reference point is as follows:
 - a) Set the signal generator for the wanted signal to transmit as specified in table 10.5.1.5.2-1 for *SAN type 1-O* and table 10.5.1.5.3-1 for *SAN type 2-O*.
 - b) Set the signal generator for the interfering signal at the adjacent channel frequency of the wanted signal to transmit as specified in table 10.5.1.5.2-1 for *SAN type 1-O* and table 10.5.1.5.3-1 for *SAN type 2-O*.
- 8) Measure throughput according to annex A.1 for each supported polarization, for multi-carrier operation the throughput shall be measured for relevant carriers specified by the test configuration specified in clauses 4.7.2 and 4.8.

10.5.1.5 Test requirement

10.5.1.5.1 General

The test requirement is calculated from the OTA wanted signal mean power level offset by the OTA ACS Test Tolerance specified in clause 4.1.

10.5.1.5.2 Test requirements for *SAN type 1-O*

The requirement shall apply at the RIB when the AoA of the incident wave of a received signal and the interfering signal are from the same direction, and the AoA of the incident wave of a received signal and the interfering signal are within the *minSENS RoAoA*.

The wanted and interfering signals apply to each supported polarization, under the assumption of *polarization match*.

The throughput shall be $\geq 95\%$ of the maximum throughput of the reference measurement channel.

For FR1, the OTA wanted and the interfering signal are specified in table 10.5.1.5.2-1 and table 10.5.1.5.2-2 for ACS. The reference measurement channel for the OTA wanted signal is identified in clause 10.5.1.2 and is further specified in annex A.1. The characteristics of the interfering signal is further specified in TS 38.108 [2] annex C.

The OTA ACS requirement is applicable outside the SAN RF Bandwidth or Radio Bandwidth. The OTA interfering signal offset is defined relative to the SAN RF Bandwidth edges or Radio Bandwidth edges.

Table 10.5.1.5.2-1: OTA ACS requirement for SAN type 1-O

SAN channel bandwidth of the lowest/highest carrier received (MHz)	Wanted signal mean power (dBm) (NOTE 2)	Interfering signal mean power (dBm)
5, 10, 15, 20 (NOTE 1)	$EIS_{\min\text{SENS}} + 6 \text{ dB}$	LEO SAN class: $-60 - \Delta_{\min\text{SENS}}$ GEO SAN class: $-57 - \Delta_{\min\text{SENS}}$
NOTE 1: The SCS for the <i>lowest/highest carrier</i> received is the lowest SCS supported by the SAN for that bandwidth		
NOTE 2: $EIS_{\min\text{SENS}}$ depends on the <i>SAN channel bandwidth</i>		

Table 10.5.1.5.2-2: OTA ACS interferer frequency offset for SAN type 1-O

SAN channel bandwidth of the lowest/highest carrier received (MHz)	Interfering signal centre frequency offset from the lower/upper Base Station RF Bandwidth edge or sub-block edge inside a sub-block gap (MHz)	Type of interfering signal
5	± 2.5025	5 MHz CP-OFDM NR signal, 15 kHz SCS, 25 RBs
10	± 2.5075	
15	± 2.5125	
20	± 2.5025	

10.5.1.5.3 Test requirements for SAN type 2-O

The requirement shall apply at the RIB when the AoA of the incident wave of a received signal and the interfering signal are from the same direction and are within the *OTA REFSENS RoAoA*.

The wanted and interfering signals apply to each supported polarization, under the assumption of *polarization match*.

The throughput shall be $\geq 95\%$ of the maximum throughput of the reference measurement channel.

For FR2-NTN, the OTA wanted and the interfering signal are specified in table 10.5.1.5.3-1 and table 10.5.1.5.3-2 for OTA ACS. The reference measurement channel for the OTA wanted signal is further specified in annex A.1. The characteristics of the interfering signal is further specified in annex D.

The OTA ACS requirement is applicable outside the *SAN RF Bandwidth*. The OTA interfering signal offset is defined relative to the *SAN RF Bandwidth edges*.

For RIBs supporting operation in *non-contiguous spectrum* within any *operating band*, the OTA ACS requirement shall apply in addition inside any *sub-block gap*, in case the *sub-block gap* size is at least as wide as the NR interfering signal in table 10.5.1.5.3-2. The OTA interfering signal offset is defined relative to the *sub-block edges* inside the *sub-block gap*.

Table 10.5.1.5.3-1: OTA ACS requirement for SAN type 2-O

SAN channel bandwidth of the lowest/highest carrier received (MHz)	Wanted signal mean power (dBm)	Interfering signal mean power (dBm)
50, 100, 200, 400	$EIS_{\text{REFSENS}} + 6 \text{ dB}$ (Note 3)	SAN LEO class, $EIS_{\text{REFSENS}_50\text{M}} + 27.7 + \Delta_{\text{FR2_REFSENS}}$ SAN GEO class, $EIS_{\text{REFSENS}_50\text{M}} + 21.7 + \Delta_{\text{FR2_REFSENS}}$
NOTE 3: EIS_{REFSENS} is given in TS38.108 [2], clause 10.3.3		

Table 10.5.1.5.3-2: OTA ACS interferer frequency offset for SAN type 2-O

<i>SAN channel bandwidth of the lowest/highest carrier received (MHz)</i>	<i>Interfering signal centre frequency offset from the lower/upper SAN RF Bandwidth edge or sub-block edge inside a sub-block gap (MHz)</i>	<i>Type of interfering signal</i>
50	±24.29	50 MHz DFT-s-OFDM NR signal, 60 kHz SCS, 64 RBs
100	±24.31	
200	±24.29	
400	±24.31	

10.5.2 OTA in-band blocking

The requirement is not applicable in this version of the specification.

10.6 OTA out-of-band blocking

10.6.1 Definition and applicability

The OTA out-of-band blocking characteristics are a measure of the receiver unit ability to receive a wanted signal at the *RIB* at its assigned channel in the presence of an unwanted interferer.

For the general OTA out-of-band blocking the requirement applies to the wanted signal for each supported polarization, under the assumption of *polarization match*. The interferer shall be polarization matched for in-band frequencies and the polarization maintained for out-of-band frequencies.

10.6.2 Minimum requirement

The minimum requirement for *SAN type 1-O* is defined in TS 38.108 [2], clause 10.6.2.

The minimum requirement for *SAN type 2-O* is defined in TS 38.108 [2], clause 10.6.3.

10.6.3 Test purpose

The test stresses the ability of the receiver unit associated with the *RIB* under test to withstand high-level interference from unwanted signals at specified frequency bands, without undue degradation of its sensitivity.

10.6.4 Method of test

10.6.4.1 Initial conditions

Test environment: Normal; see annex B.2.

RF channels to be tested for single carrier (SC): M; see clause 4.9.1.

SAN RF bandwidth positions to be tested for multi-carrier (MC): M_{RFBW} in *single-band RIB*, see clause 4.9.1.

Directions to be tested:

- For *SAN type 1-O*, receiver target reference direction (D.26).
- For *SAN type 2-O*, OTA REFSENS receiver target reference direction (D.44).

10.6.4.2 Procedure

- 1) Place SAN and the test antenna(s) according to annex D.4.3.
- 2) Align the SAN and test antenna(s) according to the directions to be tested.
- 3) Connect test antenna(s) to the measurement equipment as shown in annex D.4.3.
- 4) The test antenna(s) shall be dual (or single) polarized covering the same frequency ranges as the SAN and the blocking frequencies. If the test antenna does not cover both the wanted and interfering signal frequencies, separate test antennas for the wanted and interfering signal are required.
- 5) The OTA blocking interferer is injected into the test antenna, with the blocking interferer producing specified interferer field strength level for each supported polarization. The interferer shall be *polarization matched* in-band and the polarization maintained for out-of-band frequencies.
- 6) Generate the wanted signal in receiver target reference direction, according to the applicable test configuration (see clause 4.8) using applicable reference measurement channel to the RIB, according to annex A.1.
- 7) For FDD operation, configure the beam peak direction for the transmitter units associated with the RIB under test according to the declared reference beam direction pair for the appropriate beam identifier with the carrier set-up and power allocation according to the applicable test configuration(s) (see clause 4.8). The transmitter may be turned OFF for the out-of-band blocker tests when the frequency of the blocker is such that no IM2 or IM3 products fall inside the bandwidth of the wanted signal.
- 8) Adjust the signal generators to the type of interfering signals, levels and the frequency offsets as specified for general test requirements in table 10.6.5-1. The distance between the test object and test antenna injecting the interferer signal is adjusted when necessary to ensure specified interferer signal level to be received.
- 9) The CW interfering signal shall be swept with a step size of 1 MHz within the frequency range specified in clause 10.6.5.
- 10) Measure the performance of the wanted signal at the receiver unit associated with the RIB, as defined in the clause 10.6.5, for the relevant carriers specified by the test configuration in clause 4.7 and 4.8.
- 11) Repeat for all supported polarizations.

10.6.5 Test requirements for SAN type 1-O

The requirement shall apply at the RIB when the AoA of the incident wave of the received signal and the interfering signal are from the same direction and are within the *minSENS RoAoA*.

The wanted signal applies to each supported polarization, under the assumption of *polarization match*.

For OTA wanted and OTA interfering signals provided at the RIB using the parameters in table 10.6.5-1, the following requirements shall be met:

- The throughput shall be $\geq 95\%$ of the maximum throughput of the reference measurement channel. The reference measurement channel for the OTA wanted signal is identified in clause 10.3.2 for each *SAN channel bandwidth* and further specified in annex A.1.

For *SAN type 1-O* the OTA out-of-band blocking requirement apply from 30 MHz to $F_{UL,low} - \Delta f_{OOB}$ and from $F_{UL,high} + \Delta f_{OOB}$ up to 12750 MHz, including the downlink frequency range of the *SAN operating band*. The Δf_{OOB} for *SAN type 1-O* is defined in table 10.6.5-2.

Table 10.6.5-1: OTA out-of-band blocking performance requirement

Wanted signal mean power (dBm)	Interfering signal RMS field-strength (V/m)	Type of interfering signal
EIS _{minSENS} + 6 dB (NOTE 1)	0.0029 (NOTE 2)	CW carrier
NOTE 1: EIS _{minSENS} depends on the <i>channel bandwidth</i> as specified in clause 10.2. NOTE 2: The RMS field-strength level in V/m is related to the interferer EIRP level at a distance described as $E = \frac{\sqrt{30EIRP}}{r}$, where EIRP is in W and r is in m.		

Table 10.6.5-2: Δf_{OOB} offset for satellite operating bands

SAN type	Operating band characteristics	Δf_{OOB} (MHz)
SAN type 1-O	$F_{\text{UL,high}} - F_{\text{UL,low}} < 100$ MHz	20

10.6.6 Test requirements for SAN type 2-O

The requirement shall apply at the RIB when the AoA of the incident wave of the received signal and the interfering signal are from the same direction and are within the *OTA REFSENS RoAoA*.

The wanted signal applies to each supported polarization, under the assumption of *polarization match*. The interferer shall be *polarization matched* in-band and the polarization maintained for out-of-band frequencies.

For *SAN type 2-O* the OTA out-of-band blocking requirement apply from 30 MHz to $F_{\text{UL,low}} - [1500]$ MHz and from $F_{\text{UL,high}} + [1500]$ MHz up to 2nd harmonic of the upper frequency edge of the *operating band*.

For OTA wanted and OTA interfering signals provided at the RIB using the parameters in table 10.6.6-1, the following requirements shall be met:

- The throughput shall be $\geq 95\%$ of the maximum throughput of the reference measurement channel. The reference measurement channel for the OTA wanted signal is identified in clause 10.3.3 for each *SAN channel bandwidth* and further specified in annex A.1.

Table 10.6.6-1: OTA out-of-band blocking performance requirement

Frequency range of interfering signal (MHz)	Wanted signal mean power (dBm)	Interferer RMS field-strength (V/m)	Type of interfering signal
30 to 12750	EIS _{REFSENS} + 6 dB	[0.0029]	CW
12750 to $F_{\text{UL,low}} - [1500]$	EIS _{REFSENS} + 6 dB	[0.0029]	CW
$F_{\text{UL,high}} + 1500$ to 2 nd harmonic of the upper frequency edge of the <i>operating band</i>	EIS _{REFSENS} + 6 dB	[0.0029]	CW

10.7 OTA receiver spurious emissions

The requirement is not applicable in this version of the specification.

10.8 OTA receiver intermodulation

The requirement is not applicable in this version of the specification.

10.9 OTA in-channel selectivity

10.9.1 Definition and applicability

In-channel selectivity (ICS) is a measure of the receiver ability to receive a wanted signal at its assigned resource block locations in the presence of an interfering signal received at a larger power spectral density. In this condition a throughput requirement shall be met for a specified reference measurement channel. The interfering signal shall be an NR signal as specified in annex E and shall be time aligned with the wanted signal.

10.9.2 Minimum requirement

The minimum requirement for *SAN type 1-O* is in TS 38.108 [2], clause 10.9.2.

The minimum requirement for *SAN type 2-O* is in TS 38.108 [2], clause 10.9.3.

10.9.3 Test purpose

The purpose of this test is to verify the SAN receiver ability to suppress the IQ leakage.

10.9.4 Method of test

10.9.4.1 Initial conditions

Test environment: Normal, see annex B.2.

RF channels to be tested for single carrier:M; see clause 4.9.1.

Directions to be tested:

- For SAN type 1-O, receiver target reference direction (D.26),
- For SAN type 2-O, OTA REFSENS receiver target reference direction (D.44).

10.9.4.2 Procedure

- 1) Place the SAN with its manufacturer declared coordinate system reference point in the same place as calibrated point in the test system, as shown in annex D.4.2.
- 2) Align the manufacturer declared coordinate system orientation of the SAN with the test system.
- 3) Align the SAN with the test antenna in the declared direction to be tested.
- 4) Align the SAN to that the wanted signal and interferer signal is *polarization matched* with the test antenna(s).
- 5) Configure the beam peak direction for the transmitter according to the declared reference beam direction pair for the appropriate beam identifier.
- 6) For FDD operation, set the SAN to transmit beam(s) of the same operational band as the *OTA REFSENS RoAoA* or OSDD being tested according to the appropriate test configuration in clauses 4.7 and 4.8.
- 7) Set the test signal mean power so the calibrated radiated power at the SAN Antenna Array coordinate system reference point is as specified as follows:
 - a) Adjust the signal generator for the wanted signal as specified in:

For *SAN type 1-O*, table 10.9.5.1-1 for SAN GEO class, in table 10.9.5.1-2 for SAN LEO class on one side of the F_c .

For *SAN type 2-O*, table 10.9.5.2-1 on one side of the F_c .
 - b) Adjust the signal generator for the interfering signal as specified in:

For *SAN type 1-O*, table 10.9.5.1-1 for SAN GEO class, in table 10.9.5.1-2 for SAN LEO class at opposite side of the F_c and adjacent to the wanted signal.

For *SAN type 2-O*, table 10.9.5.2-1 at opposite side of the F_c and adjacent to the wanted signal.

- 8) Measure throughput according to annex A.1 for each supported polarization.
- 9) Repeat the measurement with the wanted signal on the other side of the F_c , and the interfering signal at opposite side of the F_c and adjacent to the wanted signal.
- 10) Repeat for all the specified measurement directions and supported polarizations.

10.9.5 Test requirement

10.9.5.1 *SAN type 1-O*

The requirement shall apply at the RIB when the AoA of the incident wave of the received signal and the interfering signal are the same direction and are within the *minSENS RoAoA*

The wanted and interfering signals applies to each supported polarization, under the assumption of *polarization match*.

For a wanted and an interfering signal coupled to the RIB, the following requirements shall be met:

- For *SAN type 1-O*, the throughput shall be $\geq 95\%$ of the maximum throughput of the reference measurement channel as specified in annex A.1 with parameters specified in table 10.9.5.1-1 for SAN GEO class, in table 10.9.5.1-2 for SAN LEO class.

Table 10.9.5.1-1: SAN GEO class ICS requirement

SAN channel bandwidth (MHz)	Subcarrier spacing (kHz)	Reference measurement channel	Wanted signal mean power (dBm)	Interfering signal mean power (dBm)	Type of interfering signal
5	15	G-FR1-A1-7	-96.5 - Δ_{minSENS}	-92.0 - Δ_{minSENS}	DFT-s-OFDM NR signal, 15 kHz SCS, 10 RBs
10,15,20	15	G-FR1-A1-1	-94.6 - Δ_{minSENS}	-88.1 - Δ_{minSENS}	DFT-s-OFDM NR signal, 15 kHz SCS, 25 RBs
5	30	G-FR1-A1-8	-97.2 - Δ_{minSENS}	-92.0 - Δ_{minSENS}	DFT-s-OFDM NR signal, 30 kHz SCS, 5 RBs
10,15,20	30	G-FR1-A1-2	-94.7 - Δ_{minSENS}	-89.0 - Δ_{minSENS}	DFT-s-OFDM NR signal, 30 kHz SCS, 10 RBs
10,15,20	60	G-FR1-A1-9	-94.1 - Δ_{minSENS}	-89.0 - Δ_{minSENS}	DFT-s-OFDM NR signal, 60 kHz SCS, 5 RBs
NOTE:	Wanted and interfering signal are placed adjacently around F_c , where the F_c is defined for <i>SAN channel bandwidth</i> of the wanted signal according to the table 5.4.2.2-1. The aggregated wanted and interferer signal shall be centred in the <i>SAN channel bandwidth</i> of the wanted signal.				

Table 10.9.5.1-2: SAN LEO class ICS requirement

SAN channel bandwidth (MHz)	Subcarrier spacing (kHz)	Reference measurement channel	Wanted signal mean power (dBm)	Interfering signal mean power (dBm)	Type of interfering signal
5	15	G-FR1-A1-7	-99.6 - Δ_{minSENS}	-83.1 - Δ_{minSENS}	DFT-s-OFDM NR signal, 15 kHz SCS, 10 RBs
10,15,20	15	G-FR1-A1-1	-97.7 - Δ_{minSENS}	-79.2 - Δ_{minSENS}	DFT-s-OFDM NR signal, 15 kHz SCS, 25 RBs
5	30	G-FR1-A1-8	-100.3 - Δ_{minSENS}	-83.1 - Δ_{minSENS}	DFT-s-OFDM NR signal, 30 kHz SCS, 5 RBs
10,15,20	30	G-FR1-A1-2	-97.8 - Δ_{minSENS}	-80.1 - Δ_{minSENS}	DFT-s-OFDM NR signal, 30 kHz SCS, 10 RBs
10,15,20	60	G-FR1-A1-9	-97.2 - Δ_{minSENS}	-80.1 - Δ_{minSENS}	DFT-s-OFDM NR signal, 60 kHz SCS, 5 RBs
NOTE: Wanted and interfering signal are placed adjacently around F_c , where the F_c is defined for SAN channel bandwidth of the wanted signal according to the table 5.4.2.2-1. The aggregated wanted and interferer signal shall be centred in the SAN channel bandwidth of the wanted signal.					

10.9.5.2 SAN type 2-O

The requirement shall apply at the RIB when the AoA of the incident wave of the received signal and the interfering signal are from the same direction and are within the *OTA REFSENS RoAoA*.

The wanted and interfering signals applies to each supported polarization, under the assumption of *polarization match*.

For SAN type 2-O, the throughput shall be $\geq 95\%$ of the maximum throughput of the reference measurement channel as specified in annex A.1 with parameters specified in table 10.9.5.2-1.

Table 10.9.5.2-1: OTA in-channel selectivity requirement for SAN type 2-O

SAN channel bandwidth (MHz)	Subcarrier spacing (kHz)	Reference measurement channel	Wanted signal mean power (dBm) (Note 2)	Interfering signal mean power (dBm) (Note 2)	Type of interfering signal
50	60	G-FR2-NTN-A1-4	$EIS_{\text{REFSENS}_50\text{M}} + \Delta_{\text{FR2_REFSENS}}$	$EIS_{\text{REFSENS}_50\text{M}} + 10 + \Delta_{\text{FR2_REFSENS}}$	DFT-s-OFDM NR signal, 60 kHz SCS, 32 RB
100,200	60	G-FR2-NTN-A1-1	$EIS_{\text{REFSENS}_50\text{M}} + 3 + \Delta_{\text{FR2_REFSENS}}$	$EIS_{\text{REFSENS}_50\text{M}} + 13 + \Delta_{\text{FR2_REFSENS}}$	DFT-s-OFDM NR signal, 60 kHz SCS, 64 RB
50	120	G-FR2-NTN-A1-5	$EIS_{\text{REFSENS}_50\text{M}} + \Delta_{\text{FR2_REFSENS}}$	$EIS_{\text{REFSENS}_50\text{M}} + 10 + \Delta_{\text{FR2_REFSENS}}$	DFT-s-OFDM NR signal, 120 kHz SCS, 16 RB
100,200,400	120	G-FR2-NTN-A1-2	$EIS_{\text{REFSENS}_50\text{M}} + 3 + \Delta_{\text{FR2_REFSENS}}$	$EIS_{\text{REFSENS}_50\text{M}} + 13 + \Delta_{\text{FR2_REFSENS}}$	DFT-s-OFDM NR signal, 120 kHz SCS, 32 RB
NOTE 1: Wanted and interfering signal are placed adjacently around F_c , where the F_c is defined for SAN channel bandwidth of the wanted signal according to the table 5.4.2.2-1. The aggregated wanted and interferer signal shall be centred in the SAN channel bandwidth of the wanted signal.					
NOTE 2: $EIS_{\text{REFSENS}_50\text{M}}$ is defined in TS38.108 [2], clause 10.3.3.					

11 Radiated performance requirements

11.1 General

11.1.1 Scope and definitions

Radiated performance requirements specify the ability of the *SAN type 1-O* or *SAN type 2-O* to correctly transmit and receive radiated signals in various conditions and configurations. Radiated performance requirements are specified at the RIB.

Radiated performance requirements for the SAN are specified for the fixed reference channels defined in TS 38.108 [2] annex A and for the propagation conditions defined in Recommendation ITU-R P.618 (*Propagation data and prediction methods required for the design of Earth-space telecommunication systems*). The requirements only apply to those FRCs that are supported by the SAN.

The radiated performance requirements for *SAN type 1-O* and for *SAN type 2-O* are limited to two OTA *demodulation branches* as described in clause 11.1.2. Conformance requirements can only be tested for 1 or 2 *demodulation branches* depending on the number of polarizations supported by the SAN, with the required SNR applied separately per polarization.

Unless stated otherwise, radiated performance requirements apply for a single carrier only. Radiated performance requirements for a SAN supporting carrier aggregation are defined in terms of single carrier requirements.

For *SAN type 1-O* in FDD operation the requirements in clause 8 shall be met with the transmitter units associated with the RIB in the *operating band* turned ON.

NOTE 1: *SAN type 1-O* in normal operating conditions in FDD operation is configured to transmit and receive at the same time. The transmitter unit(s) associated with the RIB may be OFF for some of the tests.

In tests performed with signal generators a synchronization signal may be provided from the SAN to the signal generator, to enable correct timing of the wanted signal.

Whenever the "RX antennas" term is used for the radiated performance requirements description, it shall refer to the *demodulation branches* (i.e. not physical antennas of the antenna array).

The SNR used in this clause is specified based on a single carrier and defined as:

$$\text{SNR} = S / N$$

Where:

S is the total signal power in a slot on a RIB.

N is the noise density integrated in a bandwidth corresponding to the *transmission bandwidth* over the duration where signal energy exists on a RIB.

11.1.2 OTA demodulation branches

Radiated performance requirements are only specified for up to 2 *demodulation branches*.

If the *SAN type 1-O* or the *SAN type 2-O* uses polarization diversity and has the ability to maintain isolation between the signals for each of the *demodulation branches*, then radiated performance requirements can be tested for up to two *demodulation branches* (i.e. 1RX or 2RX test setups). When tested for two *demodulation branches*, each demodulation branch maps to one polarization.

If the *SAN type 1-O* or the *SAN type 2-O* does not use polarization diversity then radiated performance requirements can only be tested for a single *demodulation branch* (i.e. 1RX test setup).

11.1.3 Applicability rule

11.1.3.1 General

Unless otherwise stated, for a SAN declared to support more than 2 demodulation branches (for *SAN type 1-O* and *SAN type 2-O*), the performance requirement tests for 2 demodulation branches shall apply, and the mapping between connectors and demodulation branches is up to SAN implementation.

The tests requiring more than [20] dB SNR level are set to N/A in the test requirements.

11.1.3.2 Applicability of PUSCH performance requirements

11.1.3.2.1 Applicability of requirements for different subcarrier spacings

Unless otherwise stated, PUSCH requirement tests shall apply only for each subcarrier spacing declared to be supported (see D.7 in table 4.6-1).

11.1.3.2.2 Applicability of requirements for different channel bandwidths

For each subcarrier spacing declared to be supported, the test requirements for a specific channel bandwidth shall apply only if the SAN supports it (see D.7 in table 4.6-1).

Unless otherwise stated, for each subcarrier spacing declared to be supported, the tests shall be done only for the widest supported channel bandwidth. If performance requirement is not specified for this widest supported channel bandwidth, the tests shall be done by using performance requirement for the closest channel bandwidth lower than this widest supported bandwidth; the tested PRBs shall then be centered in this widest supported channel bandwidth.

11.1.3.2.3 Applicability of requirements for different configurations

Unless otherwise stated, for *SAN type 1-O*, PUSCH requirement tests shall apply only for the mapping type declared to be supported (see D.100 in table 4.6-1). If both mapping type A and type B are declared to be supported, the tests shall be done for either type A or type B; the same chosen mapping type shall then be used for all tests.

11.1.3.2.4 Applicability of PUSCH repetition type A requirements

Unless otherwise stated, PUSCH repetition type A requirements shall apply only for a SAN type *1-O* declaring support of low spectral efficiency MCS index table 3 and PUSCH repetition type A (see D.106 and D.107 in table 4.6-1).

11.1.3.3 Applicability of PUCCH performance requirements

11.1.3.3.1 Applicability of requirements for different formats

Unless otherwise stated, PUCCH requirement tests shall apply only for each PUCCH format declared to be supported (see D.101 in table 4.6-1).

11.1.3.3.2 Applicability of requirements for different subcarrier spacings

Unless otherwise stated, PUCCH requirement tests shall apply only for each subcarrier spacing declared to be supported (see D.7 in table 4.6-1).

11.1.3.3.3 Applicability of requirements for different channel bandwidths

For each subcarrier spacing declared to be supported by the SAN, the test requirements for a specific channel bandwidth shall apply only if the SAN supports it (see D.7 in table 4.6-1).

Unless otherwise stated, for each subcarrier spacing declared to be supported, the tests shall be done only for the widest supported channel bandwidth. If performance requirement is not specified for this widest supported channel bandwidth, the tests shall be done by using performance requirement for the closest channel bandwidth lower than this widest supported bandwidth; the tested PRBs shall then be centered in this widest supported channel bandwidth.

11.1.3.3.4 Applicability of requirements for different configurations

Unless otherwise stated, PUCCH format 3 requirement tests shall apply only for the additional DM-RS configuration declared to be supported (see D.103 in table 4.6-1). If both options (without and with additional DM-RS) are declared to be supported, the tests shall be done for either without or with additional DM-RS; the same chosen option shall then be used for all tests.

Unless otherwise stated, PUCCH format 4 requirement tests shall apply only for the additional DM-RS configuration declared to be supported (see D.104 in table 4.6-1). If both options (without and with additional DM-RS) are declared to be supported, the tests shall be done for either without or with additional DM-RS; the same chosen option shall then be used for all tests.

11.1.3.3.5 Applicability of requirements for multi-slot PUCCH

Unless otherwise stated, multi-slot PUCCH requirement tests shall apply only if the SAN supports it (see D.105 in table 4.6-1).

11.1.3.4 Applicability of PRACH performance requirements

11.1.3.4.1 Applicability of requirements for different formats

Unless otherwise stated, PRACH requirement tests shall apply only for each PRACH format declared to be supported (see D.102 in table 4.6-1).

11.1.3.4.2 Applicability of requirements for different subcarrier spacings

Unless otherwise stated, for each PRACH format with short sequence declared to be supported, for each FR, the tests shall apply only for the smallest supported subcarrier spacing in the FR (see D.102 in table 4.6-1).

11.1.3.4.3 Applicability of requirements for different channel bandwidths

Unless otherwise stated, for the subcarrier spacing to be tested, the test requirements shall apply only for anyone channel bandwidth declared to be supported (see D.7 in table 4.6-1).

11.1.3.5 Applicability of performance requirements for PUSCH with DM-RS bundling

11.1.3.5.1 Applicability of requirements for different subcarrier spacings

Unless otherwise stated, PUSCH with DM-RS bundling requirement tests shall apply only for each subcarrier spacings declared to be supported (see D.108 in table 4.6-1).

11.1.3.5.2 Applicability of requirements for different receiver antenna connectors

Unless otherwise stated, for a SAN supporting different numbers of TAB connectors (for SAN type 1-O) (see D.37 in table 4.6-1), the PUSCH with DM-RS bundling performance tests with low MIMO correlation level shall apply only for the highest numbers of supported connectors, and the specific connectors used for testing are based on manufacturer declaration.

11.2 OTA performance requirements for PUSCH

11.2.1 Performance requirements for PUSCH with transform precoding disabled

11.2.1.1 Definition and applicability

The performance requirement of PUSCH is determined by a minimum required throughput for a given SNR. The required throughput is expressed as a fraction of maximum throughput for the FRCs listed in annex A. The performance requirements assume HARQ re-transmissions.

Which specific test(s) are applicable to SAN is based on the test applicability rules defined in clause 11.1.3.

11.2.1.2 Minimum Requirement

For *SAN type 1-O*, the minimum requirement is in TS 38.108 [2] clause 11.2.1.

For *SAN type 2-O*, the minimum requirement is in TS 38.108 [2], clause 11.2.2.1.

11.2.1.3 Test Purpose

The test shall verify the receiver's ability to achieve throughput under multipath fading propagation conditions for a given SNR.

11.2.1.4 Method of test

11.2.1.4.1 Initial Conditions

Test environment: Normal, see annex B.2.

RF channels to be tested for single carrier: *M*; see clause 4.9.1.

Direction to be tested: OTA REFSENS *receiver target reference direction* (see D.44 in table 4.6-1).

11.2.1.4.2 Procedure

- 1) Place the SAN with its manufacturer declared coordinate system reference point in the same place as calibrated point in the test system, as shown in annex D.7.
- 2) Align the manufacturer declared coordinate system orientation of the SAN with the test system.
- 3) Set the SAN in the declared direction to be tested.
- 4) Connect the SAN tester generating the wanted signal, multipath fading simulators and AWGN generators to a test antenna via a combining network in OTA test setup, as shown in annex D.7. Each of the demodulation branch signals should be transmitted on one polarization of the test antenna(s).
- 5) The characteristics of the wanted signal shall be configured according to the corresponding UL reference measurement channel defined in annex A, and according to additional test parameters listed in table 11.2.1.4.2-1.

Table 11.2.1.4.2-1: Test parameters for testing PUSCH

Parameter		Value	
		SAN type 1-O	SAN type 2-O
Transform precoding			
HARQ	Maximum number of HARQ transmissions	4	
	RV sequence	0, 2, 3, 1	
DM-RS	DM-RS configuration type	1	
	DM-RS duration	single-symbol DM-RS	
	Additional DM-RS position	pos1	
	Number of DM-RS CDM group(s) without data	2	
	Ratio of PUSCH EPRE to DM-RS EPRE	-3 dB	
	DM-RS port	{0}	
	DM-RS sequence generation	$N_{ID}^0=0, n_{SCID}=0$	
Time domain resource assignment	PUSCH mapping type	A, B	B
	Start symbol	0	
	Allocation length	14	10
Frequency domain resource assignment	RB assignment	Full applicable test bandwidth	
	Frequency hopping	Disabled	
Code block group based PUSCH transmission		Disabled	
Frequency domain resource assignment	RB assignment	N.A.	Disabled
	Frequency hopping	N.A.	Disabled

- 6) The multipath fading emulators shall be configured according to the corresponding channel model defined in annex G.
- 7) Adjust the test signal mean power so the calibrated radiated SNR value at the SAN receiver is as specified in clause 11.2.1.5 and clause 11.2.1.6 for SAN type 1-O and SAN type 2-O respectively, and that the SNR at the SAN receiver is not impacted by the noise floor.

The power level for the transmission may be set such that the AWGN level at the RIB is equal to the AWGN level in table 11.2.1.4.2-2.

Table 11.2.1.4.2-2: AWGN power level at the SAN input

SAN type	Sub-carrier spacing (kHz)	Channel bandwidth (MHz)	AWGN power level
1-O (Note 2)	15	5	$-86.5 - \Delta_{OTAREFSENS}$ dBm / 4.5 MHz
	30	10	$-83.6 - \Delta_{OTAREFSENS}$ dBm / 8.64 MHz
2-O (Note 5)	120	50	$EIS_{REFSENS_50M} + \Delta_{FR2_REFSENS} + 15$ dBm / 46.08 MHz

NOTE 1: $\Delta_{OTAREFSENS}$ as declared in D.43 in table 4.6-1 and clause 10.1
[NOTE 2: The AWGN power level contains an AWGN offset of 16dB by default. If needed for test purposes, the AWGN level can be reduced from the default by any value in the range 0dB to 16dB. Changing the AWGN level does not impact the validity of the test, as it reduces the effective base band SNR level.]
NOTE 3: $\Delta_{FR2_REFSENS} = -3$ dB as described in clause 10.1, since the OTA REFSENS reference direction (as declared in D.43 in table 4.6-1) is used for testing.
NOTE 4: $EIS_{REFSENS_50M}$ as declared in D.xx in table 4.6-1.
NOTE 5: The AWGN power level contains an AWGN offset of 15dB by default. If needed for test purposes, the AWGN level can be reduced from the default by any value in the range 0dB to 15dB. Changing the AWGN level does not impact the validity of the test, as it reduces the effective base band SNR level.

- 8) For reference channels applicable to the SAN, measure the throughput.

11.2.1.5 Test Requirement

The throughput measured according to clause 11.2.1.4.2 shall not be below the limits for the SNR levels specified in table 11.2.1.5-1 to 11.2.1.5-4.

Table 11.2.1.5-1: Test requirements for PUSCH with 70% of maximum throughput, Type A, 5 MHz channel bandwidth, 15 kHz SCS in FR1-NTN

Number of TX antennas	Number of demodulation branches	Cyclic prefix	Propagation conditions and correlation matrix (Annex G)	Fraction of maximum throughput	FRC (annex A)	Additional DM-RS position	SNR (dB)
1	1	Normal	NTN-TDLA100-200 Low	70 %	G-FR1-NTN-A3-1	pos1	3.8
		Normal	NTN-TDLC5-200 Low	70 %	G-FR1-NTN-A3-1	pos1	2.2
	2	Normal	NTN-TDLA100-200 Low	70 %	G-FR1-NTN-A3-1	pos1	-0.1
		Normal	NTN-TDLC5-200 Low	70%	G-FR1-NTN-A3-1	pos1	-0.6

Table 11.2.1.5-2: Test requirements for PUSCH with 70% of maximum throughput, Type A, 10 MHz channel bandwidth, 30 kHz SCS in FR1-NTN

Number of TX antennas	Number of demodulation branches	Cyclic prefix	Propagation conditions and correlation matrix (Annex G)	Fraction of maximum throughput	FRC (annex A)	Additional DM-RS position	SNR (dB)
1	1	Normal	NTN-TDLA100-200 Low	70 %	G-FR1-NTN-A3-2	pos1	3.5
		Normal	NTN-TDLC5-200 Low	70 %	G-FR1-NTN-A3-2	pos1	2.0
	2	Normal	NTN-TDLA100-200 Low	70 %	G-FR1-NTN-A3-2	pos1	-0.4
		Normal	NTN-TDLC5-200 Low	70%	G-FR1-NTN-A3-2	pos1	-0.8

Table 11.2.1.5-3: Test requirements for PUSCH with 70% of maximum throughput, Type B, 5 MHz channel bandwidth, 15 kHz SCS in FR1-NTN

Number of TX antennas	Number of demodulation branches	Cyclic prefix	Propagation conditions and correlation matrix (Annex G)	Fraction of maximum throughput	FRC (annex A)	Additional DM-RS position	SNR (dB)
1	1	Normal	NTN-TDLA100-200 Low	70 %	G-FR1-NTN-A3-1	pos1	3.9
		Normal	NTN-TDLC5-200 Low	70 %	G-FR1-NTN-A3-1	pos1	2.2
	2	Normal	NTN-TDLA100-200 Low	70 %	G-FR1-NTN-A3-1	pos1	0.0
		Normal	NTN-TDLC5-200 Low	70%	G-FR1-NTN-A3-1	pos1	-0.6

Table 11.2.1.5-4: Test requirements for PUSCH with 70% of maximum throughput, Type B, 10 MHz channel bandwidth, 30 kHz SCS in FR1-NTN

Number of TX antennas	Number of demodulation branches	Cyclic prefix	Propagation conditions and correlation matrix (Annex [G])	Fraction of maximum throughput	FRC (annex A)	Additional DM-RS position	SNR (dB)
1	1	Normal	NTN-TDLA100-200 Low	70 %	G-FR1-NTN-A3-2	pos1	3.5
		Normal	NTN-TDLC5-200 Low	70 %	G-FR1-NTN-A3-2	pos1	1.9
	2	Normal	NTN-TDLA100-200 Low	70 %	G-FR1-NTN-A3-2	pos1	-0.4
		Normal	NTN-TDLC5-200 Low	70%	G-FR1-NTN-A3-2	pos1	-0.8

11.2.1.6 Test Requirement for SAN type 2-O

The throughput measured according to clause 11.2.1.4.2 shall not be below the limits for the SNR levels specified in table 11.2.1.6-1.

Table 11.2.1.6-1: Test requirements for PUSCH with 70% of maximum throughput, 50 MHz Channel Bandwidth, 120 kHz SCS in FR2-NTN

Number of TX antennas	Number of demodulation branches	Cyclic prefix	Propagation conditions and correlation matrix (Annex G)	Fraction of maximum throughput	FRC (annex A)	Additional DM-RS position	SNR (dB)
1	1	Normal	NTN-TDLC5-1200 Low	70 %	G-FR2-NTN-A5-1	pos1	[0.6]
		Normal	NTN-TDLC5-1200 Low	70 %	G-FR2-NTN-A6-1	pos1	[9.5]
	2	Normal	NTN-TDLC5-1200 Low	70 %	G-FR2-NTN-A5-1	pos1	[-2.8]
		Normal	NTN-TDLC5-1200 Low	70%	G-FR2-NTN-A6-1	pos1	[6.1]

11.2.2 Performance requirements for PUSCH with transform precoding enabled

11.2.2.1 Definition and applicability

The performance requirement of PUSCH is determined by a minimum required throughput for a given SNR. The required throughput is expressed as a fraction of maximum throughput for the FRCs listed in annex A. The performance requirements assume HARQ re-transmissions.

Which specific test(s) are applicable to SAN is based on the test applicability rules defined in clause 11.1.3.

11.2.2.2 Minimum Requirement

For SAN type 1-O, the minimum requirement is in TS 38.108 [2] clause 11.2.2.

For SAN type 2-O, the minimum requirement is in TS 38.108 [2] clause 11.2.2.2.

11.2.2.3 Test Purpose

The test shall verify the receiver's ability to achieve throughput under multipath fading propagation conditions for a given SNR.

11.2.2.4 Method of test

11.2.2.4.1 Initial Conditions

Test environment: Normal, see annex B.2.

RF channels to be tested for single carrier: M; see clause 4.9.1.

Direction to be tested: OTA REFSSENS *receiver target reference direction* (see D.44 in table 4.6-1).

11.2.2.4.2 Procedure

- 1) Place the SAN with its manufacturer declared coordinate system reference point in the same place as calibrated point in the test system, as shown in annex D.7.
- 2) Align the manufacturer declared coordinate system orientation of the SAN with the test system.
- 3) Set the SAN in the declared direction to be tested.
- 4) Connect the SAN tester generating the wanted signal, multipath fading simulators and AWGN generators to a test antenna via a combining network in OTA test setup, as shown in annex D.7. Each of the demodulation branch signals should be transmitted on one polarization of the test antenna(s).
- 5) The characteristics of the wanted signal shall be configured according to the corresponding UL reference measurement channel defined in annex A, and according to additional test parameters listed in table 11.2.2.4.2-1.

Table 11.2.2.4.2-1: Test parameters for testing PUSCH

Parameter		Value	
		SAN type 1-O	SAN type 2-O
Transform precoding		Enabled	
HARQ	Maximum number of HARQ transmissions	4	
	RV sequence	0, 2, 3, 1	
DM-RS	DM-RS configuration type	1	
	DM-RS duration	single-symbol DM-RS	
	Additional DM-RS position	pos1	
	Number of DM-RS CDM group(s) without data	2	
	Ratio of PUSCH EPRE to DM-RS EPRE	-3 dB	
	DM-RS port	{0}	
	DM-RS sequence generation	$N_{ID}^0=0$, group hopping and sequence hopping are disabled	
Time domain resource assignment	PUSCH mapping type	A, B	B
	Start symbol	0	
	Allocation length	14	10
Frequency domain resource assignment	RB assignment	Full applicable test bandwidth	30 PRBs in the middle of the test bandwidth
	Frequency hopping	Disabled	
Code block group based PUSCH transmission		Disabled	
PTRS configuration	Frequency density (K_{PT-RS})	N.A.	Disabled
	Time density (L_{PT-RS})	N.A.	Disabled

- 6) The multipath fading emulators shall be configured according to the corresponding channel model defined in annex G.
- 7) Adjust the test signal mean power so the calibrated radiated SNR value at the SAN receiver is as specified in clause 11.2.2.5 and clause 11.2.2.6 for *SAN type 1-O* and *SAN type 1-O* respectively, and that the SNR at the SAN receiver is not impacted by the noise floor.

The power level for the transmission may be set such that the AWGN level at the RIB is equal to the AWGN level in table 11.2.2.4.2-2.

Table 11.2.2.4.2-2: AWGN power level at the SAN input

SAN type	Sub-carrier spacing (kHz)	Channel bandwidth (MHz)	AWGN power level
1-0 (Note 2)	15	5	$-86.5 - \Delta_{\text{OTAREFSENS}}$ dBm / 4.5 MHz
	30	10	$-83.6 - \Delta_{\text{OTAREFSENS}}$ dBm / 8.64 MHz
2-0 (Note 5)	120	50	$E_{\text{ISREFSENS}_{50\text{M}}} + \Delta_{\text{FR2_REFSENS}} + 15$ dBm / 46.08 MHz

NOTE 1: $\Delta_{\text{OTAREFSENS}}$ as declared in D.43 in table 4.6-1 and clause 10.1.
 [NOTE 2: The AWGN power level contains an AWGN offset of 16dB by default. If needed for test purposes, the AWGN level can be reduced from the default by any value in the range 0dB to 16dB. Changing the AWGN level does not impact the validity of the test, as it reduces the effective base band SNR level.]
 NOTE 3: $\Delta_{\text{FR2_REFSENS}} = -3$ dB as described in clause 10.1, since the OTA REFSENS reference direction (as declared in D.43 in table 4.6-1) is used for testing.
 NOTE 4: $E_{\text{ISREFSENS}_{50\text{M}}}$ as declared in D.xx in table 4.6-1.
 NOTE 5: The AWGN power level contains an AWGN offset of 15dB by default. If needed for test purposes, the AWGN level can be reduced from the default by any value in the range 0dB to 15dB. Changing the AWGN level does not impact the validity of the test, as it reduces the effective base band SNR level.

8) For reference channels applicable to the SAN, measure the throughput.

11.2.2.5 Test Requirement

The throughput measured according to clause 11.2.2.4.2 shall not be below the limits for the SNR levels specified in table 11.2.2.5-1 to 11.2.2.5-4.

Table 11.2.2.5-1: Test requirements for PUSCH with 70% of maximum throughput, PUSCH mapping Type A, 5 MHz channel bandwidth, 15 kHz SCS in FR1-NTN

Number of TX antennas	Number of demodulation branches	Cyclic prefix	Propagation conditions and correlation matrix (Annex G)	Fraction of maximum throughput	FRC (annex A)	Additional DM-RS position	SNR (dB)
1	1	Normal	NTN-TDLA100-200 Low	70 %	G-FR1-NTN-A3-3	pos1	4.3
		Normal	NTN-TDLC5-200 Low	70 %	G-FR1-NTN-A3-3	pos1	2.2
	2	Normal	NTN-TDLA100-200 Low	70 %	G-FR1-NTN-A3-3	pos1	0.1
		Normal	NTN-TDLC5-200 Low	70%	G-FR1-NTN-A3-3	pos1	-0.6

Table 11.2.2.5-2: Test requirements for PUSCH with 70% of maximum throughput, PUSCH mapping Type A, 10 MHz channel bandwidth, 30 kHz SCS in FR1-NTN

Number of TX antennas	Number of demodulation branches	Cyclic prefix	Propagation conditions and correlation matrix (Annex G)	Fraction of maximum throughput	FRC (annex A)	Additional DM-RS position	SNR (dB)
1	1	Normal	NTN-TDLA100-200 Low	70 %	G-FR1-NTN-A3-4	pos1	4.1
		Normal	NTN-TDLC5-200 Low	70 %	G-FR1-NTN-A3-4	pos1	1.9
	2	Normal	NTN-TDLA100-200 Low	70 %	G-FR1-NTN-A3-4	pos1	-0.1
		Normal	NTN-TDLC5-200 Low	70%	G-FR1-NTN-A3-4	pos1	-0.8

Table 11.2.2.5-3: Test requirements for PUSCH with 70% of maximum throughput, PUSCH mapping Type B, 5 MHz channel bandwidth, 15 kHz SCS in FR1-NTN

Number of TX antennas	Number of demodulation branches	Cyclic prefix	Propagation conditions and correlation matrix (Annex G)	Fraction of maximum throughput	FRC (annex A)	Additional DM-RS position	SNR (dB)
1	1	Normal	NTN-TDLA100-200 Low	70 %	G-FR1-NTN-A3-3	pos1	4.3
		Normal	NTN-TDLC5-200 Low	70 %	G-FR1-NTN-A3-3	pos1	2.2
	2	Normal	NTN-TDLA100-200 Low	70 %	G-FR1-NTN-A3-3	pos1	0.1
		Normal	NTN-TDLC5-200 Low	70%	G-FR1-NTN-A3-3	pos1	-0.6

Table 11.2.2.5-4: Test requirements for PUSCH with 70% of maximum throughput, PUSCH mapping Type B, 10 MHz channel bandwidth, 30 kHz SCS in FR1-NTN

Number of TX antennas	Number of demodulation branches	Cyclic prefix	Propagation conditions and correlation matrix (Annex G)	Fraction of maximum throughput	FRC (annex A)	Additional DM-RS position	SNR (dB)
1	1	Normal	NTN-TDLA100-200 Low	70 %	G-FR1-NTN-A3-4	pos1	4.1
		Normal	NTN-TDLC5-200 Low	70 %	G-FR1-NTN-A3-4	pos1	1.9
	2	Normal	NTN-TDLA100-200 Low	70 %	G-FR1-NTN-A3-4	pos1	-0.1
		Normal	NTN-TDLC5-200 Low	70%	G-FR1-NTN-A3-4	pos1	-0.8

11.2.2.6 Test Requirement for SAN type 2-O

The throughput measured according to clause 11.2.2.4.2 shall not be below the limits for the SNR levels specified in table 11.2.2.6-1.

Table 11.2.2.6-1: Test requirements for PUSCH with 70% of maximum throughput, PUSCH mapping Type B, 50 MHz channel bandwidth, 120 kHz SCS in FR2-NTN

Number of TX antennas	Number of demodulation branches	Cyclic prefix	Propagation conditions and correlation matrix (Annex G)	Fraction of maximum throughput	FRC (annex A)	Additional DM-RS position	SNR (dB)
1	1	Normal	NTN-TDLC5-1200 Low	70 %	G-FR2-NTN-A5-2	pos1	[0.7]
	2	Normal	NTN-TDLC5-1200 Low	70 %	G-FR2-NTN-A5-2	pos1	[-2.6]

11.2.3 Performance requirements for UL timing adjustment

11.2.3.1 Definition and applicability

The performance requirement of UL timing adjustment is determined by a minimum required throughput measured for the moving UE at given SNR. The performance requirements assume HARQ retransmissions.

In the tests for UL timing adjustment, two signals are configured, one being transmitted by a moving UE and the other being transmitted by a stationary UE. The transmission of SRS from UE is optional. FRC parameters in Table A.3-3 are applied for both UEs. The received power for both UEs is the same. The resource blocks allocated for both UEs are consecutive.

Which specific test(s) are applicable to SAN is based on the test applicability rules defined in clause 11.1.3.

11.2.3.2 Minimum Requirement

For *SAN type I-O*, the minimum requirement is in TS 38.108 [2] clause 11.2.3.

11.2.3.3 Test Purpose

The test shall verify the receiver's ability to achieve throughput measured for the moving UE at given SNR under moving propagation conditions.

11.2.3.4 Method of test

11.2.3.4.1 Initial Conditions

Test environment: Normal, see annex B.2.

RF channels to be tested: M; see clause 4.9.1.

Direction to be tested: OTA REFSENS *receiver target reference direction* (see D.44 in table 4.6-1).

11.2.3.4.2 Procedure

- 1) Place the SAN with its manufacturer declared coordinate system reference point in the same place as calibrated point in the test system, as shown in annex D.7.
- 2) Align the manufacturer declared coordinate system orientation of the SAN with the test system.
- 3) Set the SAN in the declared direction to be tested.
- 4) Connect the SAN tester generating the wanted signal, multipath fading simulators and AWGN generators to a test antenna via a combining network in OTA test setup, as shown in annex D.7. Each of the demodulation branch signals should be transmitted on one polarization of the test antenna(s).
- 5) The characteristics of the wanted signal shall be configured according to the corresponding UL reference measurement channel defined in annex A, and according to additional test parameters listed in table 11.2.3.4.2-1.

Table 11.2.3.4.2-1 Test parameters for testing UL timing adjustment for SAN type 1-O

Parameter		Value
Transform precoding		Disabled
HARQ	Maximum number of HARQ transmissions	4
	RV sequence	0, 2, 3, 1
DM-RS	DM-RS configuration type	1
	DM-RS duration	single-symbol DM-RS
	Additional DM-RS position	pos2
	Number of DM-RS CDM group(s) without data	2
	Ratio of PUSCH EPRE to DM-RS EPRE	-3 dB
	DM-RS port	{0}
	DM-RS sequence generation	$N_{ID}^0=0, n_{SCID}=0$ for moving UE $N_{ID}^0=1, n_{SCID}=1$ for stationary UE
Time domain resource assignment	PUSCH mapping type	A, B
	Start symbol	0
	Allocation length	14
Frequency domain resource assignment	RB assignment	12 RB for each UE
	Starting PRB index	Moving UE: 0 Stationary UE: 12
	Frequency hopping	Disabled
SRS resource allocation	Slots in which sounding RS is transmitted (Note 1)	slot #1 in radio frames
	SRS resource allocation	$C_{SRS}=5, B_{SRS}=0$, for 20 RB
Code block group based PUSCH transmission		Disabled
NOTE 1. The transmission of SRS is optional. The transmission comb is configured as $K_{TC}=2$. The SRS periodic is configured as $T_{SRS}=10$ for 15kHz SCS and 20 for 30kHz SCS respectively.		

- 6) The multipath fading emulators shall be configured according to the corresponding channel model defined in annex G. Unless stated otherwise, the MIMO correlation matrices for the gNB are defined in annex G for low correlation.
- 7) Adjust the test signal mean power so the calibrated radiated SNR value at the SAN receiver is as specified in clause 11.2.3.5 and that the SNR at the SAN receiver is not impacted by the noise floor.

The power level for the transmission may be set such that the AWGN level at the RIB is equal to the AWGN level in table 11.2.3.4.2-2.

Table 11.2.3.4.2-2: AWGN power level at the SAN input

Sub-carrier spacing (kHz)	Channel bandwidth (MHz)	AWGN power level
15	5	-86.5dBm - $\Delta_{OTAREFSENS}$ dBm / 4.5MHz
30	10	-83.6 dBm - $\Delta_{OTAREFSENS}$ dBm / 8.64MHz
NOTE 1: $\Delta_{OTAREFSENS}$ as declared in D.43 in table 4.6-1 and clause 10.1. [NOTE 2: The AWGN power level contains an AWGN offset of 16dB by default. If needed for test purposes, the AWGN level can be reduced from the default by any value in the range 0dB to 16dB. Changing the AWGN level does not impact the validity of the test, as it reduces the effective base band SNR level.]		

- 8) For reference channels applicable to the SAN, measure the throughput.

11.2.3.5 Test Requirement

The throughput measured according to clause 11.2.3.4.2 shall not be below the limits for the SNR levels specified in table 11.2.3.5-1 to 11.2.3.5-4.

Table 11.2.3.5-1: Test requirements for UL timing adjustment with 70% of maximum throughput, PUSCH mapping Type A, 5 MHz channel bandwidth, 15 kHz SCS in FR1-NTN

Number of TX antennas	Number of demodulation branches	Cyclic prefix	Propagation conditions and correlation matrix (Annex G)	Fraction of maximum throughput	FRC (annex A)	Additional DM-RS position	SNR (dB)
1	1	Normal	Scenario X	70 %	G-FR1-NTN-A3-5	pos1	4.7
	2	Normal	Scenario X	70 %	G-FR1-NTN-A3-5	pos1	0.3

Table 11.2.3.5-2: Test requirements for UL timing adjustment with 70% of maximum throughput, PUSCH mapping Type A, 10 MHz channel bandwidth, 30 kHz SCS in FR1-NTN

Number of TX antennas	Number of demodulation branches	Cyclic prefix	Propagation conditions and correlation matrix (Annex G)	Fraction of maximum throughput	FRC (annex A)	Additional DM-RS position	SNR (dB)
1	1	Normal	Scenario X	70 %	G-FR1-NTN-A3-6	pos1	4.2
	2	Normal	Scenario X	70 %	G-FR1-NTN-A3-6	pos1	0.1

Table 11.2.3.5-3: Test requirements for UL timing adjustment with 70% of maximum throughput, PUSCH mapping Type B, 5 MHz channel bandwidth, 15 kHz SCS in FR1-NTN

Number of TX antennas	Number of demodulation branches	Cyclic prefix	Propagation conditions and correlation matrix (Annex G)	Fraction of maximum throughput	FRC (annex A)	Additional DM-RS position	SNR (dB)
1	1	Normal	Scenario X	70 %	G-FR1-NTN-A3-5	pos1	4.8
	2	Normal	Scenario X	70 %	G-FR1-NTN-A3-5	pos1	0.3

Table 11.2.3.5-4: Test requirements for UL timing adjustment with 70% of maximum throughput, PUSCH mapping Type B, 10 MHz channel bandwidth, 30 kHz SCS in FR1-NTN

Number of TX antennas	Number of demodulation branches	Cyclic prefix	Propagation conditions and correlation matrix (Annex G)	Fraction of maximum throughput	FRC (annex A)	Additional DM-RS position	SNR (dB)
1	1	Normal	Scenario X	70 %	G-FR1-NTN-A3-6	pos1	4.2
	2	Normal	Scenario X	70 %	G-FR1-NTN-A3-6	pos1	0.2

11.2.4 Performance requirements for PUSCH repetition Type A

11.2.4.1 Definition and applicability

The performance requirement of PUSCH with slot aggregation factor configured is determined by a maximum target BLER for a given SNR. The required BLER is defined as the probability of incorrectly decoding the PUSCH information when the PUSCH information is sent for the FRCs listed in annex A. The performance requirements assume HARQ re-transmissions.

Which specific test(s) are applicable to SAN is based on the test applicability rules defined in clause 11.1.3.

11.2.4.2 Minimum Requirement

For *SAN type 1-O*, the minimum requirement is in TS 38.108 [2] clause 11.2.4.

For *SAN type 2-O*, the minimum requirement is in TS 38.108 [2], clause 11.2.2.3.

11.2.4.3 Test Purpose

The test shall verify the receiver's ability to achieve 1% BLER with PUSCH repetition Type A under multipath fading propagation conditions for a given SNR.

11.2.4.4 Method of test

11.2.4.4.1 Initial Conditions

Test environment: Normal, see annex B.2.

RF channels to be tested for single carrier: M; see clause 4.9.1.

Direction to be tested: OTA REFSSENS *receiver target reference direction* (see D.44 in table 4.6-1).

11.2.4.4.2 Procedure

- 1) Place the SAN with its manufacturer declared coordinate system reference point in the same place as calibrated point in the test system, as shown in annex D.7.
- 2) Align the manufacturer declared coordinate system orientation of the SAN with the test system.
- 3) Set the SAN in the declared direction to be tested.
- 4) Connect the SAN tester generating the wanted signal, multipath fading simulators and AWGN generators to a test antenna via a combining network in OTA test setup, as shown in annex D.7. Each of the demodulation branch signals should be transmitted on one polarization of the test antenna(s).
- 5) The characteristics of the wanted signal shall be configured according to the corresponding UL reference measurement channel defined in annex A, and according to additional test parameters listed in table 11.2.4.4.2-1.

Table 11.2.4.4.2-1: Test parameters for testing PUSCH repetition Type A

Parameter		Value	
		SAN Type 1-O	SAN Type 2-O
Transform precoding		Disabled	
HARQ	Maximum number of HARQ transmissions	4	
	RV sequence	0, 3, 0, 3 [Note 1]	
DM-RS	DM-RS configuration type	1	
	DM-RS duration	single-symbol DM-RS	
	Additional DM-RS position	pos1	
	Number of DM-RS CDM group(s) without data	2	
	Ratio of PUSCH EPRE to DM-RS EPRE	-3 dB	
	DM-RS port	{0}	
	DM-RS sequence generation	$N_{ID}^0=0, n_{SCID}=0$	
Time domain resource assignment	PUSCH mapping type	A, B	B
	Start symbol	0	
	Allocation length	14	10
	PUSCH aggregation factor	n2	
Frequency domain resource assignment	RB assignment	Full applicable test bandwidth	
	Frequency hopping	Disabled	
Code block group based PUSCH transmission		Disabled	
PTRS configuration	Frequency density (K_{PT-RS})	N.A.	Disabled
	Time density (L_{PT-RS})	N.A.	Disabled
Note 1: The effective RV sequence is {0, 2, 3, 1} with slot aggregation.			

- 6) The multipath fading emulators shall be configured according to the corresponding channel model defined in annex G.
- 7) Adjust the test signal mean power so the calibrated radiated SNR value at the SAN receiver is as specified in clause 11.2.4.5 and clause 11.2.4.6 for *SAN type 1-O* and *SAN type 2-O* respectively, and that the SNR at the SAN receiver is not impacted by the noise floor.

The power level for the transmission may be set such that the AWGN level at the RIB is equal to the AWGN level in table 11.2.4.4.2-2.

Table 11.2.4.4.2-2: AWGN power level at the SAN input

SAN type	Sub-carrier spacing (kHz)	Channel bandwidth (MHz)	AWGN power level
1-O (NOTE 2)	15	5	-86.5 - $\Delta_{OTAREFSENS}$ dBm / 4.5 MHz
	30	10	-83.6 - $\Delta_{OTAREFSENS}$ dBm / 8.64 MHz
2-O (NOTE 5)	120	50	$EIS_{REFSENS_50M} + \Delta_{FR2_REFSENS} + 15$ dBm / 46.08 MHz

NOTE 1: $\Delta_{OTAREFSENS}$ as declared in D.43 in table 4.6-1 and clause 10.1.
 [NOTE 2: The AWGN power level contains an AWGN offset of 16dB by default. If needed for test purposes, the AWGN level can be reduced from the default by any value in the range 0dB to 16dB. Changing the AWGN level does not impact the validity of the test, as it reduces the effective base band SNR level.]
 NOTE 3: $\Delta_{FR2_REFSENS} = -3$ dB as described in clause 10.1, since the OTA REFSENS reference direction (as declared in D.43 in table 4.6-1) is used for testing.
 NOTE 4: $EIS_{REFSENS_50M}$ as declared in D.xx in table 4.6-1.
 NOTE 5: The AWGN power level contains an AWGN offset of 15dB by default. If needed for test purposes, the AWGN level can be reduced from the default by any value in the range 0dB to 15dB. Changing the AWGN level does not impact the validity of the test, as it reduces the effective base band SNR level.

8) For reference channels applicable to the SAN, measure the throughput.

11.2.4.5 Test Requirement

The BLER measured according to clause 11.2.4.4.2 shall not be above the limits for the SNR levels specified in table 11.2.4.5-1 to 11.2.4.5-4.

Table 11.2.4.5-1: Test requirements for PUSCH repetition TypeA, PUSCH mapping Type A, 5 MHz channel bandwidth, 15 kHz SCS in FR1-NTN

Number of TX antennas	Number of demodulation branches	Cyclic prefix	Propagation conditions and correlation matrix (Annex G)	Target BLER	FRC (Annex A)	Additional DM-RS position	SNR (dB)
1	1	Normal	NTN-TDLA100-200 Low	1% (Note 1)	G-FR1-NTN-A3A-1	pos1	-4.5
	2	Normal	NTN-TDLA100-200 Low	1% (Note 1)	G-FR1-NTN-A3A-1	pos1	-7.9

Note 1: BLER is defined as residual BLER; i.e. ratio of incorrectly received transport blocks / sent transport blocks, independently of the number HARQ transmission(s) for each transport block.

Table 11.2.4.5-2: Test requirements for PUSCH, PUSCH mapping Type A, 10 MHz channel bandwidth, 30 kHz SCS in FR1-NTN

Number of TX antennas	Number of demodulation branches	Cyclic prefix	Propagation conditions and correlation matrix (Annex G)	Target BLER	FRC (Annex A)	Additional DM-RS position	SNR (dB)
1	1	Normal	NTN-TDLA100-200 Low	1% (Note 1)	G-FR1-NTN-A3A-2	pos1	-4.5
	2	Normal	NTN-TDLA100-200 Low	1% (Note 1)	G-FR1-NTN-A3A-2	pos1	-7.9

Note 1: BLER is defined as residual BLER; i.e. ratio of incorrectly received transport blocks / sent transport blocks, independently of the number HARQ transmission(s) for each transport block.

Table 11.2.4.5-3: Test requirements for PUSCH, PUSCH mapping Type B, 5 MHz channel bandwidth, 15 kHz SCS in FR1-NTN

Number of TX antennas	Number of demodulation branches	Cyclic prefix	Propagation conditions and correlation matrix (Annex [G])	Target BLER	FRC (Annex A)	Additional DM-RS position	SNR (dB)
1	1	Normal	NTN-TDLA100-200 Low	1% (Note 1)	G-FR1-NTN-A3A-1	pos1	-4.5
	2	Normal	NTN-TDLA100-200 Low	1% (Note 1)	G-FR1-NTN-A3A-1	pos1	-7.9
Note 1: BLER is defined as residual BLER; i.e. ratio of incorrectly received transport blocks / sent transport blocks, independently of the number HARQ transmission(s) for each transport block.							

Table 11.2.4.5-4: Test requirements for PUSCH, PUSCH mapping Type B, 10 MHz channel bandwidth, 30 kHz SCS in FR1-NTN

Number of TX antennas	Number of demodulation branches	Cyclic prefix	Propagation conditions and correlation matrix (Annex [G])	Target BLER	FRC (Annex A)	Additional DM-RS position	SNR (dB)
1	1	Normal	NTN-TDLA100-200 Low	1% (Note 1)	G-FR1-NTN-A3A-2	pos1	-4.5
	2	Normal	NTN-TDLA100-200 Low	1% (Note 1)	G-FR1-NTN-A3A-2	pos1	-7.9
Note 1: BLER is defined as residual BLER; i.e. ratio of incorrectly received transport blocks / sent transport blocks, independently of the number HARQ transmission(s) for each transport block.							

11.2.4.6 Test Requirement for SAN type 2-O

The BLER measured according to clause 11.2.4.4.2 shall not be above the limits for the SNR levels specified in table 11.2.4.6-1.

Table 11.2.4.6-1: Test requirements for PUSCH repetition TypeA, PUSCH mapping Type B, 50 MHz channel bandwidth, 120 kHz SCS in FR2-NTN

Number of TX antennas	Number of demodulation branches	Cyclic prefix	Propagation conditions and correlation matrix (Annex G)	Target BLER	FRC (Annex A)	Additional DM-RS position	SNR (dB)
1	1	Normal	NTN-TDLC5-1200 Low	1% (Note 1)	G-FR2-NTN-A3A-1	pos1	[-8.0]
	2	Normal	NTN-TDLC5-1200 Low	1% (Note 1)	G-FR2-NTN-A3A-1	pos1	[-11.4]
Note 1: BLER is defined as residual BLER; i.e., ratio of incorrectly received transport blocks / sent transport blocks, independently of the number HARQ transmission(s) for each transport block.							

11.2.5 Performance requirements for PUSCH with DM-RS bundling

11.2.5.1 Definition and applicability

The performance requirement of PUSCH with DM-RS bundling is determined by a minimum required throughput for a given SNR. The required throughput is expressed as a fraction of maximum throughput for the FRCs listed in annex A. The performance requirements assume HARQ re-transmissions.

Which specific test(s) are applicable to SAN is based on the test applicability rules defined in clause 11.1.3.

11.2.5.2 Minimum Requirement

For *SAN type I-O*, the minimum requirement is in TS 38.108 [2], clause 11.2.2.5.

11.2.5.3 Test purpose

The test shall verify the receiver's ability to achieve throughput under multipath fading propagation conditions for a given SNR with DM-RS bundling.

11.2.5.4 Method of test

11.2.5.4.1 Initial conditions

Test environment: Normal, see annex [B.2].

RF channels to be tested for single carrier: M, see clause [4.9.1.]

Direction to be tested: OTA REFSENS *receiver target reference direction* (see [D.54] in table 4.6-1).

11.2.5.4.2 Procedure

- 1) Place the SAN with its manufacturer declared coordinate system reference point in the same place as calibrated point in the test system, as shown in annex [D.7].
- 2) Align the manufacturer declared coordinate system orientation of the SAN with the test system.
- 3) Set the SAN in the declared direction to be tested.
- 4) Connect the SAN tester generating the wanted signal, multipath fading simulators and AWGN generators to a test antenna via a combining network in OTA test setup, as shown in annex E.3. Each of the demodulation branch signals should be transmitted on one polarization of the test antenna(s).
- 5) The characteristics of the wanted signal shall be configured according to the corresponding UL reference measurement channel defined in annex A, and according to additional test parameters listed in table 11.2.5.4.2-1.

Table 11.2.5.4.2-1: Test parameters for testing PUSCH

Parameter		Value
Transform precoding		Disabled
HARQ	Maximum number of HARQ transmissions	4
	RV sequence (Note 1)	0,0,0,0
DM-RS	DM-RS configuration type	1
	DM-RS duration	single-symbol DM-RS
	Additional DM-RS position	pos1
	Number of DM-RS CDM group(s) without data	2
	Ratio of PUSCH EPRE to DM-RS EPRE	-3 dB
	DM-RS port(s)	{0}
Time domain resource assignment	DM-RS sequence generation	$N_{ID}^0=0, n_{SCID}=0$
	PUSCH mapping type	A, B
	Start symbol	0
	Allocation length	14
pusch-TimeDomainWindowLength		4 for 15kHz SCS 8 for 30kHz SCS
Frequency domain resource assignment	RB assignment	6 RBs in the middle of the channel bandwidth
	Frequency hopping	Disabled
Code block group based PUSCH transmission		Disabled
SAN type		1-O
NOTE 1: The effective RV sequence is {0, 2, 3, 1} with slot aggregation.		

- 6) The multipath fading emulators shall be configured according to the corresponding channel model defined in annex J.
- 7) Adjust the test signal mean power so the calibrated radiated SNR value at the SAN receiver is as specified in clause 11.2.5.5.1 for *SAN type 1-O*, and that the SNR at the SAN receiver is not impacted by the noise floor.

The power level for the transmission may be set such that the AWGN level at the RIB is equal to the AWGN level in table 11.2.5.4.2-2.

Table 11.2.5.4.2-2: AWGN power level at the SAN input

SAN Type	Sub-carrier spacing (kHz)	Channel bandwidth (MHz)	AWGN power level
1-O (NOTE 2)	15	5	-86.5 - $\Delta_{\text{OTAREFSSENS}}$ dBm / 4.5 MHz
	30	10	-83.6 - $\Delta_{\text{OTAREFSSENS}}$ dBm / 8.64 MHz
NOTE 1: $\Delta_{\text{OTAREFSSENS}}$ as declared in D.53 in table 4.6-1 and clause 7.1.			
NOTE 2: The AWGN power level contains an AWGN offset of 15dB by default. If needed for test purposes, the AWGN level can be reduced from the default by any value in the range 0dB to 15dB. Changing the AWGN level does not impact the validity of the test, as it reduces the effective base band SNR level..			

- 8) For reference channels applicable to the SAN, measure the throughput.

11.2.5.5 Test Requirement

11.2.5.5.1 Test requirement for *SAN type 1-O*

The throughput measured according to clause 11.2.5.4.2 shall not be below the limits for the SNR levels specified in table 11.2.5.5.1-1 ~ 11.2.5.5.1.4.

Table 11.2.5.5.1-1: Test requirements for PUSCH with 70% of maximum throughput, Type A, 5 MHz channel bandwidth, FR1-NTN, 15 kHz SCS

Number of TX antennas	Number of demodulation branches	Cyclic prefix	Propagation conditions and correlation matrix (annex G)	Fraction of maximum throughput	FRC (annex G)	Additional DM-RS position	SNR (dB)
1	1	Normal	NTN-TDLA100-200 Low	70 %	G-FR1-NTN-A3-7	pos1	[-0.1]
	2	Normal	NTN-TDLA100-200 Low	70 %	G-FR1-NTN-A3-7	pos1	[-3.6]

Table 11.2.5.5.1-2: Test requirements for PUSCH with 70% of maximum throughput, Type A, 10 MHz channel bandwidth, FR1-NTN, 30 kHz SCS

Number of TX antennas	Number of demodulation branches	Cyclic prefix	Propagation conditions and correlation matrix (annex G)	Fraction of maximum throughput	FRC (annex G)	Additional DM-RS position	SNR (dB)
1	1	Normal	NTN-TDLA100-200 Low	70 %	G-FR1-NTN-A3-8	pos1	[-2.9]
	2	Normal	NTN-TDLA100-200 Low	70 %	G-FR1-NTN-A3-8	pos1	[-6.1]

Table 11.2.5.5.1-3: Test requirements for PUSCH with 70% of maximum throughput, Type B, 5 MHz channel bandwidth, FR1-NTN, 15 kHz SCS

Number of TX antennas	Number of demodulation branches	Cyclic prefix	Propagation conditions and correlation matrix (annex G)	Fraction of maximum throughput	FRC (annex G)	Additional DM-RS position	SNR (dB)
1	1	Normal	NTN-TDLA100-200 Low	70 %	G-FR1-NTN-A3-7	pos1	[-0.0]
	2	Normal	NTN-TDLA100-200 Low	70 %	G-FR1-NTN-A3-7	pos1	[-3.5]

Table 11.2.5.5.1-4: Test requirements for PUSCH with 70% of maximum throughput, Type B, 10 MHz channel bandwidth, FR1-NTN, 30 kHz SCS

Number of TX antennas	Number of demodulation branches	Cyclic prefix	Propagation conditions and correlation matrix (annex G)	Fraction of maximum throughput	FRC (annex G)	Additional DM-RS position	SNR (dB)
1	1	Normal	NTN-TDLA100-200 Low	70 %	G-FR1-NTN-A3-8	pos1	[-2.8]
	2	Normal	NTN-TDLA100-200 Low	70 %	G-FR1-NTN-A3-8	pos1	[-6.1]

11.3 OTA performance requirements for PUCCH

11.3.1 Performance requirements for PUCCH format 0

11.3.1.1 Definition and applicability

The performance requirement of single user PUCCH format 0 for ACK missed detection is determined by the two parameters: probability of false detection of the ACK and the probability of detection of ACK. The performance is measured by the required SNR at probability of detection equal to 0.99. The probability of false detection of the ACK shall be 0.01 or less.

The probability of false detection of the ACK is defined as a conditional probability of erroneous detection of the ACK when input is only noise.

The probability of detection of ACK is defined as conditional probability of detection of the ACK when the signal is present.

The transient period as specified in TS 38.101-5 [12] clause 6.3.3 is not taken into account for performance requirement testing, where the RB hopping is symmetric to the CC center, i.e. intra-slot frequency hopping is enabled.

Which specific test(s) are applicable to SAN is based on the test applicability rules defined in clause 11.1.3.

11.3.1.2 Minimum Requirement

For *SAN type 1-O*, the minimum requirements are in TS 38.108 [2] clause 11.3.1.1 and 11.3.1.2.

For *SAN type 2-O*, the minimum requirements are in TS 38.108 [2] clause [11.3.2.1] and [11.3.2.2].

11.3.1.3 Test purpose

The test shall verify the receiver's ability to detect ACK under multipath fading propagation conditions for a given SNR.

11.3.1.4 Method of test

11.3.1.4.1 Initial conditions

Test environment: Normal, see Annex B.2.

RF channels to be tested: single carrier M; see clause 4.9.1.

Direction to be tested: OTA REFSENS *receiver target reference direction* (see D.44 in table 4.6-1).

11.3.1.4.2 Procedure

- 1) Place the SAN with its manufacturer declared coordinate system reference point in the same place as calibrated point in the test system, as shown in annex D.7.
- 2) Align the manufacturer declared coordinate system orientation of the SAN with the test system.
- 3) Set the SAN in the declared direction to be tested.
- 4) Connect the SAN tester generating the wanted signal, multipath fading simulators and AWGN generators to a test antenna via a combining network in OTA test setup, as shown in annex D.7. Each of the demodulation branch signals should be transmitted on one polarization of the test antenna(s).
- 5) The characteristics of the wanted signal shall be configured according to TS 38.211 [8] and according to additional test parameters listed in table 11.3.1.4.2-1.

Table 11.3.1.4.2-1: Test parameters

Parameter	SAN type 1-O	SAN type 2-O
number of UCI information bits	1	
Number of PRBS	1	
First PRB prior to frequency hopping	0	
Intra-slot frequency hopping	Enabled	
First PRB after frequency hopping	N/A	
Group and sequence hopping	neither	
Hopping ID	0	
Initial cyclic shift	0	
First symbol	12 for 2 symbols	

- 6) The multipath fading emulators shall be configured according to the corresponding channel model defined in annex G.2.
- 7) Adjust the test signal mean power so the calibrated radiated SNR value at the SAN receiver is as specified in clause 11.3.1.5.1 and 11.3.1.5.2 for *SAN type 1-O* and *SAN type 2-O* respectively, and that the SNR at the SAN receiver is not impacted by the noise floor.

The power level for the transmission may be set such that the AWGN level at the RIB is equal to the AWGN level quoted in table 11.3.1.4.2-2.

Table 11.3.1.4.2-2: AWGN power level at the SAN input

SAN type	Sub-carrier spacing (kHz)	Channel bandwidth (MHz)	AWGN power level
SAN type 1-O (Note 2)	15	5	-86.5 - $\Delta_{OTAREFSENS}$ dBm / 4.5 MHz
	30	10	-83.6 - $\Delta_{OTAREFSENS}$ dBm / 8.64 MHz
SAN type 2-O (Note 5)	120	50	$EIS_{REFSENS_50M} + \Delta_{FR2_REFSENS} + 15$ dBm / 46.08 MHz

NOTE 1: $\Delta_{OTAREFSENS}$ as declared in D.43 in table 4.6-1 and clause 10.1.
 NOTE 2: The AWGN power level contains an AWGN offset of 16dB by default. If needed for test purposes, the AWGN level can be reduced from the default by any value in the range 0dB to 16dB. Changing the AWGN level does not impact the validity of the test, as it reduces the effective base band SNR level.
 NOTE 3: $\Delta_{FR2_REFSENS} = -3$ dB as described in clause 10.1, since the OTA REFSENS reference direction (as declared in D.54 in table 4.6-1) is used for testing.
 NOTE 4: $EIS_{REFSENS_50M}$ as declared in D.xx in table 4.6-1.
 NOTE 5: The AWGN power level contains an AWGN offset of 15dB by default. If needed for test purposes, the AWGN level can be reduced from the default by any value in the range 0dB to 15dB. Changing the AWGN level does not impact the validity of the test, as it reduces the effective base band SNR level.

8) The signal generator sends a test pattern with the pattern outlined in figure 11.3.1.4.2-1. The following statistics are kept: the number of ACKs detected in the idle periods and the number of missed ACKs.



Figure 11.3.1.4.2-1: Test signal pattern for single user PUCCH format 0 demodulation tests

11.3.1.5 Test Requirement

11.3.1.5.1 Test requirement for SAN type 1-O

The fraction of falsely detected ACKs shall be less than 1% and the fraction of correctly detected ACKs shall be larger than 99% for the SNR listed in table 11.3.1.5.1-1 and in table 11.3.1.5.1-2.

Table 11.3.1.5.1-1: Required SNR for PUCCH format 0, 15 kHz SCS and 5MHz channel bandwidth

Number of TX antennas	Number of demodulation branches	Propagation conditions and correlation matrix (Annex G)	SNR (dB)
1	1	NTN-TDLA100-200 Low	9.5
	2	NTN-TDLA100-200 Low	3.9

Table 11.3.1.5.1-2: Required SNR for PUCCH format 0, 30 kHz SCS and 10MHz channel bandwidth

Number of TX antennas	Number of demodulation branches	Propagation conditions and correlation matrix (Annex G)	SNR (dB)
1	1	NTN-TDLA100-200 Low	11.7
	2	NTN-TDLA100-200 Low	5.4

11.3.1.5.2 Test requirement for SAN type 2-O

The fraction of falsely detected ACKs shall be less than 1% and the fraction of correctly detected ACKs shall be larger than 99% for the SNR listed in table 11.3.1.5.2-1.

Table 11.3.1.5.2-1: Required SNR for PUCCH format 0, 120 kHz SCS and 50MHz channel bandwidth

Number of TX antennas	Number of demodulation branches	Propagation conditions and correlation matrix (Annex G)	Number of OFDM symbols	SNR (dB)
1	1	NTN-TDLC5-1200 Low	2	[6.9]
	2	NTN-TDLC5-1200 Low	2	[1.9]

11.3.2 Performance requirements for PUCCH format 1

11.3.2.1 NACK to ACK detection

11.3.2.1.1 Definition and applicability

The performance requirement of PUCCH format 1 for NACK to ACK detection is determined by the two parameters: probability of false detection of the ACK and the NACK to ACK detection probability. The performance is measured by the required SNR at probability of the NACK to ACK detection equal to 0.1% or less. The probability of false detection of the ACK shall be 0.01 or less.

The probability of false detection of the ACK is defined as a conditional probability of erroneous detection of the ACK at particular bit position when input is only noise. Each false bit detection is counted as one error.

The NACK to ACK detection probability is the probability of detecting an ACK bit when a NACK bit was sent on particular bit position. Each NACK bit erroneously detected as ACK bit is counted as one error. Erroneously detected NACK bits in the definition do not contain the NACK bits which are mapped from DTX, i.e., NACK bits received when DTX is sent should not be considered.

The transient period as specified in TS 38.101-5 [12] clause 6.3.3 is not taken into account for performance requirement testing, where the RB hopping is symmetric to the CC center, i.e., intra-slot frequency hopping is enabled.

Which specific test(s) are applicable to SAN is based on the test applicability rules defined in clause 11.1.3.

11.3.2.1.2 Minimum Requirement

For SAN type 1-O, the minimum requirement is in TS 38.108 [2], clause 11.3.1.3.

For SAN type 2-O, the minimum requirement is in TS 38.108 [2], clause [11.3.2.3].

11.3.2.1.3 Test purpose

The test shall verify the receiver's ability not to falsely detect NACK bits as ACK bits under multipath fading propagation conditions for a given SNR.

11.3.2.1.4 Method of test

11.3.2.1.4.1 Initial Conditions

Test environment: Normal, see Annex B.2.

RF channels to be tested for single carrier: M; see clause 4.9.1

Direction to be tested: OTA REFSENS receiver target reference direction (see D.44 in table 4.6-1).

11.3.2.1.4.2 Procedure

- 1) Place the SAN with its manufacturer declared coordinate system reference point in the same place as calibrated point in the test system, as shown in annex D.7.
- 2) Align the manufacturer declared coordinate system orientation of the SAN with the test system.
- 3) Set the SAN in the declared direction to be tested.

- 4) Connect the SAN tester generating the wanted signal, multipath fading simulators and AWGN generators to a test antenna via a combining network in OTA test setup, as shown in annex D.7. Each of the demodulation branch signals should be transmitted on one polarization of the test antenna(s).
- 5) The characteristics of the wanted signal shall be configured according to TS 38.211 [8], and according to additional test parameters listed in table 11.3.2.1.4.2-1.

Table 11.3.2.1.4.2-1: Test parameters

Parameter	Test	
	SAN type 1-O	SAN type 2-O
Number of information bits	2	
Number of PRBs	1	
Number of symbols	14	
First PRB prior to frequency hopping	0	
Intra-slot frequency hopping	enabled	
First PRB after frequency hopping	The largest PRB index - (nrofPRBs - 1)	
Group and sequence hopping	neither	
Hopping ID	0	
Initial cyclic shift	0	
First symbol	0	
Index of orthogonal cover code (<i>timeDomainOCC</i>)	0	

- 6) The multipath fading emulators shall be configured according to the corresponding channel model defined in annex G.2.
- 7) Adjust the test signal mean power so the calibrated radiated SNR value at the SAN receiver is as specified in clause 11.3.2.1.5.1 and 11.3.2.1.5.2 for SAN type 1-O and SAN type 2-O respectively, and that the SNR at the SAN receiver is not impacted by the noise floor.

The power level for the transmission may be set such that the AWGN level at the RIB is equal to the AWGN level in table 11.3.2.1.4.2-2.

Table 11.3.2.1.4.2-2: AWGN power level at the SAN input

SAN type	Subcarrier spacing (kHz)	Channel bandwidth (MHz)	AWGN power level
SAN type 1-O (Note 2)	15 kHz	5	-86.5 - $\Delta_{\text{OTAREFSENS}}$ dBm / 4.5 MHz
	30 kHz	10	-83.6 - $\Delta_{\text{OTAREFSENS}}$ dBm / 8.64 MHz
SAN type 2-O (Note 5)	120	50	$E_{\text{ISREFSENS}_{50\text{M}}} + \Delta_{\text{FR2_REFSENS}} + 15$ dBm / 46.08 MHz
NOTE 1: $\Delta_{\text{OTAREFSENS}}$ as declared in D.43 in table 4.6-1 and clause 10.1.			
NOTE 2: The AWGN power level contains an AWGN offset of 16dB by default. If needed for test purposes, the AWGN level can be reduced from the default by any value in the range 0dB to 16dB. Changing the AWGN level does not impact the validity of the test, as it reduces the effective base band SNR level.			
NOTE 3: $\Delta_{\text{FR2_REFSENS}} = -3$ dB as described in clause 10.1, since the OTA REFSENS reference direction (as declared in D.54 in table 4.6-1) is used for testing.			
NOTE 4: $E_{\text{ISREFSENS}_{50\text{M}}}$ as declared in D.xx in table 4.6-1.			
NOTE 5: The AWGN power level contains an AWGN offset of 15dB by default. If needed for test purposes, the AWGN level can be reduced from the default by any value in the range 0dB to 15dB. Changing the AWGN level does not impact the validity of the test, as it reduces the effective base band SNR level.			

- 8) The signal generator sends random codeword from applicable codebook, in regular time periods. The following statistics are kept: the number of ACK bits detected in the idle periods and the number of NACK bits detected as ACK.

11.3.2.1.5 Test Requirement

11.3.2.1.5.1 Test Requirement for SAN type 1-O

The fraction of falsely detected ACK bits shall be less than 1 % and the fraction of NACK bits falsely detected as ACK shall be less than 0.1 % for the SNR listed in tables 11.3.2.1.5.1-1 and table 11.3.2.1.5.1-2.

Table 11.3.2.1.5.1-1: Required SNR for PUCCH format 1 with 15 kHz SCS 5MHz channel bandwidth

Number of TX antennas	Number of demodulation branches	Cyclis Prefix	Propagation conditions and correlation matrix (Annex X)	SNR (dB)
1	1	Normal	NTN-TDLA100-200 Low	2.8
	2	Normal	NTN-TDLA100-200 Low	-3.5

Table 11.3.2.1.5.1-2: Required SNR for PUCCH format 1 with 30 kHz SCS 10MHz channel bandwidth

Number of TX antennas	Number of demodulation branches	Cyclis Prefix	Propagation conditions and correlation matrix (Annex X)	SNR (dB)
1	1	Normal	NTN-TDLA100-200 Low	3.6
	2	Normal	NTN-TDLA100-200 Low	-2.9

11.3.2.1.5.2 Test Requirement for SAN type 2-O

The fraction of falsely detected ACK bits shall be less than 1 % and the fraction of NACK bits falsely detected as ACK shall be less than 0.1 % for the SNR listed in tables 11.3.2.1.5.2-1.

Table 11.3.2.1.5.2-1: Required SNR for PUCCH format 1 with 120 kHz SCS 50MHz channel bandwidth

Number of TX antennas	Number of demodulation branches	Cyclis Prefix	Propagation conditions and correlation matrix (Annex G)	SNR (dB)
1	1	Normal	NTN-TDLC5-1200 Low	[-0.4]
	2	Normal	NTN-TDLC5-1200 Low	[-4.7]

11.3.2.2 ACK missed detection

11.3.2.2.1 Definition and applicability

The performance requirement of PUCCH format 1 for ACK missed detection is determined by the two parameters: probability of false detection of the ACK and the probability of detection of ACK. The performance is measured by the required SNR at probability of detection equal to 0.99. The probability of false detection of the ACK shall be 0.01 or less.

The probability of false detection of the ACK is defined as a conditional probability of erroneous detection of the ACK when input is only noise.

The probability of detection of ACK is defined as conditional probability of detection of the ACK when the signal is present.

The transient period as specified in TS 38.101-5 [12] clause 6.3.3 is not taken into account for performance requirement testing, where the RB hopping is symmetric to the CC center, i.e., intra-slot frequency hopping is enabled.

Which specific test(s) are applicable to SAN is based on the test applicability rules defined in clause 11.1.3.

11.3.2.2.2 Minimum Requirement

For SAN type 1-O, the minimum requirement is in TS 38.108 [2], clause 11.3.1.3.

For SAN type 2-O, the minimum requirement is in TS 38.108 [2], clause [11.3.2.3].

11.3.2.2.3 Test purpose

The test shall verify the receiver's ability to detect ACK bits under multipath fading propagation conditions for a given SNR.

11.3.2.2.4 Method of test

11.3.2.2.4.1 Initial Conditions

Test environment: Normal, see Annex B.2.

RF channels to be tested for single carrier: M; see clause 4.9.1

Direction to be tested: OTA REFSSENS receiver target reference direction (see D.44 in table 4.6-1).

11.3.2.2.4.2 Procedure

- 1) Place the SAN with its manufacturer declared coordinate system reference point in the same place as calibrated point in the test system, as shown in annex D.7.
- 2) Align the manufacturer declared coordinate system orientation of the SAN with the test system.
- 3) Set the SAN in the declared direction to be tested.
- 4) Connect the SAN tester generating the wanted signal, multipath fading simulators and AWGN generators to a test antenna via a combining network in OTA test setup, as shown in annex D.7. Each of the demodulation branch signals should be transmitted on one polarization of the test antenna(s).
- 5) The characteristics of the wanted signal shall be configured according to TS 38.211 [8], and according to additional test parameters listed in table 11.3.2.2.4.2-1.

Table 11.3.2.2.4.2-1: Test Parameters

Parameter	Value	
	SAN type 1-O	SAN type 2-O
Number of information bits	2	
Number of PRBs	1	
Number of symbols	14	
First PRB prior to frequency hopping	0	
Intra-slot frequency hopping	enabled	
First PRB after frequency hopping	The largest PRB index – ($n_{rofPRBS} - 1$)	
Group and sequence hopping	neither	
Hopping ID	0	
Initial cyclic shift	0	
First symbol	0	
Index of orthogonal cover code (<i>timeDomainOCC</i>)	0	

- 6) The multipath fading emulators shall be configured according to the corresponding channel model defined in annex G.2.
- 7) Adjust the test signal mean power so the calibrated radiated SNR value at the SAN receiver is as specified in clause 11.3.2.2.5.1 and 11.3.2.2.5.2 for SAN type 1-O and SAN type 2-O respectively, and that the SNR at the SAN receiver is not impacted by the noise floor.

The power level for the transmission may be set such that the AWGN level at the RIB is equal to the AWGN level in table 11.3.2.2.4.2-2.

Table 11.3.2.2.4.2-2: AWGN power level at the SAN input

SAN type	Subcarrier spacing (kHz)	Channel bandwidth (MHz)	AWGN power level
SAN type 1-O (Note 2)	15 kHz	5	$-86.5 - \Delta_{\text{OTAREFSENS}}$ dBm / 4.5 MHz
	30 kHz	10	$-83.6 - \Delta_{\text{OTAREFSENS}}$ dBm / 8.64 MHz
SAN type 2-O (Note 5)	120	50	$\text{EIS}_{\text{REFSENS}_50\text{M}} + \Delta_{\text{FR2_REFSENS}} + 15$ dBm / 46.08 MHz
NOTE 1: $\Delta_{\text{OTAREFSENS}}$ as declared in D.43 in table 4.6-1 and clause 10.1. NOTE 2: The AWGN power level contains an AWGN offset of 16dB by default. If needed for test purposes, the AWGN level can be reduced from the default by any value in the range 0dB to 16dB. Changing the AWGN level does not impact the validity of the test, as it reduces the effective base band SNR level. NOTE 3: $\Delta_{\text{FR2_REFSENS}} = -3$ dB as described in clause 10.1, since the OTA REFSENS reference direction (as declared in D.54 in table 4.6-1) is used for testing. NOTE 4: $\text{EIS}_{\text{REFSENS}_50\text{M}}$ as declared in D.xx in table 4.6-1. NOTE 5: The AWGN power level contains an AWGN offset of 15dB by default. If needed for test purposes, the AWGN level can be reduced from the default by any value in the range 0dB to 15dB. Changing the AWGN level does not impact the validity of the test, as it reduces the effective base band SNR level.			

- 8) The signal generator sends random codewords from applicable codebook, in regular time periods. The following statistics are kept: the number of ACK bits falsely detected in the idle periods and the number of missed ACK bits. Each falsely detected ACK bit in the idle periods is accounted as one error for the statistics of false ACK detection, and each missed ACK bit is accounted as one error for the statistics of missed ACK detection.

Note that the procedure described in this clause for ACK missed detection has the same condition as that described in clause 11.3.2.1.4.2 for NACK to ACK detection. Both statistics are measured in the same testing.

11.3.2.2.5 Test Requirement

11.3.2.2.5.1 Test Requirement for SAN type 1-O

The fraction of falsely detected ACK bits shall be less than 1% and the fraction of correctly detected ACK bits shall be larger than 99% for the SNR listed in tables 11.3.2.2.5-1 and table 11.3.2.2.5-2.

Table 11.3.2.2.5.1-1: Required SNR for PUCCH format 1 with 15 kHz SCS 5MHz channel bandwidth

Number of TX antennas	Number of demodulation branches	Cyclic Prefix	Propagation conditions and correlation matrix (Annex G)	SNR (dB)
1	1	Normal	NTN-TDLA100-200 Low	2.1
	2	Normal	NTN-TDLA100-200 Low	-4.0

Table 11.3.2.2.5.1-2: Required SNR for PUCCH format 1 with 30 kHz SCS 10MHz channel bandwidth

Number of TX antennas	Number of demodulation branches	Cyclic Prefix	Propagation conditions and correlation matrix (Annex G)	SNR (dB)
1	1	Normal	NTN-TDLA100-200 Low	3.7
	2	Normal	NTN-TDLA100-200 Low	-2.8

11.3.2.2.5.2 Test Requirement for SAN type 2-O

The fraction of falsely detected ACK bits shall be less than 1% and the fraction of correctly detected ACK bits shall be larger than 99% for the SNR listed in tables 11.3.2.2.5.2-1.

Table 11.3.2.2.5.2-1: Required SNR for PUCCH format 1 with 120 kHz SCS 50MHz channel bandwidth

Number of TX antennas	Number of demodulation branches	Cyclis Prefix	Propagation conditions and correlation matrix (Annex G)	SNR (dB)
1	1	Normal	NTN-TDLC5-1200 Low	[-0.8]
	2	Normal	NTN-TDLC5-1200 Low	[-5.3]

11.3.3 Performance requirements for PUCCH format 2

11.3.3.1 ACK missed detection performance requirements

11.3.3.1.1 Definition and applicability

The performance requirement of PUCCH format 2 for ACK missed detection is determined by the two parameters: probability of false detection of the ACK and the probability of detection of ACK on the wanted signal. The performance is measured by the required SNR at probability of detection equal to 0.99. The probability of false detection of the ACK shall be 0.01 or less.

The probability of false detection of the ACK is defined as a probability of erroneous detection of the ACK when input is only noise.

The probability of detection of ACK is defined as probability of detection of the ACK when the signal is present.

Which specific test(s) are applicable to SAN is based on the test applicability rules defined in clause 11.1.3.

The transient period as specified in TS 38.101-5 [12] clause 6.3.3 is not taken into account for performance requirement testing, where the RB hopping is symmetric to the CC center, i.e., intra-slot frequency hopping is enabled.

11.3.3.1.2 Minimum Requirement

For *SAN type 1-O*, the minimum requirement is in TS 38.108 [2] clause 11.3.1.4.

For *SAN type 2-O*, the minimum requirement is in TS 38.108 [2] clause [11.3.2.4].

11.3.3.1.3 Test Purpose

The test shall verify the receiver's ability to detect ACK bits under multipath fading propagation conditions for a given SNR.

11.3.3.1.4 Method of test

11.3.3.1.4.1 Initial conditions

Test environment: Normal, see Annex B.2.

RF channels to be tested for single carrier;M; see clause 4.9.1.

Direction to be tested: OTA REFSSENS *receiver target reference direction* (see D.44 in table.4.6-1).

11.3.3.1.4.2 Procedure

- 1) Place the SAN with its manufacturer declared coordinate system reference point in the same place as calibrated point in the test system, as shown in annex D.7.
- 2) Align the manufacturer declared coordinate system orientation of the SAN with the test system.
- 3) Set the SAN in the declared direction to be tested.

- 4) Connect the SAN tester generating the wanted signal, multipath fading simulators and AWGN generators to a test antenna via a combining network in OTA test setup, as shown in annex D.7. Each of the demodulation branch signals should be transmitted one polarization of the test antenna(s).
- 5) The characteristics of the wanted signal shall be configured according to TS 38.211 [8], and according to additional test parameters listed in table 11.3.3.1.4.2-1.

Table 11.3.3.1.4.2-1: Test parameters

Parameter	Value	
	SAN type 1-O	SAN type 2-O
Modulation order	QPSK	
First PRB prior to frequency hopping	0	
Intra-slot frequency hopping	N/A	
First PRB after frequency hopping	The largest PRB index - (Number of PRBs-1)	
Number of PRBs	4	
Number of symbols	1	
The number of UCI information bits	4	
First symbol	13	
DM-RS sequence generation	$N_{ID}^0=0$	

- 6) The multipath fading emulators shall be configured according to the corresponding channel model defined in annex G.2.
- 7) Adjust the test signal mean power so the calibrated radiated SNR value at the SAN receiver is as specified in clause 11.3.3.1.5.1 and 11.3.3.1.5.2 for SAN type 1-O and SAN type 2-O respectively, and that the SNR at the SAN receiver is not impacted by the noise floor.

The power level for the transmission may be set such that the AWGN level at the RIB is equal to the AWGN level in table 11.3.3.1.4.2-2.

Table 11.3.3.1.4.2-2: AWGN power level at the SAN input

SAN type	Sub-carrier spacing (kHz)	Channel bandwidth (MHz)	AWGN power level
SAN type 1-O (Note 2)	15 kHz	5	$-86.5 - \Delta_{OTAREFSENS}$ dBm / 4.5 MHz
	30 kHz	10	$-83.6 - \Delta_{OTAREFSENS}$ dBm / 8.64 MHz
SAN type 2-O (Note 5)	120 kHz	50	$EIS_{REFSENS_50M} + \Delta_{FR2_REFSENS} + 15$ dBm / 46.08 MHz

NOTE 1: $\Delta_{OTAREFSENS}$ as declared in D.43 in table 4.6-1 and clause 10.1.
 NOTE 2: The AWGN power level contains an AWGN offset of 16dB by default. If needed for test purposes, the AWGN level can be reduced from the default by any value in the range 0dB to 16dB. Changing the AWGN level does not impact the validity of the test, as it reduces the effective base band SNR level.
 NOTE 3: $\Delta_{FR2_REFSENS} = -3$ dB as described in clause 10.1, since the OTA REFSENS reference direction (as declared in D.54 in table 4.6-1) is used for testing.
 NOTE 4: $EIS_{REFSENS_50M}$ as declared in D.xx in table 4.6-1.
 NOTE 5: The AWGN power level contains an AWGN offset of 15dB by default. If needed for test purposes, the AWGN level can be reduced from the default by any value in the range 0dB to 15dB. Changing the AWGN level does not impact the validity of the test, as it reduces the effective base band SNR level.

- 8) The signal generator sends a test pattern with pattern outlined in figure 11.3.3.1.4.2-1. The following statistics are kept: the number of ACK bits detected in the idle periods and the number of missed ACKs.



Figure 11.3.3.1.4.2-1: Test signal pattern for PUCCH format 2 demodulation tests

11.3.3.1.5 Test requirement

11.3.3.1.5.1 Requirements for SAN type 1-O

The fraction of falsely detected ACKs shall be less than 1% and the fraction of correctly detected ACKs shall be larger than 99% for the SNR listed in table 11.3.3.1.5.1-1 and table 11.3.3.1.5.1-2.

Table 11.3.3.1.5.1-1: Required SNR for PUCCH format 2 with 15 kHz SCS 5MHz channel bandwidth

Number of TX antennas	Number of demodulation branches	Cyclic Prefix	Propagation conditions and correlation matrix (Annex G)	SNR (dB)
1	1	Normal	NTN-TDLA100-200 Low	15.2
	2	Normal	NTN-TDLA100-200 Low	5.3

Table 11.3.3.1.5.1-2: Required SNR for PUCCH format 2 with 30 kHz SCS 10MHz channel bandwidth

Number of TX antennas	Number of demodulation branches	Cyclic Prefix	Propagation conditions and correlation matrix (Annex G)	SNR (dB)
1	1	Normal	NTN-TDLA100-200 Low	12.6
	2	Normal	NTN-TDLA100-200 Low	5.0

11.3.3.1.5.2 Requirements for SAN type 2-O

The fraction of falsely detected ACKs shall be less than 1% and the fraction of correctly detected ACKs shall be larger than 99% for the SNR listed in table 11.3.3.1.5.2-1.

Table 11.3.3.1.5.2-1: Required SNR for PUCCH format 2 with 120 kHz SCS 50MHz channel bandwidth

Number of TX antennas	Number of demodulation branches	Cyclic Prefix	Propagation conditions and correlation matrix (Annex G)	SNR (dB)
1	1	Normal	NTN-TDLC5-1200 Low	[5.6]
	2	Normal	NTN-TDLC5-1200 Low	[0.9]

11.3.3.2 UCI BLER performance requirements

11.3.3.2.1 Definition and applicability

The UCI block error probability is defined as the probability of incorrectly decoding the UCI information when the UCI information is sent. The UCI information does not contain CSI part 1 and part 2.

Which specific test(s) are applicable to SAN is based on the test applicability rules defined in clause 11.1.3.

The transient period as specified in TS 38.101-5 [12] clause 6.3.3 is not taken into account for performance requirement testing, where the RB hopping is symmetric to the CC center, i.e., intra-slot frequency hopping is enabled.

11.3.3.2.2 Minimum Requirement

For *SAN type 1-O*, the minimum requirement is in TS 38.108 [2] clause 11.3.1.4.

For *SAN type 2-O*, the minimum requirement is in TS 38.108 [2] clause [11.3.2.4].

11.3.3.2.3 Test Purpose

The test shall verify the receiver's ability to detect UCI under multipath fading propagation conditions for a given SNR.

11.3.3.2.4 Method of test

11.3.3.2.4.1 Initial conditions

Test environment: Normal, see Annex B.2.

RF channels to be tested for single carrier: M ; see clause 4.9.1

Direction to be tested: OTA REFSENS *receiver target reference direction* (see D.44 in table 4.6-1).

11.3.3.2.4.2 Procedure

- 1) Place the SAN with its manufacturer declared coordinate system reference point in the same place as calibrated point in the test system, as shown in annex D.7.
- 2) Align the manufacturer declared coordinate system orientation of the SAN with the test system.
- 3) Set the SAN in the declared direction to be tested.
- 4) Connect the SAN tester generating the wanted signal, multipath fading simulators and AWGN generators to a test antenna via a combining network in OTA test setup, as shown in annex D.7. Each of the demodulation branches signals should be transmitted on each polarization of the test antenna(s).
- 5) The characteristics of the wanted signal shall be configured according to TS 38.211 [8], and according to additional test parameters listed in table 11.3.3.2.4.2-1.

Table 11.3.3.2.4.2-1: Test parameters

Parameter	Value	
	SAN type 1-O	SAN type 2-O
Modulation order	QPSK	
First PRB prior to frequency hopping	0	
Intra-slot frequency hopping	enabled	
First PRB after frequency hopping	The largest PRB index - (Number of PRBs-1)	
Number of PRBs	9	
Number of symbols	2	
The number of UCI information bits	22	
First symbol	12	
DM-RS sequence generation	$N_{ID}^0=0$	

- 6) The multipath fading emulators shall be configured according to the corresponding channel model defined in annex G.2.
- 7) Adjust the test signal mean power so the calibrated radiated SNR value at the SAN receiver is as specified in clause 11.3.3.2.5.1 and 11.3.3.2.5.2 for *SAN type 1-O* and *SAN type 2-O* respectively, and that the SNR at the SAN receiver is not impacted by the noise floor.

The power level for the transmission may be set such that the AWGN level at the RIB is equal to the AWGN level in table 11.3.3.2.4.2-2.

Table 11.3.3.2.4.2-2: AWGN power level at the SAN input

SAN type	Sub-carrier spacing (kHz)	Channel bandwidth (MHz)	AWGN power level
SAN type 1-O (Note 2)	15 kHz	5	-86.5 - $\Delta_{OTAREFSENS}$ dBm / 4.5 MHz
	30 kHz	10	-83.6 - $\Delta_{OTAREFSENS}$ dBm / 8.64 MHz
SAN type 2-O (Note 5)	120	50	$EIS_{REFSENS_50M} + \Delta_{FR2_REFSENS} + 15$ dBm / 46.08 MHz

NOTE 1: $\Delta_{OTAREFSENS}$ as declared in D.43 in table 4.6-1 and clause 10.1.
 NOTE 2: The AWGN power level contains an AWGN offset of 16dB by default. If needed for test purposes, the AWGN level can be reduced from the default by any value in the range 0dB to 16dB. Changing the AWGN level does not impact the validity of the test, as it reduces the effective base band SNR level.
 NOTE 3: $\Delta_{FR2_REFSENS} = -3$ dB as described in clause 10.1, since the OTA REFSSENS reference direction (as declared in D.54 in table 4.6-1) is used for testing.
 NOTE 4: $EIS_{REFSENS_50M}$ as declared in D.xx in table 4.6-1.
 NOTE 5: The AWGN power level contains an AWGN offset of 15dB by default. If needed for test purposes, the AWGN level can be reduced from the default by any value in the range 0dB to 15dB. Changing the AWGN level does not impact the validity of the test, as it reduces the effective base band SNR level.

8) The signal generator sends a test pattern with the pattern outlined in figure 11.3.3.2.4.2-1. The following statistics are kept: the number of incorrectly decoded UCI.



Figure 11.3.3.2.4.2-1: Test signal pattern for PUCCH format 2 demodulation tests

11.3.3.2.5 Test requirement

11.3.3.2.5.1 Requirements for SAN type 1-O

The fraction of incorrectly decoded UCI shall be less than 1% for the SNR listed in table 11.3.3.2.5.1-1 and table 11.3.3.2.5.1-2.

Table 11.3.3.2.5.1-1: Required SNR for PUCCH format 2 with 15 kHz SCS 5MHz channel bandwidth

Number of TX antennas	Number of demodulation branches	Cyclic Prefix	Propagation conditions and correlation matrix (Annex G)	SNR (dB)
1	1	Normal	NTN-TDLA100-200 Low	6.9
	2	Normal	NTN-TDLA100-200 Low	1.4

Table 11.3.3.2.5.1-2: Required SNR for PUCCH format 2 with 30 kHz SCS 10MHz channel bandwidth

Number of TX antennas	Number of demodulation branches	Cyclic Prefix	Propagation conditions and correlation matrix (Annex G)	SNR (dB)
1	1	Normal	NTN-TDLA100-200 Low	7.0
	2	Normal	NTN-TDLA100-200 Low	1.1

11.3.3.2.5.2 Requirements for SAN type 2-O

The fraction of incorrectly decoded UCI shall be less than 1% for the SNR listed in table 11.3.3.2.5.2-1.

Table 11.3.3.2.5.2-1: Required SNR for PUCCH format 2 with 120 kHz SCS 50MHz channel bandwidth

Number of TX antennas	Number of demodulation branches	Cyclis Prefix	Propagation conditions and correlation matrix (Annex G)	SNR (dB)
1	1	Normal	NTN-TDLC5-1200 Low	[4.8]
	2	Normal	NTN-TDLC5-1200 Low	[-1.0]

11.3.4 Performance requirements for PUCCH format 3

11.3.4.1 Definition and applicability

The performance is measured by the required SNR at UCI block error probability not exceeding 1%.

The UCI block error probability is defined as the conditional probability of incorrectly decoding the UCI information when the UCI information is sent. The UCI information does not contain CSI part 1 and part 2.

The transient period as specified in TS 38.101-5 [12] clause 6.3.3 is not taken into account for performance requirement testing, where the RB hopping is symmetric to the CC center, i.e. intra-slot frequency hopping is enabled.

Which specific test(s) are applicable to SAN is based on the test applicability rules defined in clause 11.1.3.

11.3.4.2 Minimum requirement

For *SAN type 1-O*, the minimum requirement is in TS 38.108 [2], clause 11.3.1.5.

For *SAN type 2-O*, the minimum requirement is in TS 38.108 [2], clause [11.3.2.5].

11.3.4.3 Test purpose

The test shall verify the receiver's ability to detect UCI under multipath fading propagation conditions for a given SNR.

11.3.4.4 Method of test

11.3.4.4.1 Initial conditions

Test environment: Normal, see Annex B.2.

RF channels to be tested for single carrier: M; see clause 4.9.1

Direction to be tested:

- OTA REFSENS *receiver target reference direction* (see D.44 in table 4.6-1).

11.3.4.4.2 Procedure

- 1) Place the SAN with its manufacturer declared coordinate system reference point in the same place as calibrated point in the test system, as shown in annex D.7.
- 2) Align the manufacturer declared coordinate system orientation of the SAN with the test system.
- 3) Set the SAN in the declared direction to be tested.
- 4) Connect the SAN tester generating the wanted signal, multipath fading simulators and AWGN generators to a test antenna via a combining network in OTA test setup, as shown in annex D.7. Each of the demodulation branch signals should be transmitted on one polarization of the test antenna(s).
- 5) The characteristics of the wanted signal shall be configured according to TS 38.211 [8], and according to additional test parameters listed in table 11.3.4.4.2-1.

Table 11.3.4.4.2-1: Test parameters

Parameter	Test	
	SAN type 1-O	SAN type 2-O
Modulation order	QPSK	
First PRB prior to frequency hopping	0	
Intra-slot frequency hopping	enabled	
First PRB after frequency hopping	The largest PRB index – (Number of PRBs – 1)	
Group and sequence hopping	neither	
Hopping ID	0	
Number of PRBs	1	
Number of symbols	14	
The number of UCI information bits	16	
First symbol	0	

- 6) The multipath fading emulators shall be configured according to the corresponding channel model defined in annex G.2.
- 7) Adjust the test signal mean power so the calibrated radiated SNR value at the SAN receiver is as specified in clause 11.3.4.5.1 and 11.3.4.5.2 for *SAN type 1-O* and *SAN type 2-O* respectively, and the SNR at the SAN receiver is not impacted by the noise floor.

The power level for the transmission may be set such that the AWGN level at the RIB is equal to the AWGN level in table 11.3.4.4.2-2.

Table 11.3.4.4.2-2: AWGN power level at the SAN input

SAN type	Subcarrier spacing (kHz)	Channel bandwidth (MHz)	AWGN power level
SAN type 1-O (Note 2)	15	5	-86.5 - $\Delta_{\text{OTAREFSENS}}$ dBm / 4.5MHz
	30	10	-83.6 - $\Delta_{\text{OTAREFSENS}}$ dBm / 8.64MHz
SAN type 2-O (Note 5)	120	50	$E_{\text{ISREFSENS}_{50\text{M}}} + \Delta_{\text{FR2_REFSENS}} + 15$ dBm / 46.08 MHz

NOTE 1: $\Delta_{\text{OTAREFSENS}}$ as declared in D.43 in table 4.6-1 and clause 10.1.
NOTE 2: The AWGN power level contains an AWGN offset of 16dB by default. If needed for test purposes, the AWGN level can be reduced from the default by any value in the range 0dB to 16dB. Changing the AWGN level does not impact the validity of the test, as it reduces the effective base band SNR level.
NOTE 3: $\Delta_{\text{FR2_REFSENS}} = -3$ dB as described in clause 10.1, since the OTA REFSSENS reference direction (as declared in D.54 in table 4.6-1) is used for testing.
NOTE 4: $E_{\text{ISREFSENS}_{50\text{M}}}$ as declared in D.xx in table 4.6-1.
NOTE 5: The AWGN power level contains an AWGN offset of 15dB by default. If needed for test purposes, the AWGN level can be reduced from the default by any value in the range 0dB to 15dB. Changing the AWGN level does not impact the validity of the test, as it reduces the effective base band SNR level.

11.3.4.5 Test requirement

11.3.4.5.1 Test requirement for *SAN type 1-O*

The fraction of incorrectly decoded UCI shall be less than 1% for the SNR listed in table 11.3.4.5.1-1 and table 11.3.4.5.1-2.

Table 11.3.4.5.1-1: Required SNR for PUCCH format 3 with 15 kHz SCS 5MHz channel bandwidth

Number of TX antennas	Number of demodulation branches	Cyclic Prefix	Propagation conditions and correlation matrix (Annex G)	Additional DM-RS configuration	SNR (dB)
1	1	Normal	NTN-TDLA100-200 Low	No additional DM-RS	7.2
				Additional DM-RS	7.0
	2	Normal	NTN-TDLA100-200 Low	No additional DM-RS	0.9
				Additional DM-RS	0.6

Table 11.3.4.5.1-2: Required SNR for PUCCH format 3 with 30 kHz SCS 10MHz channel bandwidth

Number of TX antennas	Number of demodulation branches	Cyclic Prefix	Propagation conditions and correlation matrix (Annex G)	Additional DM-RS configuration	SNR (dB)
1	1	Normal	NTN-TDLA100-200 Low	No additional DM-RS	9.8
				Additional DM-RS	9.2
	2	Normal	NTN-TDLA100-200 Low	No additional DM-RS	2.2
				Additional DM-RS	1.9

11.3.4.5.2 Test requirement for *SAN type 2-O*

The fraction of incorrectly decoded UCI shall be less than 1% for the SNR listed in table 11.3.4.5.2-1.

Table 11.3.4.5.2-1: Required SNR for PUCCH format 3 with 120 kHz SCS 50MHz channel bandwidth

Number of TX antennas	Number of demodulation branches	Cyclic Prefix	Propagation conditions and correlation matrix (Annex G)	Additional DM-RS configuration	SNR (dB)
1	1	Normal	NTN-TDLC5-1200 Low	No additional DM-RS	[2.5]
				Additional DM-RS	[2.0]
	2	Normal	NTN-TDLC5-1200 Low	No additional DM-RS	[-1.4]
				Additional DM-RS	[-2.0]

11.3.5 Performance requirements for PUCCH format 4

11.3.5.1 Definition and applicability

The performance is measured by the required SNR at UCI block error probability not exceeding 1%.

The UCI block error probability is defined as the conditional probability of incorrectly decoding the UCI information when the UCI information is sent. The UCI information does not contain CSI part 1 and part 2.

The transient period as specified in TS 38.101-5 [12] clause 6.3.3 is not taken into account for performance requirement testing, where the RB hopping is symmetric to the CC center, i.e., intra-slot frequency hopping is enabled.

Which specific test(s) are applicable to *SAN* is based on the test applicability rules defined in clause 11.1.3.

11.3.5.2 Minimum requirement

For *SAN type 1-O*, the minimum requirement is in TS 38.108 [2], clause 11.3.1.6.

For *SAN type 2-O*, the minimum requirement is in TS 38.108 [2], clause [11.3.2.6].

11.3.5.3 Test purpose

The test shall verify the receiver's ability to detect UCI under multipath fading propagation conditions for a given SNR.

11.3.5.4 Method of test

11.3.5.4.1 Initial conditions

Test environment: Normal, see Annex B.2.

RF channels to be tested for single carrier: M; see clause 4.9.1

Direction to be tested:

- OTA REFSSENS *receiver target reference direction* (see D.44 in table 4.6-1).

11.3.5.4.2 Procedure

- 1) Place the SAN with its manufacturer declared coordinate system reference point in the same place as calibrated point in the test system, as shown in annex D.7.
- 2) Align the manufacturer declared coordinate system orientation of the SAN with the test system.
- 3) Set the SAN in the declared direction to be tested.
- 4) Connect the SAN tester generating the wanted signal, multipath fading simulators and AWGN generators to a test antenna via a combining network in OTA test setup, as shown in annex D.7. Each of the demodulation branch signals should be transmitted on one polarization of the test antenna(s).
- 5) The characteristics of the wanted signal shall be configured according to TS 38.211 [8], and according to additional test parameters listed in table 11.3.4.4.2-1.

Table 11.3.5.4.2-1: Test parameters

Parameter	Value	
	SAN type 1-O	SAN type 2-O
Modulation order	QPSK	
First PRB prior to frequency hopping	0	
Number of PRBS	1	
Intra-slot frequency hopping	enabled	
First PRB after frequency hopping	The largest PRB index - (Number of PRBS - 1)	
Group and sequence hopping	neither	
Hopping ID	0	
Number of symbols	14	
The number of UCI information bits	22	
First symbol	0	
Length of the orthogonal cover code	n2	
Index of the orthogonal cover code	n0	

- 6) The multipath fading emulators shall be configured according to the corresponding channel model defined in annex G.2.
- 7) Adjust the test signal mean power so the calibrated radiated SNR value at the SAN receiver is as specified in clause 11.3.5.5.1 and 11.3.5.5.2 for *SAN type 1-O* and *SAN type 2-O* respectively, and that the SNR at the SAN receiver is not impacted by the noise floor.

The power level for the transmission may be set such that the AWGN level at the RIB is equal to the AWGN level in table 11.3.5.4.2-2.

Table 11.3.5.4.2-2: AWGN power level at the SAN input

SAN type	Subcarrier spacing (kHz)	Channel bandwidth (MHz)	AWGN power level
SAN type 1-O	15	5	-86.5 - $\Delta_{OTAREFSENS}$ dBm / 4.5MHz
	30	10	-83.6 - $\Delta_{OTAREFSENS}$ dBm / 8.64MHz
NOTE 1: $\Delta_{OTAREFSENS}$ as declared in D.43 in table 4.6-1 and clause 10.1.			

Table 11.3.5.4.2-2: AWGN power level at the SAN input

SAN type	Subcarrier spacing (kHz)	Channel bandwidth (MHz)	AWGN power level
SAN type 1-O (Note 2)	15	5	-86.5 - $\Delta_{OTAREFSENS}$ dBm / 4.5MHz
	30	10	-83.6 - $\Delta_{OTAREFSENS}$ dBm / 8.64MHz
SAN type 2-O (Note 5)	120	50	$EIS_{REFSENS_50M} + \Delta_{FR2_REFSENS} + 15$ dBm / 46.08 MHz
NOTE 1: $\Delta_{OTAREFSENS}$ as declared in D.43 in table 4.6-1 and clause 10.1. NOTE 2: The AWGN power level contains an AWGN offset of 16dB by default. If needed for test purposes, the AWGN level can be reduced from the default by any value in the range 0dB to 16dB. Changing the AWGN level does not impact the validity of the test, as it reduces the effective base band SNR level. NOTE 3: $\Delta_{FR2_REFSENS} = -3$ dB as described in clause 10.1, since the OTA REFSENS reference direction (as declared in D.54 in table 4.6-1) is used for testing. NOTE 4: $EIS_{REFSENS_50M}$ as declared in D.xx in table 4.6-1. NOTE 5: The AWGN power level contains an AWGN offset of 15dB by default. If needed for test purposes, the AWGN level can be reduced from the default by any value in the range 0dB to 15dB. Changing the AWGN level does not impact the validity of the test, as it reduces the effective base band SNR level.			

11.3.5.5 Test requirement

11.3.5.5.1 Test requirement for SAN type 1-O

The fraction of incorrectly decoded UCI shall be less than 1% for the SNR listed in table 11.3.5.5.1-1 and table 11.3.5.5.1-2.

Table 11.3.5.5.1-1: Required SNR for PUCCH format 4 with 15 kHz SCS 5MHz channel bandwidth

Number of TX antennas	Number of demodulation branches	Cyclic Prefix	Propagation conditions and correlation matrix (Annex G)	Additional DM-RS configuration	SNR (dB)
1	1	Normal	NTN-TDLA100-200 Low	No additional DM-RS	9.5
				Additional DM-RS	9.2
	2	Normal	NTN-TDLA100-200 Low	No additional DM-RS	3.1
				Additional DM-RS	2.8

Table 11.3.5.5.1-2: Required SNR for PUCCH format 4 with 30 kHz SCS 10MHz channel bandwidth

Number of TX antennas	Number of demodulation branches	Cyclic Prefix	Propagation conditions and correlation matrix (Annex G)	Additional DM-RS configuration	SNR (dB)
1	1	Normal	NTN-TDLA100-200 Low	No additional DM-RS	11.1
				Additional DM-RS	11.1
	2	Normal	NTN-TDLA100-200 Low	No additional DM-RS	4.1
				Additional DM-RS	3.9

11.3.5.5.2 Test requirement for SAN type 2-O

The fraction of incorrectly decoded UCI shall be less than 1% for the SNR listed in table 11.3.5.5.2-1.

Table 11.3.5.5.2-1: Required SNR for PUCCH format 4 with 120 kHz SCS 50MHz channel bandwidth

Number of TX antennas	Number of demodulation branches	Cyclic Prefix	Propagation conditions and correlation matrix (Annex G)	Additional DM-RS configuration	SNR (dB)
1	1	Normal	NTN-TDLC5-1200 Low	No additional DM-RS	TBD
				Additional DM-RS	[6.4]
	2	Normal	NTN-TDLC5-1200 Low	No additional DM-RS	[0.4]
				Additional DM-RS	[0.0]

11.3.6 Performance requirements for multi-slot PUCCH format

11.3.6.1 Performance requirements for multi-slot PUCCH format 1

11.3.6.1.1 NACK to ACK detection

11.3.6.1.1.1 Definition and applicability

The performance requirement of PUCCH format 1 for NACK to ACK detection is determined by the two parameters: probability of false detection of the ACK and the NACK to ACK detection probability. The performance is measured by the required SNR at probability of the NACK to ACK detection equal to 0.1% or less. The probability of false detection of the ACK shall be 0.01 or less.

The probability of false detection of the ACK is defined as a conditional probability of erroneous detection of the ACK at particular bit position when input is only noise. Each false bit detection is counted as one error.

The NACK to ACK detection probability is the probability of detecting an ACK bit when an NACK bit was sent on particular bit position. Each NACK bit erroneously detected as ACK bit is counted as one error. Erroneously detected NACK bits in the definition do not contain the NACK bits which are mapped from DTX, i.e. NACK bits received when DTX is sent should not be considered.

Which specific test(s) are applicable to SAN is based on the test applicability rules defined in clause 11.1.3.

11.3.6.1.1.2 Minimum Requirement

For *SAN type I-O*, the minimum requirement is in TS 38.108 [2], clause 11.3.1.7.

11.3.6.1.1.3 Test purpose

The test shall verify the receiver's ability not to falsely detect NACK bits as ACK bits under multipath fading propagation conditions for a given SNR.

11.3.6.1.1.4 Method of test

11.3.6.1.1.4.1 Initial conditions

Test environment: Normal; see annex B.2.

RF channels to be tested for single carrier: M; see clause 4.9.1

Direction to be tested: OTA REFSENS *receiver target reference direction* (D.44).

11.3.6.1.1.4.2 Procedure

- 1) Place the SAN with its manufacturer declared coordinate system reference point in the same place as calibrated point in the test system, as shown in annex D.7.
- 2) Align the manufacturer declared coordinate system orientation of the SAN with the test system.
- 3) Set the SAN in the declared direction to be tested.
- 4) Connect the SAN tester generating the wanted signal, multipath fading simulators and AWGN generators to a test antenna via a combining network in OTA test setup, as shown in annex D.7. Each of the demodulation branch signals should be transmitted on one polarization of the test antenna(s).
- 5) The characteristics of the wanted signal shall be configured according to TS 38.211 [8], and according to additional test parameters listed in table 11.3.6.1.1.4.2-1.

Table 11.3.6.1.1.4.2-1: Test Parameters for multi-slot PUCCH format 1

Parameter	Test
Number of information bits	2
Number of PRBs	1
Number of symbols	14
First PRB prior to frequency hopping	0
Intra-slot frequency hopping	disabled
Inter-slot frequency hopping	enabled
First PRB after frequency hopping	The largest PRB index - (nrofPRBs - 1)
Group and sequence hopping	neither
Hopping ID	0
Initial cyclic shift	0
First symbol	0
Index of orthogonal cover code (<i>timeDomainOCC</i>)	0
Number of slots for PUCCH repetition	2

- 6) The multipath fading emulators shall be configured according to the corresponding channel model defined in annex G.2.
- 7) Adjust the test signal mean power so the calibrated radiated SNR value at the SAN receiver is as specified in clause 11.3.6.1.1.5.1 for *SAN type 1-O*, and that the SNR at the SAN receiver is not impacted by the noise floor.

The power level for the transmission may be set such that the AWGN level at the RIB is equal to the AWGN level in table 11.3.6.1.1.4.2-2

Table 11.3.6.1.1.4.2-2: AWGN power level at the SAN input

SAN type	Subcarrier spacing (kHz)	Channel bandwidth (MHz)	AWGN power level
SAN type 1-O	15	5	-86.5 - $\Delta_{OTAREFSENS}$ dBm / 4.5MHz
	30	10	-83.6 - $\Delta_{OTAREFSENS}$ dBm / 8.64MHz

NOTE 1: $\Delta_{OTAREFSENS}$ as declared in D.43 in table 4.6-1 and clause 10.1.

- 8) The signal generator sends random codeword from applicable codebook, in regular time periods. The following statistics are kept: the number of ACK bits detected in the idle periods and the number of NACK bits detected as ACK.

11.3.6.1.1.5 Test Requirement

11.3.6.1.1.5.1 Test Requirement for *SAN type 1-O*

The fraction of falsely detected ACK bits shall be less than 1% and the fraction of NACK bits falsely detected as ACK shall be less than 0.1% for the SNR listed in table 11.3.6.1.1.5.1-1 and 11.3.6.1.1.5.1-2.

Table 11.3.6.1.1.5-1: Minimum requirements for multi-slot PUCCH format 1 with 15kHz SCS 5MHz channel bandwidth

Number of TX antennas	Number of demodulation branches	Cyclic Prefix	Propagation conditions and correlation matrix (Annex G)	SNR (dB)
1	1	Normal	NTN-TDLA100-200 Low	1.2
	2	Normal	NTN-TDLA100-200 Low	-6.0

Table 11.3.6.1.1.5-2: Minimum requirements for multi-slot PUCCH format 1 with 30kHz SCS 10MHz channel bandwidth

Number of TX antennas	Number of demodulation branches	Cyclic Prefix	Propagation conditions and correlation matrix (Annex G)	SNR (dB)
1	1	Normal	NTN-TDLA100-200 Low	1.8
	2	Normal	NTN-TDLA100-200 Low	-5.0

11.3.6.1.2 ACK missed detection

11.3.6.1.2.1 Definition and applicability

The performance requirement of PUCCH format 1 for ACK missed detection is determined by the two parameters: probability of false detection of the ACK and the probability of detection of ACK. The performance is measured by the required SNR at probability of detection equal to 0.99. The probability of false detection of the ACK shall be 0.01 or less.

The probability of false detection of the ACK is defined as a conditional probability of erroneous detection of the ACK when input is only noise.

The probability of detection of ACK is defined as conditional probability of detection of the ACK when the signal is present.

11.3.6.1.2.2 Minimum Requirement

For *SAN type I-O*, the minimum requirement is in TS 38.108 [2], clause 11.3.1.7.

11.3.6.1.2.3 Test purpose

The test shall verify the receiver's ability to detect ACK bits under multipath fading propagation conditions for a given SNR.

11.3.6.1.2.4 Method of test

11.3.6.1.2.4.1 Initial Conditions

Test environment: Normal; see annex B.2.

RF channels to be tested for single carrier (SC): M; see clause 4.9.1

Direction to be tested: OTA REFSSENS *receiver target reference direction* (D.44).

11.3.6.1.2.4.2 Procedure

- 1) Place the SAN with its manufacturer declared coordinate system reference point in the same place as calibrated point in the test system, as shown in annex D.7.
- 2) Align the manufacturer declared coordinate system orientation of the SAN with the test system.
- 3) Set the SAN in the declared direction to be tested.
- 4) Connect the SAN tester generating the wanted signal, multipath fading simulators and AWGN generators to a test antenna via a combining network in OTA test setup, as shown in annex D.7. Each of the demodulation branch signals should be transmitted on one polarization of the test antenna(s).
- 5) The characteristics of the wanted signal shall be configured according to TS 38.211 [8], and according to additional test parameters listed in table 11.3.6.1.2.4.2-1.

Table 11.3.6.1.2.4.2-1: Test Parameters for multi-slot PUCCH format 1

Parameter	Value
Number of information bits	2
Number of PRBs	1
Number of symbols	14
First PRB prior to frequency hopping	0
Intra-slot frequency hopping	disabled
Inter-slot frequency hopping	enabled
First PRB after frequency hopping	The largest PRB index - (nrofPRBs - 1)
Group and sequence hopping	neither
Hopping ID	0
Initial cyclic shift	0
First symbol	0
Index of orthogonal cover code (<i>timeDomainOCC</i>)	0
Number of slots for PUCCH repetition	2

- 6) The multipath fading emulators shall be configured according to the corresponding channel model defined in annex G.2.
- 7) Adjust the test signal mean power so the calibrated radiated SNR value at the SAN receiver is as specified in clause 11.3.6.1.2.5.1 for SAN type 1-O, and that the SNR at the SAN receiver is not impacted by the noise floor.

The power level for the transmission may be set such that the AWGN level at the RIB is equal to the AWGN level in table 11.3.6.1.2.4.2-2.

Table 11.3.6.1.2.4.2-2: AWGN power level at the SAN input

SAN type	Subcarrier spacing (kHz)	Channel bandwidth (MHz)	AWGN power level
SAN type 1-O	15	5	-86.5 - ΔOTAREFSENS dBm / 4.5MHz
	30	10	-83.6 - ΔOTAREFSENS dBm / 8.64MHz

NOTE 1: ΔOTAREFSENS as declared in D.43 in table 4.6-1 and clause 10.1.

- 8) The signal generator sends a test pattern with the pattern outlined in figure 11.3.6.1.2.4.2-1. The following statistics are kept: the number of ACKs detected in the idle periods and the number of missed ACKs.



Figure 11.3.6.1.2.4.2-1: Test signal pattern for PUCCH format 1 demodulation tests

11.3.6.1.2.5 Test Requirement

11.3.6.1.2.5.1 Test Requirement for SAN type 1-O

The fraction of falsely detected ACK bits shall be less than 1% and the fraction of correctly detected ACK bits shall be larger than 99% for the SNR listed in table 11.3.6.1.2.5.1-1 and 11.3.6.1.2.5.1-2.

Table 11.3.6.1.2.5-1: Minimum requirements for multi-slot PUCCH format 1 with 15kHz SCS 5MHz channel bandwidth

Number of TX antennas	Number of demodulation branches	Cyclic Prefix	Propagation conditions and correlation matrix (Annex G)	SNR (dB)
1	1	Normal	NTN-TDLA100-200 Low	-1.3
	2	Normal	NTN-TDLA100-200 Low	-7.4

Table 11.3.6.1.2.5-2: Minimum requirements for multi-slot PUCCH format 1 with 30kHz SCS 10MHz channel bandwidth

Number of TX antennas	Number of demodulation branches	Cyclic Prefix	Propagation conditions and correlation matrix (Annex G)	SNR (dB)
1	1	Normal	NTN-TDLA100-200 Low	-0.6
	2	Normal	NTN-TDLA100-200 Low	-7.0

11.4 OTA performance requirements for PRACH

11.4.1 PRACH false alarm probability and missed detection

11.4.1.1 Definition and applicability

The performance requirement of PRACH for preamble detection is determined by the two parameters: total probability of false detection of the preamble (Pfa) and the probability of detection of preamble (Pd). The performance is measured by the required SNR at probability of detection, Pd of 99%. Pfa shall be 0.1% or less.

Pfa is defined as a conditional total probability of erroneous detection of the preamble (i.e. erroneous detection from any detector) when input is only noise.

Pd is defined as conditional probability of detection of the preamble when the signal is present. The erroneous detection consists of several error cases – detecting only different preamble(s) than the one that was sent, not detecting any preamble at all, or detecting the correct preamble but with the out-of-bounds timing estimation value. For AWGN, NTN-TDLA100, and NTN-TDLC5-1200, a timing estimation error occurs if the estimation error of the timing of the strongest path is larger than the time error tolerance values given in table 11.4.1.1-1.

Table 11.4.1.1-1: Time error tolerance for AWGN, NTN-TDLA100, and NTN-TDLC5-1200

PRACH preamble	PRACH SCS (kHz)	Time error tolerance		
		AWGN	NTN-TDLA100	NTN-TDLC5-1200
0	1.25	1.04 us	1.324 us	N/A
2	1.25	1.04 us	1.324 us	N/A
B4, C2	15	0.52 us	0.804 us	N/A
	30	0.26 us	0.544 us	N/A
	120	N/A	N/A	0.13 us

The test preambles are listed in table A.4. Which specific test(s) are applicable to SAN is based on the test applicability rules defined in clause 11.1.3.

11.4.1.2 Minimum requirement

For *SAN type 1-O*, the minimum requirement is in TS 38.108 [2] clause 11.4.1.1 and 11.4.1.2.

For *SAN type 2-O*, the minimum requirement is in TS 38.108 [2] clause 11.4.2.1 and 11.4.2.2.

11.4.1.3 Test purpose

The test shall verify the receiver's ability to detect PRACH preamble under static conditions and multipath fading propagation conditions for a given SNR.

11.4.1.4 Method of test

11.4.1.4.1 Initial conditions

Test environment: Normal, see clause B.2.

RF channels to be tested for single carrier: M, see clause 4.9.1.

Direction to be tested: OTA REFSENS *receiver target reference direction* (see D.44 in table 4.6-1).

11.4.1.4.2 Procedure

- 1) Place the SAN with its manufacturer declared coordinate system reference point in the same place as calibrated point in the test system, as shown in annex D.7.
- 2) Align the manufacturer declared coordinate system orientation of the SAN with the test system.
- 3) Set the SAN in the declared direction to be tested.
- 4) Connect the SAN tester generating the wanted signal, multipath fading simulators and AWGN generators to a test antenna via a combining network in OTA test setup, as shown in annex D.7. Each of the demodulation branch signals should be transmitted on one polarization of the test antenna(s).
- 5) The characteristics of the wanted signal shall be configured according to the corresponding UL reference measurement channel defined in annex A and the test parameter *msg1-FrequencyStart* is set to 0.
- 6) The multipath fading emulators shall be configured according to the corresponding channel model defined in annex G.
- 7) Adjust the AWGN generator, according to the SCS and channel bandwidth. The power level for the transmission may be set such that the AWGN level at the RIB is equal to the AWGN level in table 11.4.1.4.2-1.

Table 11.4.1.4.2-1: AWGN power level at the SAN input

SAN type	Sub-carrier spacing (kHz)	Channel bandwidth (MHz)	AWGN power level
SAN type 1-O (Note 2)	15	5	-83.5 - $\Delta_{OTAREFSENS}$ dBm / 4.5MHz
	30	10	-80.6 - $\Delta_{OTAREFSENS}$ dBm / 8.64MHz
SAN type 2-O (Note 5)	120	50	$EIS_{REFSENS_50M} + \Delta_{FR2_REFSENS} + 15$ dBm / 46.08 MHz

NOTE 1: $\Delta_{OTAREFSENS}$ as declared in D.43 in table 4.6-1 and clause 10.1.
 NOTE 2: The AWGN power level contains an AWGN offset of 16dB by default. If needed for test purposes, the AWGN level can be reduced from the default by any value in the range 0dB to 16dB. Changing the AWGN level does not impact the validity of the test, as it reduces the effective base band SNR level.
 NOTE 3: $\Delta_{FR2_REFSENS} = -3$ dB as described in clause 10.1, since the OTA REFSENS receiver target reference direction (as declared in D.44 in table 4.6-1) is used for testing.
 NOTE 4: $EIS_{REFSENS_50M}$ as declared in D.53 in table 4.6-1.
 NOTE 5: The AWGN power level contains an AWGN offset of 15dB by default. If needed for test purposes, the AWGN level can be reduced from the default by any value in the range 0dB to 15dB. Changing the AWGN level does not impact the validity of the test, as it reduces the effective base band SNR level.

- 8) Adjust the frequency offset of the test signal according to table 11.4.1.5.1-1 or 11.4.1.5.1-2 or 11.4.1.5.1-3 or 11.4.1.5.2-1.
- 9) Adjust the equipment so that the SNR specified in table 11.4.1.5.1-1 or 11.4.1.5.1-2 or 11.4.1.5.1-3 or 11.4.1.5.2-1 is achieved at the SAN input during the PRACH preambles.
- 10) The test signal generator sends a preamble and the receiver tries to detect the preamble. This pattern is repeated as illustrated in figure 11.4.1.4.2-1. The preambles are sent with certain timing offsets as described below. The following statistics are kept: the number of preambles detected in the idle period and the number of missed preambles.



Figure 11.4.1.4.2-1: PRACH preamble test pattern

Unless otherwise stated, the timing offset base value for PRACH preamble format 0 and 2 is set to 50% of N_{cs} . This offset is increased within the loop, by adding in each step a value of 0.1us, until the end of the tested range, which is 0.9us. Then the loop is being reset and the timing offset is set again to 50% of N_{cs} . The timing offset scheme for PRACH preamble format 0 and 2 is presented in Figure 11.4.1.4.2-2.

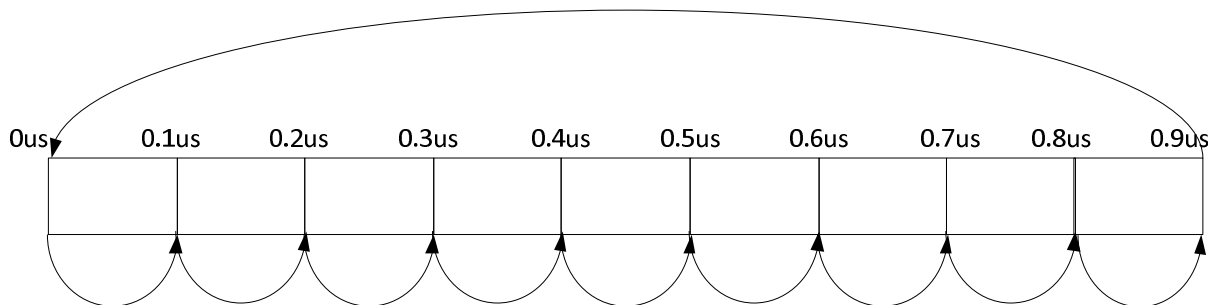


Figure 11.4.1.4.2-2: Timing offset scheme for PRACH preamble format 0 and 2

Unless otherwise stated, the timing offset base value for PRACH preamble format B4 and C2 is set to 0. This offset is increased within the loop, by adding in each step a value of 0.1us, until the end of the tested range, which is 0.8us. Then the loop is being reset and the timing offset is set again to 0. The timing offset scheme for PRACH preamble format B4 and C2 is presented in Figure 11.4.1.4.2-3.

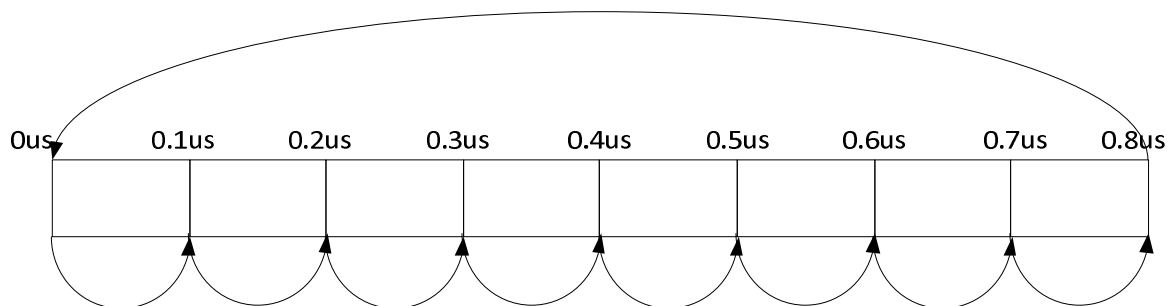


Figure 11.4.1.4.2-3: Timing offset scheme for PRACH preamble format B4 and C2

11.4.1.5 Test requirement

11.4.1.5.1 Test requirement for SAN *type 1-0*

Pfa shall not exceed 0.1%. Pd shall not be below 99% for the SNRs in tables 11.4.1.5.1-1 to 11.4.1.5.1-3.

Table 11.4.1.5.1-1: PRACH missed detection test requirements, 1.25 kHz SCS

Number of TX antennas	Number of demodulation branches	Propagation conditions and correlation matrix (annex G)	Frequency offset	SNR (dB)	
				Burst format 0	Burst format 2
1	1	AWGN	0	-11.7	-17.1
		NTN-TDLA100 Low	200 Hz	1.3	-9.1
	2	AWGN	0	-14.2	-19.5
		NTN-TDLA100 Low	200 Hz	-6.2	-14.3

Table 11.4.1.5.1-2: PRACH missed detection test requirements, 15 kHz SCS

Number of TX antennas	Number of demodulation branches	Propagation conditions and correlation matrix (annex G)	Frequency offset	SNR (dB)	
				Burst format B4	Burst format C2
1	1	AWGN	0	-14.3	-8.9
		NTN-TDLA100 Low	200 Hz	-2.1	2.5
	2	AWGN	0	-16.5	-12.2
		NTN-TDLA100 Low	200 Hz	-8.4	-4.2

Table 11.4.1.5.1-3: PRACH missed detection test requirements, 30 kHz SCS

Number of TX antennas	Number of demodulation branches	Propagation conditions and correlation matrix (annex G)	Frequency offset	SNR (dB)	
				Burst format B4	Burst format C2
1	1	AWGN	0	-14.1	-8.9
		NTN-TDLA100 Low	200 Hz	-3.7	0.7
	2	AWGN	0	-16.2	-11.6
		NTN-TDLA100 Low	200 Hz	-9.4	-5.2

11.4.1.5.2 Test requirement for SAN *type 2-O*

P_{fa} shall not exceed 0.1%. P_d shall not be below 99% for the SNRs in table 11.4.1.5.2-1.

Table 11.4.1.5.2-1: PRACH missed detection test requirements, 120 kHz SCS

Number of TX antennas	Number of demodulation branches	Propagation conditions and correlation matrix (annex G)	Frequency offset	SNR (dB)	
				Burst format B4	Burst format C2
1	1	NTN-TDLC5-1200 Low	3000 Hz	[-5.7]	[-2.7]
	2	NTN-TDLC5-1200 Low	3000 Hz	[-11.3]	[-8.0]

Annex A (normative): Reference measurement channel

A.1 Fixed Reference Channels for RF Rx requirement (QPSK, R=1/3)

The parameters for the reference measurement channels are specified in table A.1-1 for FR1-NTN reference sensitivity level, ACS, out-of-band blocking, in-channel selectivity, OTA sensitivity, OTA reference sensitivity level, OTA ACS, OTA out-of-band blocking and OTA in-channel selectivity.

The reference measurement channels for the dynamic range requirement are captured in annex A.2.

FR2-NTN parameters for the reference measurement channels are specified in table A.1-2.

Table A.1-1: Fixed Reference Channels for SAN Rx requirements, FR1-NTN

Reference channel	G-FR1-NTN-A1-1	G-FR1-NTN-A1-2	G-FR1-NTN-A1-3	G-FR1-NTN-A1-4	G-FR1-NTN-A1-5	G-FR1-NTN-A1-6	G-FR1-NTN-A1-7	G-FR1-NTN-A1-8	G-FR1-NTN-A1-9
Subcarrier spacing (kHz)	15	30	60	15	30	60	15	30	60
Allocated resource blocks	25	11	11	106	51	24	15	6	6
CP-OFDM Symbols per slot (Note 1)	12	12	12	12	12	12	12	12	12
Modulation	QPSK	QPSK	QPSK	QPSK	QPSK	QPSK	QPSK	QPSK	QPSK
Code rate (Note 2)	1/3	1/3	1/3	1/3	1/3	1/3	1/3	1/3	1/3
Payload size (bits)	2152	984	984	9224	4352	2088	1320	528	528
Transport block CRC (bits)	16	16	16	24	24	16	16	16	16
Code block CRC size (bits)	-	-	-	24	-	-	-	-	-
Number of code blocks – C	1	1	1	2	1	1	1	1	1
Code block size including CRC (bits) (Note 3)	2168	1000	1000	4648	4376	2104	1336	544	544
Total number of bits per slot	7200	3168	3168	30528	14688	6912	4320	1728	1728
Total symbols per slot	3600	1584	1584	15264	7344	3456	2160	864	864
NOTE 1: <i>UL-DMRS-config-type</i> = 1 with <i>UL-DMRS-max-len</i> = 1, <i>UL-DMRS-add-pos</i> = 1 with <i>l₀</i> = 2, <i>l</i> = 11 as per table 6.4.1.1.3-3 of TS 38.211 [5].									
NOTE 2: MCS index 4 and target coding rate = 308/1024 are adopted to calculate payload size for receiver sensitivity and in-channel selectivity.									
NOTE 3: Code block size including CRC (bits) equals to <i>K'</i> in clause 5.2.2 of TS 38.212 [7].									

Table A.1-2: Fixed Reference Channels for SAN Rx requirements, FR2-NTN

Reference channel	G-FR2-NTN-A1-1	G-FR2-NTN-A1-2	G-FR2-NTN-A1-3
Subcarrier spacing (kHz)	60	120	120
Allocated resource blocks	66	32	66
CP-OFDM Symbols per slot (Note 1)	12	12	12
Modulation	QPSK	QPSK	QPSK
Code rate (Note 2)	1/3	1/3	1/3
Payload size (bits)	5632	2792	5632
Transport block CRC (bits)	24	16	24
Code block CRC size (bits)	-	-	-
Number of code blocks - C	1	1	1
Code block size including CRC (bits) (Note 3)	5656	2808	5656
Total number of bits per slot	19008	9216	19008
Total symbols per slot	9504	4608	9504
NOTE 1: DM-RS configuration type = 1 with DM-RS duration = single-symbol DM-RS, additional DM-RS position = pos1 with $l_0 = 2$, $l = 11$ as per table 6.4.1.1.3-3 of TS 38.211 [8].			
NOTE 2: MCS index 4 and target coding rate = 308/1024 are adopted to calculate payload size.			
NOTE 3: Code block size including CRC (bits) equals to K' in clause 5.2.2 of TS 38.212 [7].			

A.2 Fixed Reference Channels for dynamic range (16QAM, R=2/3)

The parameters for the reference measurement channels are specified in table A.2-1 for FR1-NTN dynamic range and OTA dynamic range.

Table A.2-1: Fixed Reference Channels for dynamic range and OTA dynamic range, FR1-NTN

Reference channel	G-FR1-NTN-A2-1	G-FR1-NTN-A2-2	G-FR1-NTN-A2-3	G-FR1-NTN-A2-4	G-FR1-NTN-A2-5	G-FR1-NTN-A2-6
Subcarrier spacing (kHz)	15	30	60	15	30	60
Allocated resource blocks	25	11	11	106	51	24
CP-OFDM Symbols per slot (Note 1)	12	12	12	12	12	12
Modulation	16QAM	16QAM	16QAM	16QAM	16QAM	16QAM
Code rate (Note 2)	2/3	2/3	2/3	2/3	2/3	2/3
Payload size (bits)	9224	4032	4032	38936	18960	8968
Transport block CRC (bits)	24	24	24	24	24	24
Code block CRC size (bits)	24	-	-	24	24	24
Number of code blocks - C	2	1	1	5	3	2
Code block size including CRC (bits) (Note 3)	4648	4056	4056	7816	6352	4520
Total number of bits per slot	14400	6336	6336	61056	29376	13824
Total symbols per slot	3600	1584	1584	15264	7344	3456
NOTE 1: DM-RS configuration type = 1 with DM-RS duration = single-symbol DM-RS, additional DM-RS position = pos1 with $l_0 = 2$, $l = 11$ as per table 6.4.1.1.3-3 of TS 38.211 [5].						
NOTE 2: MCS index 16 and target coding rate = 658/1024 are adopted to calculate payload size.						
NOTE 3: Code block size including CRC (bits) equals to K' in clause 5.2.2 of TS 38.212 [7].						

A.3 Fixed Reference Channels for performance requirements (QPSK, R=308/1024)

The parameters for the reference measurement channels are specified in table A.3-1 to table A.3-3 for FR1-NTN PUSCH performance requirements:

- FRC parameters are specified in table A.3-1 for FR1-NTN PUSCH with transform precoding disabled, additional DM-RS position = pos1 and 1 transmission layer.
- FRC parameters are specified in table A.3-2 for FR1-NTN PUSCH with transform precoding enabled, additional DM-RS position = pos1 and 1 transmission layer.
- FRC parameters are specified in table A.3-3 for FR1-NTN PUSCH with transform precoding disabled, additional DM-RS position = pos1 and 1 transmission layer.
- FRC parameters are specified in table A.3-4 for FR1-NTN PUSCH with transform precoding disabled, additional DM-RS position = pos1 and 1 transmission layer.

Table A.3-1: FRC parameters for FR1-NTN PUSCH performance requirements, transform precoding disabled, additional DM-RS position = pos1 and 1 transmission layer (QPSK, R=308/1024)

Reference channel	G-FR1-NTN-A3-1	G-FR1-NTN-A3-2
Subcarrier spacing (kHz)	15	30
Allocated resource blocks	25	24
CP-OFDM Symbols per slot (Note 1)	12	12
MCS table	64QAM	64QAM
Modulation	QPSK	QPSK
Code rate (Note 2)	308/1024	308/1024
Payload size (bits)	2152	2088
Transport block CRC (bits)	16	16
Code block CRC size (bits)	-	-
Number of code blocks - C	1	1
Code block size including CRC (bits) (Note 2)	2168	2104
Total number of bits per slot	7200	6912
Total symbols per slot	3600	3456
NOTE 1: DM-RS configuration type = 1 with DM-RS duration = single-symbol DM-RS and the number of DM-RS CDM groups without data is 2, Additional DM-RS position = pos1, and $l_0=2$ and $l=11$ for PUSCH mapping type A, $l_0=0$ and $l=10$ for PUSCH mapping type B as per table 6.4.1.1.3-3 of TS 38.211 [8].		
NOTE 2: Code block size including CRC (bits) equals to K' in clause 5.2.2 of TS 38.212 [7].		

Table A.3-2: FRC parameters for FR1-NTN PUSCH performance requirements, transform precoding enabled, additional DM-RS position = pos1 and 1 transmission layer (QPSK, R=308/1024)

Reference channel	G-FR1-NTN-A3-3	G-FR1-NTN-A3-4
Subcarrier spacing (kHz)	15	30
Allocated resource blocks	25	24
MCS table	64QAM	64QAM
CP-OFDM Symbols per slot (Note 1)	12	12
Modulation	QPSK	QPSK
Code rate (Note 2)	308/1024	308/1024
Payload size (bits)	2152	2088
Transport block CRC (bits)	16	16
Code block CRC size (bits)	-	-
Number of code blocks - C	1	1
Code block size including CRC (bits) (Note 2)	2168	2104
Total number of bits per slot	7200	6912
Total symbols per slot	3600	3456
NOTE 1: DM-RS configuration type = 1 with DM-RS duration = single-symbol DM-RS and the number of DM-RS CDM groups without data is 2, Additional DM-RS position = pos1, and $l_0=2$ and $l=11$ for PUSCH mapping type A, $l_0=0$ and $l=10$ for PUSCH mapping type B as per table 6.4.1.1.3-3 of TS 38.211 [8].		
NOTE 2: Code block size including CRC (bits) equals to K' in clause 5.2.2 of TS 38.212 [7].		

Table A.3-3: FRC parameters for FR1-NTN PUSCH performance requirements, transform precoding disabled, additional DM-RS position = pos1 and 1 transmission layer (QPSK, R=308/1024)

Reference channel	G-FR1-NTN-A3-5	G-FR1-NTN-A3-6
Subcarrier spacing (kHz)	15	30
Allocated resource blocks	12	12
CP-OFDM Symbols per slot (Note 1)	12	12
MCS table	64QAM	64QAM
Modulation	QPSK	QPSK
Code rate (Note 2)	308/1024	308/1024
Payload size (bits)	1032	1032
Transport block CRC (bits)	16	16
Code block CRC size (bits)	-	-
Number of code blocks - C	1	1
Code block size including CRC (bits) (Note 2)	1048	1048
Total number of bits per slot	3456	3456
Total symbols per slot	1728	1728
NOTE 1: DM-RS configuration type = 1 with DM-RS duration = single-symbol DM-RS and the number of DM-RS CDM groups without data is 2, Additional DM-RS position = pos1, and $l_0 = 2$ and $l = 11$ for PUSCH mapping type A, $l_0 = 0$ and $l = 10$ for PUSCH mapping type B as per table 6.4.1.1.3-3 of TS 38.211 [8].		
NOTE 2: Code block size including CRC (bits) equals to K' in clause 5.2.2 of TS 38.212 [7].		

Table A.3-4: FRC parameters for FR1-NTN PUSCH performance requirements, transform precoding disabled, additional DM-RS position = pos1 and 1 transmission layer (QPSK, R=308/1024)

Reference channel	G-FR1-NTN-A3-7	G-FR1-NTN-A3-8
Subcarrier spacing (kHz)	15	30
Allocated resource blocks	6	6
CP-OFDM Symbols per slot (Note 1)	12	12
MCS table	64QAM	64QAM
Modulation	QPSK	QPSK
Code rate (Note 2)	308/1024	308/1024
Payload size (bits)	528	528
Transport block CRC (bits)	16	16
Code block CRC size (bits)	-	-
Number of code blocks - C	1	1
Code block size including CRC (bits) (Note 2)	544	544
Total number of bits per slot	1728	1728
Total symbols per slot	864	864
NOTE 1: DM-RS configuration type = 1 with DM-RS duration = single-symbol DM-RS and the number of DM-RS CDM groups without data is 2, Additional DM-RS position = pos1, and $l_0 = 2$ and $l = 11$ for PUSCH mapping type A and $l_0 = 0$ and $l = 10$ for PUSCH mapping type B, as per table 6.4.1.1.3-3 of TS 38.211 [8].		
NOTE 2: Code block size including CRC (bits) equals to K' in clause 5.2.2 of TS 38.212 [7].		

A.3A Fixed Reference Channels for performance requirements (QPSK, R=99/1024)

The parameters for the reference measurement channel are specified in table A.3A-1 for FR1-NTN PUSCH performance requirements:

- FRC parameters are specified in table A.3A-1 for FR1-NTN PUSCH with transform precoding disabled, additional DM-RS position = pos1 and 1 transmission layer.

The parameters for the reference measurement channel are specified in table A.3A-2 for FR2-NTN PUSCH performance requirements:

- FRC parameters are specified in table A.3A-2 for FR2-NTN PUSCH with transform precoding disabled, additional DM-RS position = pos1 and 1 transmission layer.

Table A.3A-1: FRC parameters for FR1-NTN PUSCH performance requirements, transform precoding disabled, additional DM-RS position = pos1 and 1 transmission layer (QPSK, R=99/1024)

Reference channel	G-FR1-NTN-A3A-1	G-FR1-NTN-A3A-2
Subcarrier spacing (kHz)	15	30
Allocated resource blocks	25	24
CP-OFDM Symbols per slot (Note 1)	12	12
MCS table	64QAMLowSE	64QAMLowSE
Modulation	QPSK	QPSK
Code rate (Note 2)	99/1024	99/1024
Payload size (bits)	704	672
Transport block CRC (bits)	16	16
Code block CRC size (bits)	-	-
Number of code blocks - C	1	1
Code block size including CRC (bits) (Note 2)	720	688
Total number of bits per slot	7200	6912
Total symbols per slot	3600	3456
NOTE 1: DM-RS configuration type = 1 with DM-RS duration = single-symbol DM-RS and the number of DM-RS CDM groups without data is 2, Additional DM-RS position = pos1, and $l_0=2$ and $l=11$ for PUSCH mapping type A, and $l_0=0$ and $l=10$ for PUSCH type B, as per table 6.4.1.1.3-3 of TS 38.211 [8].		
NOTE 2: Code block size including CRC (bits) equals to K' in clause 5.2.2 of TS 38.212 [7].		

Table A.3A-2: FRC parameters for FR2-NTN PUSCH performance requirements, transform precoding disabled, additional DM-RS position = pos1 and 1 transmission layer (QPSK, R=99/1024)

Reference channel	G-FR2-NTN-A3A-1
Subcarrier spacing (kHz)	120
Allocated resource blocks	32
CP-OFDM Symbols per slot (Note 1)	8
MCS table	64QAMLowSE
Modulation	QPSK
Code rate (Note 2)	99/1024
Payload size (bits)	608
Transport block CRC (bits)	16
Code block CRC size (bits)	-
Number of code blocks - C	1
Code block size including CRC (bits) (Note 2)	624
Total number of bits per slot	6144
Total symbols per slot	3072
NOTE 1: DM-RS configuration type = 1 with DM-RS duration = single-symbol DM-RS and the number of DM-RS CDM groups without data is 2, Additional DM-RS position = pos1, and $l_0=0$ and $l=8$ for PUSCH mapping type B, as per table 6.4.1.1.3-3 of TS 38.211 [8].	
NOTE 2: Code block size including CRC (bits) equals to K' in clause 5.2.2 of TS 38.212 [7].	

A.4 PRACH test preambles

Table A.4-1 Test preambles in FR1-NTN

Burst format	SCS (kHz)	Ncs	Logical sequence index	v
0	1.25	13	22	32
2	1.25	13	22	32
B4, C2	15	23	0	0
	30	46	0	0

Table A.4-2 Test preambles in FR2-NTN

Burst format	SCS (kHz)	Ncs	Logical sequence index	v
B4, C2	120	69	0	0

A.5 Fixed Reference Channels for performance requirements (QPSK, R=193/1024)

The parameters for the reference measurement channels are specified in table A.5-1 to table A.5-2 for FR2-NTN PUSCH performance requirements:

- FRC parameters are specified in table A.5-1 for FR2-NTN PUSCH with transform precoding disabled, additional DM-RS position = pos1 and 1 transmission layer.
- FRC parameters are specified in table A.5-2 for FR2-NTN PUSCH with transform precoding enabled, additional DM-RS position = pos1 and 1 transmission layer.

Table A.5-1: FRC parameters for FR2-NTN PUSCH performance requirements, transform precoding disabled, additional DM-RS position = pos1 and 1 transmission layer (QPSK, R=193/1024)

Reference channel	G-FR2-NTN-A5-1
Subcarrier spacing (kHz)	120
Allocated resource blocks	32
CP-OFDM Symbols per slot (Note 1)	8
MCS table	64QAM
Modulation	QPSK
Code rate (Note 2)	193/1024
Payload size (bits)	1160
Transport block CRC (bits)	16
Code block CRC size (bits)	-
Number of code blocks - C	1
Code block size including CRC (bits) (Note 2)	1176
Total number of bits per slot	6144
Total symbols per slot	3072
NOTE 1: DM-RS configuration type = 1 with DM-RS duration = single-symbol DM-RS and the number of DM-RS CDM groups without data is 2, Additional DM-RS position = pos1, and $l_0=0$ and $l=8$ for PUSCH mapping type B, as per table 6.4.1.1.3-3 of TS 38.211 [8].	
NOTE 2: Code block size including CRC (bits) equals to K' in clause 5.2.2 of TS 38.212 [7].	

Table A.5-2: FRC parameters for FR2-NTN PUSCH performance requirements, transform precoding enabled, additional DM-RS position = pos1 and 1 transmission layer (QPSK, R=193/1024)

Reference channel	G-FR2-NTN-A5-2
Subcarrier spacing (kHz)	120
Allocated resource blocks	30
DFT-s-OFDM Symbols per slot (Note 1)	8
MCS table	64QAM
Modulation	QPSK
Code rate (Note 2)	193/1024
Payload size (bits)	1128
Transport block CRC (bits)	16
Code block CRC size (bits)	-
Number of code blocks - C	1
Code block size including CRC (bits) (Note 2)	1144
Total number of bits per slot	5760
Total symbols per slot	2880
NOTE 1: DM-RS configuration type = 1 with DM-RS duration = single-symbol DM-RS and the number of DM-RS CDM groups without data is 2, Additional DM-RS position = pos1, and $l_0=0$ and $l=8$ for PUSCH mapping type B, as per table 6.4.1.1.3-3 of TS 38.211 [8].	
NOTE 2: Code block size including CRC (bits) equals to K' in clause 5.2.2 of TS 38.212 [7].	

A.6 Fixed Reference Channels for performance requirements (16QAM, R=434/1024)

The parameters for the reference measurement channels are specified in table A.6-1 for FR2-NTN PUSCH performance requirements:

- FRC parameters are specified in table A.6-1 for FR2-NTN PUSCH with transform precoding disabled, additional DM-RS position = pos1 and 1 transmission layer.

Table A.6-1: FRC parameters for FR2-NTN PUSCH performance requirements, transform precoding disabled, additional DM-RS position = pos1 and 1 transmission layer (16QAM, R=434/1024)

Reference channel	G-FR2-NTN-A6-1
Subcarrier spacing (kHz)	120
Allocated resource blocks	32
CP-OFDM Symbols per slot (Note 1)	8
MCS table	64QAM
Modulation	16QAM
Code rate (Note 2)	434/1024
Payload size (bits)	5248
Transport block CRC (bits)	24
Code block CRC size (bits)	-
Number of code blocks - C	1
Code block size including CRC (bits) (Note 2)	5272
Total number of bits per slot	12288
Total symbols per slot	3072
NOTE 1: DM-RS configuration type = 1 with DM-RS duration = single-symbol DM-RS and the number of DM-RS CDM groups without data is 2, Additional DM-RS position = pos1, and $l_0=0$ and $l=8$ for PUSCH mapping type B, as per table 6.4.1.1.3-3 of TS 38.211 [8].	
NOTE 2: Code block size including CRC (bits) equals to K' in clause 5.2.2 of TS 38.212 [7].	

Annex B (informative): Environmental requirements for the SAN equipment

B.1 General

For each test in the present document, the environmental conditions under which the SAN is to be tested are defined.

For OTA requirements where it is not possible to environmentally control the entire calibrated OTA chamber either localised control of the SAN hardware or alternative OTA measurements which are then related to the original specification are acceptable, see annex B.6.

SAN involves two categories of equipment, differentiated by the operation environment:

- Equipment deployed in space as part of Satellite Payload RF (SPRF)
- Equipment deployed on the ground (SAN terrestrial equipment).

B.2 Normal test environment

B.2.1 Normal test environment for SPRF

When a normal test environment is specified for a test, the SPRF shall be tested within the minimum and maximum limits of the conditions stated in table B.2.1-1.

Additional environmental parameters specific to space operation might be considered and included in test report.

Table B.2.1.-1: Limits of conditions for normal test environment for SPRF

Condition	SAN declarations listed in Table 4.6-1
Barometric pressure	Range of values as declared in D.54
Temperature	Range of values as declared in D.55
Relative humidity	Range of values as declared in D.56
Power supply	Nominal, as declared by the manufacturer in D.59.
Vibration	As declared by manufacturer in D.57.
Other additional parameters	As declared by manufacturer in D58.
NOTE: Space operation conditions are defined outside 3GPP and are depending on characteristics of each application.	

B.2.2 Normal test environment for SAN terrestrial equipment

When a normal test environment is specified for a test, the SAN terrestrial equipment shall be tested within the minimum and maximum limits of the conditions stated in table B.2.2-1.

Table B.2.2.-1: Limits of conditions for normal test environment for SAN terrestrial equipment

Condition	Minimum	Maximum
Barometric pressure	86 kPa	106 kPa
Temperature	15 °C	30 °C
Relative humidity	20 %	85 %
Power supply	Nominal, as declared by the manufacturer	
Vibration	Negligible	

The ranges of barometric pressure, temperature and humidity represent the maximum variation expected in the uncontrolled environment of a test laboratory. If it is not possible to maintain these parameters within the specified limits, the actual values shall be recorded in the test report.

B.3 Void

B.4 Vibration

When vibration conditions are specified for a test, the test shall be performed while the equipment is subjected to a vibration sequence as defined by the manufacturer's declaration for the equipment under test.

For SPRF this shall use the environment test equipment and methods including the required environmental phenomena into the equipment, conforming to the test procedures specific to space equipment, as declared by the manufacturer. For SAN terrestrial equipment this shall use the environmental test equipment and methods of inducing the required environmental phenomena in to the equipment, conforming to the test procedure of IEC 60 068-2-6 [16]. Other environmental conditions shall be within the ranges specified in annex B.2. It is allowed to exclude from this test condition the equipment which is difficult to include due to size limitations. Such exclusion shall be recorded in the test report.

NOTE: The higher levels of vibration may induce undue physical stress in to equipment after a prolonged series of tests. The testing body should only vibrate the equipment during the RF measurement process.

B.5 Measurement of test environment

The measurement accuracy of the test environments defined in annex B shall be:

Pressure: ± 5 kPa

Temperature: ± 2 degrees

Relative humidity: ± 5 %

DC voltage: ± 1.0 %

AC voltage: ± 1.5 %

Vibration: 10 %

Vibration frequency: 0.1 Hz

The above values shall apply unless the test environment is otherwise controlled and the specification for the control of the test environment specifies the uncertainty for the parameter.

Annex C (informative): Test tolerances and derivation of test requirements

The test requirements explicitly defined in this specification have been calculated by relaxing the minimum requirements of the core specification TS 38.108 [2] using the test tolerances (TT) defined here. When the TT value is zero, the test requirement will be the same as the minimum requirement. When the TT value is non-zero, the test requirements will differ from the minimum requirements, and the formula used for this relaxation is given in the following tables.

The TT_{OTA} values are derived from OTA Test System uncertainties, regulatory requirements and criticality to system performance. As a result, the TT_{OTA} values may sometimes be set to zero.

The TT_{OTA} values should not be modified for any reason e.g. to take account of commonly known OTA Test System errors (such as mismatch, cable loss, etc.).

Note that a formula for applying TT_{OTA} values is provided for all OTA tests, even those with a test tolerance of zero. This is necessary in the case where the OTA Test System uncertainty is greater than that allowed in clause 4.1.2. In this event, the excess error can be subtracted from the defined TT_{OTA} value in order to generate the correct tightened test requirements as defined in this annex.

C.1 Measurement of transmitter

Table C.1-1: Derivation of test requirements for conducted transmitter tests

Test	Minimum requirement in TS 38.108 [2]	Test Tolerance (TT)	Test requirement in the present document
6.2 SAN output power	clause 6.2	0.7 dB	Formula: Upper limit + TT, Lower limit - TT
6.3 Output power dynamics	clause 6.3	0.4 dB	Formula: Total power dynamic range - TT (dB)
6.5.1 Frequency error	clause 6.5.1	12 Hz	Formula: Frequency Error limit + TT
6.5.2 Modulation quality (EVM)	clause 6.5.2	1%	Formula: EVM limit + TT
6.6.2 Occupied bandwidth	clause 6.6.2	0 Hz	Formula: Minimum Requirement + TT
6.6.3 Adjacent Channel Leakage Power Ratio (ACLR)	clause 6.6.3	ACLR: BW \leq 20MHz: 0.8dB	Formula: ACLR Minimum Requirement - TT
6.6.4 Out-of-band emissions	clause 6.6.4	0dB	Formula: Minimum Requirement + TT
6.6.5 Transmitter spurious emissions	clause 6.6.5	0dB	Formula: Minimum Requirement + TT

NOTE 1: TT values are applicable for normal condition unless otherwise stated.

Table C.1-2: Derivation of test requirements for FR1-NTN OTA transmitter tests

Test	Minimum requirement in TS 38.108 [2]	Test Tolerance (TT _{OTA})	Test requirement in the present document
9.2 Radiated transmit power	clause 9.2	1.1 dB	Formula: Upper limit + TT, Lower limit – TT
9.3 OTA SAN output power	clause 9.3	1.4 dB	Formula: Upper limit + TT, Lower limit – TT
9.4 OTA output power dynamics	clause 9.4	0.4 dB	Formula: Total power dynamic range – TT
9.6.1 OTA frequency Error	clause 9.6.1	12 Hz	Formula: Frequency Error limit + TT
9.6.2 OTA Modulation quality (EVM)	clause 9.6.2	1%	Formula: EVM limit + TT
9.7.2 OTA occupied bandwidth	clause 9.7.2	0 Hz	Formula: Minimum Requirement + TT
9.7.3 OTA Adjacent Channel Leakage Power Ratio (ACLR)	clause 9.7.3	Relative:1 dB	Formula: Relative limit - TT
9.7.4 OTA out-of-band emissions	clause 9.7.4	0 dB	Formula: Minimum Requirement + TT
9.7.5.2 General transmitter spurious emissions	clause 9.7.5.2.2	0 dB	Formula: Minimum Requirement + TT

NOTE: TT values are applicable for normal condition unless otherwise stated.

Table C.1-3: Derivation of test requirements for FR2-NTN OTA transmitter tests

Test	Minimum requirement in TS 38.108 [2]	Test Tolerance (TT _{OTA})	Test requirement in the present document
9.2 Radiated transmit power	clause 9.2	Normal conditions: 1.7 dB Extreme conditions: 3.1 dB	Formula: Upper limit + TT, Lower limit – TT
9.3 OTA SAN output power	clause 9.3	2.1 dB	Formula: Upper limit + TT, Lower limit – TT
9.4 OTA output power dynamics	clause 9.4	0.4 dB	Formula: Total power dynamic range – TT
9.6.1 OTA frequency Error	clause 9.6.1	12 Hz	Formula: Frequency Error limit + TT
9.6.2 OTA Modulation quality (EVM)	clause 9.6.2	1%	Formula: EVM limit + TT
9.7.2 OTA occupied bandwidth	clause 9.7.2	0 Hz	Formula: Minimum Requirement + TT
9.7.3 OTA Adjacent Channel Leakage Power Ratio (ACLR)	clause 9.7.3	Relative:2.3 dB	Formula: Relative limit - TT
9.7.4 OTA out-of-band emissions	clause 9.7.4	0 dB	Formula: Minimum Requirement + TT
9.7.5.2 General transmitter spurious emissions	clause 9.7.5.2.2	0 dB	Formula: Minimum Requirement + TT

NOTE: TT values are applicable for normal condition unless otherwise stated.

C.2 Measurement of receiver

Table C.2-1: Derivation of test requirements for conducted receiver tests

Test	Minimum requirement in TS 38.108 [2]	Test Tolerance (TT)	Test requirement in the present document
7.2 Reference sensitivity level	clause 7.2	0.7 dB	Formula: Reference sensitivity power level + TT
7.3 Dynamic range	clause 7.3	0.3 dB	Formula: Wanted signal power + TT
7.4 In-band selectivity and blocking	clause 7.4	0dB	Formula: Wanted signal power + TT
7.5 Out-of-band blocking	clause 7.5	0dB	Formula: Wanted signal power + TT
7.8 In-channel selectivity	clause 7.8	1.4 dB	Formula: Wanted signal power + TT

NOTE: TT values are applicable for normal condition unless otherwise stated.

Table C.2-2: Derivation of test requirements for FR1-NTN OTA receiver tests

Test	Minimum requirement in TS 38.108 [2]	Test Tolerance (TT _{OTA})	Test requirement in the present document
10.2 OTA sensitivity	clause 10.2	1.3 dB	Formula: Declared Minimum EIS + TT
10.3 OTA reference sensitivity level	clause 10.3	1.3 dB	Formula: EIS _{REFSENS} + TT
10.4 OTA dynamic range	clause 10.4	0.3 dB	Formula: Wanted signal power + TT Interferer signal power unchanged.
10.5.1 OTA adjacent channel selectivity	clause 10.5.1	0 dB	Formula: Wanted signal power + TT Interferer signal power unchanged.
10.6 OTA out-of-band blocking	clause 10.6	0 dB	Formula: Wanted signal power + TT
10.9 OTA in-channel selectivity	clause 10.9	1.7 dB	Formula: Wanted signal power + TT Interferer signal power unchanged

NOTE: TT values are applicable for normal condition unless otherwise stated.

Table C.2-3: Derivation of test requirements for FR2-NTN OTA receiver tests

Test	Minimum requirement in TS 38.108 [2]	Test Tolerance (TT _{OTA})	Test requirement in the present document
10.3 OTA reference sensitivity level	clause 10.3	2.4 dB	Formula: EIS _{REFSENS} + TT
10.5.1 OTA adjacent channel selectivity	clause 10.5.1	0 dB	Formula: Wanted signal power + TT Interferer signal power unchanged.
10.6 OTA out-of-band blocking	clause 10.6	0 dB	Formula: Wanted signal power + TT
10.9 OTA in-channel selectivity	clause 10.9	3.4 dB	Formula: Wanted signal power + TT Interferer signal power unchanged

NOTE: TT values are applicable for normal condition unless otherwise stated.

C.3 Measurement of performance requirements

Table C.3-1: Derivation of Test Requirements (Performance tests)

Test	Minimum Requirement in TS 38.108 [2]	Test Tolerance (TT)	Test requirement in the present document
8.2.1 Performance requirements for PUSCH with transform precoding disabled	SNRs as specified	[0.6] dB for 1Tx cases	Formula: SNR + TT T-put limit unchanged
8.2.2 Performance requirements for PUSCH with transform precoding enabled	SNRs as specified	[0.6] dB	Formula: SNR + TT T-put limit unchanged
8.2.3 Performance requirements for UL timing adjustment	SNRs as specified	[0.3] dB for AWGN	Formula: SNR + TT T-put limit unchanged
8.2.4 Performance requirements for PUSCH repetition Type A	SNRs as specified	[0.6] dB	Formula: SNR + TT T-put limit unchanged
8.2.5 Performance requirements for PUSCH with DM-RS bundling	SNRs as specified	[0.6] dB	Formula: SNR + TT T-put limit unchanged
8.3.1 Performance requirements for PUCCH format 0	SNRs as specified	[0.6] dB	Formula: SNR + TT False ACK limit unchanged Correct ACK limit unchanged
8.3.2 Performance requirements for PUCCH format 1	SNRs as specified	[0.6] dB	Formula: SNR + TT False ACK limit unchanged False NACK limit unchanged Correct ACK limit unchanged
8.3.3 Performance requirements for PUCCH format 2	SNRs as specified	[0.6] dB	Formula: SNR + TT False ACK limit unchanged Correct ACK limit unchanged UCI BLER limit unchanged
8.3.4 Performance requirements for PUCCH format 3	SNRs as specified	[0.6] dB	Formula: SNR + TT UCI BLER limit unchanged
8.3.5 Performance requirements for PUCCH format 4	SNRs as specified	[0.6] dB	Formula: SNR + TT UCI BLER limit unchanged
8.4.1 PRACH false alarm probability and missed detection	SNRs as specified	[0.6] dB for fading cases [0.3] dB for AWGN cases	Formula: SNR + TT PRACH false detection limit unchanged PRACH detection limit unchanged

Table C.3-2: Derivation of test requirements (FR1-NTN OTA performance tests)

Test	Minimum Requirement in TS 38.108 [2]	Test Tolerance (TT _{OTA})	Test requirement in the present document
11.2.1 Performance requirements for PUSCH with transform precoding disabled	See clause 11.2.1.1	[0.6] dB	Formula: SNR + TT _{OTA} T-put limit unchanged
11.2.2 Performance requirements for PUSCH with transform precoding enabled	See clause 11.2.1.2	[0.6] dB	Formula: SNR + TT _{OTA} T-put limit unchanged
11.2.3 Performance requirements for UL timing adjustment	See clause 11.2.1.3	[0.3] dB for AWGN cases	Formula: SNR + TT _{OTA} T-put limit unchanged
11.2.4 Performance requirements for PUSCH repetition Type A	See clause 11.2.1.4	[0.6] dB	Formula: SNR + TT _{OTA} BLER limit unchanged
11.2.5 Performance requirements for PUSCH with DM-RS bundling	See clause 11.2.1.5	[0.6] dB	Formula: SNR + TT _{OTA} BLER limit unchanged
11.3.1 Performance requirements for PUCCH format 0	See clause 11.3.1.1	[0.6] dB	Formula: SNR + TT _{OTA} False ACK limit unchanged Correct ACK limit unchanged
11.3.2 Performance requirements for PUCCH format 1	See clause 11.3.1.3	[0.6] dB	Formula: SNR + TT _{OTA} False ACK limit unchanged False NACK limit unchanged Correct ACK limit unchanged
11.3.3 Performance requirements for PUCCH format 2	See clause 11.3.1.4	[0.6] dB	Formula: SNR + TT _{OTA} False ACK limit unchanged Correct ACK limit unchanged UCI BLER limit unchanged
11.3.4 Performance requirements for PUCCH format 3	See clause 11.3.1.5	[0.6] dB	Formula: SNR + TT _{OTA} UCI BLER limit unchanged
11.3.5 Performance requirements for PUCCH format 4	See clause 11.3.1.6	[0.6] dB	Formula: SNR + TT _{OTA} UCI BLER limit unchanged
11.4.1 PRACH false alarm probability and missed detection	See clause 11.4.1	[0.6] dB for fading cases [0.3] dB for AWGN cases	Formula: SNR + TT _{OTA} PRACH False detection limit unchanged PRACH detection limit unchanged
NOTE: TT values are applicable for normal condition unless otherwise stated.			

Table C.3-3: Derivation of test requirements (FR2-NTN OTA performance tests)

Test	Minimum Requirement in TS 38.108 [2]	Test Tolerance (TT _{OTA})	Test requirement in the present document
11.2.1 Performance requirements for PUSCH with transform precoding disabled	See clause 11.2.1.1	[0.6] dB	Formula: SNR + TT _{OTA} T-put limit unchanged
11.2.2 Performance requirements for PUSCH with transform precoding enabled	See clause 11.2.1.2	[0.6] dB	Formula: SNR + TT _{OTA} T-put limit unchanged
11.2.3 Performance requirements for UL timing adjustment	See clause 11.2.1.3	[0.3] dB for AWGN cases	Formula: SNR + TT _{OTA} T-put limit unchanged
11.2.4 Performance requirements for PUSCH repetition Type A	See clause 11.2.1.4	[0.6] dB	Formula: SNR + TT _{OTA} BLER limit unchanged
11.3.1 Performance requirements for PUCCH format 0	See clause 11.3.1.1	[0.6] dB	Formula: SNR + TT _{OTA} False ACK limit unchanged Correct ACK limit unchanged
11.3.2 Performance requirements for PUCCH format 1	See clause 11.3.1.3	[0.6] dB	Formula: SNR + TT _{OTA} False ACK limit unchanged False NACK limit unchanged Correct ACK limit unchanged
11.3.3 Performance requirements for PUCCH format 2	See clause 11.3.1.4	[0.6] dB	Formula: SNR + TT _{OTA} False ACK limit unchanged Correct ACK limit unchanged UCI BLER limit unchanged
11.3.4 Performance requirements for PUCCH format 3	See clause 11.3.1.5	[0.6] dB	Formula: SNR + TT _{OTA} UCI BLER limit unchanged
11.3.5 Performance requirements for PUCCH format 4	See clause 11.3.1.6	[0.6] dB	Formula: SNR + TT _{OTA} UCI BLER limit unchanged
11.4.1 PRACH false alarm probability and missed detection	See clause 11.4.1	[0.6] dB for fading cases [0.3] dB for AWGN cases	Formula: SNR + TT _{OTA} PRACH False detection limit unchanged PRACH detection limit unchanged
NOTE: TT values are applicable for normal condition unless otherwise stated.			

Annex D (informative): Measurement system set-up

D.1 SAN type 1-H transmitter

D.1.1 SAN output power, output power dynamics, frequency error, EVM, unwanted emissions for SAN type 1-H

TAB connectors may be connected to the measurement equipment singularly and tested one at a time (figure D.1.1-1), or may be tested simultaneously in groups (figure D.1.1-2) where the group size may range from two to all the *TAB connectors* which are subject to particular transmitter test in this test setup.

In all cases the measurement is per *TAB connector* but the measurement may be done in parallel.

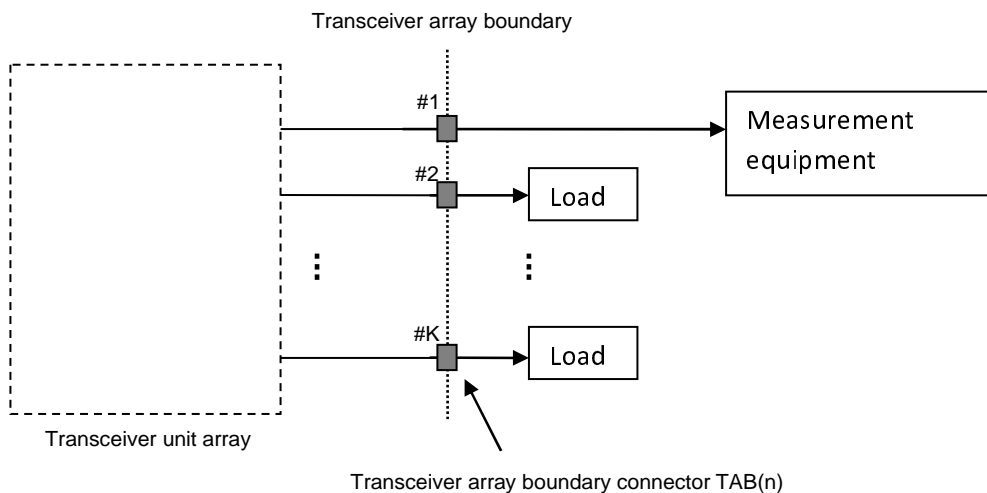


Figure D.1.1-1: Measuring system set-up for SAN type 1-H output power, output power dynamics, frequency error, EVM, unwanted emissions for a single TAB connector

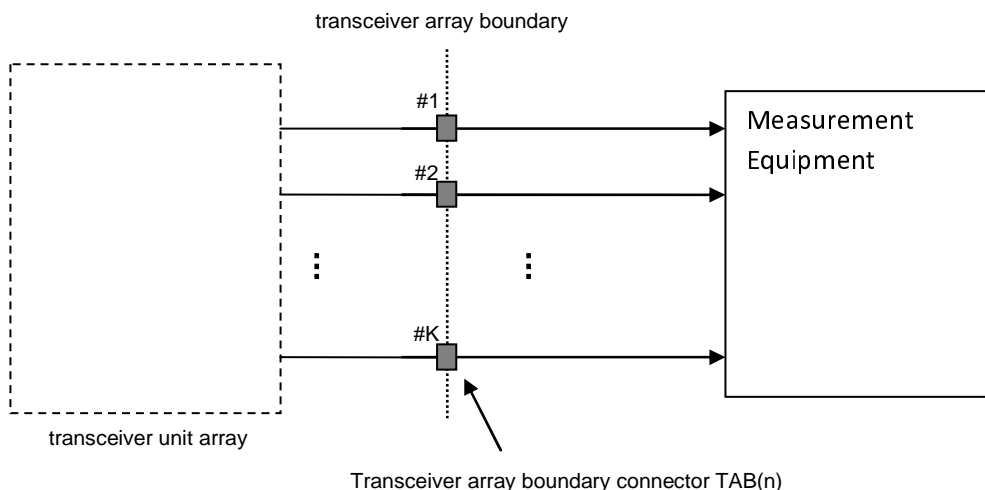


Figure D.1.1-2: Measuring system set-up for SAN type 1-H output power, output power dynamics, frequency error, EVM, unwanted emissions for multiple TAB connectors

D.1.2 Transmitter intermodulation for SAN type 1-H

The requirement and the measuring system set-up are not applicable in this version of the specification.

D.1.3 Transmitter spurious emissions for SAN type 1-H

TAB connectors may be connected to the measurement equipment singularly and tested one at a time (figure D.1.3-1), or may be tested simultaneously in groups (figure D.1.3-2) where the group size may range from two to all the TAB connectors which are subject to transmitter spurious emissions test.

In all cases the measurement is per TAB connector but the measurement may be done in parallel.

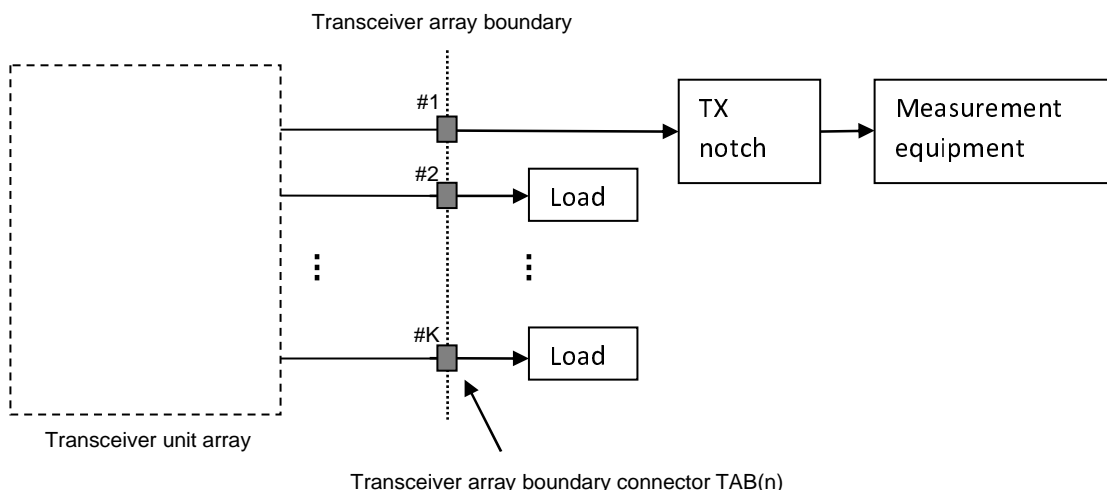


Figure D.1.3-1: Measuring system set-up for transmitter spurious emissions for a single TAB connector

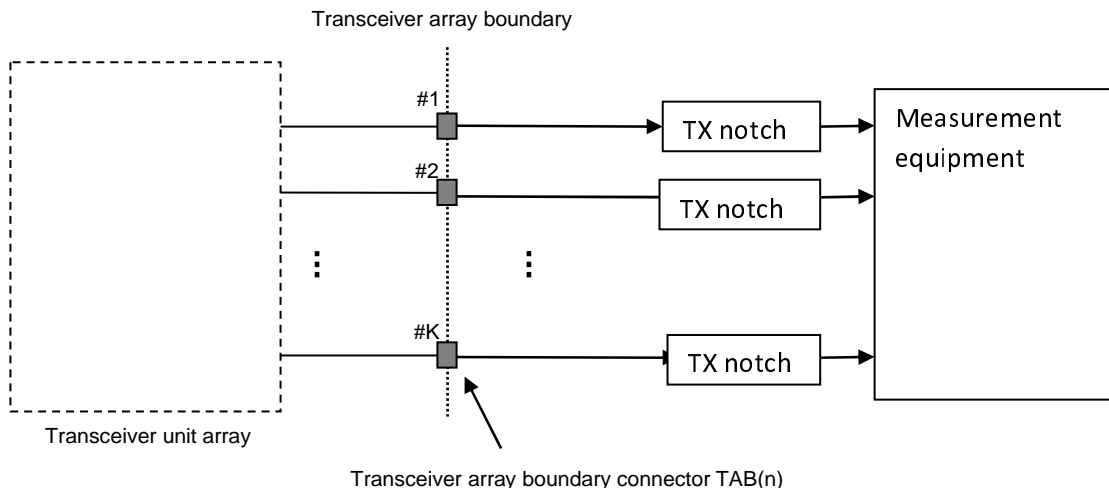


Figure D.1.3-2: Measuring system set-up for transmitter spurious emissions for multiple *TAB* connectors in parallel test

D.1.4 Time alignment error for *SAN* type 1-H

The requirement and the measuring system set-up are not applicable in this version of the specification.

D.2 *SAN* type 1-H receiver

D.2.1 Reference sensitivity level for *SAN* type 1-H

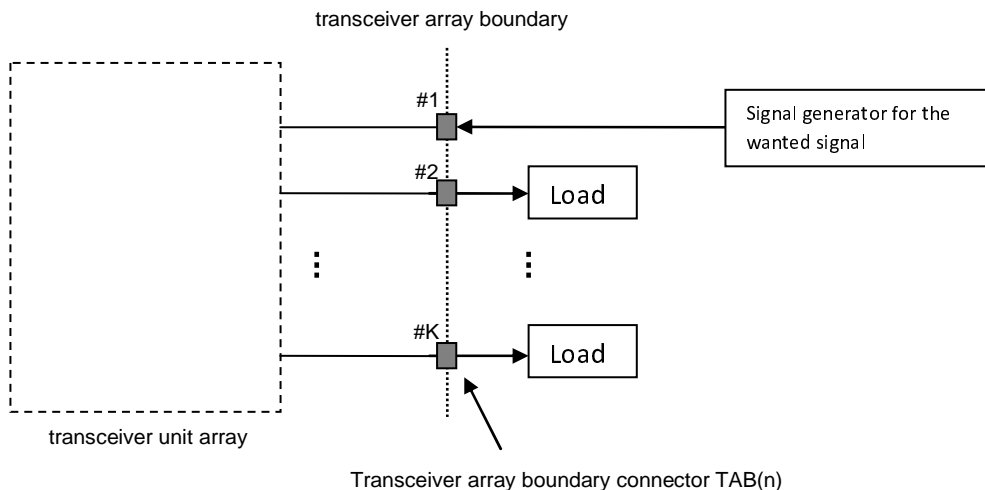


Figure D.2.1-1: Measuring system set-up for *SAN* type 1-H reference sensitivity level test

D.2.2 Receiver dynamic range for SAN type 1-H

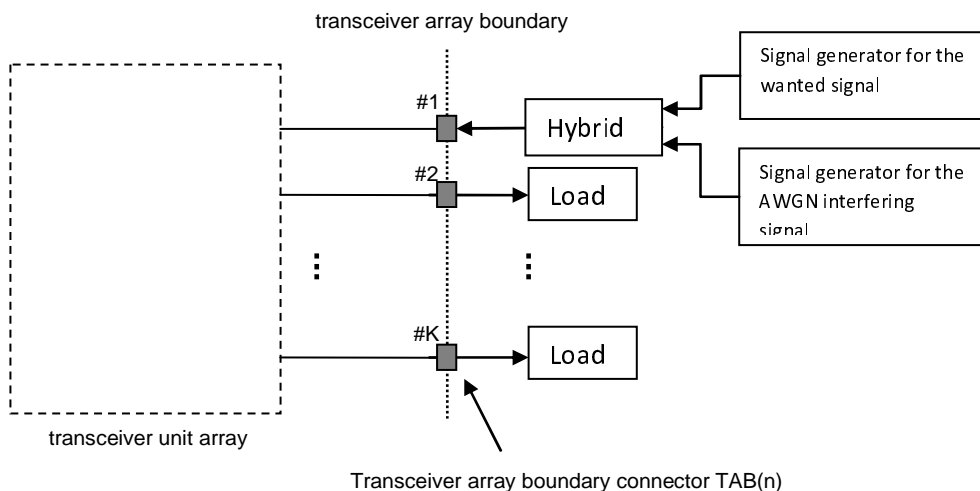


Figure D.2.2-1: Measuring system set-up for SAN type 1-H dynamic range test

D.2.3 Receiver adjacent channel selectivity and narrowband blocking for SAN type 1-H

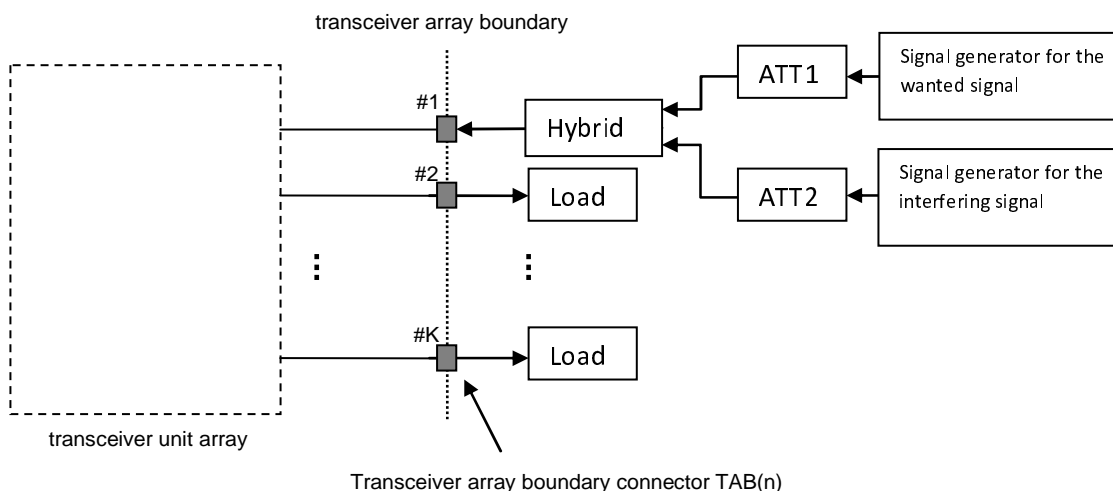


Figure D.2.3-1: Measuring system set-up for SAN type 1-H adjacent channel selectivity and narrowband blocking test

D.2.4 Receiver spurious emissions

The requirement and the measuring system set-up are not applicable in this version of the specification.

D.2.5 Receiver In-channel selectivity for SAN type 1-H

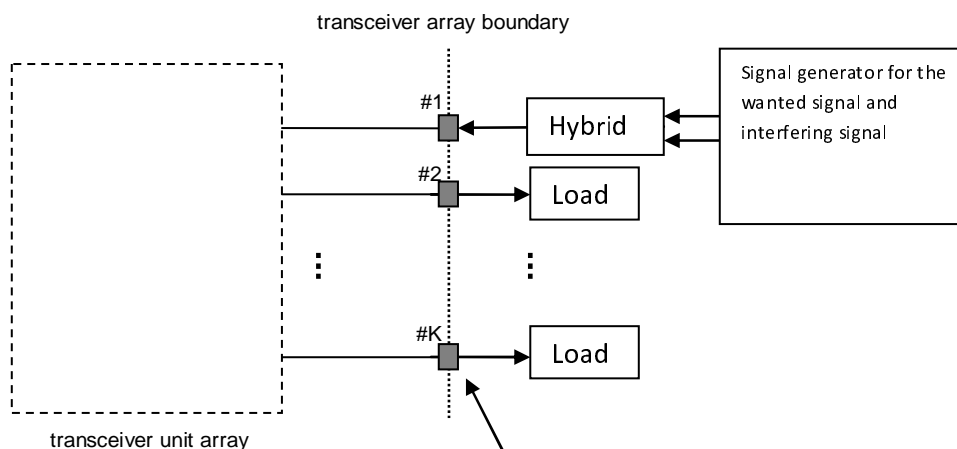


Figure D.2.5-1: Measuring system set-up for SAN type 1-H in-channel selectivity test

D.2.6 Receiver intermodulation for SAN type 1-H

The requirement and the measuring system set-up are not applicable in this version of the specification.

D.3 SAN type 1-H, SAN type 1-O and SAN type 2-O transmitter

The OTA chamber configuration shown in this section is intended to be generic and may represent any suitable OTA chamber (e.g. far field anechoic chamber, Compact Antenna Test Range (CATR), near field chamber, Reverberation chamber).

The link between the satellite and the Gateway is made in conducted mode. The Gateway equipment (modems, RF chain, commands, telemetries, etc.) may be partially or completely located outside the chamber.

D.3.1 Radiated transmit power, output power, output power dynamics, transmitted signal quality, OTA unwanted emissions, OTA transmitter spurious emissions

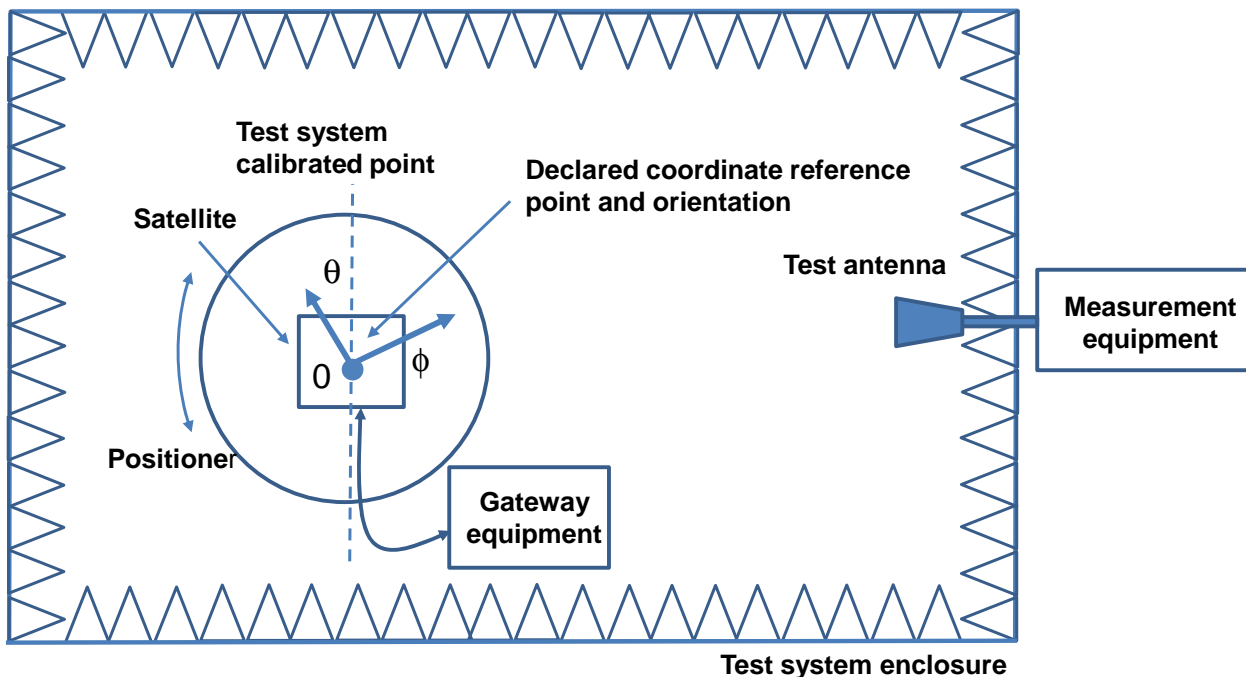


Figure D.3.1-1: Measurement set up for radiated transmit power, OTA output power dynamics and OTA transmitted signal quality

D.4 SAN type 1-H, SAN type 1-O and SAN type 2-O receiver

The OTA chamber configurations shown in this section are intended to be generic and may represent any suitable OTA chamber (e.g. Far field anechoic chamber, Compact Antenna Test Range (CATR), Near field chamber).

The link between the satellite and the Gateway is made in conducted mode. The Gateway equipment (modems, RF chain, commands, telemetries, etc.) may be partially or completely located outside the chamber.

D.4.1 OTA sensitivity and OTA reference sensitivity level

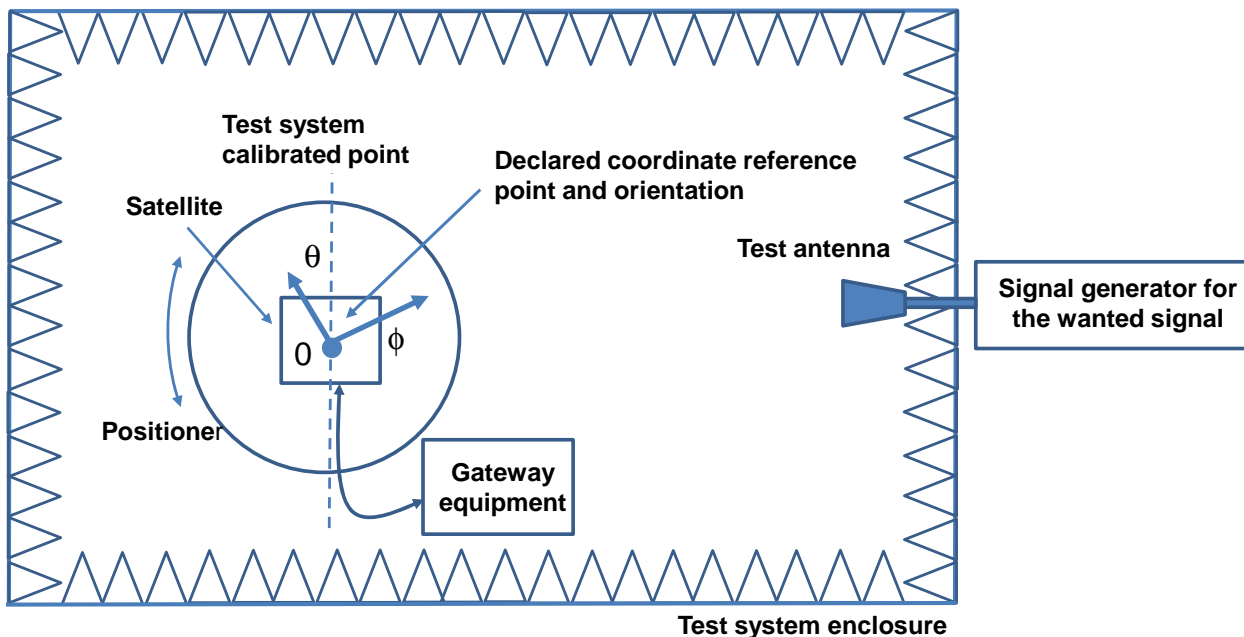


Figure D.4.1-1: Measurement set up for OTA sensitivity and OTA reference sensitivity level

D.4.2 OTA dynamic range, OTA ACS, OTA ICS

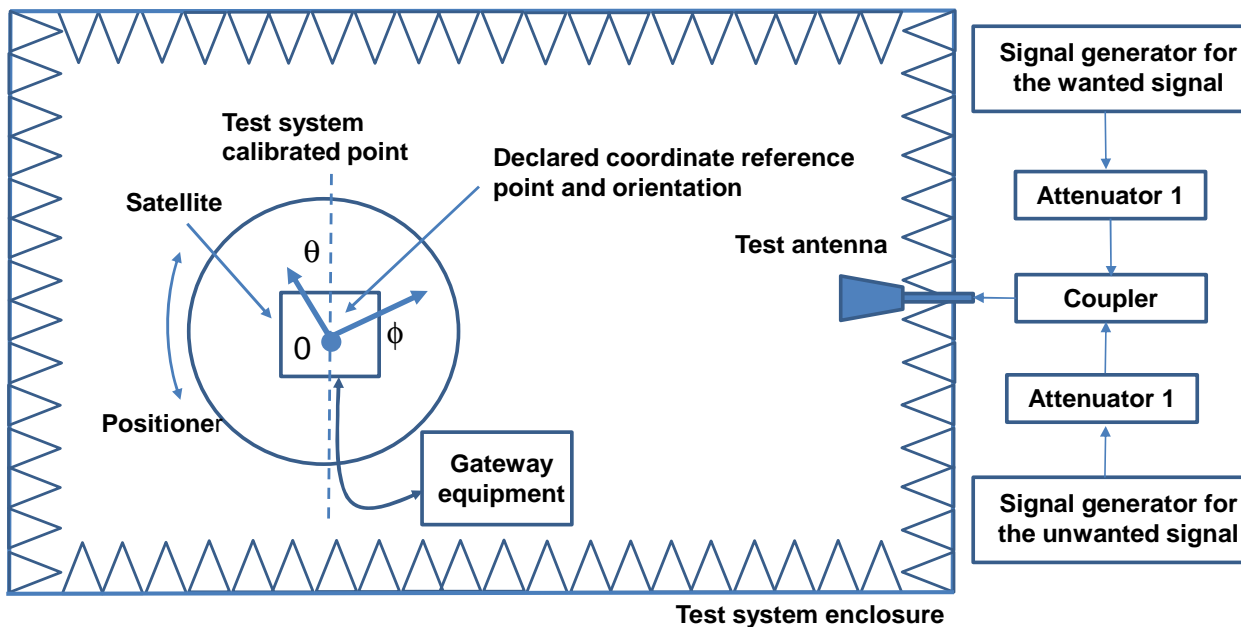


Figure D.4.2-1: Measurement set up for OTA dynamic range, OTA ACS, OTA ICS

D.4.3 OTA out-of-band blocking

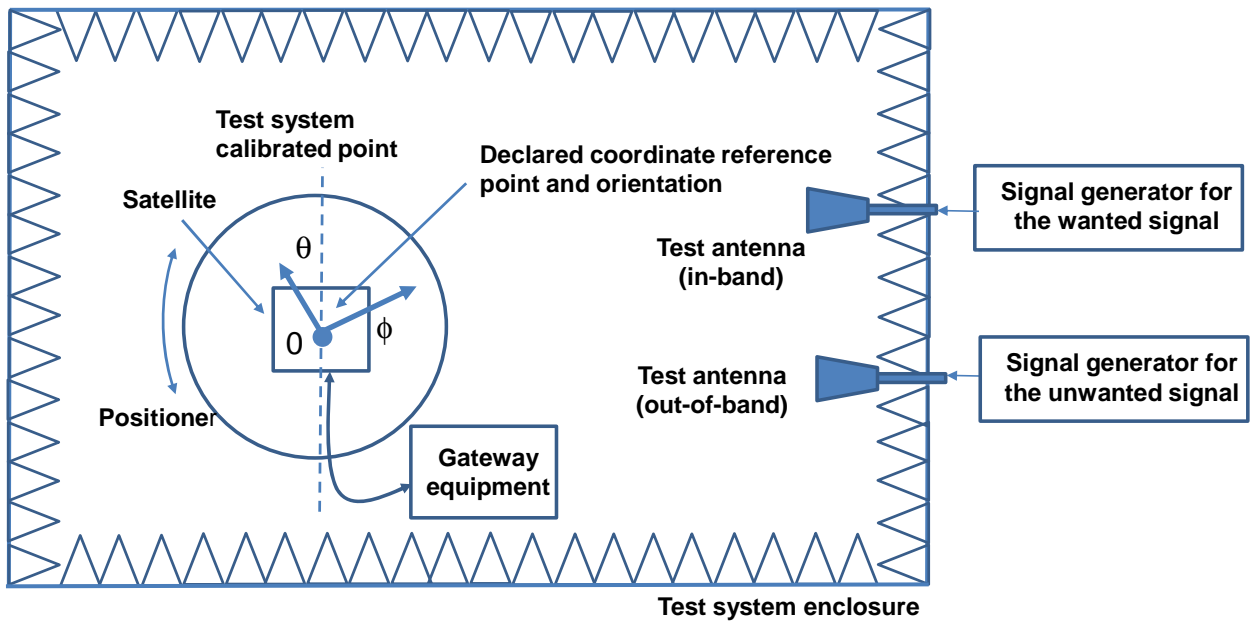


Figure D.4.3-1: Measurement set up for general OTA out-of-band blocking

D.5 Void

D.6 SAN type 1-H performance requirements

D.6.1 Performance requirements for PUSCH, single user PUCCH, PRACH on single antenna port in multipath fading conditions

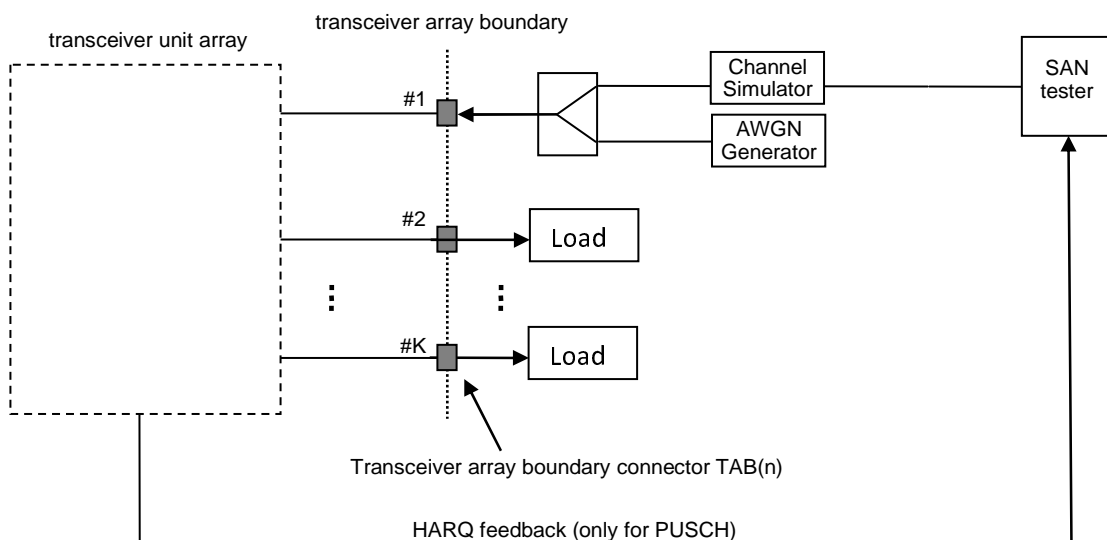


Figure D.6.1-1: Functional set-up for performance requirements for PUSCH, single user PUCCH, PRACH on single antenna port in multipath fading conditions for SAN with 1Rx

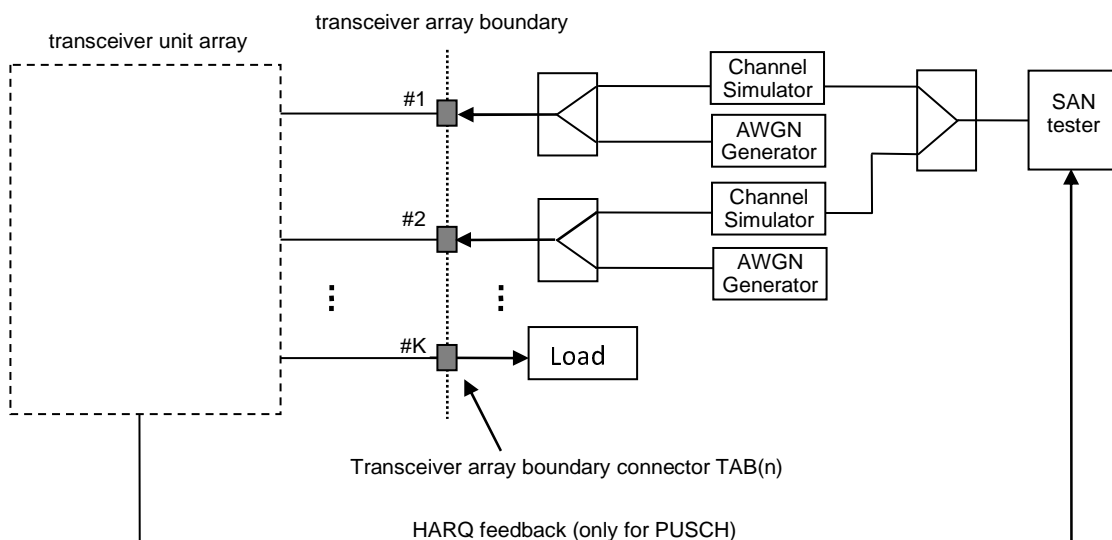


Figure D.6.1-2: Functional set-up for performance requirements for PUSCH, single user PUCCH, PRACH on single antenna port in multipath fading conditions for SAN with Rx diversity (2 Rx case shown)

NOTE 1: The HARQ Feedback could be done as an RF feedback or as a digital feedback. The HARQ Feedback should be error free.

D.6.2 Performance requirements for PUSCH and PRACH in static conditions

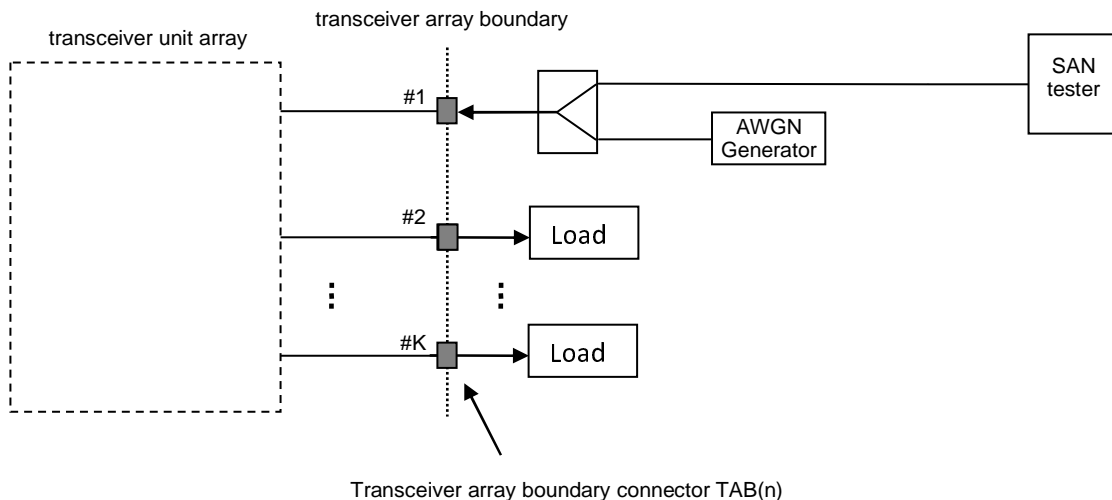


Figure D.6.2-1: Functional set-up for performance requirements for PUSCH and PRACH in static conditions for SAN with 1Rx case shown

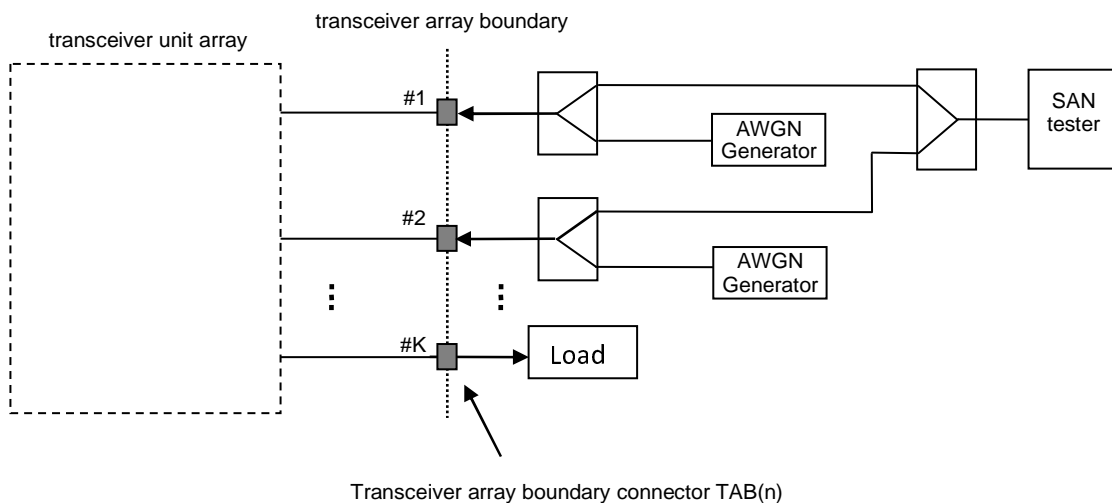


Figure D.6.2-2: Functional set-up for performance requirements for PUSCH and PRACH in static conditions for SAN with Rx diversity (2 Rx case shown)

D.6.3 Performance requirements for UL timing adjustment

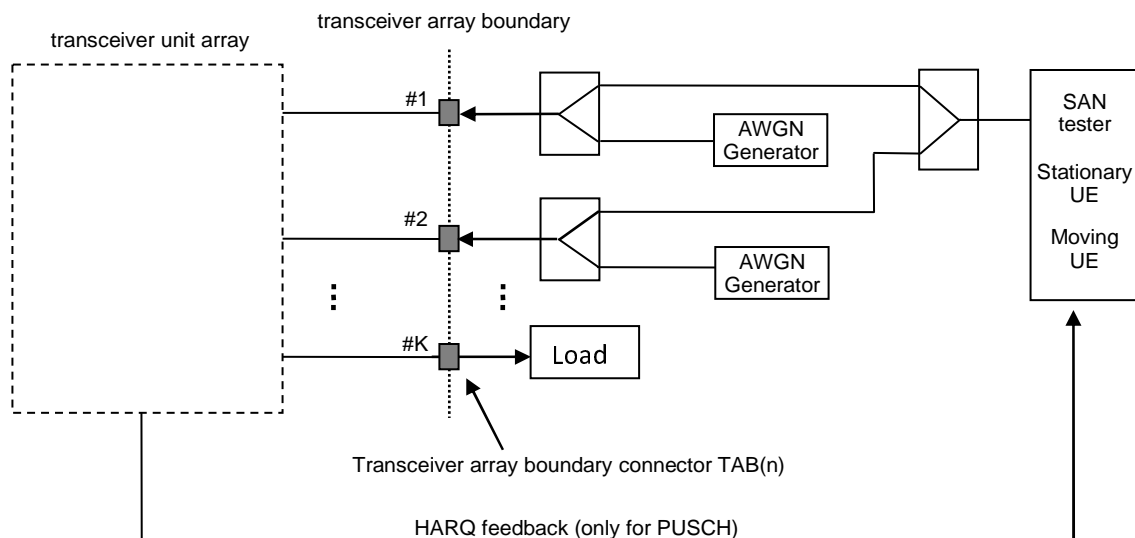


Figure D.6.3-1: Functional set-up for performance requirement for UL timing adjustment

NOTE: The HARQ feedback and TA commands could be done as an RF feedback or as a digital feedback. The HARQ feedback and TA commands should be error free.

D.7 SAN type 1-O and 2-O performance requirements

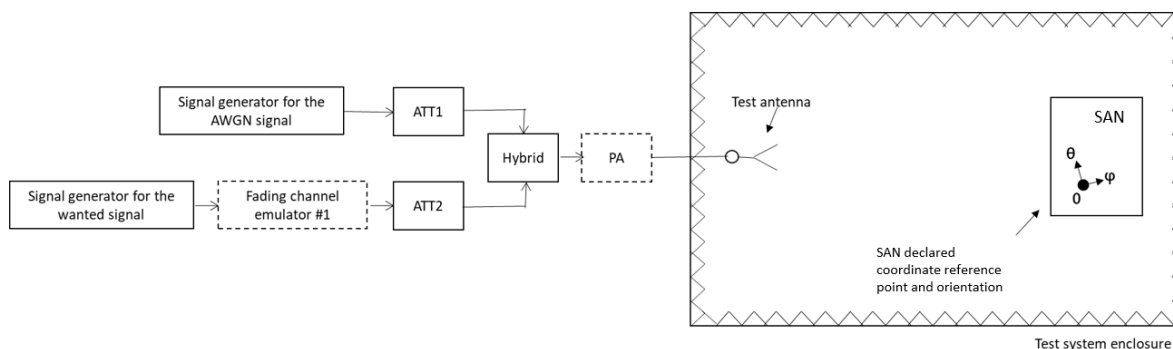


Figure D.7-1: Measurement set up for single TX, single demodulation branch radiated performance requirements

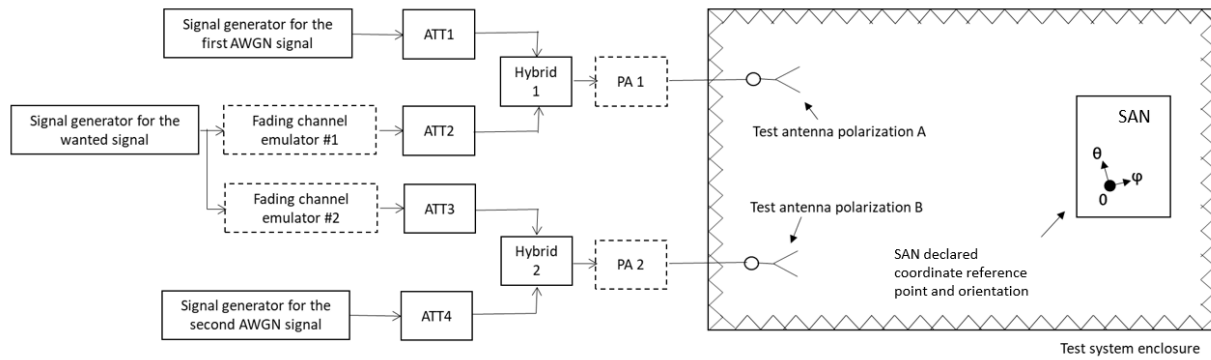


Figure D.7-2: Measurement set up for single TX, dual polarization radiated performance requirements

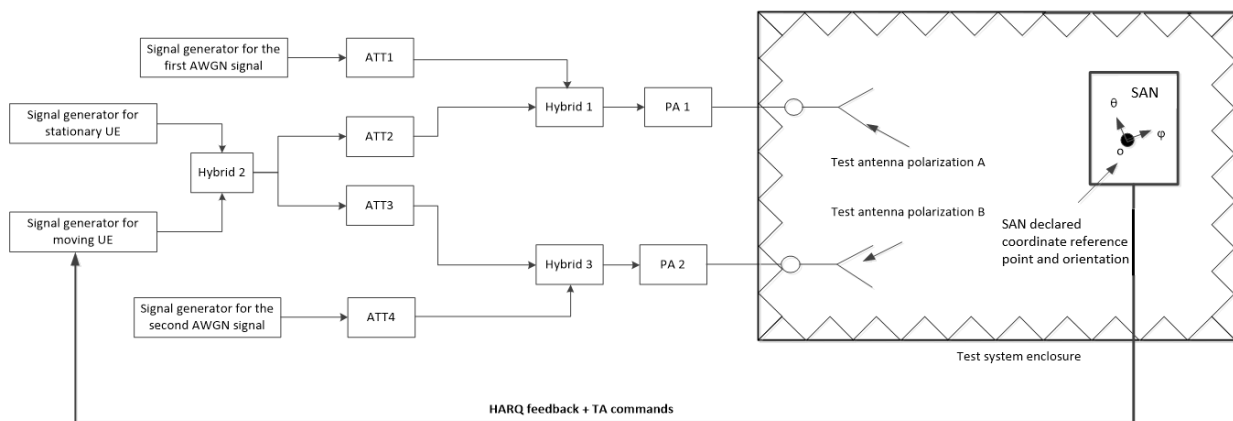


Figure D.7-3: Measurement set up for UL timing adjustment, single TX, dual polarization radiated performance requirements

The OTA chambers shown in figures D.7-1, D.7-2, D.7-3 and D.7-4 are intended to be generic and can be replaced with any suitable OTA chamber (e.g. far field anechoic chamber, CATR, etc.). The PA(s) depicted in figures D.7-1, D.7-2, and D.7-3 is optional. Fading channel emulators are included when needed according to the requirement description.

NOTE: The HARQ Feedback (only for PUSCH) could be done as an RF feedback or as a digital feedback. The HARQ Feedback should be error free.

Annex F (normative):
Void

Annex E (normative): Characteristic of interfering signal

The interfering signal shall be a PUSCH or PDSCH containing data and DMRS symbols. Normal cyclic prefix is used. The data content shall be uncorrelated to the wanted signal and modulated according to clause 6 of TS 38.211 [8]. Mapping of PUSCH or PDSCH modulation to receiver requirement are specified in table E-1.

Table E-1: Modulation of the interfering signal

Receiver requirement	Modulation	Interfering signal	Clauses
In-channel selectivity	16QAM	PUSCH	7.8
OTA in-channel selectivity			10.9
Adjacent channel selectivity	QPSK	PDSCH	7.4.1
OTA adjacent channel selectivity			10.5.1

Annex G (normative): Propagation conditions

G.1 Static propagation condition

The propagation for the static performance measurement is an Additive White Gaussian Noise (AWGN) environment. No fading or multi-paths exist for this propagation model.

G.2 Multi-path fading propagation conditions

The multipath propagation conditions consist of several parts:

- A delay profile in the form of a "tapped delay-line", characterized by a number of taps at fixed positions on a sampling grid. The profile can be further characterized by the r.m.s. delay spread and the maximum delay spanned by the taps.
- A combination of channel model parameters that include the Delay profile and the Doppler spectrum that is characterized by a classical spectrum shape and a maximum Doppler frequency.

G.2.1 Delay profiles

The delay profiles are simplified from the TR 38.811 [17] TDL models. The simplification steps are shown below for information. These steps are only used when new delay profiles are created. Otherwise, the delay profiles specified in G.2.1.1 can be used as such.

- Step 1: Use the original TDL model from TR 38.811 [17].
- Step 2: Re-order the taps in ascending delays
- Step 3: Perform delay scaling according to the procedure described in clause 7.7.2 in TR 38.901 [11].
- Step 4: Apply the quantization to the delay resolution 5 ns. This is done simply by rounding the tap delays to the nearest multiple of the delay resolution.
- Step 5: If multiple Rayleigh taps are rounded to the same delay bin, merge them by calculating their linear power sum.
- Step 6: If there is a LOS path in the model, the power for all paths could be slightly adjusted to keep the RMS delay spread is close to target delay spread and mean power is 0dB.
- Step 7: Round the amplitudes of taps to one decimal (e.g. -8.78 dB → -8.8 dB)
- Step 8: If the delay spread has slightly changed due to the tap merge, adjust the final delay spread by increasing or decreasing the power of the last tap so that the delay spread is corrected.
- Step 9: Re-normalize the highest Rayleigh tap to 0 dB when there is no LOS path in the model.

Note 1: Some values of the delay profile created by the simplification steps may differ from the values in tables G.2.1.1-2, G.2.1.1-3 and G.2.1.2-2 for the corresponding model.

Note 2: For Step 5 and Step 6, the power values are expressed in the linear domain using 6 digits of precision. The operations are in the linear domain.

G.2.1.1 Delay profiles for FR1-NTN

The delay profiles for FR1-NTN are selected to be representative of NLOS and LOS scenarios. The resulting model parameters are specified in G.2.1.1-1 and the tapped delay line models are specified in tables G.2.1.1-2 and table G.2.1.1-3.

Table G.2.1.1-1: Delay profiles for SAN channel models

Model	Number of channel taps	Delay spread (r.m.s.)	Maximum excess tap delay (span)	Delay resolution
NTN-TDLA100	3	100 ns	285 ns	5 ns
NTN-TDLC5	2	5 ns	60 ns	5 ns

Table G.2.1.1-2: NTN-TDLA100 (DS = 100 ns)

Tap #	Delay (ns)	Power (dB)	Fading distribution
1	0	0	Rayleigh
2	110	-4.7	
3	285	-6.5	

Table G.2.1.1-3: NTN-TDLC5 (DS = 5 ns)

Tap #	Delay (ns)	Power (dB)	Fading distribution
1	0	-0.6	LOS path
	0	-8.9	Rayleigh
2	60	-21.5	Rayleigh

NOTE: The first tap follows a Rician distribution with a K-factor of $K_1 = 8.05$ dB and a mean power of 0dB

G.2.1.2 Delay profiles for FR2-NTN

The delay profiles for FR2-NTN are selected to be representative of LOS scenarios. The resulting model parameters are specified in G.2.1.2-1 and the tapped delay line models are specified in tables G.2.1.2-2.

Table G.2.1.2-1: Delay profiles for SAN channel models

Model	Number of channel taps	Delay spread (r.m.s.)	Maximum excess tap delay (span)	Delay resolution
NTN-TDLC5	2	5 ns	60 ns	5 ns

Table G.2.1.2-2: NTN-TDLC5 (DS = 5 ns)

Tap #	Delay (ns)	Power (dB)	Fading distribution
1	0	-0.6	LOS path
	0	-8.9	Rayleigh
2	60	-21.5	Rayleigh

NOTE: The first tap follows a Rician distribution with a K-factor of $K_1 = 8.05$ dB and a mean power of 0dB

G.2.2 Combinations of channel model parameters

The propagation conditions used for the performance measurements in multi-path fading environment are indicated as a combination of a channel model name and a maximum Doppler frequency, i.e., NTN-TDLA<DS>-<Doppler> or NTN-TDLC<DS>-<Doppler> where '<DS>' indicates the desired delay spread and '<Doppler>' indicates the maximum Doppler frequency (Hz).

Table G.2.2-1 show the propagation conditions that are used for the performance measurements in multi-path fading environment for low, medium and high Doppler frequencies for FR1-NTN.

Table G.2.2-2 show the propagation conditions that are used for the performance measurements in multi-path fading environment for low, medium and high Doppler frequencies for FR2-NTN.

Table G.2.2-1: Channel model parameters for FR1-NTN

Combination name	Model	Maximum Doppler frequency
NTN-TDLA100-200	NTN-TDLA100	200 Hz
NTN-TDLC5-200	NTN-TDLC5	200 Hz

Table G.2.2-2: Channel model parameters for FR2-NTN

Combination name	Model	Maximum Doppler frequency
NTN-TDLC5-1200	NTN-TDLC5	1200 Hz

G.2.3 MIMO channel correlation matrices

The MIMO channel correlation matrices defined in annex G.2.3 apply for the antenna configuration using uniform linear arrays at both SAN and UE and for the antenna configuration using cross polarized antennas.

G.2.3.1 MIMO correlation matrices using Uniform Linear Array

The MIMO channel correlation matrices defined in annex G.2.3.1 apply for the antenna configuration using uniform linear array (ULA) at both SAN and UE.

G.2.3.1.1 Definition of MIMO correlation matrices

Table G.2.3.1.1-1 defines the correlation matrix for the SAN.

Table G.2.3.1.1-1: SAN correlation matrix

	gNB correlation
One antenna	$R_{gNB} = 1$
Two antennas	$R_{gNB} = \begin{pmatrix} 1 & \alpha \\ \alpha^* & 1 \end{pmatrix}$

Table G.2.3.1.1-2 defines the correlation matrix for the UE:

Table G.2.3.1.1-2: UE correlation matrix

	One antenna
UE correlation	$R_{UE} = 1$

Table G.2.3.1.1-3 defines the channel spatial correlation matrix R_{spa} . The parameters, α and β in table G.2.3.1.1-3 defines the spatial correlation between the antennas at the SAN and UE respectively.

Table G.2.3.1.1-3: R_{spat} correlation matrices

1x1 case	$R_{spat} = R_{SAN} = 1$
1x2 case	$R_{spat} = R_{SAN} = \begin{bmatrix} 1 & \alpha \\ \alpha^* & 1 \end{bmatrix}$

For cases with more antennas at either SAN or UE or both, the channel spatial correlation matrix can still be expressed as the Kronecker product of R_{UE} and R_{SAN} according to $R_{spat} = R_{UE} \otimes R_{SAN}$.

G.2.3.1.2 MIMO correlation matrices at high, medium and low level

The α and β for different correlation types are given in table G.2.3.1.2-1.

Table G.2.3.1.2-1: Correlation for high, medium and low level

Low correlation		Medium correlation		High correlation	
α	β	α	β	α	β
0	0	0.9	0.3	0.9	0.9

The correlation matrices for high, medium and low correlation are defined in table G.2.3.1.2-2, G.2.3.1.2-3 and G.2.3.1.2-4 as below.

Table G.2.3.1.2-2: MIMO correlation matrices for high correlation

1x1 case	$R_{high} = I_1$
1x2 case	$R_{high} = \begin{pmatrix} 1 & 0.9 \\ 0.9 & 1 \end{pmatrix}$

Table G.2.3.1.2-3: MIMO correlation matrices for medium correlation

1x1 case	N/A
1x2 case	N/A

Table G.2.3.1.2-4: MIMO correlation matrices for low correlation

1x1 case	$R_{low} = I_1$
1x2 case	$R_{low} = I_2$

In table G.2.3.1.2-4, I_d is a $d \times d$ identity matrix.

NOTE: For completeness, the correlation matrices were defined for high, medium and low correlation but performance requirements exist only for low correlation.

G.3 Moving propagation conditions

Figure G.3-1 illustrate the moving propagation conditions for the test of the UL timing adjustment performance. The time difference between the reference timing and the first tap is according to Equation (G.3-1). The timing difference between moving UE and stationary UE is equal to $\Delta\tau - (T_A - 31) \times 16 \times 64 T_c$ for 15kHz SCS and $\Delta\tau - (T_A - 31) \times 16 \times 32 T_c$ for 30kHz SCS. The relative timing among all taps is fixed. The parameters for the moving propagation conditions are shown in Table G.3-1.

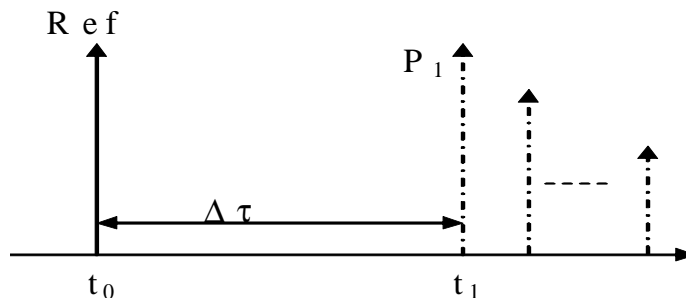


Figure G.3-1: Moving propagation conditions

$$\Delta\tau = \frac{A}{2} \cdot \sin(\Delta\omega \cdot t) \tag{G.3-1}$$

Table G.3-1: Parameters for UL timing adjustment

Parameter	Scenario X
Channel model	Stationary UE: AWGN Moving UE: NTN-TDLA100-200
UE speed	120 km/h
CP length	Normal
A	15 kHz: 10 μs 30 kHz: 5 μs
Δω	15 kHz: 0.04 s ⁻¹ 30 kHz: 0.08 s ⁻¹

Annex H (normative): In-channel Tx test

H.1 General

The in-channel TX test enables the measurement of all relevant parameters that describe the in-channel quality of the output signal of the TX under test in a single measurement process.

The parameters describing the in-channel quality of a transmitter, however, are not necessarily independent. The algorithm chosen for description inside this annex places particular emphasis on the exclusion of all interdependencies among the parameters.

H.2 Basic principles

The process is based on the comparison of the actual output signal of the TX under test, received by an ideal receiver, with an ideal signal, that is generated by the measuring equipment and represents an ideal error free received signal. All signals are represented as equivalent (generally complex) baseband signals.

The description below uses numbers and illustrations as examples only. These numbers are taken from a FDD frame structure with normal CP length, 30 kHz SCS and a transmission bandwidth configuration of 100 MHz ($N_{RB} = 273$). The application of the text below, however, is not restricted to this parameter set.

H.2.1 Output signal of the TX under test

The output signal of the TX under test is acquired by the measuring equipment and stored for further processing. It is sampled at a sampling rate which is the product of the SCS and the *FFT size*, and it is named $z(v)$. The *FFT size* is determined by the transmission bandwidth in table 6.5.3.5-2 for 15 kHz SCS, table 6.5.3.5-3 for 30 kHz SCS and table 6.5.3.5-4 for 60 kHz SCS. In the time domain, it comprises at least 10 ms. It is modelled as a signal with the following parameters:

- demodulated data content,
- carrier frequency,
- amplitude and phase for each subcarrier.

For the example in the annex, the *FFT size* is 4096 based on table 6.5.3.5-3. The sampling rate of 122.88 Msps is the product of the *FFT size* and SCS.

H.2.2 Ideal signal

Two types of ideal signals are defined:

The first ideal signal $i_1(v)$ is constructed by the measuring equipment according to the relevant TX specifications, using the following parameters:

- demodulated data content,
- nominal carrier frequency,
- nominal amplitude and phase for each subcarrier.

It is represented as a sequence of samples at the sampling rate determined from annex H.2.1 in the time domain. The structure of the signal is described in the test models.

The second ideal signal $i_2(v)$ is constructed by the measuring equipment according to the relevant TX specifications, using the following parameters:

- nominal demodulation reference signals (all other modulation symbols are set to 0 V),
- nominal carrier frequency,
- nominal amplitude and phase for each applicable subcarrier,
- nominal timing.

It is represented as a sequence of samples at the sampling rate determined from annex H.2.1 in the time domain.

H.2.3 Measurement results

The measurement results, achieved by the in-channel TX test are the following:

- Carrier frequency error
- EVM
- Resource element TX power
 - OFDM symbol TX power (OSTP)

Other side results are: residual amplitude- and phase response of the TX chain after equalisation.

H.2.4 Measurement points

The resource element TX power is measured after the FFT box as described in figure H.2.4-1. The EVM shall be measured at the point after the FFT and a zero-forcing (ZF) equalizer in the receiver, as depicted for FR1 in figure H.2.4-1. The FFT window of $FFT\ size$ samples out of $(FFT\ size + cyclic\ prefix\ length)$ samples in the time domain is selected in the "Remove CP" box. The $FFT\ size$ and the cyclic prefix length are obtained from table 6.5.3.5-2 for 15 kHz SCS, table 6.5.3.5-3 for 30 kHz SCS and table 6.5.3.5-4 for 60 kHz SCS.

In one subframe, there are two symbols with the length of the cyclic prefix larger than the values listed in tables 6.5.3.5-2, 6.5.3.5-3 and 6.5.3.5-4. Table H.2.4-1 lists the slot number and the symbol number and the formula how to compute the length of cyclic prefix for those two symbols according to the sampling rate.

Table H.2.4-1: Slot number and symbol number identifying the longer CP length for normal CP

SCS (kHz)	# slots in subframe	Symbol # and slot # with longer CP	Longer CP length
15	1	(symbol 0, slot 0) (symbol 7, slot 0)	CP length + $FFT\ size / 128$
30	2	(symbol 0, slot 0) (symbol 0, slot 1)	CP length + $FFT\ size / 64$
60	4	(symbol 0, slot 0) (symbol 0, slot 2)	CP length + $FFT\ size / 32$

For the example used in the annex, the "Remove CP" box selects 4096 samples out of 4384 samples. Symbol 0 has 64 more samples in the cyclic prefix than the other 13 symbols in the slot (the longer CP length = 352).

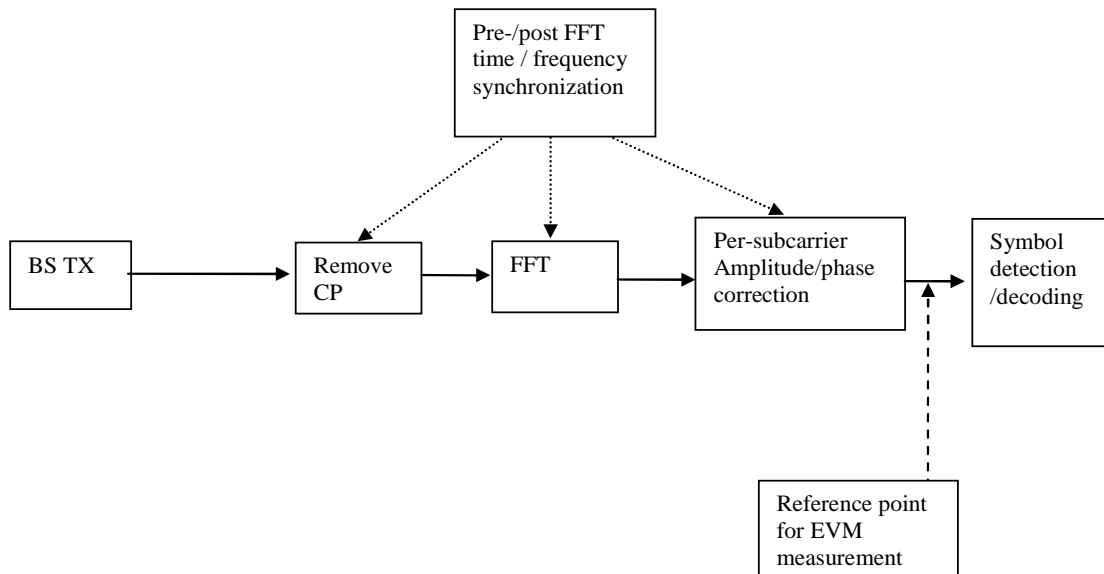


Figure H.2.4-1: Reference point for FR1 EVM measurements

H.3 Pre-FFT minimization process

Sample Timing, Carrier Frequency in $z(v)$ are varied in order to minimise the difference between $z(v)$ and $i_1(v)$, after the amplitude ratio of $z(v)$ and $i_1(v)$ has been scaled. Best fit (minimum difference) is achieved when the RMS difference value between $z(v)$ and $i_1(v)$ is an absolute minimum.

The carrier frequency variation is the measurement result: carrier frequency error.

From the acquired samples, one value of carrier frequency error can be derived.

Note 1: The minimisation process, to derive the RF error can be supported by post-FFT operations. However the minimisation process defined in the pre-FFT domain comprises all acquired samples (i.e. it does not exclude the samples inbetween the FFT widths and it does not exclude the bandwidth outside the transmission bandwidth configuration).

Note 2: The algorithm would allow to derive carrier frequency error and sample frequency error of the TX under test separately. However there are no requirements for sample frequency error. Hence the algorithm models the RF and the sample frequency commonly (not independently). It returns one error and does not distinguish between both.

After this process, the samples $z(v)$ are called $z^0(v)$.

H.4 Timing of the FFT window

The FFT window length is *FFT size* samples per OFDM symbol. For FDD, there are $14N_{dl}$ FFTs performed where N_{dl} is the number of slots in a 10 ms measurement interval, and the number of symbols in a slot for normal CP is 14.

The position in time for the FFT shall be determined.

For the example used in the annex, the FFT window length is 4096 samples per OFDM symbol. 280 FFTs (i.e. 1,146,880 samples) cover less than the acquired number of samples (i.e. 1,228,800 samples in 10 ms).

In an ideal signal, the FFT may start at any instant within the cyclic prefix without causing an error. The TX filter, however, reduces the window. The EVM requirements shall be met within a window $W < CP$. There are three different instants for FFT:

- Centre of the reduced window, called $\Delta\tilde{c}$,

- $\Delta c - W/2$, and
- $\Delta c + W/2$.

The value of EVM window length W is obtained from tables 6.5.3.5-2 for 15 kHz SCS, 6.5.3.5-3 for 30 kHz SCS and 6.5.3.5-4 for 60 kHz SCS and the transmission bandwidth.

The SAN shall transmit a signal according to the test models intended for EVM. The demodulation reference signal of the second ideal signal shall be used to find the centre of the FFT window.

The timing of the measured signal is determined in the pre-FFT domain as follows, using $z^0(v)$ and $i_2(v)$:

1. The measured signal is delay spread by the TX filter. Hence the distinct borders between the OFDM symbols and between data and CP are also spread and the timing is not obvious.
2. In the ideal signal $i_2(v)$, the timing is known.

Correlation between bullet (1) and (2) will result in a correlation peak. The meaning of the correlation peak is approximately the "impulse response" of the TX filter.

3. The meaning of "impulse response" assumes that the autocorrelation of the ideal signal $i_2(v)$ is a Dirac peak and that the correlation between the ideal signal $i_2(v)$ and the data in the measured signal is 0. The correlation peak, (the highest, or in case of more than one highest, the earliest) indicates the timing in the measured signal.

The number of samples used for FFT is reduced compared to $z^0(v)$. This subset of samples is called $z'(v)$.

From the acquired samples one timing can be derived.

The timing of the centre $\Delta\tilde{c}$ is determined according to the cyclic prefix length of the OFDM symbols. For normal CP, there are two values for $\Delta\tilde{c}$ in a 1 ms period:

- $\Delta\tilde{c} = \text{length of cyclic prefix} / 2$,
- $\Delta\tilde{c} = \text{Longer CP length} - \text{length of cyclic prefix} / 2$,

Where the length of cyclic prefix is obtained from table 6.5.3.5-2 for 15 kHz SCS, table 6.5.3.5-3 for 30 kHz SCS and table 6.5.3.5-4 for 60 kHz SCS, and the longer CP length is obtained from table H.2.4-1.

As per the example values:

- $\Delta\tilde{c} = 144$ within the CP of length 288 for OFDM symbols 1 to 13 of a slot,
- $\Delta\tilde{c} = 208 = 352 - 144$ within the CP of length 352 for OFDM symbol 0 of a slot.

H.5 Resource element TX power

Perform FFT on $z'(v)$ with the FFT window timing $\Delta\tilde{c}$. The result is called $Z'(t, f)$. The RE TX power (RETP) is then defined as:

$$RETP = |Z'(t, f)|^2 \text{SCS}$$

Where SCS is the subcarrier spacing in Hz.

From RETP the OFDM Symbol TX power (OSTP) is derived as follows:

$$OSTP = \frac{1}{N_{sym}} \sum RETP$$

Where the summation accumulates $N_{RB} N_{sc}^{RB}$ RETP values of all N_{sym} OFDM symbols that carry PDSCH and not containing PDCCH, RS or SSB within a slot.

From the acquired samples, N_{dl} values for each OSTP can be obtained and averaged where N_{dl} is the number of slots in a 10 ms measurement interval for FDD.

For the example used in the annex, $N_{dl} = 20$ and $N_{RB} = 273$.

H.6 Post-FFT equalisation

Perform $14N_{dl}$ FFTs on $z'(v)$, one for each OFDM symbol within 10 ms measurement interval with the FFT window timing to produce an array of samples, $14N_{dl}$ in the time axis t by *FFT size* in the frequency axis f .

For the example in the annex, 280 FFTs are performed on $z'(v)$. The result is an array of samples, 280 in the time axis by 4096 in the frequency axis.

The equalizer coefficients $\tilde{a}(f)$ and $\tilde{\varphi}(f)$ are determined as follows:

1. Calculate the complex ratios (amplitude and phase) of the post-FFT acquired signal $Z'(t, f)$ and the post-FFT ideal signal $I_2(t, f)$ for each demodulation reference signal, over 10 ms measurement interval. This process creates a set of complex ratios:

$$a(t, f)e^{j\varphi(t, f)} = \frac{Z'(t, f)}{I_2(t, f)}$$

2. Perform time averaging at each demodulation reference signal subcarrier of the complex ratios, the time-averaging length is 10 ms measurement interval. Prior to the averaging of the phases $\varphi(t_i, f)$ an unwrap operation must be performed according to the following definition:
 - The unwrap operation corrects the radian phase angles of $\varphi(t_i, f)$ by adding multiples of $2 * \pi$ when absolute phase jumps between consecutive time instances t_i are greater than or equal to the jump tolerance of π radians.
 - This process creates an average amplitude and phase for each demodulation reference signal subcarrier (i.e. every second subcarrier).

$$a(f) = \frac{\sum_{i=1}^N a(t_i, f)}{N}$$

and

$$\varphi(f) = \frac{\sum_{i=1}^N \varphi(t_i, f)}{N}$$

Where N is the number of demodulation reference signals time-domain locations t_i from $Z'(t, f)$ for each demodulation reference signal subcarrier f .

3. The equalizer coefficients for amplitude and phase $\hat{a}(f)$ and $\hat{\varphi}(f)$ at the demodulation reference signal subcarriers are obtained by computing the moving average in the frequency domain of the time-averaged demodulation reference signal subcarriers. The moving average window size is 19 and averaging is over the DM-RS subcarriers in the allocated RBs. For DM-RS subcarriers at or near the edge of the channel, or when the number of available DM-RS subcarriers within a set of contiguously allocated RBs is smaller than the moving average window size, the window size is reduced accordingly as per figure H.6-1.
4. Perform linear interpolation from the equalizer coefficients $\hat{a}(f)$ and $\hat{\varphi}(f)$ to compute coefficients $\tilde{a}(f)$, $\tilde{\varphi}(f)$ for each subcarrier.

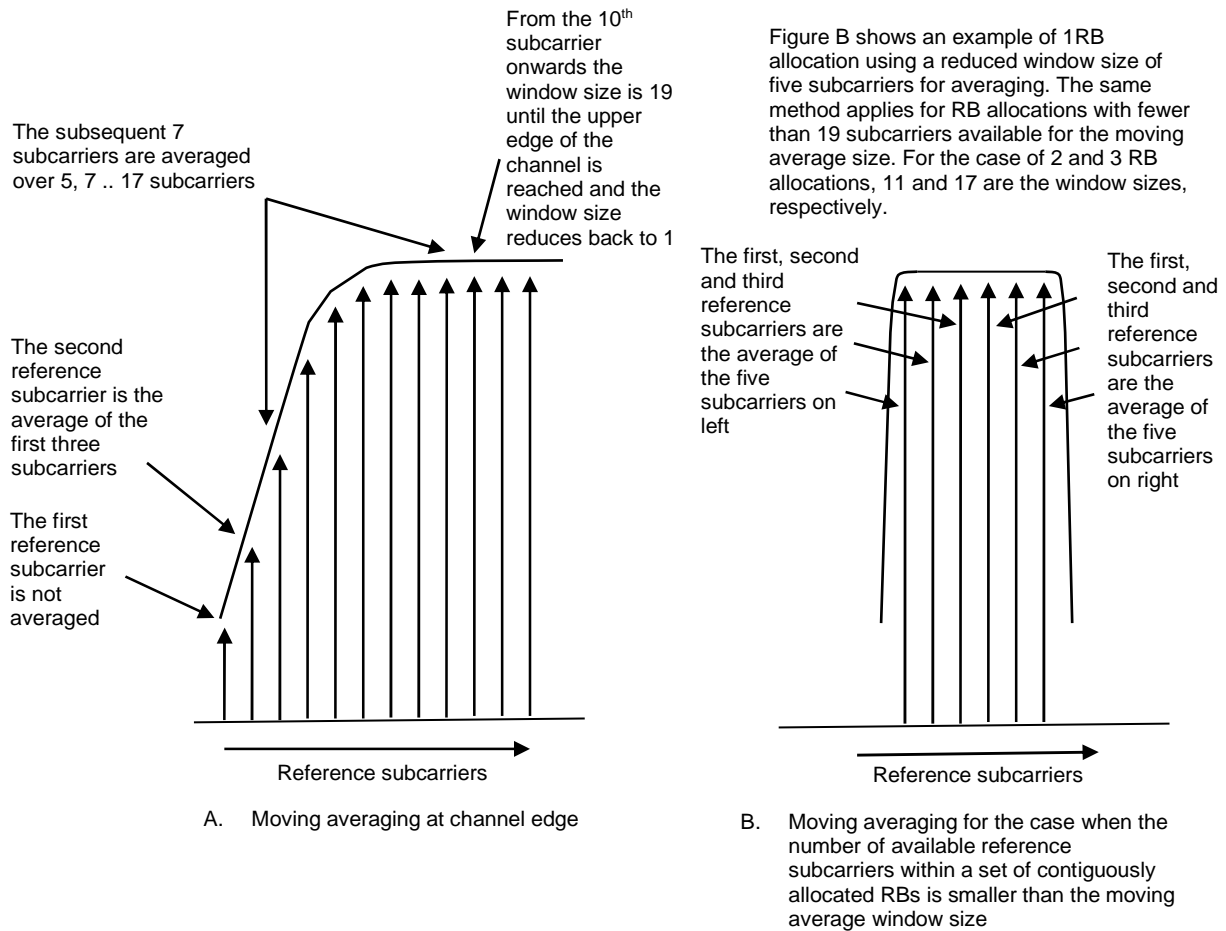


Figure H.6-1: Reference subcarrier smoothing in the frequency domain

H.7 EVM

H.7.0 General

For EVM create two sets of $Z_{eq}'(t, f)$, according to the timing $(\Delta c - W/2)$ and $(\Delta c + W/2)$, using the equalizer coefficients from H.6.

The equivalent ideal samples are calculated from $i_1(v)$ (annex H.2.2) and are called $I(t, f)$.

The EVM is the difference between the ideal signal and the equalized measured signal.

$$EVM = \sqrt{\frac{\sum_{t \in T} \sum_{f \in F(i)} |Z_{eq}'(t, f) - I(t, f)|^2}{\sum_{t \in T} \sum_{f \in F(i)} |I(t, f)|^2}}$$

Where:

- T is the set of symbols with the considered modulation scheme being active within the slot,
- $F(t)$ is the set of subcarriers within the resource blocks with the considered modulation scheme being active in symbol t ,
- $I(t, f)$ is the ideal signal reconstructed by the measurement equipment in accordance with relevant test models,
- $Z_{eq}'(t, f)$ is the equalized signal under test.

NOTE: Although the basic unit of measurement is one slot, the equalizer is calculated over the entire 10 ms measurement interval to reduce the impact of noise in the reference signals.

H.7.1 Averaged EVM (FDD)

EVM is averaged over all allocated downlink resource blocks with the considered modulation scheme in the frequency domain, and a minimum of N_{dl} slots where N_{dl} is the number of slots in a 10 ms measurement interval. The averaging in the time domain equals the N_{dl} slot duration of the 10 ms measurement interval from the equalizer estimation step.

$$\overline{EVM}_{\text{frame}} = \sqrt{\frac{1}{\sum_{i=1}^{N_{dl}} N_i} \sum_{i=1}^{N_{dl}} \sum_{j=1}^{N_i} EVM_{i,j}^2}$$

Where N_i is the number of resource blocks with the considered modulation scheme in slot i .

The EVM requirements shall be tested against the maximum of the RMS average at the window W extremities of the EVM measurements:

Thus $\overline{EVM}_{\text{frame},l}$ is calculated using $\tilde{t} = \Delta\tilde{t}_l$ in the expressions above and $\overline{EVM}_{\text{frame},h}$ is calculated using $\tilde{t} = \Delta\tilde{t}_h$ in the $\overline{EVM}_{\text{frame}}$ calculation where (l and h , low and high; where low is the timing ($\Delta c - W/2$) and high is the timing ($\Delta c + W/2$)).

Thus:

$$\overline{EVM} = \max(\overline{EVM}_{\text{frame},l}, \overline{EVM}_{\text{frame},h})$$

The resulting \overline{EVM} is compared against the limit.

Annex I (informative): Change history

Change history							
Date	Meeting	TDoc	CR	Rev	Cat	Subject/Comment	New version
2022-05	RAN4#103 -e	R4-2208251				Specification Skeleton	0.0.1
2022-08	RAN4#104 -e	R4-2211688				Agreed Text Proposal in RAN4 #104-e: R4-2214833 , "TP for TS 38.181 – Clause 6.6.3 ACLR" R4-2214834 , "TP for TS 38.181 – Clause 6.5.3 EVM"	0.1.0

2022-10	RAN4#104 -bis-e	R4-2215802			<p>R4-2215339, "TP for TS 38.181 - Clause 6.5.3 EVM" R4-2215397, "TP for TS 38.181: Clause 1 Scope, Clause 2 References and Clause 3 Definition of terms, symbols and abbreviations" R4-2215399, "TP for TS 38.181: Clause 4.6 Manufacturer declarations" R4-2215401, "TP for TS 38.181: Clause 4.9 RF channels and test models" R4-2215402, "TP for TS 38.181: Clause 6.1 General and Clause 6.2 Satellite Access Node output power" R4-2215403, "TP for TS 38.181: Clause 7.1 General and Clause 7.2 Reference sensitivity level" R4-2215404, "TP for TS 38.181: Clause 9.1 General" R4-2215405, "TP for TS 38.181: Clause 10.1 General and Clause 10.2 OTA sensitivity" R4-2215406, "TP for TS 38.181: A.1 FRCs for RF Rx requirement (QPSK, R=1/3) and A.2 FRCs for dynamic range (16QAM, R=2/3)" R4-2215408, "TP for TS 38.181: Annex H In-channel Tx test" R4-2215409, "TP for TS 38.181: Annex I Transmitter spatial emissions declaration" R4-2215410, "TP for TS 38.181: Annex K Measuring noise close to the noise-floor" R4-2216489, "TS 38.181: TP on clause 5" R4-2216563, "TP for TS 38.181: Section 7.6~7.8" R4-2216565, "TP for TS 38.181: Section 10.4" R4-2216566, "TP for TS 38.181: Section 10.7~10.9" R4-2217321, "TP for TS 38.181 - Clause 6.6.5 Spurious Emissions" R4-2217322, "TP for TS 38.181 - Annex D" R4-2217323, "TP for TS 38.181: Clause 4.1 Measurement uncertainties and test requirements" R4-2217324, "TP for TS 38.181: Annex F Calibration" R4-2217325, "TP to TS 38.181 – Clauses 4.10 and 4.11" R4-2217326, "TP to TS 38.181 – Clause 7.4 In-band selectivity and blocking" R4-2217333, "TP for TS 38.181: Section 6.3" R4-2217334, "TP for TS 38.181: Section 7.3" R4-2217335, "TP for TS 38.181: Section 9.4" R4-2217336, "TP to TS 38.181: General test conditions and declarations (4.2 - 4.5)" R4-2217337, "TP to TS 38.181: occupied bandwidth (6.6.1, 6.6.2)" R4-2217338, "TP to TS 38.181: Operating band unwanted emissions (6.6.4)" R4-2217339, "TP to TS 38.181: Out-of-band blocking (7.5)". R4-2217340, "TP to TS 38.181: OTA occupied bandwidth (9.7.1, 9.7.2)" R4-2217341, "TP to TS 38.181: OTA ACLR (9.7.3)" R4-2217342, "TP to TS 38.181: OTA OBUE (9.7.4)" R4-2217343, "TP to TS 38.181: OTA out-of-band blocking (10.6)" R4-2217503, "TP for TS 38.181: Clause 4.7 Test configurations and Clause 4.8 Applicability of requirements" R4-2217508, "TP to TS 38.181 – Clause 10.5 In-band selectivity and blocking" R4-2217350, "pCR on FRC of NTN SAN performance requirements (TS38.181, Rel-17)" R4-2217354, "pCR on NTN SAN PUSCH performance requirements (TS38.181, Rel-17)" R4-2217357, "pCR on SAN PUCCH radiated performance requirements (TS38.181, Rel-17)" R4-2217358, "pCR on NTN SAN PUCCH performance requirements (TS38.181, Rel-17)". R4-2217359, "pCR on SAN PRACH radiated performance requirements (TS38.181, Rel-17)" R4-2217361, "pCR on NTN SAN PRACH performance requirements (TS38.181, Rel-17)"</p>	0.2.0
---------	--------------------	------------	--	--	--	-------

2022-11	RAN4#105	R4-2218455				<p>R4-2219833, "TP to TS 38.181: Clause 10.3 OTA Reference sensitivity"</p> <p>R4-2219835, "TS 38.181: TP on Annex C"</p> <p>R4-2220230, "TP for TS 38.181 - Annex D Updates"</p> <p>R4-2220231, "TP for TS 38.181: TP on Annex B"</p> <p>R4-2220232, "TP to TS 38.181: Annex E"</p> <p>R4-2220234, "TP for TS 38.181 - Clause 6.5 Transmitted signal quality"</p> <p>R4-2220235, "TP for TS 38.181: Remove co-location requirement related content"</p> <p>R4-2220236, "TP for TS 38.181 - Clause 9.6 OTA transmitted signal quality"</p> <p>R4-2220237, "TP for TS 38.181 - Clause 9.7.5 OTA transmitter spurious emissions"</p> <p>R4-2220238, "TP for TS 38.181 - Clauses 9.2 Radiated transmit power and 9.3 OTA SAN output power"</p> <p>R4-2220290, "TP for TS 38.181: Clause 4.1.2 Acceptable uncertainty of Test System"</p> <p>R4-2220292, "TP for TS 38.181 – DUT size for applicable MU values"</p> <p>R4-2220293, "TP to TS 38.181: Annex J"</p> <p>R4-2220305, "TP for TS 38.181 – Corrections to Clause 6.6 Unwanted emissions"</p> <p>R4-2220306, "TP for TS 38.181 - Corrections to Clause 9.7 OTA unwanted emissions"</p> <p>R4-2219665, "pCR on FRC of NTN SAN performance requirements (TS38.181, Rel-17)"</p> <p>R4-2220162, "TP for TS 38.181 - Clauses 8.1 and 11.1 General performance parts"</p> <p>R4-2220165, "pCR on SAN PUSCH conducted performance requirements (TR38.181, Rel-17)"</p> <p>R4-2220167, "pCR on NTN SAN PUSCH performance requirements (TS38.181, Rel-17)"</p> <p>R4-2220169, "pCR on SAN PUCCH radiated performance requirements (TR38.181, Rel-17)"</p> <p>R4-2220170, "pCR on NTN SAN PUCCH performance requirements (TS38.181, Rel-17)"</p> <p>R4-2220171, "pCR on SAN PRACH radiated performance requirements (TR38.181, Rel-17)"</p> <p>R4-2220173, "pCR on NTN SAN PRACH performance requirements (TS38.181, Rel-17)"</p>	0.3.0
2022-12	RAN#98-e	RP-222880				Presented to TSG RAN for approval (specification v1.0.0)	1.0.0

Change history							
Date	Meeting	TDoc	CR	Rev	Cat	Subject/Comment	New version
2022-12	RAN#98-e					MCC - Editorial changes	1.0.1
2023-03	RAN4#106	R4-2300604				<p>R4-2302937, "TP for TS 38.181: On general and annex parts for RF"</p> <p>R4-2300571, "TP for TS 38.181: On conducted transmitter and receiver characteristics in clause 6 and 7"</p> <p>R4-2300572, "TP for TS 38.181: On radiated transmitter and receiver characteristics in clause 9 and 10"</p> <p>R4-2302938, "TP to TS 38.181: Multiple corrections (test requirements, declarations, annexes)"</p> <p>R4-2302867, "TP for TS 38.181 - Clause 4.1 Measurement uncertainties and test requirements"</p> <p>R4-2302845, "pCR on NTN SAN performance requirements (TS38.181, Rel-17)"</p>	1.0.2
2023-03	RAN#99	RP-230423				Presented to TSG RAN for approval (specification v2.0.0)	2.0.0

Change history							
Date	Meeting	TDoc	CR	Rev	Cat	Subject/Comment	New version
2023-03	RAN#99					Approved by plenary – Rel-17 spec under change control	17.0.0
2023-06	RAN#100	RP-231344	0003	1	F	Corrections to SAN TS 38.181	17.1.0
2023-09	RAN#101	RP-232494	0004		F	CR for TS 38.181, Correction on antenna connector	17.2.0
2023-09	RAN#101	RP-232494	0005	1	F	CR for TS 38.181, Correction on out-of-band emissions	17.2.0
2023-09	RAN#101	RP-232494	0006	1	F	CR to 38.181: Out-of-band emissions requirements	17.2.0
2023-09	RAN#101	RP-232494	0007	1	F	CR to 38.181: Application of unwanted emissions requirements	17.2.0
2023-09	RAN#101	RP-232494	0008		F	CR to 38.181: Characteristic of interfering signal	17.2.0
2023-09	RAN#101	RP-232494	0010		F	[NR_NTN_solutions-Perf] CR on NTN SAN performance requirements (TS38.181, Rel-17)	17.2.0
2023-12	RAN#102	RP-233349	0011	1	F	CR for TS 38.181, Correction on out-of-band emissions	17.3.0

Change history							
Date	Meeting	TDoc	CR	Rev	Cat	Subject/Comment	New version
2023-12	RAN#102	RP-233366	0012	1	B	CR for TS 38.181, On introduction of the satellite L-/S-band	18.0.0
2024-03	RAN#103	RP-240570	0014		A	(NR_NTN_solutions-Perf) CR for TS 38.181, Correction on general SAN transmitter spurious emission limits in FR1	18.1.0
2024-06	RAN#104	RP-241387	0018		A	CR for 38.181 on FR1 PUCCH demodulation requirements	18.2.0
2024-06	RAN#104	RP-241429	0019	1	B	NTN enhancement - Running CR to TS 38.181	18.2.0
2024-06	RAN#104	RP-241387	0021		A	(NR_NTN_solutions-Perf) CR to 38.181: Correction on FRCs in conducted demod requirement	18.2.0
2024-06	RAN#104	RP-241429	0022	2	F	CR to TS 38.181: Band-agnostic OBUE requirement	18.2.0
2024-06	RAN#104	RP-241387	0024		A	CR to TS 38.181: Corrections for non-regenerative payload and gateway	18.2.0
2024-06	RAN#104	RP-241387	0026		A	CR to TS 38.181: test condition corrections	18.2.0
2024-06	RAN#104	RP-241387	0028		A	CR to TS 38.181: Correction for OTA ICS test setup	18.2.0
2024-06	RAN#104	RP-241387	0030		A	CR to TS 38.181: removal of [] for MU/TT values	18.2.0
2024-06	RAN#104	RP-241429	0031		B	Big CR for 38.181 on NR NTN enhancement SAN demodulation requirements	18.2.0
2024-09	RAN#105	RP-242179	0032	1	F	(NR_NTN_enh-Perf) CR on PUSCH demodulation requirements for 38.181	18.3.0
2024-09	RAN#105	RP-242179	0034		F	(NR_NTN_enh-Perf) CR for TS 38.181, Correction on general SAN transmitter spurious emission limits for SAN type 2-O	18.3.0
2024-09	RAN#105	RP-242182	0036		A	CR for 38.181 on Demod FR1-NTN manufactory declaration, applicability rule, FRC alignments and propagation corrections	18.3.0
2024-09	RAN#105	RP-242181	0038		A	NR_NTN_solutions-Core) CR for 38.181 on RF FR1-NTN FRC alignments	18.3.0
2024-09	RAN#105	RP-242177	0039		F	(NR_NTN_enh-Core) CR to 38.181 correction on FRC and naming alignment	18.3.0
2024-09	RAN#105	RP-242179	0040	1	F	(NR_NTN_enh-Perf) CR to 38.181 correction on FRC and naming alignment	18.3.0
2024-09	RAN#105	RP-242179	0042	1	F	CR on NTN OTA performance requirements for PUCCH	18.3.0
2024-09	RAN#105	RP-242179	0043	1	F	CR on performance requirements for PUSCH in TS 38181	18.3.0

History

Document history		
V18.1.0	May 2024	Publication
V18.2.0	August 2024	Publication
V18.3.0	October 2024	Publication